

# HP-3 Recessed Spackle & Visible Flange Installation Instructions

## Overview

### NOTES

- If luminaire contains a sensor or socket refer to the appropriate Addendum.
- All power connections should be installed according to local/national codes by a Certified Electrician.
- This installation requires **proper support** as each luminaire is being installed.
- **DO NOT attempt to join luminaires together on the floor.**  
Damage may result when lifted.



HELPFUL  
VIDEOS



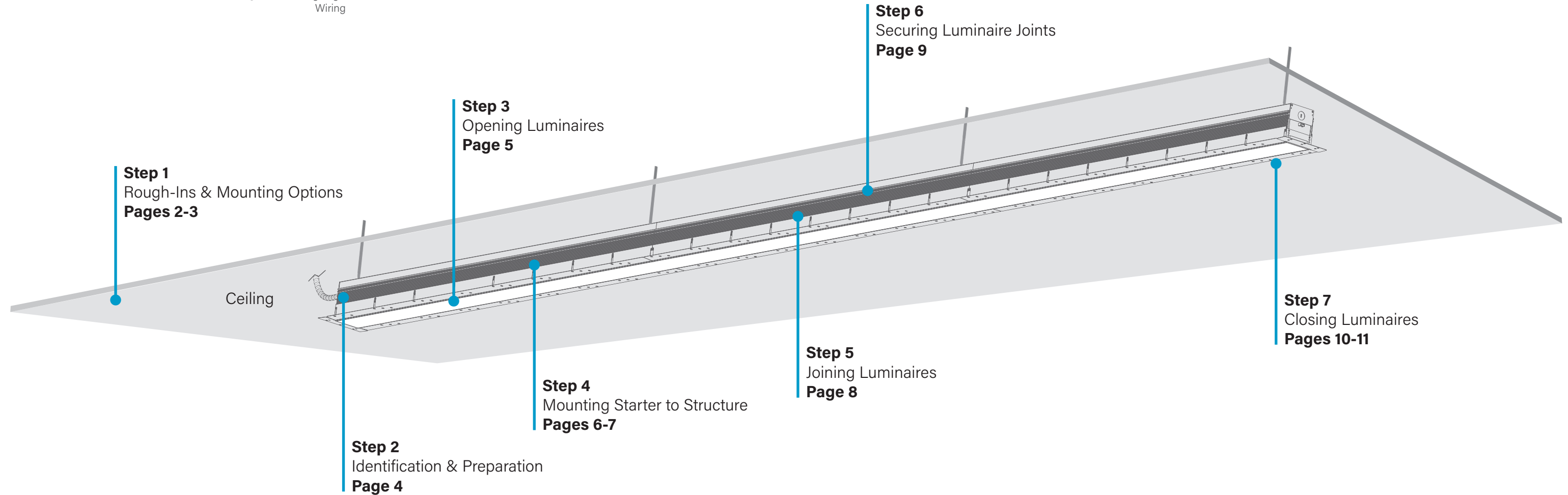
Effortless  
Access



0-10V  
Dimming



Simple  
Plug-Together  
Wiring



# HP-3 Recessed Spackle & Visible Flange Installation Instructions

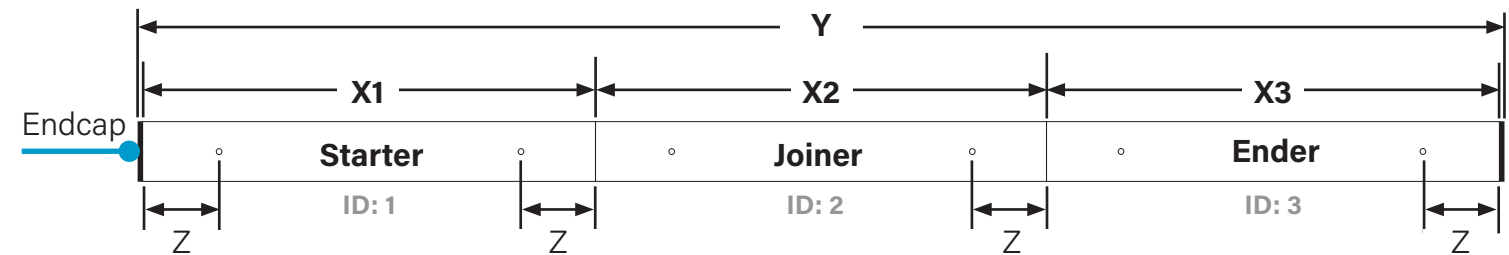
## Step 1 - Rough-Ins & Mounting Options

### Mount Starter to Structure

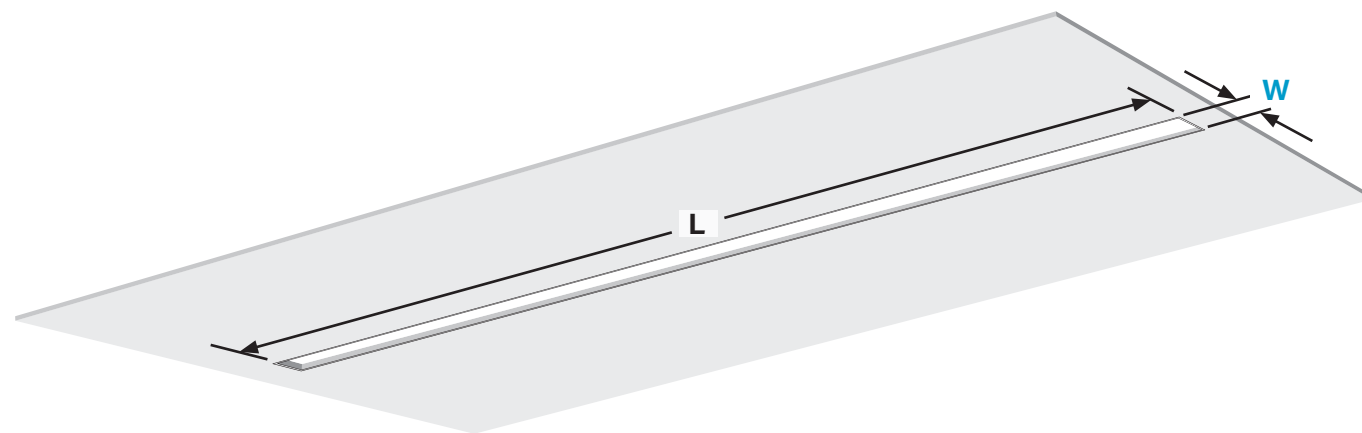
**X** = Luminaire section length (**Does not include** endcaps)  
**Y** = Total run length of luminaire (**Includes** 1/8" for **BOTH** endcaps)  
**Z** = Mounting hole location  
**Endcap** = 1/16"

	<b>Z = Mounting Hole Location</b> (Does not include endcaps)
HP-3	5"

Refer to Record Drawings and building plans to determine exact mounting, suspension points, and power feed locations.



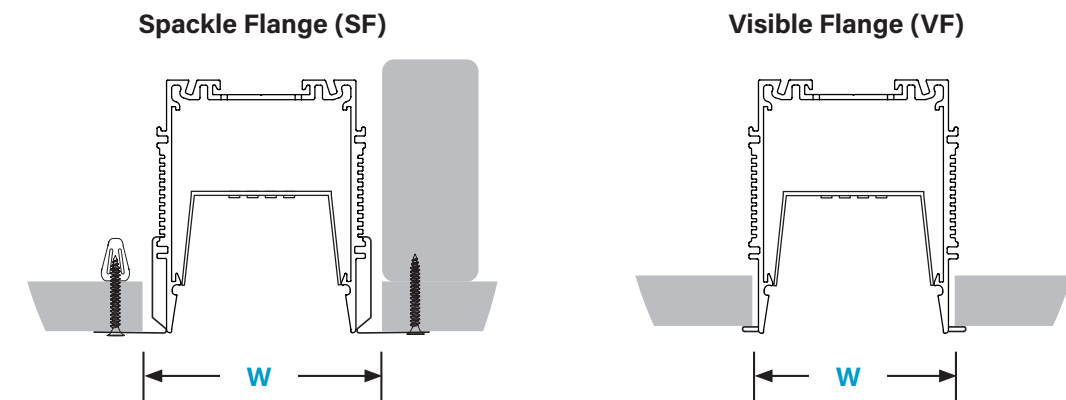
### Rough-In Lengths



	<b>L = Total Run Rough-In Length*</b>	
	<b>Spackle Flange</b>	<b>Visible Flange</b>
HP-3	$Y + 3/4"$	$Y + 1/2"$

\* Tolerance +/- 1/16"

### Rough-In Widths



	<b>W = Rough-In Width*</b>	
	<b>Spackle Flange</b>	<b>Visible Flange</b>
HP-3	3-7/8"	3-1/4"

\* Tolerance +/- 1/16"

- Use rough-in **Length & Width** dimensions and Record Drawings to determine rough-in measurements.
- Build wall/ceiling with rough-in according to rough-in dimensions.
- **CRITICAL:** Drywall or weak paneling must be secured to blocking (studs) around rough-in opening in the wall/ceiling.

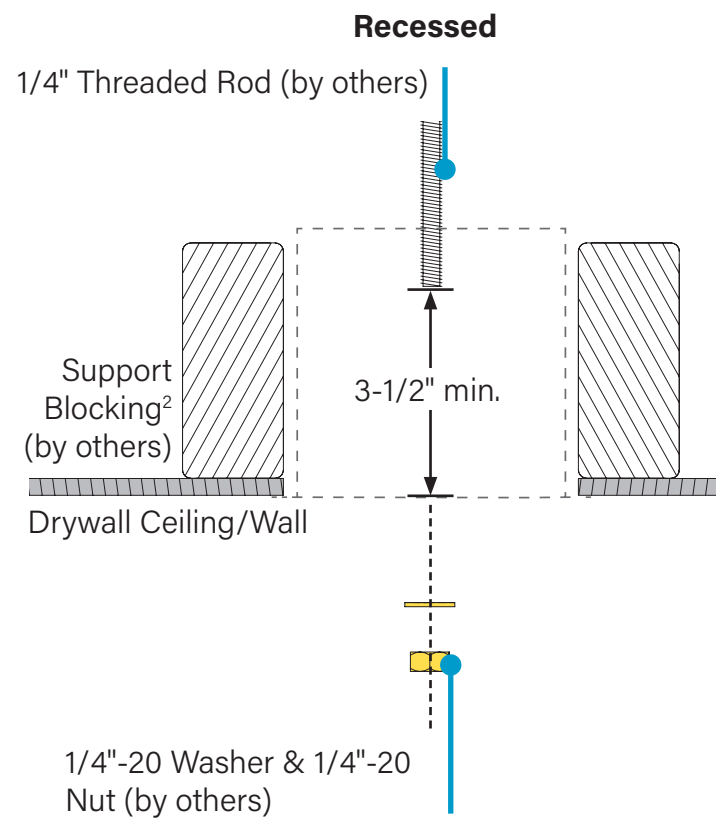
**CONTINUED**

# HP-3 Recessed Spackle & Visible Flange Installation Instructions

## Step 1 - Rough-Ins & Mounting Options

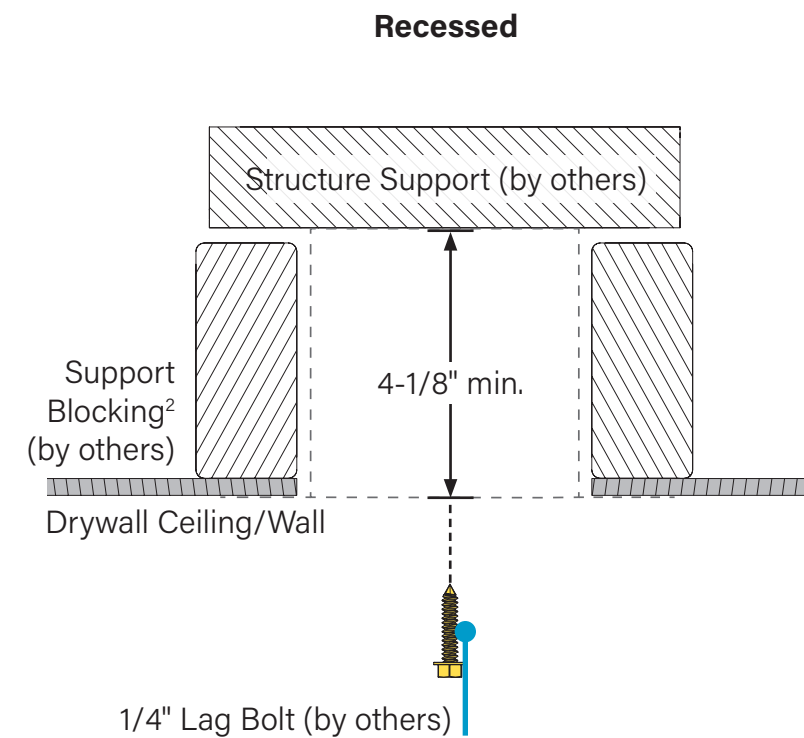
### Mounting Options

#### Option 1 - Mount to Threaded Rod

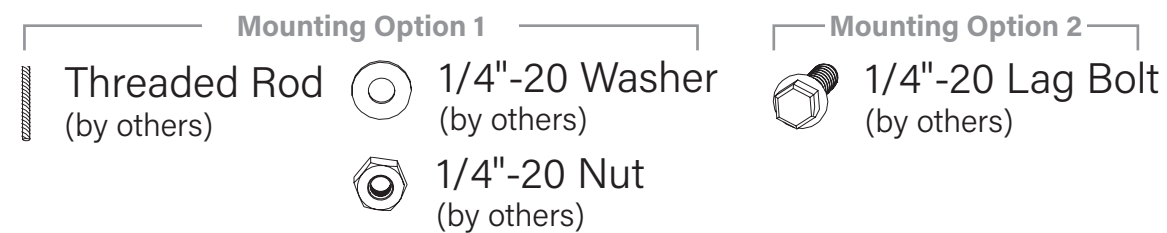


- Luminaire mounting holes sized for 1/4"-20 threaded rod.
- Recessed Distance from threaded rod to wall/ceiling surface<sup>1</sup> must be a minimum of 3-1/2".
- Refer to Record Drawings to determine mounting hole locations on luminaires and install threaded rods to structure.

#### Option 2 - Mount to Structure



- Distance from support block to wall/ceiling surface<sup>1</sup> must be a minimum of 4-1/8".
- Refer to Record Drawings to determine mounting hole locations on luminaires and install support blocking<sup>2</sup> to structure.



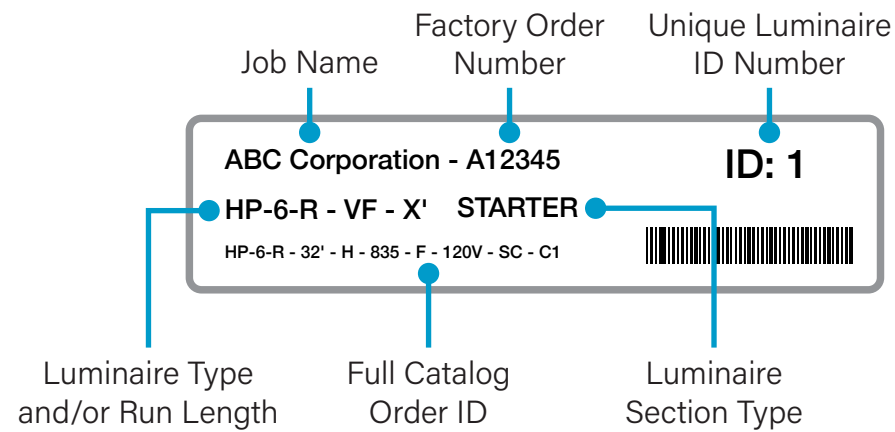
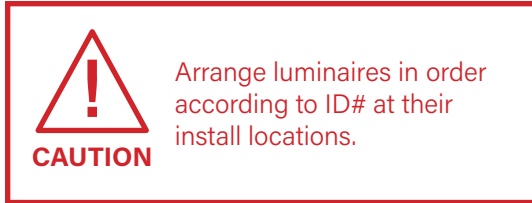
<sup>1</sup> Wall/ceiling surface = drywall, wood, concrete or masonry, metal panels, tile, etc.

<sup>2</sup> Support blocking = Wooden beams/studs, sheet metal framing beams, steel beams, concrete beams, etc. Use hardware appropriate to the beam material.

# HP-3 Recessed Spackle & Visible Flange Installation Instructions

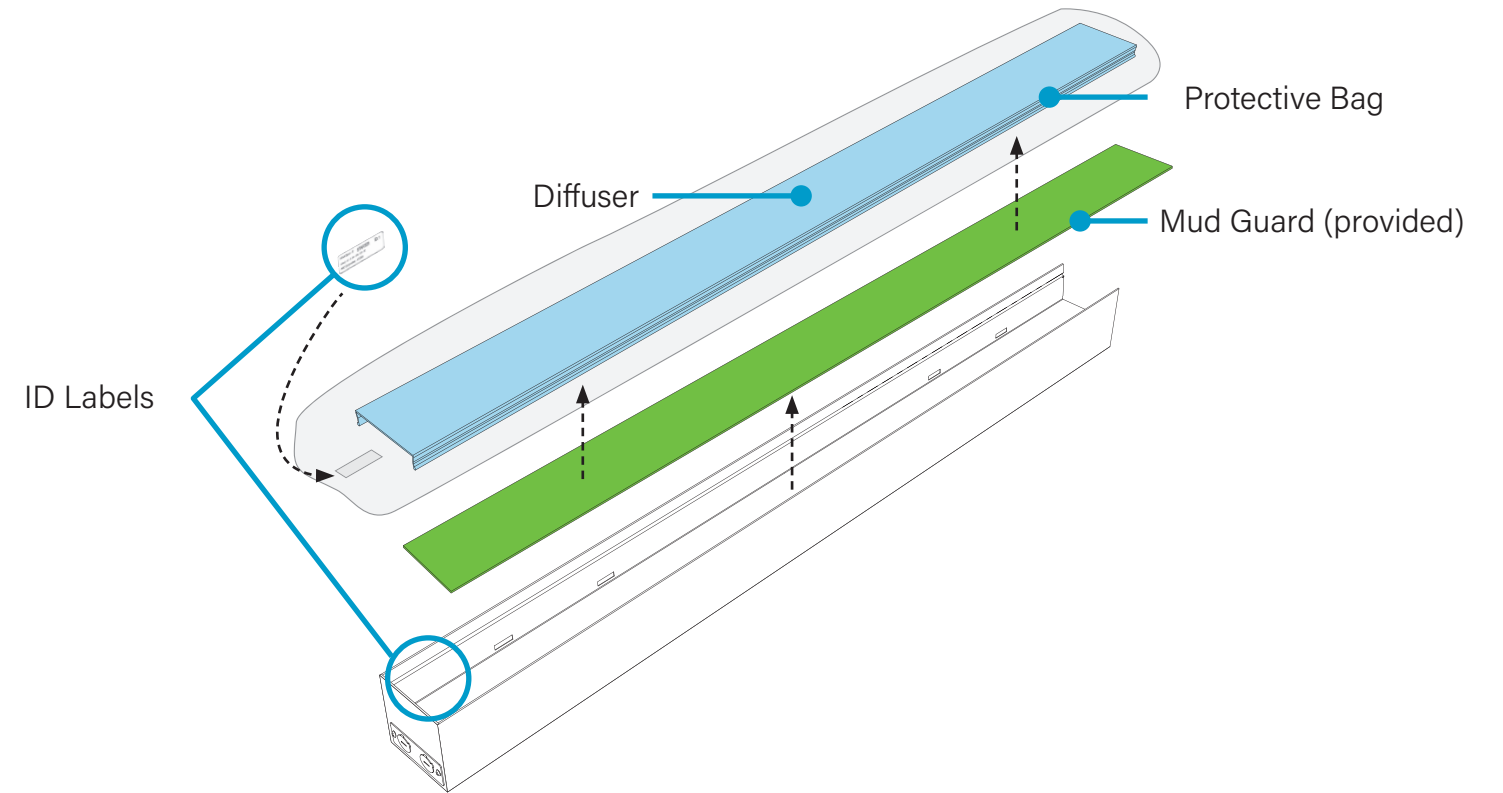
## Step 2 - Identification & Preparation

### A. Identify Luminaires



- Identify all luminaires by their ID label that can be found on the box, on the diffuser, and inside the luminaire.
- **NOTE:** Exact location of labels in these areas may vary.
- Remove all luminaires from their box.
- Refer to Record Drawings that can be found in the hardware kit.

### B. Remove Diffusers



- Carefully remove all diffusers, keeping them inside their protective bags.
- Set aside all diffusers to prevent from getting dirty or damaged.
- Ensure diffusers can be clearly identified back to their corresponding luminaire.
- **CAUTION (Spackle Flange Only):** Carefully remove "Mud Guards" and keep them as they will be reinstalled in Step 7, B.

### Kitted Hardware

- Finelite has provided items listed here, with their Finelite part numbers. These items can be found in separate boxes shipped with the luminaire.
- Account for all parts and set aside until they are needed.
- All other hardware needed for this installation will be by others.



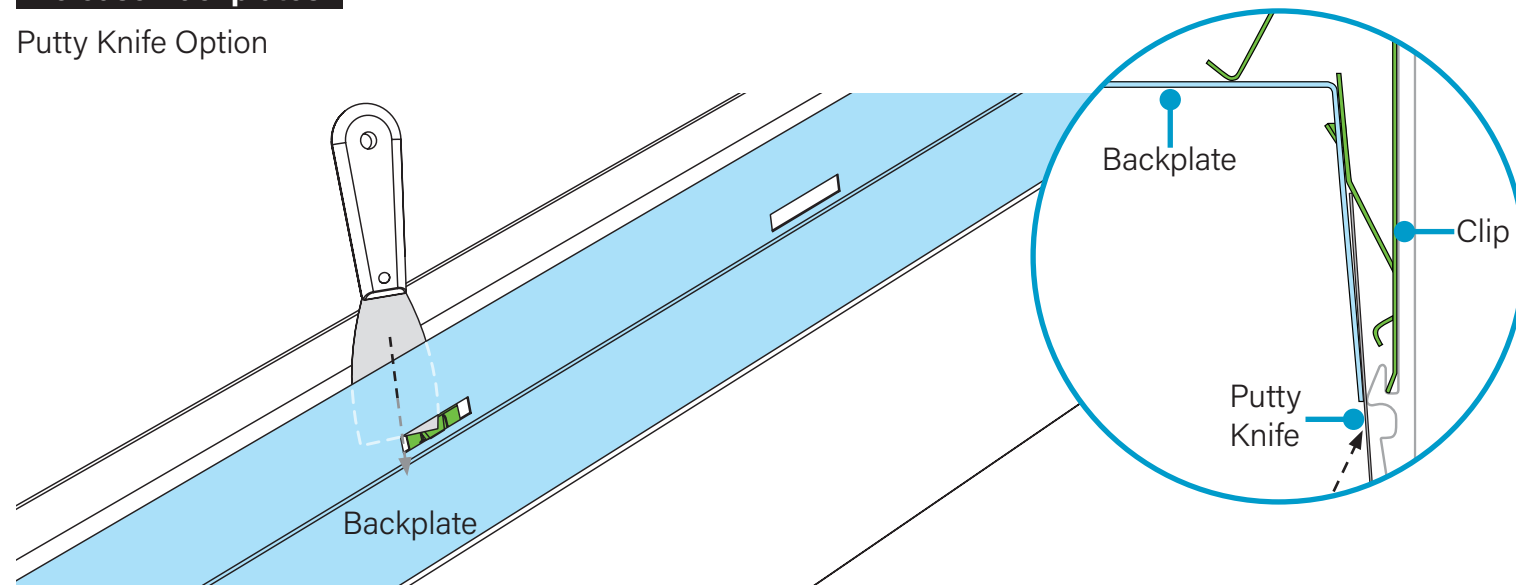
**#8-18 x 1/4" Screws**  
Part# 69026  
**Mounting Starter to Structure**  
p. 6, Step 4

# HP-3 Recessed Spackle & Visible Flange Installation Instructions

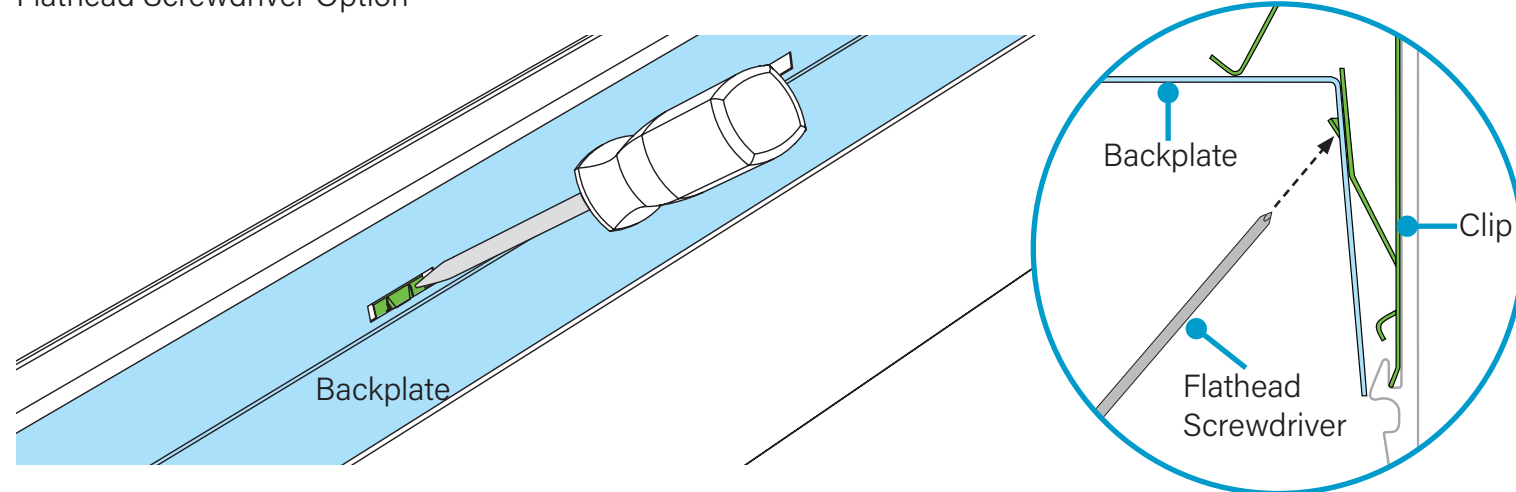
## Step 3 - Opening Luminares

### Release Backplates

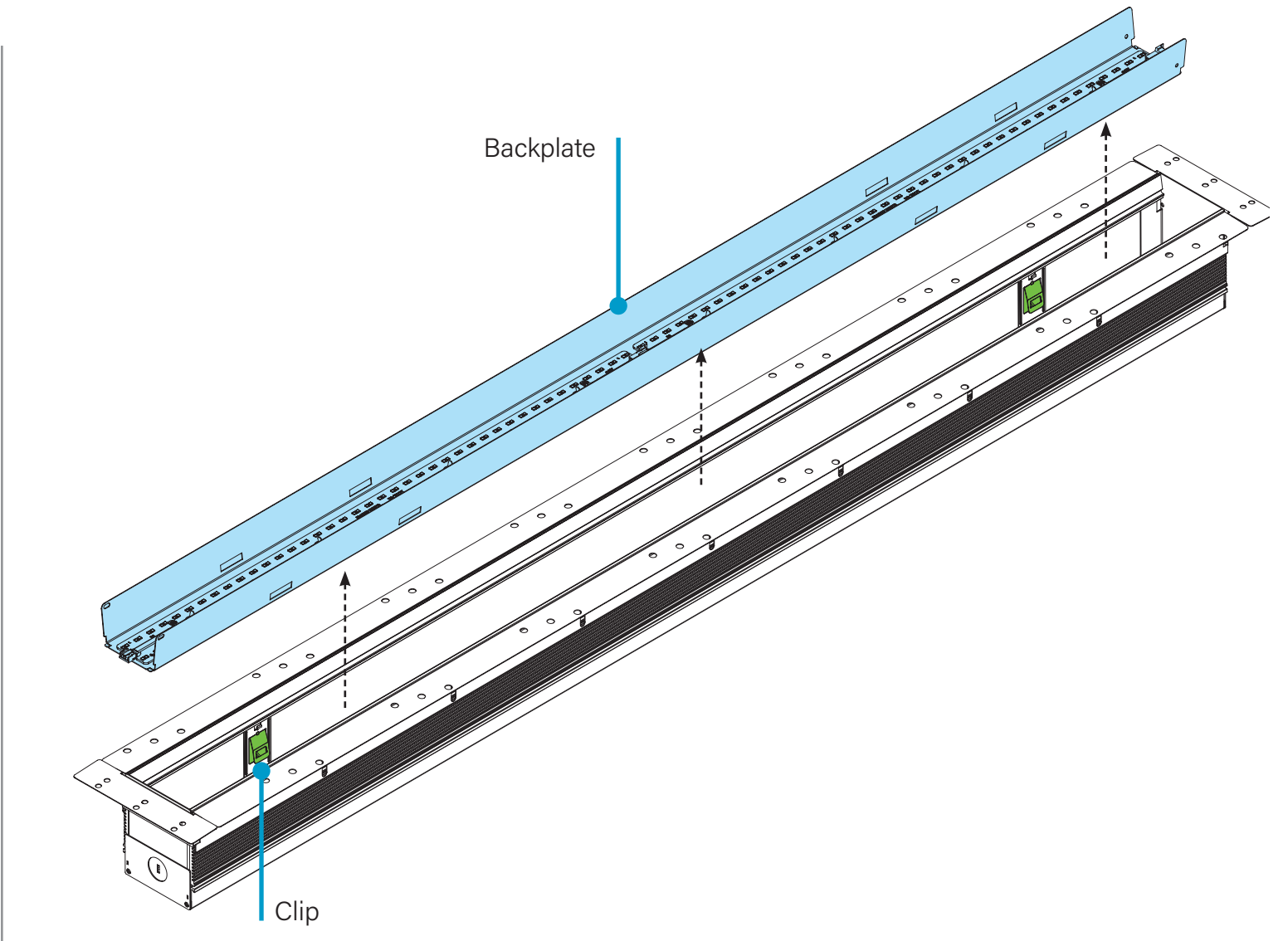
Putty Knife Option



Flathead Screwdriver Option



- Open all backplates for access to mounting points.
- Release the backplates from clips by sliding the blade of a putty knife behind backplate edges.
- To use a flathead screwdriver: From inside backplate, press end of screwdriver against the clip until the backplate is released.



- Carefully let the backplates hang from luminaire body.

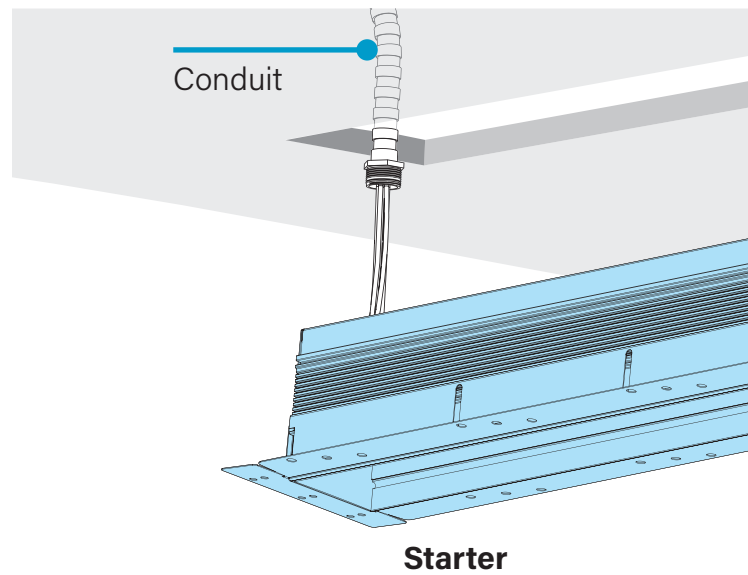


Effortless  
Access

# HP-3 Recessed Spackle & Visible Flange Installation Instructions

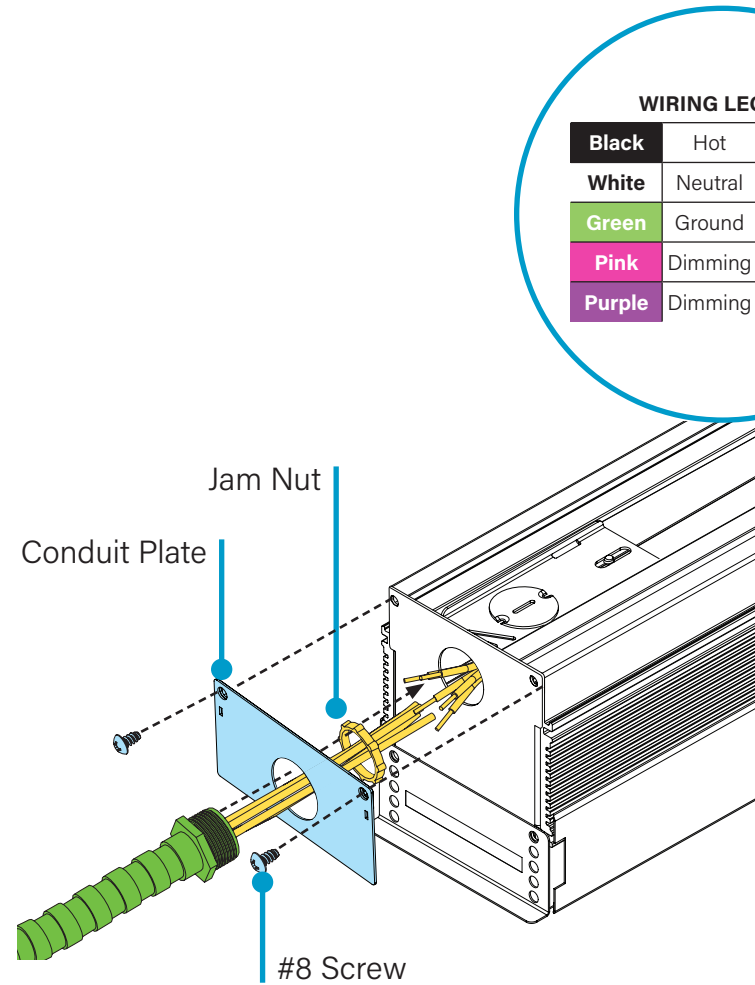
## Step 4 - Mounting Starter to Structure

### A. Make Electrical Connections



- **FOR SENSOR:** If luminaire contains a sensor at endcap, refer to page 2 of appropriate Addendum before Mounting Starter to Structure.
- While properly supporting luminaire, maneuver luminaire near wall/ceiling opening.
- Make electrical connections at **ENDCAP**, at **TOP** or with a **SPLICE BOX**.

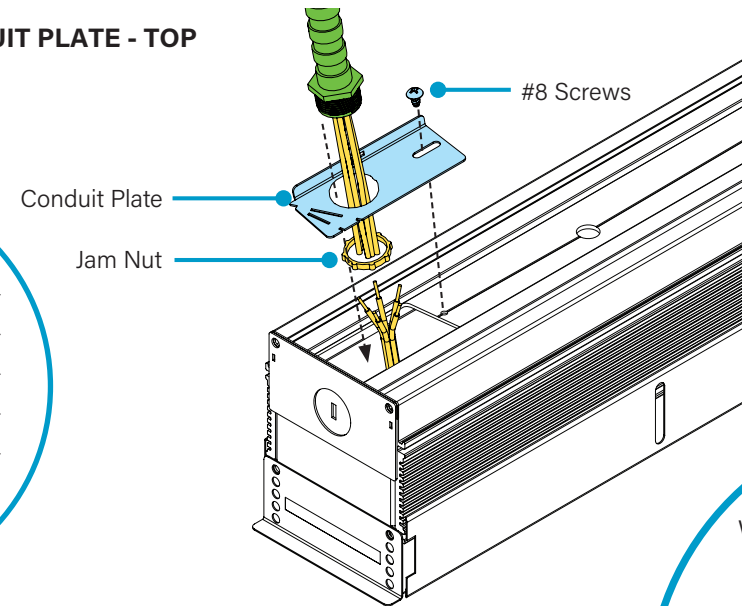
### B. Make Electrical Connections



#### CONDUIT PLATE - ENDCAP (Standard)

- Remove two screws holding conduit plate.
- Install conduit and jam nut onto conduit plate.
- Wire-nut electrical connections. See wiring legend above.
- Reinstall conduit plate and screws. Do not damage any wires.

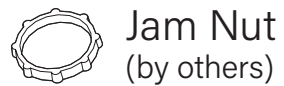
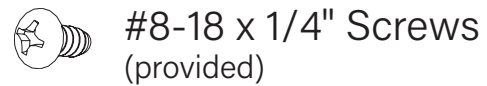
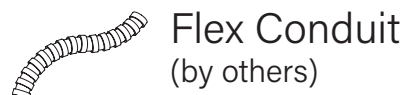
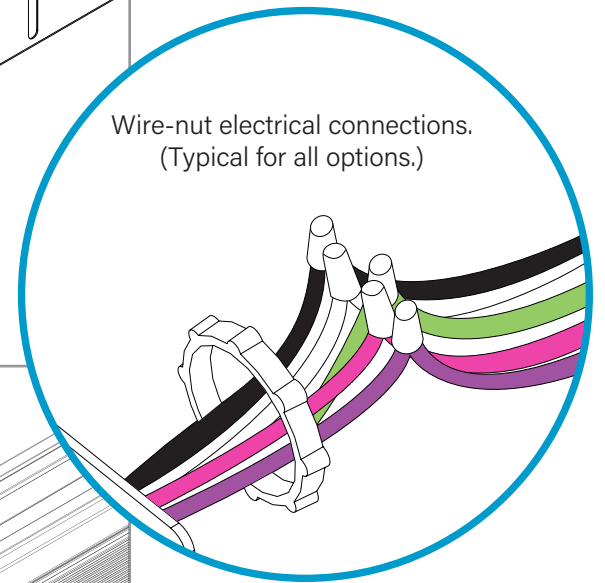
#### CONDUIT PLATE - TOP



- Remove screw holding conduit plate.
- Install conduit and nut onto conduit plate.
- Wire-nut electrical connections. See wiring legend above.
- Reinstall conduit plate and screw. Do not damage any wires.

#### CONDUIT KO - TOP

- Install conduit and nut onto KO.
- Wire-nut electrical connections. See wiring legend above.



CONTINUED

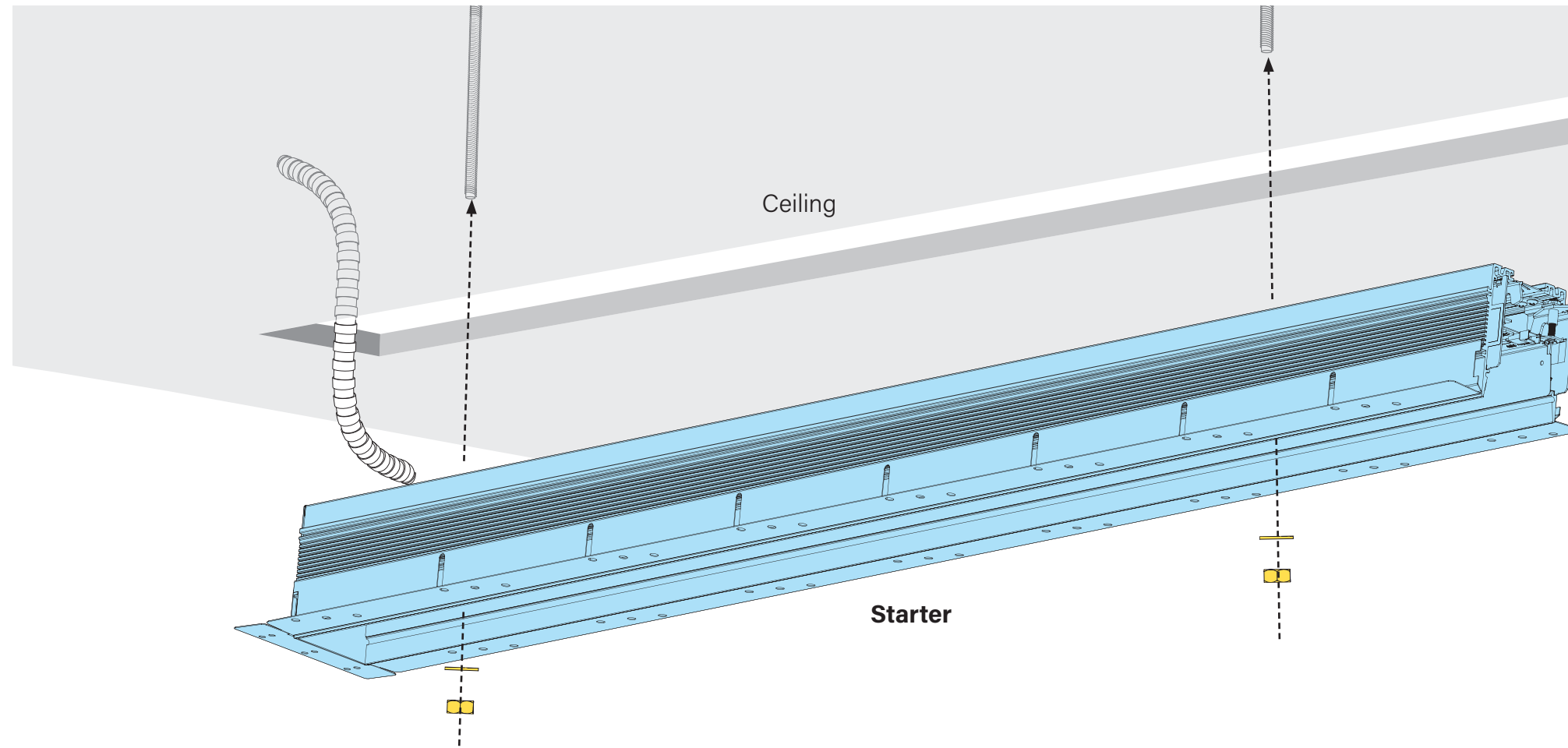


0-10V  
Dimming

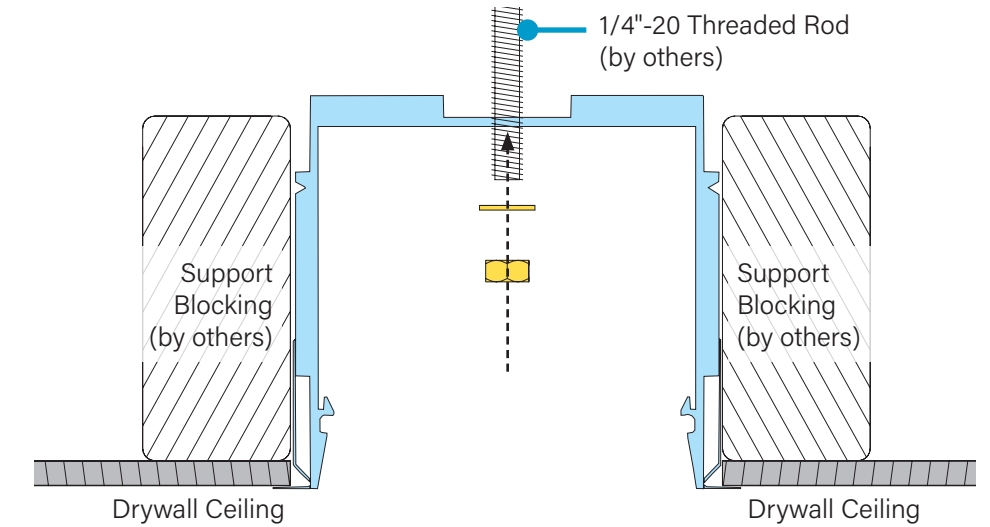
# HP-3 Recessed Spackle & Visible Flange Installation Instructions

## Step 4 - Mounting Starter to Structure

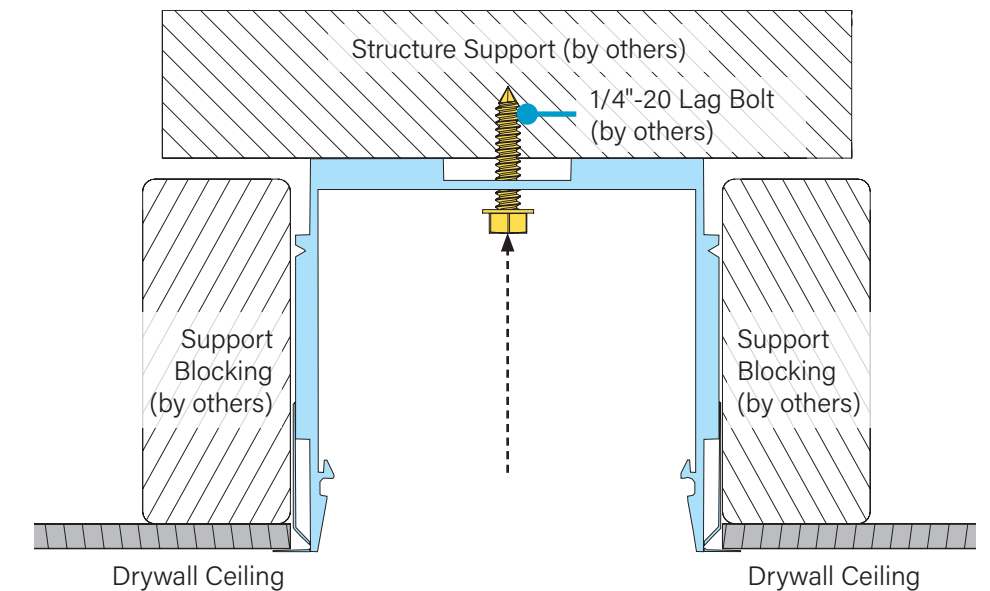
**B. Mount Starter to Structure**



**Option 1 (Shown) - Mount to Threaded Rod**



**Option 2 - Mount to Structure**

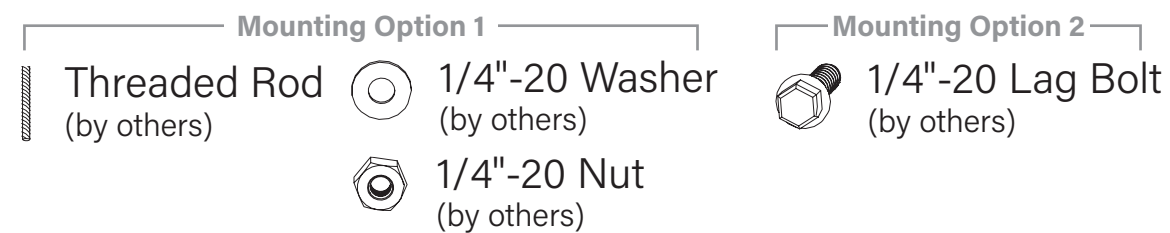


**Option 1 (Shown) - Mount to Threaded Rod**

- Align threaded rods with mounting holes and slide luminaire into wall/ceiling.
- Install 1/4"-20 nut and 1/4"-20 washer onto 1/4"-20 threaded rod.
- **CRITICAL:** If installing a joiner luminaire in the next step, leave the nut loose, allowing the luminaire to hang out of ceiling at an angle.
- If there is no joiner/ender, then tighten nuts fully. **PROCEED TO STEP 7.**

**Option 2 - Mount to Structure**

- Slide luminaire into wall/ceiling and mount to structure support with hardware appropriate for the structure type.
- **CRITICAL:** If installing a joiner luminaire in the next step, leave the bolt/screw loose, allowing luminaire to hang out of ceiling at an angle.
- If there is no joiner/ender, then tighten nuts fully. **PROCEED TO STEP 7.**

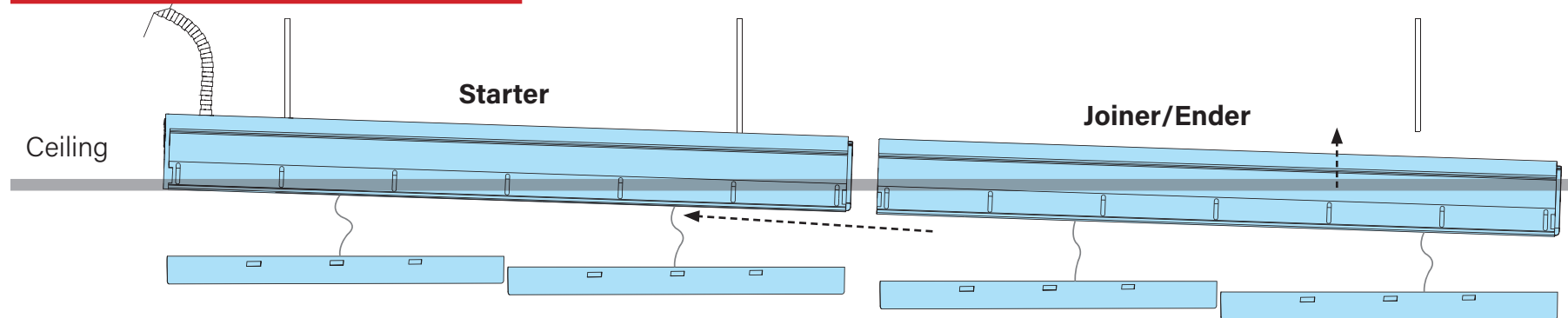


# HP-3 Recessed Spackle & Visible Flange Installation Instructions

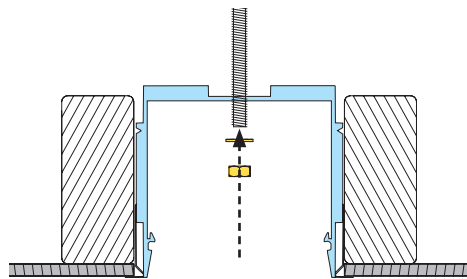
## Step 5 - Joining Luminaires

### A. Mount Joiner/Ender to Structure

**CAUTION**  **DO NOT** attempt to join luminaires together on the floor. Damage may result when lifted. Follow these instructions.

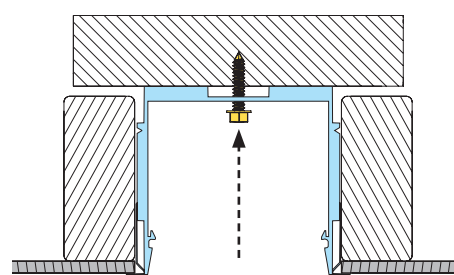


- **FOR SENSOR:** If luminaire contains a sensor at joint, refer to page 4 of appropriate Addendum before joining luminaires.
- While properly supporting luminaire, maneuver luminaire near wall/ceiling opening.
- If necessary, loosen bolts on previous luminaire so that it can hang out of the opening at an angle.
- After installing a joiner, return to previous luminaire and tighten.



#### Option 1 (Shown) - Mount to Threaded Rod


- Align threaded rods with mounting holes and slide luminaire into wall/ceiling.
- Install 1/4"-20 nut and 1/4"-20 washer onto 1/4"-20 threaded rod.
- **CRITICAL:** If installing a joiner luminaire in the next step, leave the nut loose, allowing the luminaire to hang out of ceiling at an angle.
- If there is no joiner/ender, then tighten nuts fully.

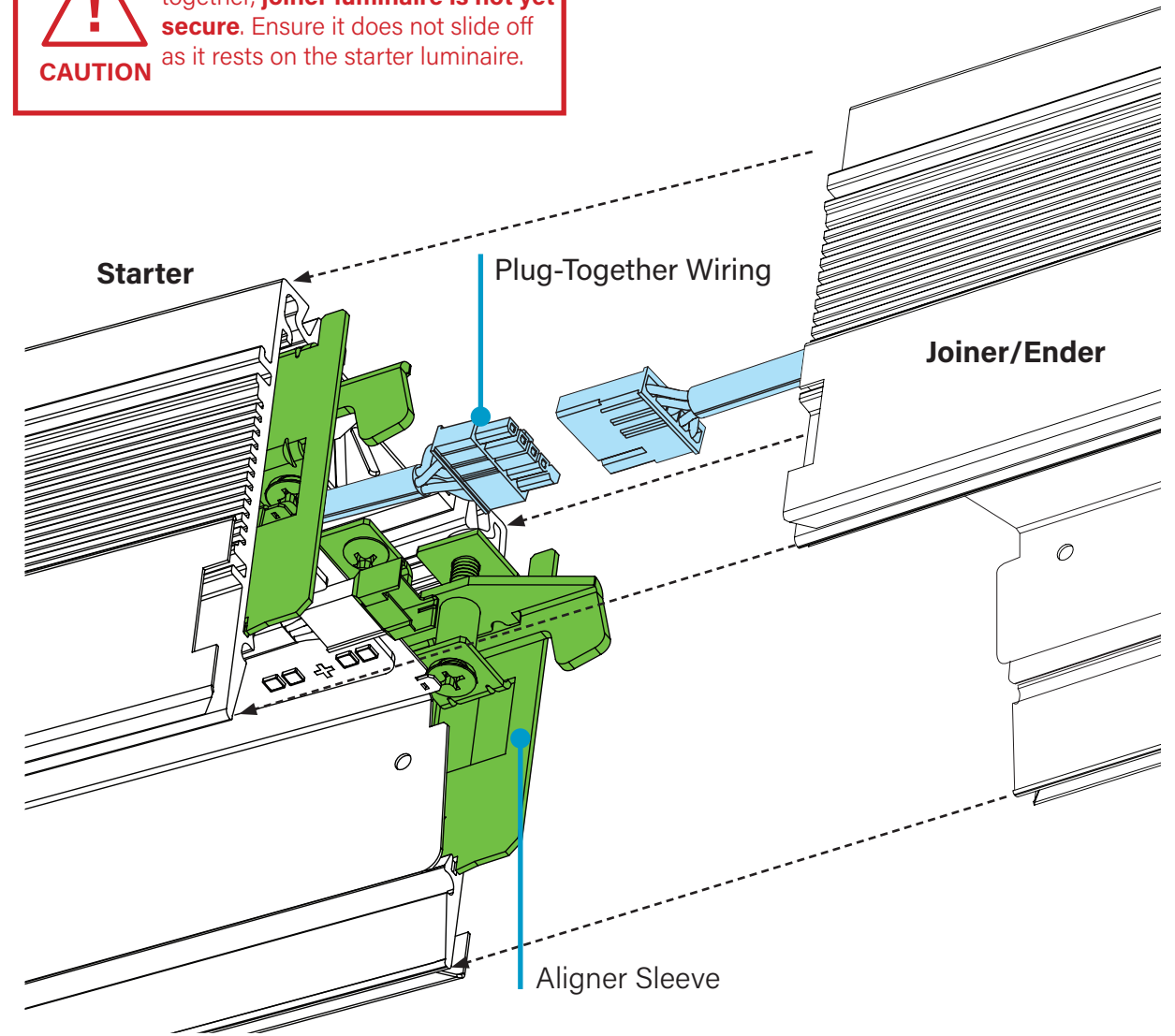


#### Option 2 - Mount to Structure

- Slide luminaire into wall/ceiling and mount to structure support with hardware appropriate for the structure type.
- **CRITICAL:** If installing a joiner luminaire in the next step, leave the bolt/screw loose, allowing luminaire to hang out of ceiling at an angle.
- If there is no joiner/ender, then tighten nuts fully.

### B. Join Luminaires

**CAUTION**  Once luminaires are aligned together, **joiner luminaire is not yet secure.** Ensure it does not slide off as it rests on the starter luminaire.



- Connect plug-together wiring.

**Mounting Option 1**

- Threaded Rod (by others)
- 1/4"-20 Washer (by others)
- 1/4"-20 Nut (by others)

**Mounting Option 2**

- 1/4"-20 Lag Bolt (by others)



Socket Removal & Installation

# HP-3 Recessed Spackle & Visible Flange Installation Instructions

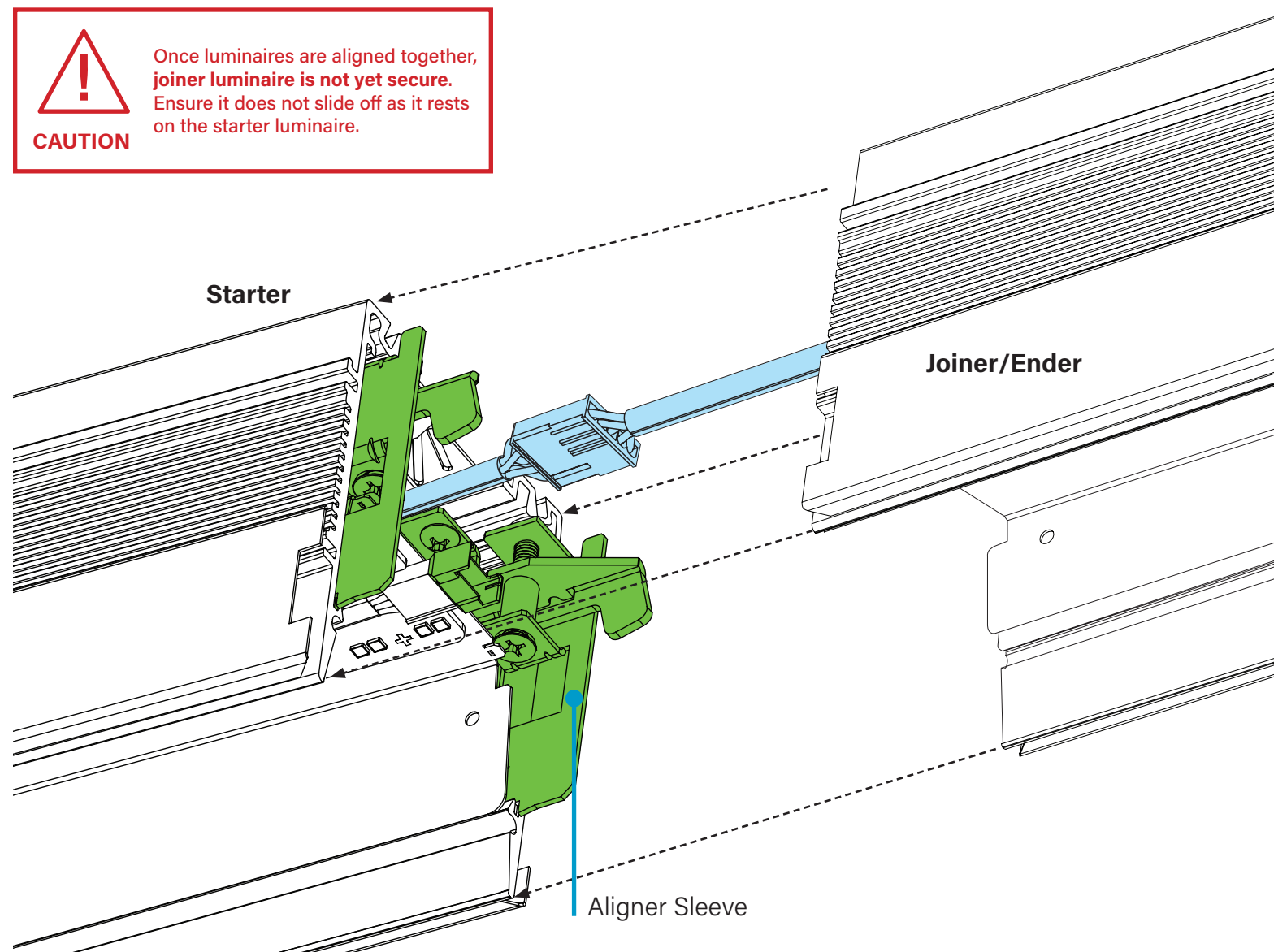
## Step 6 - Securing Luminaire Joints

### A. Join Luminaires



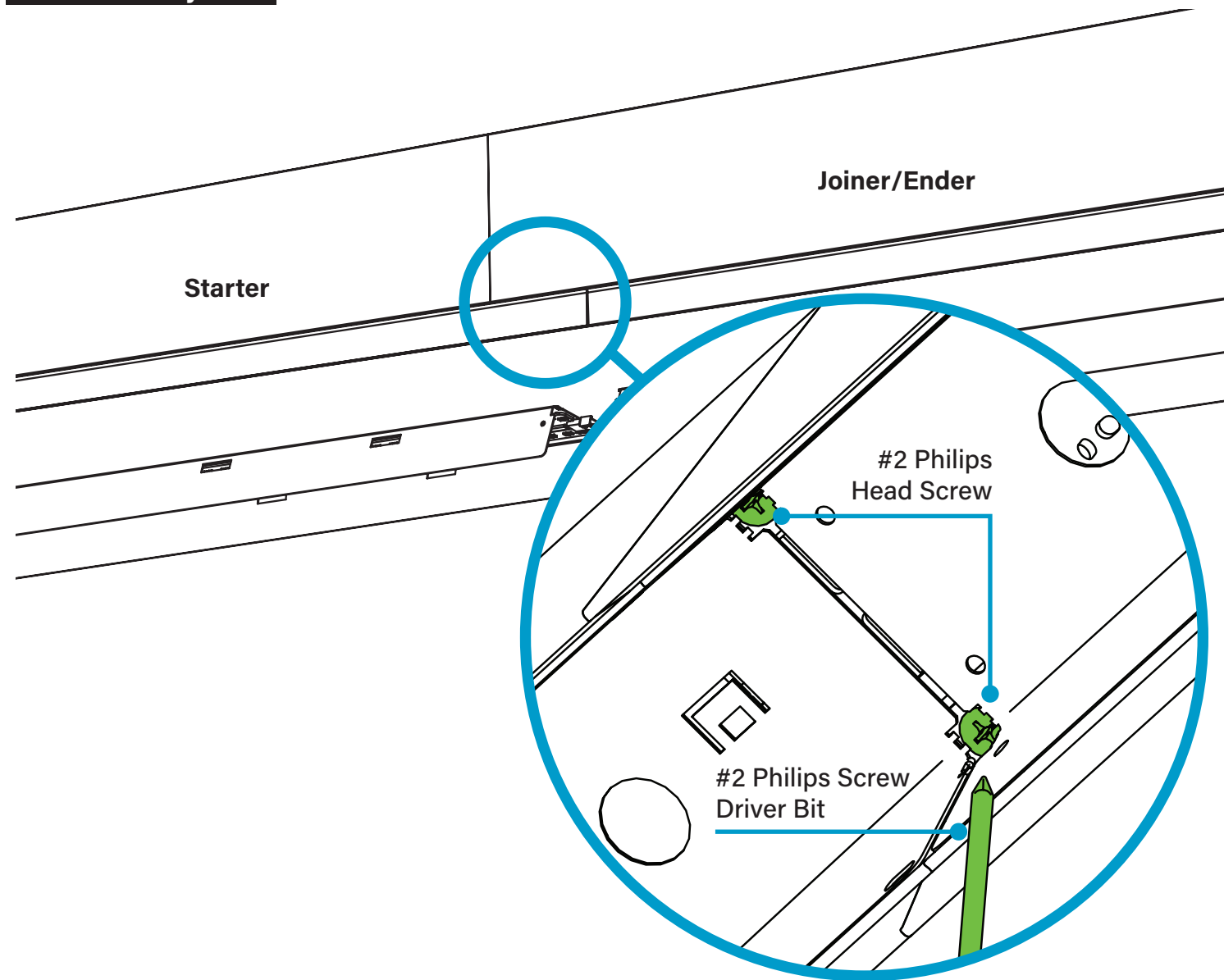
Once luminaires are aligned together, **joiner luminaire is not yet secure.** Ensure it does not slide off as it rests on the starter luminaire.

**CAUTION**



- Align joiner/ender luminaire with aligner sleeves on the starter and slide together. Be careful not to damage any wiring.
- If necessary, lift both luminaires, then slide together.

### B. Secure Easy Joint

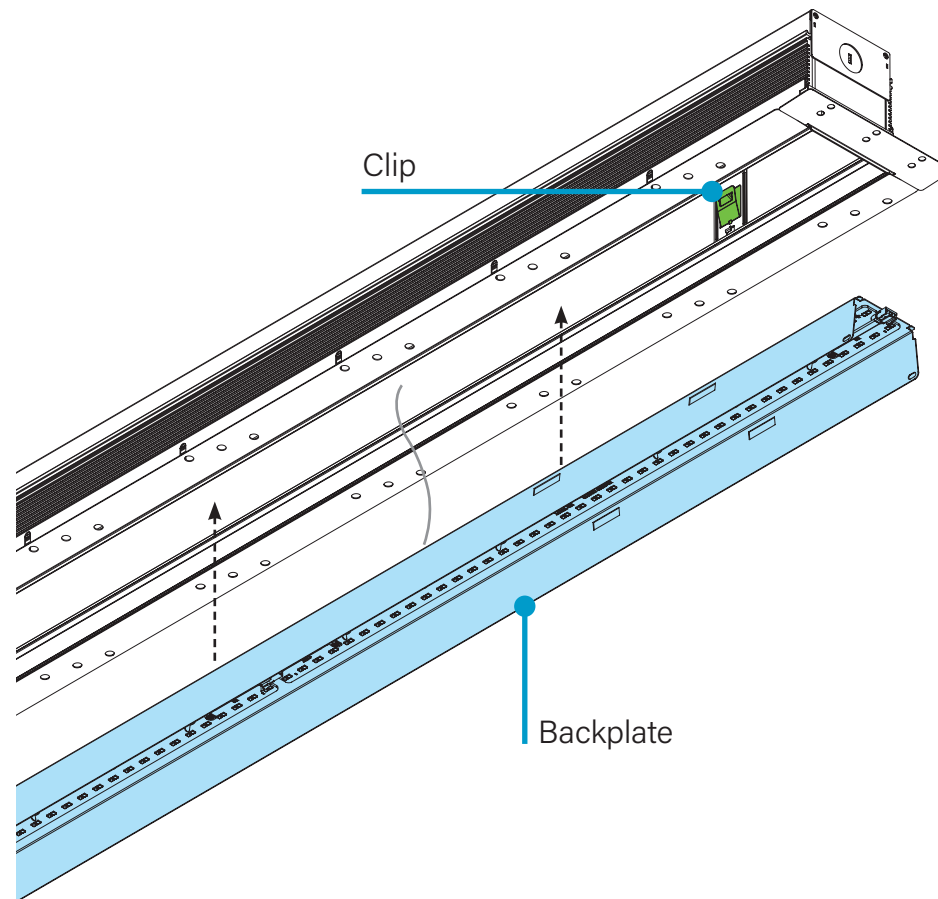


- Secure Joiner/Ender with Starter by tightening two #2 Philips Head Screws.
- Tighten two screws simultaneously and apply equal pressure to each one until tightened.
- **DO NOT USE** impact drivers. Only use drivers with torque limit setting and set to low to prevent stripping the screw.
- **DO NOT OVER TORQUE. DO NOT EXCEED 20 in-lb TORQUE**

# HP-3 Recessed Spackle & Visible Flange Installation Instructions

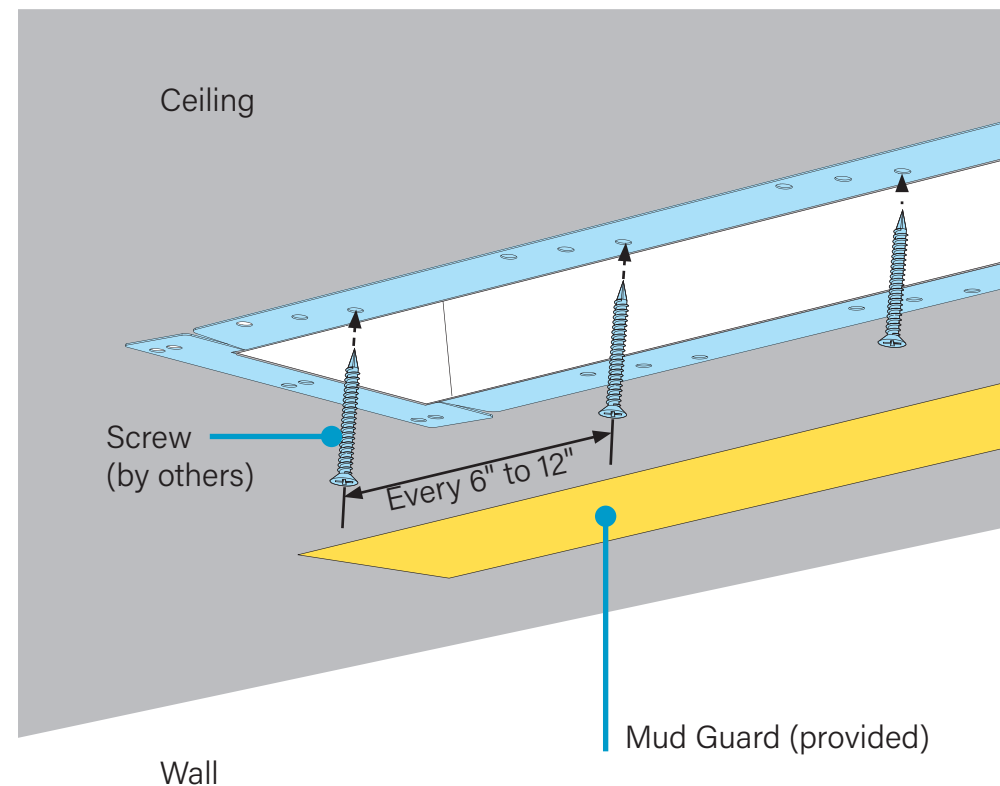
## Step 7 - Closing Luminaires

### A. Close All Backplates



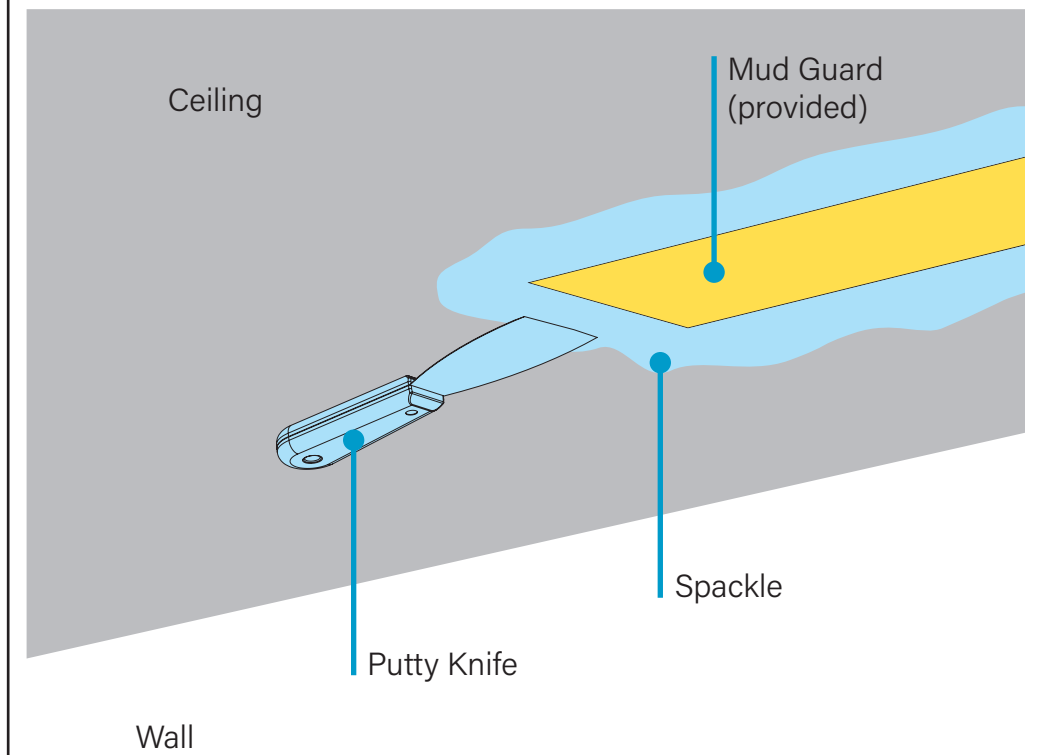
- **FOR SENSOR:** If luminaire contains a sensor at endcap, refer to page 3 of appropriate Addendum. If luminaire contains a sensor at joint, refer to page 5 of appropriate Addendum.
- Reinstall **all** backplates by snapping into clips.

### B. Secure Flange To Structure Spackle Flange Only

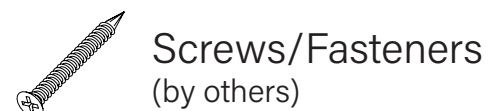


- Secure flanges to wall/ceiling using appropriate screws or fasteners<sup>1</sup> for hard surface, per local building codes.
- Install the "mud guard" cardboard inserts to help prevent spackle and paint from getting into the luminaire.
- **WARNING: DO NOT flaring or squeezing the fixture body during screw installation to prevent damage and ensure proper alignment**

### C. Apply Spackle Spackle Flange Only



- Spackle and paint over flanges up to luminaire edge.
- **CAUTION: Careful not to drop spackle into luminaire. Immediately wipe off excess spackle that may have gotten onto luminaire edges.**
- Perform all spackling and painting to walls and ceiling prior to removing "mud guards."
- Remove all mud guards.



<sup>1</sup> Screws or fasteners: drywall - drywall screws, wood - wood screws, etc.

CONTINUED

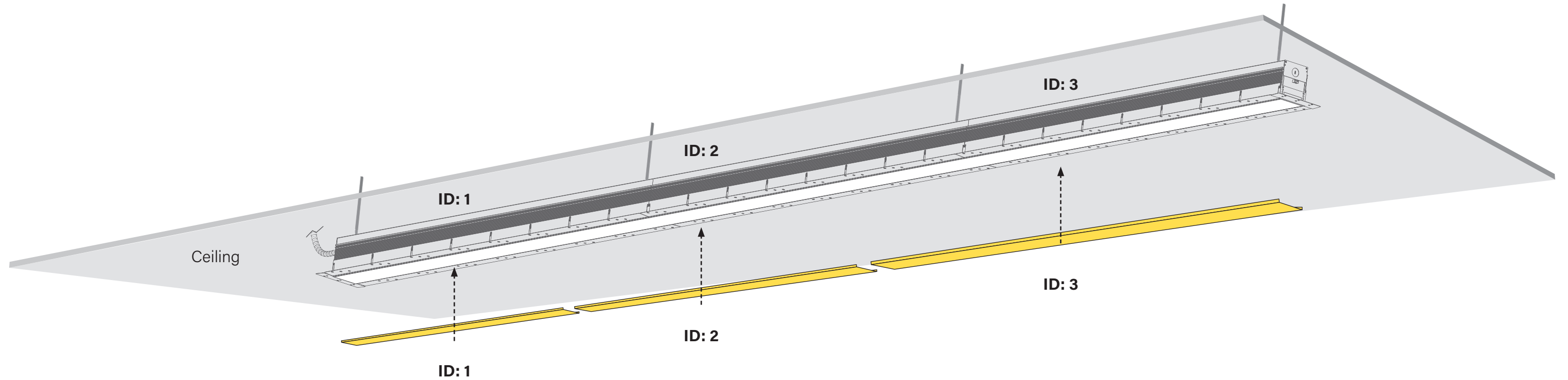


Socket Removal  
& Installation

# HP-3 Recessed Spackle & Visible Flange Installation Instructions

## Step 7 - Closing Luminaires

**D. Final Step - Replace Diffusers**



- **NOTE:** If your installation includes a battery backup, please see addendum (98333) that should be included with your kitting package.
- Remove diffusers from protective plastic bag.
- **CAUTION:** Wear gloves to keep diffuser surface clean.
- **CRITICAL:** Be sure to install correct diffuser to its corresponding luminaire ID.
- Install diffusers into luminaire body, ensuring they snap into place.
- Turn power on to luminaire.