



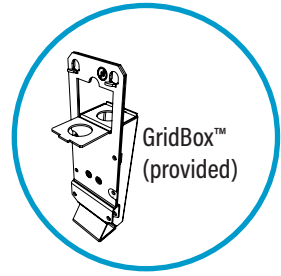
# HP-3 Direct Installation Instructions

## Step 1 - Mounting & Suspension

### Mounting Options

#### Option 1 T-Bar Mounting - GridBox™ and Caddy Clips

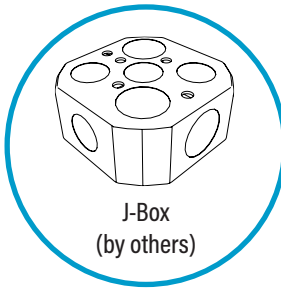
- Install GridBox™ and electrical conduit at feed locations.
- Install caddy clips at mounting point locations.
- All caddy clips are to be secured to the structure, per local building codes.



or

#### Option 2 Drywall (C4) or other hard surfaces\* - J-Box and Anchor Bolts

- Install J-Box and electrical conduit at feed locations.
- Install anchor bolts at mounting point locations.
- All anchor bolts are to be secured to the structure, per local building codes.

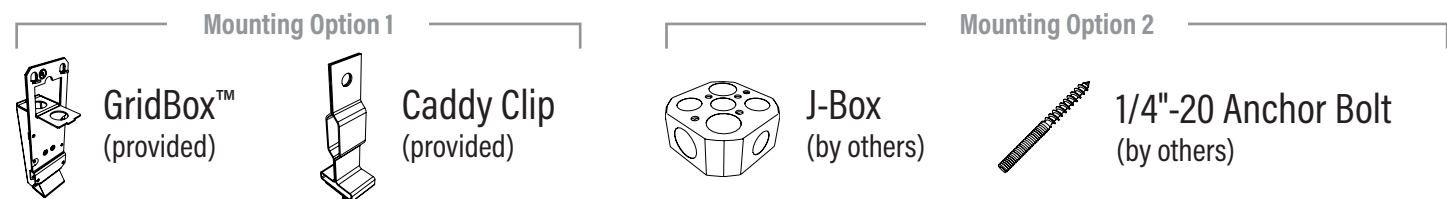
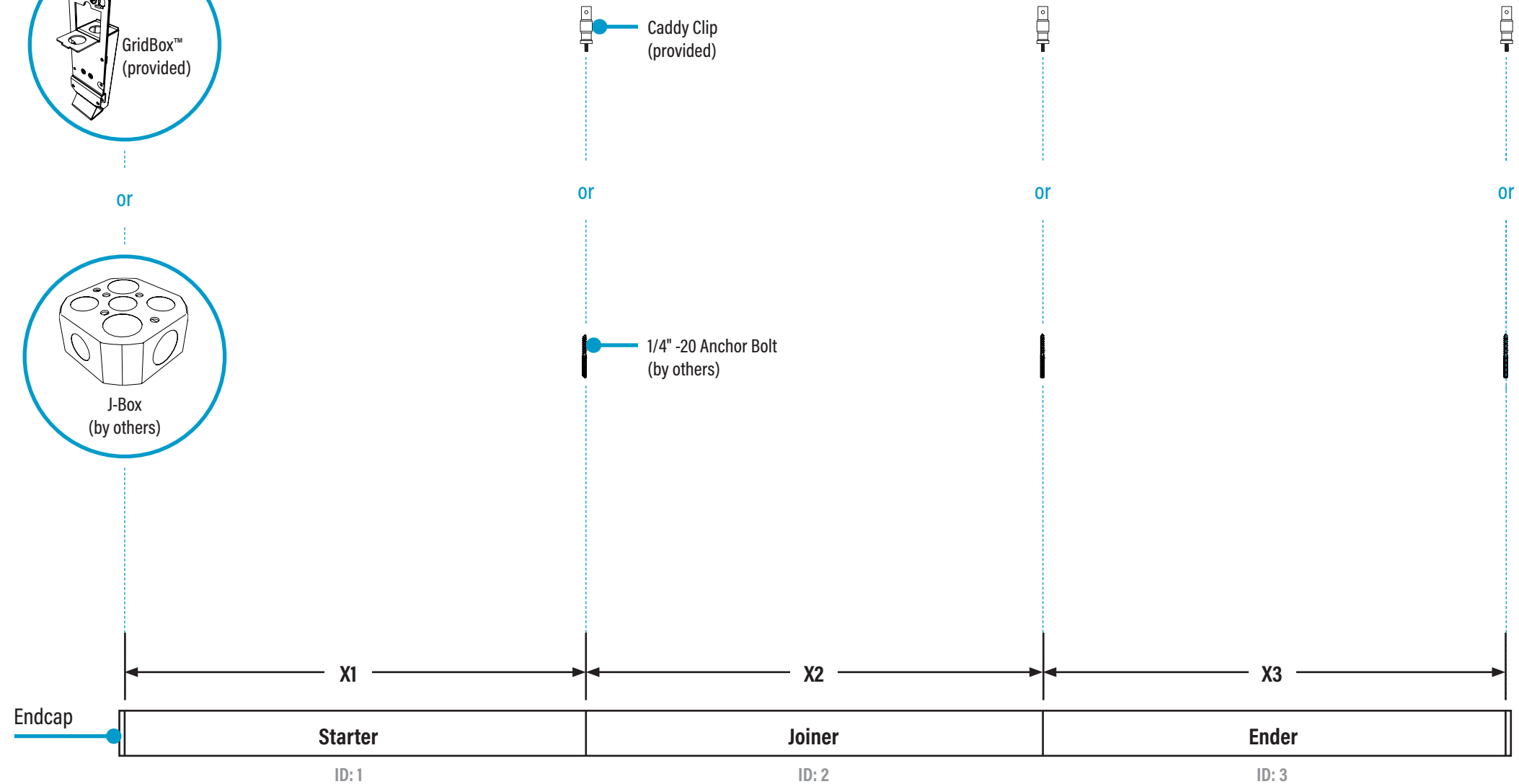


\*Other hard surfaces include: wood, sheet metal panels, steel beams, concrete or masonry. Use hardware appropriate for each surface material type.

### Suspension Locations

X = Suspension Dimensions

Refer to Record Drawings and building plans to determine exact mounting, suspension points, and power feed locations.



# HP-3 Direct Installation Instructions

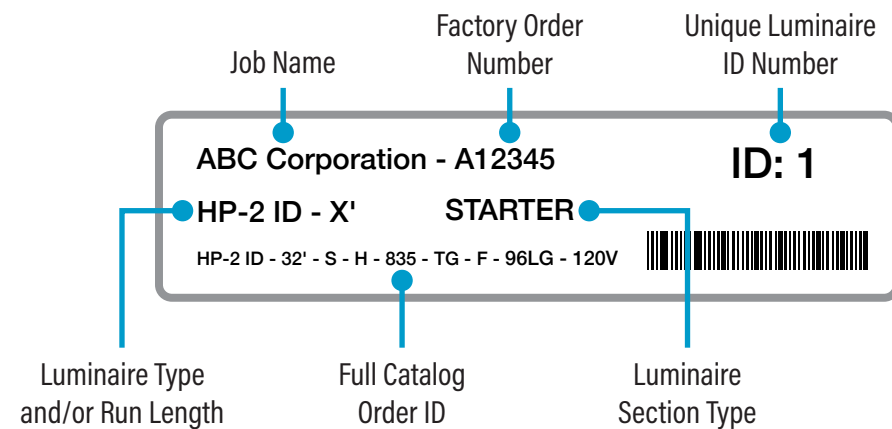
## Step 2 - Identification & Preparation

### A. Identify Luminaires



Arrange luminaires in order according to ID# at their install locations.

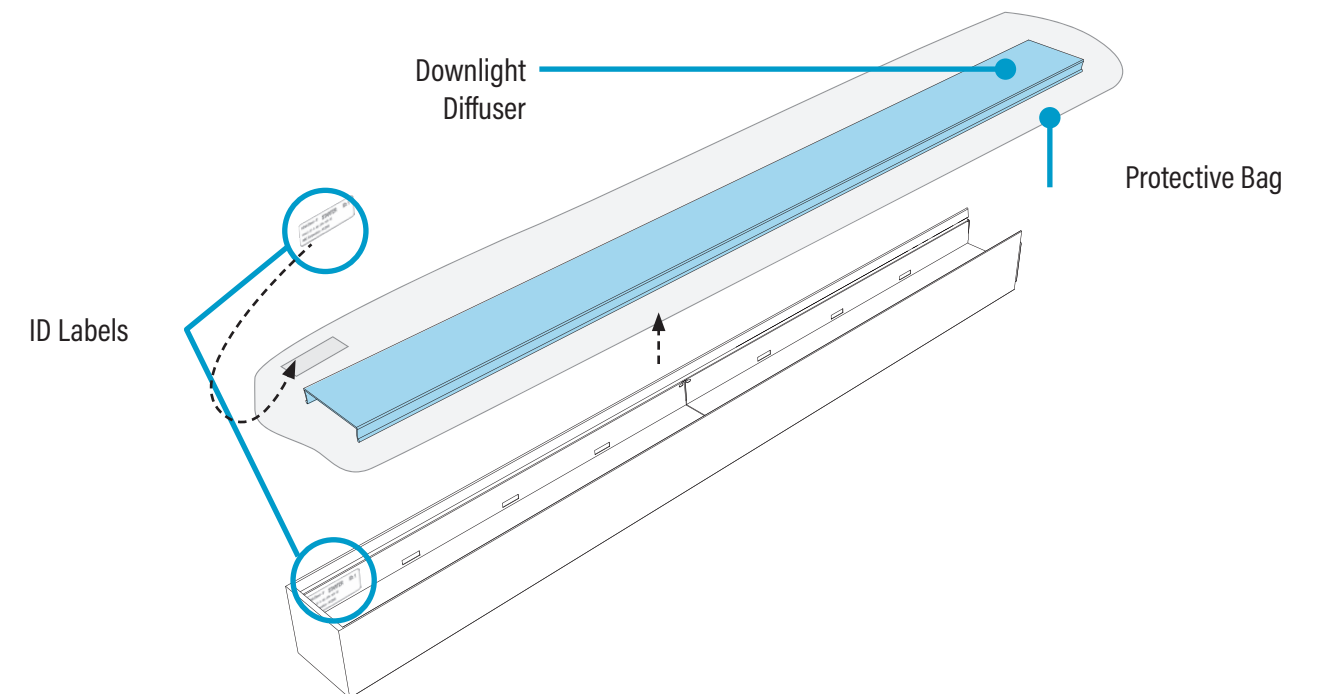
**CAUTION**



- Identify all luminaires by their ID label that can be found on the box, the diffuser, and inside the luminaire.
- NOTE: Exact location of labels in these areas may vary.
- Remove all luminaires from their box.
- Refer to Record Drawings that can be found in the hardware kit.

### B. Remove Downlight Diffusers

Remove Diffusers

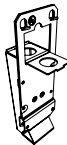



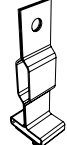
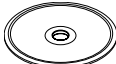


- Carefully remove all downlight diffusers, keeping them inside their protective bags.
- Set aside all downlight diffusers to prevent from getting dirty or damaged.
- Ensure downlight diffusers can be identified back to their corresponding luminaire.



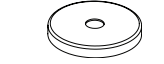
### Kitted Hardware


- Finelite has provided items listed here, with their Finelite part numbers. These items can be found in separate boxes shipped with the luminaire.
- Account for all parts and set aside until they are needed.
- All other hardware needed for this installation will be by others.

#### Mounting Option 1


 <b>GridBox™</b> Part# 89159	 <b>3-1/2" Canopy</b> Part# 89191
 <b>Dual GridBox™</b> Part# 89199 Mounting & Suspension p. 2, Step 1	 <b>3-1/2" Dual Feed Canopy</b> Part# 89192 Mounting Starter to Structure p. 4, Step 3 Joining Luminaires p. 5, Step 4
 <b>Caddy Clip</b> C1 Ceiling - Part# 94001 C2 Ceiling - Part# 94020 C3 Ceiling - Part# 94029 Mounting & Suspension p. 2, Step 1	 <b>3-1/2" T-Bar Support Canopy</b> Part# 89193 Mounting Starter to Structure p. 4, Step 3 Joining Luminaires p. 5, Step 4

#### Mounting Option 2

 <b>5" Canopy</b> Part# 94085	 <b>5" Dual Feed Canopy</b> Part# 94145 Mounting Starter to Structure p. 4, Step 3 Joining Luminaires p. 5, Step 4
 <b>2" Drywall Support Canopy</b> Part# 94017 Mounting Starter to Structure p. 4, Step 3 Joining Luminaires p. 5, Step 4	




**Gripper**  
Part# 68129  
Mounting Starter to Structure p. 4, Step 3  
Joining Luminaires p. 5, Step 4



**Cable Bushing**  
Part# 94014

**Aircraft Cable**  
50" - Part# 94515-12 (Std.)  
100" - Part# 94515-14  
150" - Part# 94515-18  
Mounting Starter to Structure p. 4, Step 3  
Joining Luminaires p. 5, Step 4



**Slip Ring w/ Set Screw**  
Part# 94015  
Mounting Starter to Structure p. 4, Step 3  
Joining Luminaires p. 5, Step 4

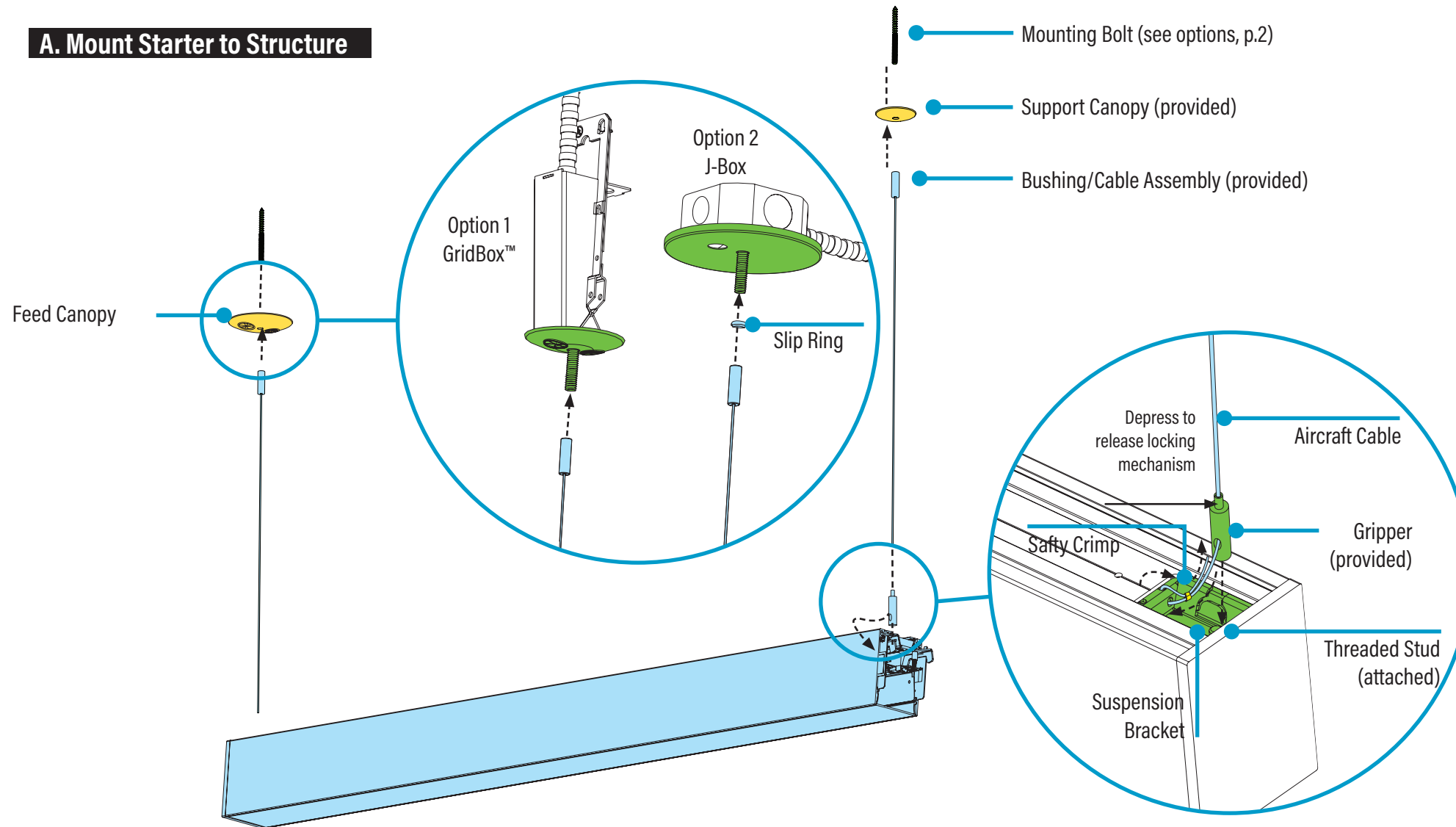


**Safety Crimp**  
Part# 94514  
Closing Luminaires p. 4, Step 3

# HP-3 Direct Installation Instructions

## Step 3 - Mounting Starter to Structure

### A. Mount Starter to Structure

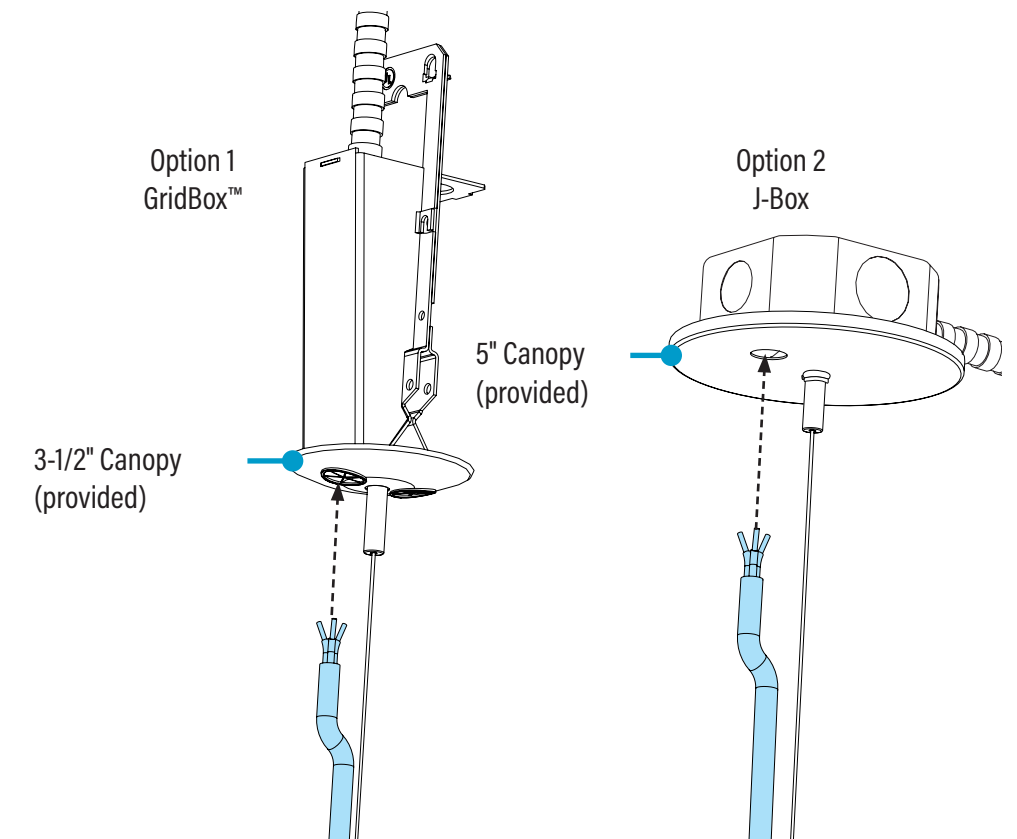


- Slide canopy appropriate for electrical type options onto mounting bolt (anchor bolt or caddy clip bolt).
- (Option 2 only) Thread the Slip Ring onto anchor bolts and secure it with a set screw at both mounting locations.
- Thread the bushing/cable assembly onto mounting bolts.
- Attach grippers onto threaded studs found on the end plates of the starter luminaire.
- While properly supporting the luminaire, maneuver the luminaire to the ceiling.

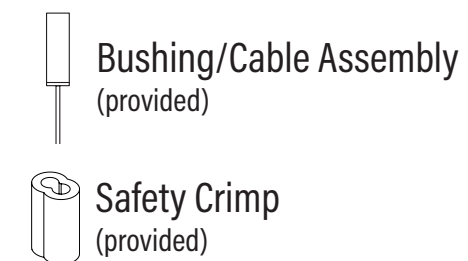
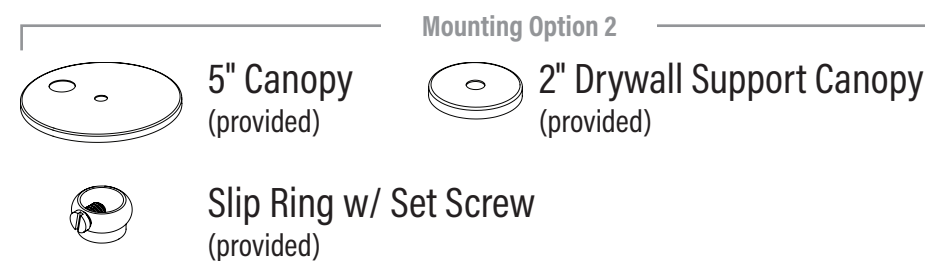
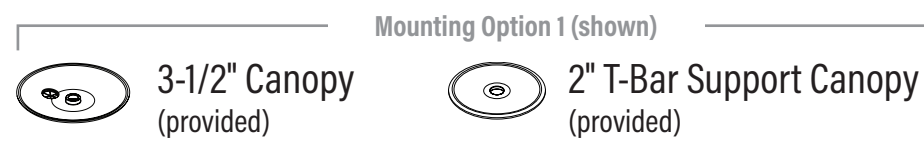
- Depress the top of the gripper to feed the Aircraft Cable through and lead into the feed hole.
- Loop cable through Safety Crimp and holes in Suspension Bracket, then back through Safety Crimp.
- Crimp, then cut the excess cable.

### B. Make Electrical Connections

WIRING LEGEND		
Black	Hot	Line Voltage
White	Neutral	Line Voltage
Green	Ground	
Pink	Dimming	0-10V DC
Purple	Dimming	0-10V DC



- (Option 1) Feed power cord through the 3-1/2" canopy and connect wires inside the GridBox™.
- (Option 2) Feed power cord through the 5" canopy and connect wires inside the J-Box.
- **CRITICAL: If installing an independent luminaire, perform all leveling. PROCEED TO STEP 6.**



0-10V Dimming

# HP-3 Direct Installation Instructions

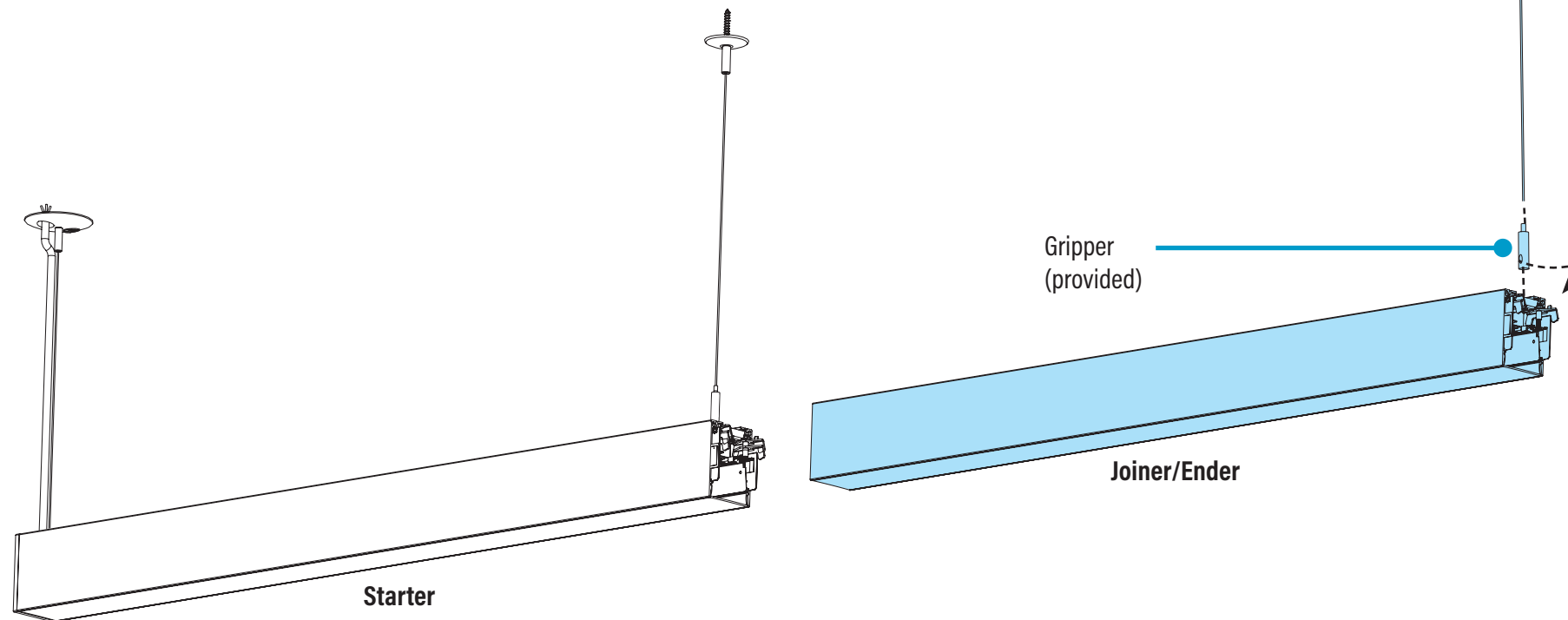
## Step 4 - Joining Luminaires

### A. Mount Joiner/End to Structure



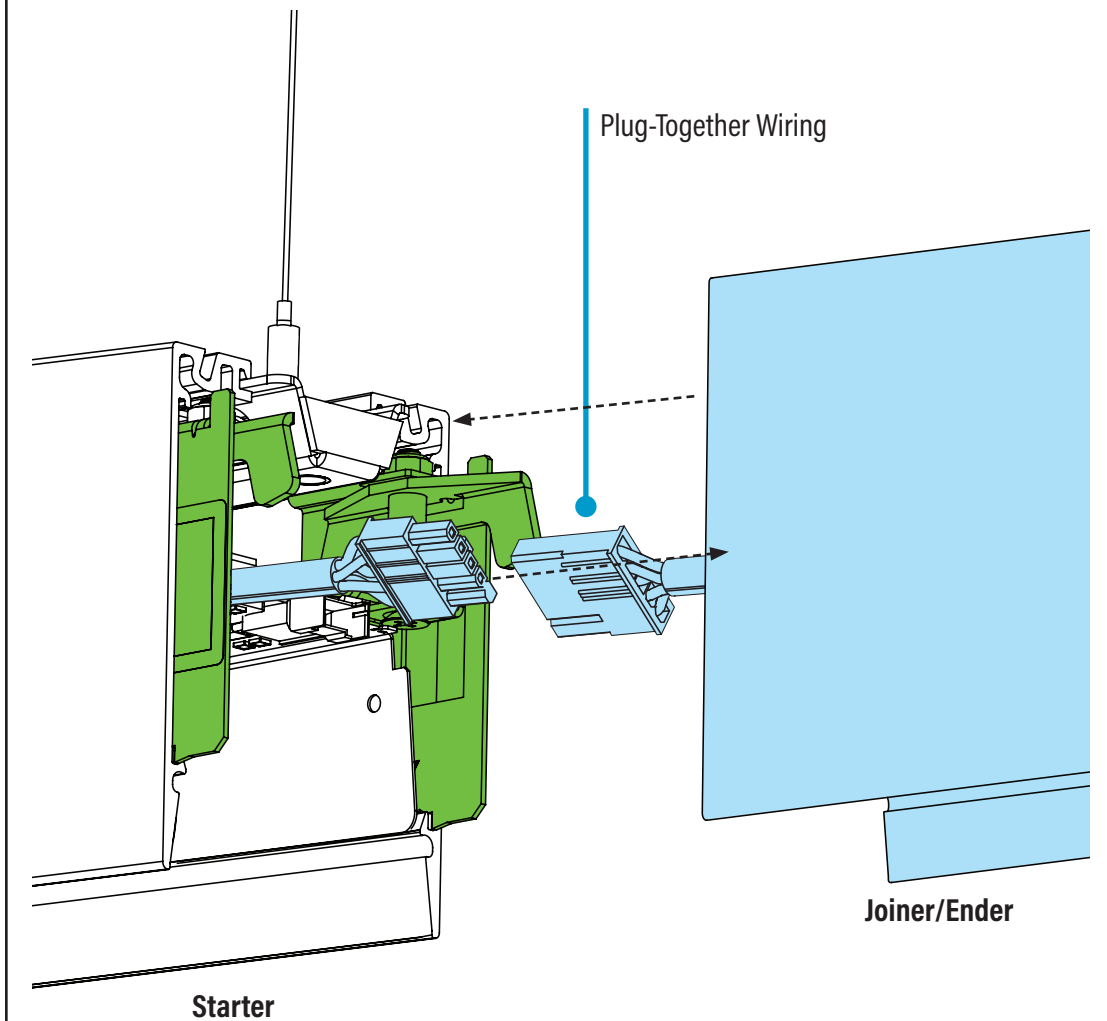
**DO NOT** attempt to join luminaires together on the floor. Damage may result when lifted. Follow these instructions.

**CAUTION**



- For the joiner/ender luminaire, slide the canopy appropriate for the electrical type onto the mounting bolt (anchor bolt or caddy clip bolt)
- Thread the bushing/cable assembly onto mounting bolt.
- Attach grippers onto threaded studs found on the end plates of joiner/ender.
- While properly supporting the luminaire, maneuver the luminaire to ceiling.
- Depress the top of the gripper to feed the aircraft cable through and lead into the feed hole.

### B. Make Electrical Connections



- Connect plug-together wiring.

**Mounting Option 1 (shown)**

3-1/2" Canopy (provided)

2" T-Bar Support Canopy (provided)

**Mounting Option 2**

5" Canopy (provided)

2" Drywall Support Canopy (provided)

Slip Ring w/ Set Screw (provided)

Bushing/Cable Assembly (provided)

Gripper (provided)



Simple Plug-Together Wiring

# HP-3 Direct Installation Instructions

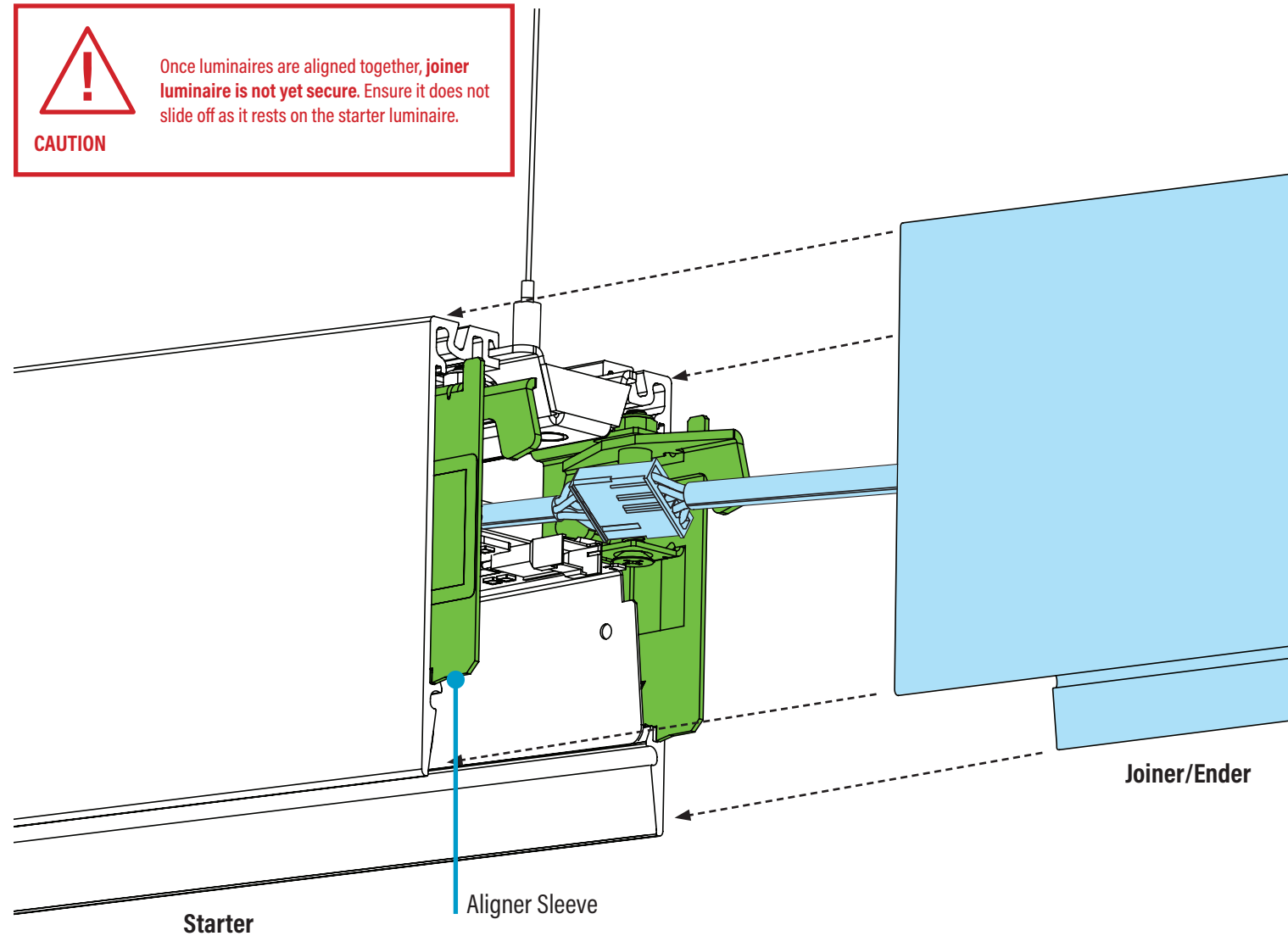
## Step 5 - Securing Luminaire Joints

### A. Join Luminaires



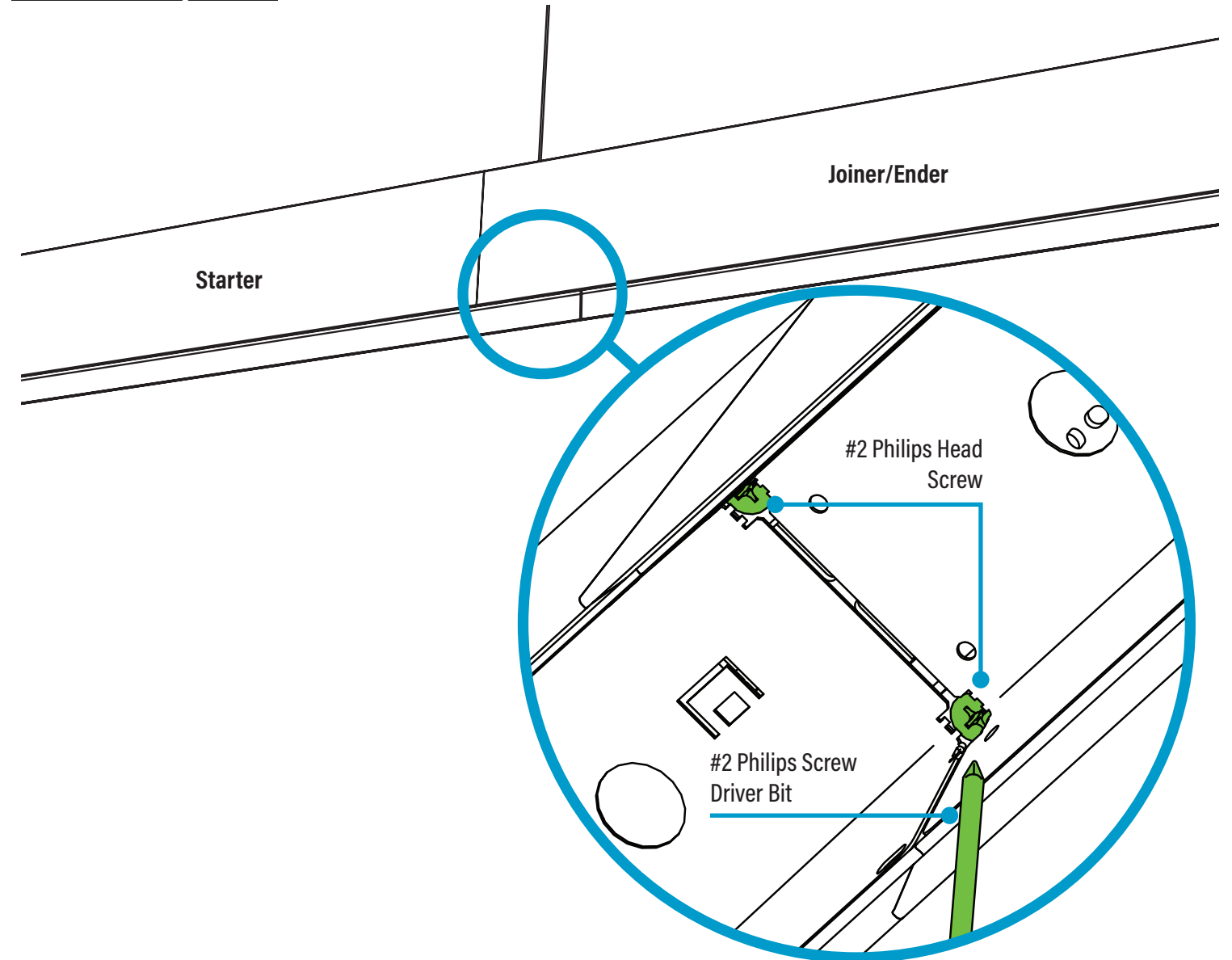
CAUTION

Once luminaires are aligned together, **joiner luminaire is not yet secure**. Ensure it does not slide off as it rests on the starter luminaire.



- Align joiner/ender luminaire with aligner sleeves on the starter and slide together. Be careful not to damage any wiring.
- If necessary, lift both luminaires, then slide together.

### B. Secure Easy Joint

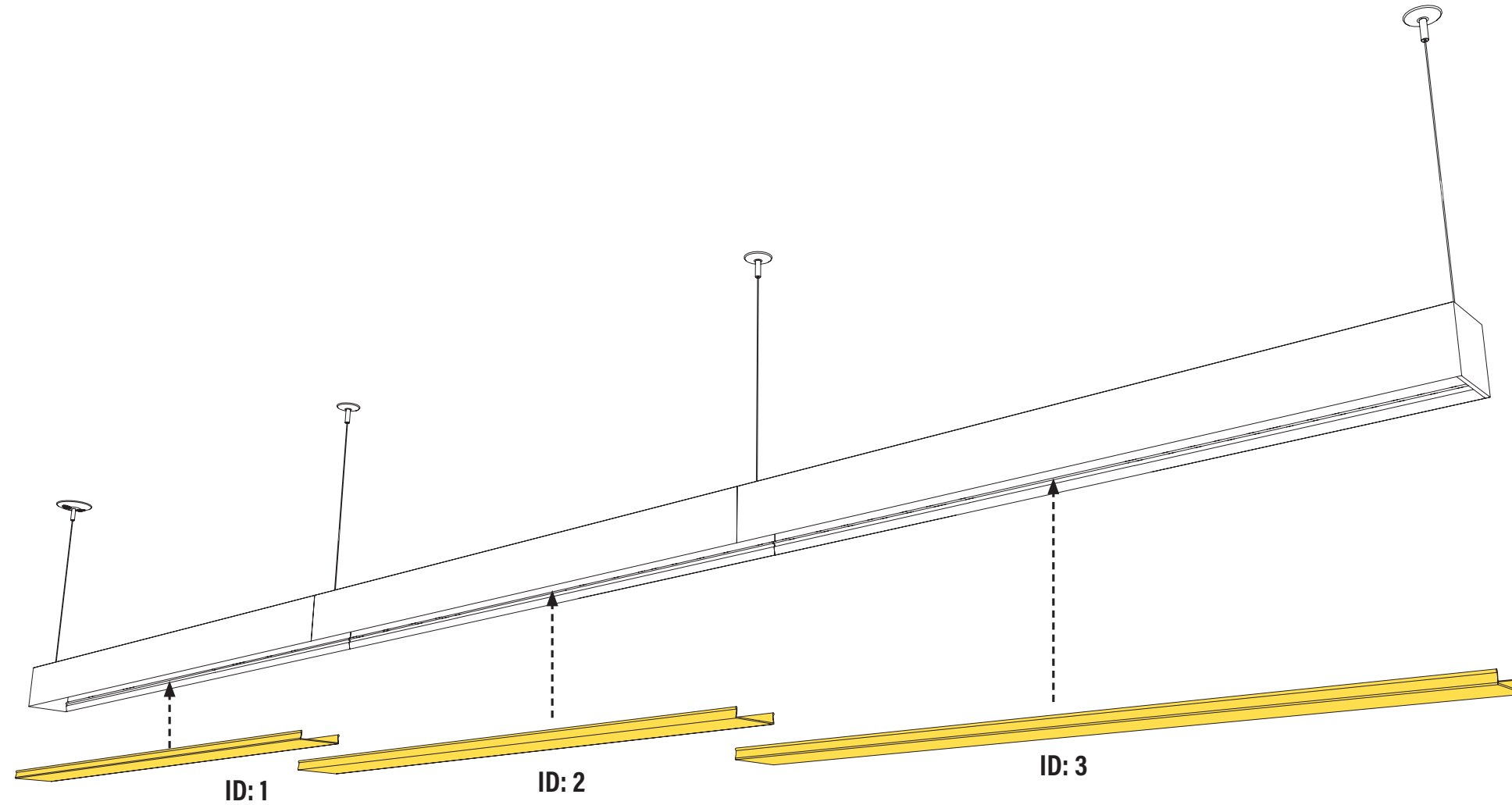


- Secure Joiner/Ender with Starter by tightening two #2 Philips Head Screws.
- Tighten two screws simultaneously and apply equal pressure to each one until tightened.
- **DO NOT USE impact drivers. Only use drivers with torque limit setting and set to low to prevent stripping the screw.**
- **DO NOT OVER TORQUE. DO NOT EXCEED 20 in-lb TORQUE**

# HP-3 Direct Installation Instructions

## Step 6 - Closing Luminaires

### A. Final Step - Replace Diffusers



- NOTE: If your installation includes a battery backup, please see the addendum (98333) that should be included with your kitting package.
- FOR SENSOR: If luminaire contains a sensor at joint, refer to page 5 of Sensor Addendum before Closing Luminaires.
- Remove diffusers from protective plastic bags.
- **CAUTION: Wear gloves to keep the diffuser or louver surface clean.**
- **CRITICAL: Be sure to install the correct diffuser to its corresponding luminaire ID.**
- Install diffuser into luminaire body, ensuring it snaps into place.
- Turn power on to luminaires.