

Submitted by:		Date:
Type:	Project:	
Ordering Info:		

High Performance Recessed Streamline

HPR-SL



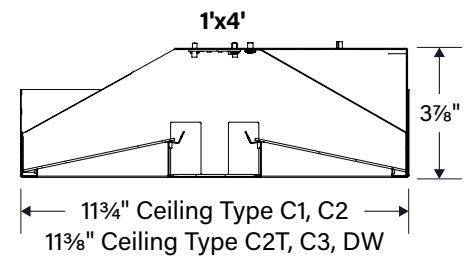
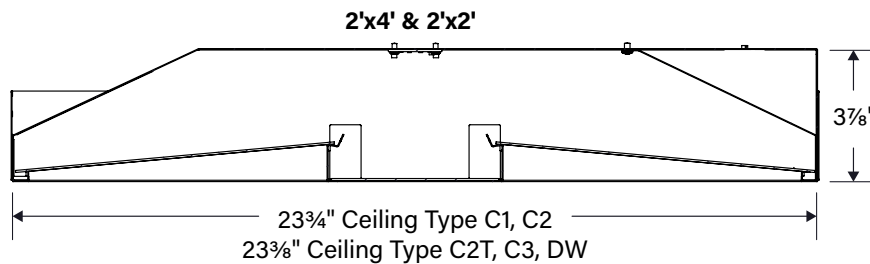
2'x2' shown with Angled Narrow Rail

HPR Streamline is the next chapter in high-performance recessed luminaires. Built on the success of our HPR line, HPR-SL takes lighting solutions to a new level with its superior efficacy. Its advanced optical design, exceptional quality, and ease of installation make HPR-SL a great solution for a wide variety of project goals and scopes.

96 Low Gloss White is standard finish

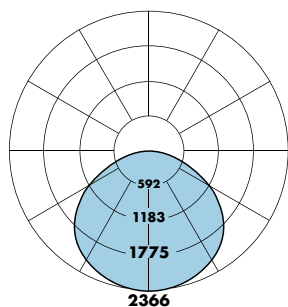
CROSS SECTIONS

See page 6 for all cross sections.



IMPROVED PERFORMANCE

Up to 155 lumens per watt. Up to 6832 total lumens. See page 7 for more output packages.



HPR-SL-2x4-V-835
Efficacy: 149 lm/W
Total luminaire output: 6832 lumens
 45.7 watts
Peak Candela Value: 2366 @ 0°
 CRI: 80 / CCT: 3500K
 LM79 Report 5155



Submitted by:		Date:
Type:	Project:	
Ordering Info:		

High Performance Recessed Streamline HPR-SL

Ordering Guide Example: HPR-SL - ANR - 2x2 - S - 835 - DCO - 96LG - 120 - SC - FC-10% - DW - 96LG - EM/GEN - W601 - FLX

BODY TYPE

OUTPUT and LED TYPE

Platform Series Name	Style - LED	Size	Light Output <small>(page 7)</small>	LED CRI/CCT	Center Optic
HPR-SL - High Performance Recessed Streamline	ANR - Angled Narrow Rail	1x4	S - Standard	830 - 80 CRI min, 3000K	DCO - Diffuse Center
		2x2	B - Boosted	835 - 80 CRI min, 3500K	
		2x4	H - High	840 - 80 CRI min, 4000K	
			V - Very High	930 - 90 CRI min, 3000K 935 - 90 CRI min, 3500K 940 - 90 CRI min, 4000K	
			<small>See page 7 for lumen adjustment calculation</small>		

MECHANICAL

ELECTRICAL FEATURES

MOUNTING TYPE

OTHER OPTIONS

Reflector System	Voltage	Circuiting	Driver Selection	Ceiling Type	Finish
96LG - 96 Low Gloss White	120 - 120 Voltage	SC - Single Circuit	0-10V Driver Options FC-10% - 0-10V 10% (standard) FC-1% - 0-10V 1%	C1 - 15/16" T-Bar C2 - 9/16" T-Bar C2T - 9/16" Tegular ¹ C3 - Screw Slot ¹ DW - Drywall Kit ¹	96LG - 96 Low Gloss White
	277 - 277 Voltage				

OTHER OPTIONS

Emergency Style <small>(Optional)</small> <small>See page 3 Backup Battery table</small>	Control Options <small>(Optional)</small>	Special Options <small>(Optional)</small>
LGD10W - Legrand 10W Brand Battery Back-up BSL310LP - Bodine Battery Back up Low Profile	EM/GEN - Emergency to Generator ² ALCR - Automatic Load Control Relay <small>(Internal UL-924 Transfer Device)</small>	W011 - Wattstopper LMFC-011 & LMFC-2RJ ³ W601 - Wattstopper LMFS-601 Wireless Sensor ³ CLM - Encelium RF SLM - Encelium Sensor
		CP - Chicago Plenum ⁴ FLX - Flex Whip

¹ Ceiling type uses a smaller housing. See page 6 for cross sections

² Select when luminaire will be connected to an external UL-924 Transfer Device

³ Select ALCR for EM/GEN requirements

⁴ Only available with C1, C2, and C3 mounting hardware with Finelite Gridbox

Submitted by:		Date:
Type:	Project:	
Ordering Info:		

High Performance Recessed Streamline HPR-SL

SPECIFICATIONS

BODY TYPE

CONSTRUCTION: Die-formed 24-gauge cold-rolled steel housing. All components are hard-tooled to tolerances of +/- 0.010". Lift and shift center lens provides easy access to light arrays and driver compartment for servicing from below. Seismic brackets are integrated into the luminaire assembly.

ARRAY TYPE

LIGHT OUTPUT: Four lumen packages available, Standard (**S**), Boosted Standard (**B**), High (**H**) and Very High (**V**). A separate chart summarizes lumen distribution and wattage. Light engines are replaceable.

MECHANICAL FEATURES

OPTICAL SYSTEM: Components include diffuser panels and a central optic element held in place with a frame constructed from die-formed cold-rolled steel. The diffusers are UV-stabilized and impact-resistant frosted virgin acrylic; approximately 0.06" thick; angled toward center optic. The center rails are approximately 5/16" wide. Rail to rail distance as follows: **1x4:** 2-3/4" (71.88mm) wide and **2x2/2x4:** 5-1/4" (131.53mm) wide.

CENTER OPTIC OPTIONS: Diffuse Center Optic (**DCO**) available with Angled Narrow Rail (**ANR**); UV-stabilized and impact resistant frosted virgin acrylic.

LUMEN MAINTENANCE: 90% of initial light output (L90) at 100,000+ hours; 70% of initial light output (L70) at 200,000+ hours.

REFLECTORS: Reflectors are finished in 96LG high reflectance matte white powder coat paint.

ELECTRICAL FEATURES

STATIC FEED: Optional whips supplied in a maximum of 6' lengths. Lead Wires.

MOUNTING TYPE

RECESSED: Standard flange design works with most lay-in ceiling types. Integral pry-out tabs secure the luminaire to the ceiling grid from above. Tie-in locations for tie-wire on all corners. Consult local code for appropriate tie-wire recommendations. Drywall Kit available for hard ceiling types.

OTHER OPTIONS

EMERGENCY STYLE: Factory-choice low-profile backup battery available.

Backup Battery	
	Legrand 10W/ Bodine BSL310LP
HPR-SL 1x4	
Angled Narrow Rail	1432
HPR-SL 2x2	
Angled Narrow Rail	1520
HPR-SL 2x4	
Angled Narrow Rail	1581

NOTE: The lumens are based on 835. For other CCT/CRI, refer to the Lumen Adjustment Factor table on page 7.

CONTROL OPTIONS: Connected Lighting Module (**CLM**) is a wireless device designed to easily add individual luminaire control to spaces, delivering the ultimate flexibility to building managers. SensiLUM (**SLM**) wireless integrated sensor family enables real-time occupancy detection, daylighting harvesting, and individual or group control of luminaires.

FINISHES: Housing assembly painted with 96 LG high reflectance matte white powder coat paint. Post paint.

LABELS: Luminaire and electrical components are UL listed conforming to UL 1598 in the U.S.A. and CAN/CSA C22.2 No. 250.0 in Canada. In accordance with NEC Code 410.130 (G), this luminaire contains an internal driver disconnect. UL 924 options available on request. These fixtures are rated for Damp Location and are IC-rated. Finelite products use electronic components that are RoHS compliant, and the mechanical components of the luminaire have been verified to not knowingly contain any restricted substances listed per RoHS Directive 2015/863. HPR-SL can be used to comply with CEC 2016 Title 24, Part 6 (JA8); high efficacy LED light source requirements.

WEIGHT:

- **1x4:** 16 lbs maximum.
- **2x2:** 14 lbs maximum.
- **2x4:** 23 lbs maximum.

10-YEAR WARRANTY: 10-year performance-based warranty on Standard (**S**), Boosted Standard (**B**), and High (**H**), and Very High Output (**V**) with all standard components. All "Control Options" have a 10-year individual manufacturer warranty.

Submitted by:		Date:
Type:	Project:	
Ordering Info:		

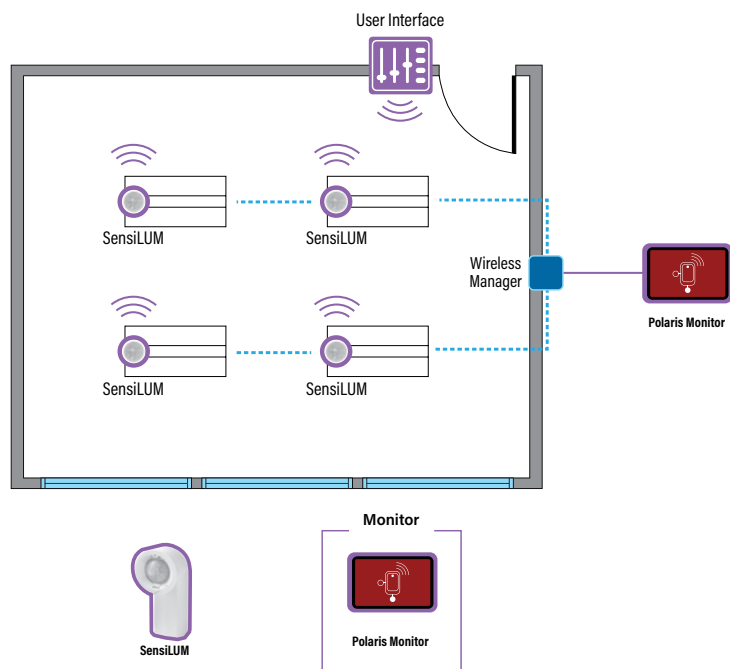
High Performance Recessed Streamline HPR-SL

SENSILUM WIRELESS INTEGRATED SENSOR (SLM)

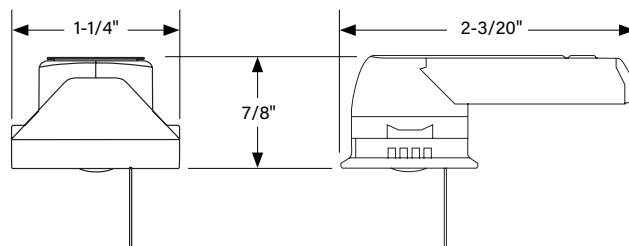
SensiLUM spec sheet, install guide, and technical information can be found on Encelium.com

The SensiLUM wireless integrated sensor family enables real-time occupancy detection, daylighting harvesting, and individual or group control of luminaires.

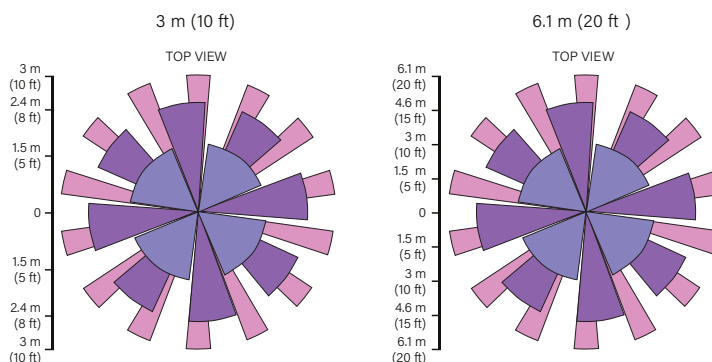
SYSTEM OVERVIEW



DIMENSION



SENSOR COVERAGE

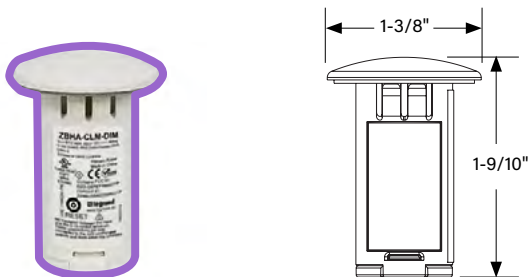
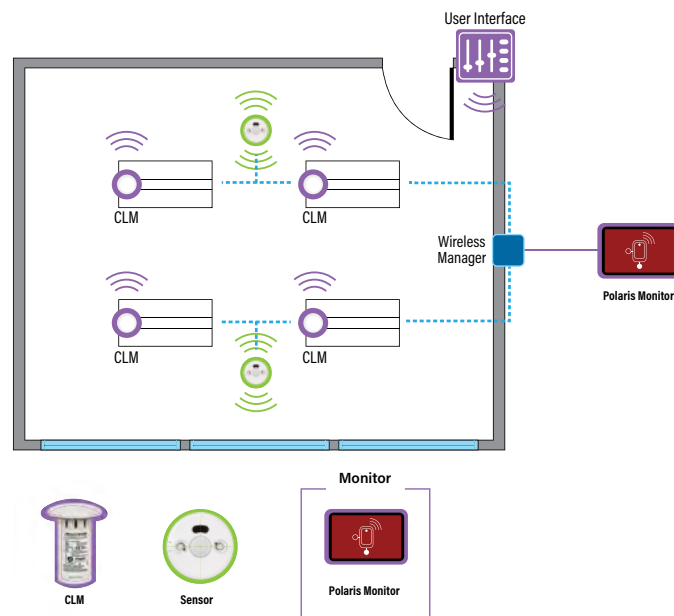


CONNECTED LIGHTING MODULE (CLM-RF)

CLM spec sheet, install guide, and technical information can be found on Encelium.com

The Connected Lighting Module (CLM) is a wireless device designed to easily add individual luminaire control to spaces, delivering the ultimate flexibility to building managers. The Encelium CLM design significantly reduces electrical contractor labor hours during on-site installation.

SYSTEM OVERVIEW



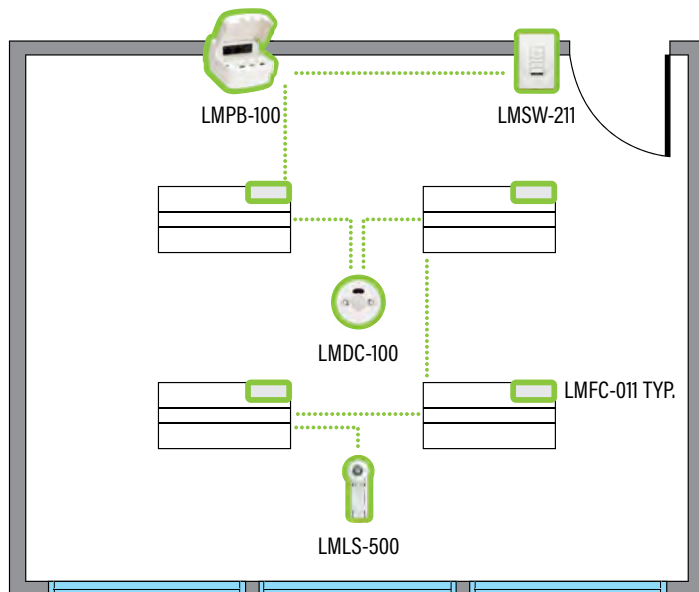
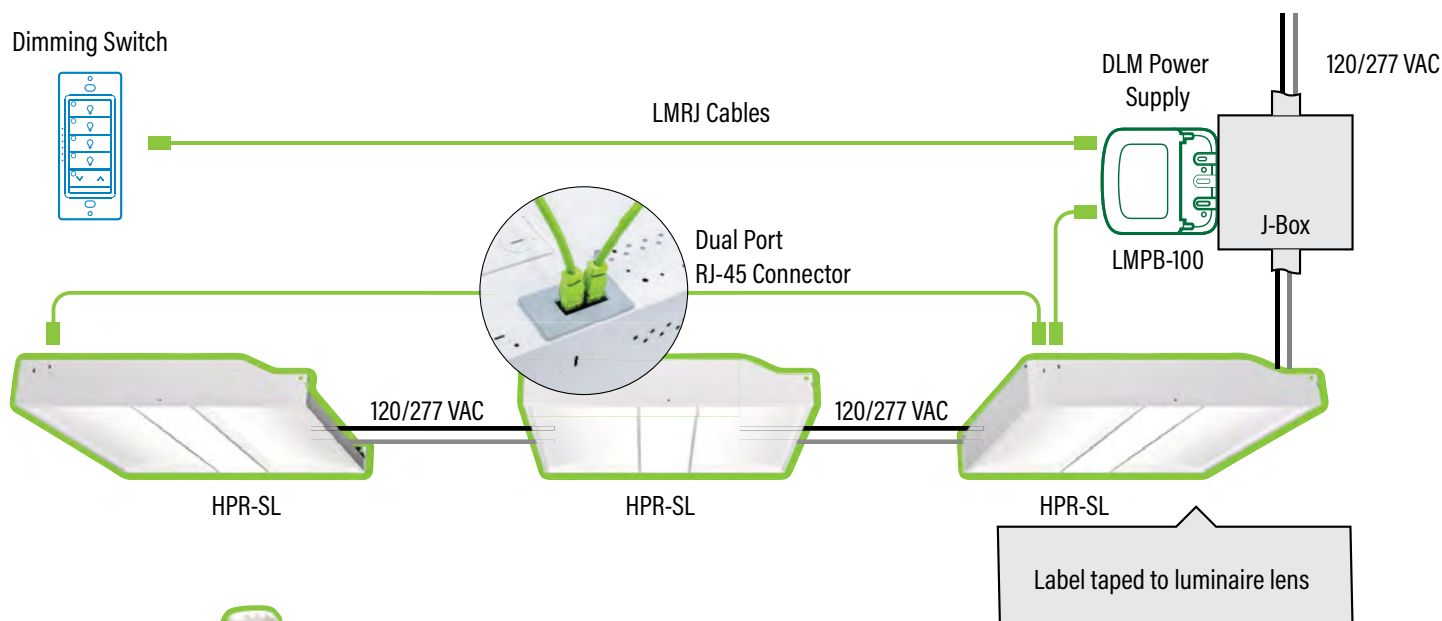
Submitted by:		Date:
Type:	Project:	
Ordering Info:		

High Performance Recessed Streamline HPR-SL

WATTSTOPPER WIRED SOLUTION (W011)

LMFC-011 spec sheet, install guide, and technical information can be found on Legrand.com

Enable your Finelite fixture with LMFC-011 fixture controllers. Each fixture will be provided with a dual port RJ-45 connector for easy installation.



Wired Accessories			
Occupancy Sensors		Daylight Sensors	
Dual Technology Sensor	LMDC-100	Single Zone Sensor	LMLS-400
PIR-Only Sensor	LMPC-100	Multi Zone Sensor	LMLS-500
Wall Stations		Power Supplies	
Single Zone Dimming	LMSW-211	DLM Power Supply	LMPB-100
Dual Zone Dimming	LMSW-222	Lighting Controller	LMRC-111
Scene Control	LMSW-241	Zone Controller	LMZC-301

Network Hardware



Programming Tools

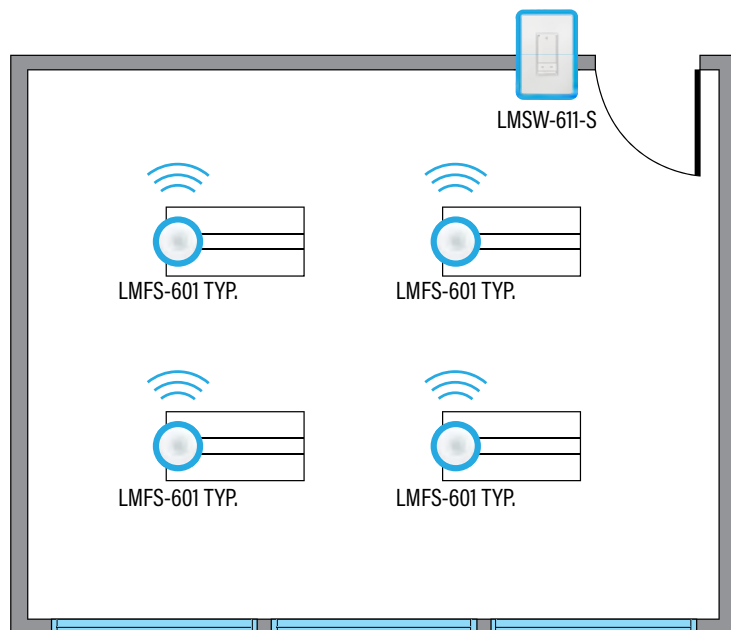
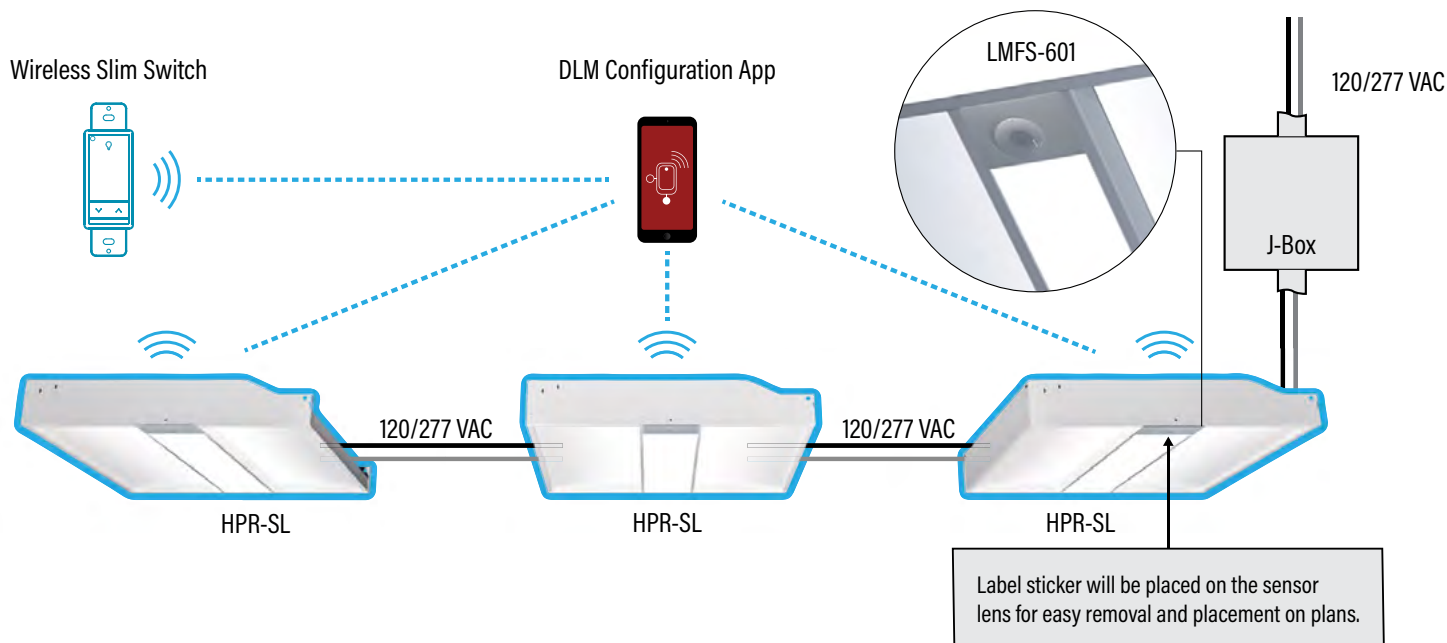


Submitted by:		Date:
Type:	Project:	
Ordering Info:		

High Performance Recessed Streamline HPR-SL

WATTSTOPPER WIRELESS SOLUTION (W601)

LMFS-601 spec sheet, install guide, and technical information can be found on Legrand.com



DLM Configuration App



Wireless Accessories	
Wall Stations	
Single Zone Dimming	LMSW-611-S
Dual Zone Dimming	LMSW-622-S
Scene Control	LMSW-641-S



Wireless Fixture Module
LMFS-601



Wireless Slim Switch Dimmer
LMSW-611-S Series



Wireless Slim Switch 2 Zone Dimmer
LMSW-622-S



Wireless Slim Switch Scene Control
LMSW-641-S

Programming Tools



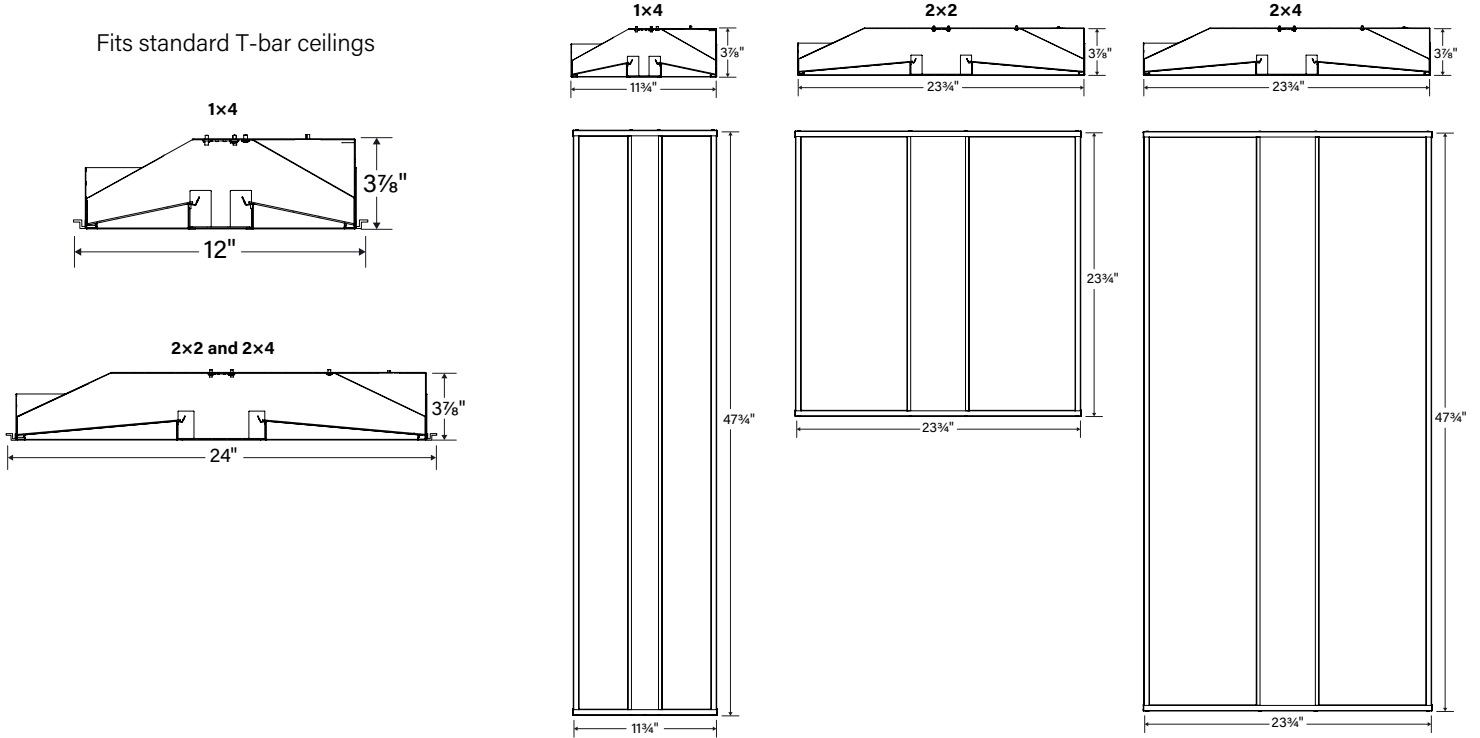
DLM Configuration App

Submitted by:		Date:
Type:	Project:	
Ordering Info:		

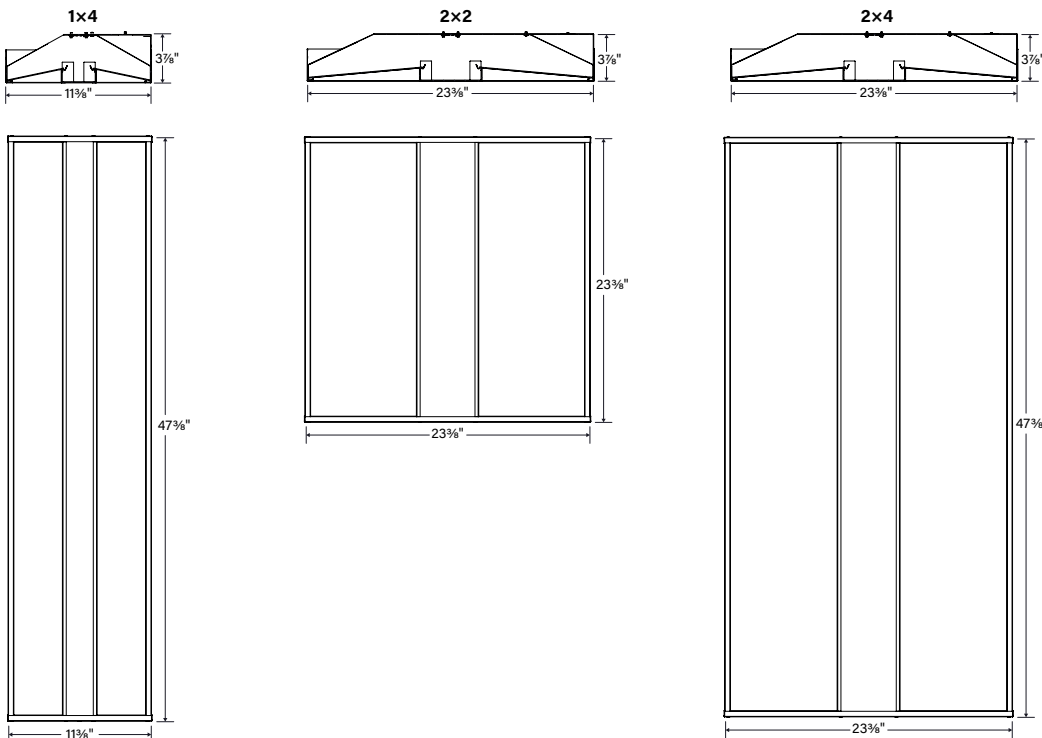
High Performance Recessed Streamline HPR-SL

C1 AND C2 CEILING TYPE CROSS SECTIONS

Fits standard T-bar ceilings



C2T, C3, AND DW CEILING TYPE CROSS SECTIONS



Submitted by:		Date:
Type:	Project:	
Ordering Info:		

High Performance Recessed Streamline HPR-SL

PHOTOMETRY

HPR-SL-2x4-V-835

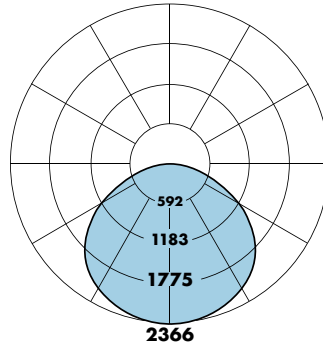
Efficacy: 149 lm/W

Total luminaire output: 6832 lumens
45.7 watts

Peak Candela Value: 2366 @ 0°

CRI: 80 / CCT: 3500K

LM79 Report 5155



CANDLEPOWER SUMMARY

	0.0	22.5	45	67.5	90
0	2363	2363	2363	2363	2366
5	2353	2347	2353	2358	2355
10	2319	2312	2322	2330	2328
15	2261	2258	2272	2286	2289
20	2183	2183	2206	2232	2239
25	2082	2088	2126	2166	2180
30	1965	1977	2032	2088	2110
35	1828	1847	1919	1993	2024
40	1677	1702	1789	1875	1910
45	1512	1542	1637	1728	1762
50	1341	1369	1465	1550	1580
55	1160	1187	1272	1342	1366
60	976	994	1062	1116	1134
65	785	799	845	881	895
70	599	604	633	655	662
75	412	414	428	439	442
80	242	241	246	246	246
85	99	85	73	87	80
90	3	3	2	3	3

Total Light Output, 3500K, 80 CRI (Lumens) ¹

1x4 ²				2x2 ²				2x4			
S	B	H	V	S	B	H	V	S	B	H	V
3248	4181	4764	6222	3448	4314	4856	6209	3586	4605	5241	6832

Power, 3500K (Total Watts)

1x4 ²				2x2 ²				2x4			
S	B	H	V	S	B	H	V	S	B	H	V
23.1	30.6	35.2	45.6	23.7	30.0	34.4	46.7	23.2	30.6	35.2	45.7

Efficacy, 3500K, 80 CRI (Lumens Per Watt)

1x4 ²				2x2 ²				2x4			
S	B	H	V	S	B	H	V	S	B	H	V
140	137	135	135	145	144	141	133	155	150	149	149

S - Standard Output, B - Boosted Standard Output, H - High Output, V - Very High Output

¹ Family Correlation based on 2x4 3500K Very High Output (V) test - 120V.

² Based on report: 5155

Wattage is Real Power. If you would like additional details to calculate Apparent Power, please contact your local Finelite representative.

Lumen Adjustment Factors 80 CRI

3000K	0.985
3500K	1.000
4000K	1.029

Lumen Adjustment Factors 90 CRI

3000K	0.838
3500K	0.868
4000K	0.897

High Output (H), 2'x4', 4000K, 90 CRI

Lumen Adjustment Factor: 0.897

Total Light Output: 5241 lm x 0.897 = 4701 lm

Watts: 35.2 W

$$\text{Efficacy} = \frac{4701 \text{ lm}}{35.2 \text{ W}} = 134 \text{ lm/W}$$