

HP-2 / HP-4 Arm Mount Installation Instructions

Overview

NOTES

- All power connections should be installed according to local/national codes by a Certified Electrician.
- This installation requires **proper support** as each luminaire is being installed.
- **DO NOT attempt to join luminaires together on the floor.** Damage may result when lifted.



HELPFUL
VIDEOS



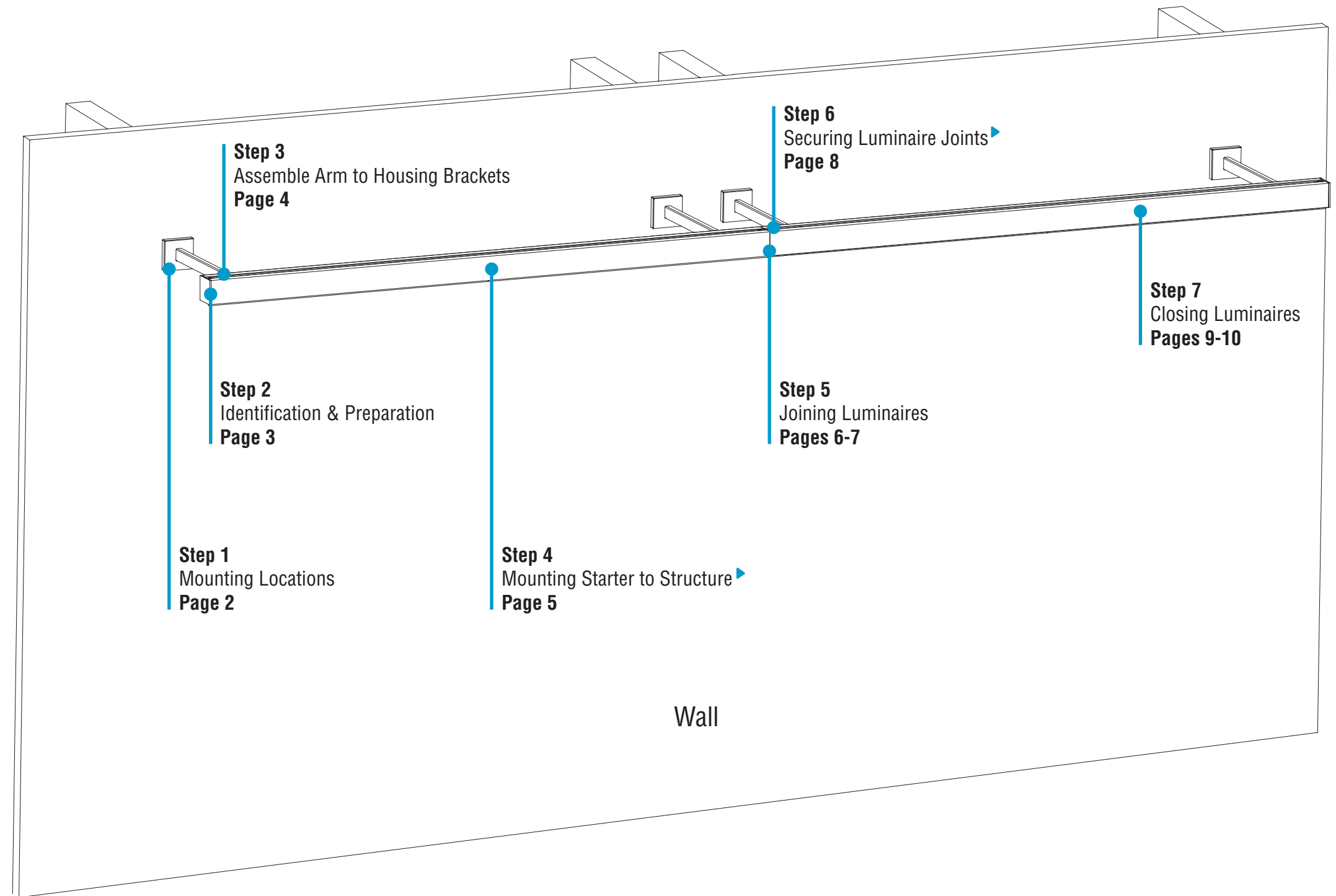
0-10V
Dimming



Universal &
Robust Joints



Simple
Plug-Together
Wiring

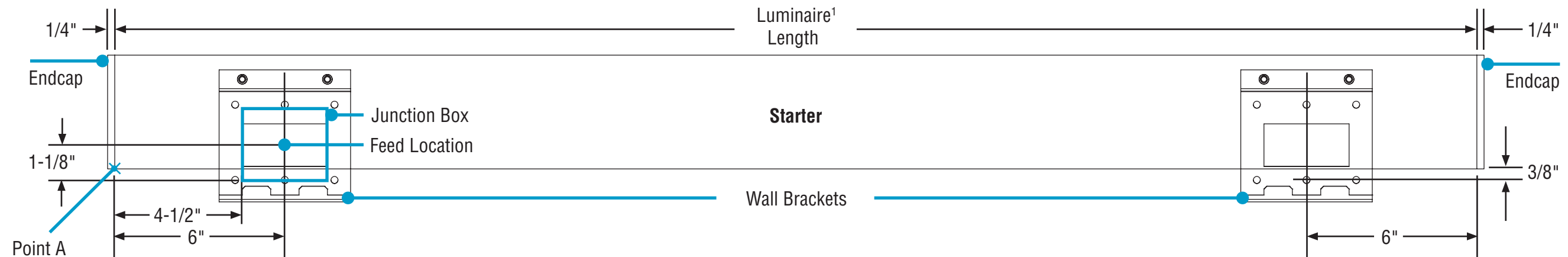


HP-2 / HP-4 Arm Mount Installation Instructions

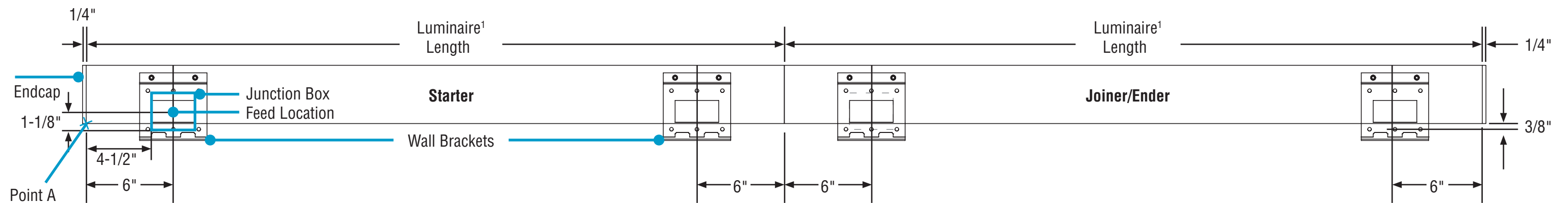
Step 1 – Mounting Locations

A. Starter/Independent Mounting Locations

Starter/Independents only require 2 arm brackets up to 12 feet.



B. Joiner/Ender Mounting Locations



- Position luminaire on wall in desired location.
- Mark the bottom corner of the luminaire, not including the endcap. This is Point A. Use Point A to mark feed location and install junction box.
- Center of wall brackets is 6" from Point A.
- Ensure wall brackets are secured to proper structural support.

¹ Luminaire length not including endcap.

HP-2 / HP-4 Arm Mount Installation Instructions

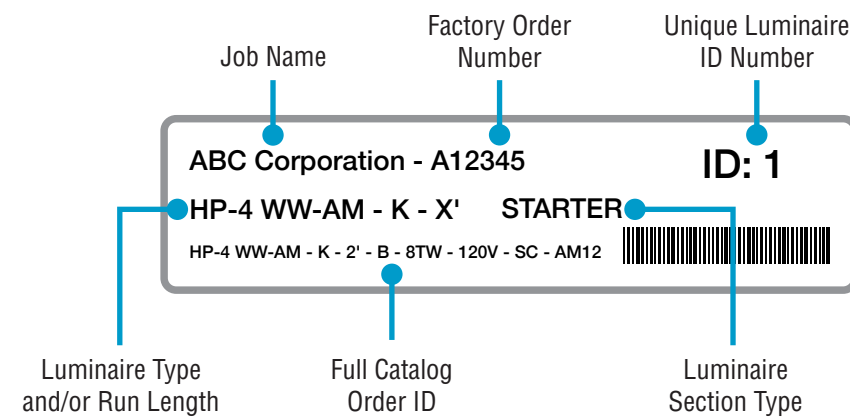
Step 2 - Identification & Preparation

Identify Luminaires



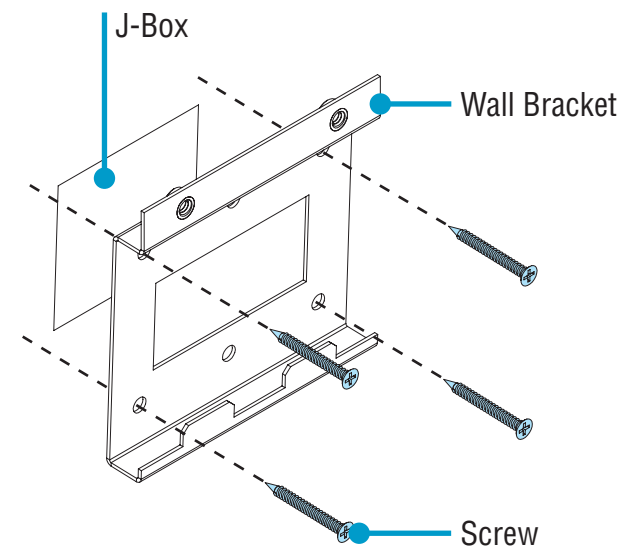
Arrange luminaires in order according to ID# at their install locations.

CAUTION



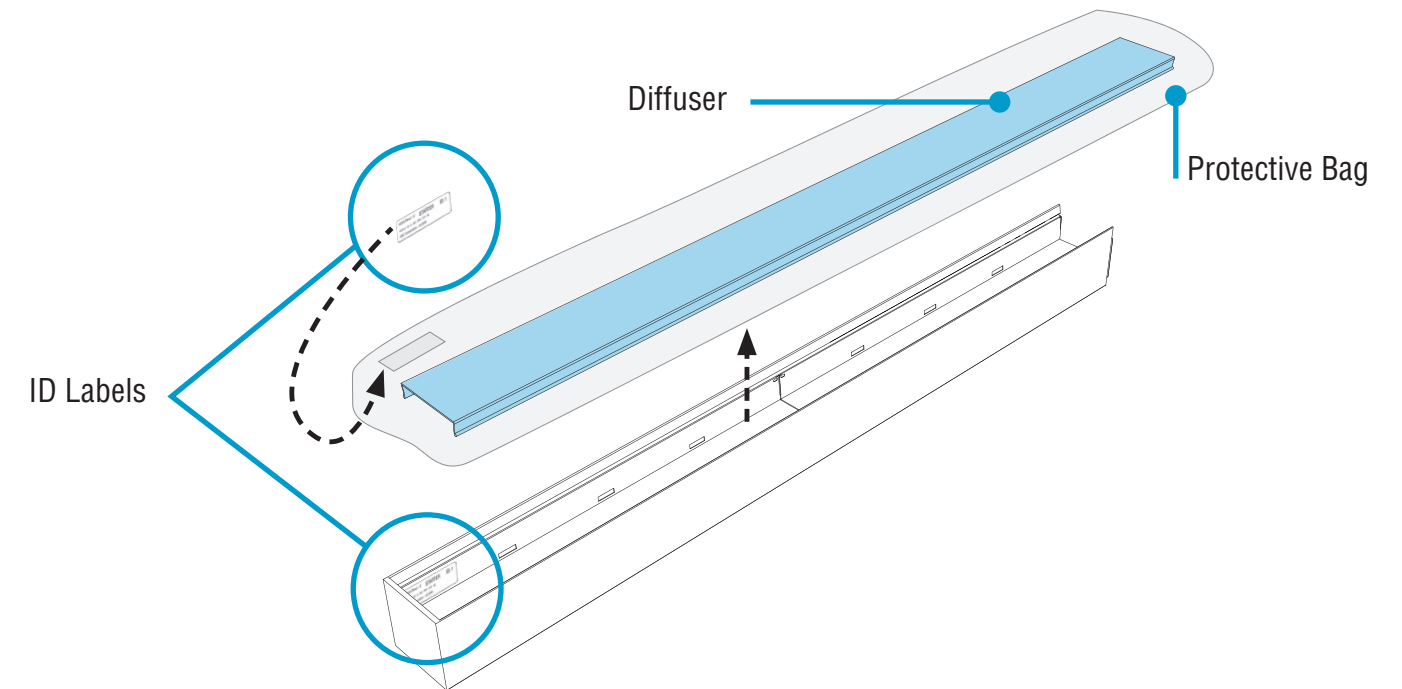
- Identify all luminaires by their ID label that can be found on the box, on the diffuser, and inside the luminaire.
- **NOTE:** Exact location of labels in these areas may vary.
- Remove all luminaires from their box.
- Refer to Record Drawings that can be found in the hardware kit.

Install Wall Bracket



- Level wall bracket to ensure proper mounting.
- Install screws or fasteners appropriate for structure type through bracket and into structurally secured blocking.

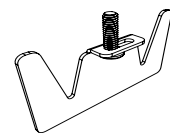
Remove Diffuser



- Carefully remove all diffusers keeping them inside their protective bags.
- Set aside all diffusers to prevent from getting dirty or damaged.
- Ensure diffusers can be clearly identified back to their corresponding luminaire.

Kitted Hardware

- Finelite has provided items listed here, with their Finelite part numbers. These items can be found in separate boxes shipped with the luminaire.
- Account for all parts and set aside until they are needed.
- All other hardware needed for this installation will be by others.



Yoke Bracket
Part# 45042

#10-32 x 5/8" Screw
Part# 94144
Securing Luminaire Joints
p. 8, Step 6



#10 x 1/2" Screw
Part# 92081
Closing Luminaires
p. 10, Step 7



#1/4-20 x 5/8" Screw
Part# 92294
Mounting Starter to Structure
p. 5, Step 4
Closing Luminaires
p. 9, Step 7



#8-18 x 1/4" Screw
Part# 69026
Joining Luminaires
p. 7, Step 5
Closing Luminaires
p. 9-10, Step 7



#10-32 x 5/8" Screw
Part# 94144
Assemble Arm to Housing Brackets
p. 4, Step 3

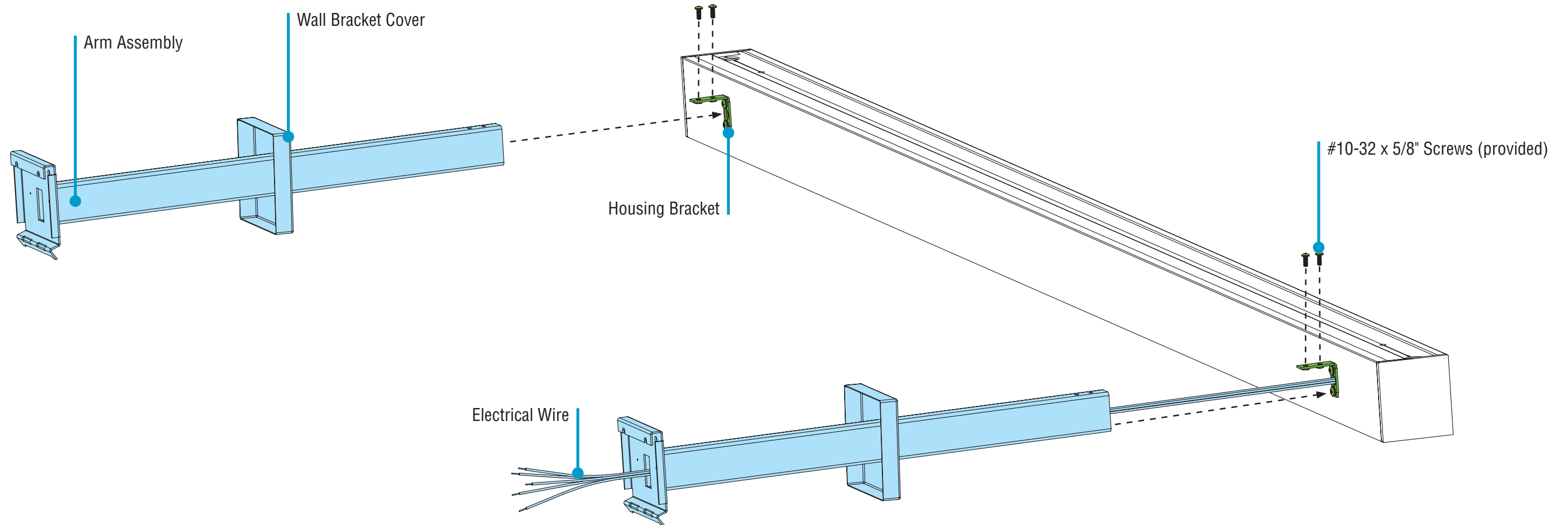


1/4" Washer
Part# 94082
Joining Luminaires
p. 7, Step 5
Closing Luminaires
p. 9-10, Step 7


HP-2 / HP-4 Arm Mount Installation Instructions

Step 3 - Assemble Arm to Housing Brackets

A. Assemble Arm



- **CRITICAL:** Perform this step for both arms on a flat surface.
- Slide arm assembly into housing brackets. Ensure that wall bracket cover is away from the ends of the arm.
- Pass electrical wire through the channel of the arm assembly.
- Install #10-32 x 5/8" screws to secure arm assembly onto housing bracket.
- **NOTE:** Perform this step on all joiner/ender luminaires.

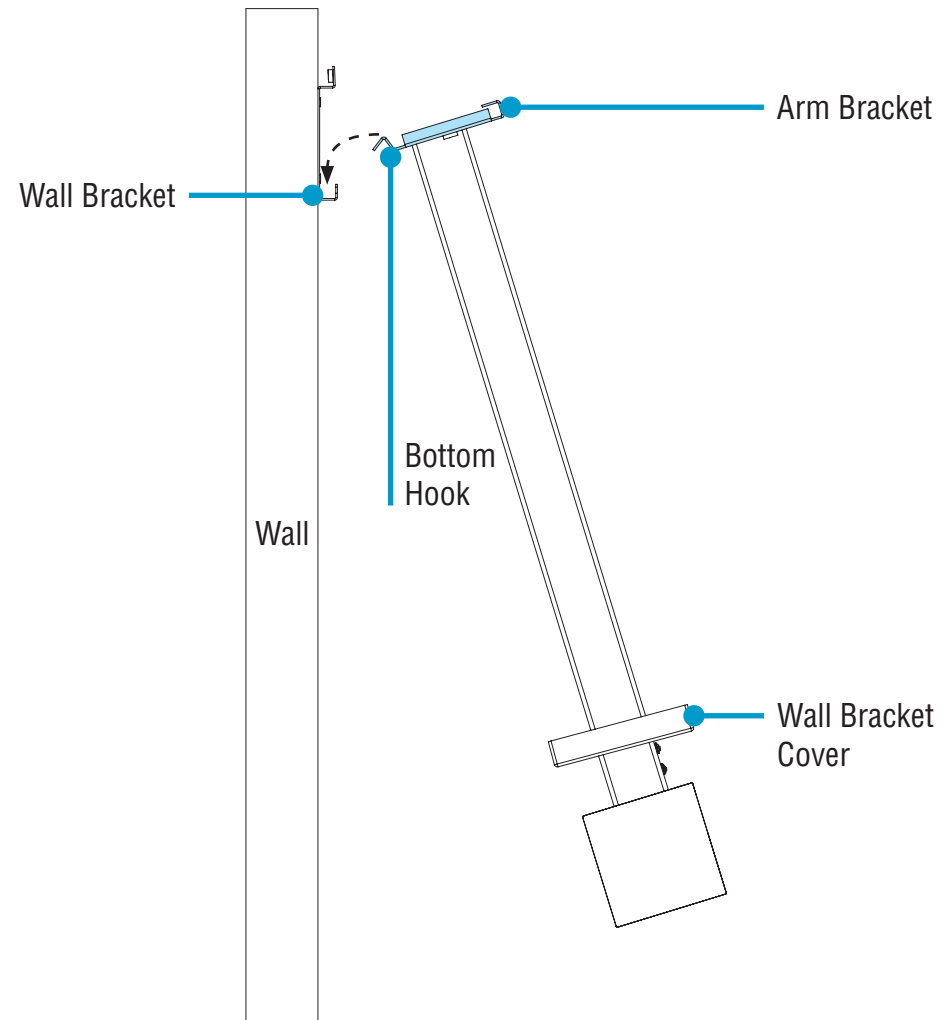
 #10-32 x 5/8" Screw
(provided)

¹ Preferred power feed location shown.
² Part by others but also available from Finelite upon request.

HP-2 / HP-4 Arm Mount Installation Instructions

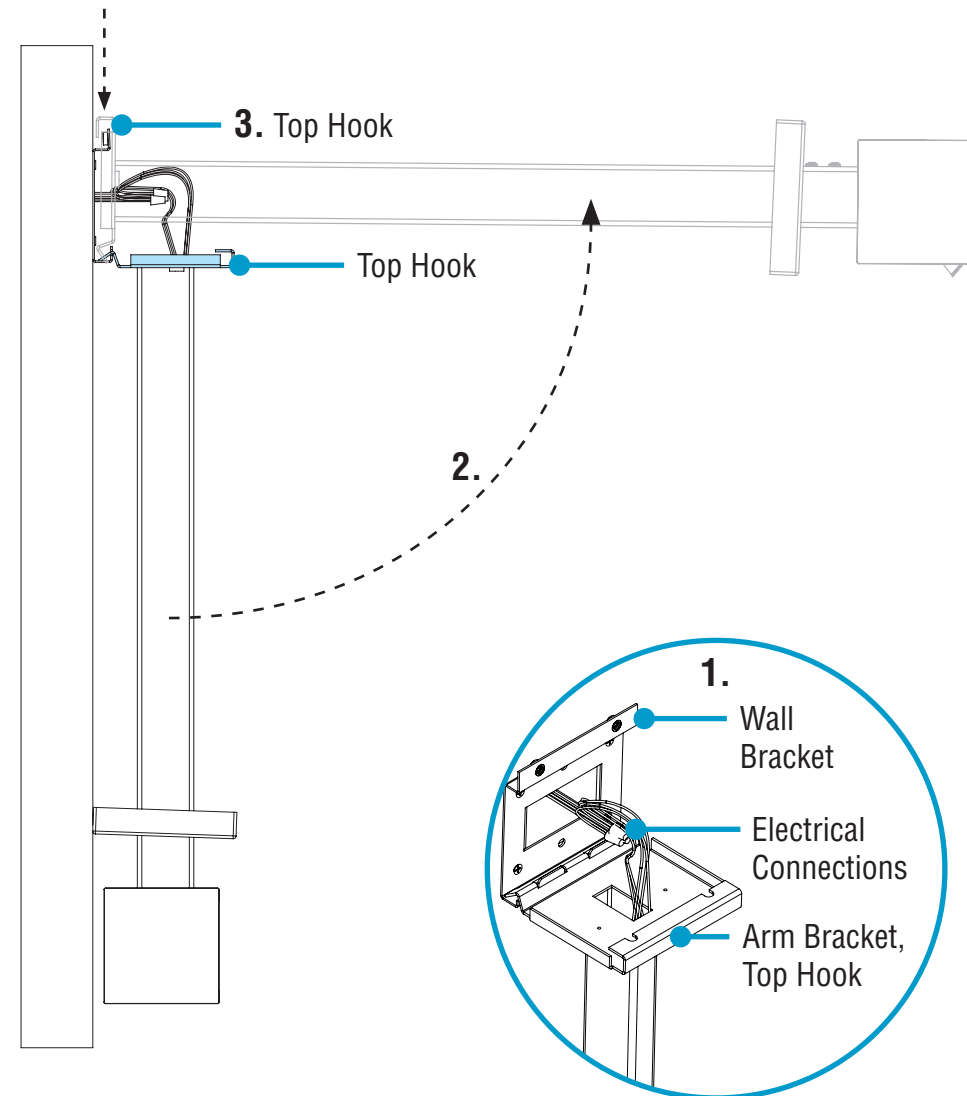
Step 4 - Mounting Starter to Structure

A. Hang Luminaire



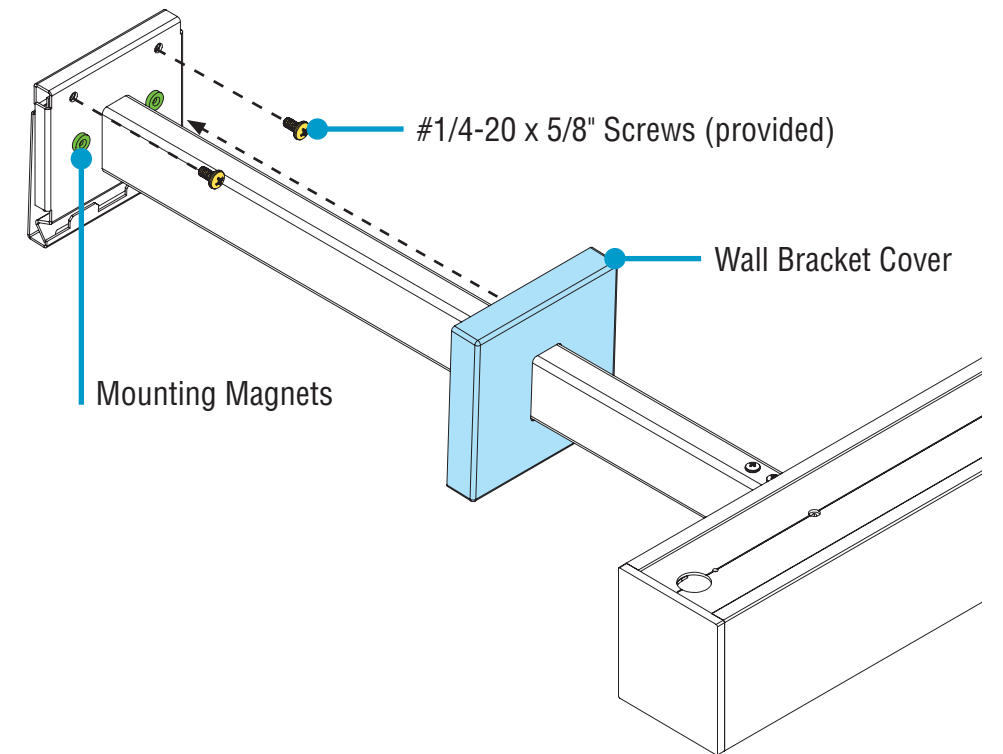
- Let luminaire hang on the wall for wiring by hooking the arm bracket to engage bottom hook onto the wall bracket.

B. Connect Wires




- 1. Make electrical connections and push completed wiring into junction box. Install luminaire onto wall by disengaging the bottom hook from the wall bracket.
- 2. Rotate the arm assembly perpendicular to the wall.
- 3. Hook the arm bracket onto the wall bracket and engage the top hook of the arm bracket.

C. Secure Luminaire



- Install #1/4-20 x 5/8" screws onto the arm brackets, engaging the wall brackets.
- Use screws to level luminaire. Tighten to raise and loosen to lower.
- Slide wall bracket cover along arm towards the wall until mounting magnets engage the wall bracket cover to hold it in place.
- **CRITICAL:** If part of an independent run, **PROCEED TO STEP 7D.**
- **NOTE:** For joiner/ender no need to install the wall bracket cover. **PROCEED TO STEP 5.**

 #1/4-20 x 5/8" Screw
(provided)

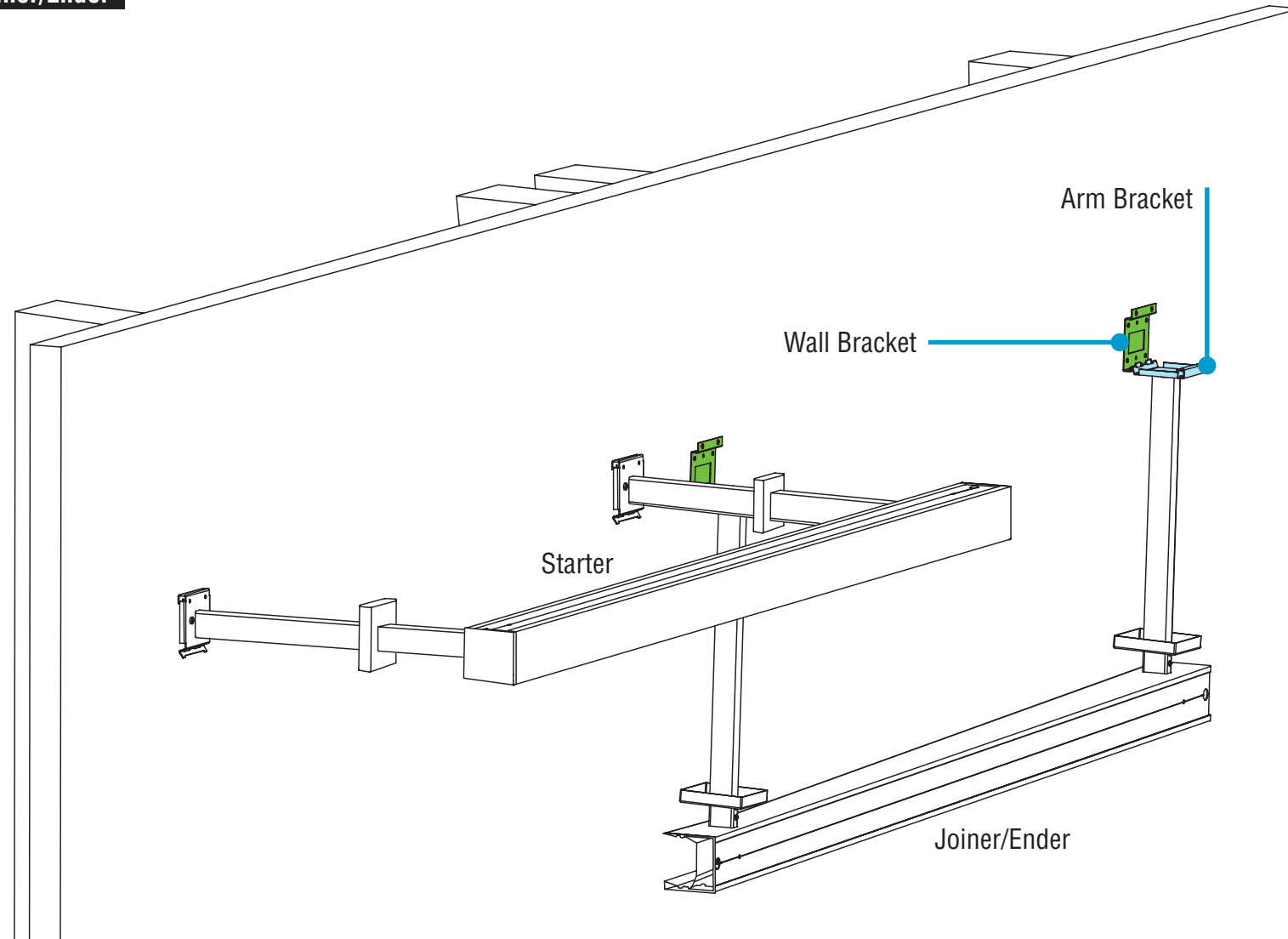


0-10V
Dimming

HP-2 / HP-4 Arm Mount Installation Instructions

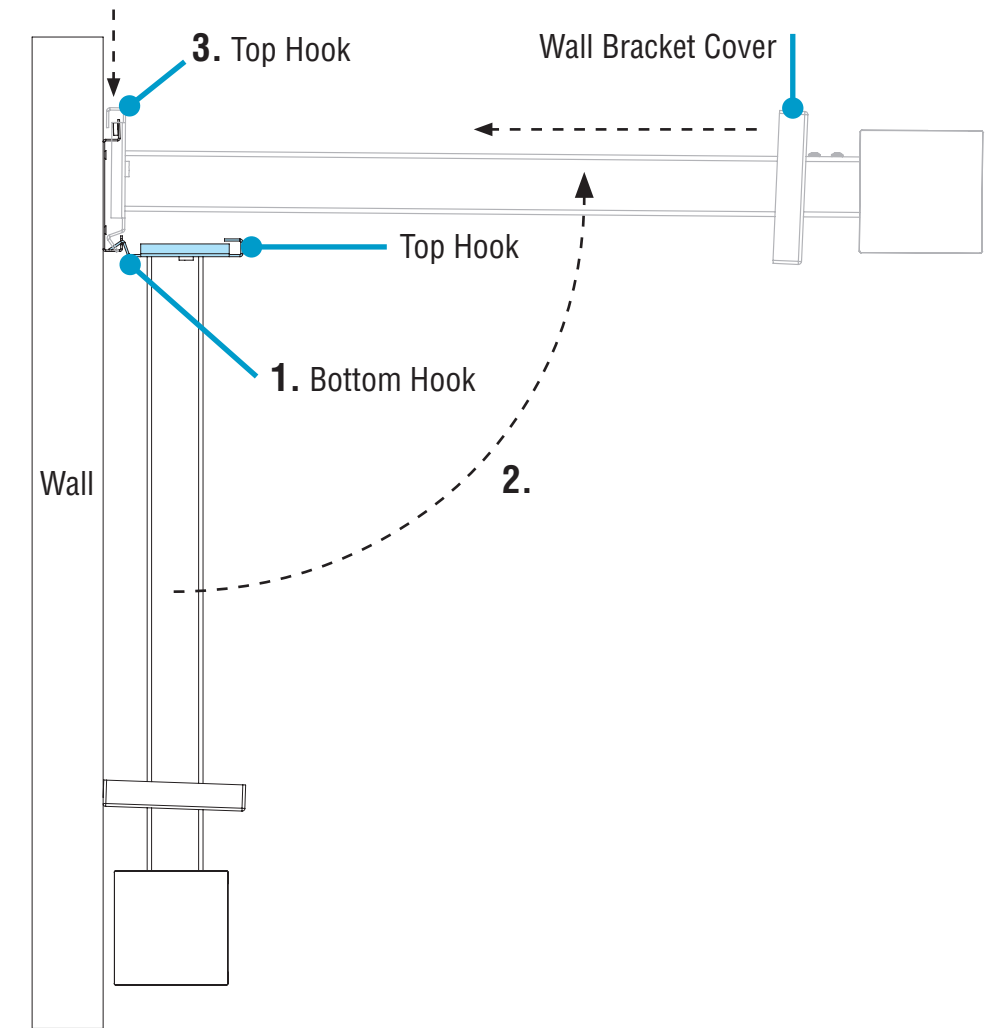
Step 5 - Joining Luminaires

A. Hang Joiner/Ender



- Let joiner/ender luminaire hang on the wall by hooking the arm bracket to engage bottom hooks onto the wall bracket.

B. Secure Joiner/Ender



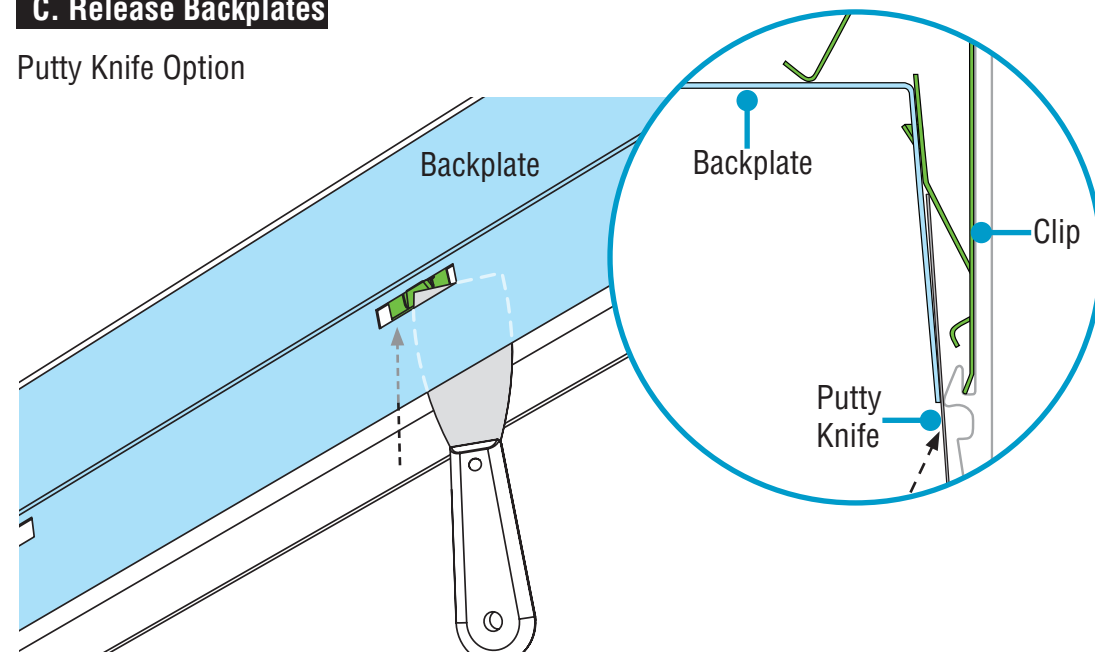
- 1. Install luminaire onto wall by disengaging the bottom hook from the wall bracket.
- 2. Rotate the arm assembly to be perpendicular to the wall.
- 3. Hook the arm bracket onto the wall bracket, engaging the top hook of the arm bracket.

HP-2 / HP-4 Arm Mount Installation Instructions

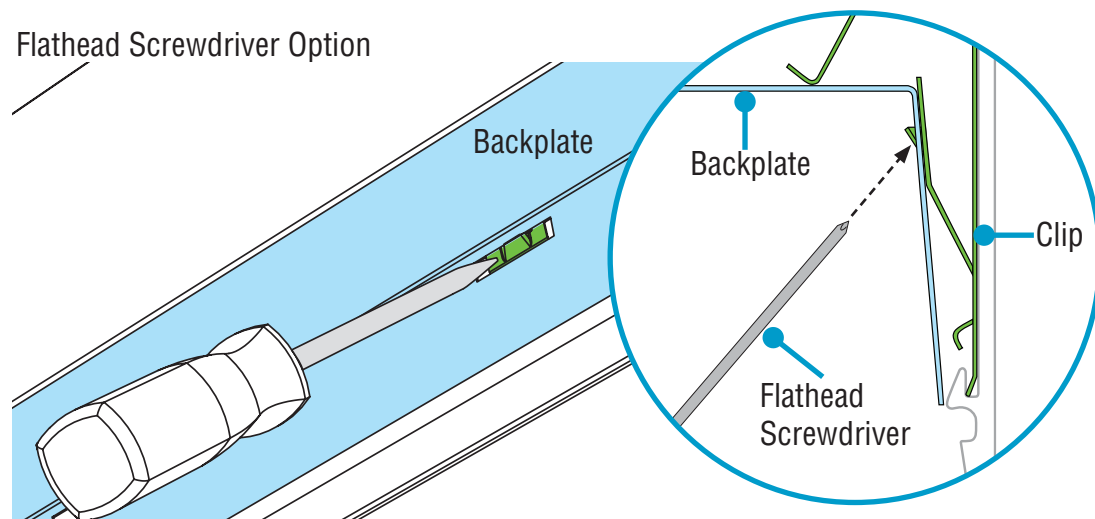
Step 5 - Joining Luminaires (Opening)

C. Release Backplates

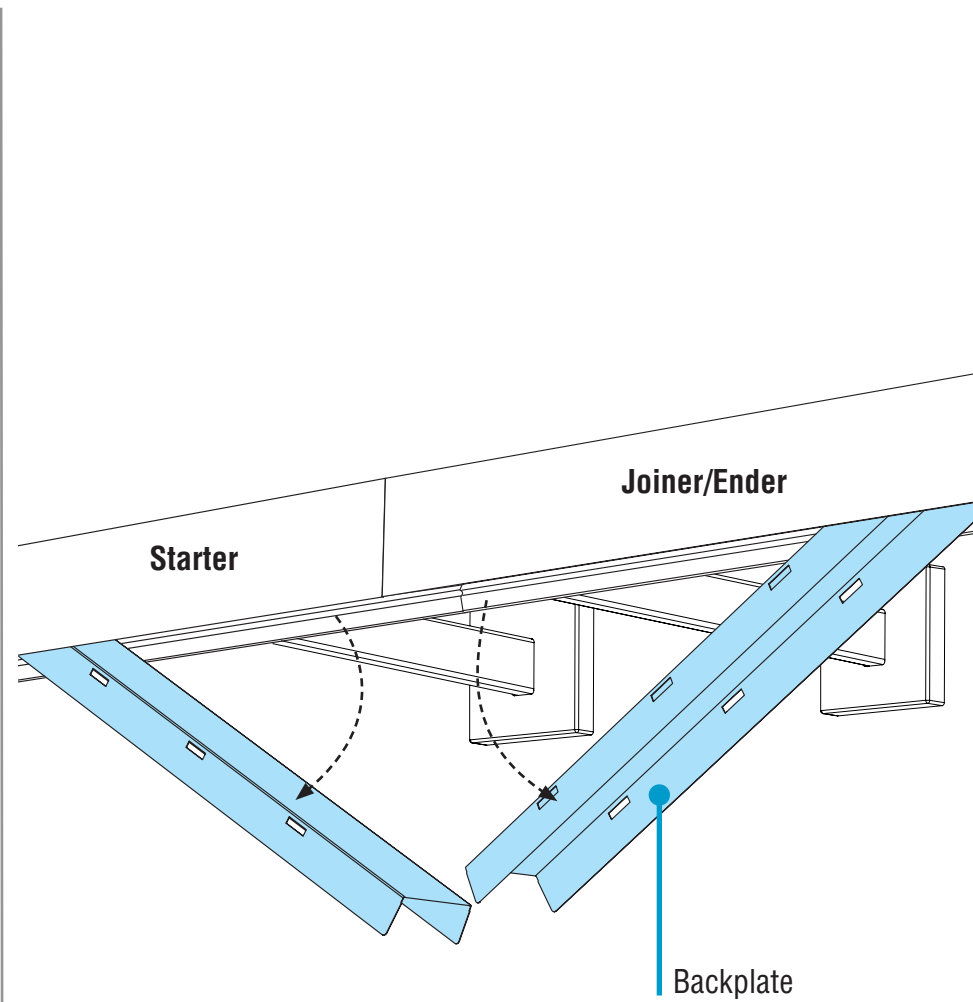
Putty Knife Option



Flathead Screwdriver Option

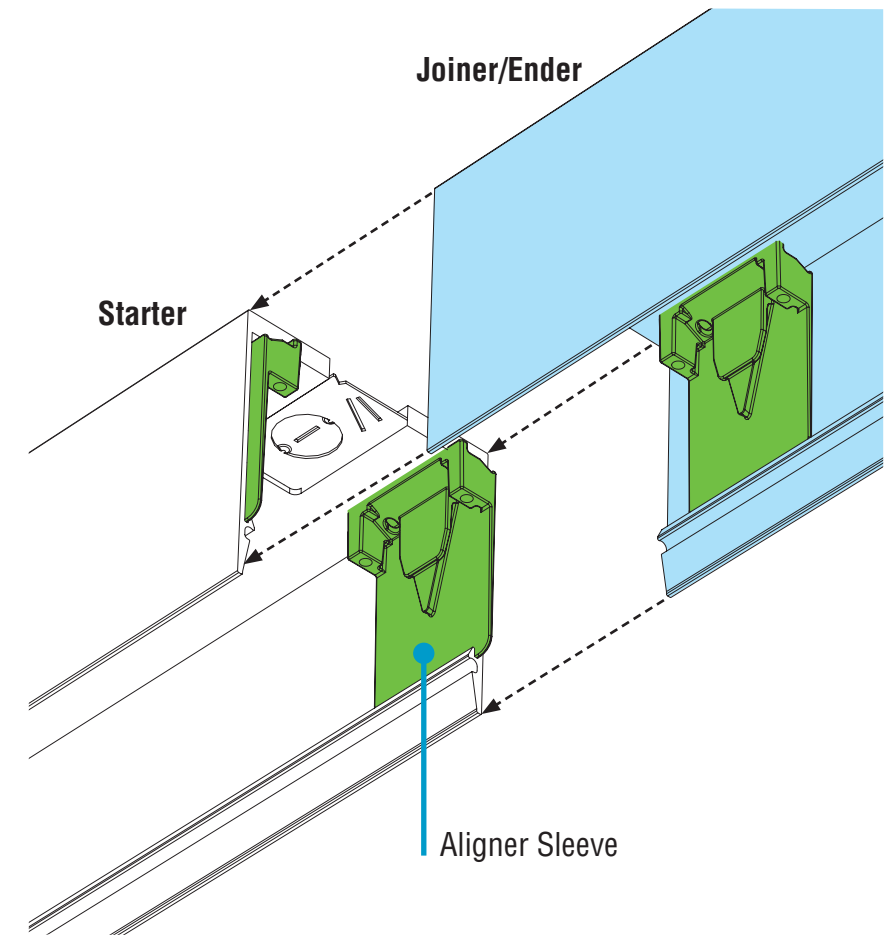


- **NOTE:** For independent luminaires, backplates do not need to be released.
- Release the backplates from clips by sliding the blade of a putty knife behind backplate edges.
- To use a flathead screwdriver, from inside backplate, press end of screwdriver against the clip until the backplate is released.



- Carefully rotate backplates out **at the joints only** and let them hang from luminaire body.

D. Join Luminaires



- Align joiner/ender with aligner sleeves on starter and slide together. Be careful not to damage any wiring.
- If necessary, **lift** both luminaires, then slide together.

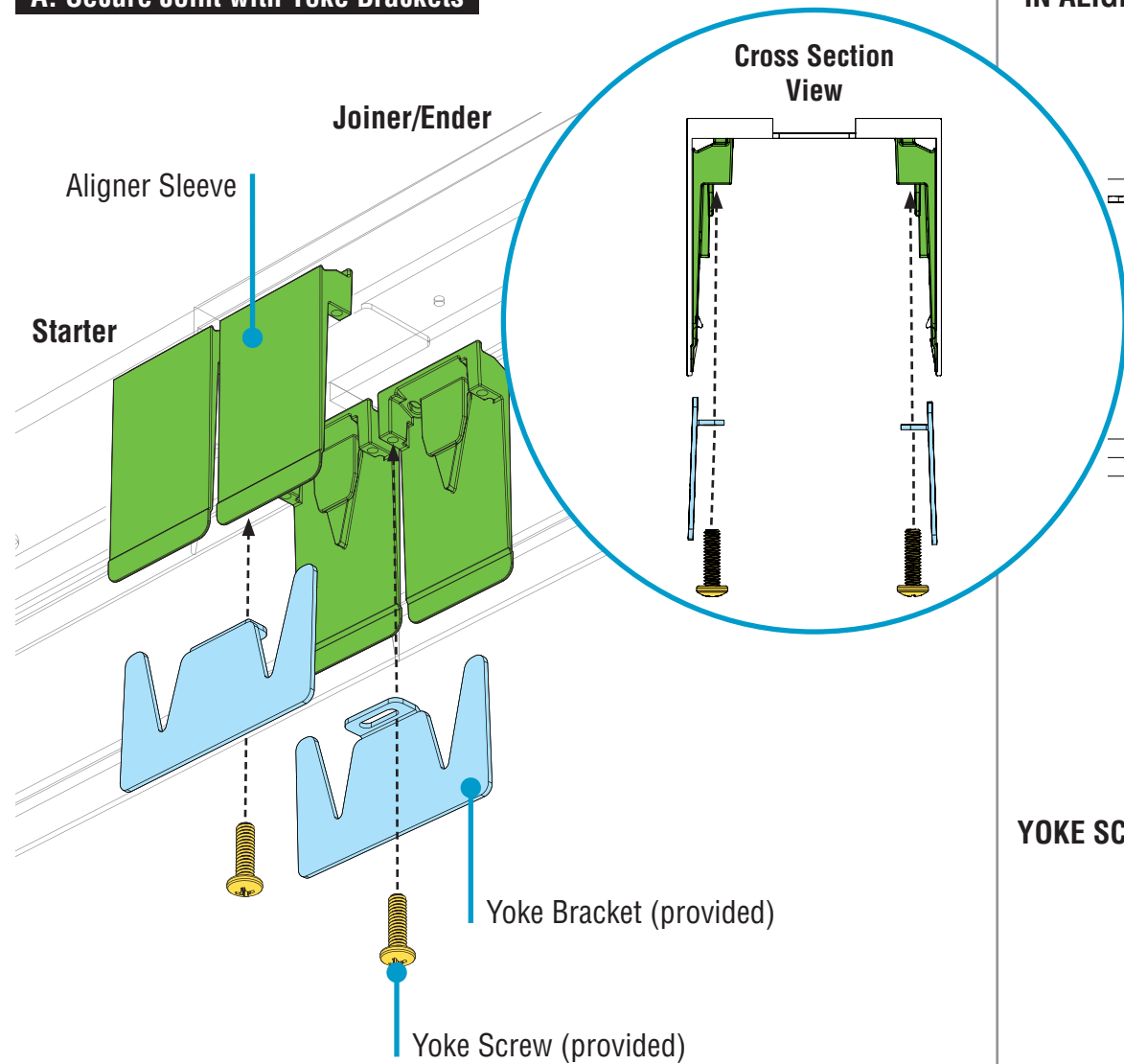


Effortless
Access

HP-2 / HP-4 Arm Mount Installation Instructions

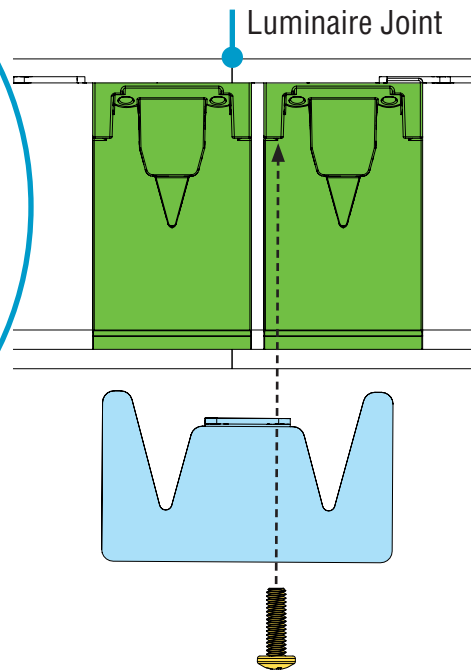
Step 6 - Securing Luminaire Joints

A. Secure Joint with Yoke Brackets

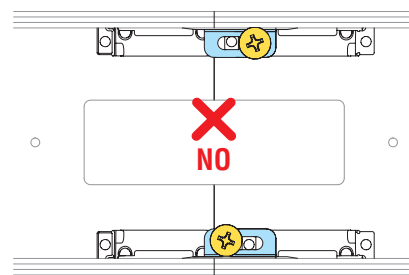


- Before installing yoke brackets, ensure the joining ends of luminaires meet flush and square.
- **CRITICAL:** Ensure yoke brackets properly engage with aligner sleeves.
- Secure joint by using a screwdriver¹ to tighten yoke screws through yoke brackets and into the aligner sleeves until joint seam of luminaire is closed.

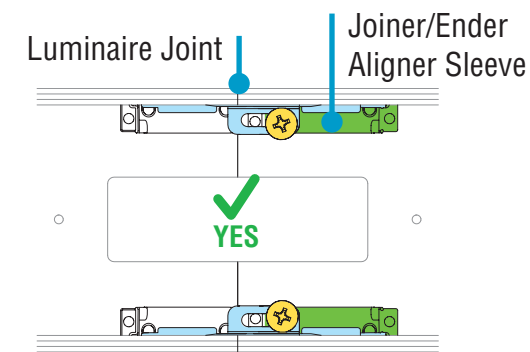
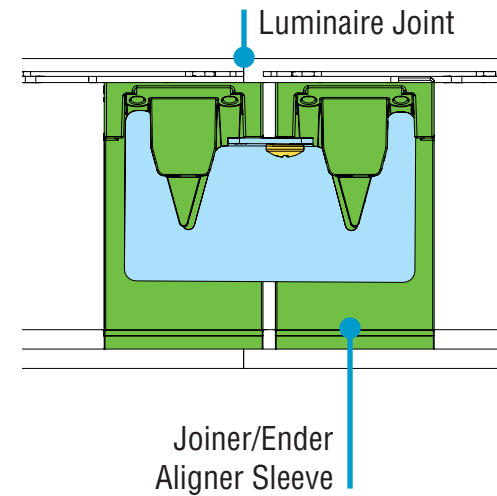
IN ALIGNMENT



YOKE SCREW ALIGNMENT Bottom-Up View

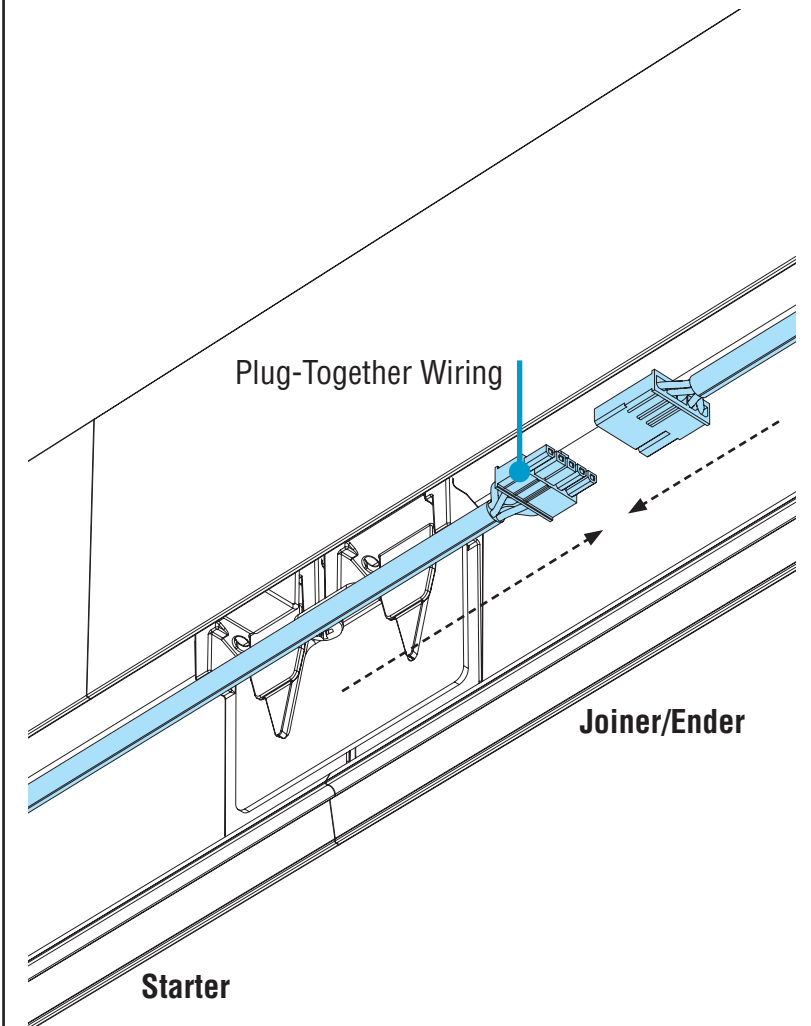


CORRECTLY INSTALLED

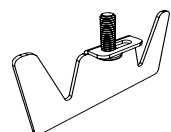


NOTE: Yoke screws should be installed directly across from each other, not diagonally, and in holes furthest from the joint line. One yoke screw per one yoke bracket.

B. Make Electrical Connections



- Connect plug-together wiring.



Yoke Bracket w/ Screw
#10-32 x 5/8" (provided)

¹ Screwdriver with 6" bit required.



Universal & Robust Joints

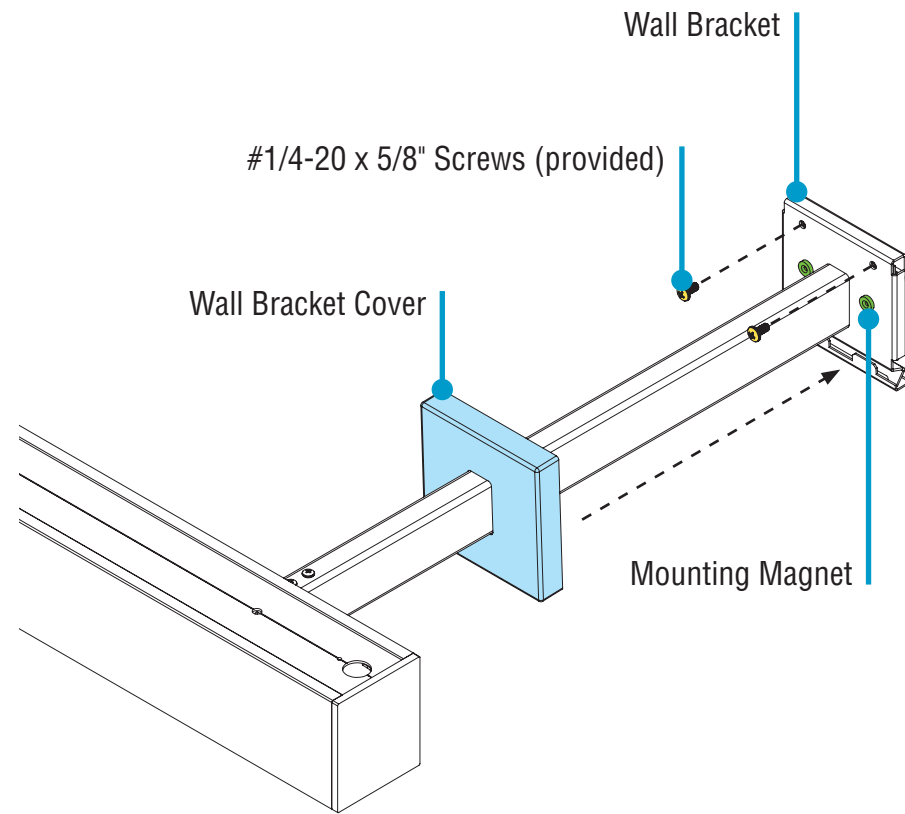


Simple Plug-Together Wiring

HP-2 / HP-4 Arm Mount Installation Instructions

Step 7 - Closing Luminaires

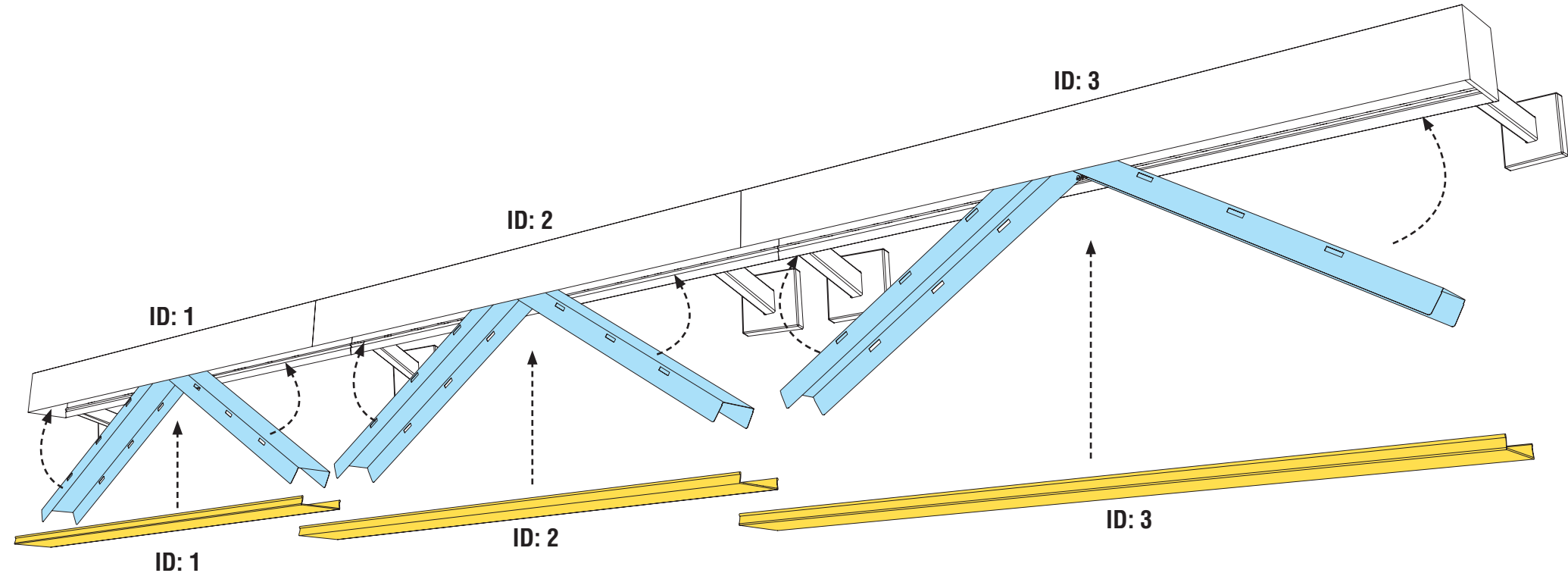
A. Install #1/4-20 x 5/8" Screws




- Install #1/4-20 x 5/8" screws onto the arm brackets, engaging the wall brackets.
- Use screws to level luminaire. Tighten to raise and loosen to lower.
- Slide wall bracket cover along arm towards the wall until mounting magnets engage the wall bracket cover to hold it in place.


B. Final Step - Replace Backplates & Diffusers


NOTE: For White Cross Blade Baffle, refer to Baffle Tether Addendum before installing.



- **NOTE:** If your installation includes a battery backup, please see addendum (98333) that should be included with your kitting package.
- Reinstall any open backplates by rotating into luminaire body and snapping back into clips.
- Remove diffusers from protective plastic bags.
- **CAUTION:** Wear gloves to keep diffuser or louver surface clean.
- **CRITICAL:** Be sure to install correct diffuser to its corresponding luminaire ID.
- **NOTE:** For White Cross Blade Baffle, refer to Baffle Tether Addendum before installing.
- Install diffuser into luminaire body, ensuring it snaps into place.
- Turn power on to luminaires.

 #1/4-20 x 5/8" Screw
(provided)

 #8-18 x 1/4" Screw
(provided)

 1/4" Washer
(provided)