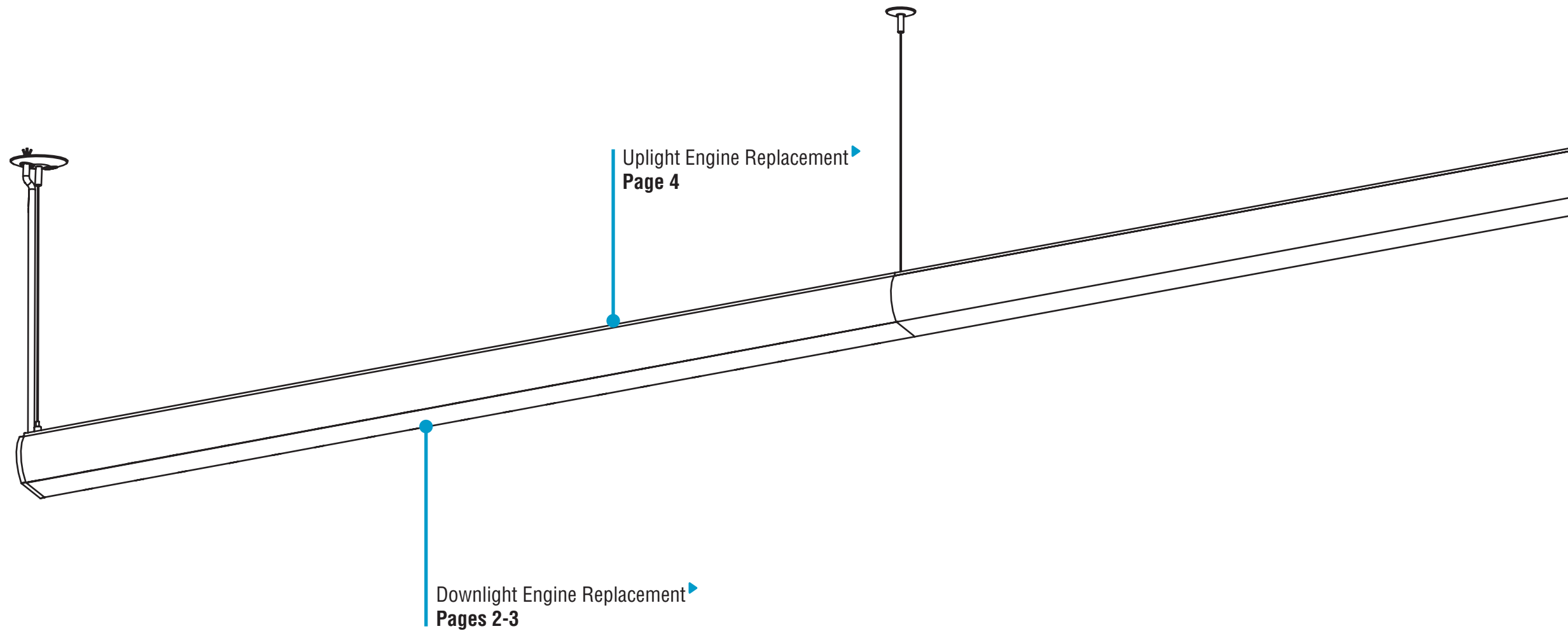


HPO LED Engine Replacement Instructions

Overview

- NOTES** | • All power connections should be installed according to local/national codes by a Certified Electrician.



HPO LED Engine Replacement Instructions

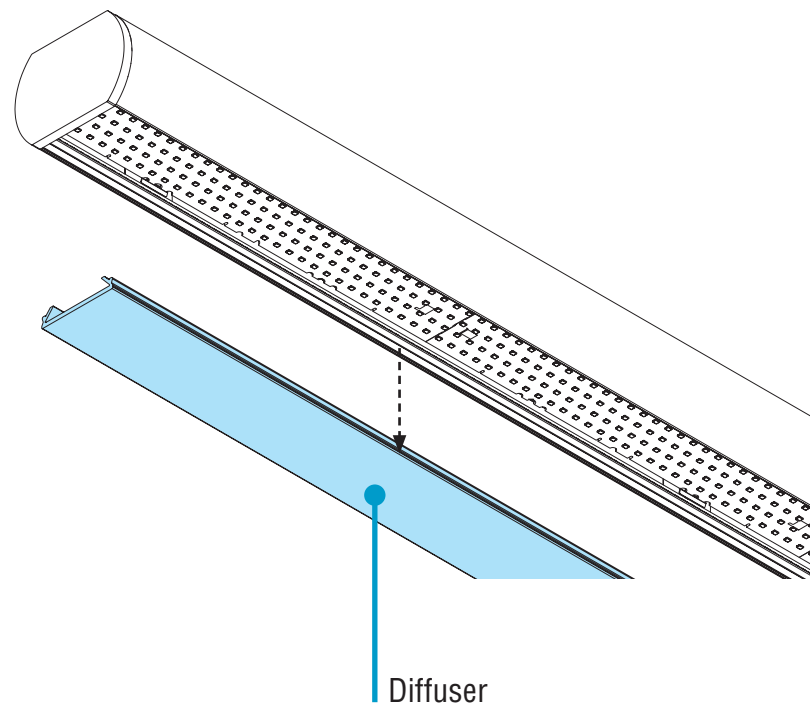
Step 1 - Opening Luminaire

A. Remove Diffuser Bottom-Up View



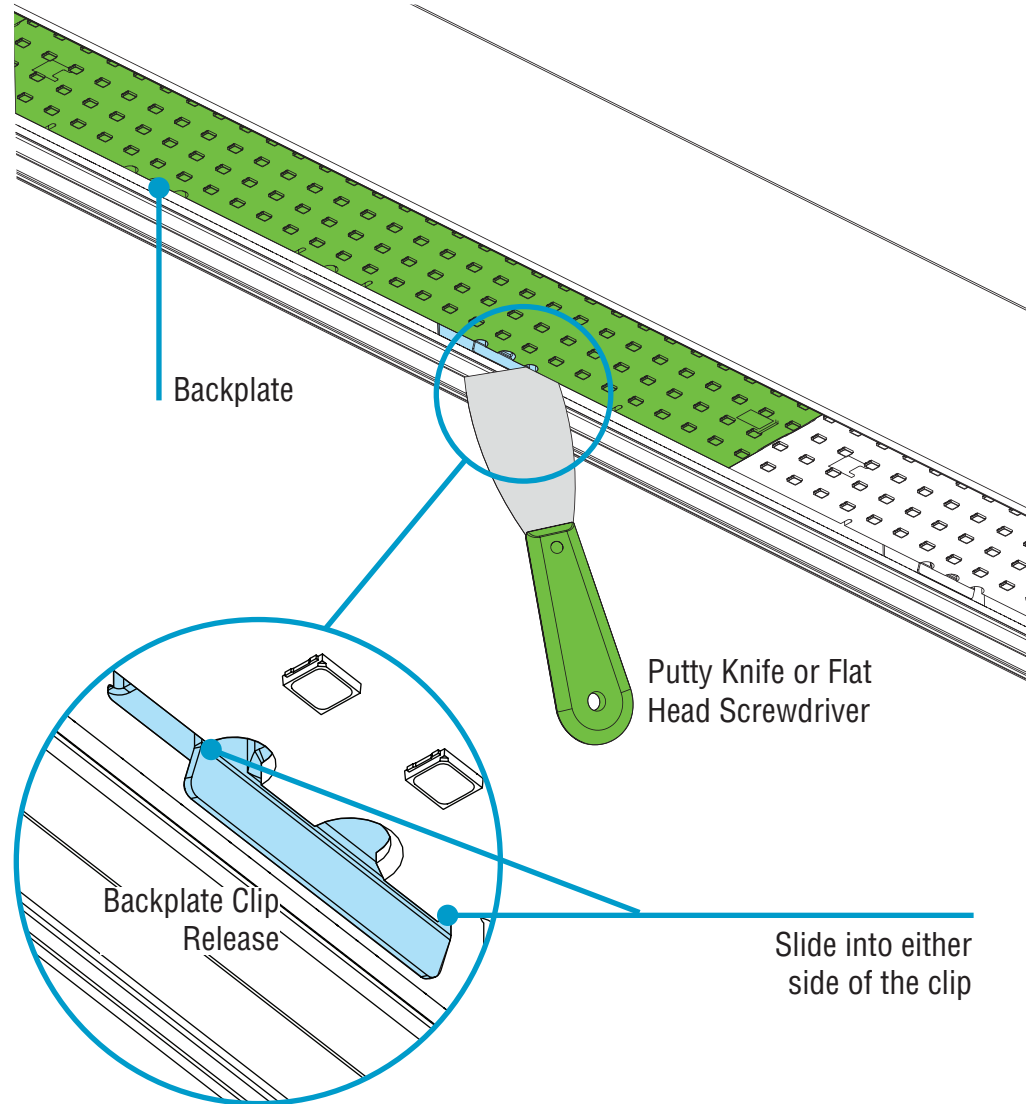
Wear gloves to keep diffuser surface clean.

CAUTION

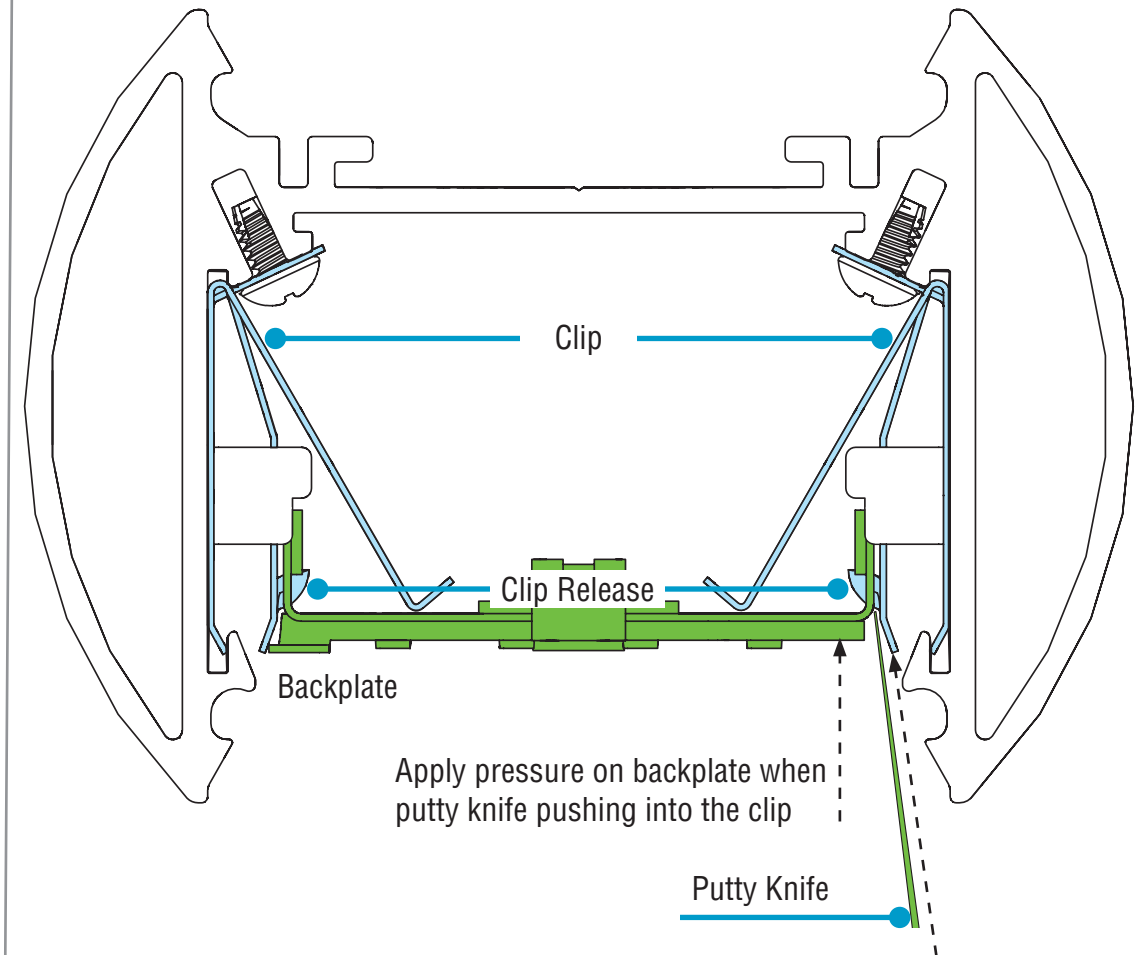


- Turn power off to luminaire.
- **CAUTION:** Wear gloves to keep diffuser surface clean.
- Carefully remove diffuser and set aside to prevent from getting dirty or damaged.

B. Remove Backplate Bottom-Up View



- Locate the backplate clip and use Putty Knife or Flat Head Screwdriver slide into either side of the clip
- Apply mild pressure to backplate when Putty Knife or Flat Head Screwdriver pushing into backplate clip release

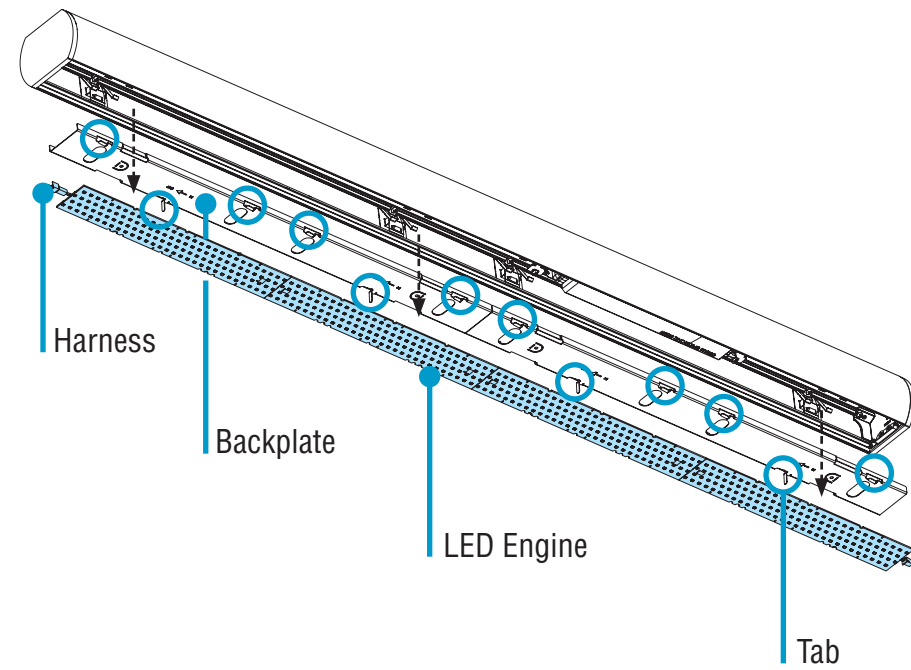


- Hear a click sound to release the backplate
- Four backplate clip per LED backplate. Release all four before remove backplate

HPO LED Engine Replacement Instructions

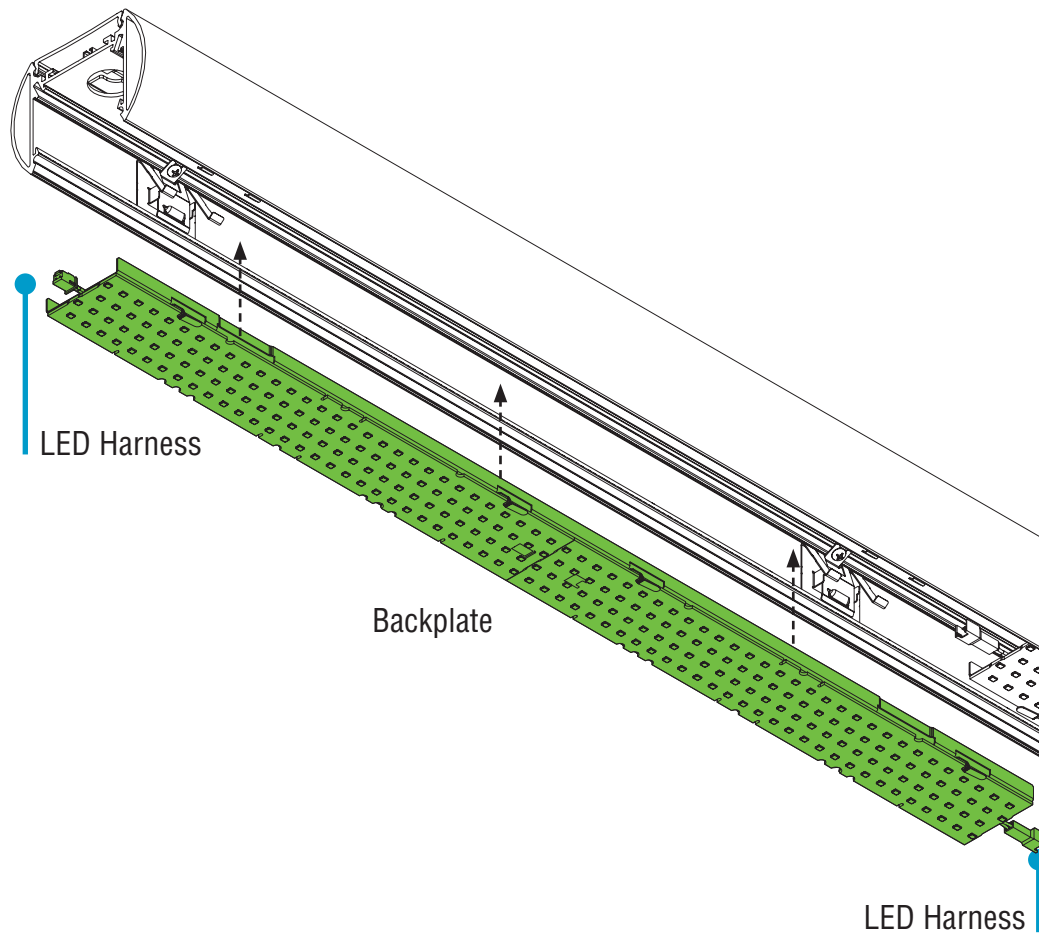
Step 2 - Replace Engine

A. Replace Downlight LED Engine Bottom-Up View



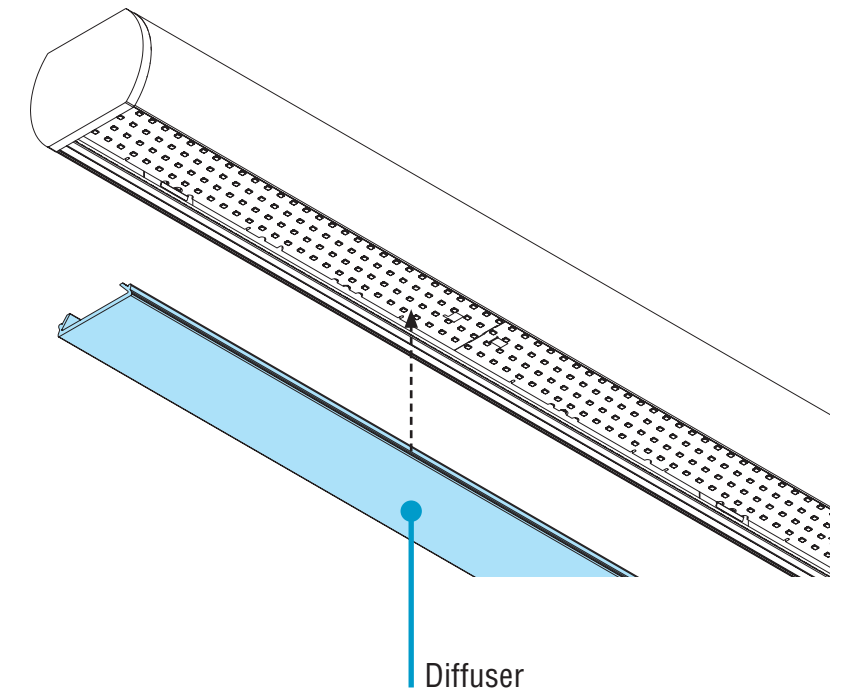
- Bend tabs to release LED engine from backplate.
- Replace with new LED engine and secure onto backplate with tabs.
- Reconnect harness to LED engine.

B. Replace Backplate Bottom-Up View



- Reinstall backplates by inserting into luminaire body. Hear 4 clicks per LED backplate. Make sure ALL LED backplate secure before install diffusers.

C. Final Step - Replace Diffuser Bottom-Up View



- **CAUTION:** Wear gloves to keep diffuser surface clean.
- Install diffuser into luminaire body, ensuring it snaps into place.
- Turn power on to luminaire.

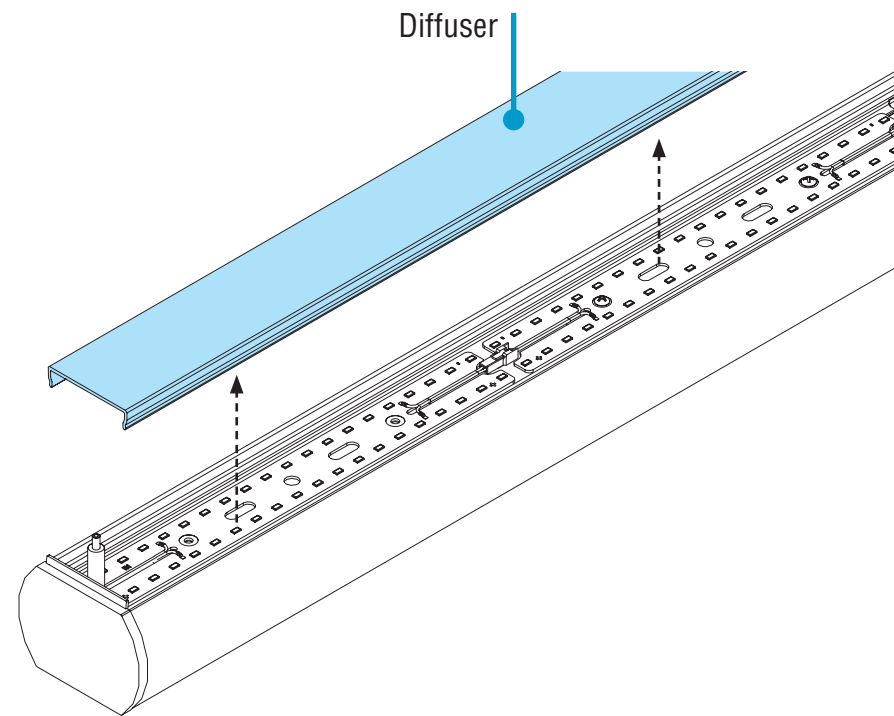
HPO LED Engine Replacement Instructions

Step 1 - Opening Luminaire and Replace LED Engine

A. Remove Diffuser Top-Down View

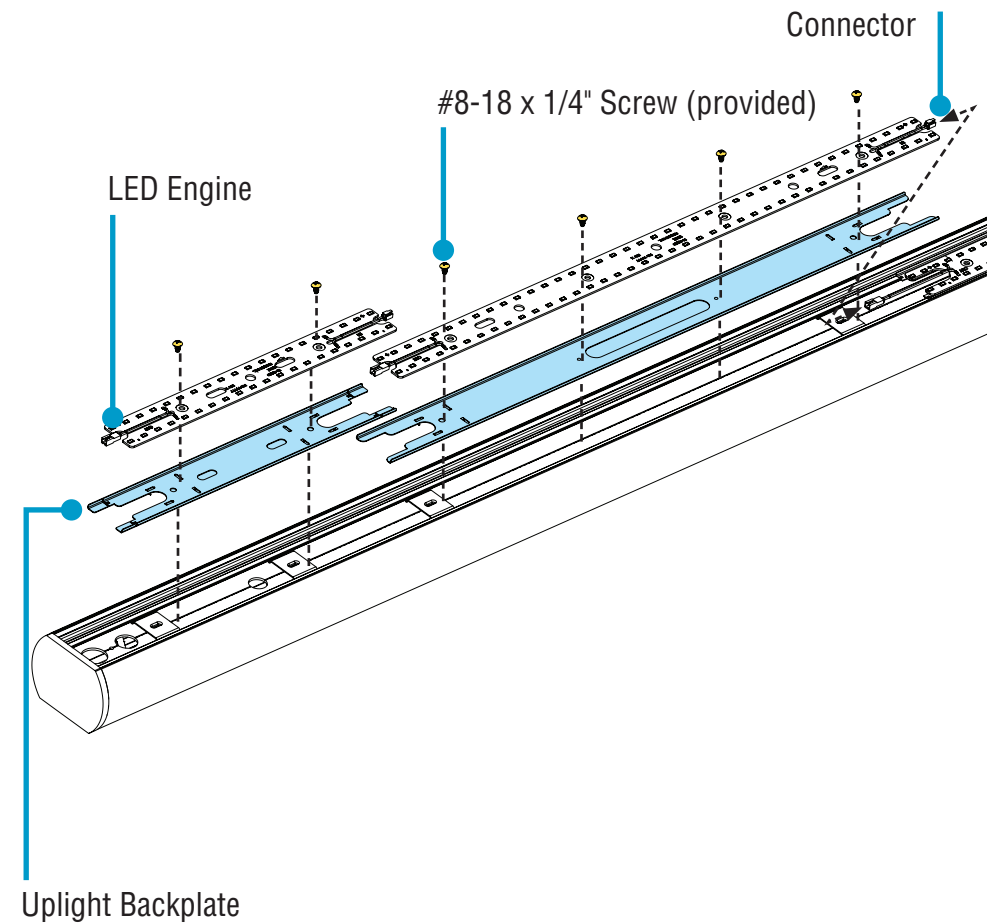


Wear gloves to keep diffuser surface clean.



- Turn power off to luminaire.
- **CAUTION:** Wear gloves to keep diffuser surface clean.
- Remove diffuser and set aside to prevent from getting dirty or damaged.

B. Replace LED Engines Top-Down View

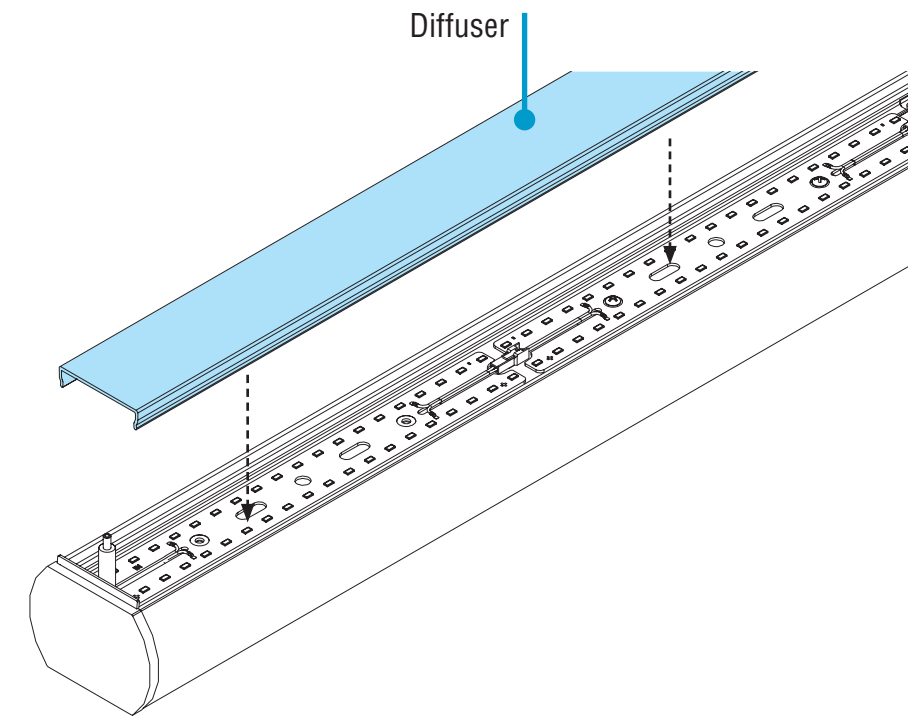


- Remove #8-18 x 1/4" screws to release upright backplate.
- Remove old LED engine and replace with new LED engine.
- Reconnect harness to LED engine.
- Replace #8-18 x 1/4" screws to secure upright backplate to luminaire body.

C. Final Step - Replace Diffuser Top-Down View



Wear gloves to keep diffuser surface clean.



- **CAUTION:** Wear gloves to keep diffuser surface clean.
- Install diffuser into luminaire body, ensuring it snaps into place.
- Turn power on to luminaire.

