

HPX Recessed T-Bar Enhancement Installation Instructions

Overview

NOTES

- If luminaire contains a sensor or socket refer to the appropriate Addendum.
- All power connections should be installed according to local/national codes by a Certified Electrician.
- This installation requires **proper support** as each luminaire is being installed.
- **DO NOT attempt to join luminaires together on the floor.** Damage may result when lifted.



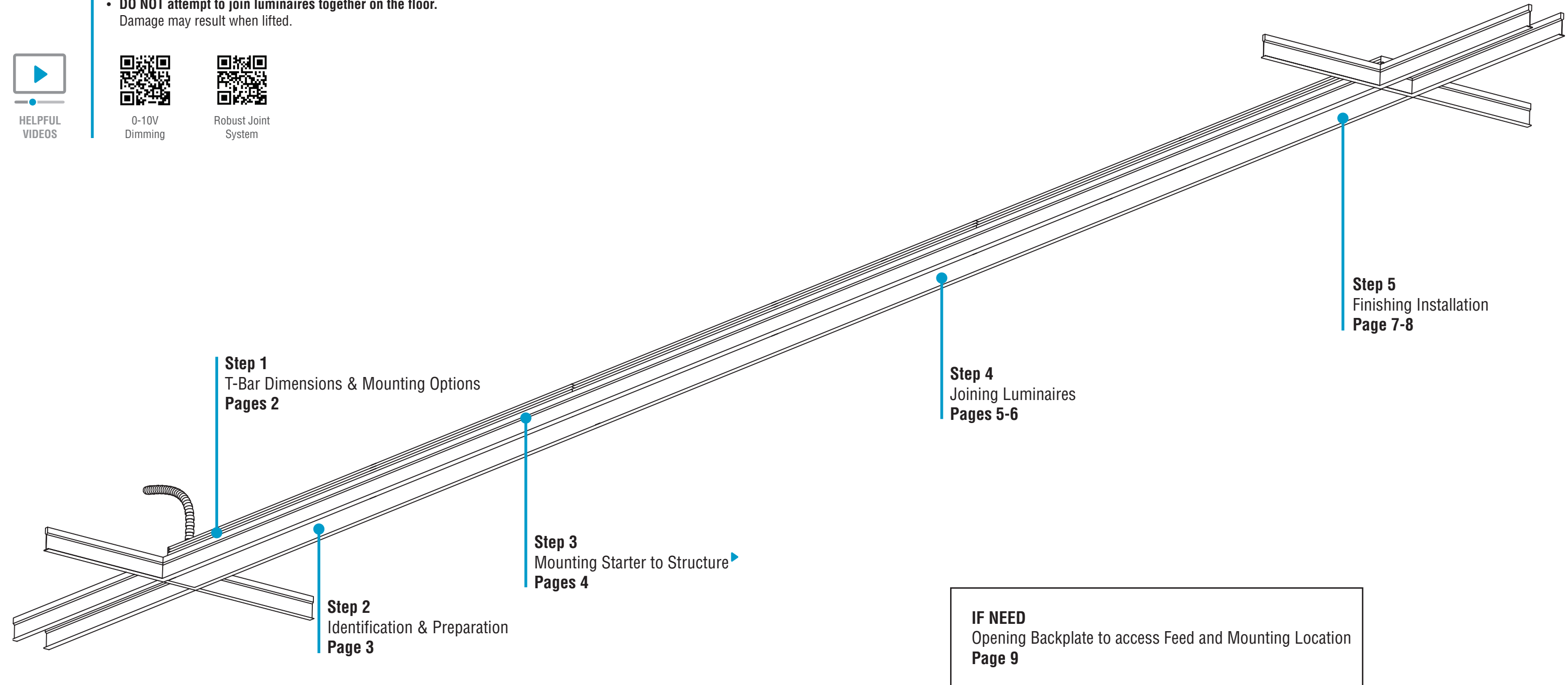
HELPFUL
VIDEOS



0-10V
Dimming



Robust Joint
System



Step 1
T-Bar Dimensions & Mounting Options
Pages 2

Step 2
Identification & Preparation
Page 3

Step 3
Mounting Starter to Structure
Pages 4

Step 4
Joining Luminaires
Pages 5-6

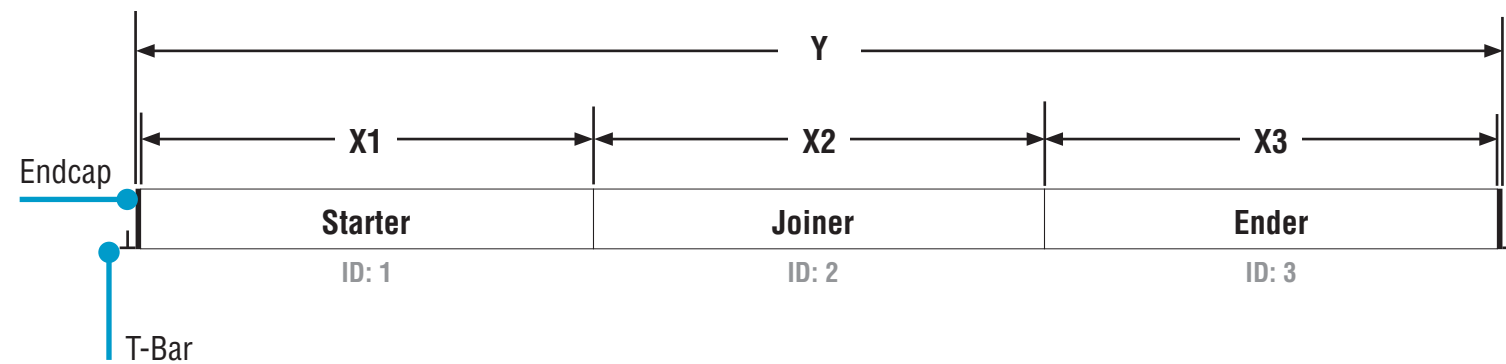
Step 5
Finishing Installation
Page 7-8

IF NEED
Opening Backplate to access Feed and Mounting Location
Page 9

HPX Recessed T-Bar Enhancement Installation Instructions

Step 1 - T-Bar Dimensions & Mounting Options

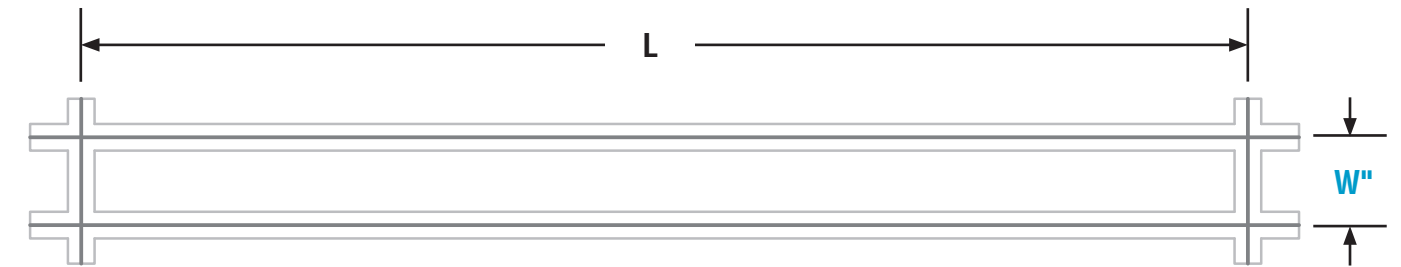
Total Run Length



X = Luminaire section length (**Does not include** endcaps)
Y = Total run length of luminaire (**Includes** 1/8" for **BOTH** endcaps)
Endcap = 1/16"

Refer to Record Drawings and building plans to determine exact mounting, suspension points, and power feed locations.

T-Bar Build Dimensions



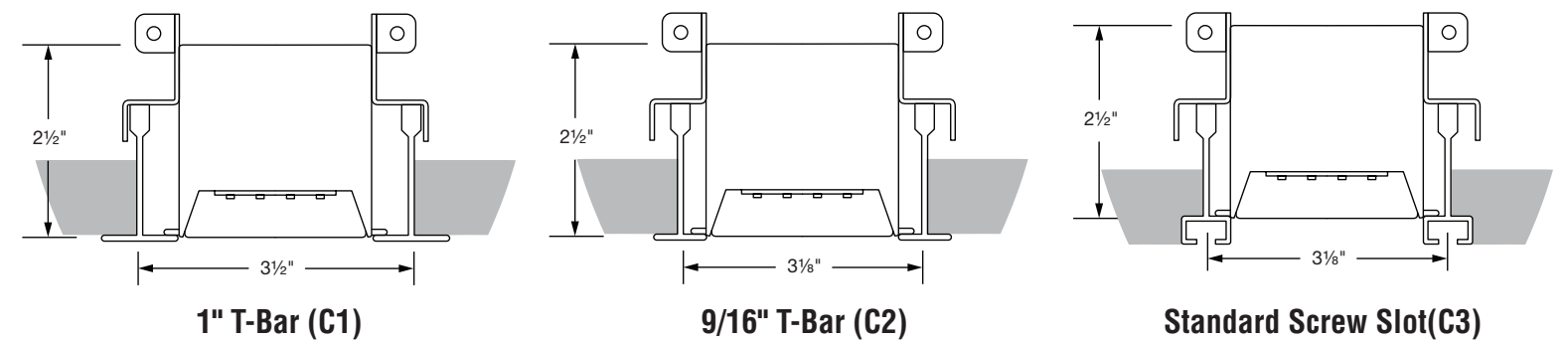
| | |
|-----|-----------------------------------|
| | L = Total Run T-Bar Length |
| HPX | Y + 1" |

W = T-Bar Width

Center to center of T-Bar. Tolerance: +/- 1/16"

Construct T-Bar ceiling for luminaire placement based on length and width dimensions per diagram.

Mounting Options & T-Bar Width



- Note: Only for standard 2x4 or 2x2 T-Bar ceiling, the starter luminaire is purposefully short by 1-1/8" to ensure fit in T-Bar types, shown above.
- The luminaire endcaps and end flanges cover any gaps to ensure smooth flush appearance at the ends.

HPX Recessed T-Bar Enhancement Installation Instructions

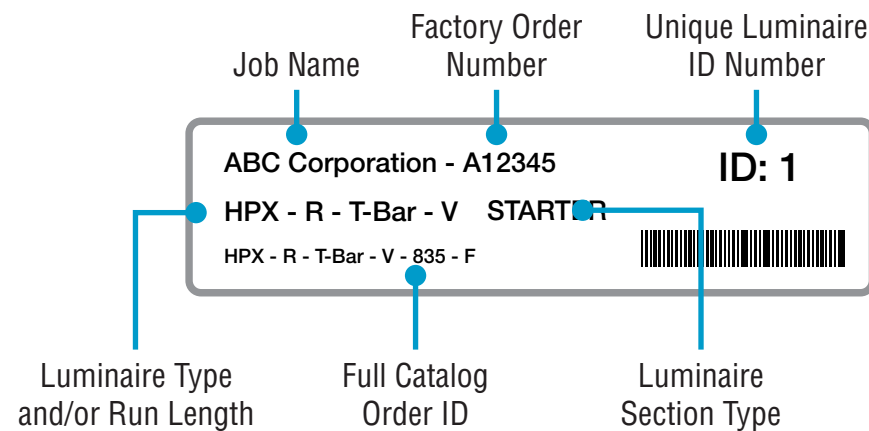
Step 2 - Identification & Preparation

A. Identify Luminaires



CAUTION

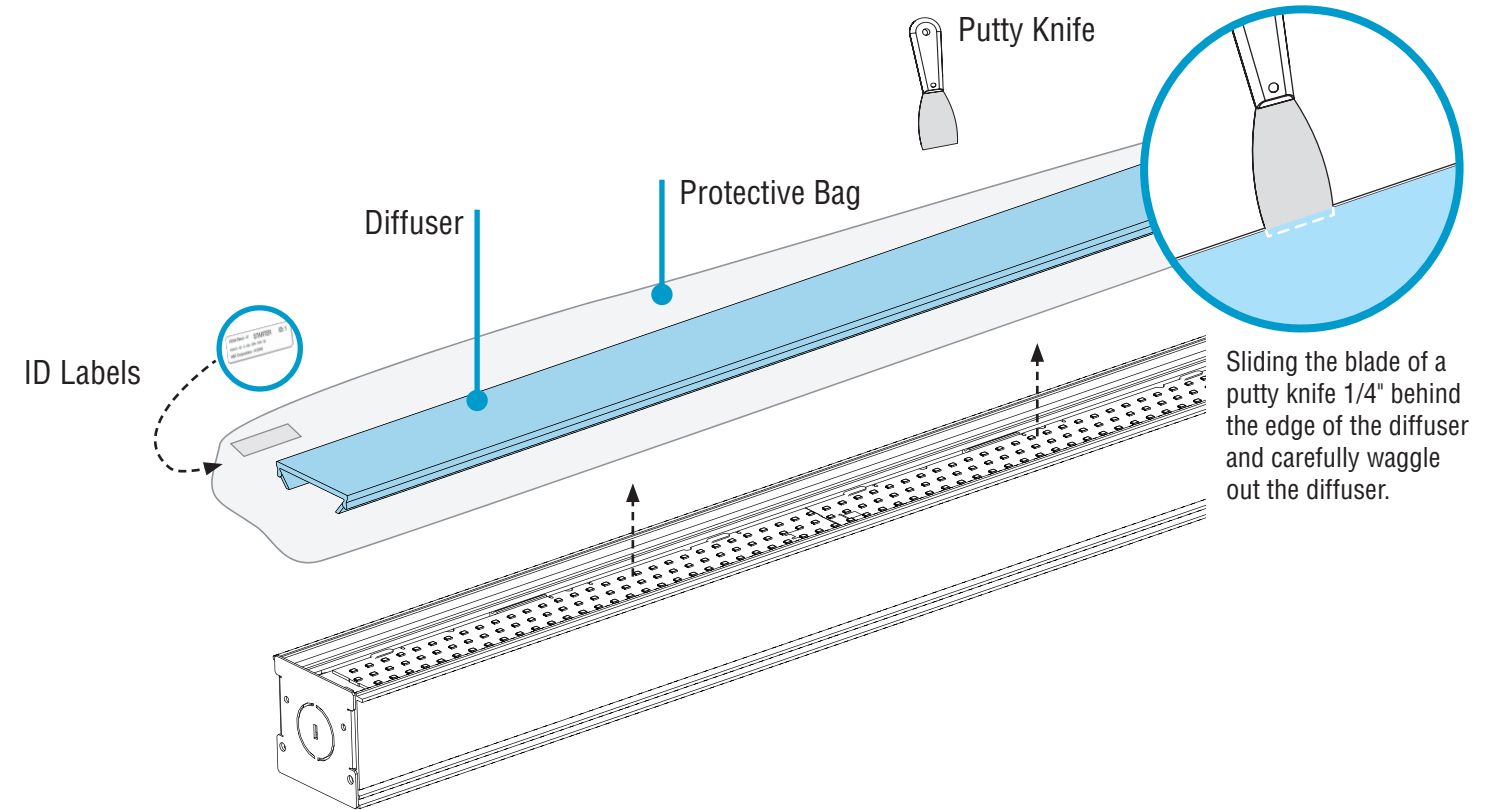
Arrange luminaires in order according to ID# at their install locations.



- Identify all luminaires by their ID label that can be found on the box, on the diffuser, and inside the luminaire.
- **NOTE:** Exact location of labels in these areas may vary.
- Remove all luminaires from their box.
- Refer to Record Drawings that can be found in the hardware kit.

B. Remove Diffusers

Remove Diffusers



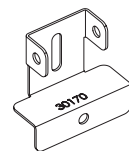
- If access is needed for splicing feed and mounting location, use putty knife carefully remove diffusers, keeping them inside their protective bags.
- Set aside all diffusers to prevent from getting dirty or damaged.
- Ensure diffusers can be clearly identified back to their corresponding luminaire.

Kitted Hardware

- Finelite has provided items listed here, with their Finelite part numbers. These items can be found in separate boxes shipped with the luminaire.
- Account for all parts and set aside until they are needed.
- All other hardware needed for this installation will be by others.



#8-18 x 1/4" Screws
Part# 69026
Mounting Starter to Structure
p. 8, Step 7



T-Bar Bracket (C1, C2, C3)
Part# 30170
Mounting Starter to Structure
p. 7, Step 6

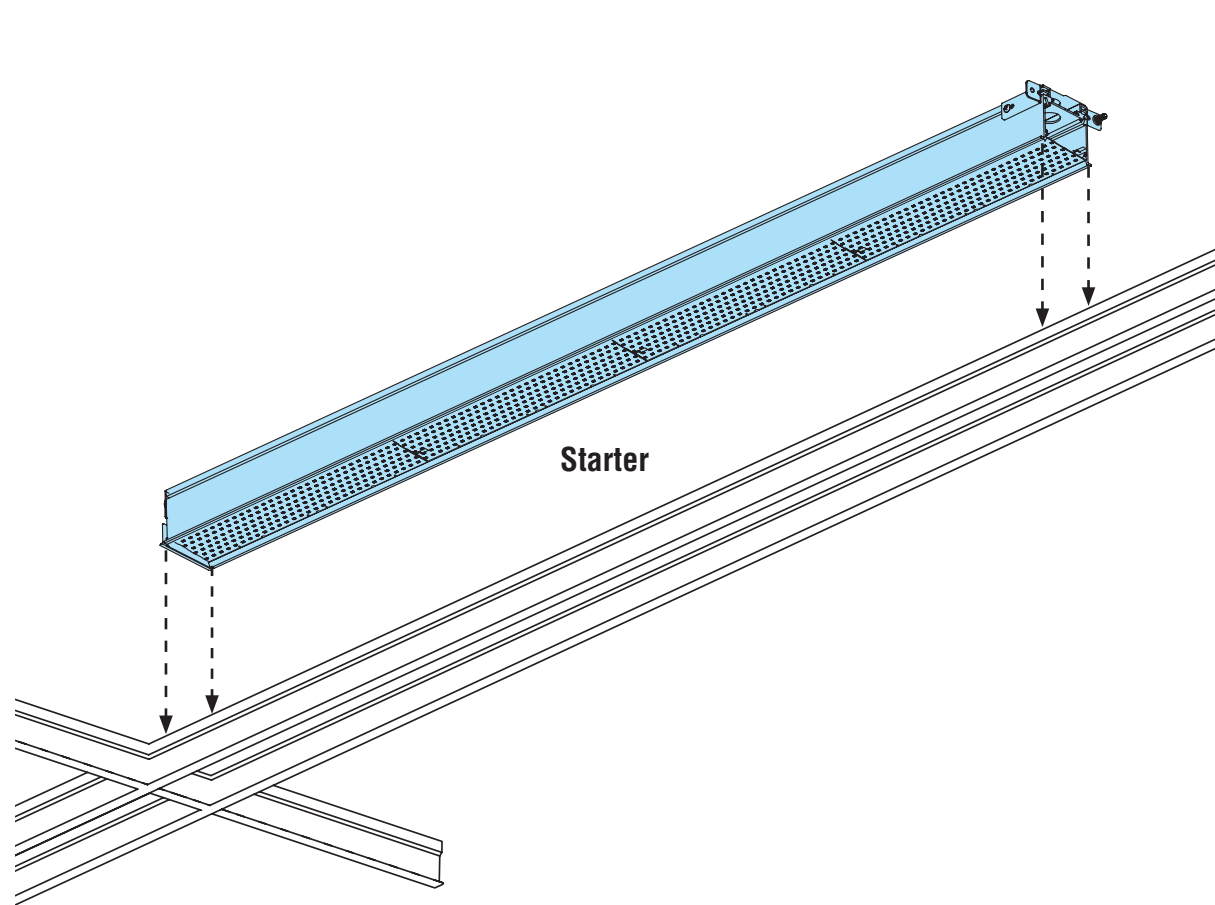


#6 Self-Drilling Screw
Part# 94054
Mounting Starter to Structure
p. 8, Step 7

HPX Recessed T-Bar Enhancement Installation Instructions

Step 3 - Mounting Starter to Structure

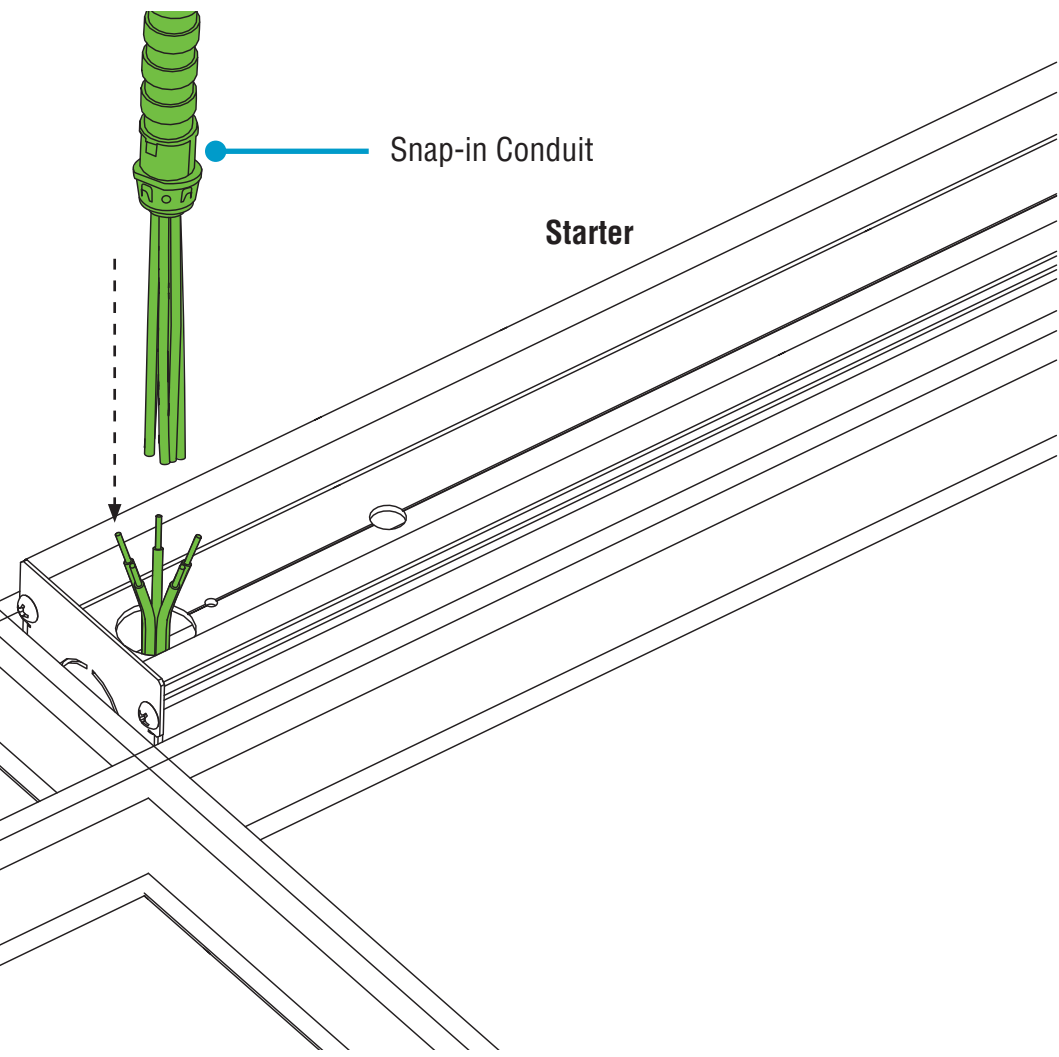
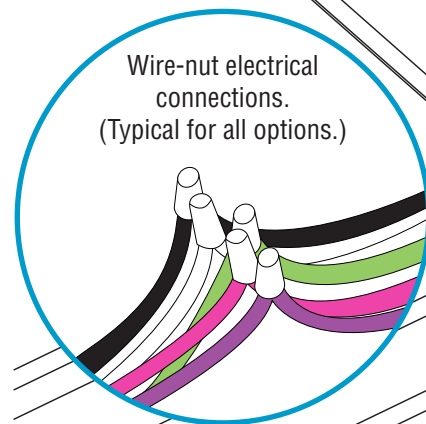
A. Mount Starter to Structure



B. Make Electrical Connections

WIRING LEGEND

| | | |
|--------|---------|--------------|
| Black | Hot | Line Voltage |
| White | Neutral | Line Voltage |
| Green | Ground | |
| Pink | Dimming | 0-10V DC |
| Purple | Dimming | 0-10V DC |



- Maneuver luminaire into ceiling space above T-Bar Ceiling
- Lower luminaire into place onto T-Bar
- Make electrical connections at TOP or with a SPLICE BOX
- If there is no joiner/ender. **PROCEED TO STEP 5, A**

- Wire-nut electrical connections. See wiring legend above.
- Install power conduit by snap the Snap-in Conduit.



Flex Conduit with
Snap-in Conduit
(by others)



0-10V
Dimming

HPX Recessed T-Bar Enhancement Installation Instructions

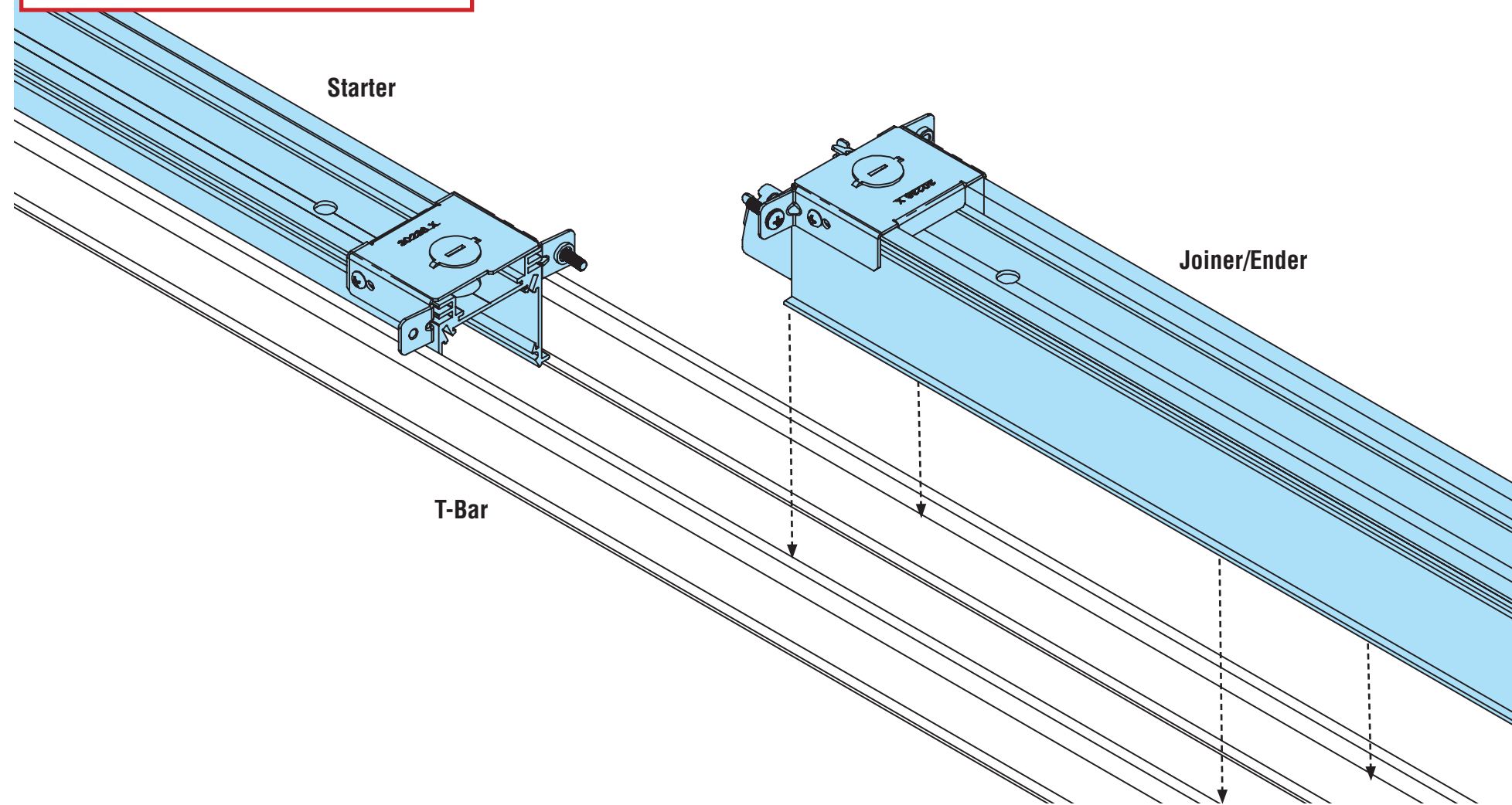
Step 4 - Joining Luminaires

A. Place Starter to Structure Top View



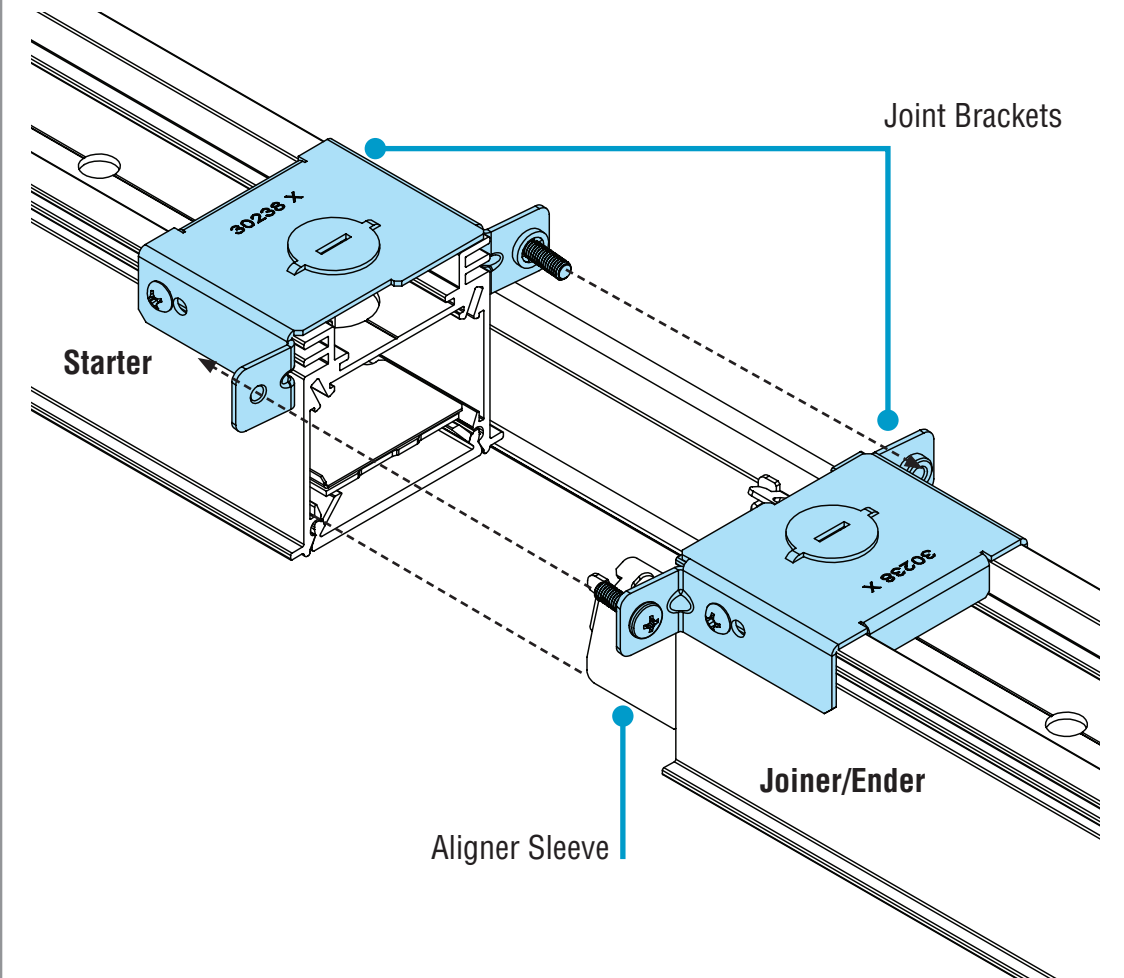
CAUTION

DO NOT attempt to join luminaires together on the floor. Damage may result when lifted. Follow these instructions.



- Maneuver joiner/ender into ceiling and position onto T-bar.

B. Align Starter to Structure Top View



- Align joiner/ender with Aligner Sleeves and Joint Brackets on starter

CONTINUED

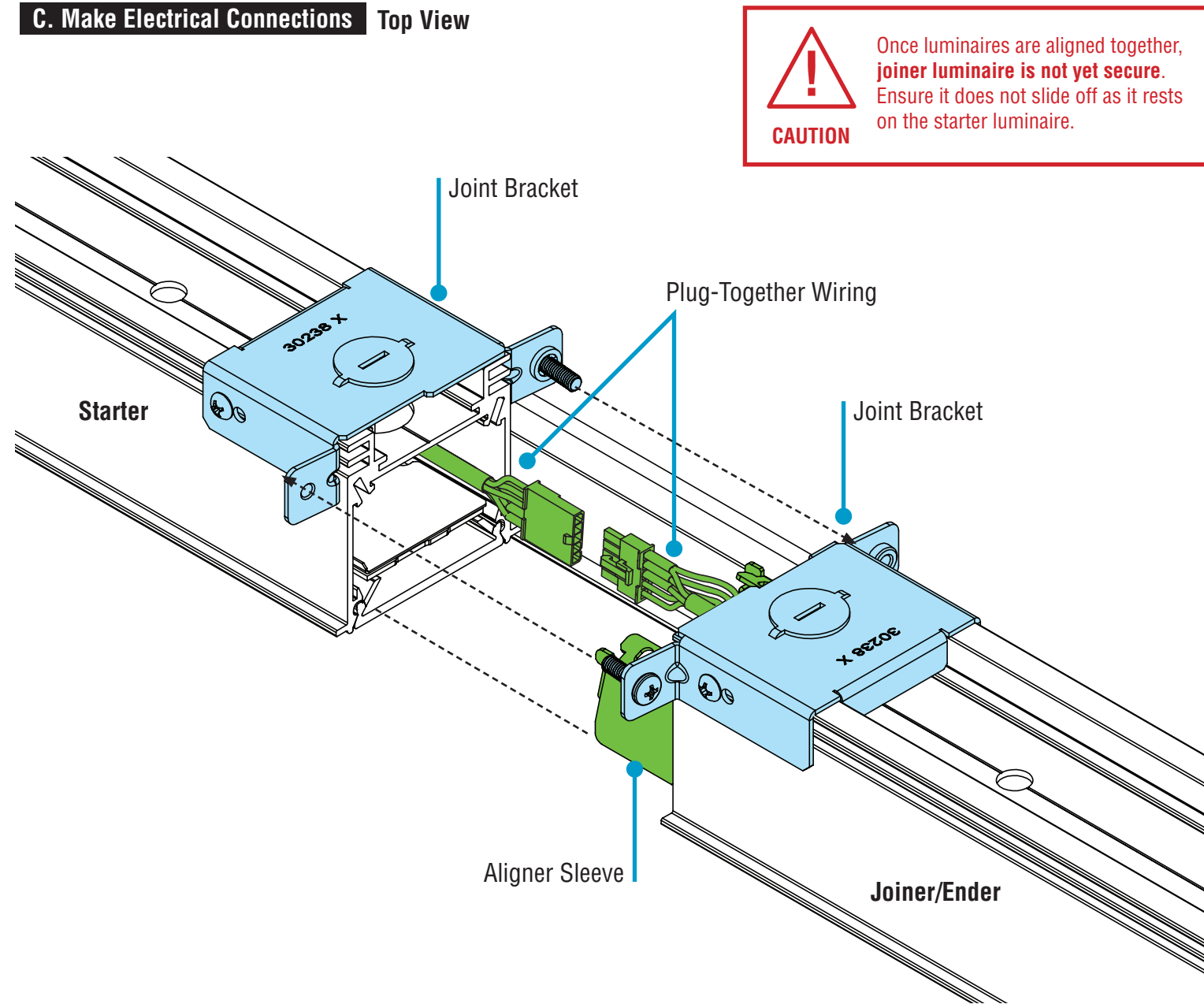


Robust Joint System

HPX Recessed T-Bar Enhancement Installation Instructions

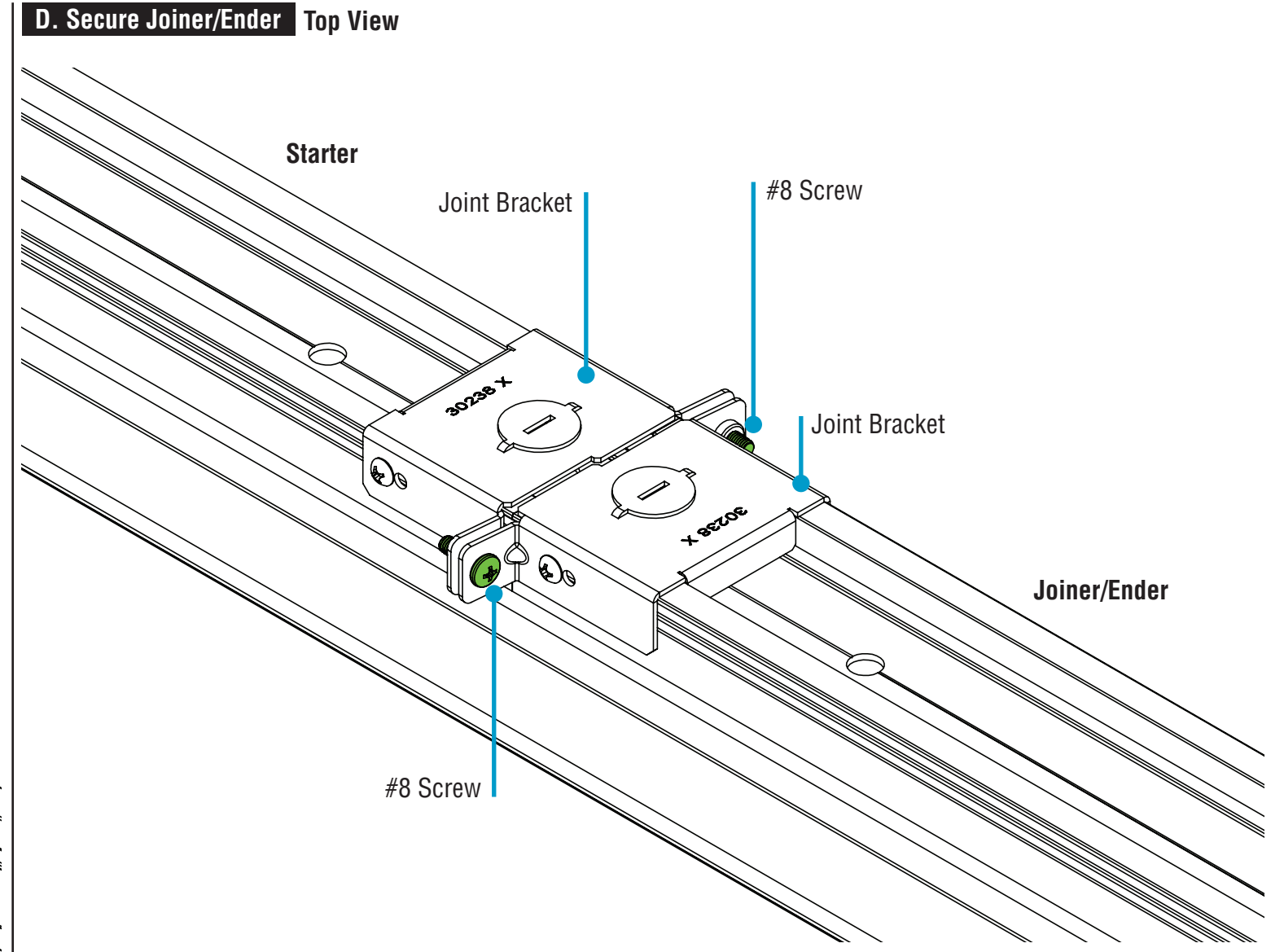
Step 4 - Joining Luminaires

C. Make Electrical Connections Top View



- Connect plug-together wiring.

D. Secure Joiner/Ender Top View



- Carefully slide Starter and Joiner/Ender together. Be careful not to damage any wiring.
- If necessary, **lift** both luminaires, then slide together.
- Partially screw in both screws first and then evenly tighten to insure even pressure on the joint. Do not attempt to fully tighten one screw before starting the second screw.
- **NOTE:** Ensure luminaires meet flush and square before tightening the screws.

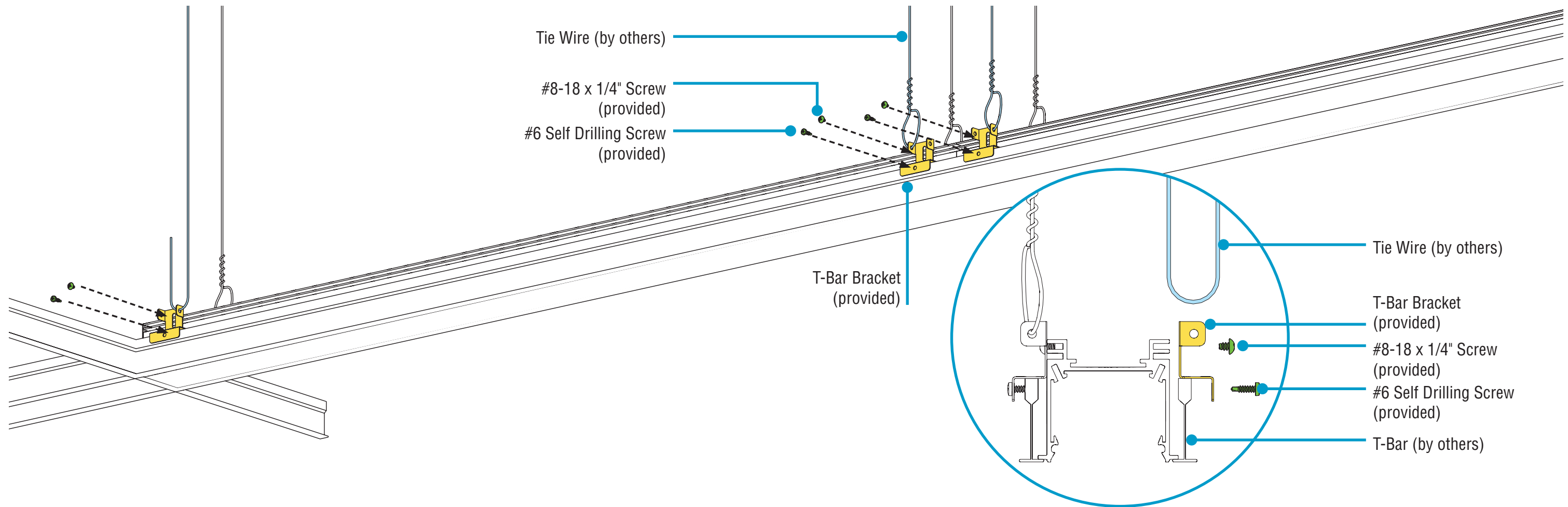


Simple
Plug-Together
Wiring


HPX Recessed T-Bar Enhancement Installation Instructions

Step 5 - Finishing Installation

A. Secure to Structure



- Use #8 self-drilling screws to mount brackets onto luminaire. Drive the screws into the v-groove screw channel.
- Secure luminaire to building structure using tie-wires, as per code.
- Use #6 self-drilling screws to mount T-Bar brackets to T-Bar ceiling.
- **CAUTION:** Do not over-tighten. Use these screws to control centering of the luminaire between the T-Bars on both sides.
T Bar bracket does not rest on Grid

 **#8-18 x 1/4" Screws**
Part# 69026

 **T-Bar Bracket (C1, C2, C3)**
Part# 30170

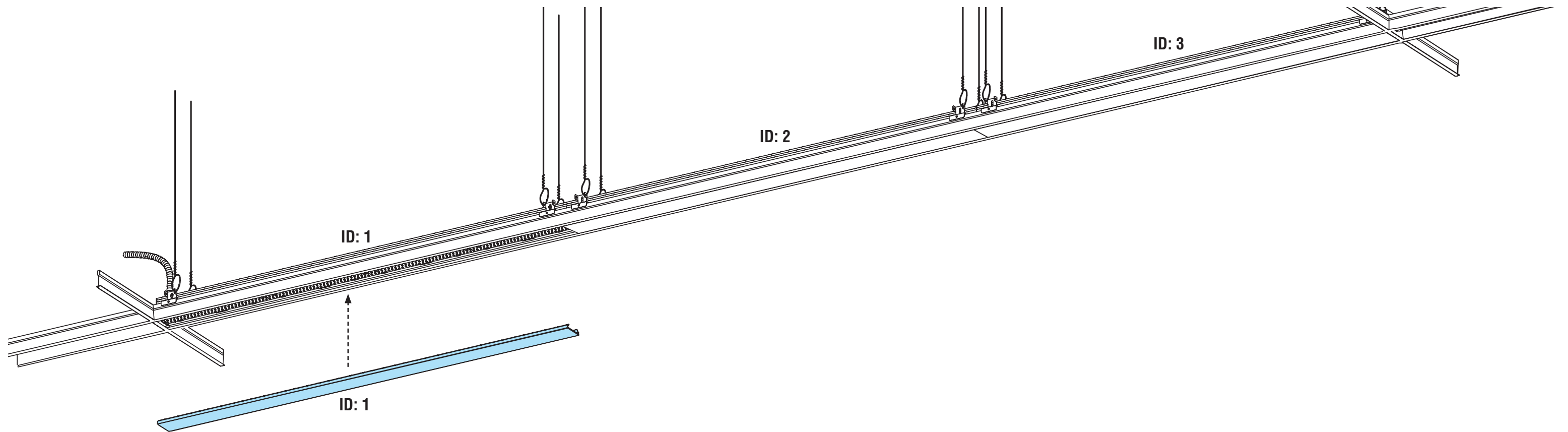
 **#6 Self-Drilling Screw**
Part# 94054

CONTINUED

HPX Recessed T-Bar Enhancement Installation Instructions

Step 5 - Finishing Installation

B. Final Step - Replace Diffusers

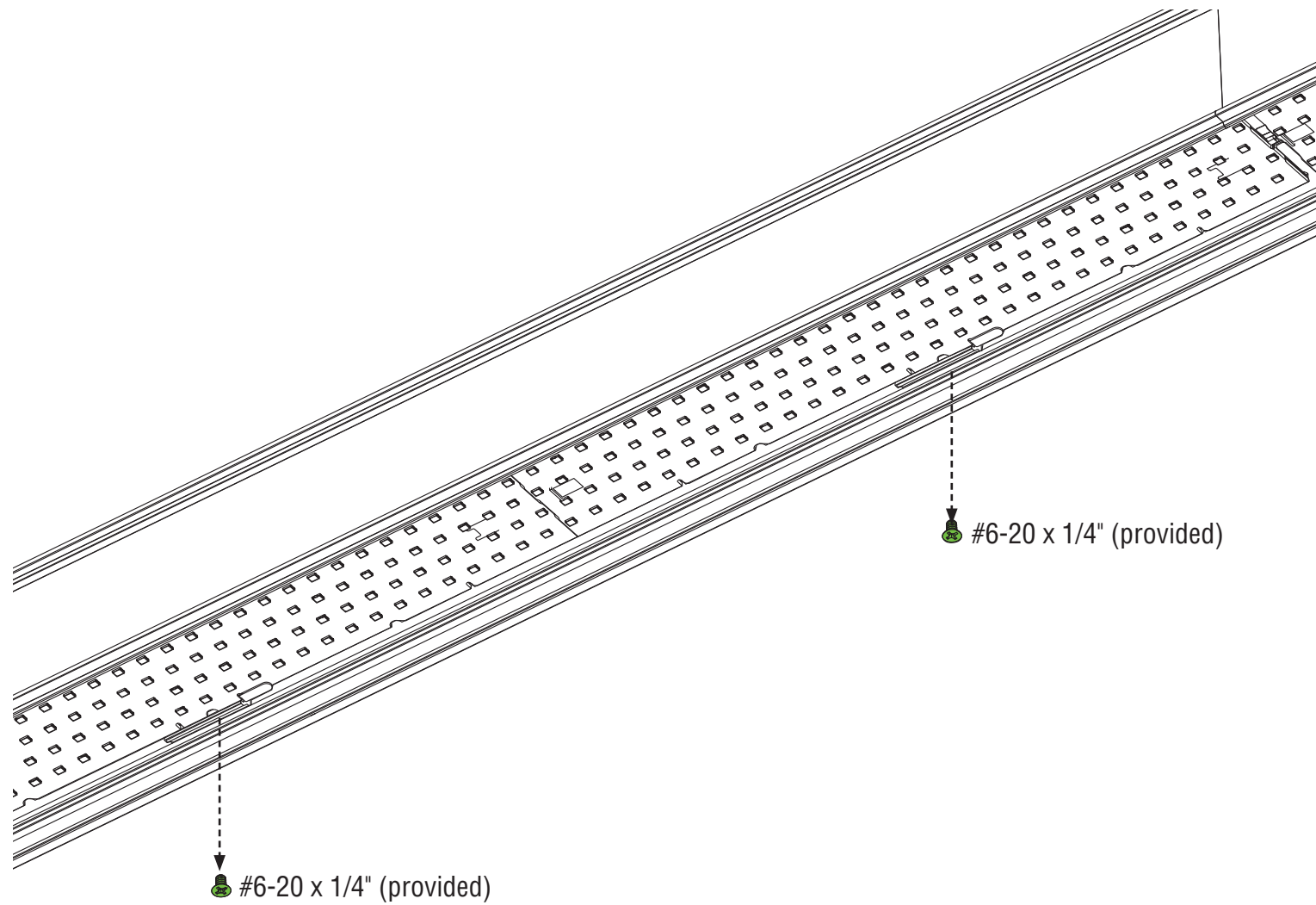


- **NOTE:** If your installation includes a battery backup, please see addendum (98333) that should be included with your kitting package.
- Remove diffusers from protective plastic bag.
- **CAUTION:** Wear gloves to keep diffuser surface clean.
- **CRITICAL:** Be sure to install correct diffuser to its corresponding luminaire ID.
- Install diffusers into luminaire body back to their corresponding luminaire, ensuring they snap into place.
- Turn power on to luminaire.

HPX Recessed T-Bar Enhancement Installation Instructions

If Needed - Opening Backplate to Splicing Feed and Mounting Location

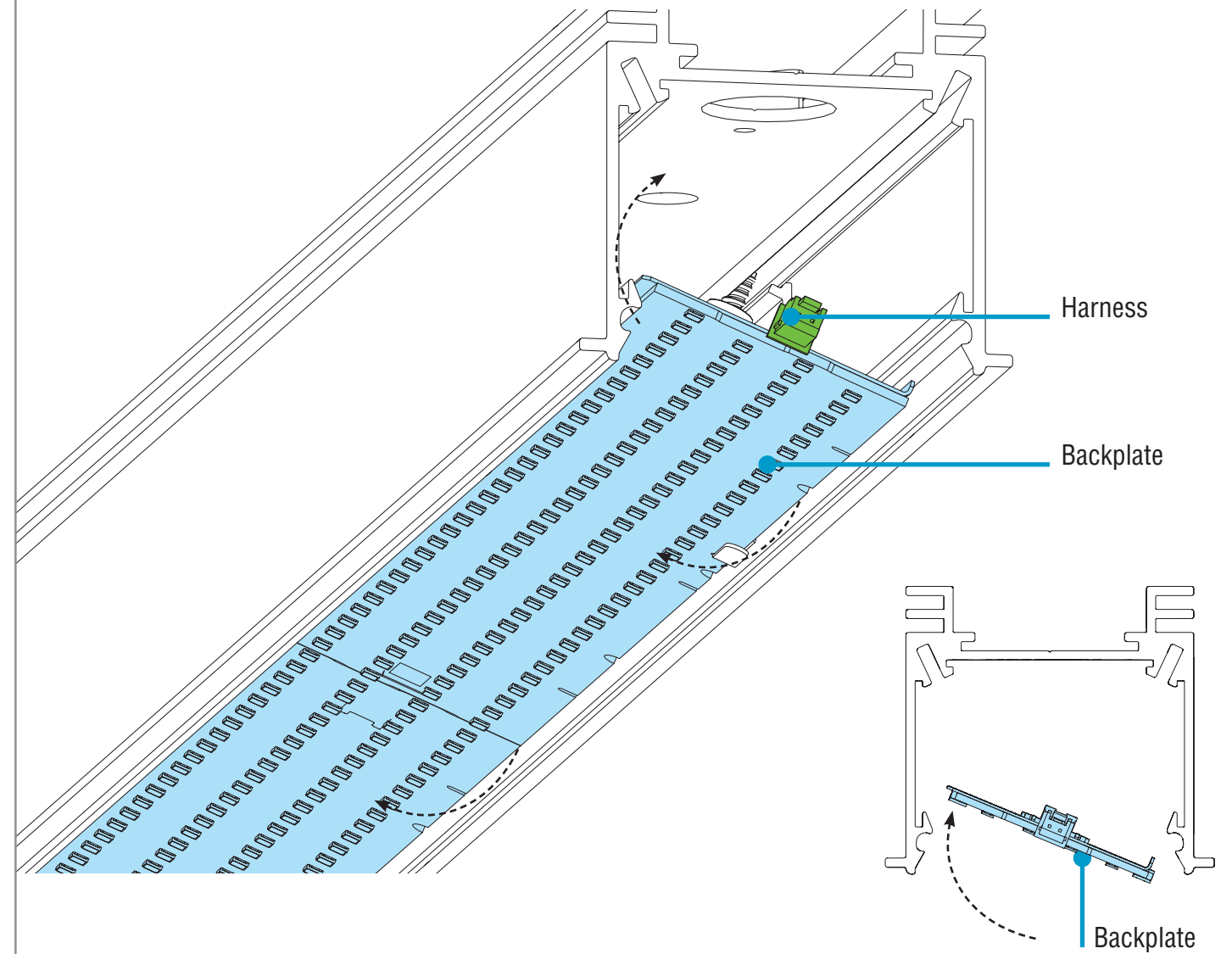
A. Release Backplates Bottom-Up View



- Remove diffuser if need to access splicing feed or mounting location. (see page 3)
- Remove #6-20 x 1/4" screws to release backplate.

 #6-20 Flat Head Screws
(provided)

B. Release Backplates Bottom-Up View



- Disconnect harness from LED engine.
- Rotate backplate to remove from luminaire.
- Set aside backplate to prevent from getting dirty or damaged.
- Ensure backplate can be clearly identified back to its corresponding luminaire.