

# HP-4 Wet Location Wall Mount Direct Installation Instructions

## Overview

### NOTES

- All power connections should be installed according to local/national codes by a Certified Electrician.
- This installation requires **proper support** as each luminaire is being installed.
- **DO NOT attempt to join luminaires together on the floor.** Damage may result when lifted.



HELPFUL  
VIDEOS



Effortless  
Access



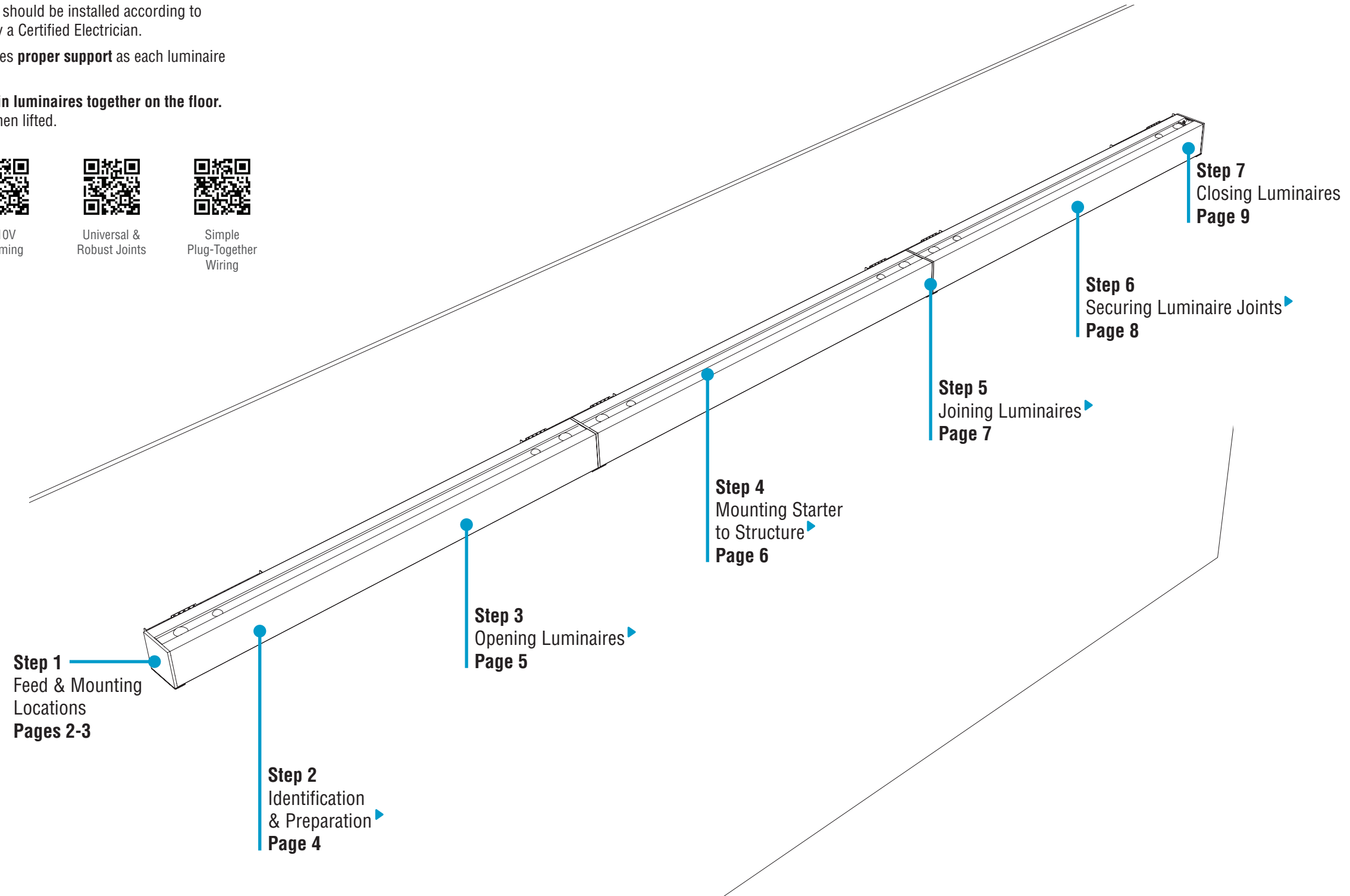
0-10V  
Dimming



Universal &  
Robust Joints



Simple  
Plug-Together  
Wiring

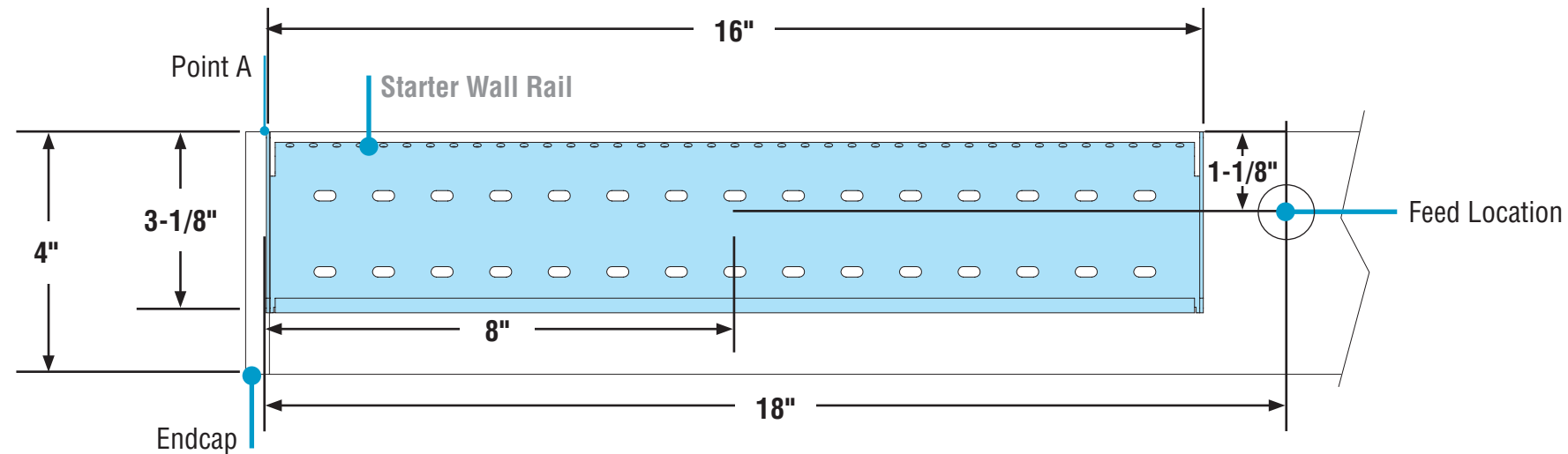


# HP-4 Wet Location Wall Mount Direct Installation Instructions

## Step 1 - Feed & Mounting Locations

### Feed Location

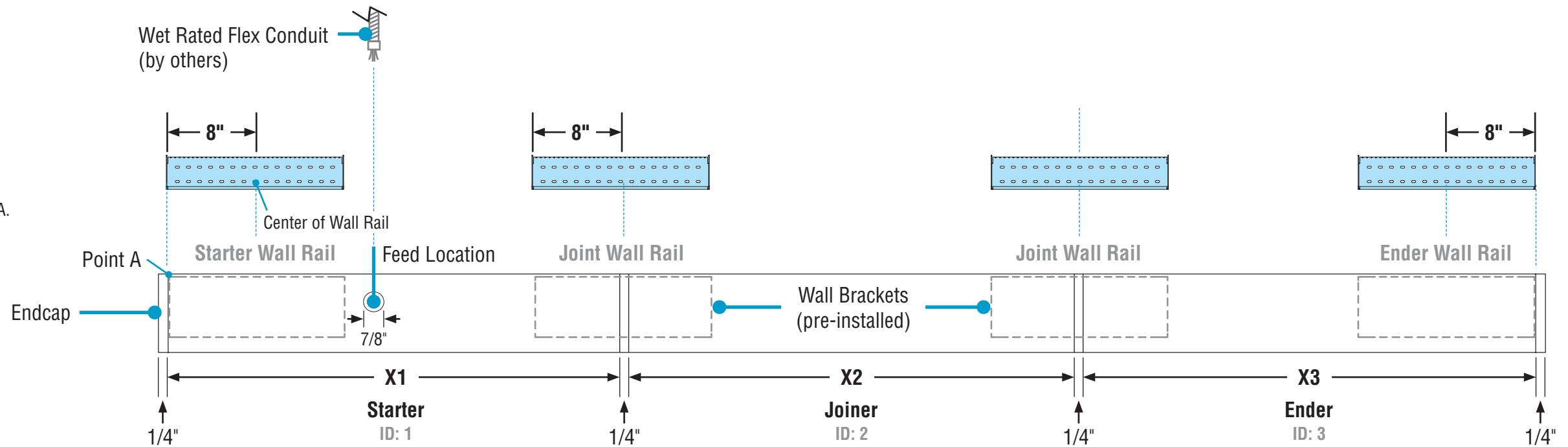
- Position luminaire on wall in desired location.
- Mark the top corner of the luminaire, not including the endcap. This is Point A. Use Point A to find and mark feed location.
- Position and install starter wall rail. (See page 3.)



### Mounting Locations

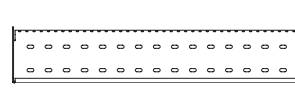
X = Luminaire section length  
(X Measurements **do not include** endcaps)

- Position wall rails as indicated to the right.
- Center of starter wall rail is 6" ( $\pm 3/4$ ") from Point A.
- Ensure wall rail mounts are secured to proper structural support.



**NOTE:**  
All HP-4 Wet Location luminaires **CANNOT** be installed upside down for indirect / uplight illumination. All HP-4 Wet Location luminaires are direct / downlight illumination only.

 Wet Rated Flex Conduit  
(by others)

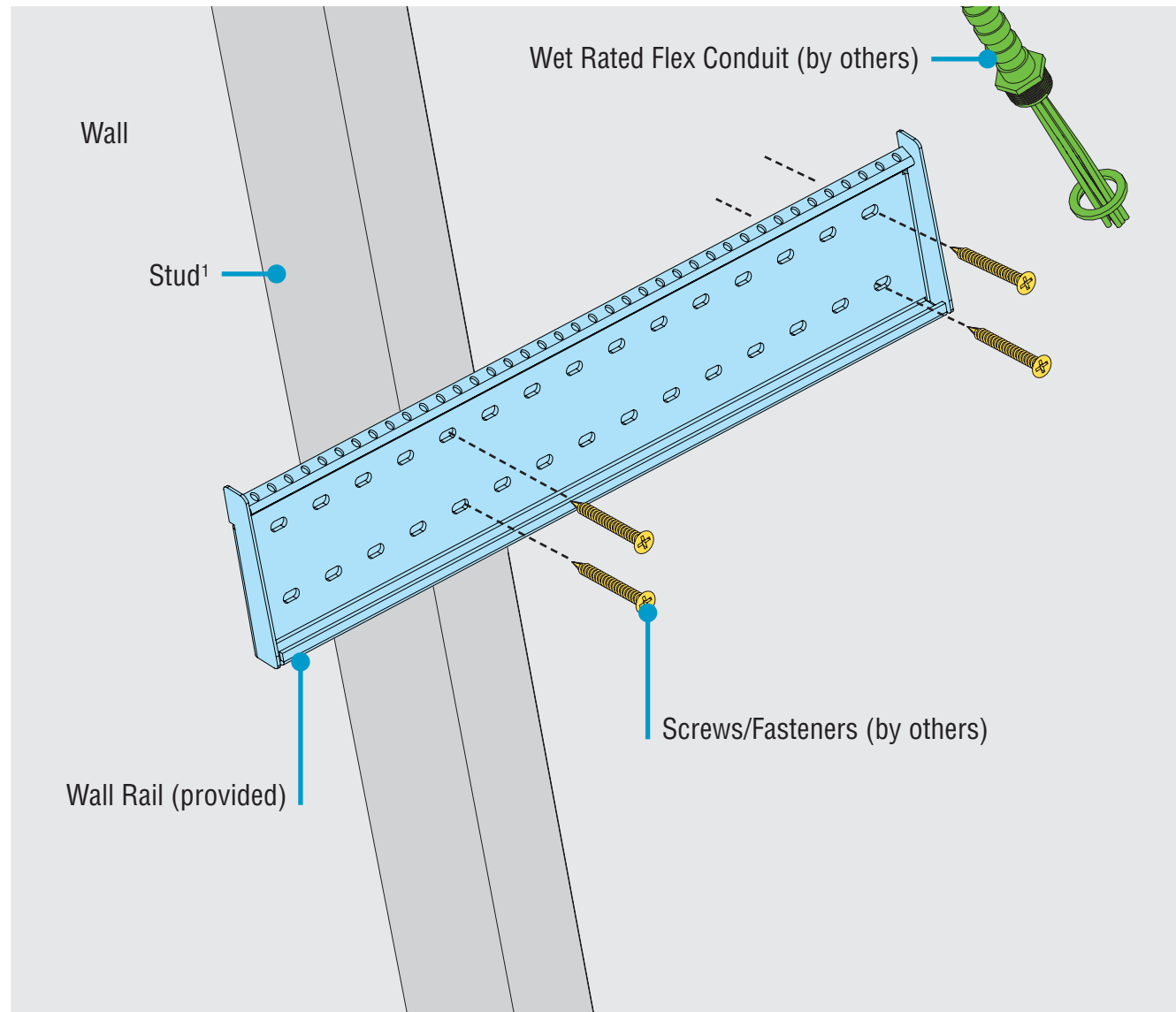
 Wall Rail  
(provided)

CONTINUED

# HP-4 Wet Location Wall Mount Direct Installation Instructions

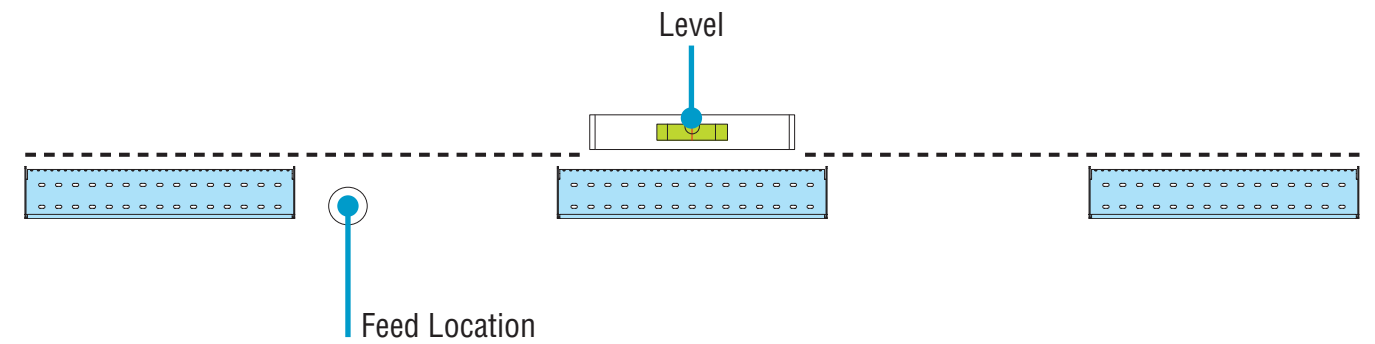
## Step 1 - Feed & Mounting Locations

### A. Mount Wall Rail

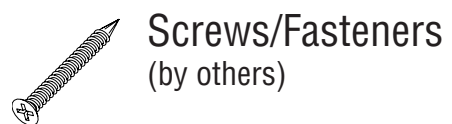
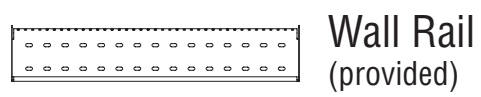


- Level wall rail to ensure proper mounting.
- Install screws through rail and into proper structure support.<sup>1</sup>

### B. Level Wall Rails



- Install all wall rails, ensuring they are level with each other.



<sup>1</sup> Support blocking = Wooden beams/studs, sheet metal framing beams, steel beams, concrete beams, etc. Use hardware appropriate to the blocking material.

# HP-4 Wet Location Wall Mount Direct Installation Instructions

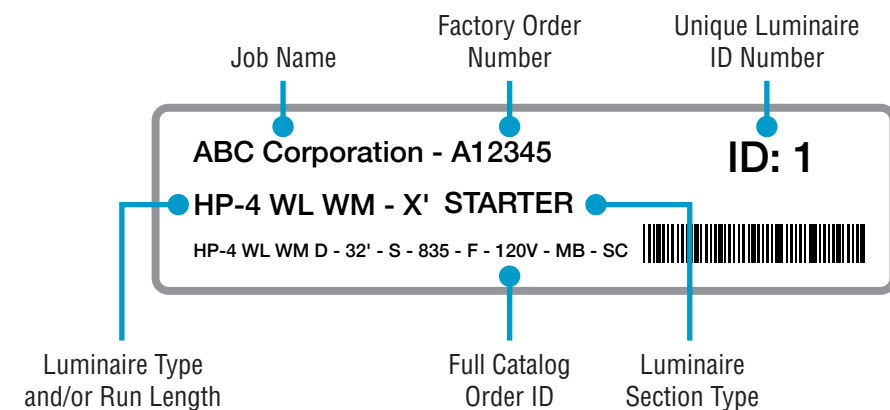
## Step 2 - Identification & Preparation

### A. Identify Luminaires



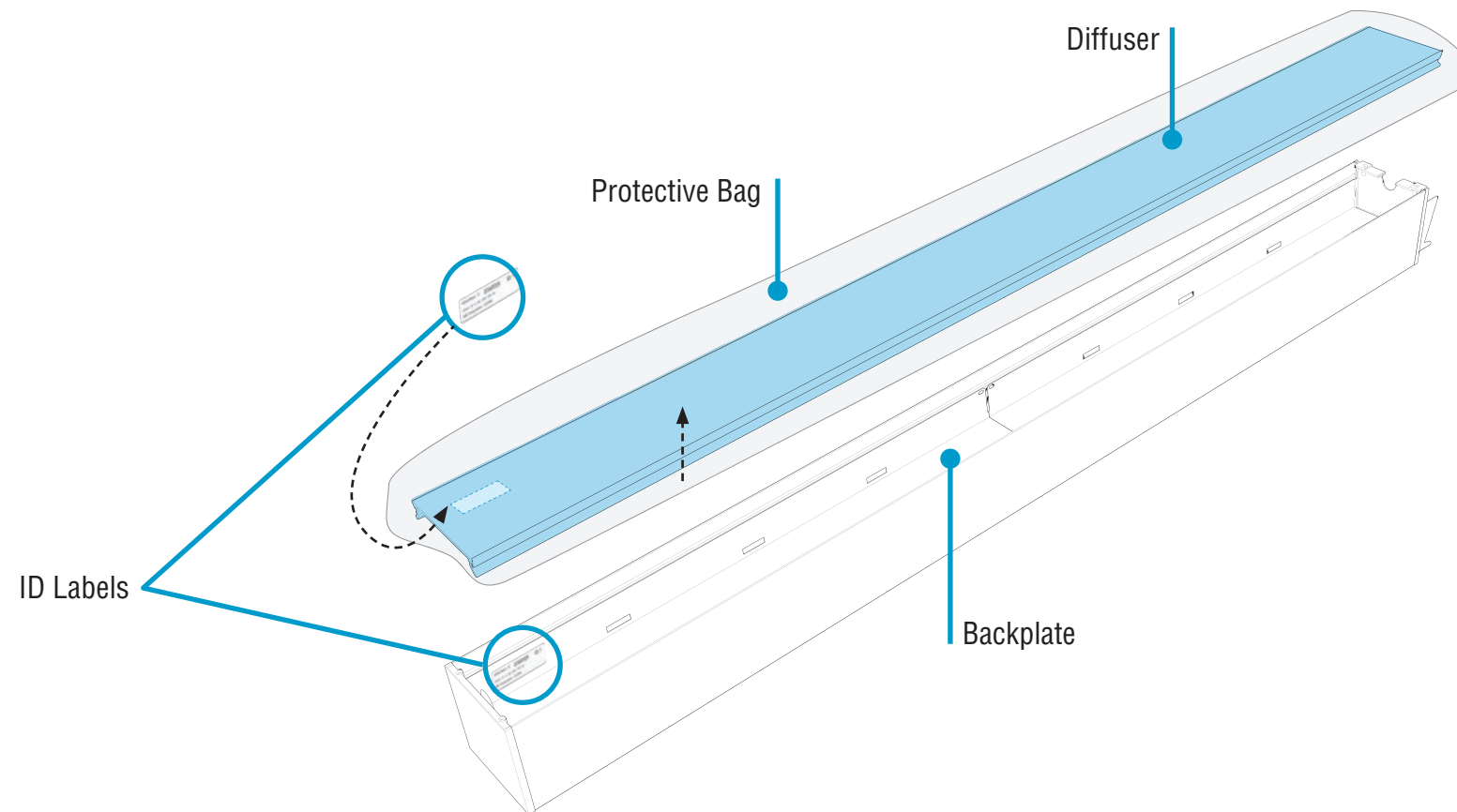
Arrange luminaires in order according to ID# at their install locations.

**CAUTION**



- Identify all luminaires by their ID label that can be found on the box, the diffuser, and inside the luminaire.
- **NOTE:** Exact location of labels in these areas may vary.
- Remove all luminaires from their box.
- Refer to record drawings that can be found in the hardware kit.

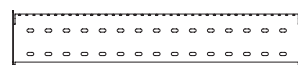
### B. Remove Diffusers Top-Down View



- Carefully remove all diffusers, keeping them inside their protective bags.
- Set aside all diffusers to prevent them from getting dirty or damaged.
- Ensure diffusers can be clearly identified back to their corresponding luminaire.

### Kitted Hardware

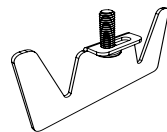
- Finelite has provided items listed here, with their Finelite part numbers. These items can be found in separate boxes shipped with the luminaire.
- Account for all parts and set aside until they are needed.
- All other hardware needed for this installation will be by others.



**Wall Rail**  
Part# 43793  
Feed & Mounting Locations  
p. 2-3, Step 1



**Nylon Nut**  
Part# 43695  
Diameter of thread = 1/2 NPT  
Mounting Starter to Structure  
p. 6, Step 4



**Yoke Bracket**  
Part# 43659

**Washer**  
Part# 94111

**#10-32 x 5/8" Screw**  
Part# 94144  
Securing Luminaire Joints  
p. 8, Step 6



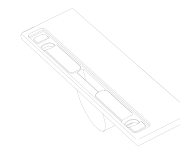
**Sealing O-Ring**  
Part# 43696  
Diameter of thread = 0.7875"  
Mounting Starter to Structure  
p. 6, Step 4



**Diffuser Screw**  
#6-32 x 3/8" Screw - Part# 76404  
Identification & Preparation  
p. 4, Step 2  
Closing Luminaires  
p. 9, Step 7



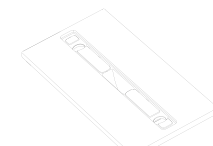
**#8-18 x 1/4" Mounting Screw**  
Part# 94059  
Mounting Starter to Structure  
p. 6, Step 4  
Closing Luminaires  
p. 9, Step 7



**Endcap Diffuser Cover**  
Part# 43738  
Identification & Preparation  
p. 4, Step 2  
Closing Luminaires  
p. 9, Step 7



**Screw Cover**  
Part# 43637  
Identification & Preparation  
p. 4, Step 2  
Closing Luminaires  
p. 9, Step 7



**Joint Diffuser Cover**  
Part# 43740  
Identification & Preparation  
p. 4, Step 2  
Closing Luminaires  
p. 9, Step 7



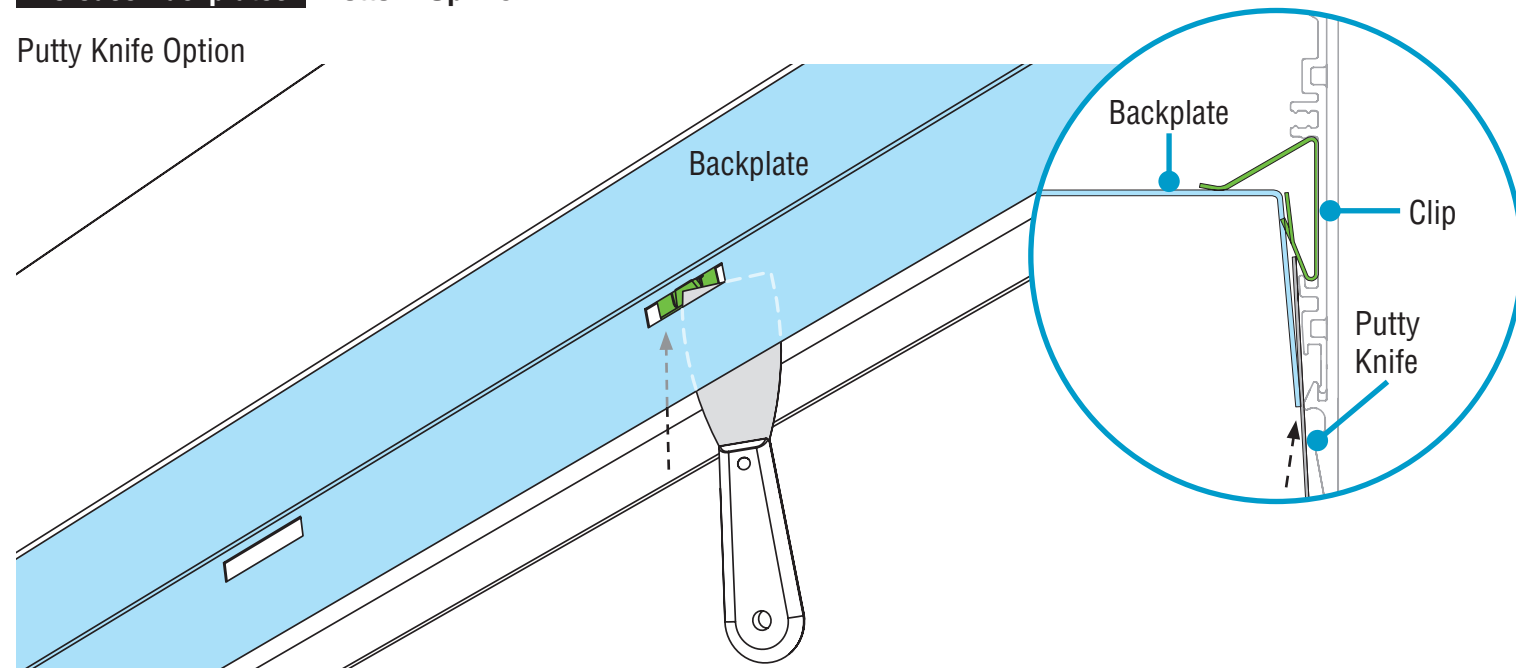
Effortless Access

# HP-4 Wet Location Wall Mount Direct Installation Instructions

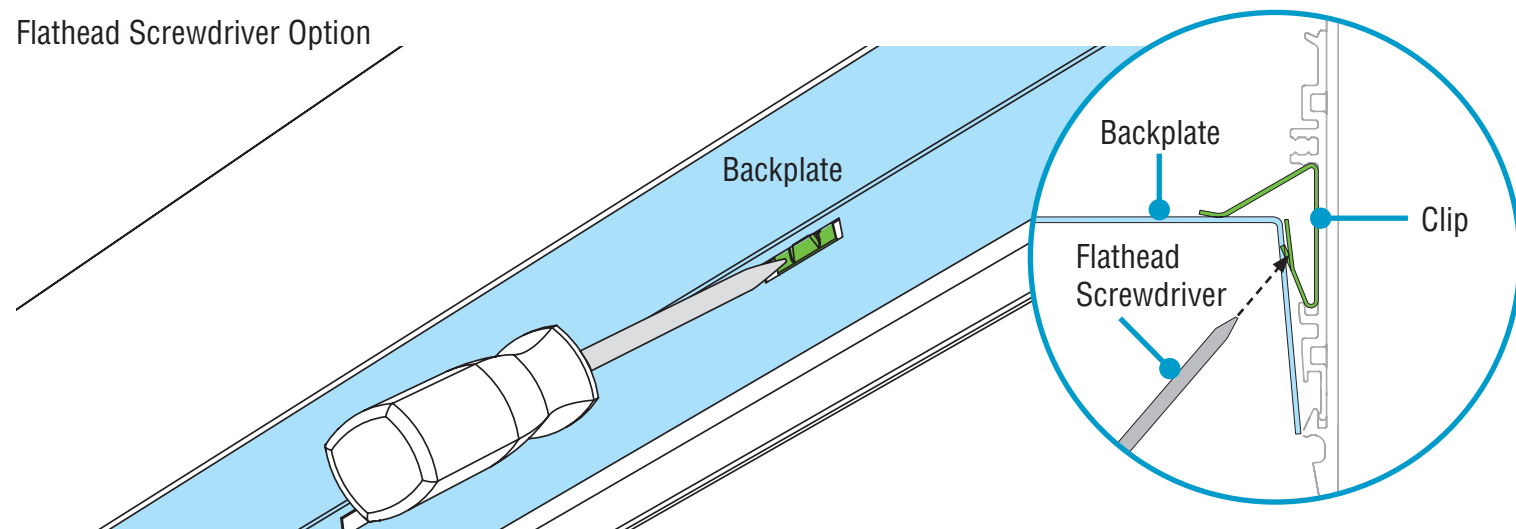
## Step 3 - Opening Luminaires

### Release Backplates Bottom-Up View

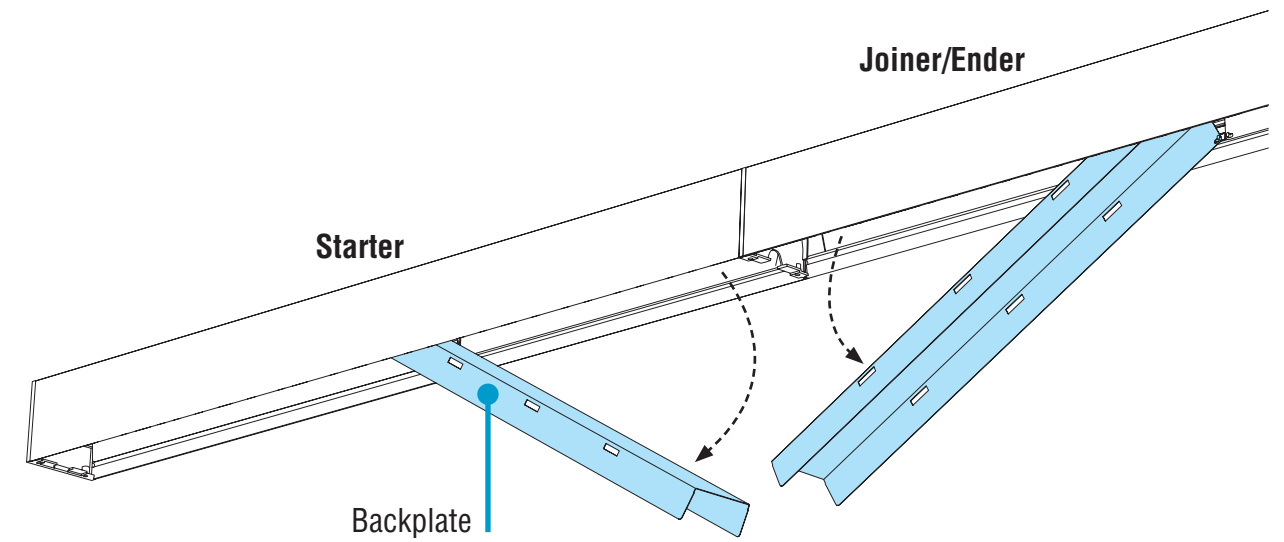
Putty Knife Option



Flathead Screwdriver Option



- **NOTE:** For independent luminaires, backplates do not need to be released.
- Release the backplates from clips by sliding the blade of a putty knife behind backplate edges.
- To use a flathead screwdriver, press end of screwdriver (from inside the luminaire) against the clip, until the backplate is released.



- Carefully rotate backplates out **at the joints only** and let them hang from luminaire body.



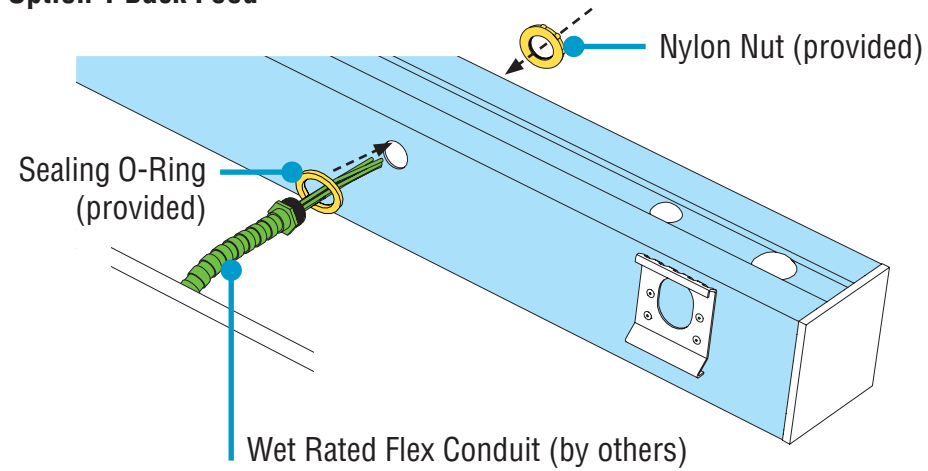
Effortless  
Access

# HP-4 Wet Location Wall Mount Direct Installation Instructions

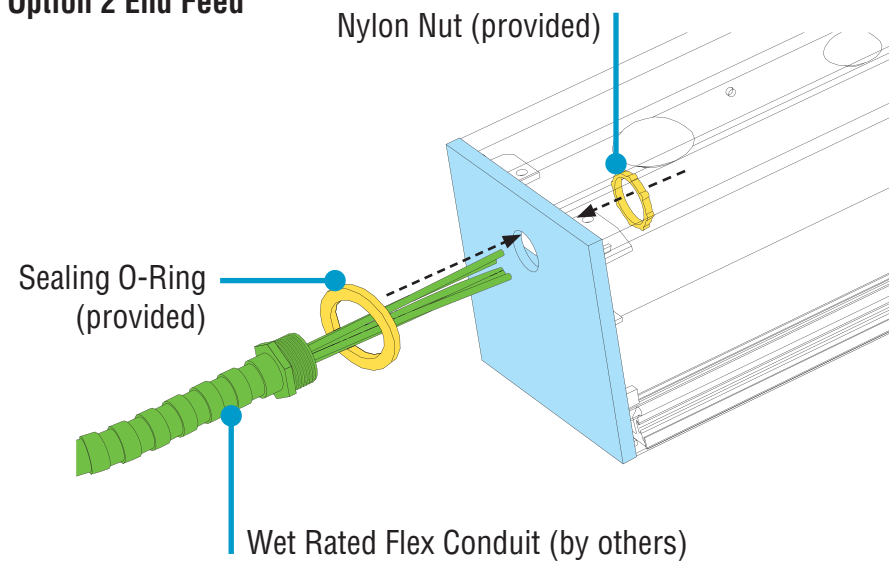
## Step 4 - Mounting Starter to Structure

### A. Install Power Feed Top-Down View

#### Option 1 Back Feed

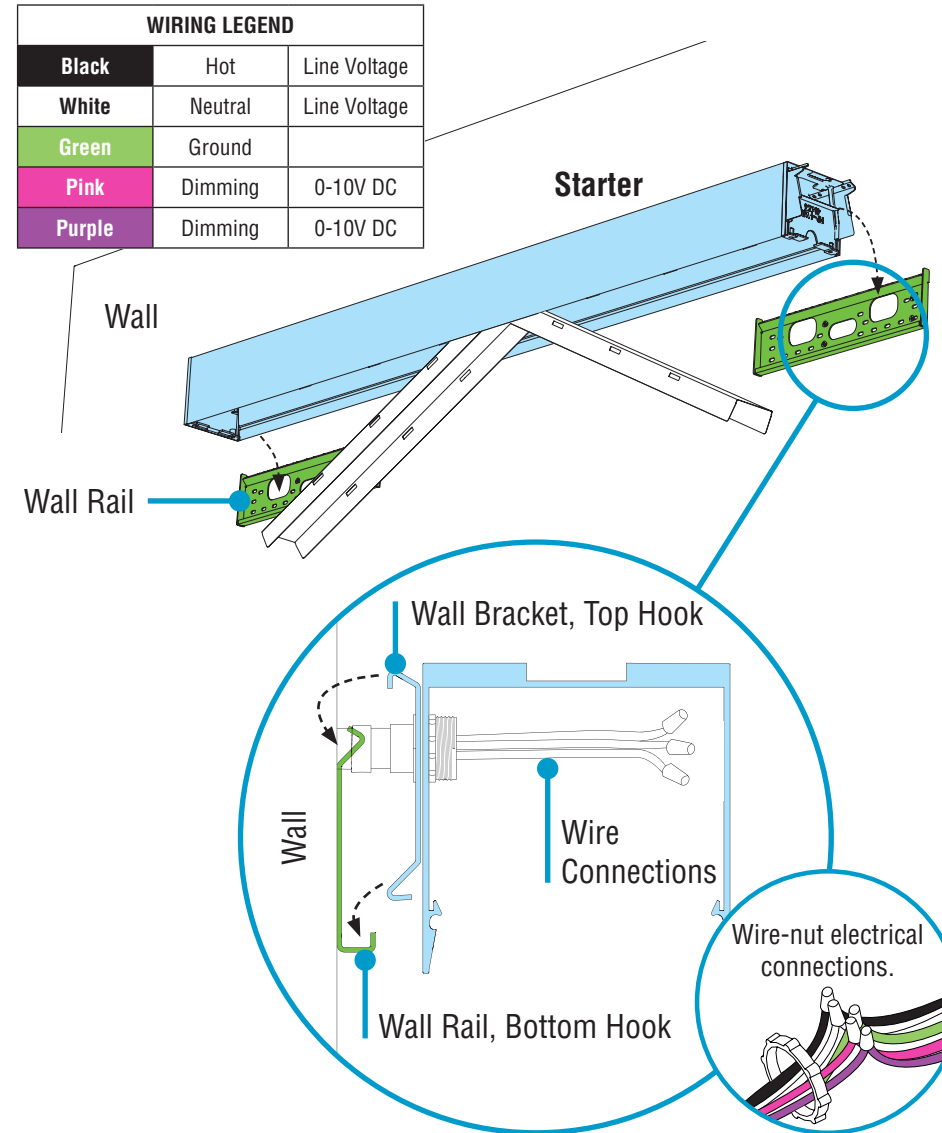


#### Option 2 End Feed



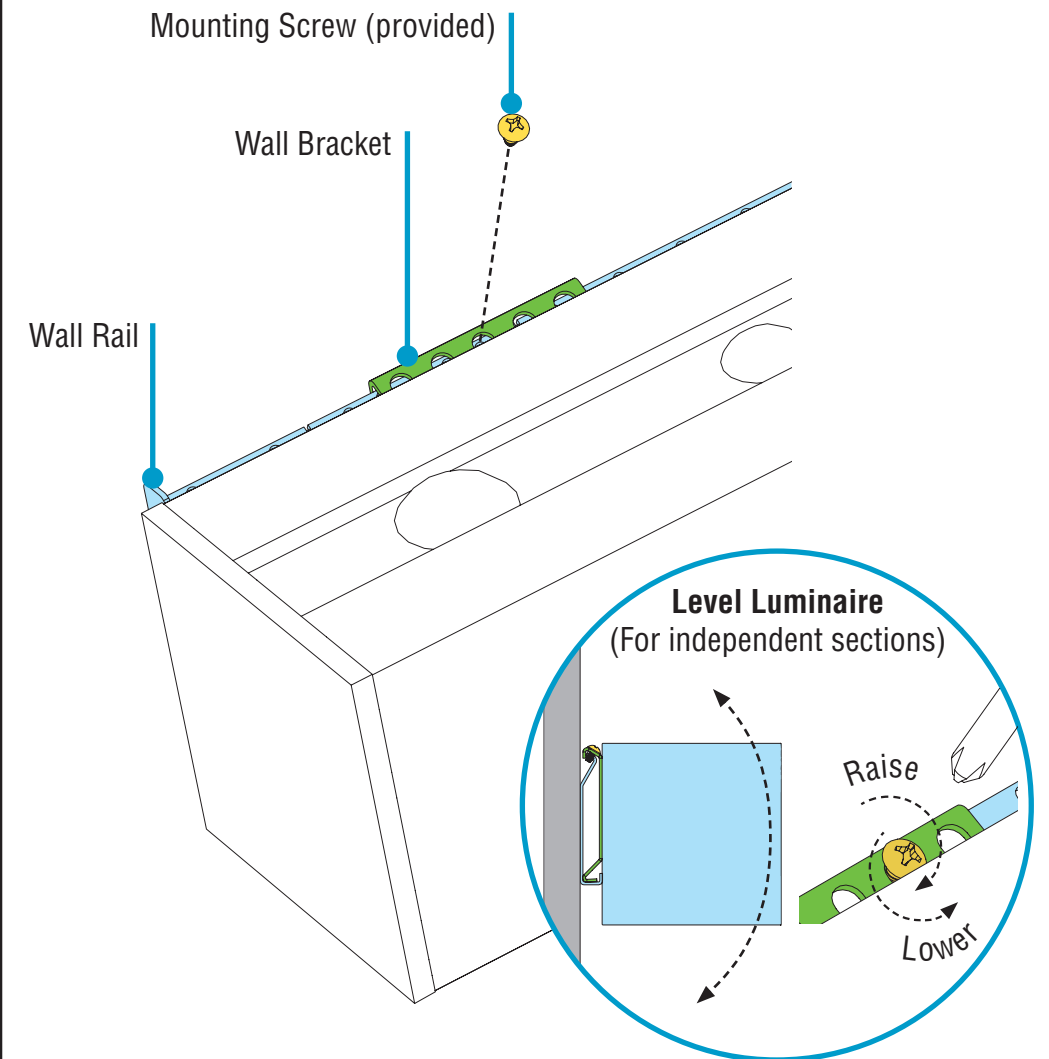
- Install wet rated conduit onto the luminaire.

### B. Mount Starter to Structure Bottom-Up View

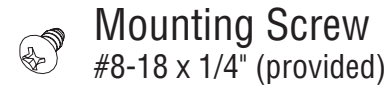
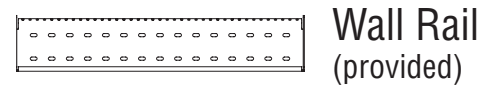


- While properly supporting luminaire, make electrical connections and push complete connections into luminaire.
- Position starter luminaire in place so that the top and bottom hooks of the wall bracket engage with the top and bottom hooks of the wall rail.

### C. Secure Starter to Wall Rail Top-Down View



- If there is no joiner/ender, then secure starter luminaire to wall rail with a mounting screw and perform leveling. Tightening the screw raises and loosening the screw lowers the front edge of the luminaire. **PROCEED TO STEP 7B.**
- If continuing with a joiner luminaire, do not perform leveling yet. **PROCEED TO STEP 5.**



0-10V Dimming

# HP-4 Wet Location Wall Mount Direct Installation Instructions

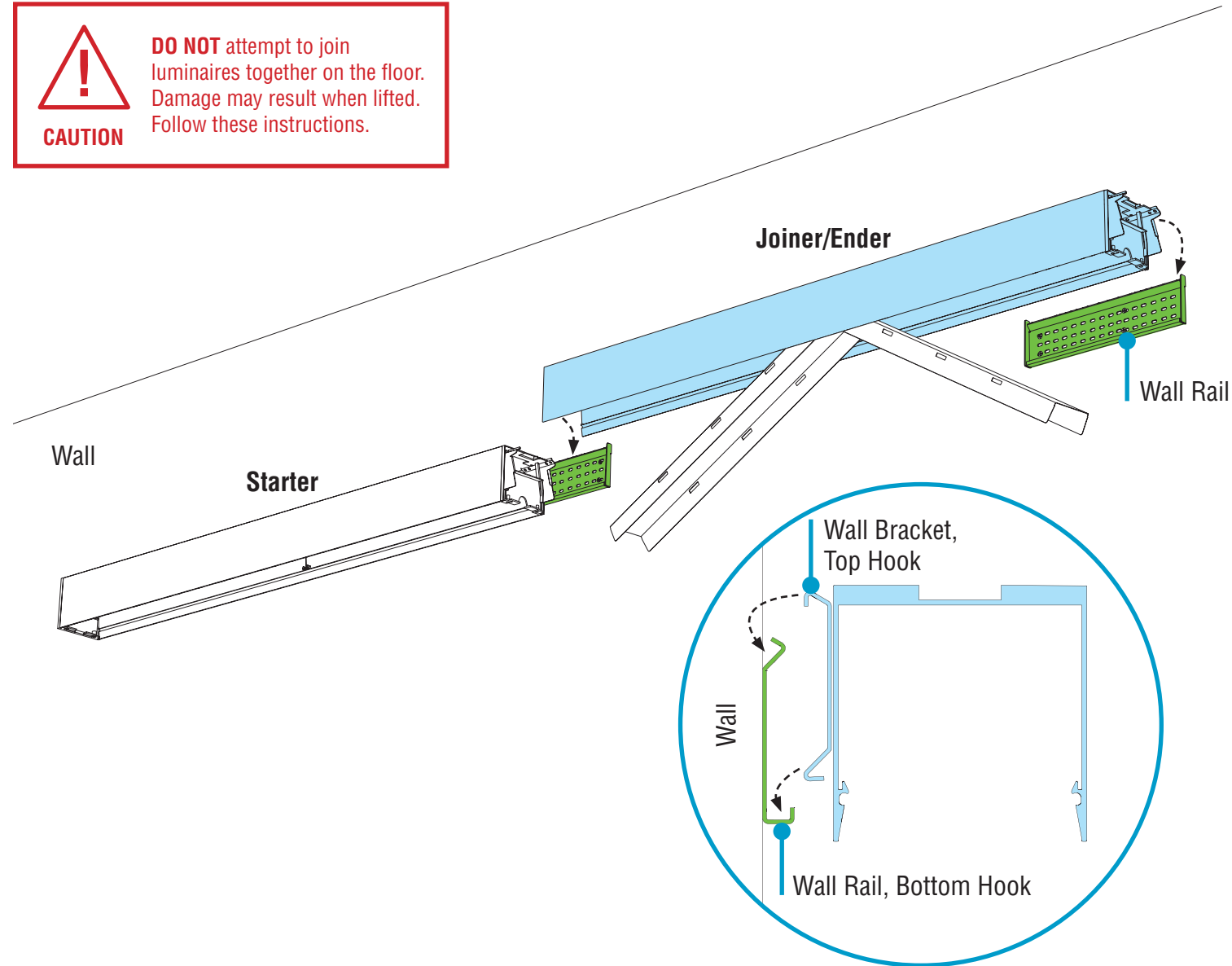
## Step 5 - Joining Luminaires

### A. Mount Joiner/Ender to Structure Bottom-Up View



**CAUTION**

**DO NOT** attempt to join luminaires together on the floor. Damage may result when lifted. Follow these instructions.



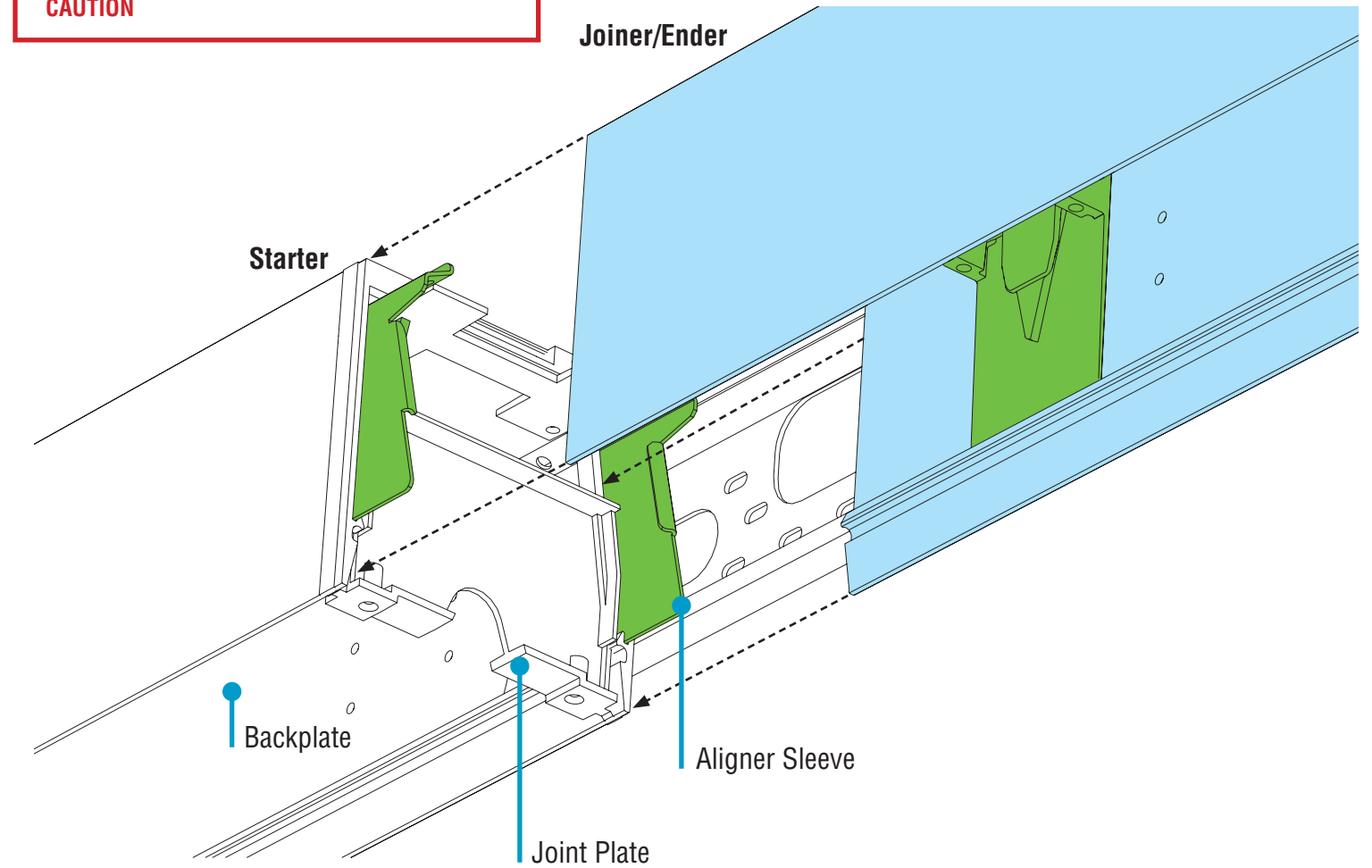
- Maneuver joiner/ender luminaire to wall and engage top and bottom hooks of the wall bracket with the top and bottom hooks of the wall rail.

### B. Join Luminaires Bottom-Up View



**CAUTION**

Once luminaires are aligned together, **joiner luminaire is not yet secure.** Ensure it does not slide off as it rests on the starter luminaire.



- Align joiner/ender with aligner sleeves on starter and slide together. Be careful not to damage any wiring.

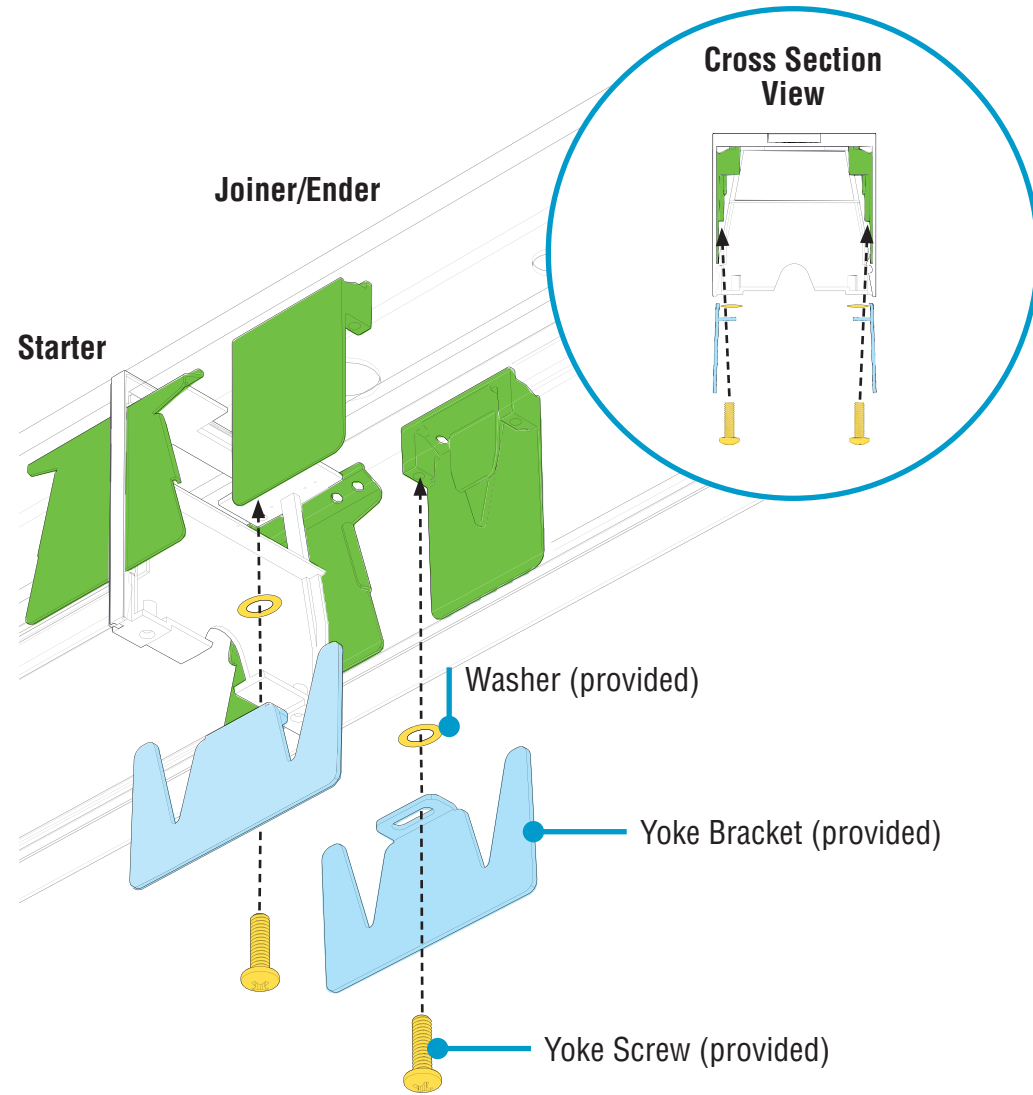


Universal &  
Robust Joints

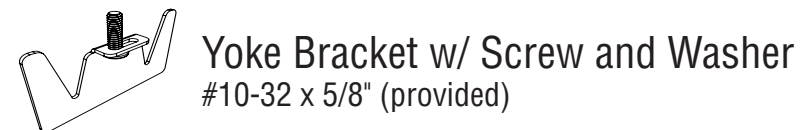
# HP-4 Wet Location Wall Mount Direct Installation Instructions

## Step 6 - Securing Luminaire Joints

### A. Secure Joint with Yoke Brackets Bottom-Up View

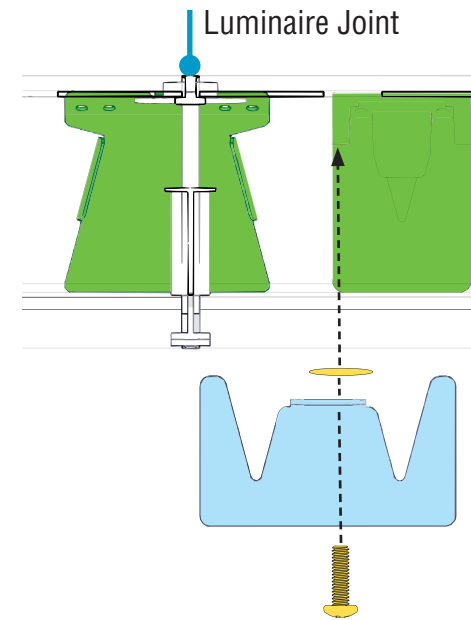


- Before installing yoke brackets, ensure the joining ends of luminaires meet flush and square.
- **CRITICAL:** Ensure yoke brackets properly engage with aligner sleeves.
- Secure joint by threading (but not yet tightening) yoke screws through yoke brackets and washers and into the aligner sleeves.
- Tighten yoke screws<sup>1</sup> until joint seam of luminaires is closed.

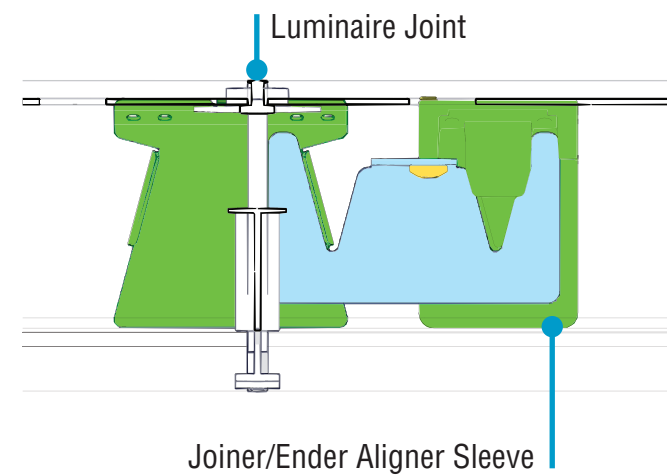


<sup>1</sup> Screwdriver with 6" bit required.

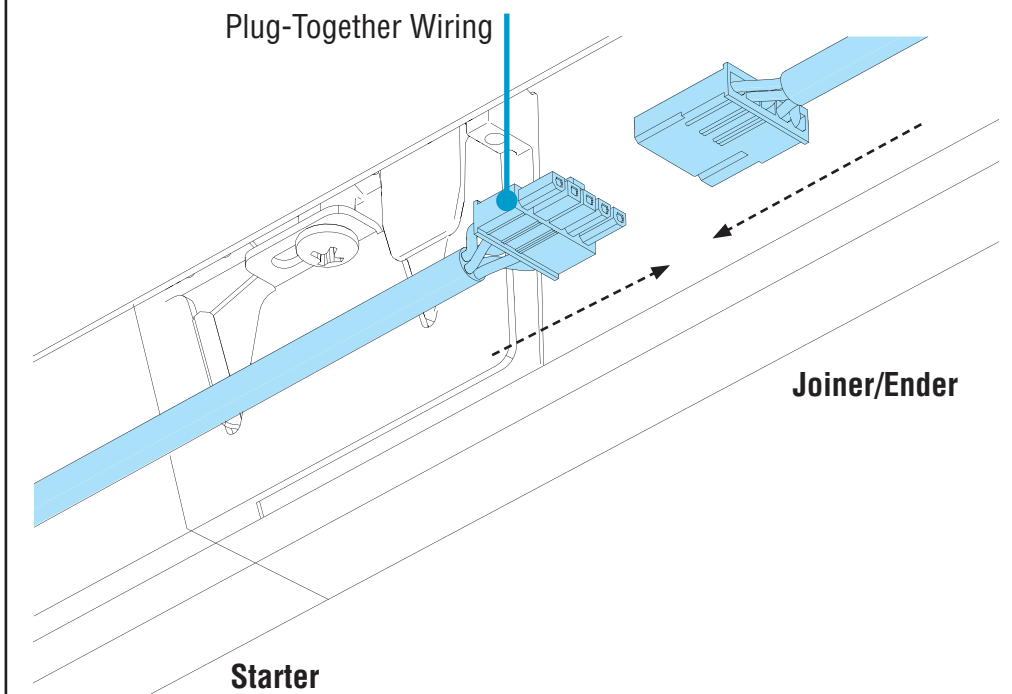
### IN ALIGNMENT



### CORRECTLY INSTALLED



### B. Make Electrical Connections Bottom-Up View



- Connect plug-together wiring.



Universal & Robust Joints



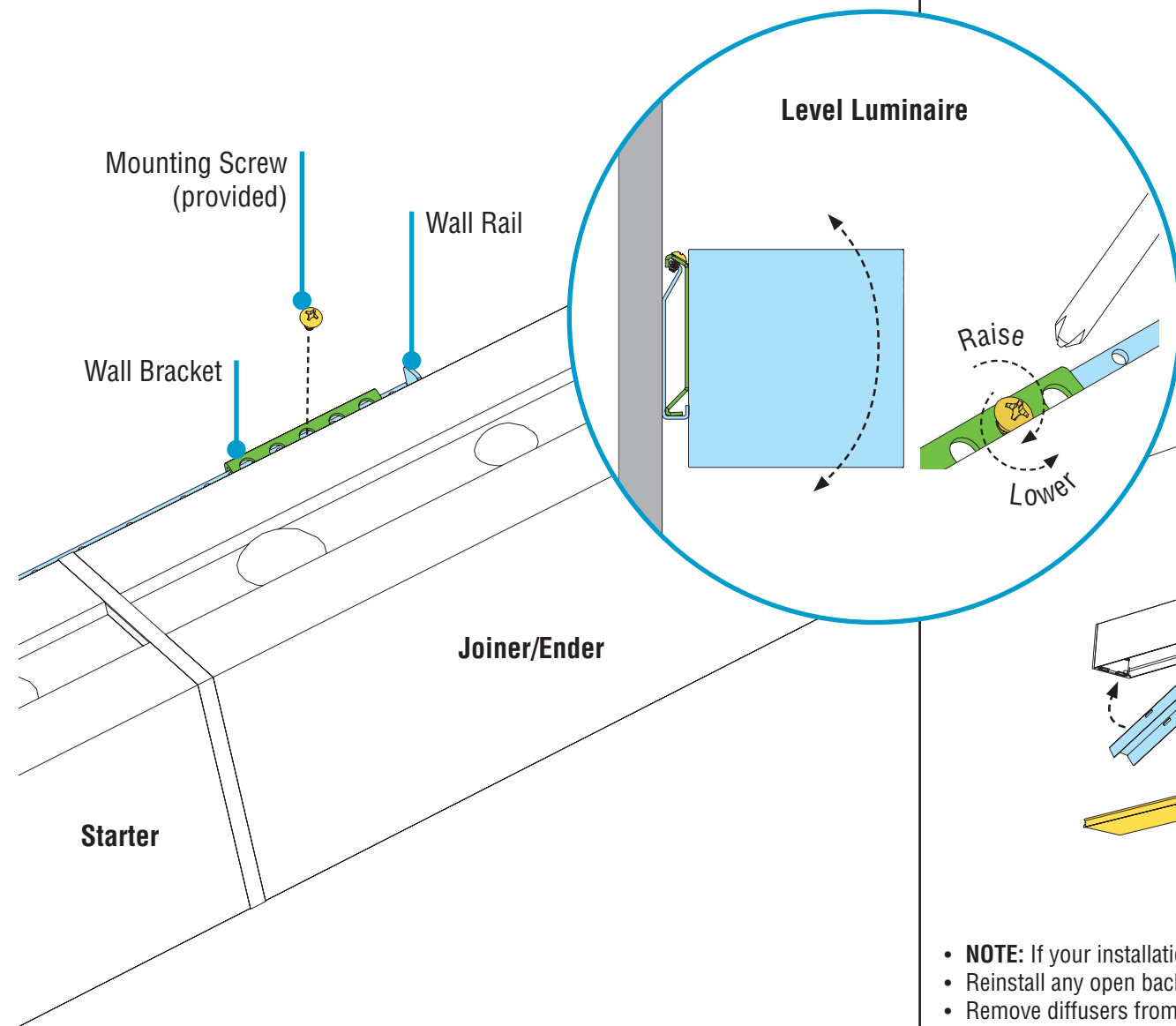
Simple Plug-Together Wiring



# HP-4 Wet Location Wall Mount Direct Installation Instructions

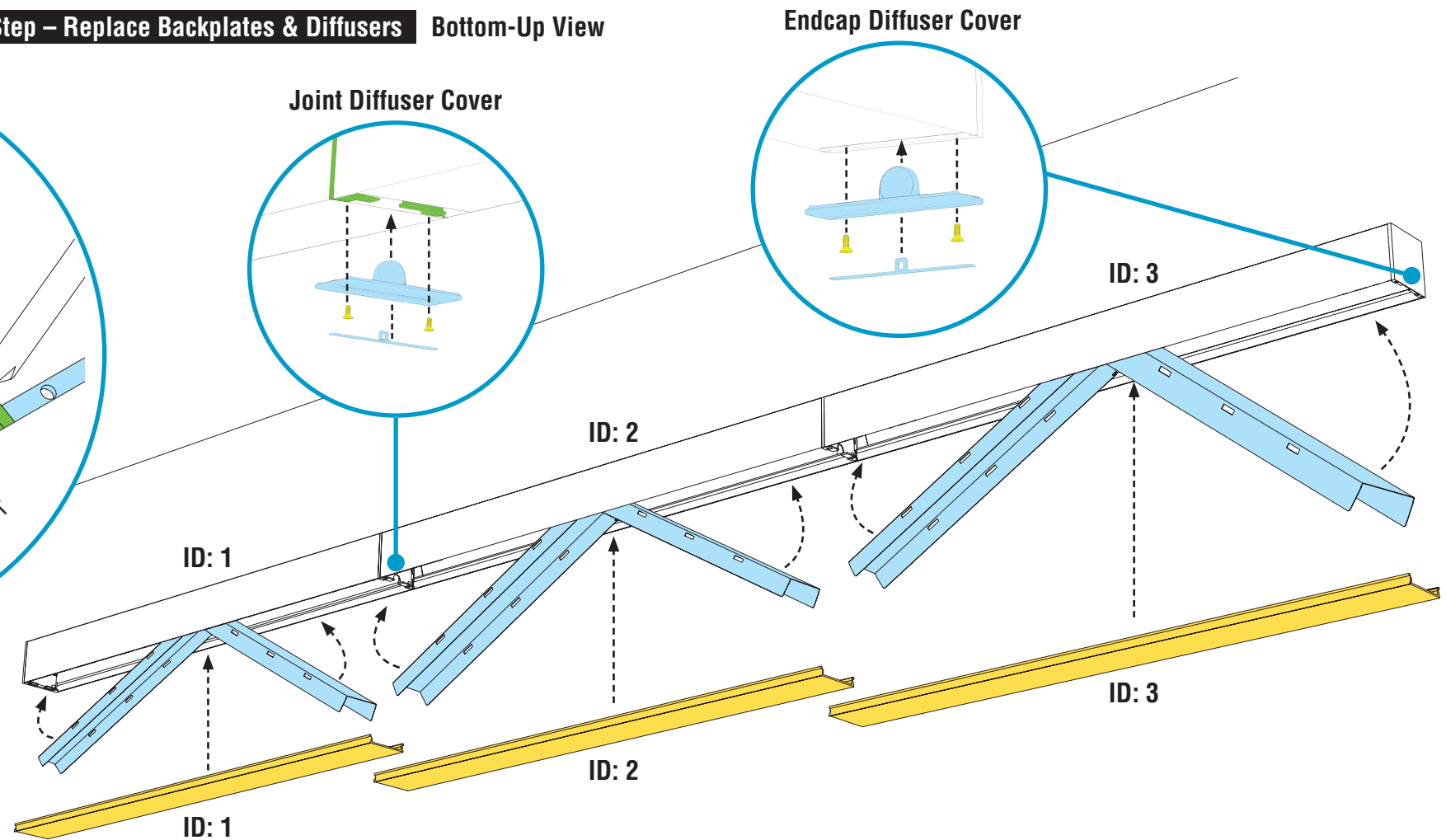
## Step 7 - Closing Luminaires

### A. Secure & Level Luminaires Top-Down View



- Secure joiner/ender luminaire to wall rail with a mounting screw.
- Use mounting screws to level all luminaire sections. Tightening the screw raises and loosening the screw lowers the front edge of the luminaire.
- Tighten yoke screws<sup>1</sup> until joint seam of luminaires is closed.

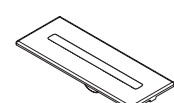
### B. Final Step – Replace Backplates & Diffusers Bottom-Up View



- **NOTE:** If your installation includes a battery backup, please see addendum (98333) that should be included with your kitting package.
- Reinstall any open backplates by rotating into luminaire body and snapping back into clips.
- Remove diffusers from protective plastic bag.
- **CAUTION:** Wear gloves to keep diffuser surface clean, take care to wipe off any water or condensation on diffusers before installing into luminaire.
- **CRITICAL:** Be sure to install correct diffuser to its corresponding luminaire ID.
- Install diffusers into luminaire body, ensuring they snap into place.
- Reinstall all endcap and joint diffuser covers.
- Turn power on to luminaire.



Endcap Diffuser Cover (provided)



Joint Diffuser Cover (provided)



Screw Cover (provided)



Diffuser Screw (provided)



Mounting Screw #8-18 x 1/4" (provided)

<sup>1</sup> Screwdriver with 6" bit required.