

# HP-4 Wet Location Surface Mount Installation Instructions

## Overview

### NOTES

- **CAUTION:** Read these instructions before proceeding.
- All power connections should be installed according to local/national codes by a Certified Electrician.
- This installation requires **proper support** as each luminaire is being installed.
- **DO NOT attempt to join luminaires together on the floor.** Damage may result when lifted.



HELPFUL  
VIDEOS



Effortless  
Access



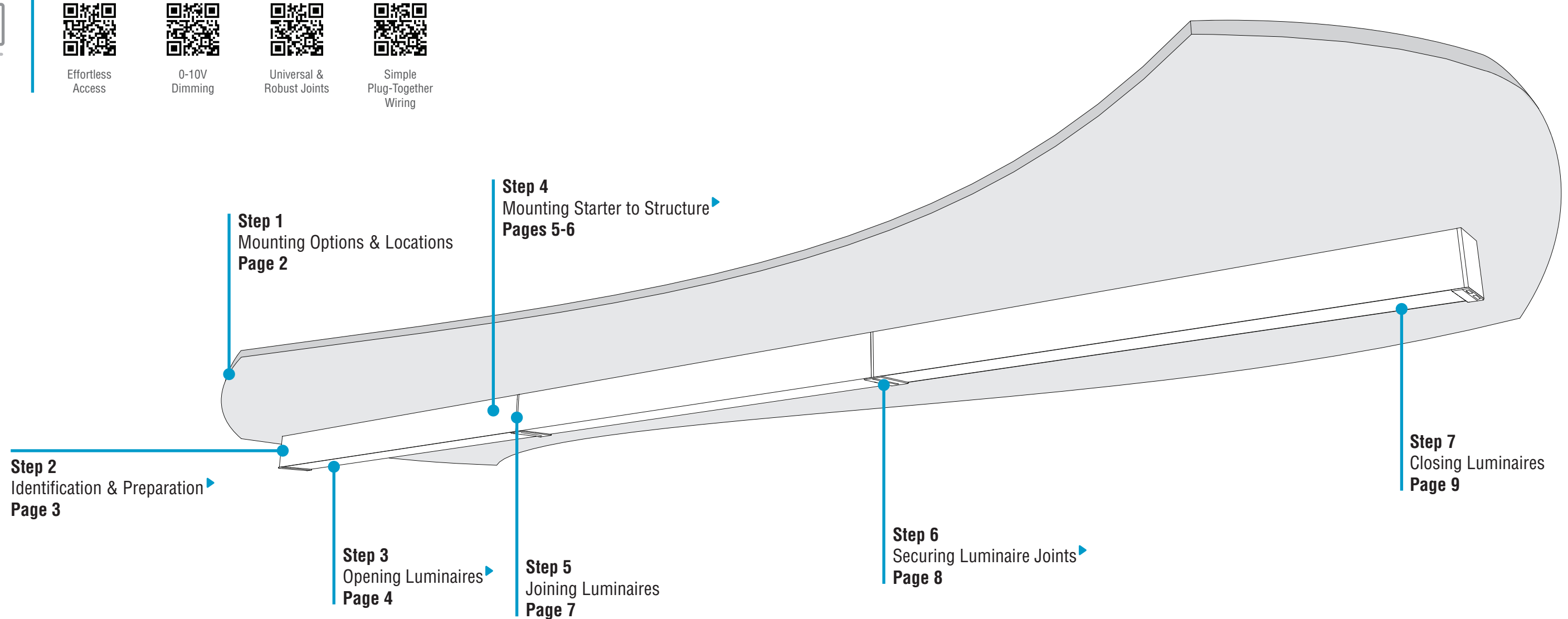
0-10V  
Dimming



Universal &  
Robust Joints



Simple  
Plug-Together  
Wiring



**Step 1**  
Mounting Options & Locations  
Page 2

**Step 4**  
Mounting Starter to Structure  
Pages 5-6

**Step 2**  
Identification & Preparation  
Page 3

**Step 3**  
Opening Luminaires  
Page 4

**Step 5**  
Joining Luminaires  
Page 7

**Step 6**  
Securing Luminaire Joints  
Page 8

**Step 7**  
Closing Luminaires  
Page 9

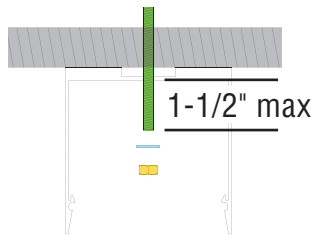
# HP-4 Wet Location Surface Mount Installation Instructions

## Step 1 - Mounting Options & Locations

### Mounting Options

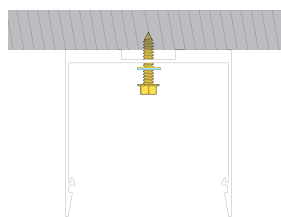
#### Option 1 - Mount to Threaded Rod

- Install threaded rods to structure.
- Threaded rod must extend into luminaire at least 3/4", no more than 1-1/2".
- Install wet rated electrical junction box and wet rated electrical conduit at feed locations.
- Remove preinstalled grommets (○) to use mounting holes.
- **NOTE:** Only remove grommets (○) at required mounting hole locations.



#### Option 2 - Mount to Support Structure

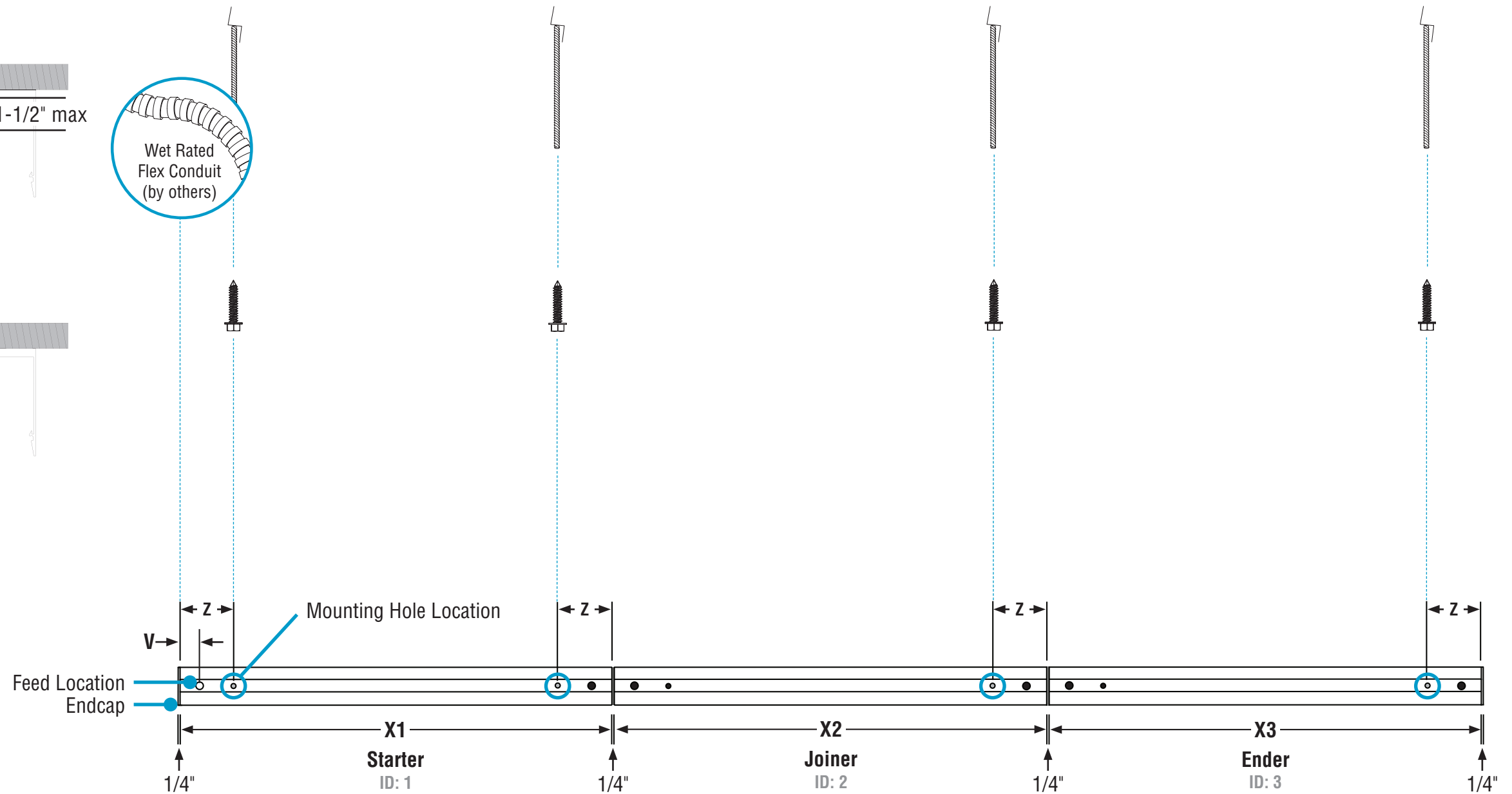
- Install wet rated electrical junction box and wet rated electrical conduit at feed locations.
- Remove preinstalled grommets (○) to use mounting holes.
- **NOTE:** Only remove grommets (○) at required mounting hole locations.



### Mounting Locations

X = Luminaire section length  
(X Measurements do not include endcaps or joint adapters)

	Z = Mounting Hole Location (Does not include endcaps or joint adapters)	V = Feed Location
HP-4	6"	2-1/4"



- Luminaire mounting holes sized for 1/4"-20 hardware.
- Refer to Record Drawings and building plans to determine exact mounting, suspension points, and power feed locations.
- **CRITICAL:** Must be secured to support blocking (studs). Luminaire body must be fully mounted and flush to solid structure.

#### Mounting Option 1

- Threaded Rod (by others)
- 1/4"-20 Sealing Washer (provided)
- 1/4"-20 Nut (by others)

#### Mounting Option 2

- 1/4"-20 Lag Bolt (by others)
- 1/4"-20 Sealing Washer (provided)

- Wet Rated Flex Conduit (by others)

- Grommet (provided)

# HP-4 Wet Location Surface Mount Installation Instructions

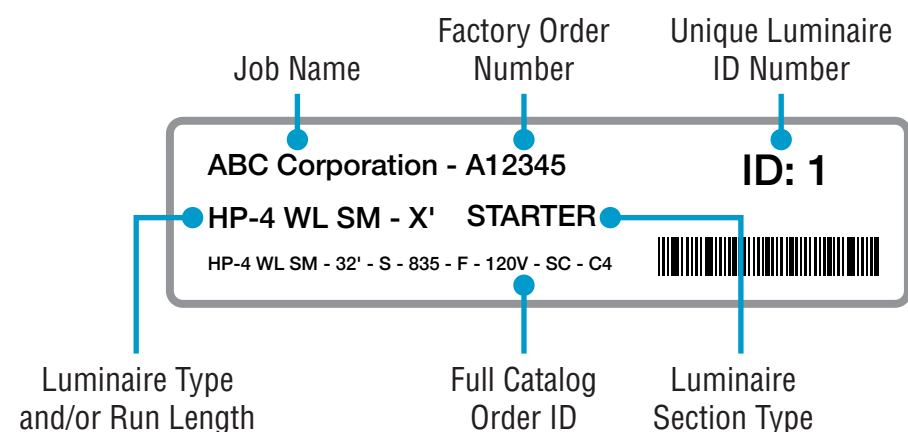
## Step 2 - Identification & Preparation

### A. Identify Luminaires



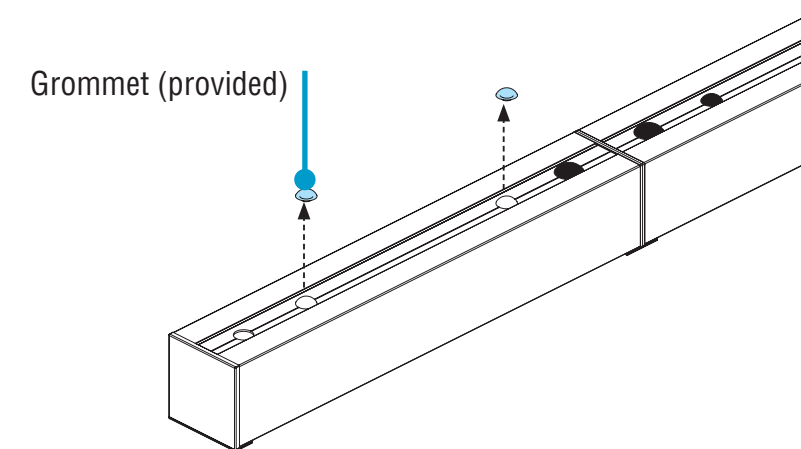
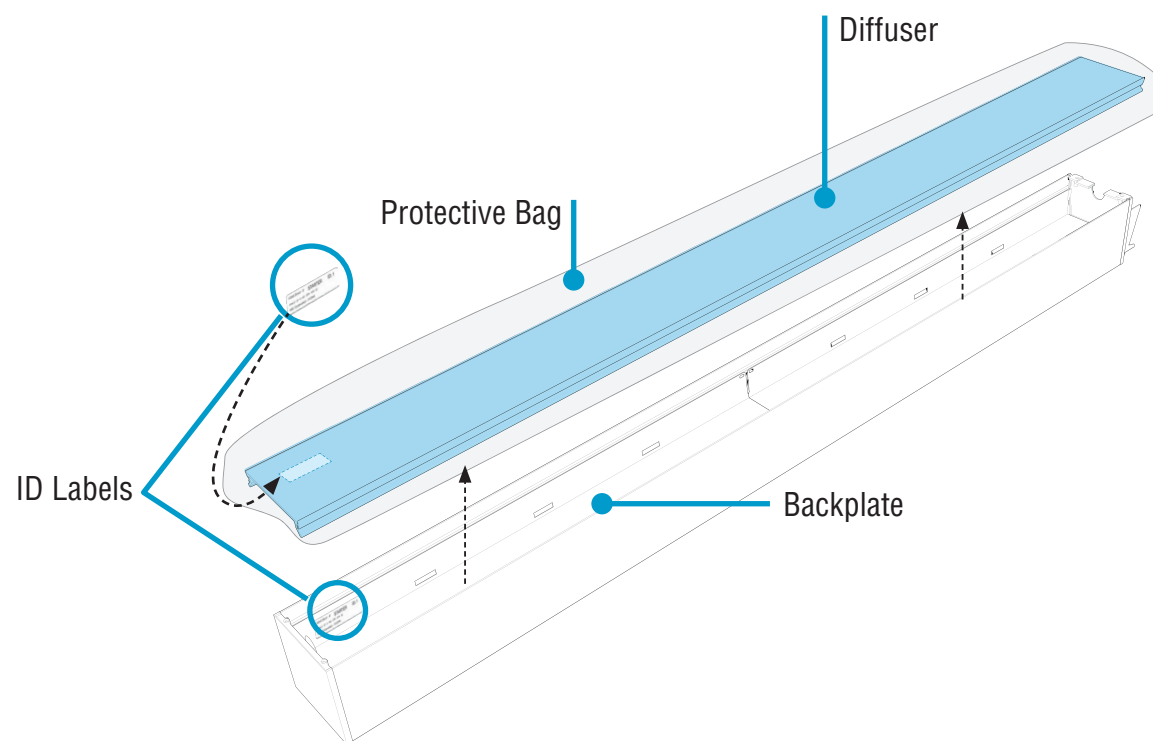
**CAUTION**

Arrange luminaires in order according to ID# at their install locations.



- Identify all luminaires by their ID label that can be found on the box, the diffuser, and inside the luminaire.
- **NOTE:** Exact location of labels in these areas may vary.
- Remove all luminaires from their box.
- Refer to record drawings that can be found in the hardware kit.

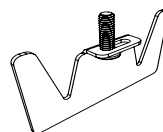
### B. Remove Diffusers & Grommets at Required Locations Top-Down View



- Carefully remove all diffusers, keeping them inside their protective bags.
- Set aside all diffusers to prevent them from getting dirty or damaged.
- Ensure diffusers can be clearly identified back to their corresponding luminaire.
- Use a flathead screwdriver to remove grommets at required mounting hole locations.

### Kitted Hardware

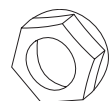
- Finelite has provided items listed here, with their Finelite part numbers. These items can be found in separate boxes shipped with the luminaire.
- Account for all parts and set aside until they are needed.
- All other hardware needed for this installation will be by others.



**Yoke Bracket**  
Part# 43659

**Washer**  
Part# 94111

**#10-32 x 5/8" Screw**  
Part# 94144  
Securing Luminaire Joints  
p. 8, Step 6



**Nylon Nut**  
Part# 43695  
Mounting Starter to Structure  
p. 5, Step 4



**1/4"-20 Sealing Washer**  
Part# 76407  
Mounting Starter to Structure  
p. 6, Step 4  
Joint Luminaires  
p. 7, Step 5



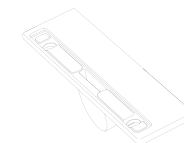
**Sealing O-Ring**  
Part# 43696  
Mounting Starter to Structure  
p. 5, Step 4



**Diffuser Screw**  
#6-32 x 3/8" Screw - Part# 76404  
Identification & Preparation  
p. 3, Step 2  
Closing Luminaires  
p. 9, Step 7



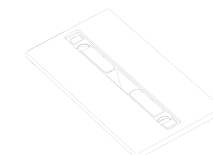
**Grommet**  
Part# 43694  
Mounting Options & Locations  
p. 2, Step 1  
Identification & Preparation  
p. 3, Step 2



**Endcap Diffuser Cover**  
Part# 43738  
Identification & Preparation  
p. 3, Step 2  
Closing Luminaires  
p. 9, Step 7



**Screw Cover**  
Part# 43637  
Identification & Preparation  
p. 3, Step 2  
Closing Luminaires  
p. 9, Step 7



**Joint Diffuser Cover**  
Part# 43740  
Identification & Preparation  
p. 3, Step 2  
Closing Luminaires  
p. 9, Step 7



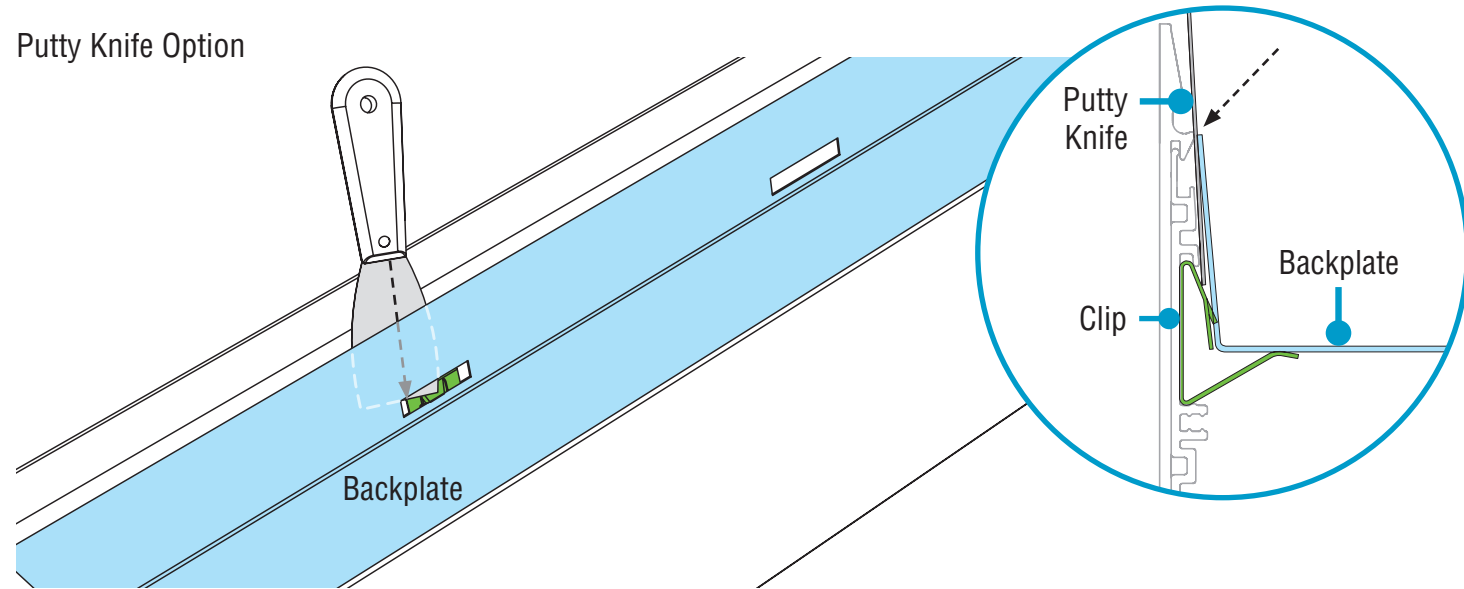
Effortless  
Access

# HP-4 Wet Location Surface Mount Installation Instructions

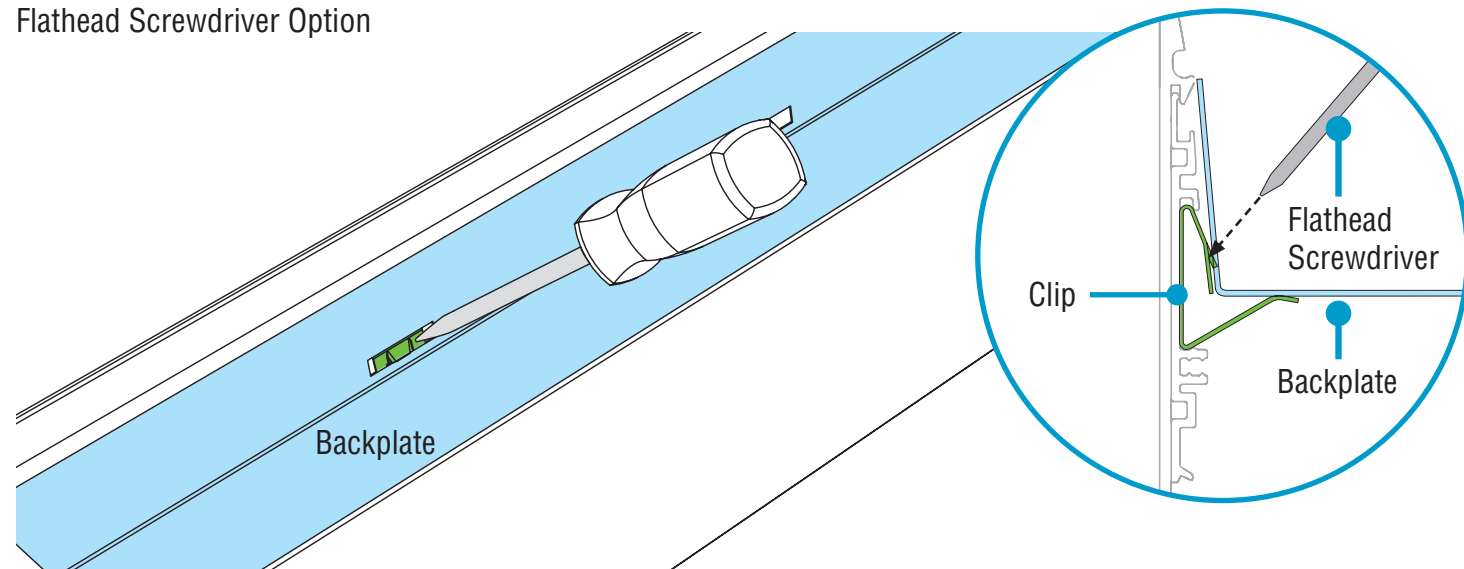
## Step 3 - Opening Luminaires

### Release Backplates Top-Down View

Putty Knife Option

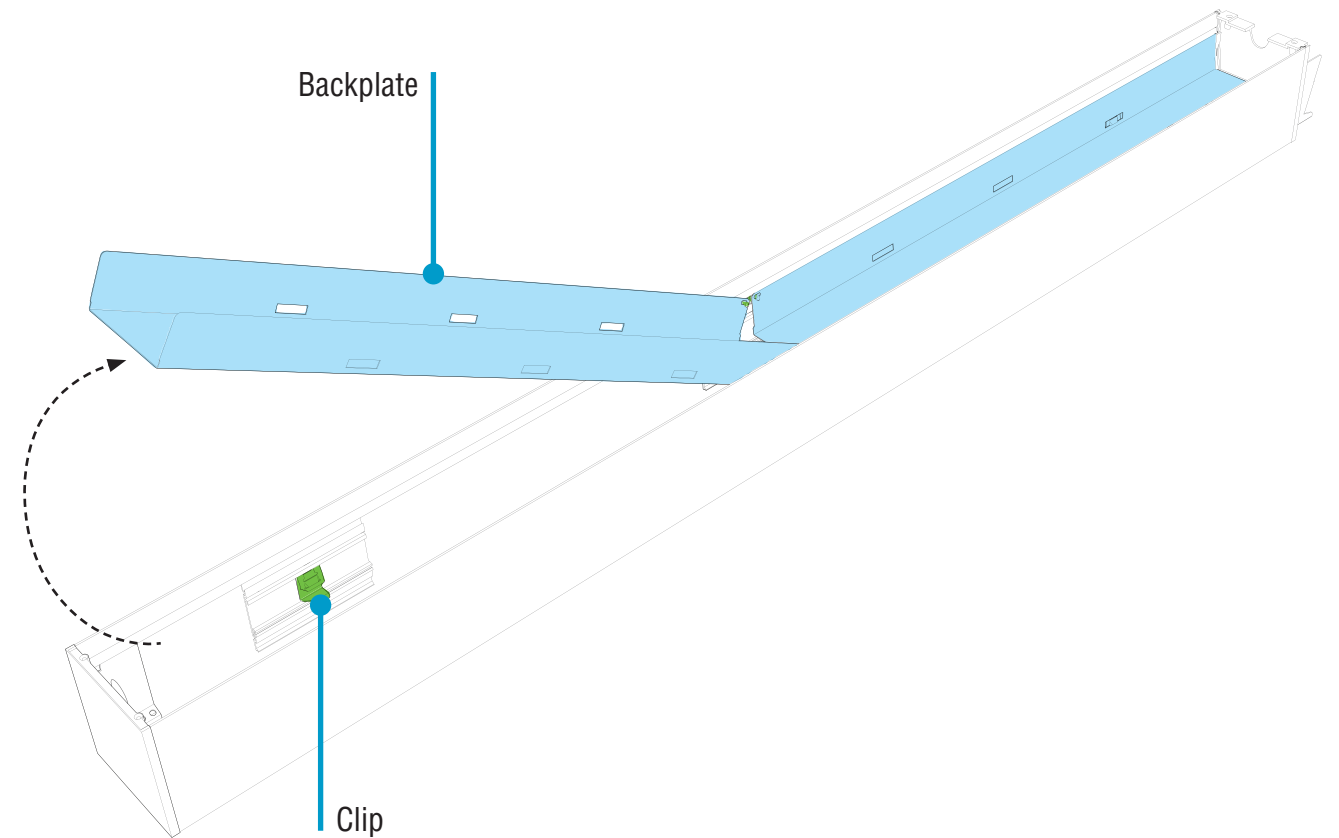


Flathead Screwdriver Option



- Open all backplates for access to mounting points.
- Release the backplates from clips by sliding the blade of a putty knife behind backplate edges.
- To use a flathead screwdriver: From inside backplate, press end of screwdriver against the clip until the backplate is released.

- Carefully rotate all backplates out and let them hang from luminaire body.

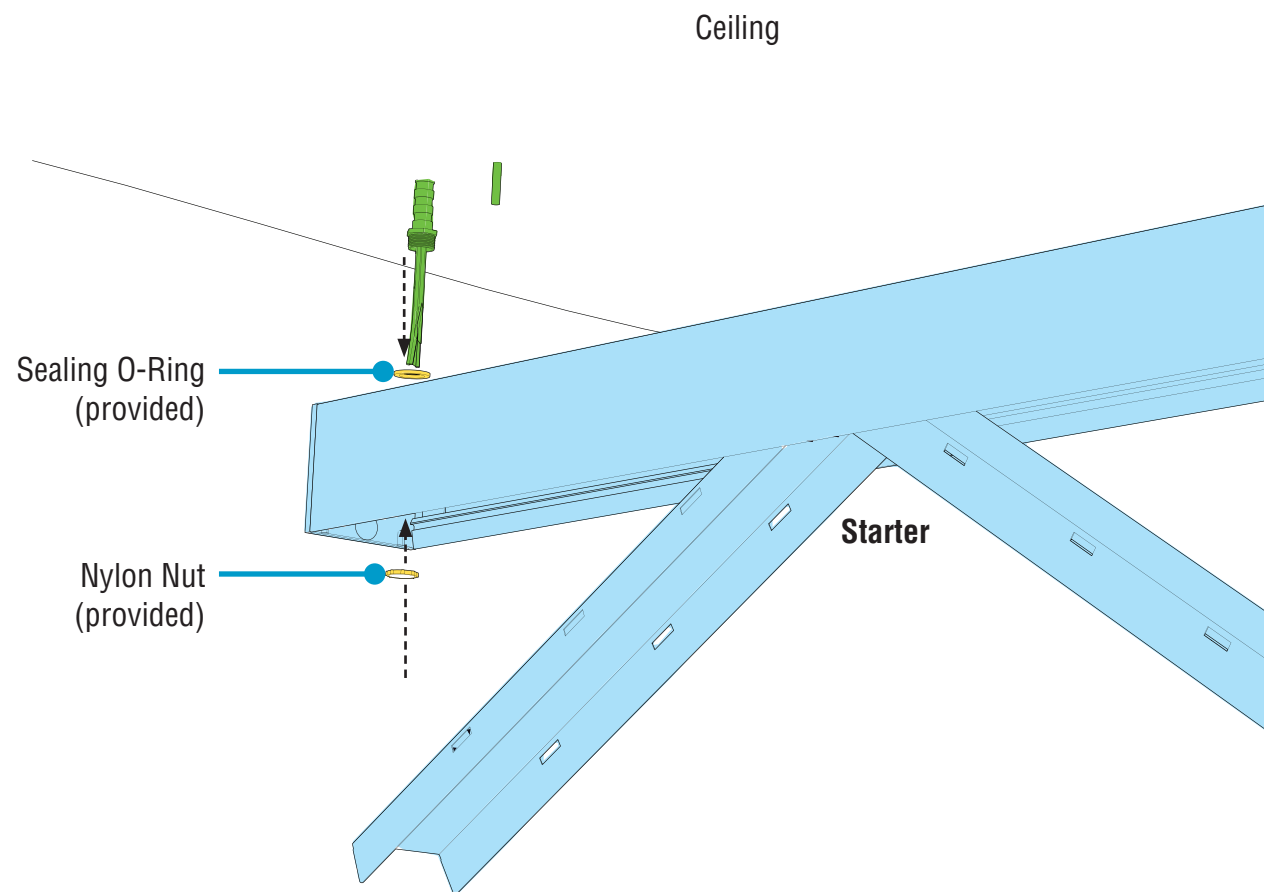


Effortless  
Access

# HP-4 Wet Location Surface Mount Installation Instructions

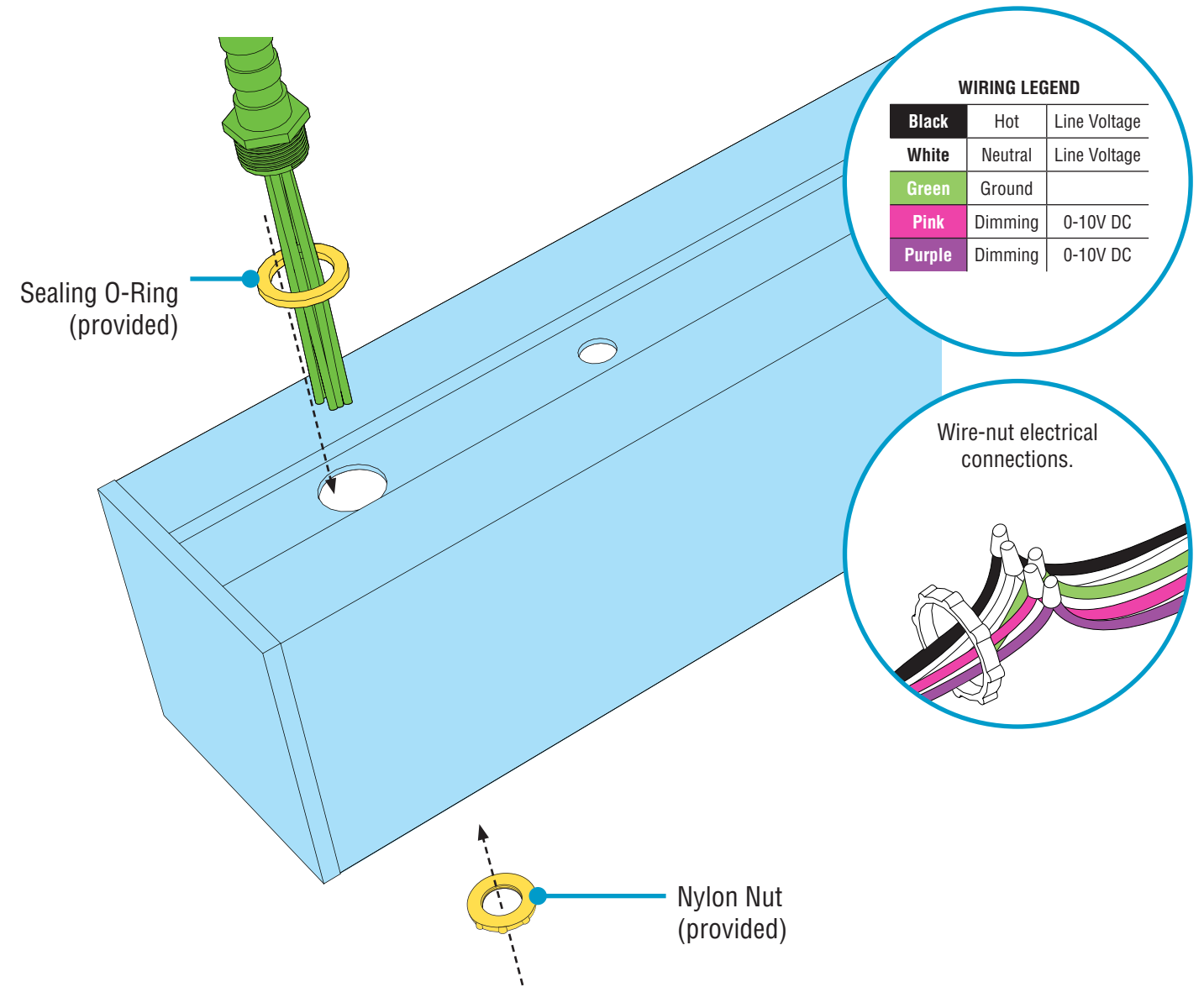
## Step 4 - Mounting Starter to Structure

**A. Make Electrical Connections** Bottom-Up View



- While properly supporting luminaire, maneuver luminaire near wall/ceiling.
- Make electrical connections at **TOP** of luminaire.

Top-Down View



- Install conduit, sealing o-ring, and nylon nut onto the luminaire.
- Wire-nut electrical connections. See wiring legend above.



CONTINUED

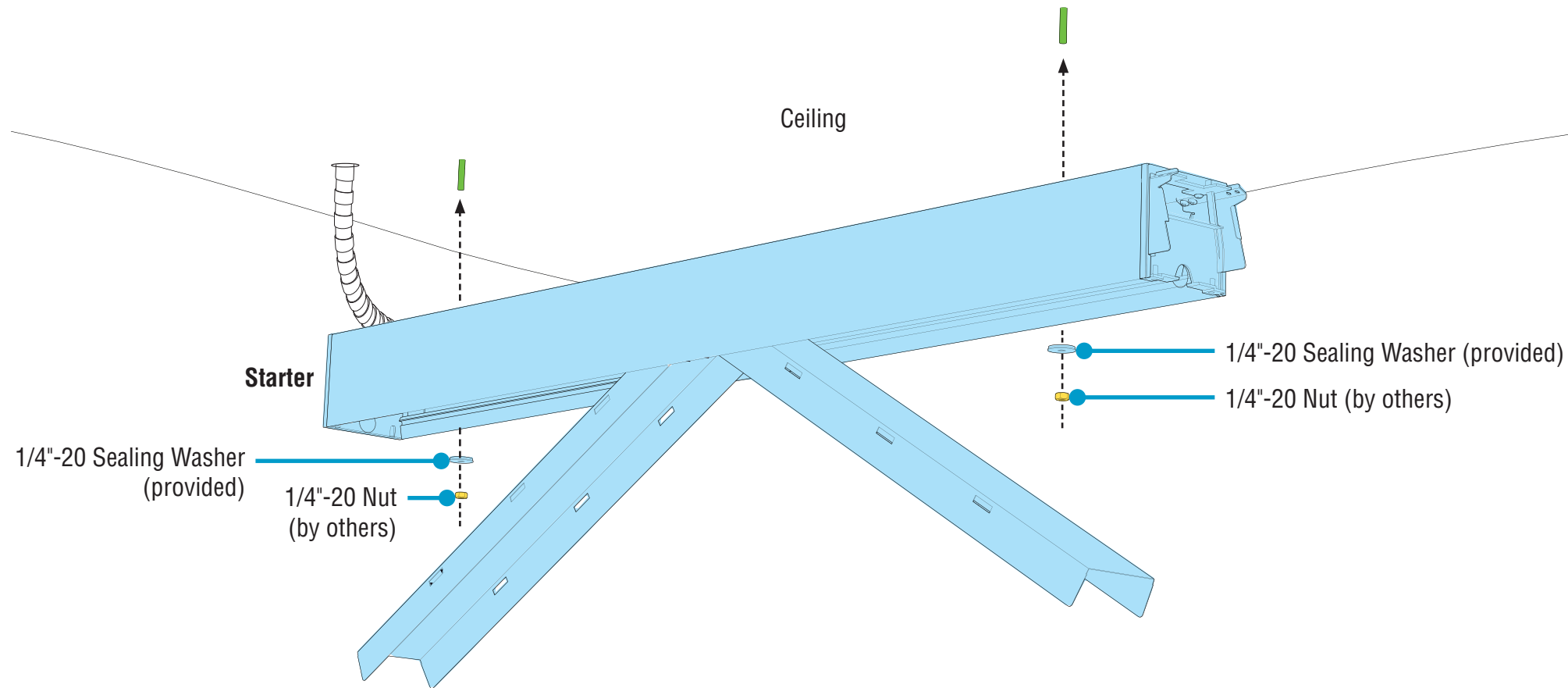


0-10V  
Dimming

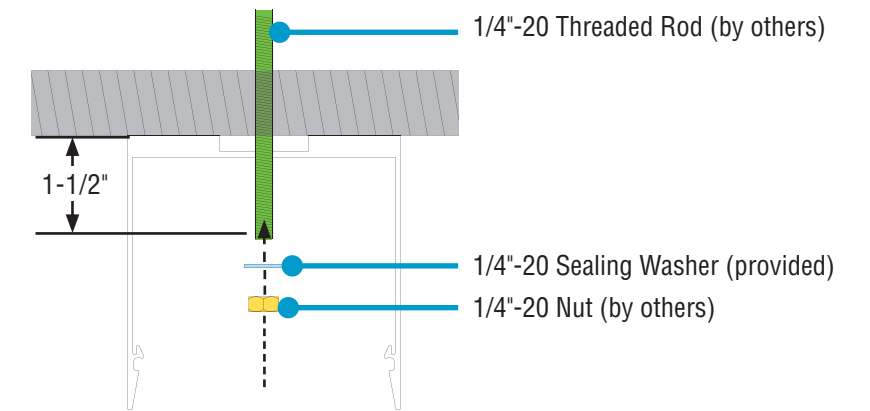
# HP-4 Wet Location Surface Mount Installation Instructions

## Step 4 - Mounting Starter to Structure

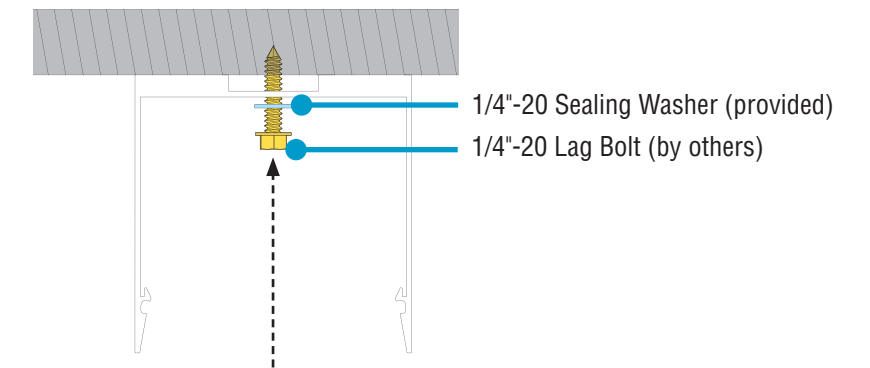
**B. Mount Starter to Structure** Bottom-Up View



**Option 1 (Shown) - Mount to Threaded Rod**



**Option 2 - Mount to Structure**



**Option 1 (Shown) - Mount to Threaded Rod**

- Align mounting holes with hanging hardware.
- Install 1/4"-20 nut and 1/4"-20 sealing washer onto 1/4"-20 threaded rod.
- **CRITICAL:** If installing a joiner luminaire in the next step, leave nut loose, allowing luminaire to hang at an angle.
- If there is no joiner/ender, then tighten nuts fully. **PROCEED TO STEP 7.**

**Option 2 - Mount to Structure**

- Place luminaire onto wall/ceiling and mount to structure support with hardware appropriate for the structure type.
- **CRITICAL:** If installing a joiner luminaire in the next step, leave loose, allowing luminaire to hang at an angle.
- If there is no joiner/ender, then tighten nuts fully. **PROCEED TO STEP 7.**

**Mounting Option 1**

- Threaded Rod (by others)
- 1/4"-20 Sealing Washer (provided)
- 1/4"-20 Nut (by others)

**Mounting Option 2**

- 1/4"-20 Lag Bolt (by others)
- 1/4"-20 Sealing Washer (provided)



# HP-4 Wet Location Surface Mount Installation Instructions

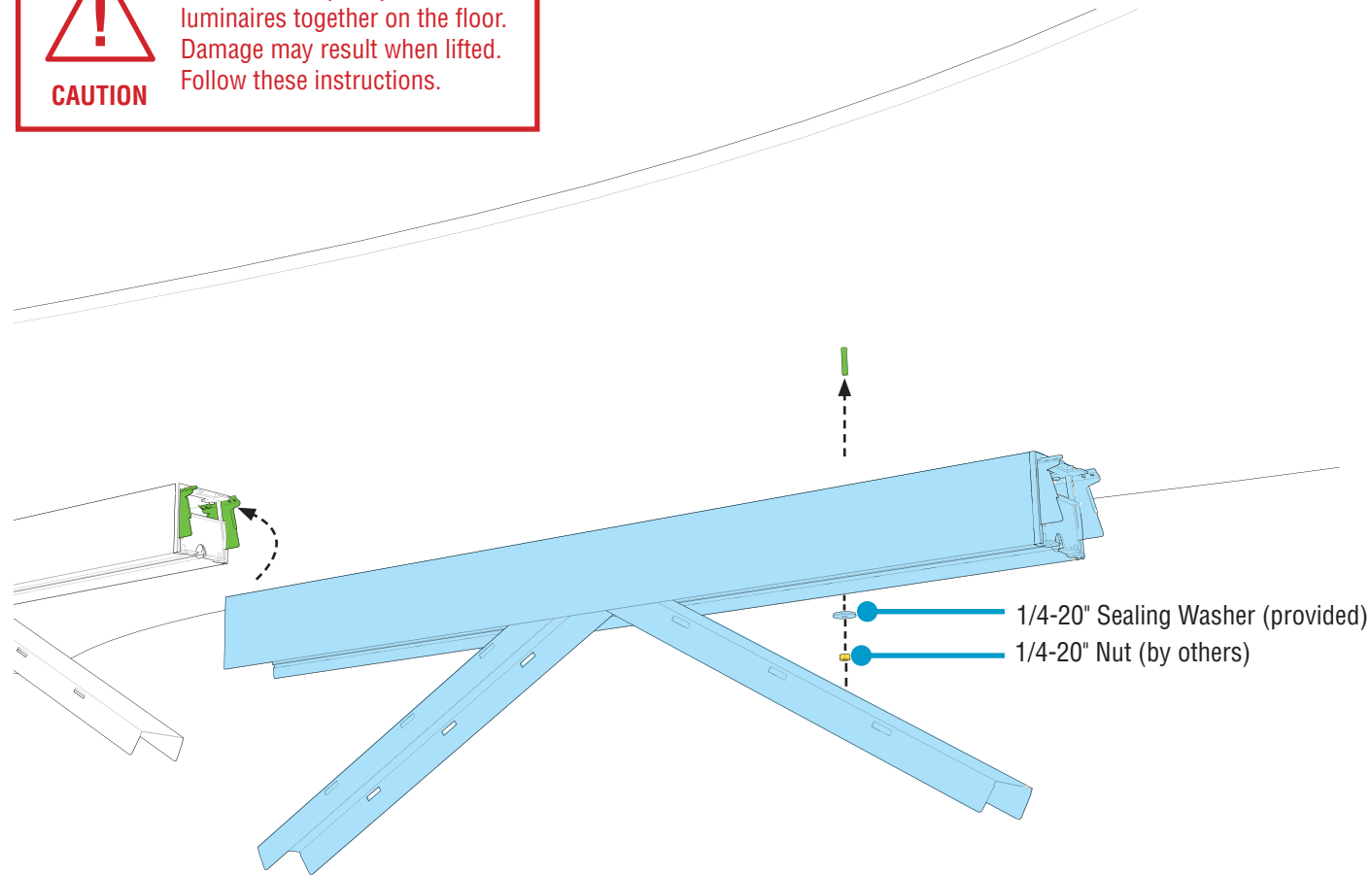
## Step 5 - Joining Luminaires

### A. Mount Joiner/Ender to Structure Bottom-Up View



**CAUTION**

**DO NOT** attempt to join luminaires together on the floor. Damage may result when lifted. Follow these instructions.



#### Option 1 (Shown) - Mount to Threaded Rod

- Align mounting holes with hanging hardware.
- Install 1/4"-20 nut and 1/4"-20 washer onto 1/4"-20 threaded rod.
- **NOTE:** If installing a joiner luminaire, leave nut loose, allowing luminaire to hang at an angle.
- If there is no joiner/ender, then tighten nuts fully.

#### Option 2 - Mount to Structure

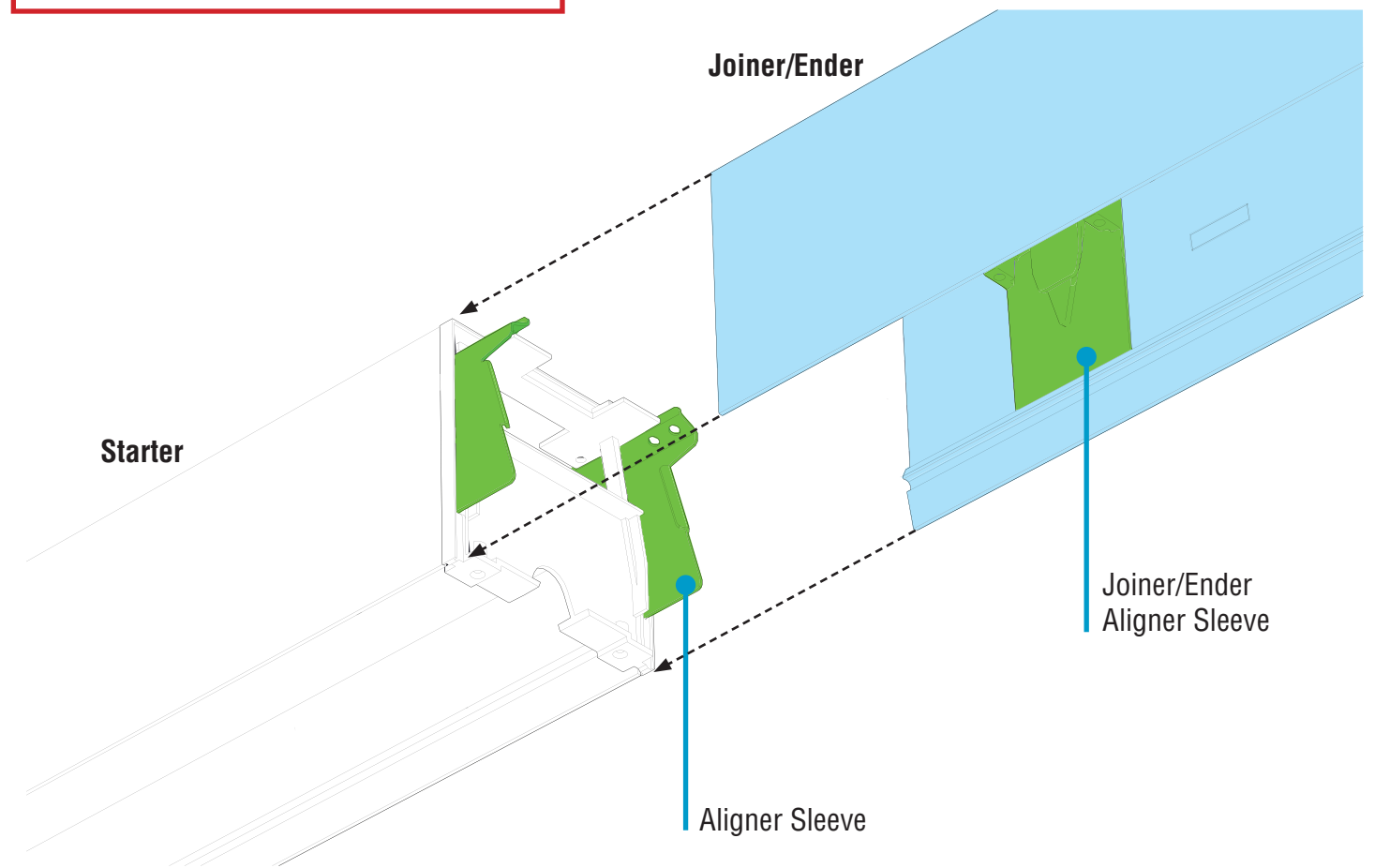
- Mount to structure support with hardware appropriate for the structure type.
- **NOTE:** If installing a joiner luminaire, leave nut loose, allowing luminaire to hang at an angle.
- If there is no joiner/ender, then tighten nuts fully.

### B. Join Luminaires Bottom-Up View



**CAUTION**

Once luminaires are aligned together, **joiner luminaire is not yet secure.** Ensure it does not slide off as it rests on the starter luminaire.



- Align joiner/ender with aligner sleeves on starter and slide together. Be careful not to damage any wiring.
- If necessary, **lift** both luminaires, then slide them together.

#### Mounting Option 1

Threaded Rod  
(by others)



1/4"-20 Sealing Washer  
(provided)



1/4"-20 Nut  
(by others)

#### Mounting Option 2



1/4"-20 Lag Bolt  
(by others)



1/4"-20 Sealing Washer  
(provided)

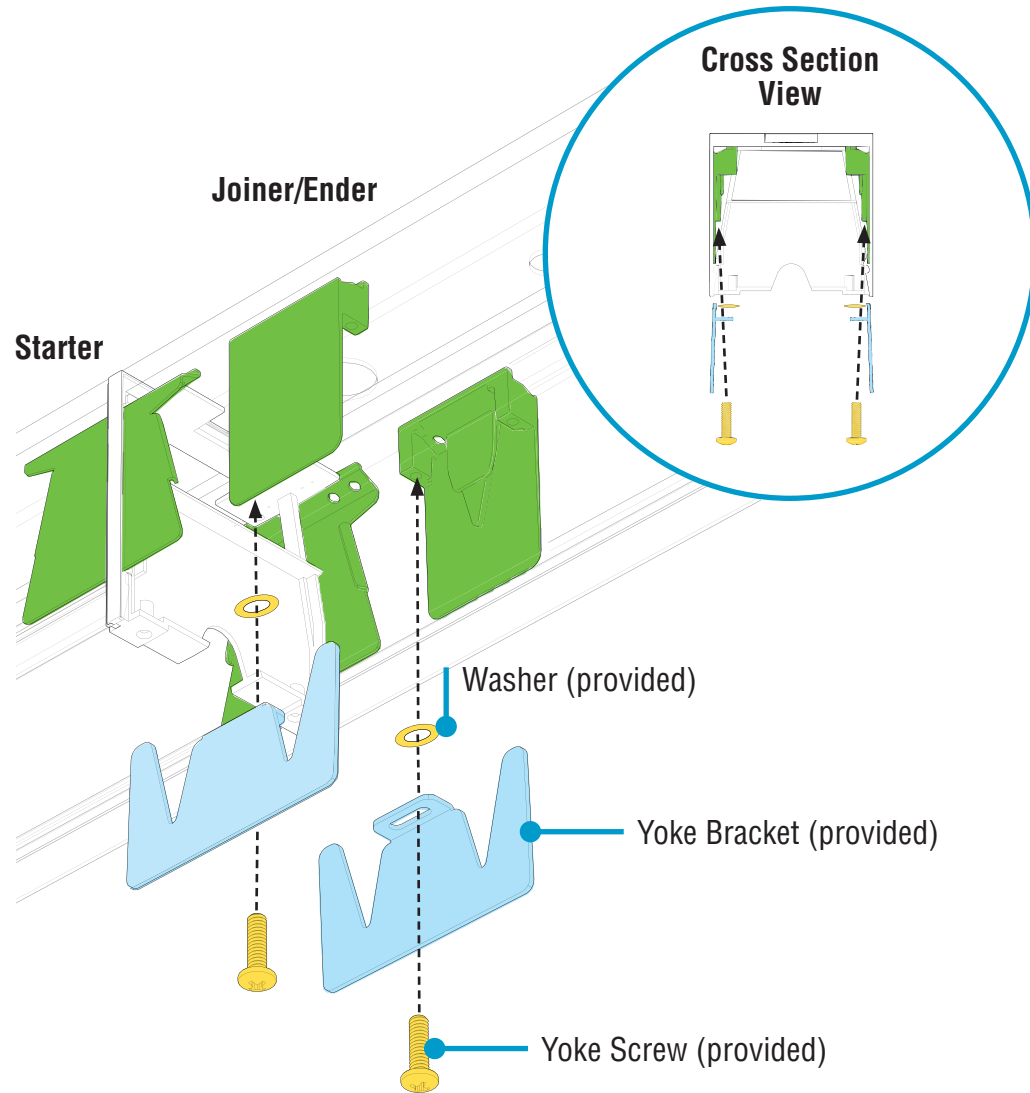


Universal &  
Robust Joints

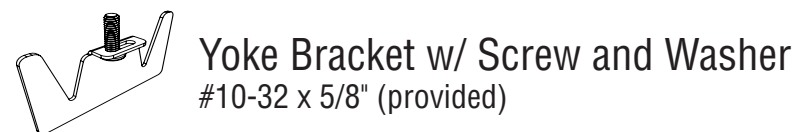
# HP-4 Wet Location Surface Mount Installation Instructions

## Step 6 - Securing Luminaire Joints

### A. Secure Joint with Yoke Brackets Bottom-Up View

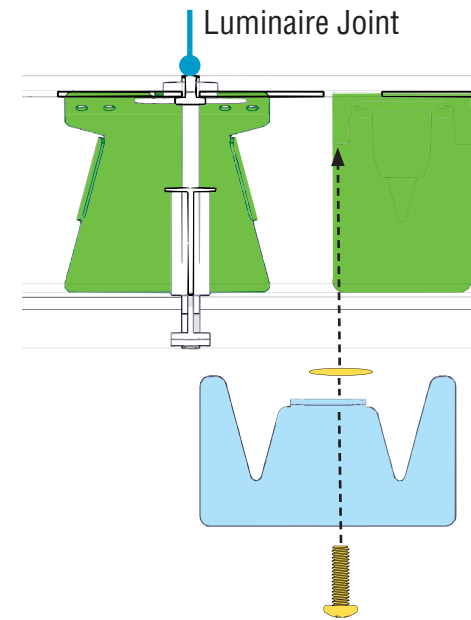


- Before installing yoke brackets, ensure the joining ends of luminaires meet flush and square.
- **CRITICAL:** Ensure yoke brackets properly engage with aligner sleeves.
- Secure joint by threading (but not yet tightening) yoke screws through yoke brackets and washers and into the aligner sleeves.
- Tighten yoke screws<sup>1</sup> until joint seam of luminaires is closed.

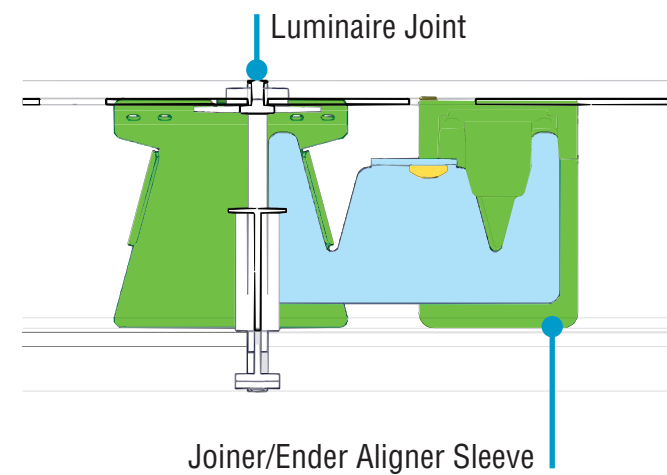


<sup>1</sup> Screwdriver with 6" bit required.

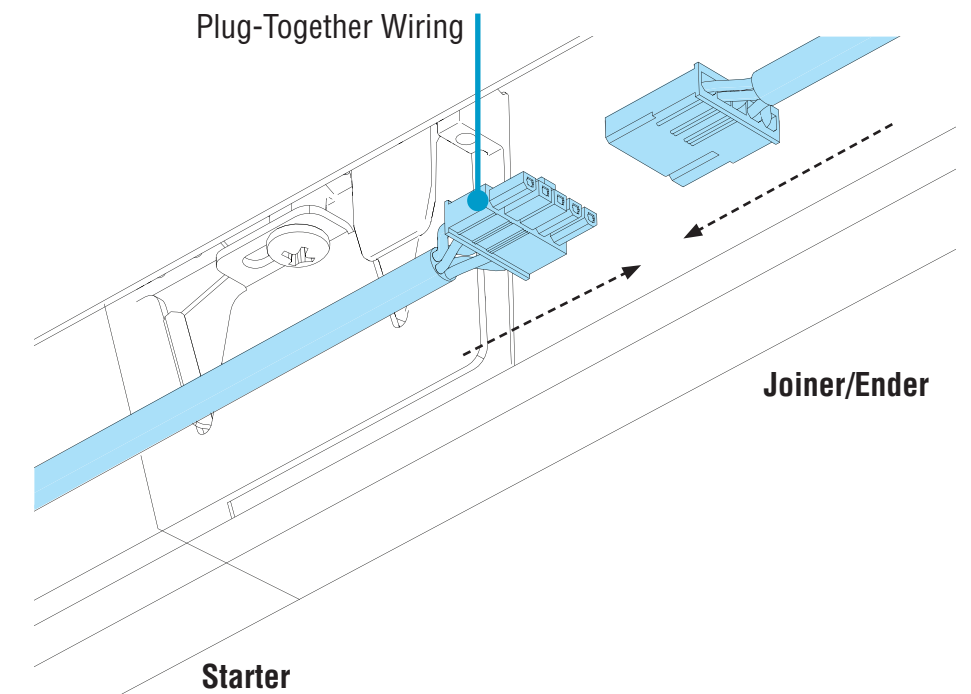
### IN ALIGNMENT



### CORRECTLY INSTALLED



### B. Make Electrical Connections Bottom-Up View



- Connect plug-together wiring.



Universal & Robust Joints



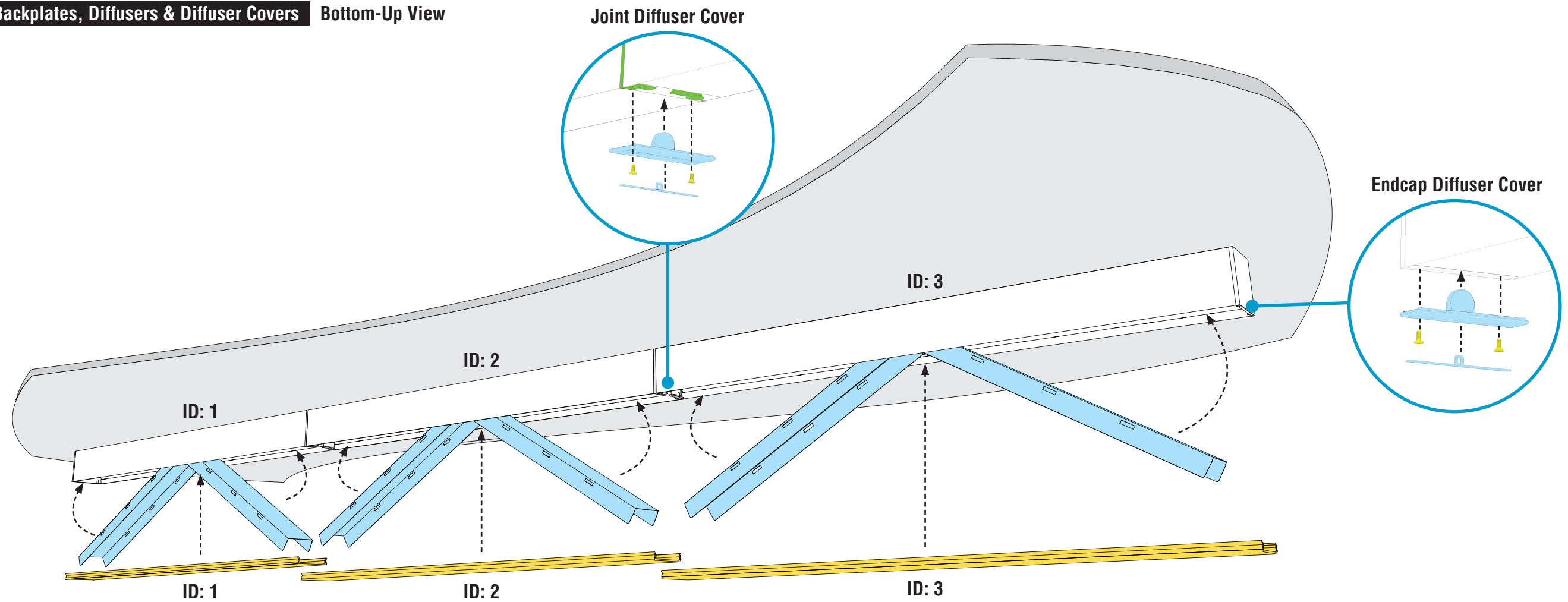
Simple Plug-Together Wiring



# HP-4 Wet Location Surface Mount Installation Instructions

## Step 7 - Closing Luminaires

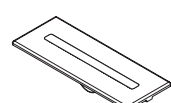
**Final Step - Replace Backplates, Diffusers & Diffuser Covers** Bottom-Up View



- **NOTE:** If your installation includes a battery backup, please see addendum (98333) that should be included with your kitting package.
- Reinstall any open backplates by rotating into luminaire body and snapping back into clips.
- Remove diffusers from protective plastic bag.
- **CAUTION:** Wear gloves to keep diffuser surface clean, take care to wipe off any water or condensation on diffusers before installing into luminaire.
- **CRITICAL:** Be sure to install correct diffuser to its corresponding luminaire ID.
- Install diffusers into luminaire body, ensuring they snap into place.
- Reinstall all endcap and joint diffuser covers.
- Turn power on to luminaire.



Endcap Diffuser Cover (provided)



Joint Diffuser Cover (provided)



Screw Cover (provided)



Diffuser Screw (provided)