

# HP-4 Wet Location Direct Stem Installation Instructions

## Overview

### NOTES

- All power connections should be installed according to local/national codes by a Certified Electrician.
- This installation requires **proper support** as each luminaire is being installed.
- **DO NOT attempt to join luminaires together on the floor.** Damage may result when lifted.



HELPFUL  
VIDEOS



Effortless  
Access



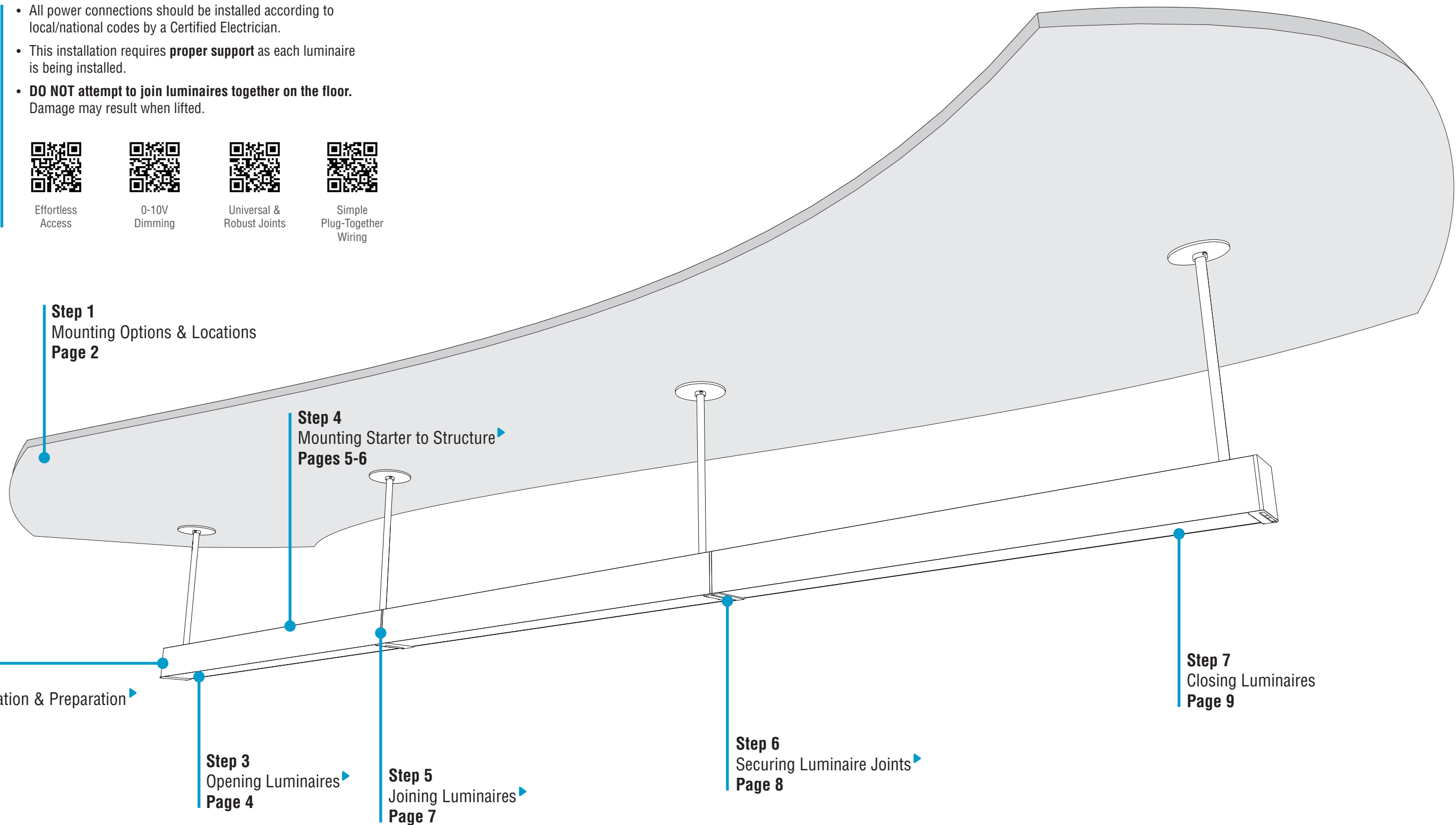
0-10V  
Dimming



Universal &  
Robust Joints



Simple  
Plug-Together  
Wiring



**Step 1**  
Mounting Options & Locations  
Page 2

**Step 4**  
Mounting Starter to Structure  
Pages 5-6

**Step 2**  
Identification & Preparation  
Page 3

**Step 3**  
Opening Luminaires  
Page 4

**Step 5**  
Joining Luminaires  
Page 7

**Step 6**  
Securing Luminaire Joints  
Page 8

**Step 7**  
Closing Luminaires  
Page 9

# HP-4 Wet Location Direct Stem Installation Instructions

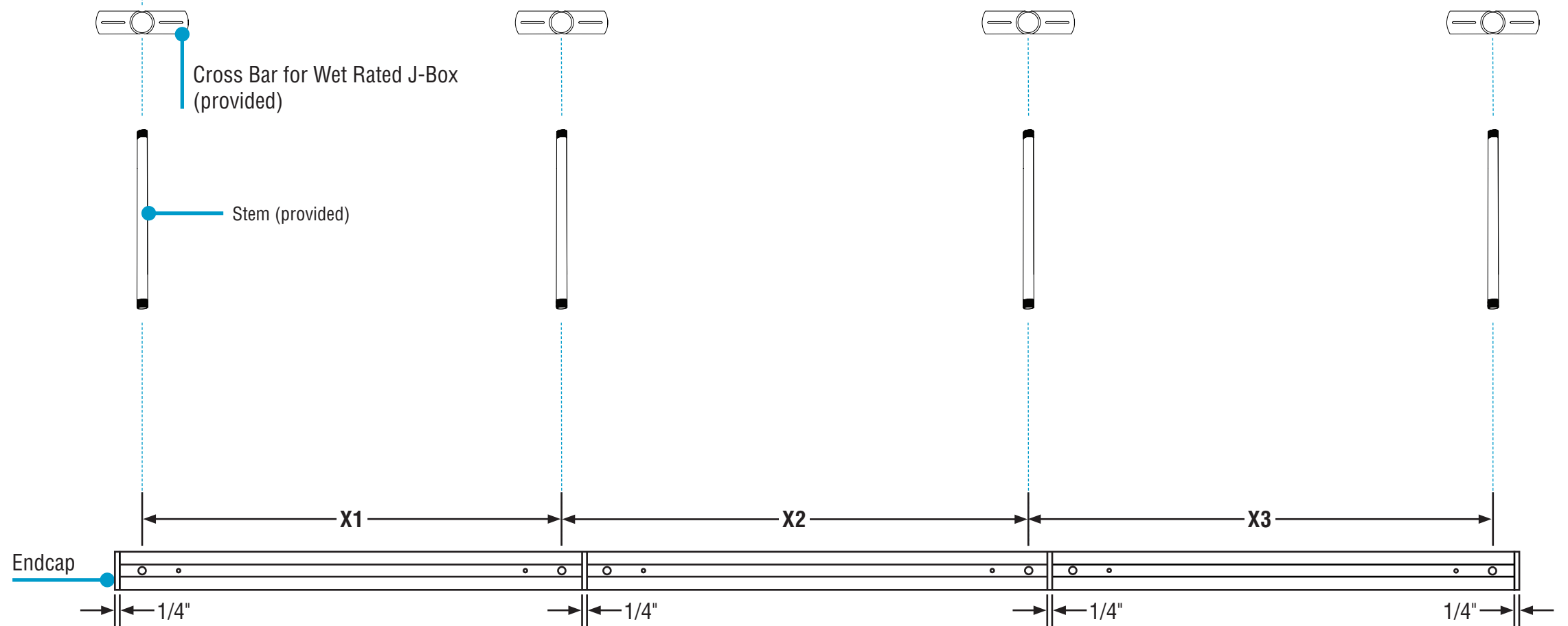
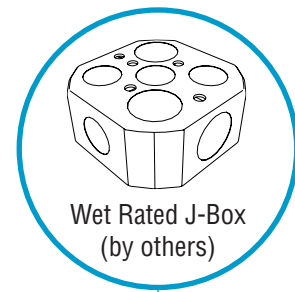
## Step 1 - Mounting Options & Locations

### Mounting Options

- Install Wet Rated J-Box at feed locations.
- Other hard surfaces include: wood, sheet metal panels, steel beams, concrete, or masonry. Use hardware appropriate for each surface material type.

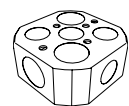
### Mounting Locations

- X = Luminaire section length  
(X Measurements **do not include** endcaps or joint adapters)

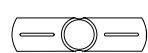


**NOTE:**  
All HP-4 Wet Location luminaires **CANNOT** be installed upside down for indirect / uplight illumination. All HP-4 Wet Location luminaires are direct / downlight illumination only.

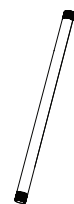
- Refer to Record Drawings and building plans to determine exact mounting, suspension points, and power feed locations.
- **CRITICAL:** Must be secured to support blocking (studs)<sup>1</sup>.



Wet Rated J-Box  
(by others)



Cross Bar  
(provided)



Stem  
(provided)

<sup>1</sup> Support blocking = Wooden beams/studs, sheet metal framing beams, steel beams, concrete beams, etc. Use hardware appropriate to the blocking material.

# HP-4 Wet Location Direct Stem Installation Instructions

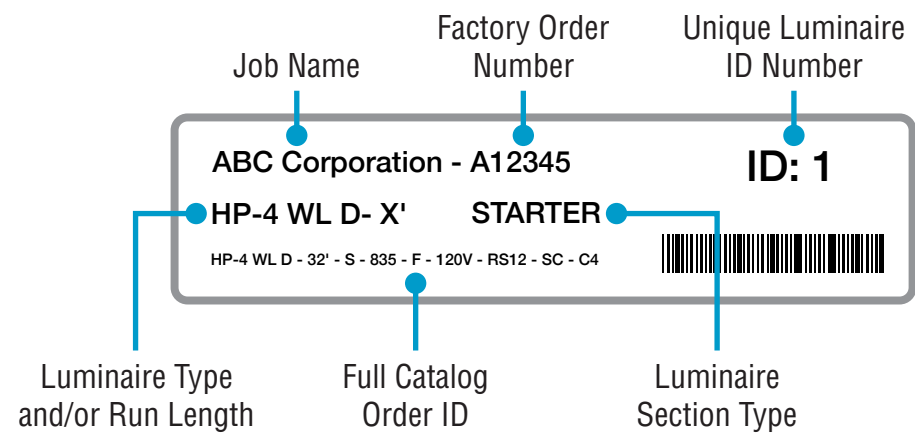
## Step 2 - Identification & Preparation

### A. Identify Luminaires



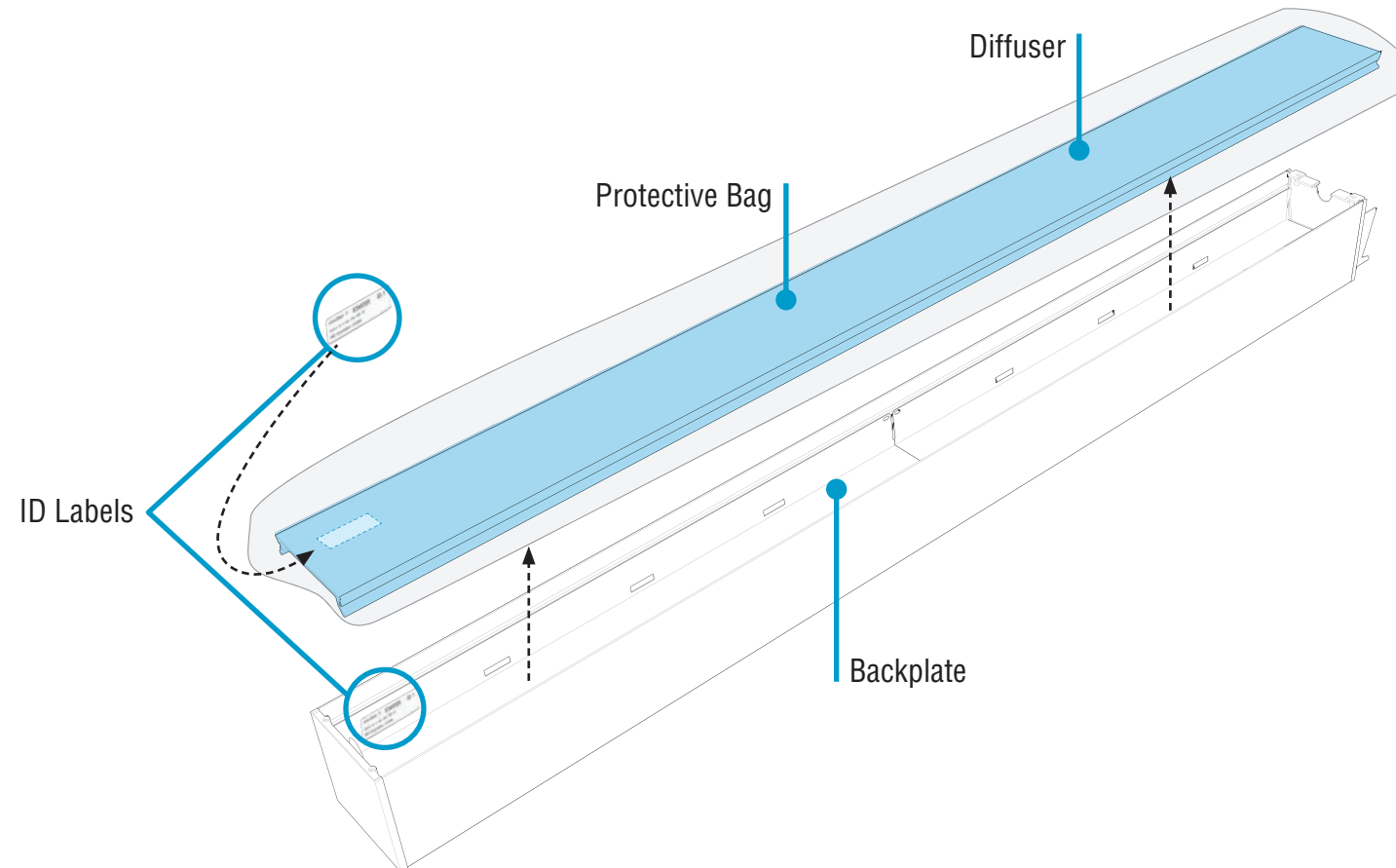
Arrange luminaires in order according to ID# at their install locations.

**CAUTION**



- Identify all luminaires by their ID label that can be found on the box, the diffuser, and inside the luminaire.
- NOTE:** Exact location of labels in these areas may vary.
- Remove all luminaires from their box.
- Refer to Record Drawings that can be found in the hardware kit.

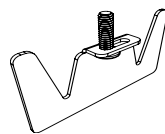
### C. Remove Diffusers Top-Down View



- Carefully remove all diffusers, keeping them inside their protective bags.
- Set aside all diffusers to prevent them from getting dirty or damaged.
- Ensure diffusers can be clearly identified back to their corresponding luminaire.

### Kitted Hardware

- Finelite has provided items listed here, with their Finelite part numbers. These items can be found in separate boxes shipped with the luminaire.
- Account for all parts and set aside until they are needed.
- All other hardware needed for this installation will be by others.

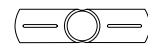


**Yoke Bracket**  
Part# 43659

**Washer**  
Part# 94111

**#10-32 x 5/8" Screw**  
Part# 94144  
Securing Luminaire Joints  
p. 8, Step 6

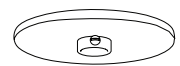
**Stem**  
Part# 43690  
Mounting Starter to Structure  
p. 5, Step 4  
Joining Luminaires  
p. 7, Step 5



**Cross bar**  
Part# 43699  
Mounting Starter to Structure  
p. 5, Step 4  
Joining Luminaires  
p. 7, Step 5



**Hex Key**  
Part# 94216  
Identification & Preparation  
p. 3, Step 2  
Closing Luminaires  
p. 9, Step 7



**Canopy**  
Part# 43697  
Mounting Starter to Structure  
p. 5, Step 4  
Joining Luminaires  
p. 7, Step 5



**Sealing O-Ring**  
Part# 43696  
Mounting Starter to Structure  
p. 5, Step 4  
Joining Luminaires  
p. 7, Step 5



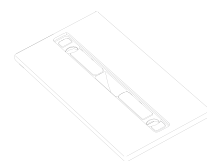
**Jam Nut**  
Part# 43695  
Mounting Starter to Structure  
p. 5, Step 4  
Joining Luminaires  
p. 7, Step 5



**Canopy Screw**  
#6-32 x 3/8" Screw - Part# 76404  
Closing Luminaires  
p. 9, Step 7



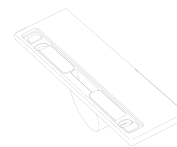
**Diffuser Screw**  
#6-32 x 3/8" Screw - Part# 76404  
Identification & Preparation  
p. 3, Step 2  
Closing Luminaires  
p. 9, Step 7



**Joint Diffuser Cover**  
Part# 43740  
Identification & Preparation  
p. 3, Step 2  
Closing Luminaires  
p. 9, Step 7



**Screw Cover**  
Part# 43637  
Identification & Preparation  
p. 3, Step 2  
Closing Luminaires  
p. 9, Step 7



**Endcap Diffuser Cover**  
Part# 43738  
Identification & Preparation  
p. 3, Step 2  
Closing Luminaires  
p. 9, Step 7



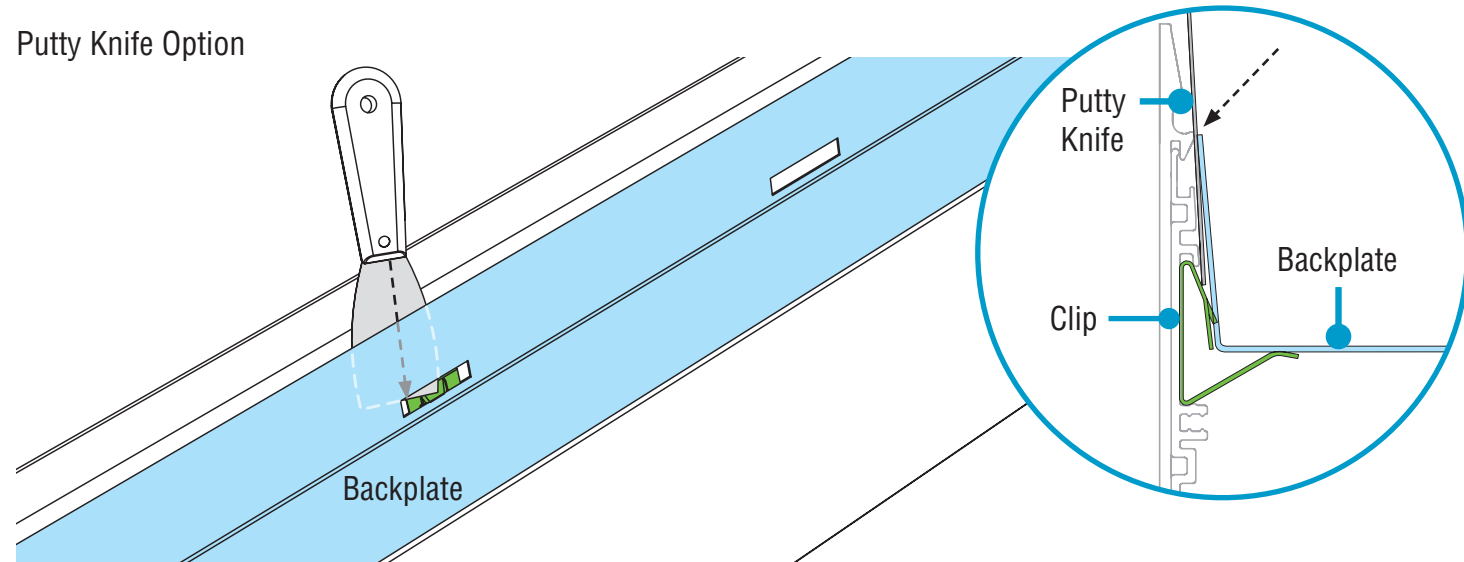
Effortless Access

# HP-4 Wet Location Direct Stem Installation Instructions

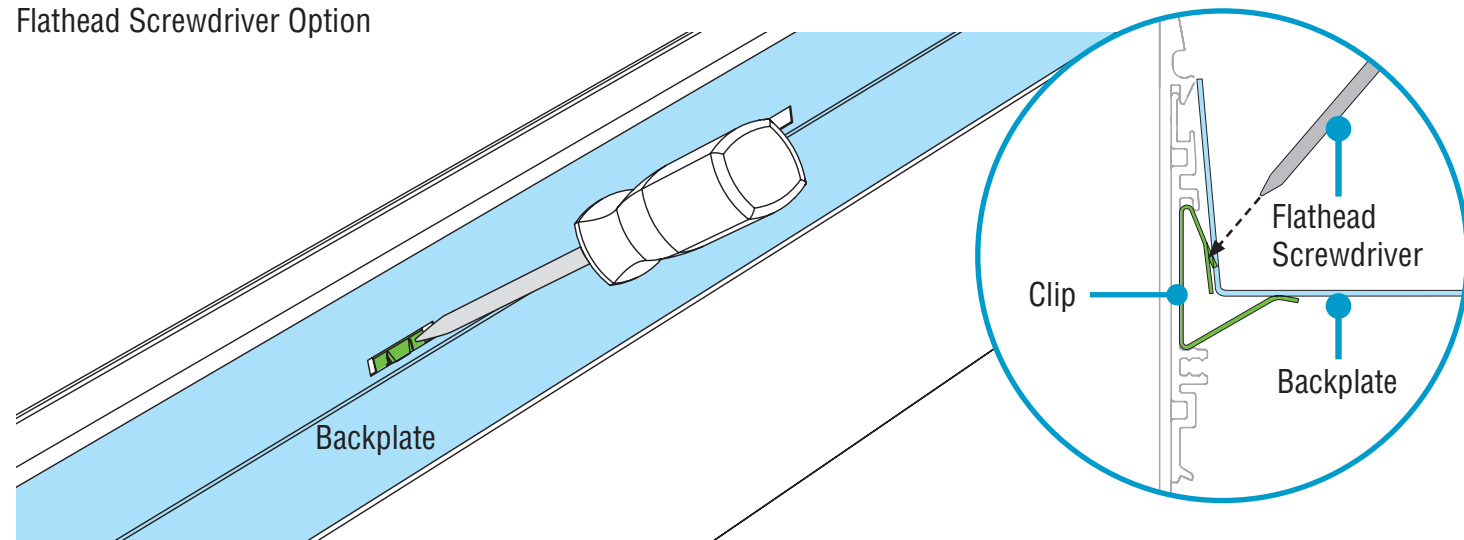
## Step 3 - Opening Luminaires

### Release Backplates Top-Down View

#### Putty Knife Option

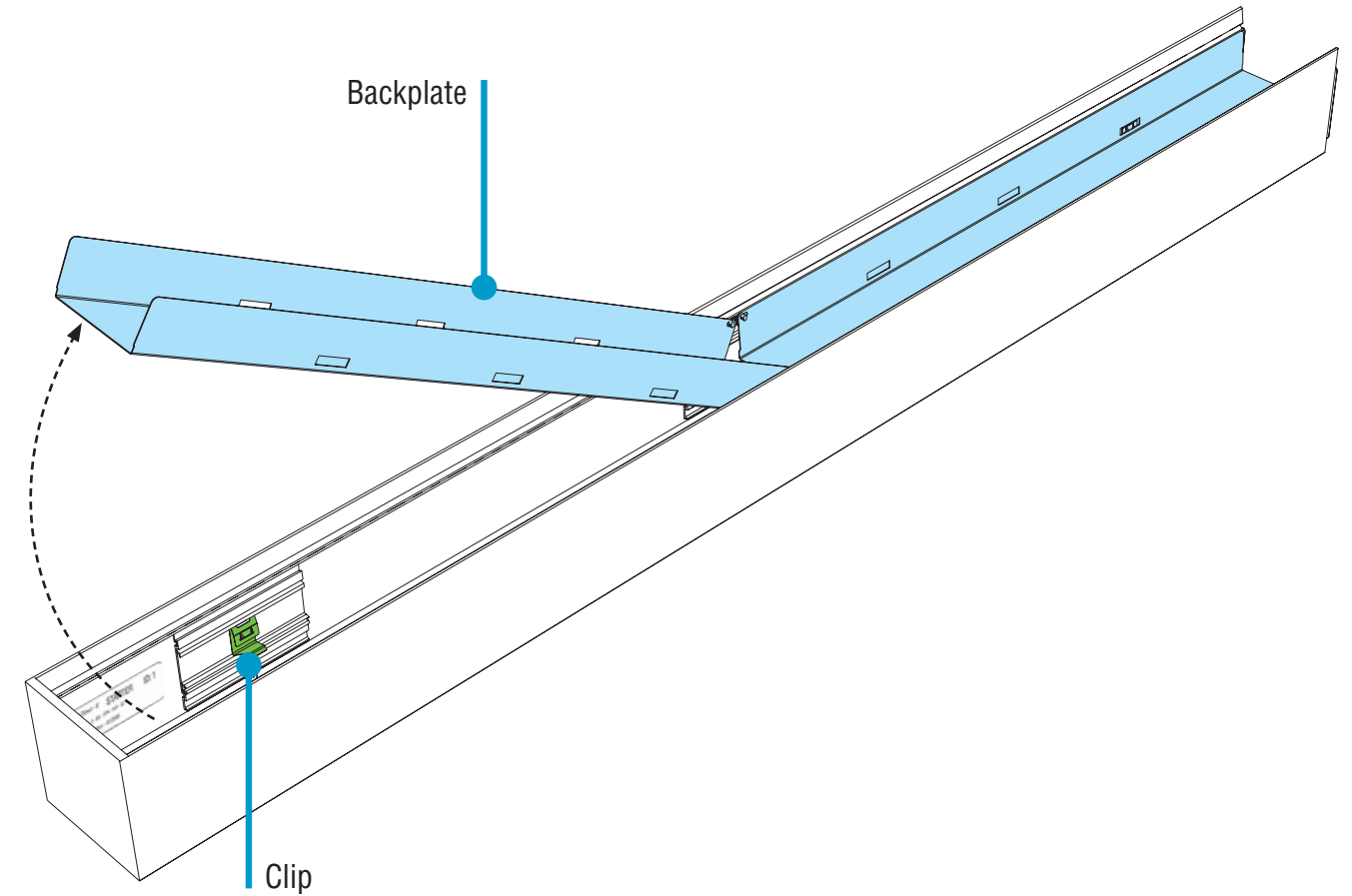


#### Flathead Screwdriver Option



- Open all backplates for access to mounting points.
- Release the backplates from clips by sliding the blade of a putty knife behind backplate edges.
- To use a flathead screwdriver: From inside backplate, press end of screwdriver against the clip until the backplate is released.

- Carefully rotate backplates out and let them hang from luminaire body.

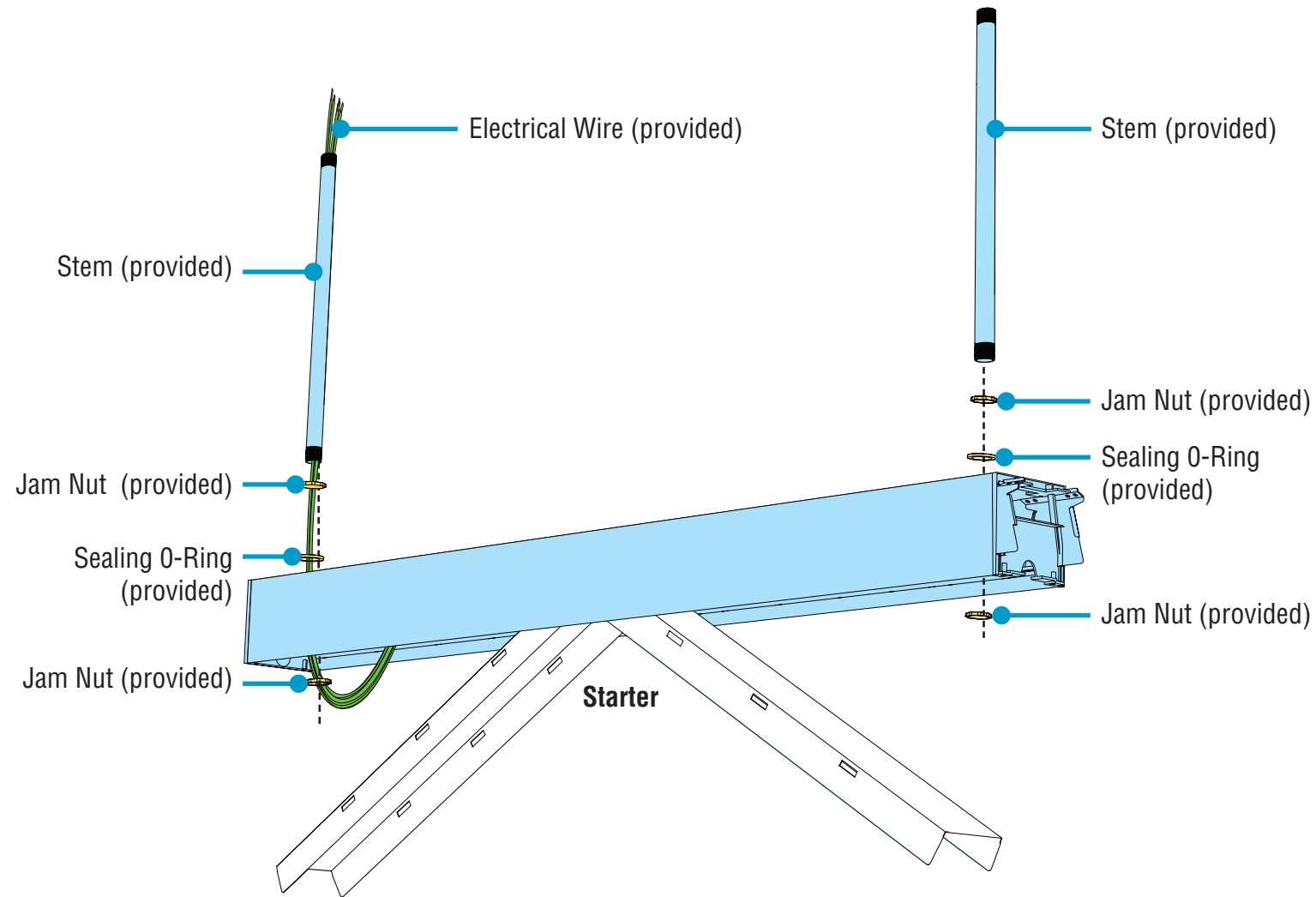


Effortless  
Access

# HP-4 Wet Location Direct Stem Installation Instructions

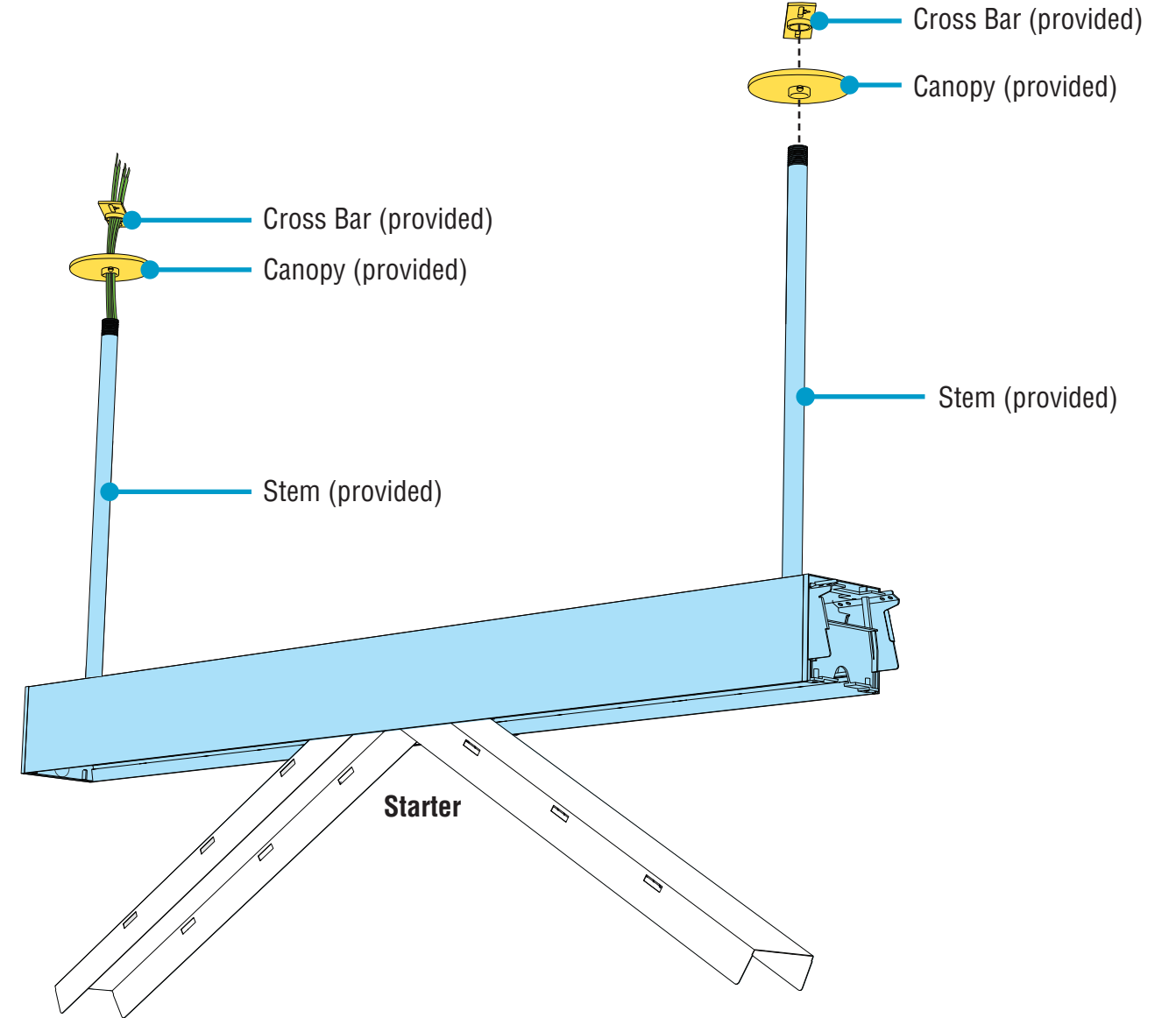
## Step 4 - Mounting Starter to Structure

### A. Assemble Stem Bottom-Up View



- Install sealing o-ring and jam nut onto stem.
- Feed electrical wire through jam nut and stem before securing the stem onto the luminaire by tighten the jam nut.

### B. Assemble Canopy & Cross Bar Bottom-Up View



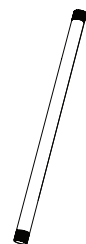
- Slide the canopy onto the stem.
- Install the cross bar to the stem.



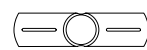
Jam Nut  
(provided)



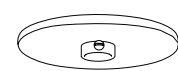
Sealing O-Ring  
(provided)



Stem  
(provided)



Cross Bar  
(provided)



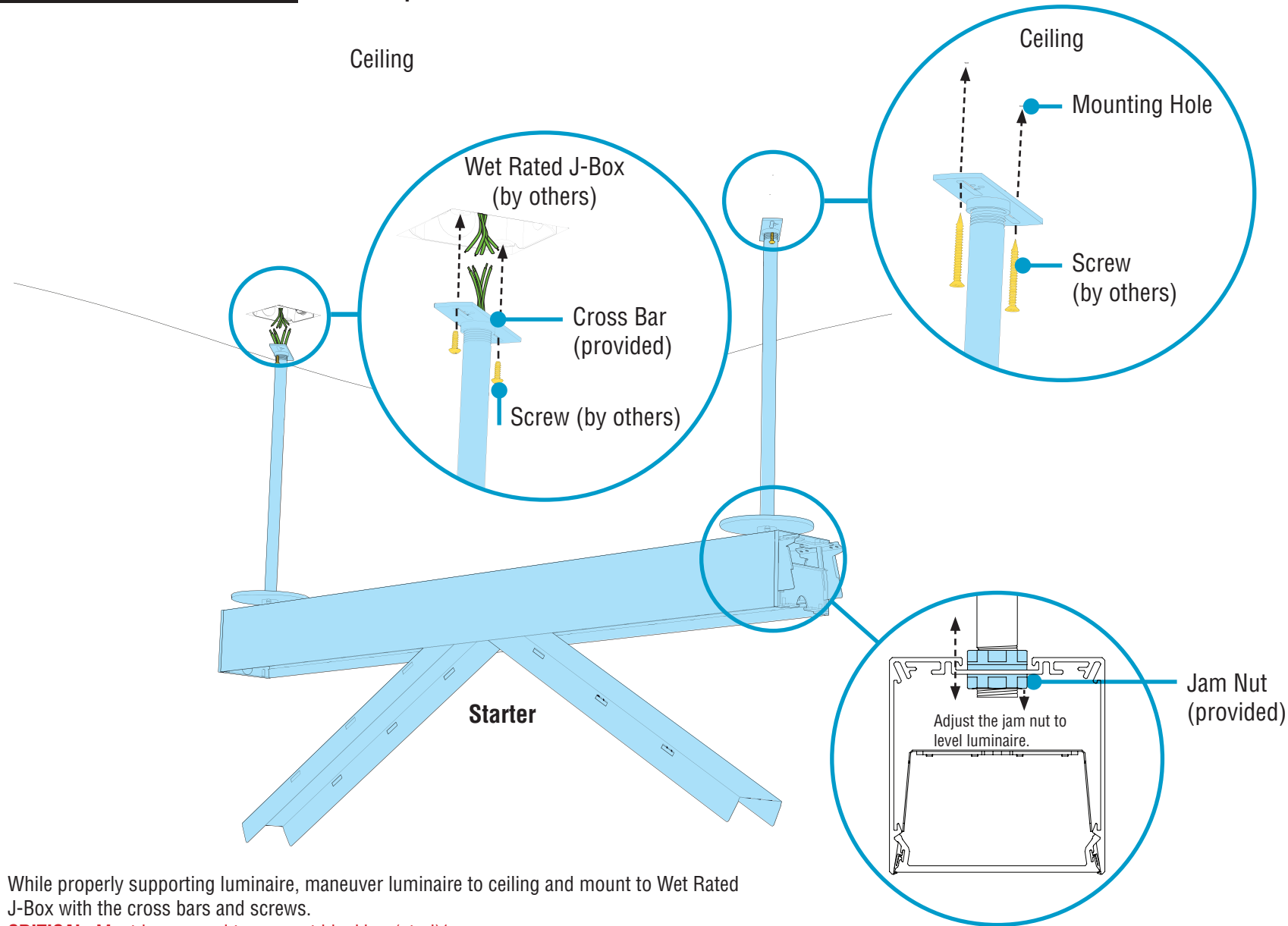
Canopy  
(provided)

CONTINUED

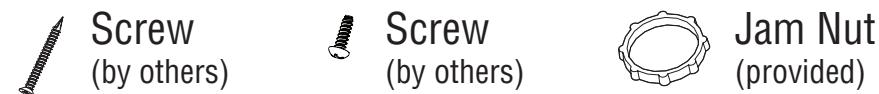
# HP-4 Wet Location Direct Stem Installation Instructions

## Step 4 - Mounting Starter to Structure

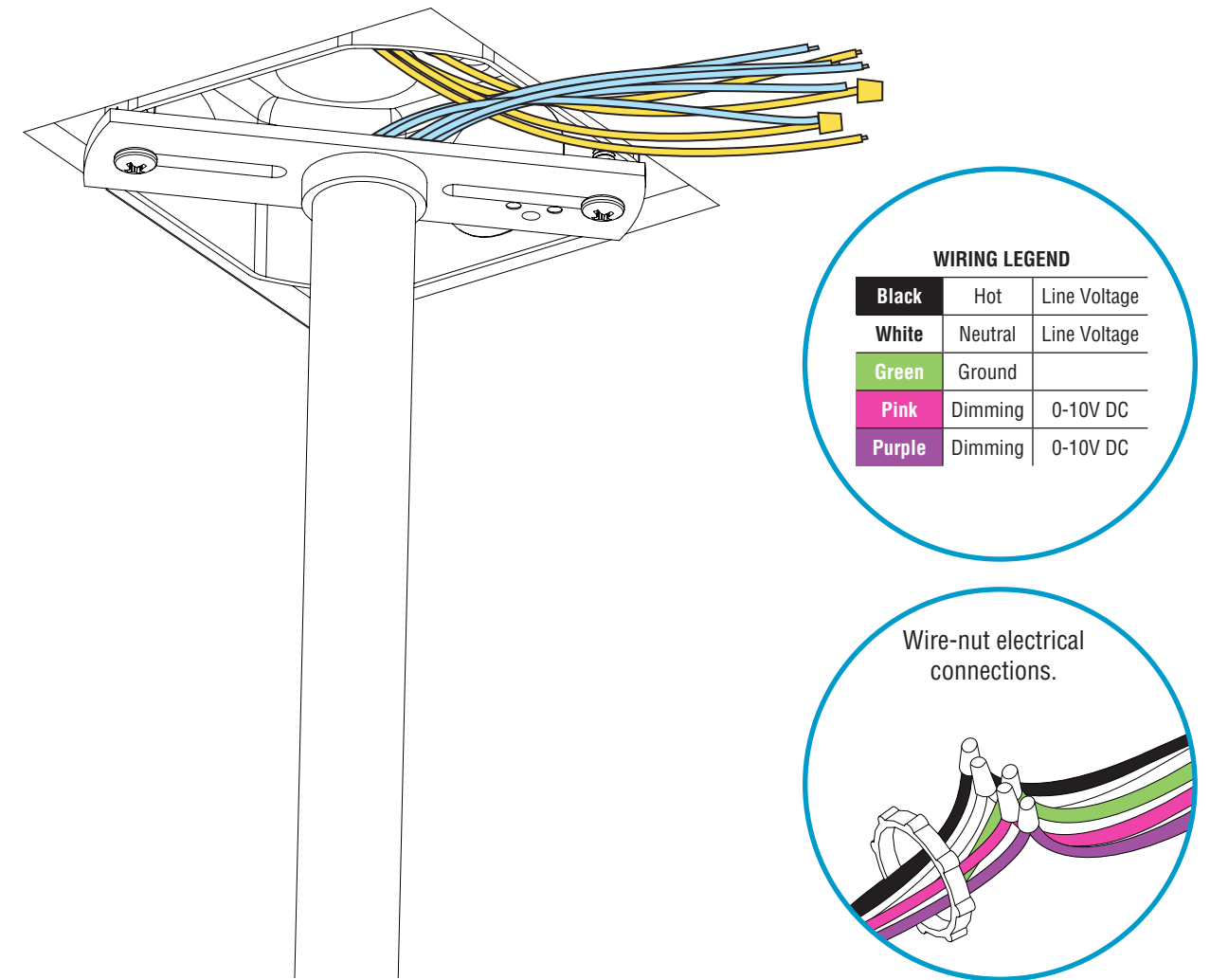
### C. Mount Starter to Structure Bottom-Up View



- While properly supporting luminaire, maneuver luminaire to ceiling and mount to Wet Rated J-Box with the cross bars and screws.
- **CRITICAL:** Must be secured to support blocking (stud)<sup>1</sup>.
- **CRITICAL:** If installing a joiner luminaire in the next step, level and tighten starter by adjusting jam nut on the bottom stems.
- If there is no joiner/ender, then tighten the screws fully.



### D. Make Electrical Connections Bottom-Up View



- Make electrical connections.

<sup>1</sup> Support blocking = Wooden beams/studs, sheet metal framing beams, steel beams, concrete beams, etc. Use hardware appropriate to the blocking material.



0-10V  
Dimming

# HP-4 Wet Location Direct Stem Installation Instructions

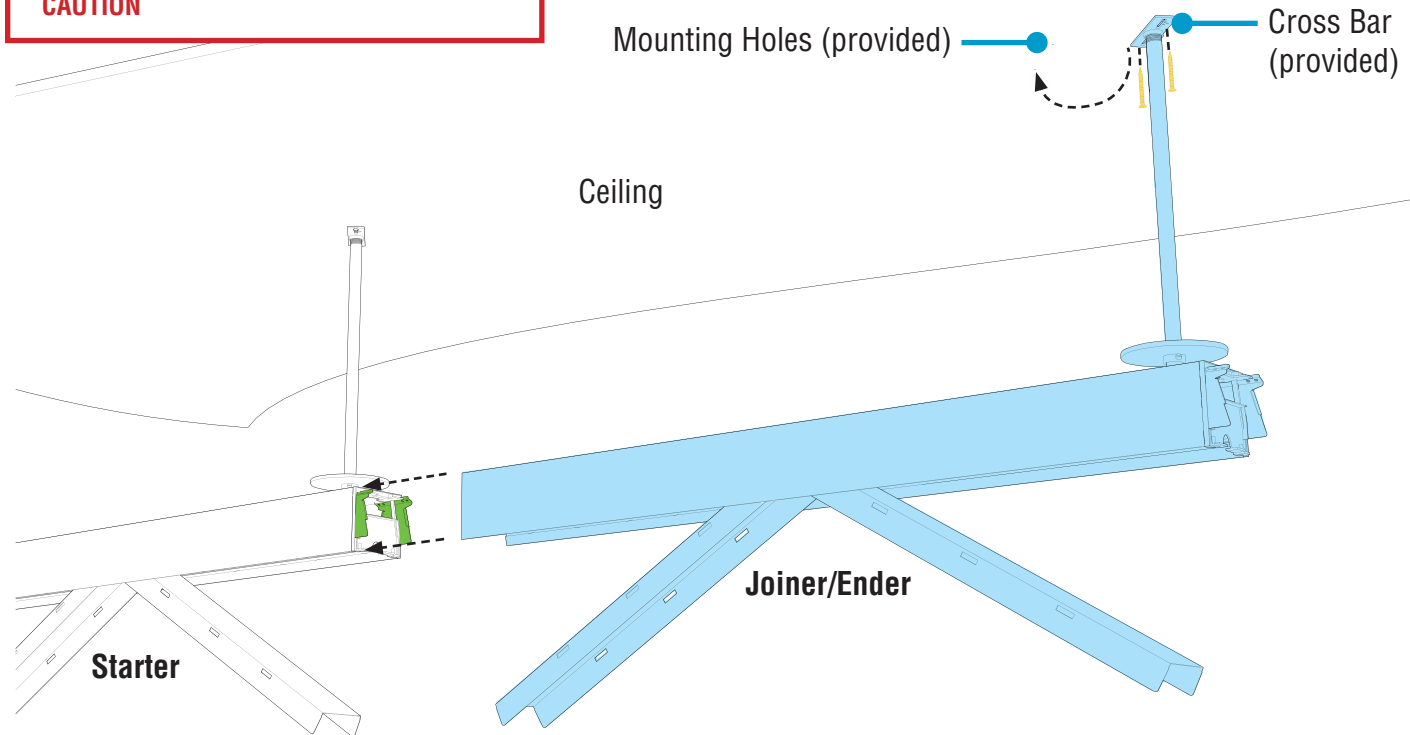
## Step 5 - Joining Luminaires

### A. Mount Joiner/Ender to Structure Bottom-Up View



**CAUTION**

**DO NOT** attempt to join luminaires together on the floor. Damage may result when lifted. Follow these instructions.



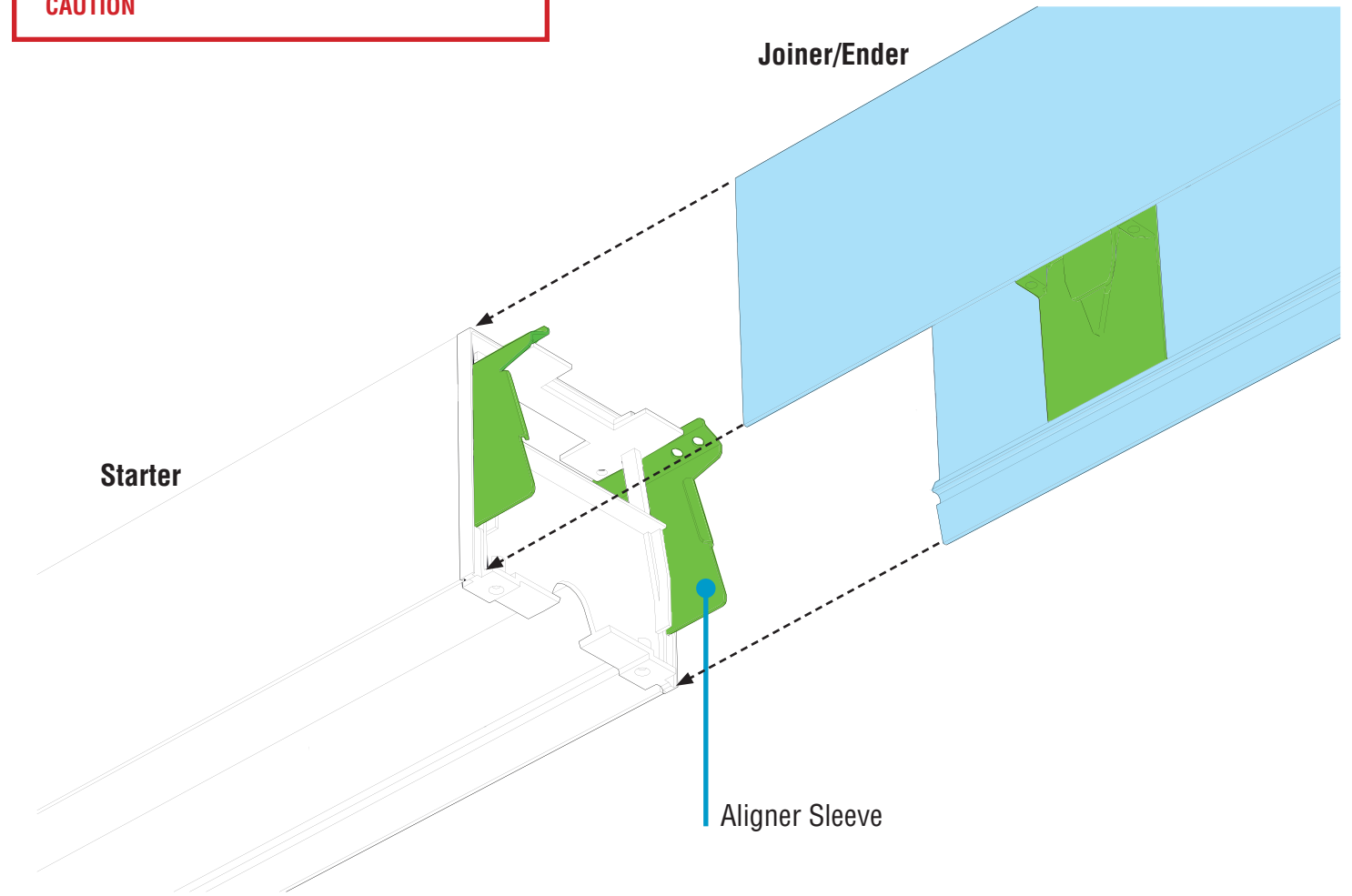
- While properly supporting luminaire, maneuver joiner/ender luminaire to ceiling.
- Align joiner/ender with aligner sleeves on starter before mounting the cross bar to ceiling.
- Level the luminaires at the far end of the joiner/ender by adjusting the jam nut.

### B. Join Luminaires Bottom-Up View

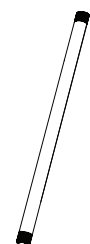


**CAUTION**

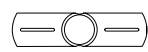
Once luminaires are aligned together, **joiner luminaire is not yet secure.** Ensure it does not slide off as it rests on the starter luminaire.



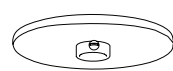
- Align joiner/ender with aligner sleeves on starter and slide together. Be careful not to damage any wiring.



Stem  
(provided)



Cross Bar  
(provided)



Canopy  
(provided)



Screw  
(by others)

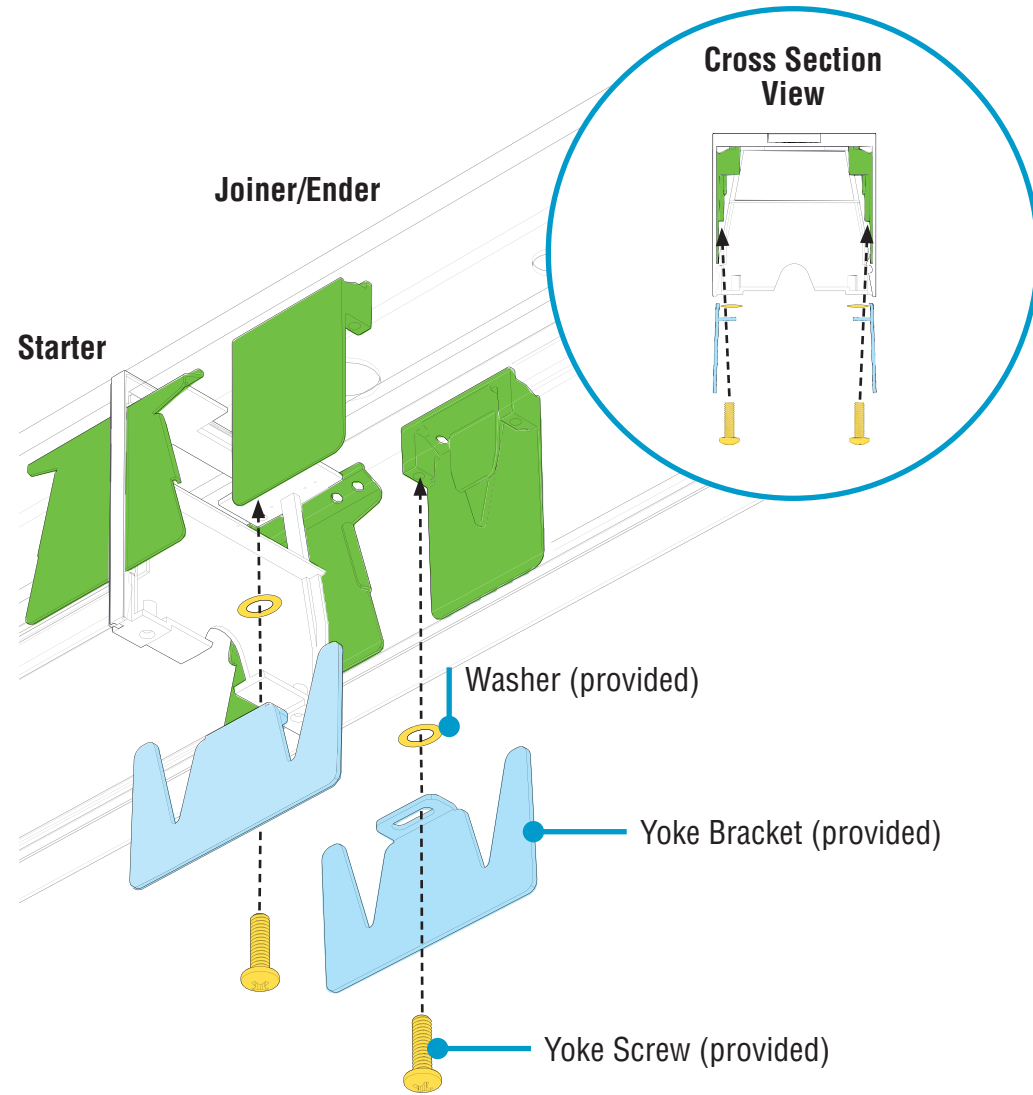


Universal &  
Robust Joints

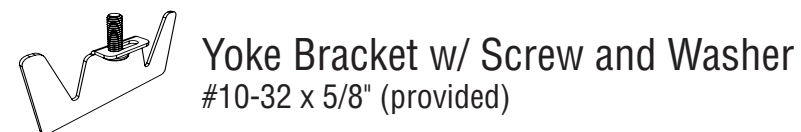
# HP-4 Wet Location Direct Stem Installation Instructions

## Step 6 - Securing Luminaire Joints

### A. Secure Joint with Yoke Brackets Bottom-Up View

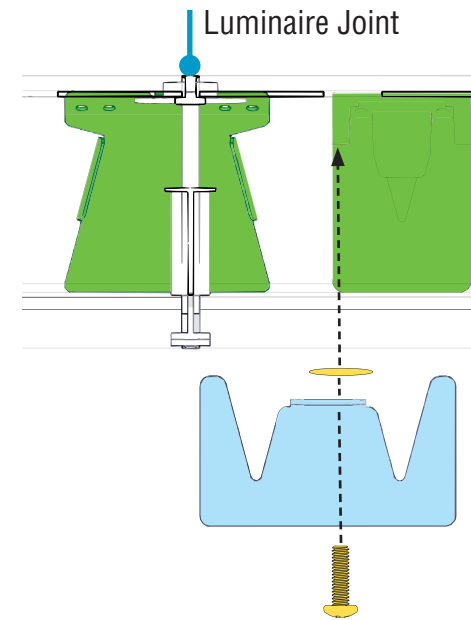


- Before installing yoke brackets, ensure the joining ends of luminaires meet flush and square.
- **CRITICAL:** Ensure yoke brackets properly engage with aligner sleeves.
- Secure joint by threading (but not yet tightening) yoke screws through yoke brackets and washers and into the aligner sleeves.
- Tighten yoke screws<sup>1</sup> until joint seam of luminaires is closed.

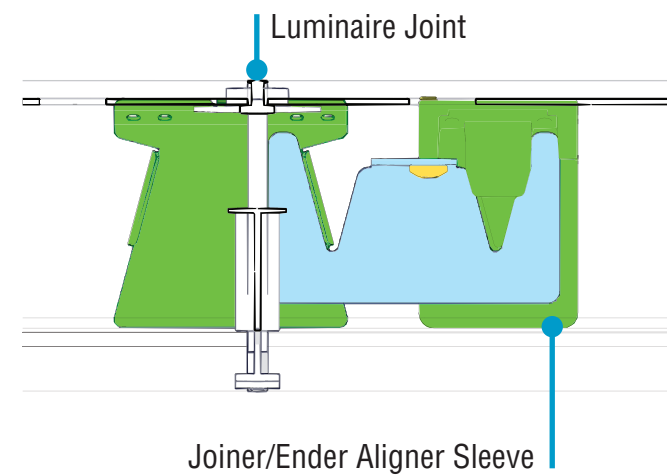


<sup>1</sup> Screwdriver with 6" bit required.

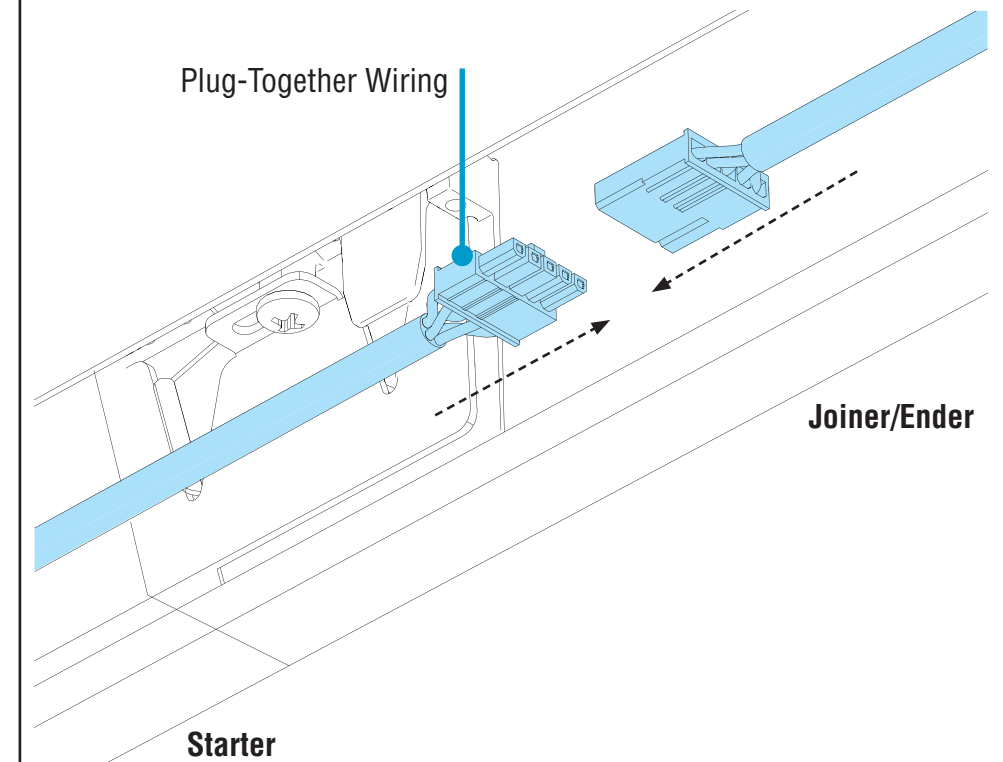
### IN ALIGNMENT



### CORRECTLY INSTALLED



### B. Make Electrical Connections Bottom-Up View



- Connect plug-together wiring.



Universal &  
Robust Joints



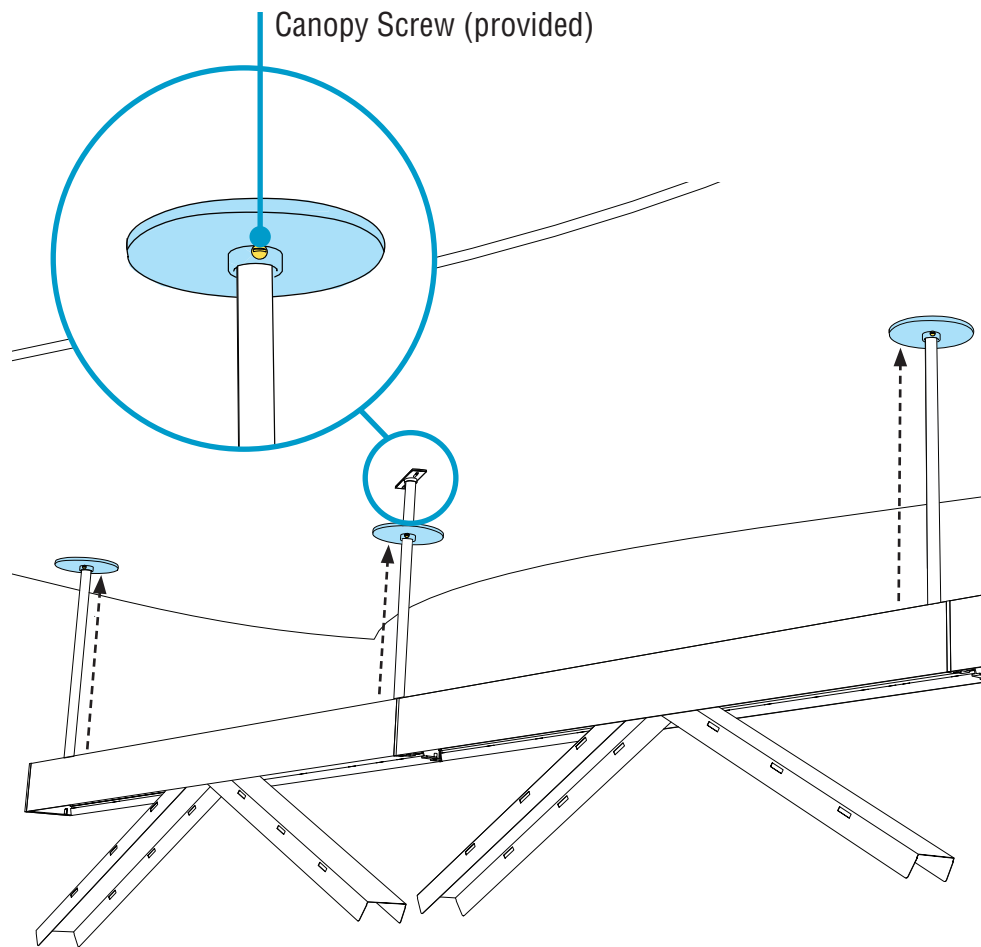
Simple  
Plug-Together  
Wiring



# HP-4 Wet Location Direct Stem Installation Instructions

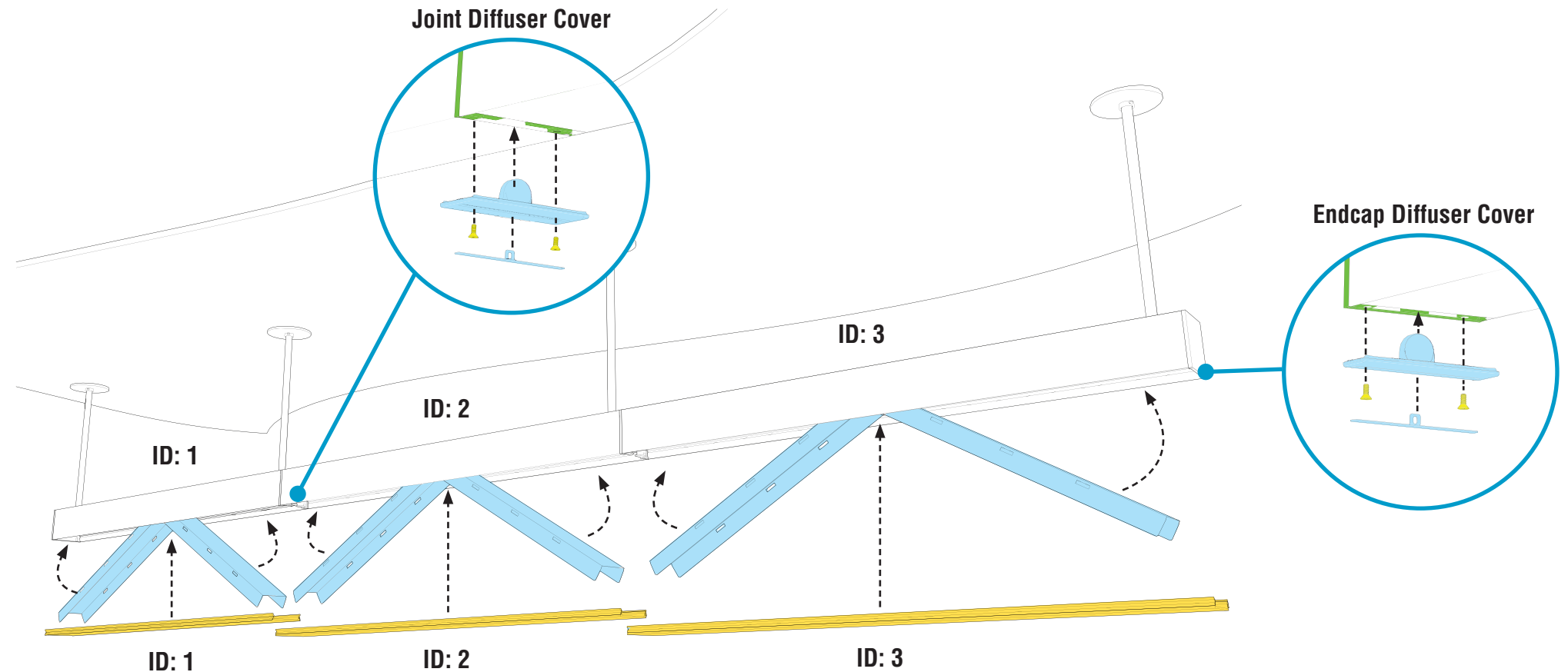
## Step 7 - Closing Luminaires

### A. Install Canopies Bottom-Up View



- Slide the canopy up to the stem and tighten the canopy screws.

### B. Final Step - Replace Backplates, Diffusers & Diffuser Covers Bottom-Up View



- **NOTE:** If your installation includes a battery backup, please see addendum (98333) that should be included with your kitting package.
- Reinstall any open backplates by rotating into luminaire body and snapping back into clips.
- Remove diffusers from protective plastic bag.
- **CAUTION:** Wear gloves to keep diffuser surface clean, take care to wipe off any water or condensation on diffusers before installing into luminaire.
- **CRITICAL:** Be sure to install correct diffuser to its corresponding luminaire ID.
- Install diffusers into luminaire body, ensuring they snap into place.
- Reinstall all endcap and joint diffuser covers.
- Turn power on to luminaire.

