



HP-2 WS Perimeter Slot

Declare.



Features

Tailored Output

Optimizing lighting levels to accommodate architectural design elements and code requirements.

Static White Output Options:

- Standard (S)
- Boosted Standard (B)
- High (H)
- Very High (V)

Tailored Static White Output Options:

- Specify lm/ft of outputs between Standard (S) and Very High (V)

0-10V Tunable White Output Options:

- Standard (S)
- Boosted Standard (B)
- High (H)
- Very High (V)

Features

Tailored Control

Dim and tune the lighting to fit user preference.

- Dimming from 100% to 10%, standard; 1% available
- Industry-leading pre-qualified drivers and controls options available
- Simplified white light color tuning design

Features

Tailored Color

Tune white light and intensity to the preferences of the people in the space.



- Static White light options at 3000K, 3500K and 4000K CCT
- Tunable White option for two-source tunable white light between 2700K and 6500K CCT
- 80+ and 90+ CRI options available

Features

Tailored Lengths

Enhance architectural interiors with perfectly sized luminaires.

Tailored Runs: Minimum 2' section length. Increments accurate to 1/16" ($\pm 1/32$), standard. 12' maximum section length.

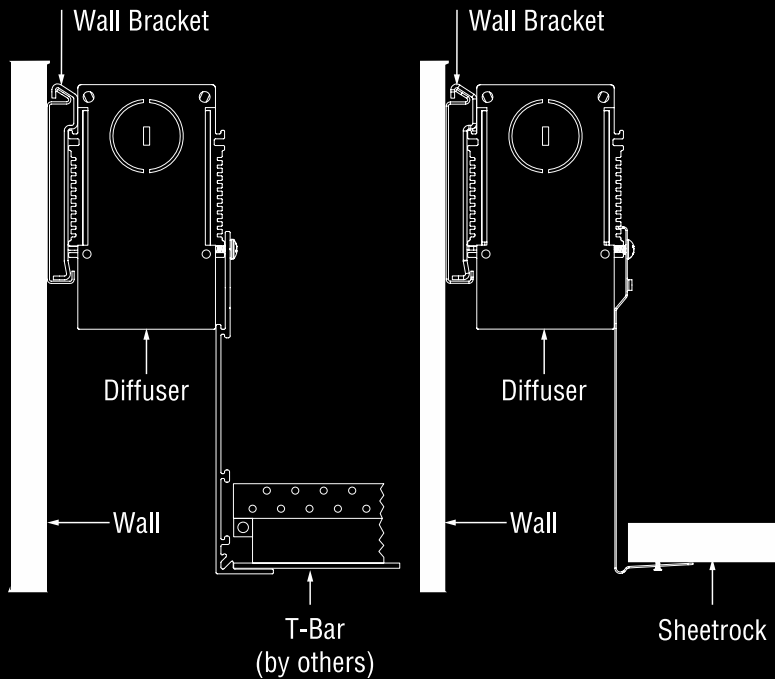
OR

TXL Runs: Optional TXL adds 1" to run length and up to an additional 11" of fully illuminated adjustability. Minimum length with TXL: 4'-1" with Std. Osram drivers or 5'-1" with all other drivers.

Installation

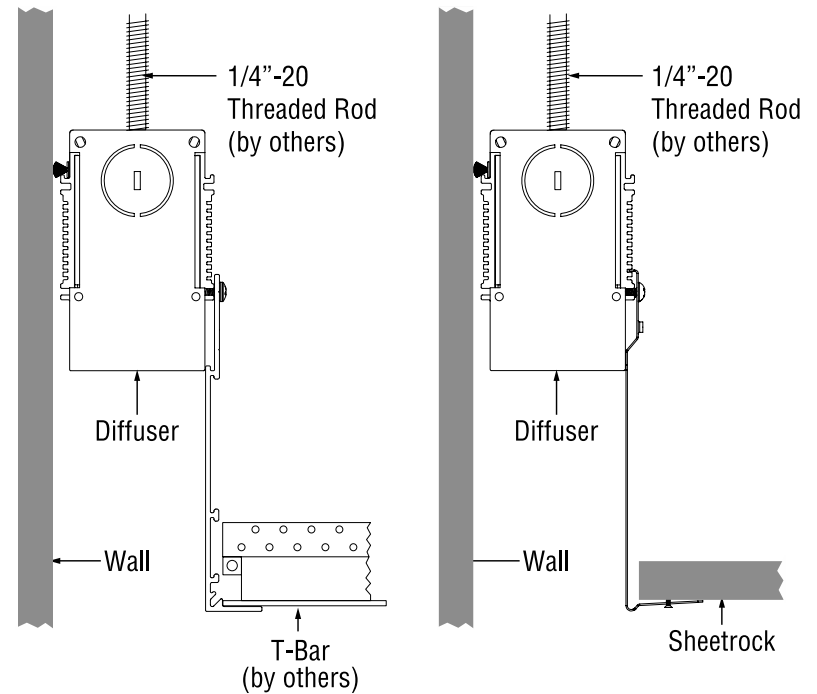
Pre-Ceiling Installation

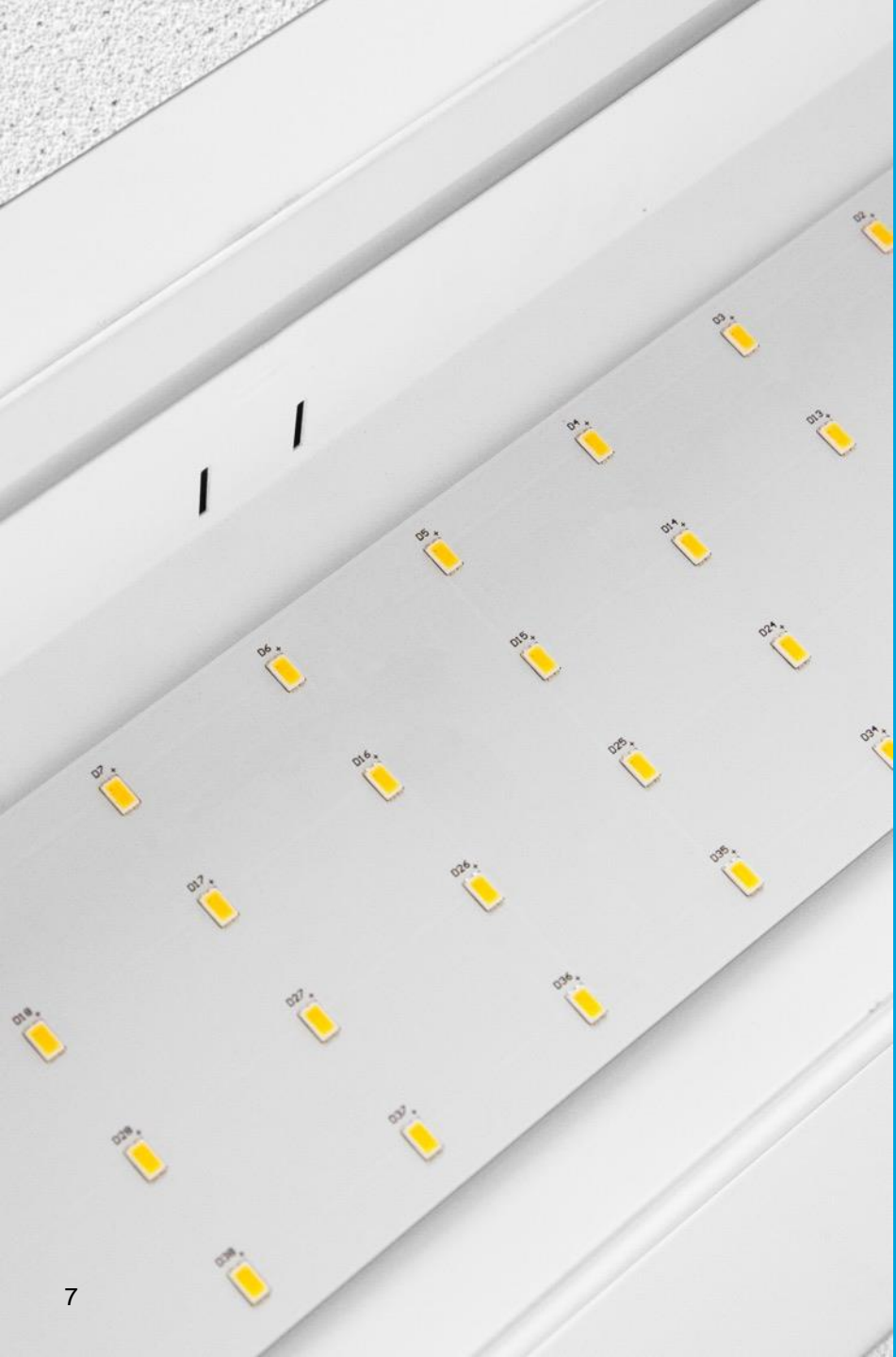
Have the time, order with wall brackets for Pre-Ceiling Installation



Post-Ceiling Installation

Running short on time, order with Threaded Rod for Post-Ceiling Installation





Light Years Ahead

Finelite has formulated LED illumination that delivers 90% of initial light output (L90) at 100,000+ hours and 70% of initial light output (L70) at 183,000+ hours.

Declare 2.0

These products are enrolled in the International Living Future Institute (ILFI) Declare 2.0 Program and are third-party verified.

Declare. 

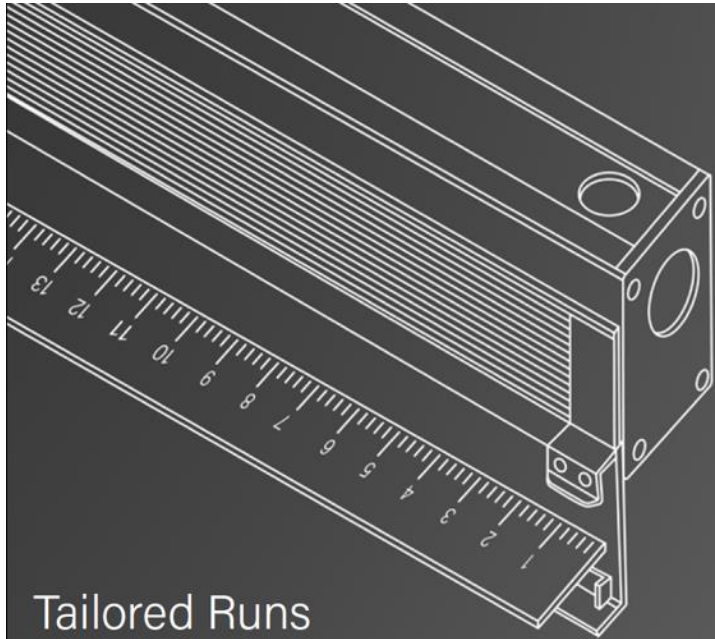


FINELITE[®]
Better Lighting

HP-2 WS

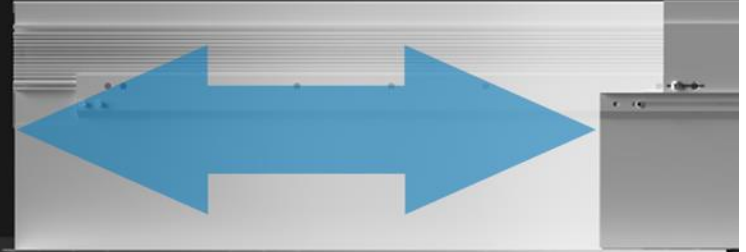
Perimeter Slot

HP-2 WS Perimeter Slot features tailored lengths, adjustable illuminated telescoping, fully illuminated and factory built 90° corners, plus an all-in-one box shipping method to streamline installation. The narrow 2” aperture creates a crisp ribbon of light at the transition between wall and ceiling for a highly desirable aesthetic.



Tailored Runs

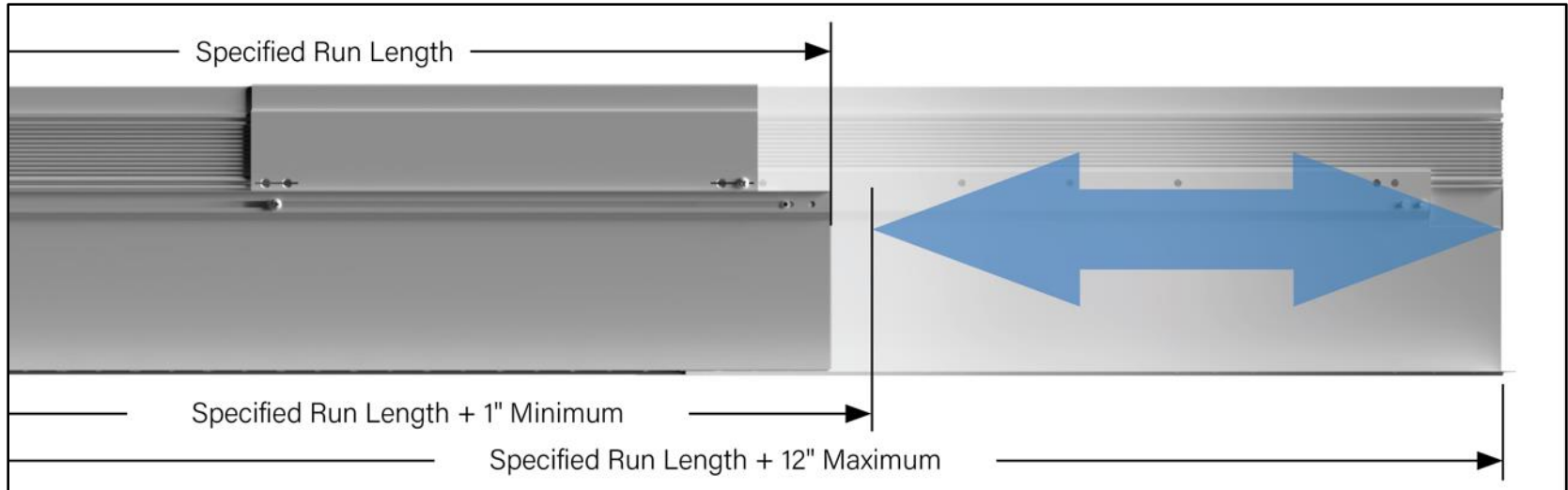
OR



Telescoping Runs

Tailored or Telescoping Runs

Provide exact wall dimensions and we will deliver precisely down to 1/16" with a maximum 12' section length **OR** optional adjustable telescoping (TXL) sections adaptable to on-site dimension.

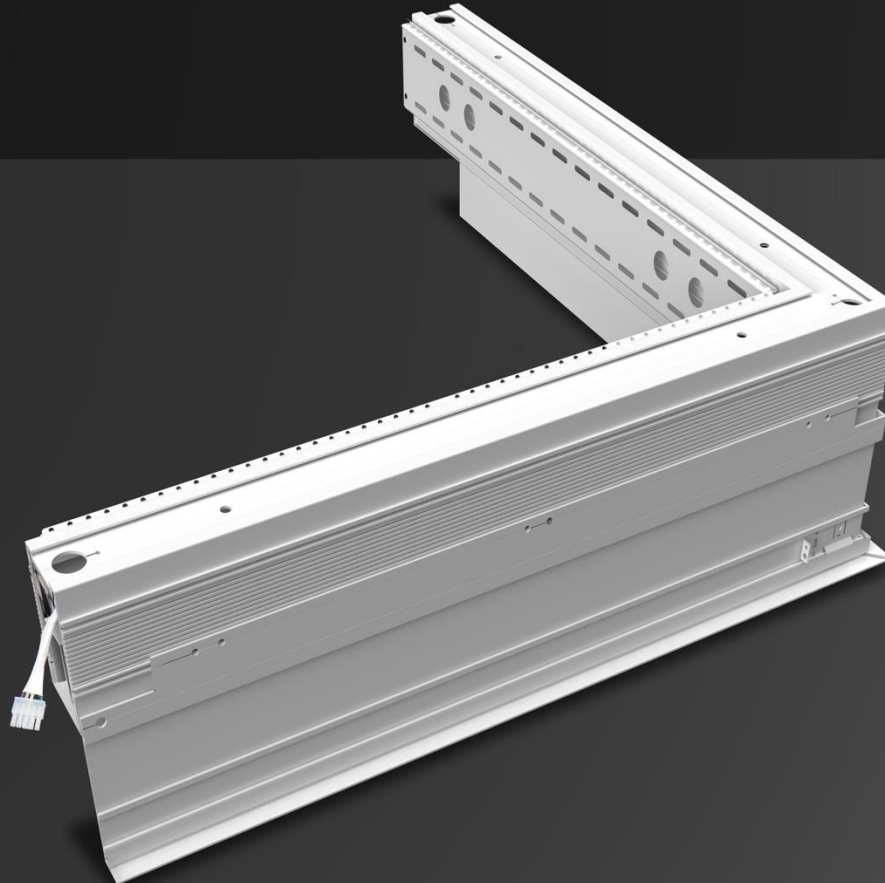


Telescoping (TXL-L, TXL-M, or TXL-R)

The telescoping (TXL) feature provides on-site flexibility with up to 11" of adjustability. Max single section length with TXL adjustable from 11'-1" to 12'-0". Offered with flat endcap (standard) or pocketslot endcap.

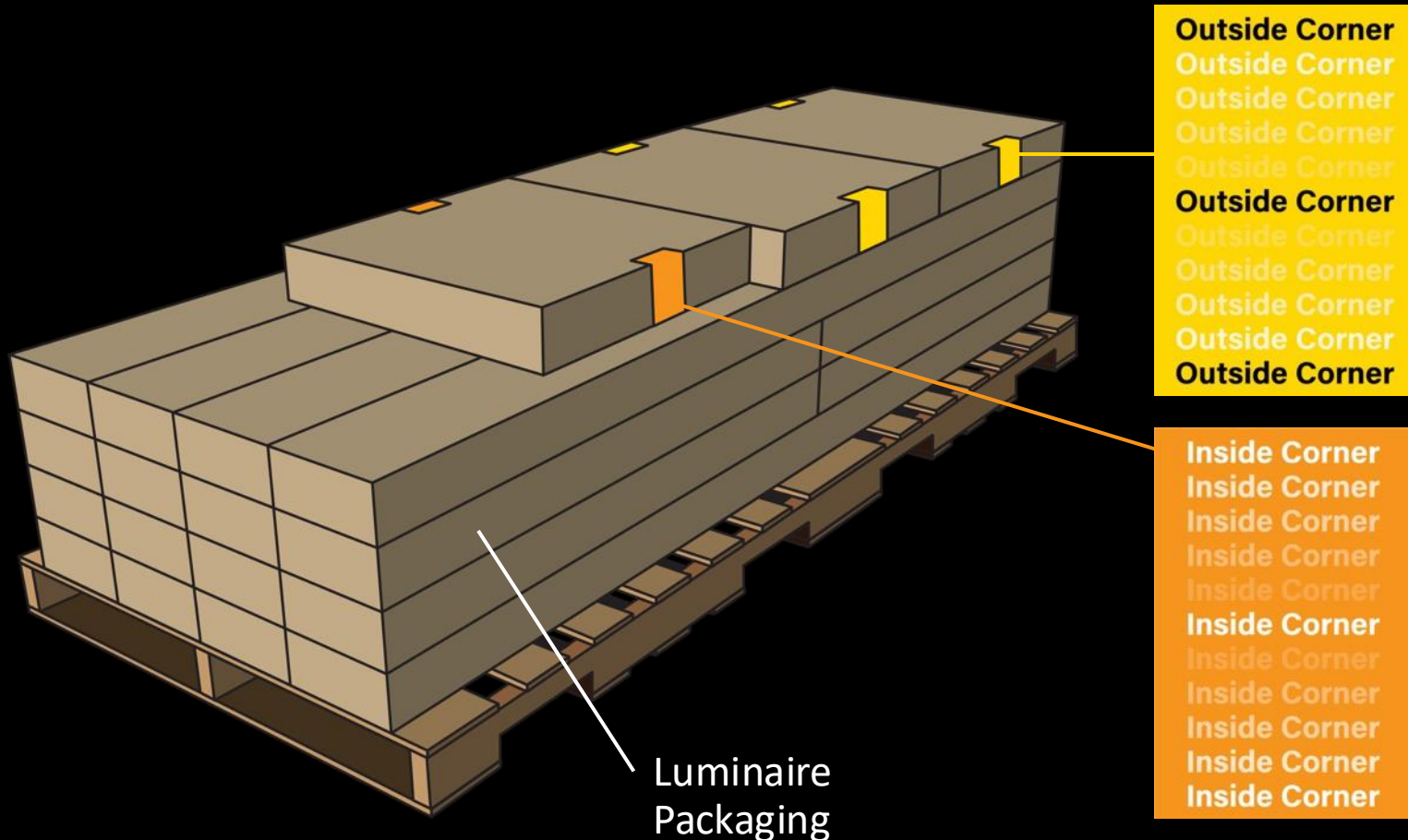
Pre-Built 90° Corners

Pre-built inside and outside 90° corners provide fully illuminated corners. Mitered joints are pre-assembled in the factory for easy installation in the field.



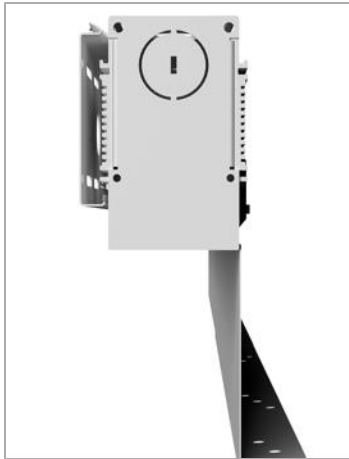
Optimized All-In-One Packaging

Eliminates time spent searching for loose parts and hardware



HP-2 WS Endcap Options

Standard Flat
(FE-L or FE-R)



Pocket Slot
(FE-L or FE-R)

Spackle Flange

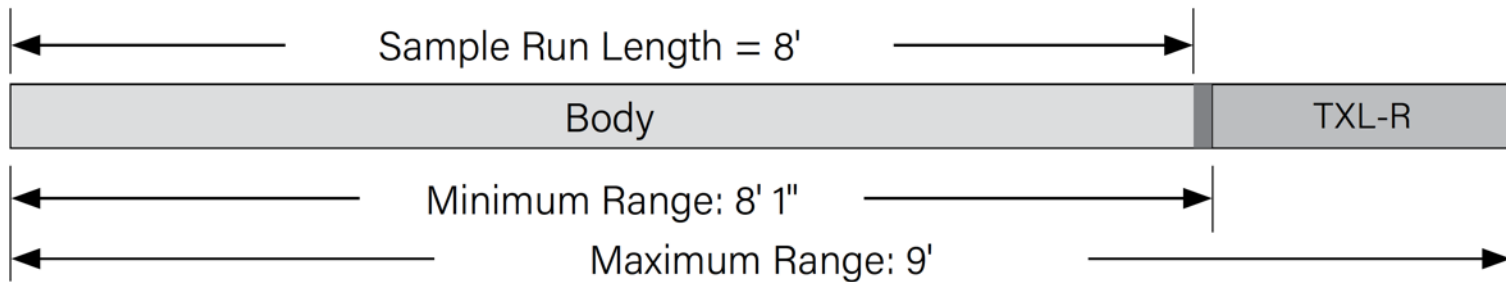


T-Bar



HP-2 WS Lengths

One telescoping (TXL) provides on-site flexibility with up to 11" of adjustability. and can be specified on either end of a run. Telescope adds a minimum of 1" and maximum of 12" to the run length provided. Offered with flat endcap (standard) or pocket slot endcap.



Ordering Sample: HP-2 WS-4D-8'-B-835-96LG-277-SC-FC-10%-WB-C1-FE-L-TXL-R-SW

For configurations provide nominal total length. Actual length calculated by factory. Please provide drawings to clearly illustrate corners and wall dimensions

Endcaps Information

The **Flat Endcap** adds 1/8" per endcap to the section length.

The **Pocket Slot Endcap** adds 1-1/4" for Spackle Flange and 1" for T-Bar per endcap to the section length.

Example: Overall Luminaire Length = Luminaire Section + Endcap + Endcap
 $11' - 3 - 1/2'' = 11' - 3 - 1/4'' + 1/8'' + 1/8''$

HP-2 WS Performance

Recessed Photometry– 4' Luminaire

Very High Output – 120V

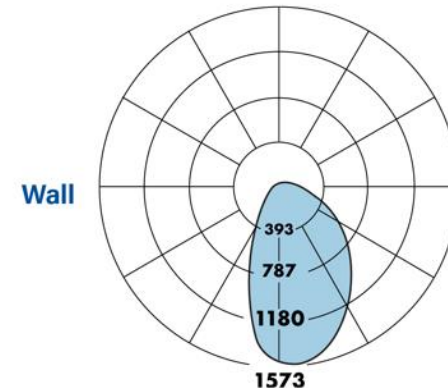
Efficacy: 90 lumens per watt

Total Luminaire Output: 3184 lumens (796 lumens/foot)

35.4 watts (8.9 watts/foot)

CCT: 3500K

ITL LM79 Report: 94264



Total Light Output, 3500K, 80 CRI (Lumens) - 4' Luminaire			
S*	B*	H*	V**
1303	1639	2476	3184

Power, 3500K, 80 CRI (Watts Per Foot)			
S*	B*	H*	V**
3.5	4.4	6.8	8.9

Light Output, 3500K, 80 CRI (Lumens Per Foot)			
S*	B*	H*	V**
326	410	619	796

Efficacy, 3500K, 80 CRI (Lumens Per Watt)			
S*	B*	H*	V**
94	93	91	90

S – Standard Output, B – Boosted Standard Output, H – High Output, V – Very High Output

* Family Correlation based on 4' luminaire 3500K Very High Output (V) test – 120V

** Correlation based on ITL LM79 Report: 94264

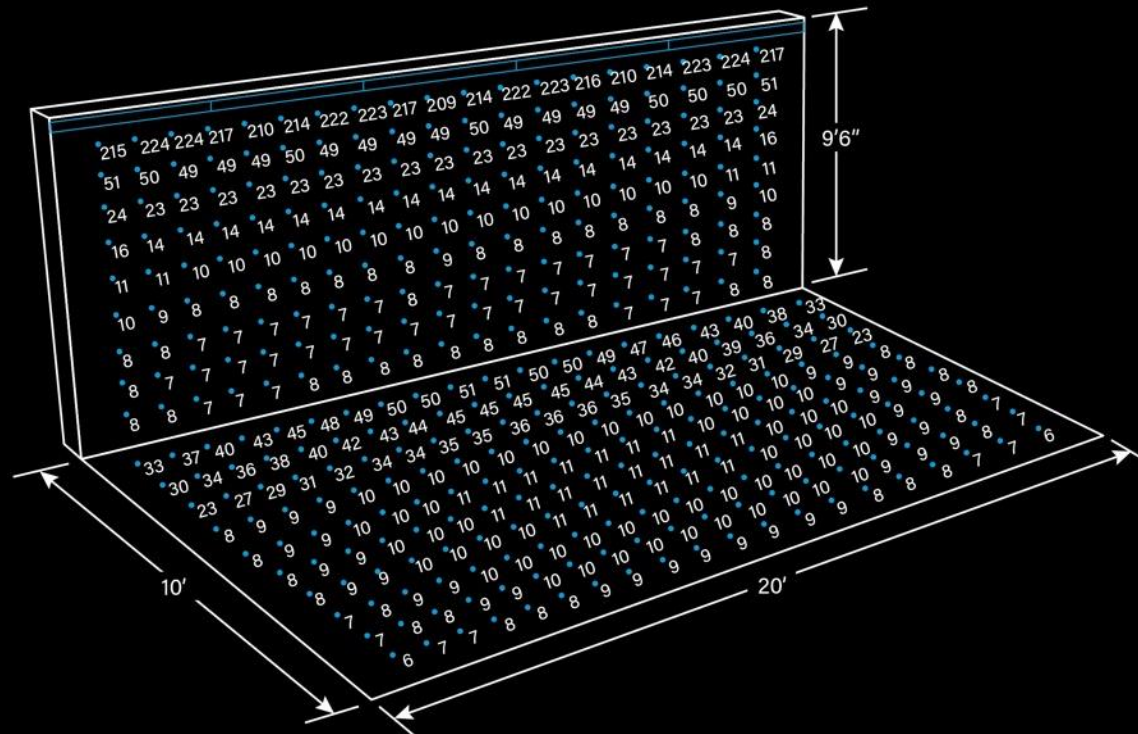
Notes

- For Tunable White data please see Tunable White technical sheets.
- Refer to LM-79 reports for other configurations.

HP-2 WS Applications

	HP-2 WS-4D-4ft-V-835 20" Continuous Row	
	Wall	Floor
Average Light Level (Footcandles)	38 fc	18 fc
Average to Minimum	5:1	3:1

- Luminaire at 9'-6" AFF to bottom of luminaire
- Luminaire recessed into slot
- Room reflectance: 80/50/20
- Light levels are initial





HP-2 WS

The Finelite Difference



10-Year performance-based warranty



10-working-day shipping on standard orders



Tailored Lighting available



Buy American Act Compliance