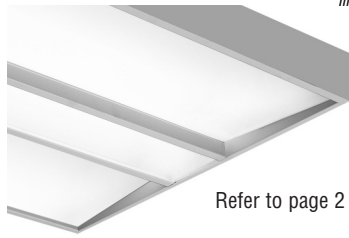




A brand of **legrand**
Indigo-Clean is a registered trademark of Kenall Manufacturing Co., a Legrand Company



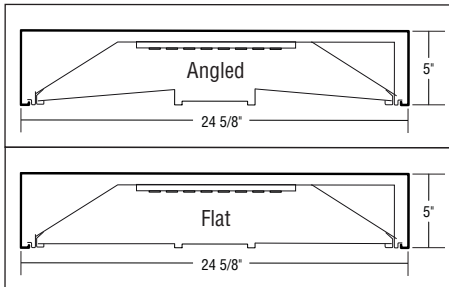
Refer to page 2 for all door styles

DESCRIPTION

Indigo-Clean Technology is a Continuous Environmental Disinfection System that emits a narrow spectrum light that kills bacteria, Influenza-A³, and SARS-CoV-2 – the virus that causes COVID-19³ – and is proven effective by recently conducted independent lab testing. Unlike UV disinfection, Indigo-Clean Technology is designed to safely and continuously disinfect a space while it is fully occupied.

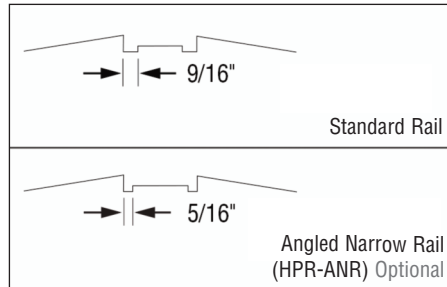
Single-Mode Indigo-Clean Technology utilizes a combination of blended white LEDs and 405nm LEDs on a single circuit board design. When the luminaires are on, the disinfection is active.

This product is enrolled in the International Living Future Institute (ILFI) Declare 2.0 Program and is third-party verified with options achieving **Red List Approved** and **Declared** status.



Shown with Surface Mount kit

DIMENSIONS



ANGLED NARROW RAIL OPTION

Available in angled door style with the same center optic choices. The optional narrow rails are approximately 5/16" wide. The standard center rails are approximately 9/16" wide.

Date

Project

Type

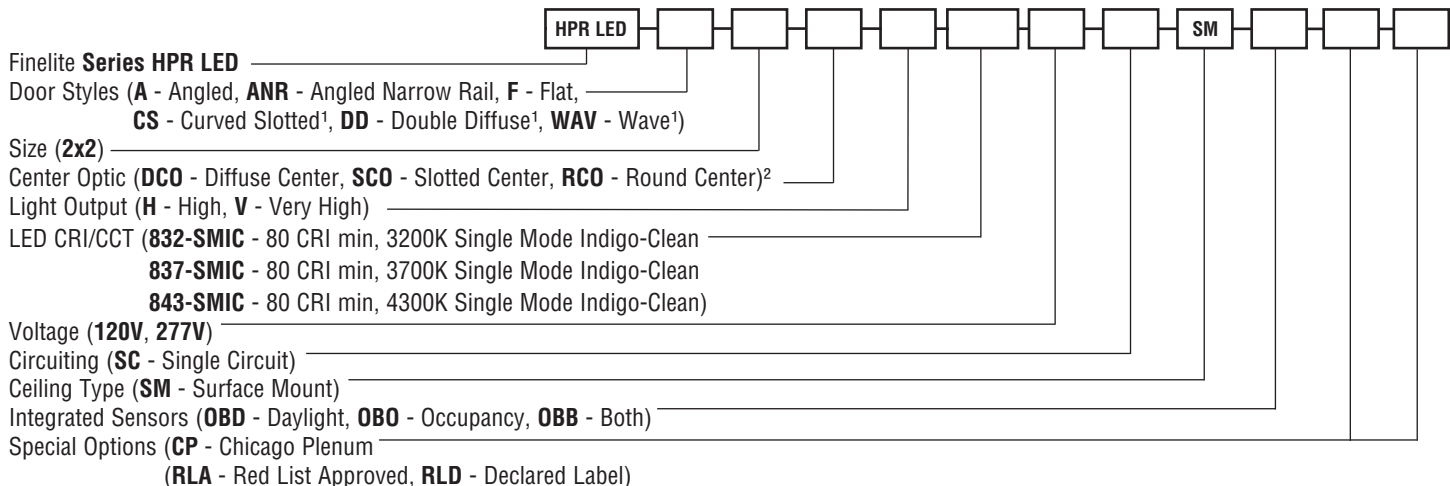
Comments



100% SERVICEABLE FROM BELOW

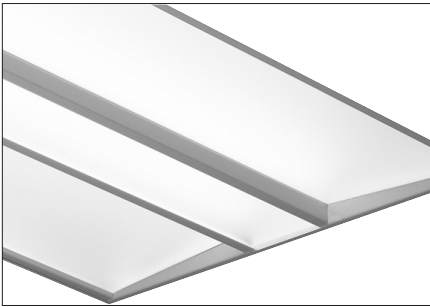
The replaceable light engine and driver are easy to access from below the ceiling.

ORDERING GUIDE: Sample Number: HPR LED - A - 2x2 - DCO - H - 837-SMIC - 277V - SC - C1 - OBO - CP - RLA

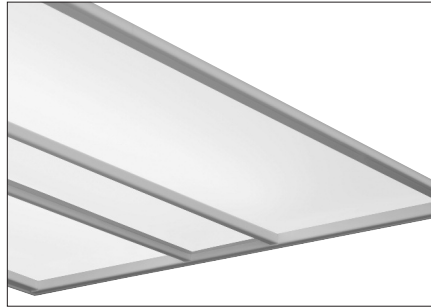


¹ Curved Slotted, Double Diffuse and Wave door not available with Center Optic options ² Shed the light on virus" article
² Only available with Angled (A), Angled Narrow Rail (ANR) and Flat (F) door options

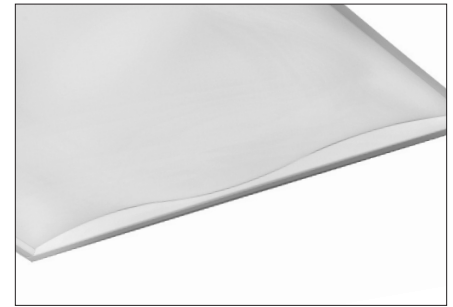
DOOR STYLES



A - Angled
ANR - Angled Narrow Rail

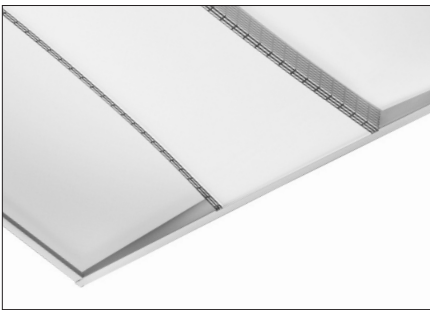


F - Flat

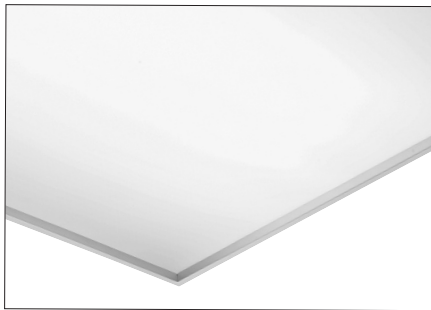


WAV - Wave

DOOR STYLES



CS - Curved Slotted



DD - Double Diffuse

CENTER OPTICS



DCO - Diffuse Center



SCO - Slotted Center

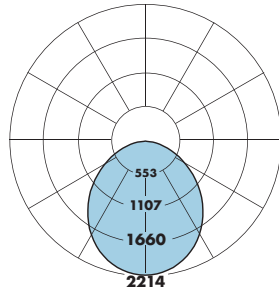


RCO - Round Center

DCO, SCO, and RCO are only available on Angled (A), Angled Narrow Rail (ANR), and Flat (F) doors.

PHOTOMETRY

HPR LED-A-2x2-DC0-V
Very High Output - A/F
Efficacy: 95 lumens per watt
Total luminaire output: 5535 Lumens
58.1 Watts
Peak Candela Value: 2214 @ 0°
CCT: 3700K
ITL LM79 Report 85142 (Family Correlated)



CANDLEPOWER SUMMARY						
	0.0	22.5	45	67.5	ACROSS	Flux
0	2214	2214	2214	2214	2214	
5	2203	2203	2202	2201	2202	209
10	2166	2165	2163	2162	2162	
15	2098	2098	2099	2100	2102	592
20	2006	2006	2010	2016	2018	
25	1891	1891	1898	1907	1913	874
30	1753	1754	1765	1780	1785	
35	1600	1602	1614	1634	1640	1011
40	1434	1437	1453	1473	1480	
45	1269	1268	1284	1305	1315	992
50	1094	1094	1112	1130	1138	
55	925	924	940	954	960	841
60	757	757	769	782	783	
65	596	599	604	612	617	601
70	446	446	451	458	462	
75	306	304	307	311	316	329
80	181	180	181	183	186	
85	77	75	73	71	73	86
90	0	0	0	0	0	

Information in charts below are for reference and based on ITL LM79 report 85142 (Family Correlated)

Angled (A) and Flat (F) Total Light Output, 3700K, 80 CRI (Lumens)	
H	V
4250	5535
Power (Watts)	
H	V
42.8	58.1
Efficacy, 3700, 80 CRI (Lumens per Watt)	
H	V
99	95

Angled Narrow Rail (ANR) Total Light Output, 3700K, 80 CRI (Lumens)	
H	V
4099	5338
Power (Watts)	
H	V
42.9	58.3
Efficacy, 3700, 80 CRI (Lumens per Watt)	
H	V
96	92

Wave (WAV) Total Light Output, 3700K, 80 CRI (Lumens)	
H	V
4341	5654
Power (Watts)	
H	V
42.9	58.2
Efficacy, 3700, 80 CRI (Lumens per Watt)	
H	V
101	97

Curve Slotted (CS) Total Light Output, 3700K, 80 CRI (Lumens)	
H	V
4050	5274
Power (Watts)	
H	V
42.9	58.2
Efficacy, 3700, 80 CRI (Lumens per Watt)	
H	V
95	91

Double Diffuse (DD) Total Light Output, 3700K, 80 CRI (Lumens)	
H	V
3403	4432
Power (Watts)	
H	V
42.9	58.3
Efficacy, 3700, 80 CRI (Lumens per Watt)	
H	V
79	76

Lumen Adjustment Factors - 80 CRI	
Indigo-Clean	
3200K	0.98
3700K	1.00
4300K	1.03

**SAMPLE LUMEN
ADJUSTMENT CALCULATION**

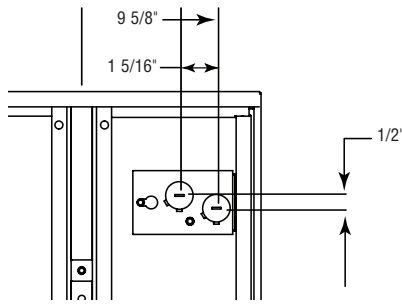
High Output (H) Angled (A) & Flat (F)
3200K, 80 CRI

Lumen Adjustment Factor = 0.98
Total Light Output = 4250
4250 lm x 0.98 = 4165 lm

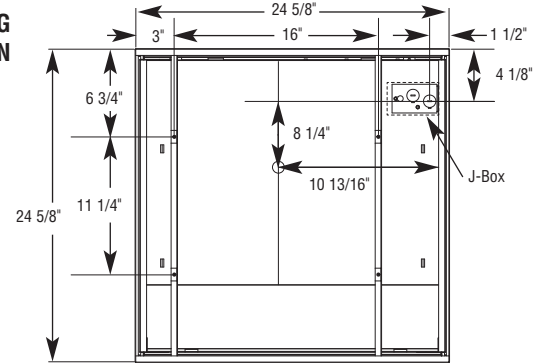
$$Efficacy = \frac{4165 \text{ lm}}{40.6 \text{ W}} = 103 \text{ lm/W}$$

H - High Output, V - Very High Output

WIRING ACCESS DETAIL



MOUNTING INFORMATION



SPECIFICATIONS

CONSTRUCTION: Die-formed 20-gauge cold-rolled steel housing. All components are hard-tooled to tolerances of +/- 0.010". UV stabilized weather-strip pile gasket with polypropylene backing. Hinged door frame assembly provides easy access to light arrays and driver compartment for servicing from below. Seismic brackets are integrated into the luminaire assembly.

REFLECTORS: Die-formed 20-gauge cold-rolled steel reflectors are finished in 96LG high reflectance matte white powder coat paint.

AIR RETURN: Refer to 2x4 Air Return Tech Sheet for more information.

OPTICAL SYSTEM: Components include diffuser panels and a central optic element held in place with a frame constructed from die-formed cold-rolled steel. The diffusers are UV-stabilized and impact-resistant frosted virgin acrylic, 0.120" thick. They are either angled toward the central optic or parallel to the ceiling plane. The center optical element is held in place by sleek steel rails. The standard center rails are approximately 9/16" wide. Optional narrow rails are approximately 5/16" wide. Optional wave door includes frosted acrylic panel that undulates from side to side. For optimum performance, continuously provide an average 50-60 footcandles on the work plane (24/7). Dimming generally reduces effectiveness and increases the variation in the disinfecting light's visual appearance.

INDIGO-CLEAN TECHNOLOGY: Single-Mode Indigo-Clean Technology utilizes a combination of blended white LEDs, and safe 405nm LEDs to continually disinfect a space and kill bacteria, Influenza-A, and SARS-CoV-2 – the virus that causes COVID-19. Unlike UV disinfection, Indigo-Clean Technology is designed to safely and continuously disinfect a space while it is fully occupied. When the Indigo-Clean Technology light is on, disinfection is active. For optimum performance, continuously provide an average 50-60 footcandles on the work plane (24/7).

Single-Mode Indigo-Clean Technology: Continuous environmental disinfection system that uses a blended white LEDs and 405nm Indigo-Clean LEDs. The narrow spectrum light provides a safe visible light that disinfects the space. When the light is on, disinfection is active.

Dual-Mode Indigo-Clean Technology: Utilizes a two circuit board design. When the space is occupied it utilizes a combination of blended white LEDs and 405nm LEDs. When the space is unoccupied, it

utilizes just the 405nm LEDs with increased output to increase disinfection efficacy. Available: Year-end, 2021.

DOUBLE DIFFUSE: Visible diffuser: UV-stabilized and impact-resistant frosted virgin acrylic, 0.120" thick. Inner diffuser: 0.120" thick with 60% round perforations white/white.

DOOR STYLE: *Curved Slotted (CS)* includes perforated rails that slope inward and a diffuse frosted acrylic center optic.

CENTER OPTIC OPTIONS: *Only available with Angled (A), Angled Narrow Rail (ANR), and Flat (F) door styles.*

Diffuse Center Optic (DCO): UV-stabilized and impact resistant frosted virgin acrylic.

Slotted Center Optic (SCO): Die-formed cold-rolled steel panel with a 1/16" x 1/2" rectangular hole pattern. Virgin acrylic overlay.

Round Center Optic (RCO): Die-formed cold-rolled steel panel with precision-punched 3/32" round hole pattern arranged in staggered formation. Virgin acrylic overlay.

LIGHT OUTPUT: Two lumen packages available. High (H), and Very High (V). A separate chart summarizes lumen distribution and wattage. Light engines are replaceable.

LUMEN MAINTENANCE: 90% of initial light output (L90) at 100,000+ hours; 70% of initial light output (L70) at 200,000+ hours.

DRIVER: Replaceable 120V/277V Constant Current Reduction dimming driver standard. Can be wired dimming or non-dimming. 0-10V dimming controls with a range of 10%- 100%. Dimming to 1% available, consult factory. Driver is fully accessible from below the ceiling. Power Factor: ≥0.9. Total Harmonic Distortion (THD): <20%. Expected driver lifetime: 100,000 hours.

LUTRON DRIVER OPTIONS: LUTES1 (Hi-lume 1% EcoSystem with Soft-On, Fade to Black dimming (LDE1 series)); LUT2W (Hi-lume 1% 2-wire, 120V forward phase dimming (LTEA series)); Contact factory for availability of discontinued Lutron drivers, L3DA-3-wire and L3DA EcoSystem.

ELECTRICAL: Optional emergency to generator/inverter wiring, internal generator transfer switch, nightlight wiring, step-dimming driver, backup battery. Chicago

Plenum option. Factory-choice low-profile backup battery available. Bodine BSL722 battery pack also available. Backup batteries deliver 2199 lumens. One half of the 2x2 will be illuminated in emergency mode.



INTEGRATED SENSORS: Integrated PIR (Passive Infrared) occupancy and/or daylight sensors available. Refer to Occupancy Sensor and Daylight Sensor tech sheets for more info.

MOUNTING: Luminaire is compatible with recessed junction boxes. Electrical connections can be made directly to wiring access plate shown above. Junction boxes can also be placed between mounting bars. Maximum center of feed location from luminaire center is 8 3/4" along the dimension parallel to the mounting bars, and 14" along dimension perpendicular to the mounting bars.

FINISH: Housing and door assembly painted with 96 LG high reflectance matte white powder coat paint. Optional adder: Anti-microbial paint. Contact factory.

FEED: Optional whips (with flex connectors) supplied in a maximum of 11' lengths. Lead Wires.

LABELS: Luminaire and electrical components are ETL-listed conforming to UL 1598 in the U.S.A. and CAN/CSA C22.2 No. 250.0 in Canada. In accordance with NEC Code 410.130 (G), this luminaire contains an internal driver disconnect. UL 924 and UL 2108 PoE options available on request. EPA Est.No. 99530-CA-1. These fixtures are rated for Damp Location. IC-rated and Chicago Plenum options available. Finelite products use electronic components that are RoHS compliant, and the mechanical components of the luminaire have been verified to not knowingly contain any restricted substances listed per RoHS Directive 2015/863. HPR can be used to comply with 2016 Title 24, Part 6 (JA8); high efficacy LED light source requirements. Consult factory for tailored lighting options. Finelite makes the specification process easy when putting healthier products on your projects. Simply add - RLA (Red List Approved) or - RLD (Declared Label) to your part number.

WEIGHT: 16 lbs maximum.

WARRANTY: 5-year performance-based warranty on all standard components. Optional accessories such as emergency battery packs are covered by their individual manufacturer warranties.

* Shed the light on virus" article