
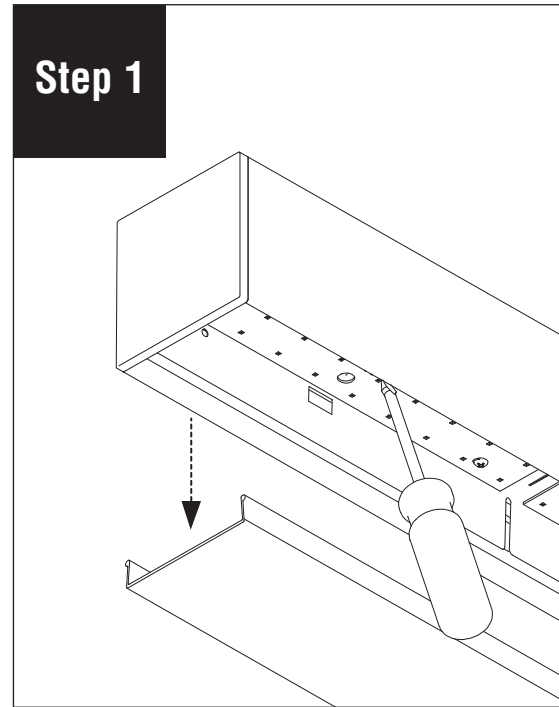


# HP-4 Wall Mount Direct Starter/Independent Installation Instructions

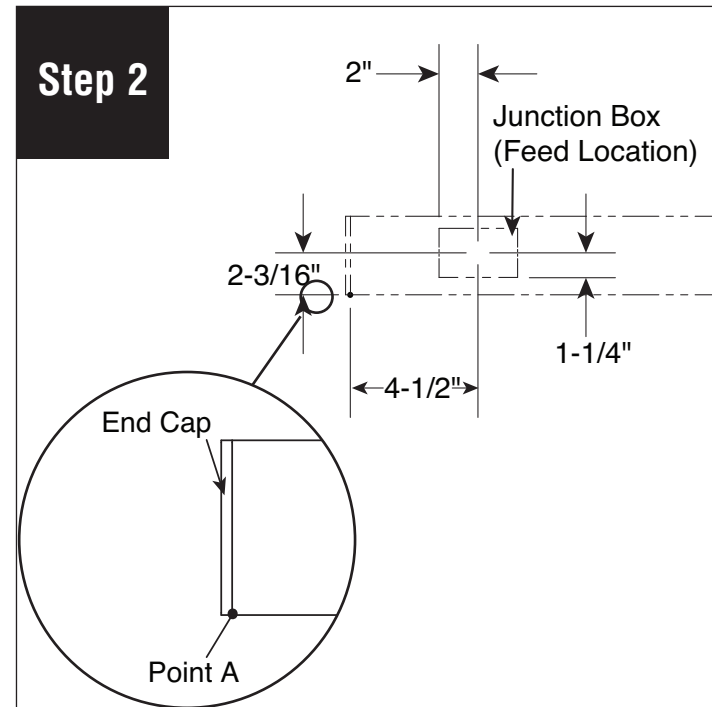
Scan QR code for helpful video(s)



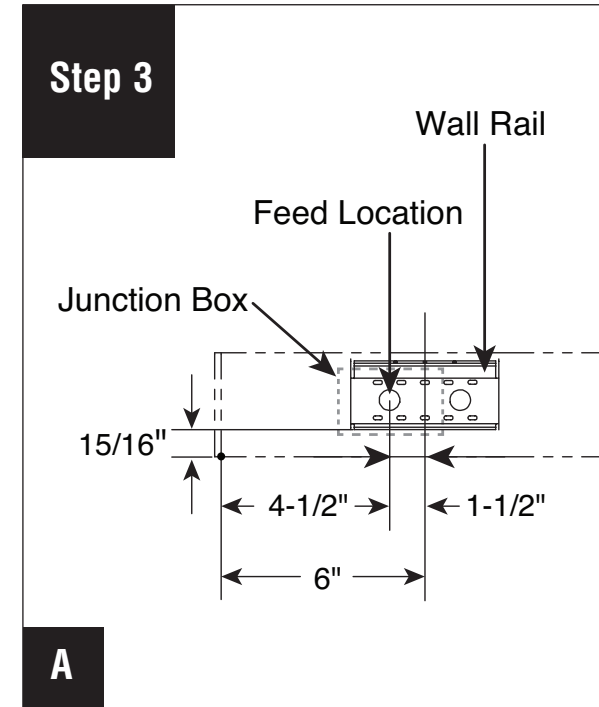
0 - 10V Dimming



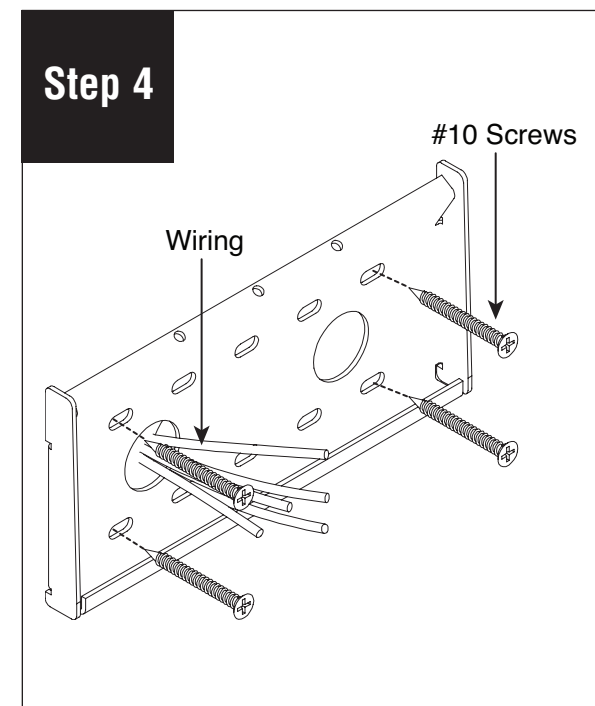
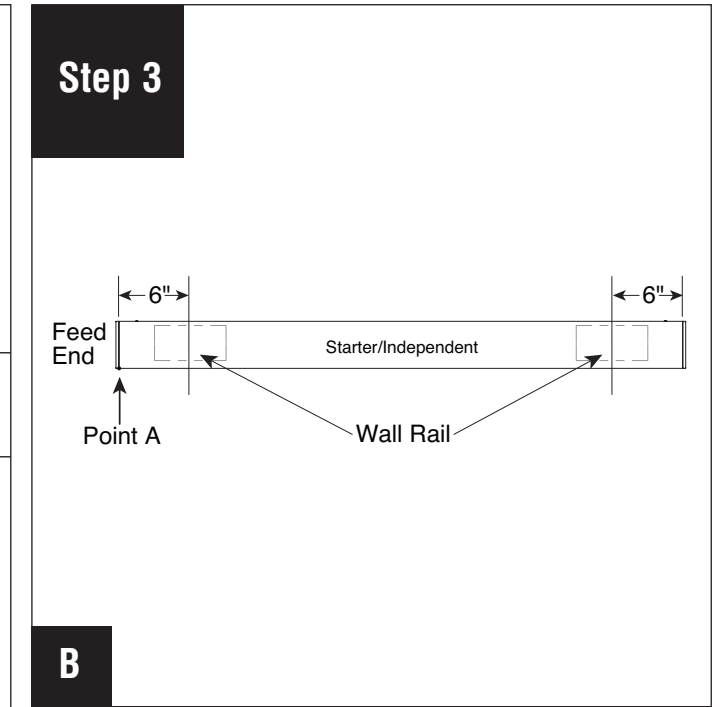
Remove bottom diffuser and set aside to prevent it from getting dirty or damaged. **NOTE:** If part of a longer run, diffuser will be reinstalled back into original luminaire section as lengths vary.



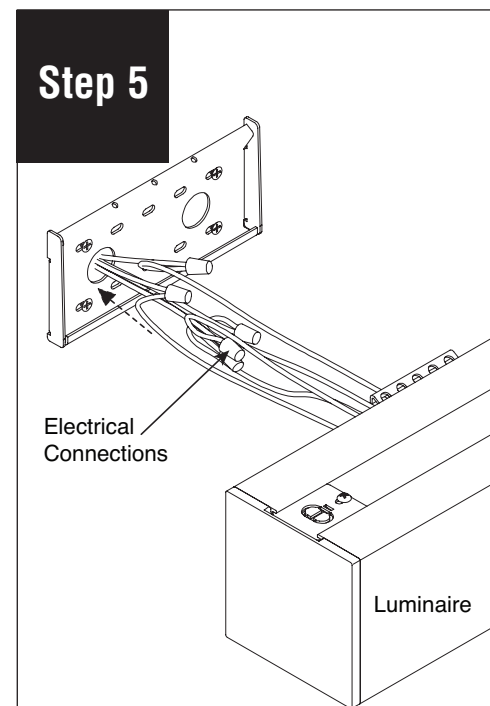
Position luminaire on wall in desired location. Mark the bottom corner of the luminaire, do not include end cap. This will be Point A. Use Point A to find and mark feed location.



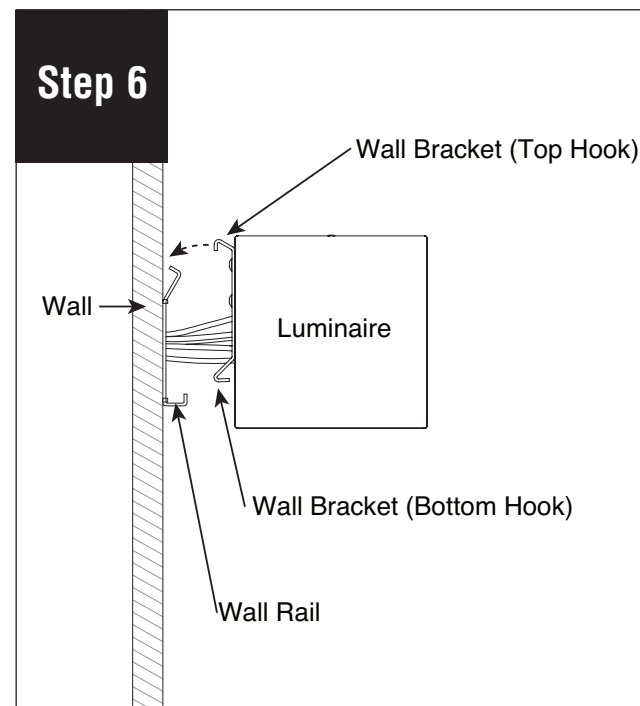
**A)** Use feed location to center and install junction box. Position and install starter wall rail. **B)** Center of wall rail for independent is 6" from Point A as indicated. Make sure rail has proper backing (provided by others).



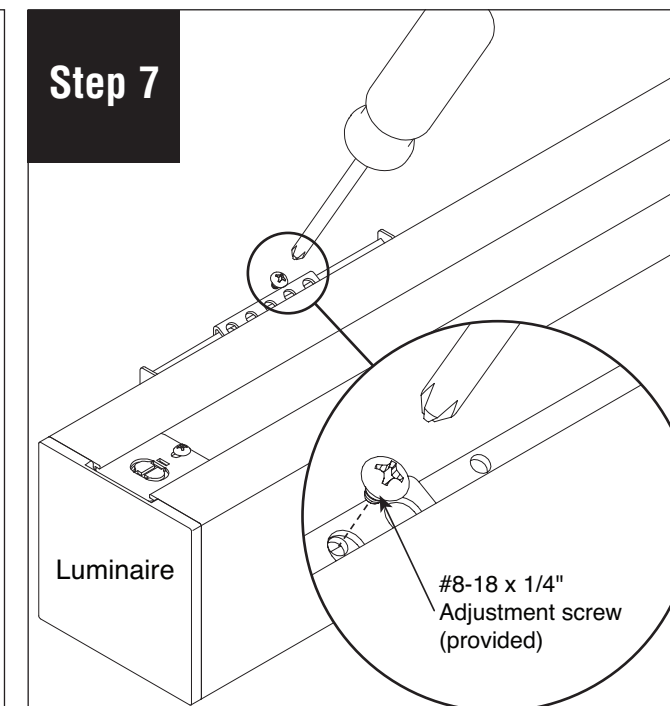
Level wall rail to ensure proper mounting. Install screws (by others) through rail and into backing.



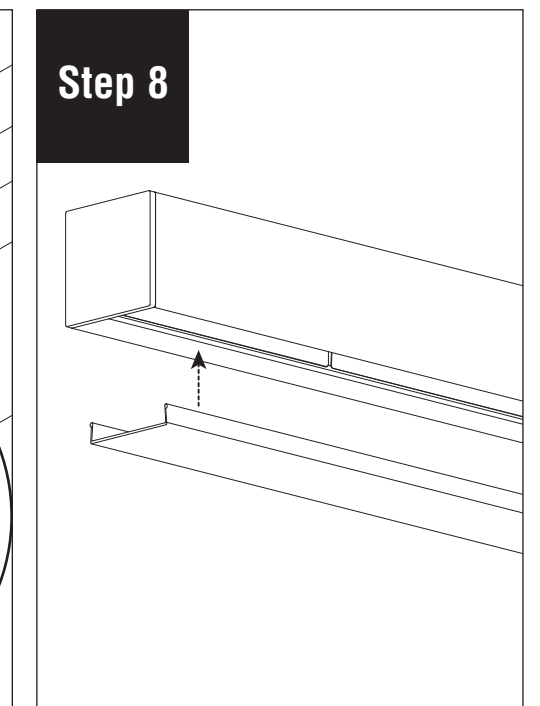
Make electrical connections and push completed wiring into junction box.



Position the luminaire in place and slide the wall bracket straight down to engage top and bottom hooks of the wall bracket into the wall rail.



Secure the luminaire to the wall rail with the #8-18 x 1/4" screws (provided) going through the wall brackets.



Reinstall diffuser and power on the luminaire. **NOTE:** If part of a longer run, diffuser will be reinstalled back into original luminaire section as lengths vary.

**Note:** All power connections to be installed to local/national codes by a Certified Electrician.

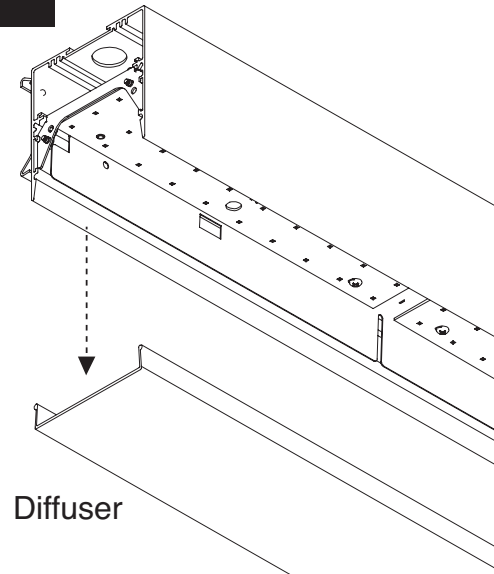
# HP-4 Wall Mount Direct Joiner/Ender Installation Instructions

Scan QR code for helpful video(s)



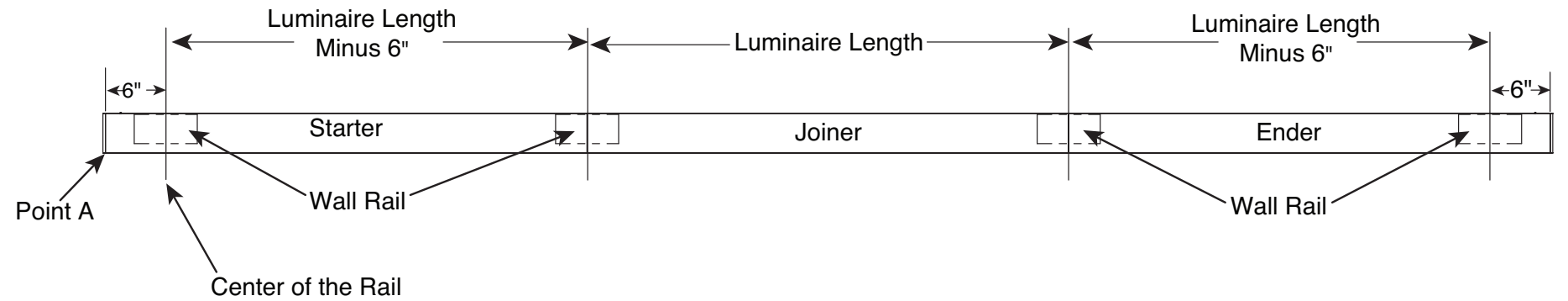
0 - 10V Dimming

## Step 1



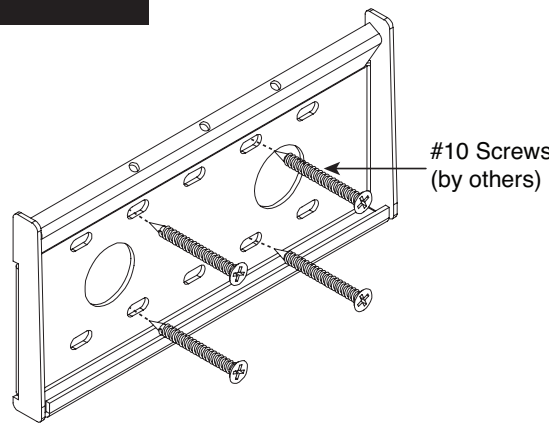
Remove joiner bottom diffuser and set aside to prevent it from getting dirty or damaged. **NOTE:** If part of a longer run, diffuser will be reinstalled back into original luminaire section as lengths vary.

## Step 2



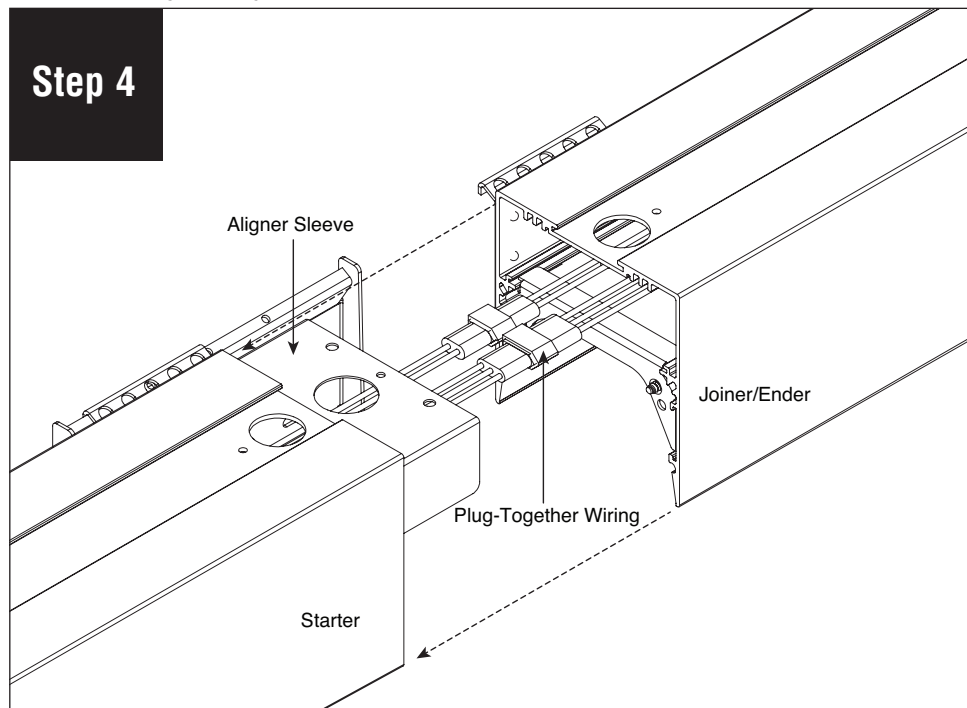
Position wall rails as indicated above. Center of mounting rail for starter is 6" from Point A as indicated on the Starter/Independent installation instructions (step 3A and 3B). Make sure wall rail mount has proper backing (by others).

## Step 3



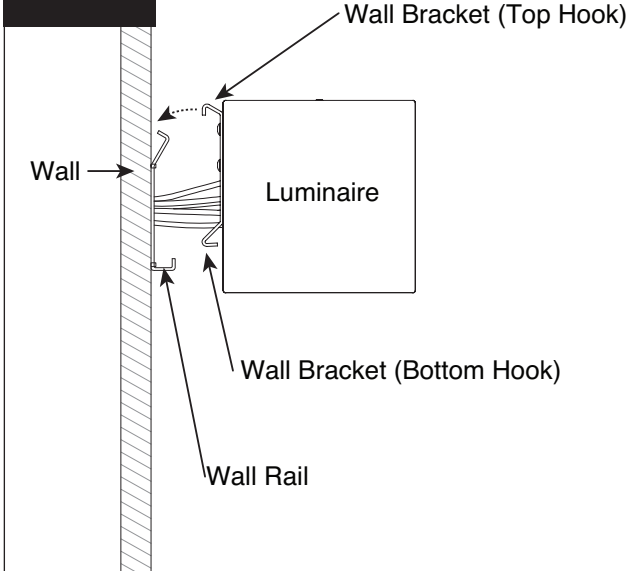
Level wall rail to ensure proper mounting. Install #10 screws (by others) through rail and into backing.

## Step 4



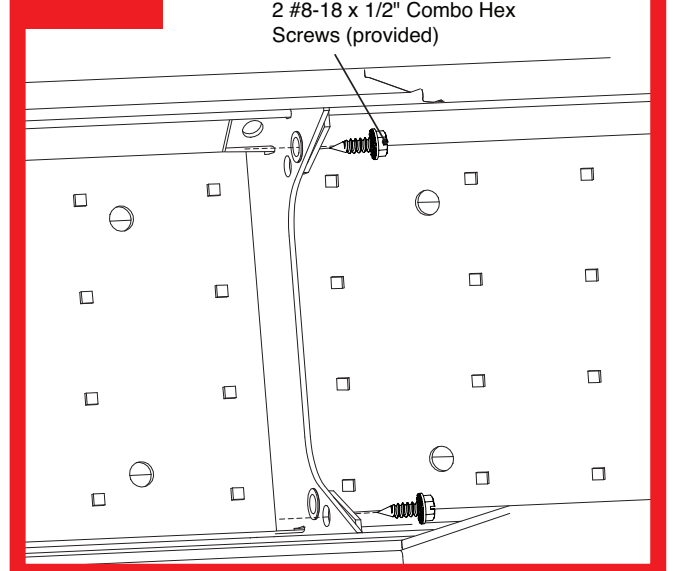
Connect plug-together wiring. Slide starter and joiner/ender luminaires together.

## Step 5



Position the luminaire in place and slide the wall bracket straight down to engage top top and bottom hooks of the wall bracket into the wall rail. Be careful not to damage any wiring.

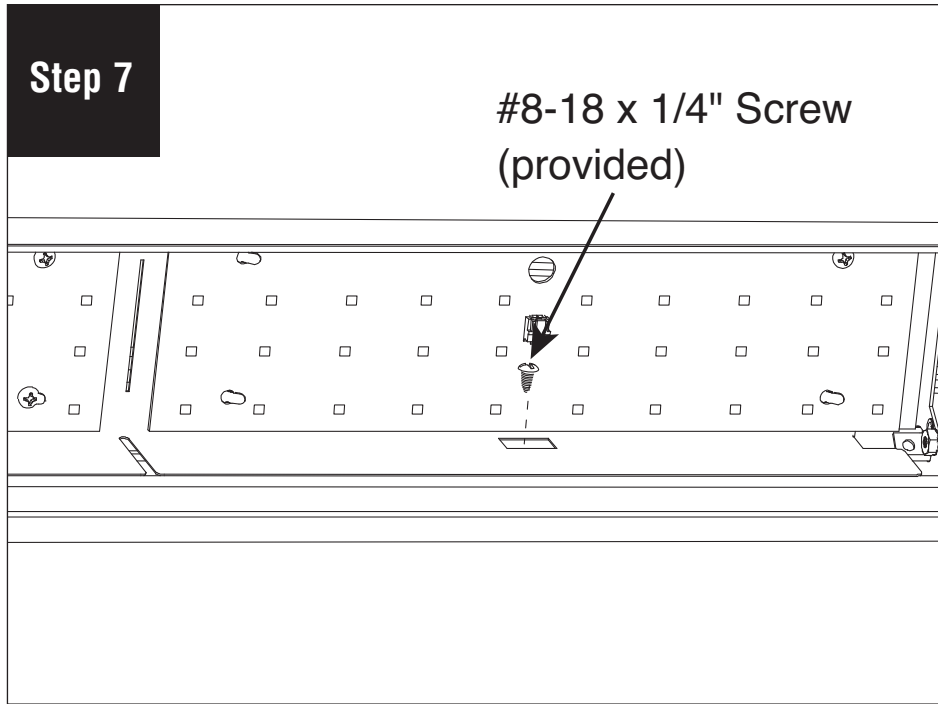
## Step 6 IMPORTANT STEP



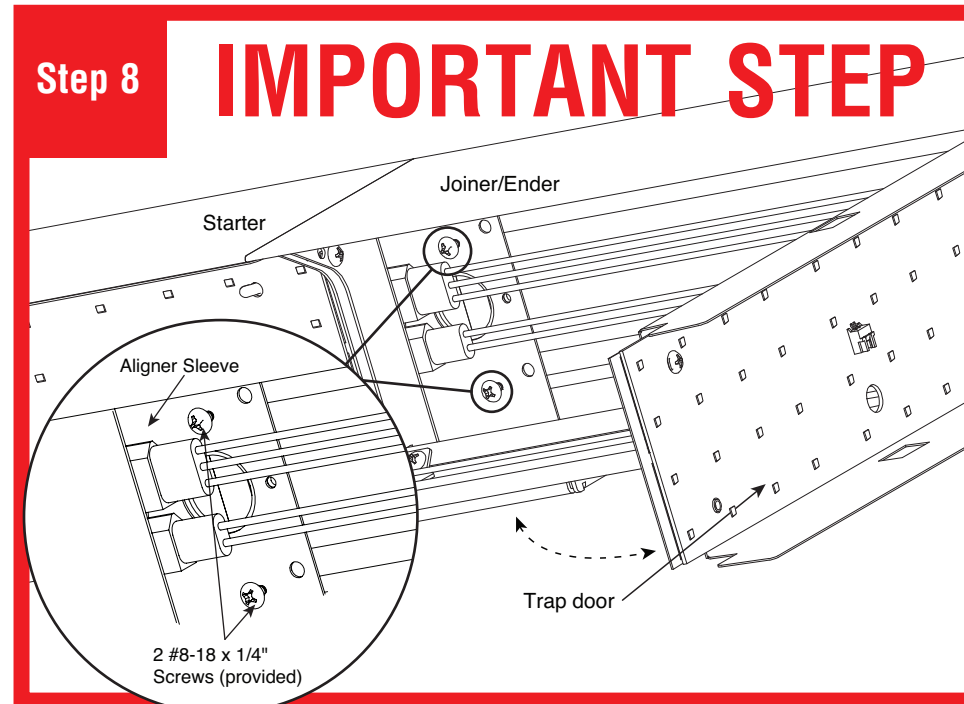
**IMPORTANT STEP:** Install the two #8-18 x 1/2" combo hex screws (provided) into end bracket as shown. Screws can be installed from the left or right. **CAUTION: Do not over-tighten.**

**Note:** All power connections to be installed to local/national codes by a Certified Electrician.

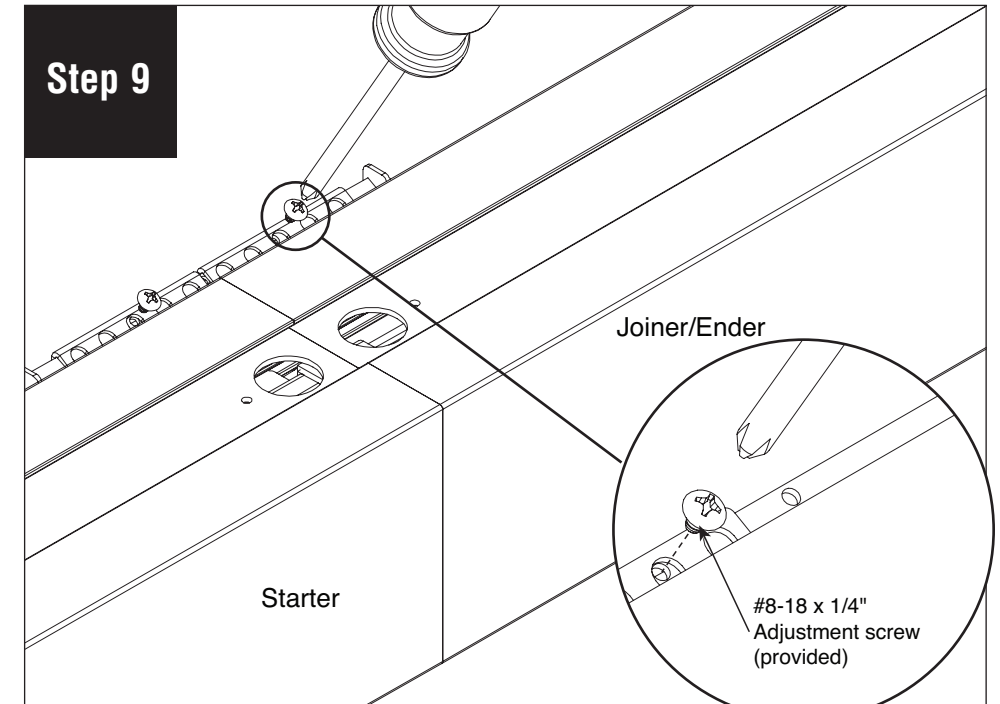
# HP-4 Wall Mount Direct Joiner/Ender Installation Instructions



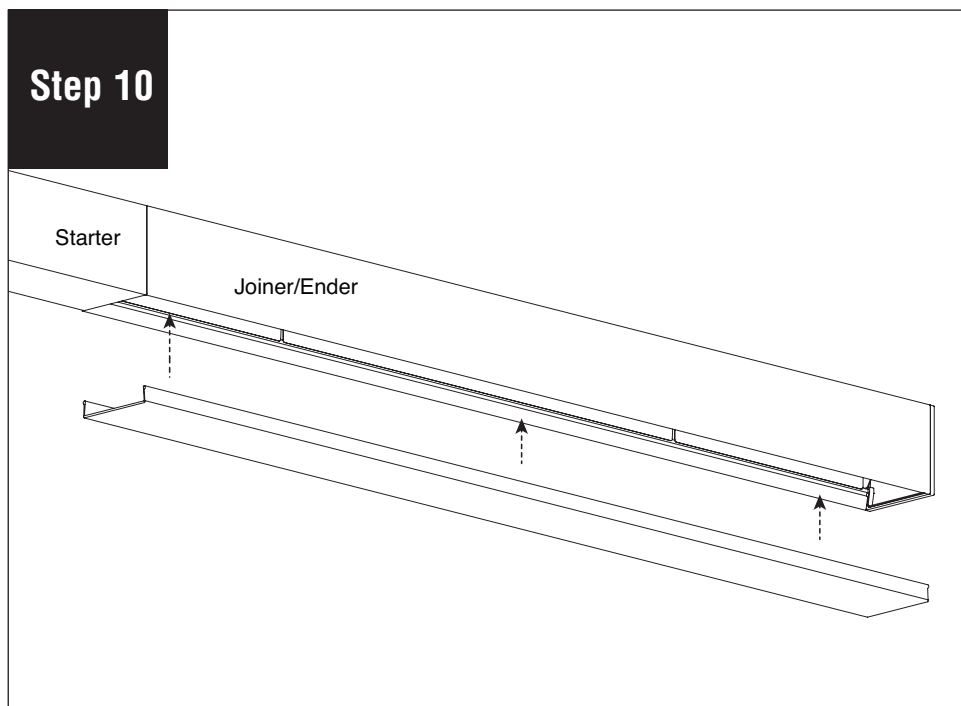
Open trap door by removing #8-18 x 1/4" screw on the side of the trap door.



Install two #8-18 x 1/4" screws (provided) onto aligner sleeve. Replace trap door and fasten trap door screws.



Install #8-18 x 1/4" adjustment screws (provided) onto mounting brackets. Use screws to level luminaire. Tighten to raise and loosen to lower.



Reinstall diffuser and power on the luminaire. **NOTE:** If part of a longer run, diffuser will be reinstalled back into original luminaire section as lengths vary.

**Note:** All power connections to be installed to local/national codes by a Certified Electrician.