


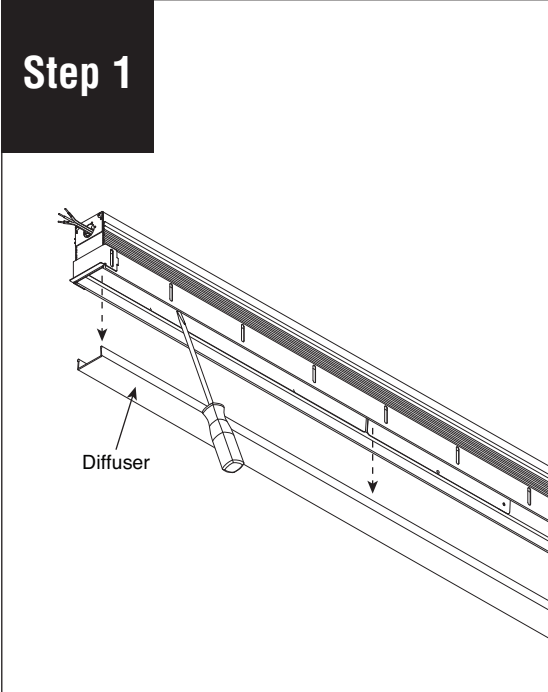
# HP-2 Recessed Flush Diffuser 1" Tegular Starter/Independent Installation Instructions

Scan QR code for helpful video(s)



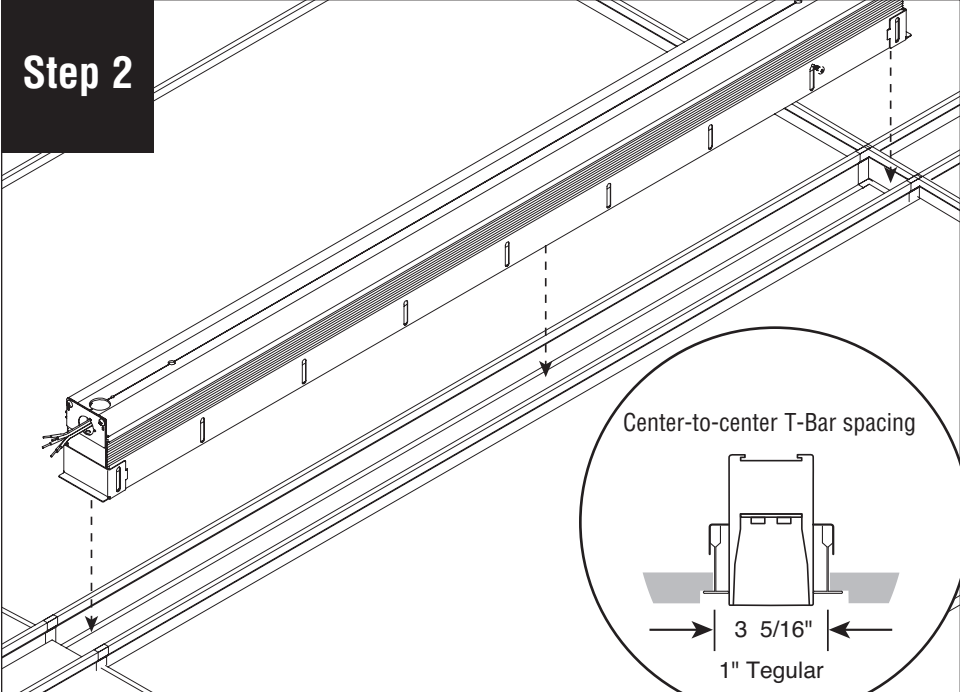
0 - 10V Dimming

**Step 1**



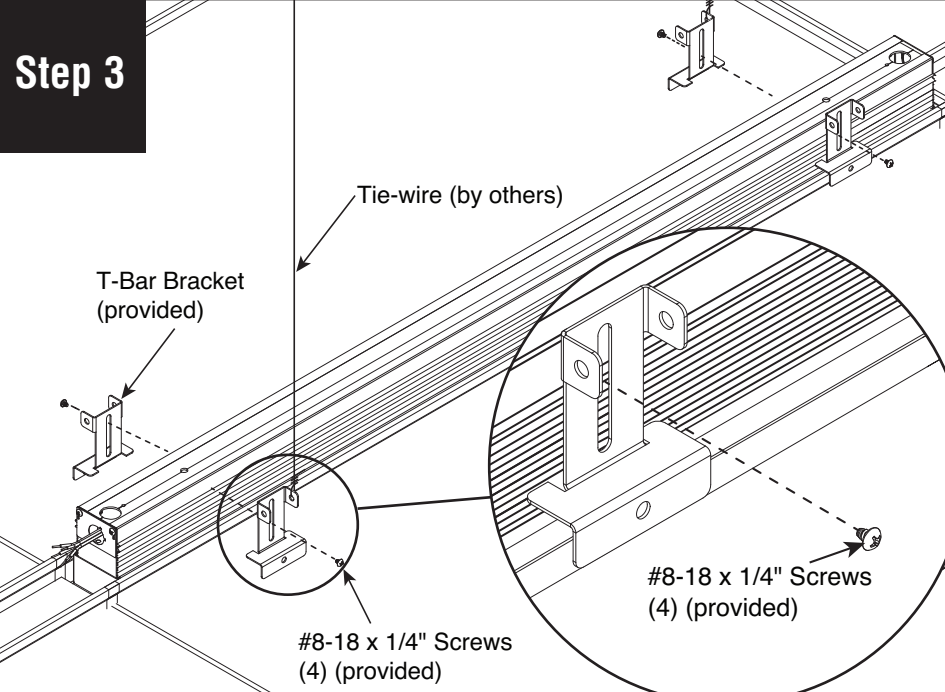
Remove diffuser and set aside to prevent it from getting dirty or damaged.

**Step 2**



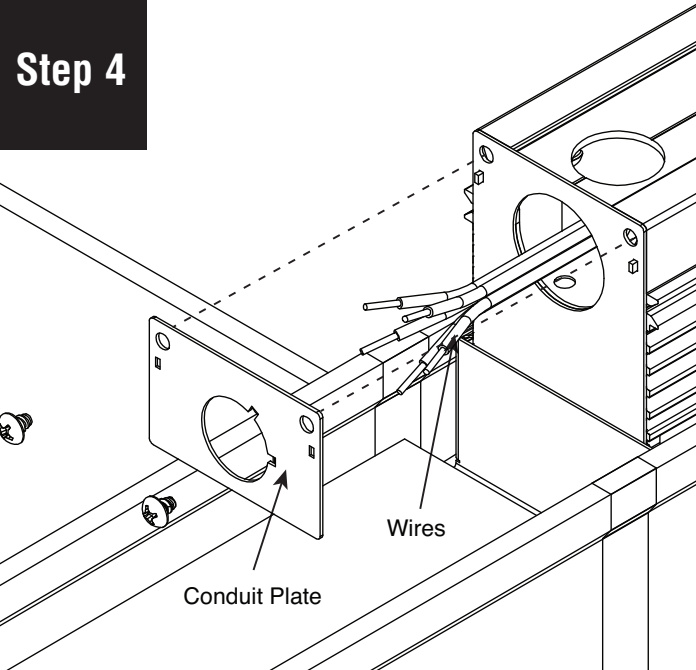
Place luminaire on T-Bar.

**Step 3**



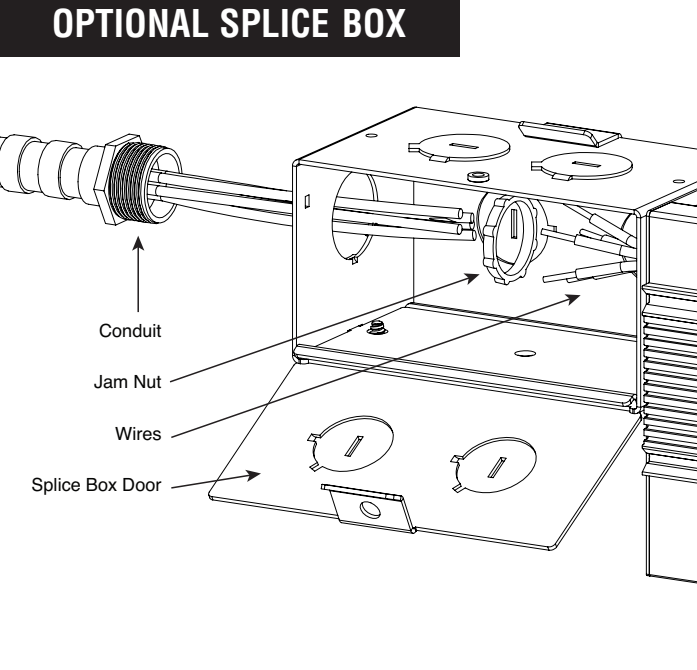
Install T-Bar bracket onto luminaire. Secure with #8-18 x 1/4" screws (provided). Secure luminaire to structure using tie-wire (by others), as per code.

**Step 4**



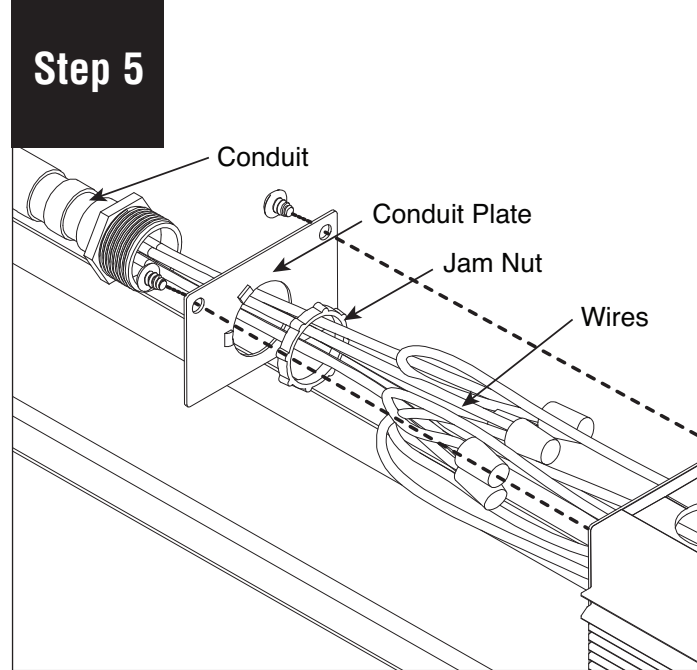
Remove conduit plate from luminaire.

**OPTIONAL SPLICE BOX**



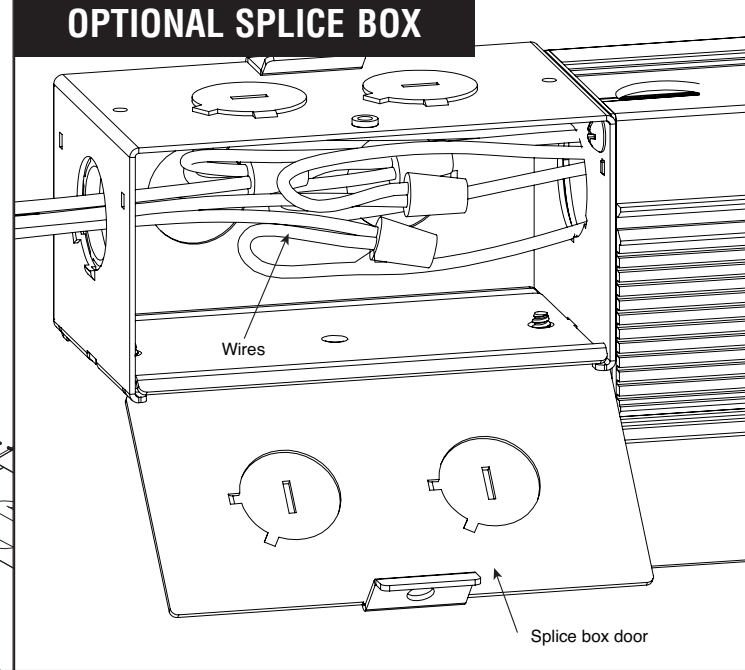
Open optional splice box door to access wiring.

**Step 5**



Run power cables through conduit plate and jam nut. Make electrical connections. Secure conduit onto conduit plate with jam nut, and reinstall conduit plate carefully not to damage any wiring.

**OPTIONAL SPLICE BOX**



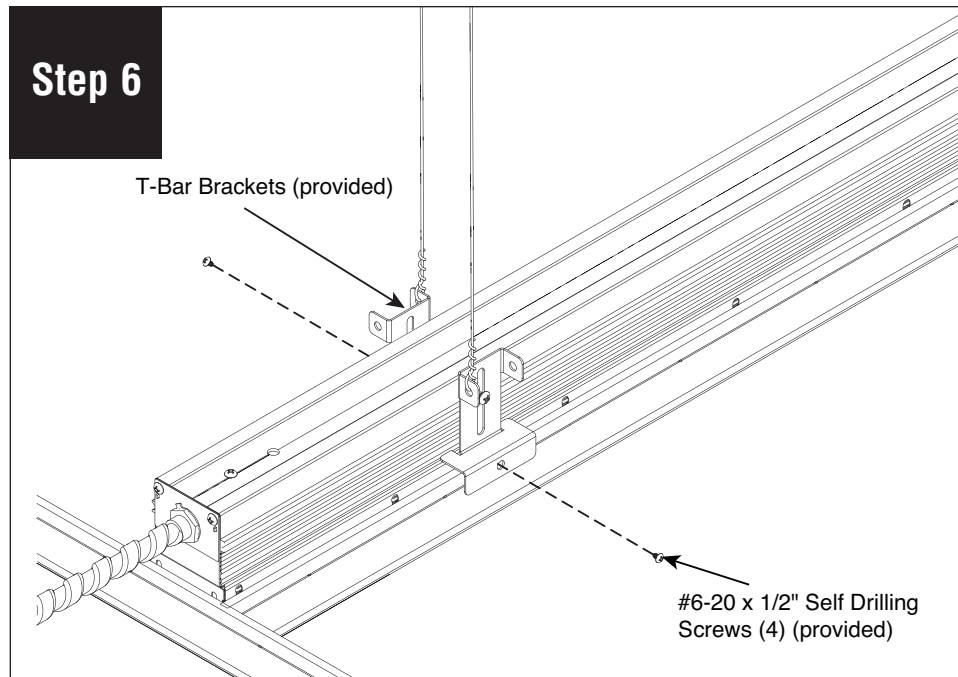
Run power cable through knock-out. Make electrical connections. Secure conduit on to splice box with jam nut and close splice box door.

**Note:** All power connections to be installed to local/national codes by a Certified Electrician.

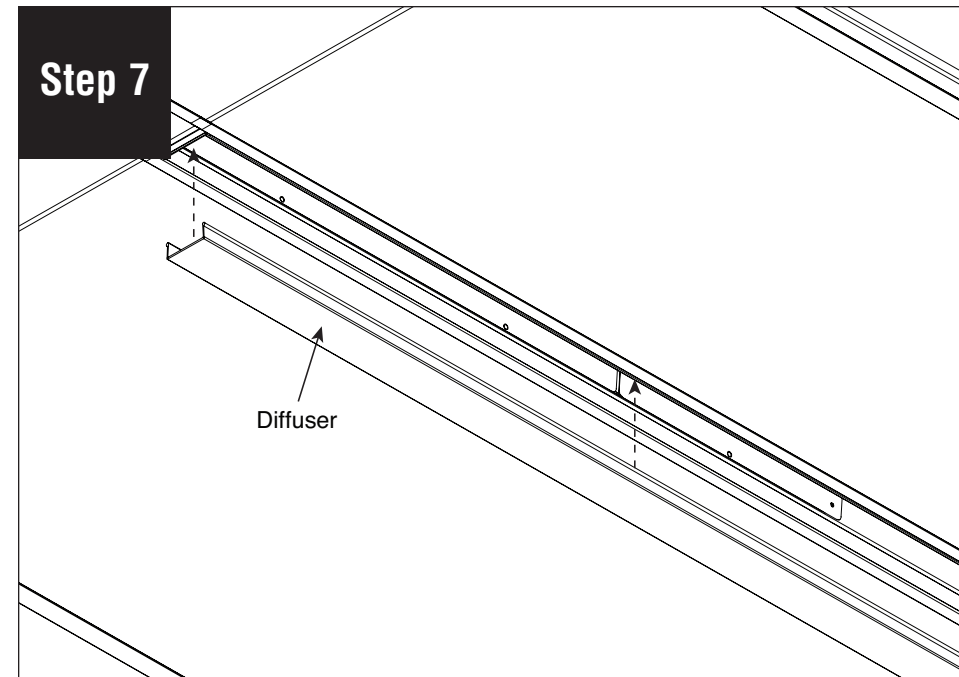
Protected by one or more US Patents: 8915613; D702,391; D702,390; D700,732; D727,554 S; D727,550 S; D727,551 S

© 2016 FINELITE, INC. ALL RIGHTS RESERVED. Form 98321 V2. 11/16

# HP-2 Recessed Flush Diffuser 1" Tegular Starter/Independent Installation Instructions



Secure luminaire to T-Bar by driving #6-20 x 1/2" self drilling screws (provided) through the T-Bar brackets (provided) into the T-Bar.




Reinstall diffuser and turn power on to luminaire.

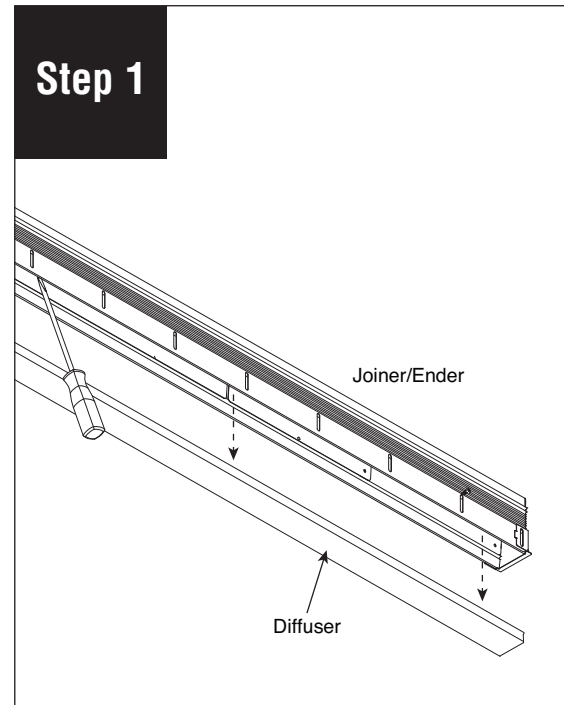
**Note:** All power connections to be installed to local/national codes by a Certified Electrician.

# HP-2 Recessed Flush Diffuser 1" Tegular Joiner/Ender Installation Instructions

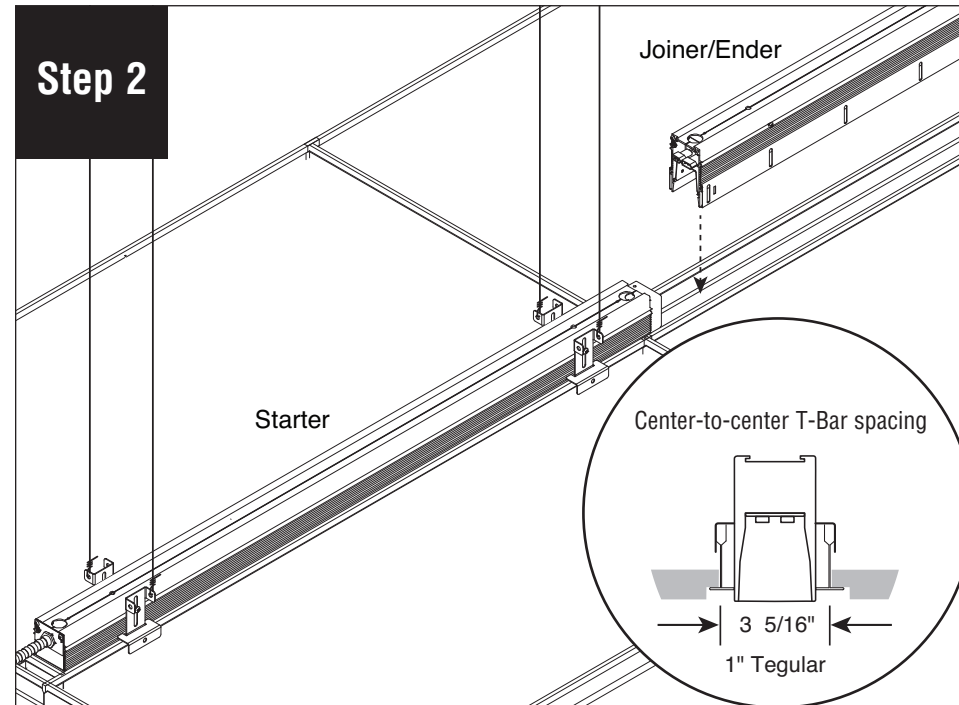
Scan QR code for helpful video(s)



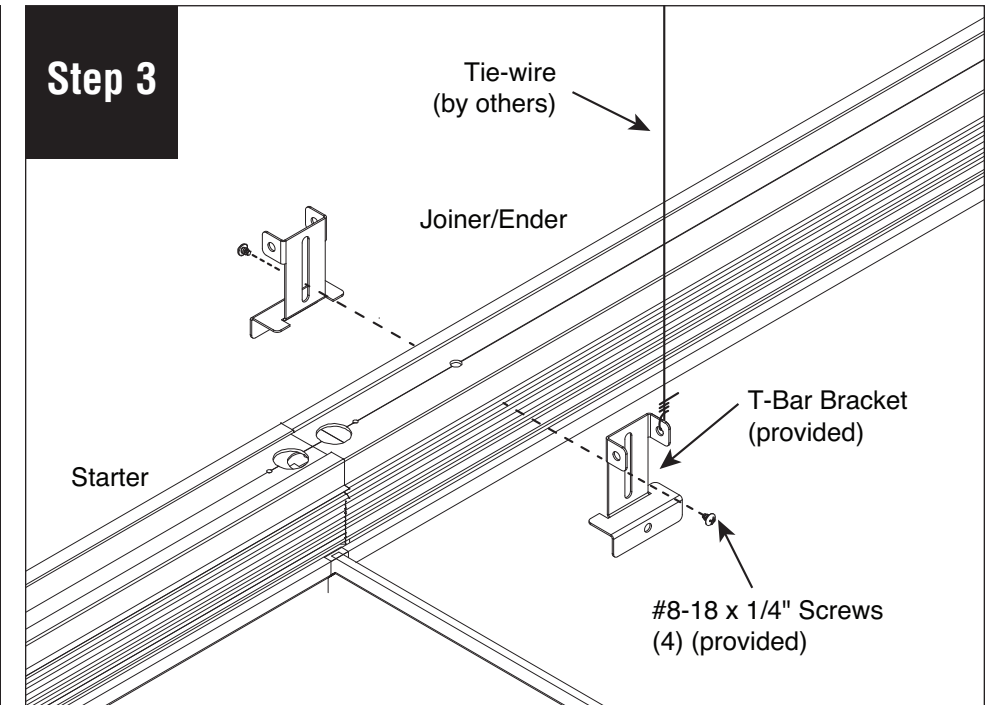
0 - 10V Dimming



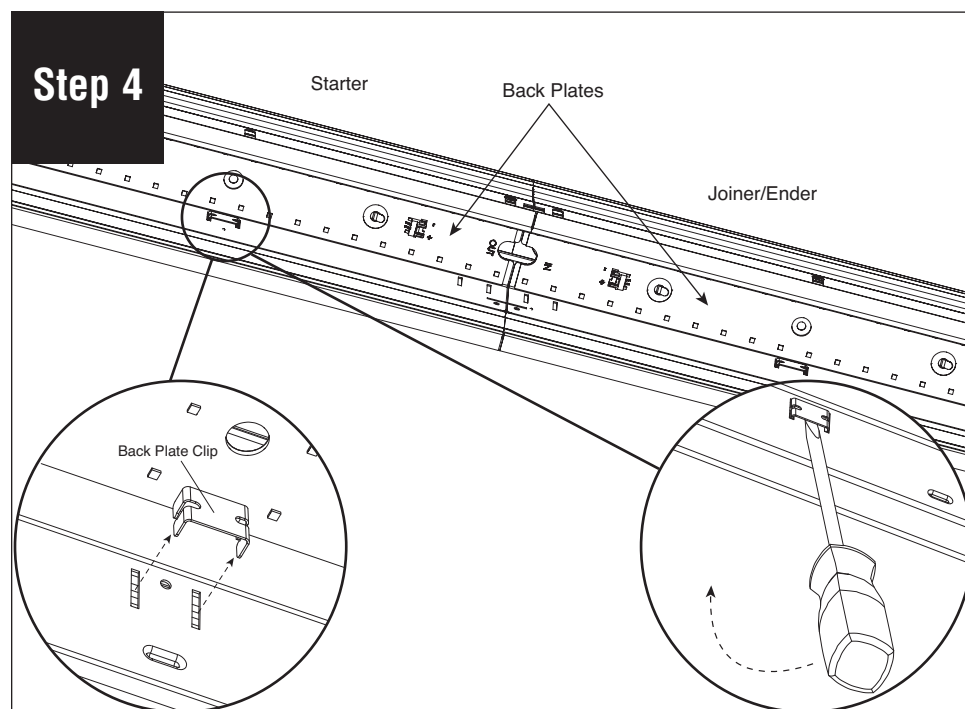
Remove diffuser and set aside to prevent it from getting dirty or damaged.



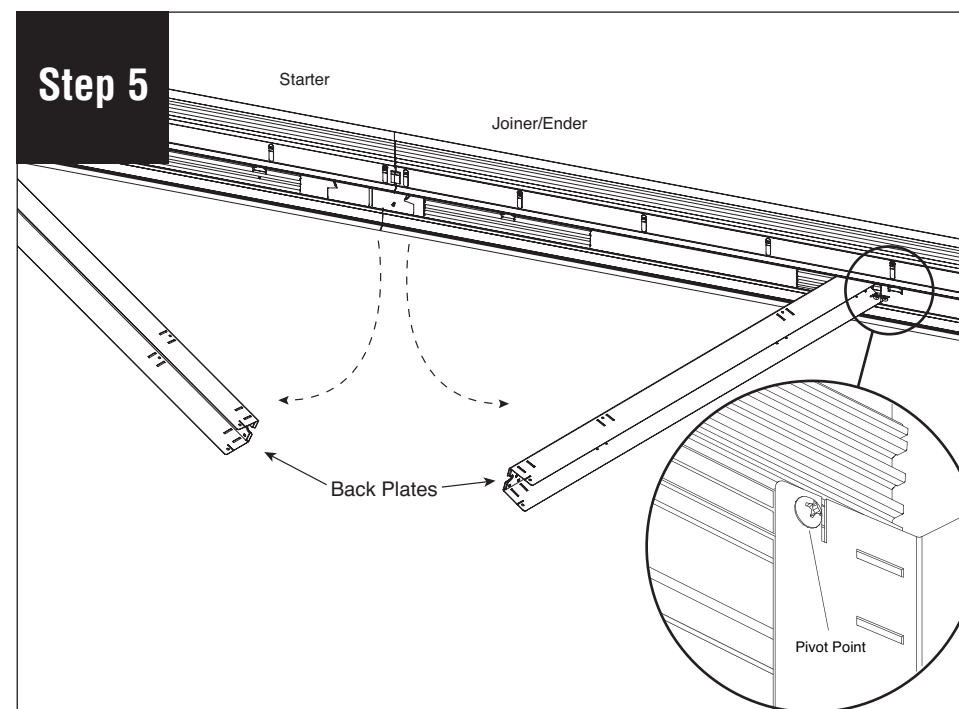
Install joiner/ender onto ceiling next to starter. Align the starter and joiner/ender luminaires and slide them together.



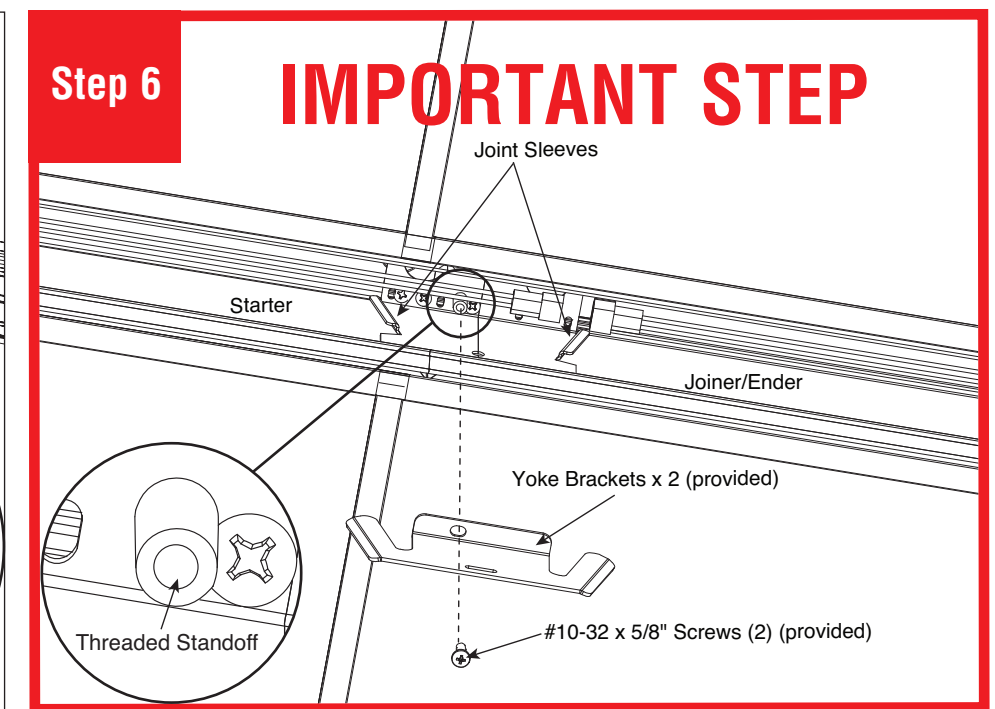
Install T-Bar bracket onto joiner/ender. Secure with #8-18 x 1/4" screws (provided). Secure all luminaires to structure using tie-wire (by others), as per code.



At the joint of luminaires. Remove back plate clips (provided) to release back plates. We recommend using a flat head screwdriver to get them loose. **CAUTION: Do not lose these pieces.**



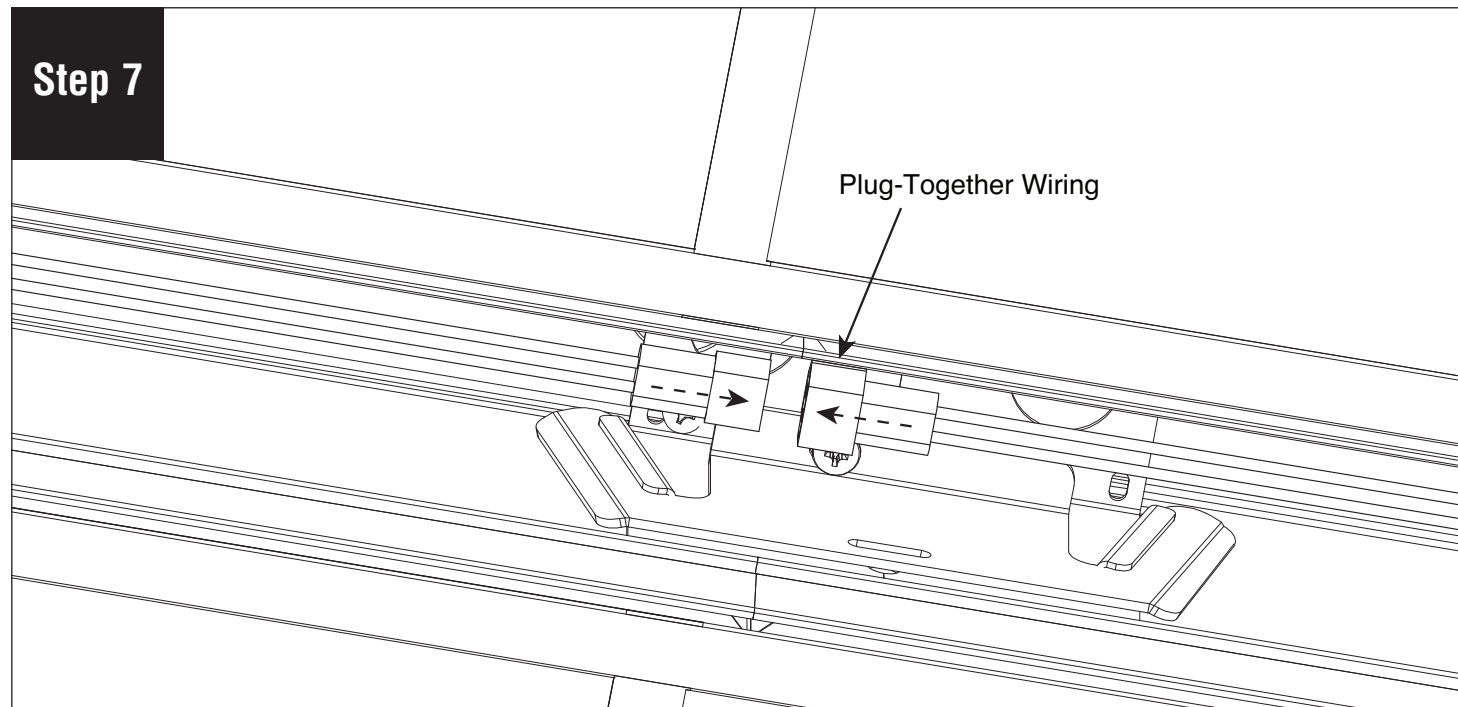
Slowly swing down back plates. **CAUTION: Do not twist back plate when swinging down - it will come out of the support extrusion.** Note that the screw shown is the pivot point and the back plate can be slid a few inches either way for ease of access to the driver space.



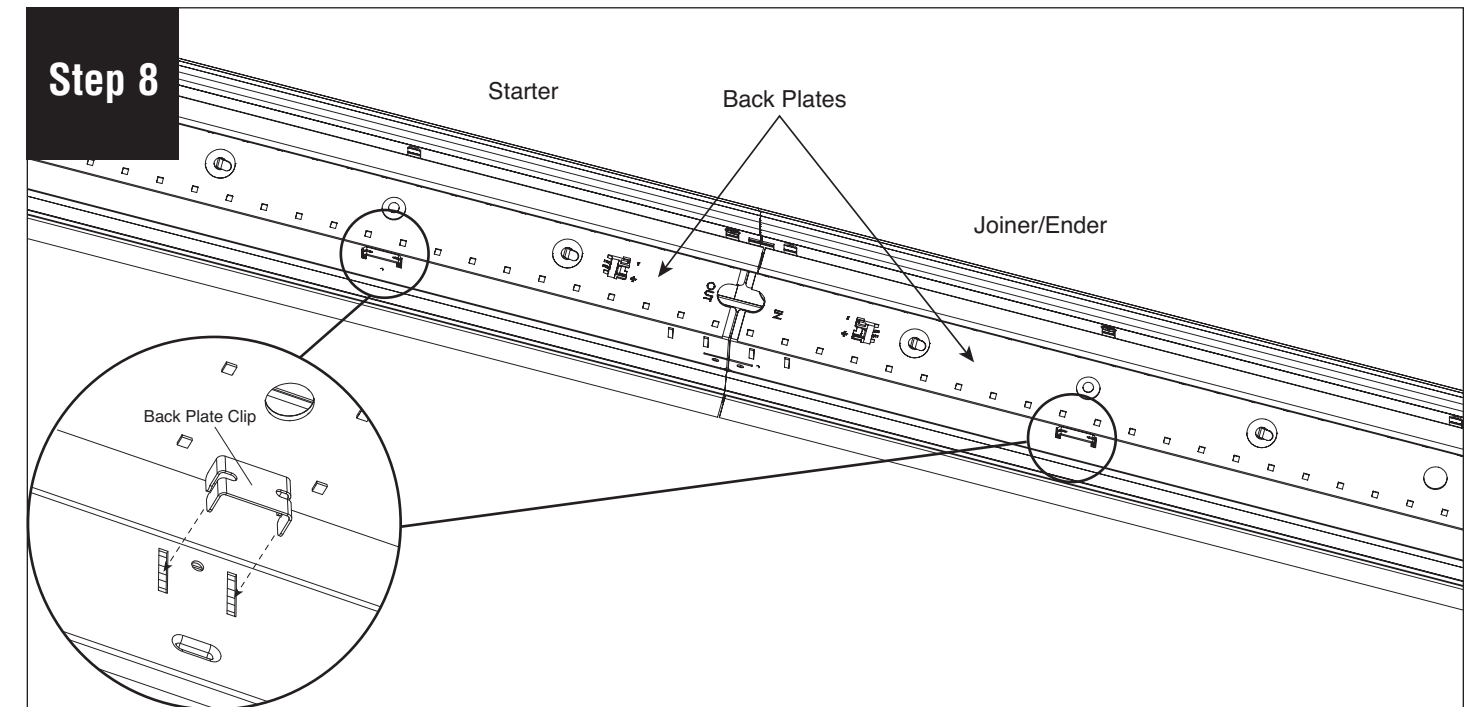
**IMPORTANT STEP:** Secure joint with two yoke brackets (provided) using #10-32 x 5/8" screws (provided). **CAUTION:** When installed correctly these brackets will pull luminaires together to make a tight joint. Do not over-tighten.

**Note:** All power connections to be installed to local/national codes by a Certified Electrician.

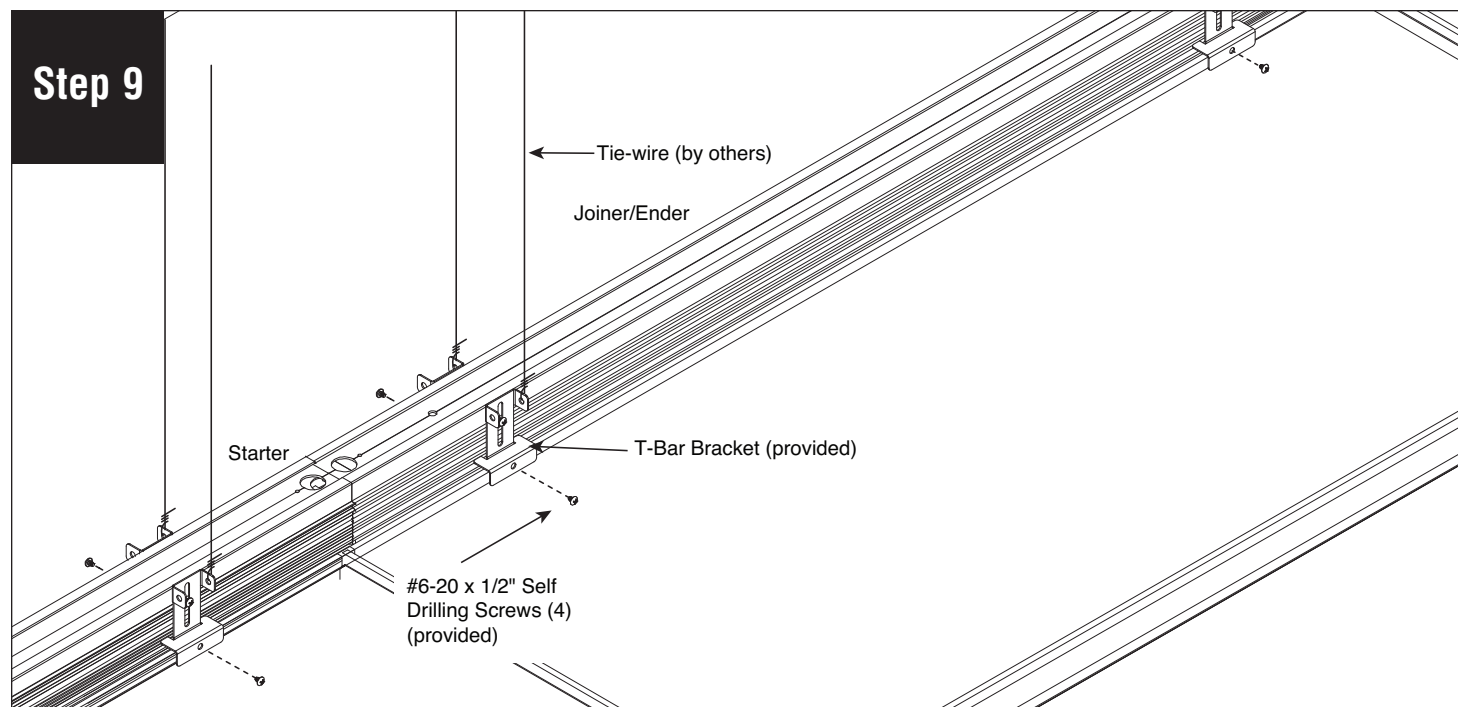
# HP-2 Recessed Flush Diffuser 1" Tegular Joiner/Ender Installation Instructions



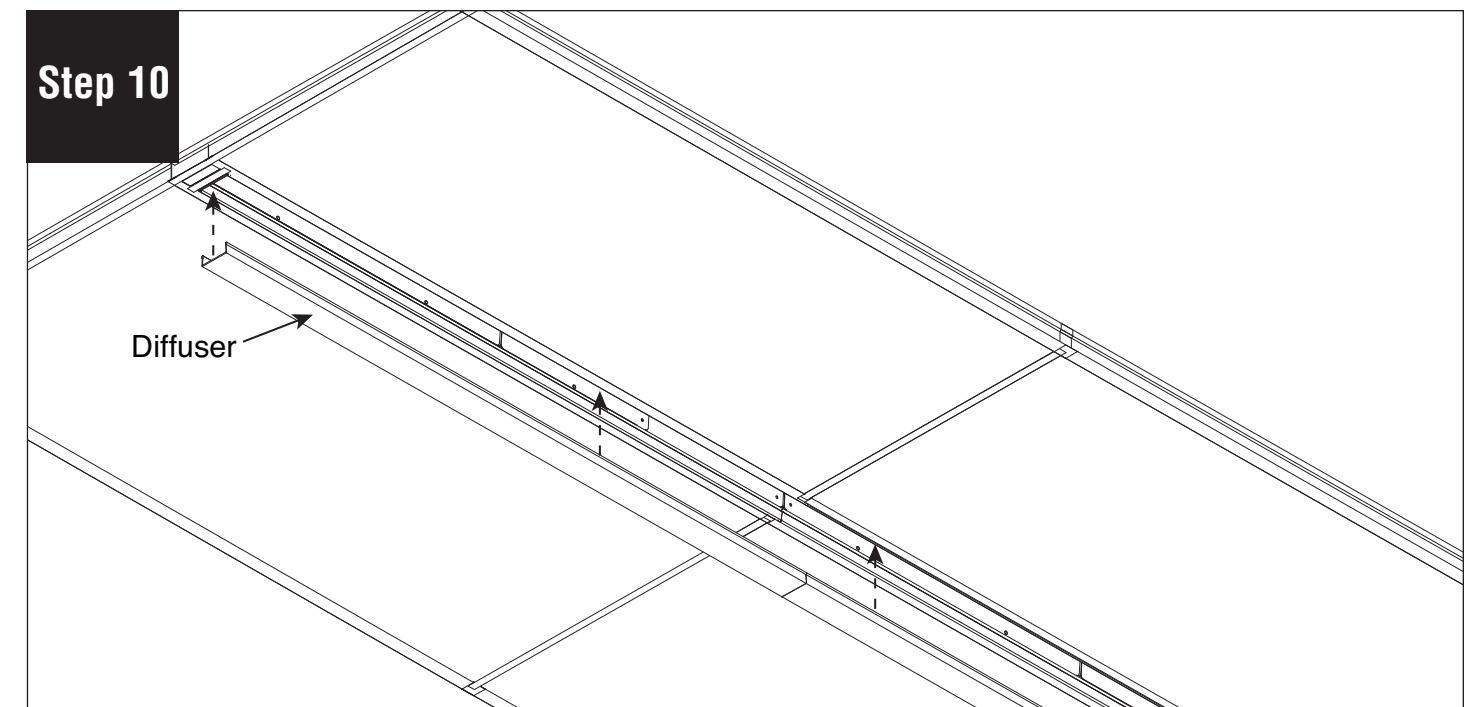
Connect plug-together connection.



Replace all back plates by holding them in their original position and pushing the clips back in. Make sure wire connections are not pinched. (If 1 ft. back plate assembly is near joint, reconnect feed harness to LED board.)



Secure all luminaires to the T-Bar by driving #6-20 x 1/2" self drilling screws (provided) through the T-Bar brackets (provided) into the T-Bar.



Reinstall diffusers and turn power on to luminaires.

**Note:** All power connections to be installed to local/national codes by a Certified Electrician.