

# HP-2 / HP-4 Wall Wash Recessed T-Bar Installation Instructions

## Overview

### NOTES

- All power connections should be installed according to local/national codes by a Certified Electrician.
- This installation requires **proper support** as each luminaire is being installed.
- **DO NOT attempt to join luminaires together on the floor.** Damage may result when lifted.



HELPFUL  
VIDEOS



0-10V  
Dimming



Universal &  
Robust Joints



Simple  
Plug-Together  
Wiring

**Step 1**  
T-Bar Dimensions,  
Mounting Types, & Electrical  
Connection Options  
**Pages 2-4**

**Step 2**  
Identification & Preparation  
**Page 5**

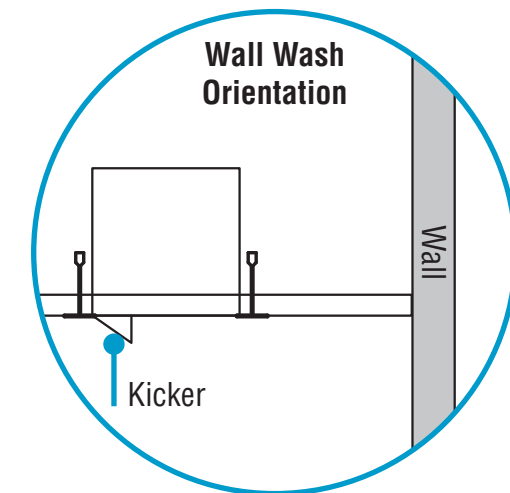
**Step 4**  
Opening Luminaires  
**Page 7**

**Step 5**  
Joining Luminaires  
**Page 8**

**Step 3**  
Mounting Starter to Structure  
**Page 6**

**Step 6**  
Securing Luminaire Joints  
**Page 9**

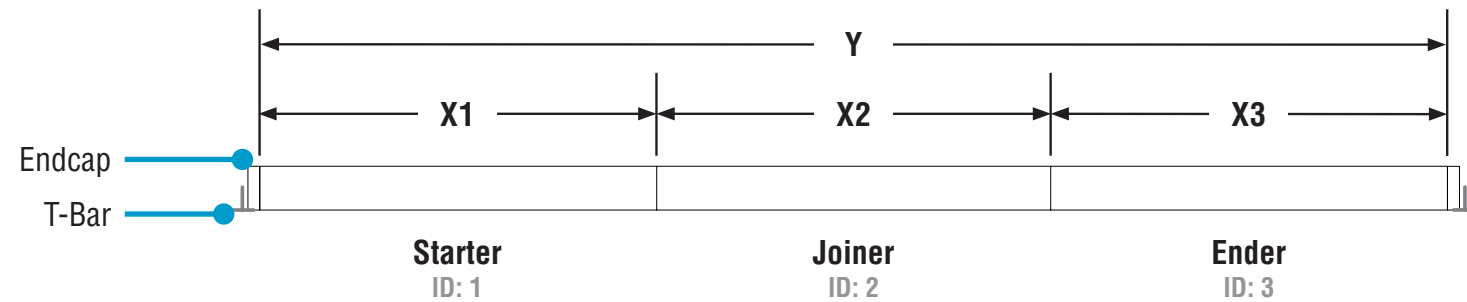
**Step 7**  
Closing Luminaires  
**Pages 10-11**



# HP-2 / HP-4 Wall Wash Recessed T-Bar Installation Instructions

## Step 1 - T-Bar Dimensions, Mounting Types, & Electrical Connection Options

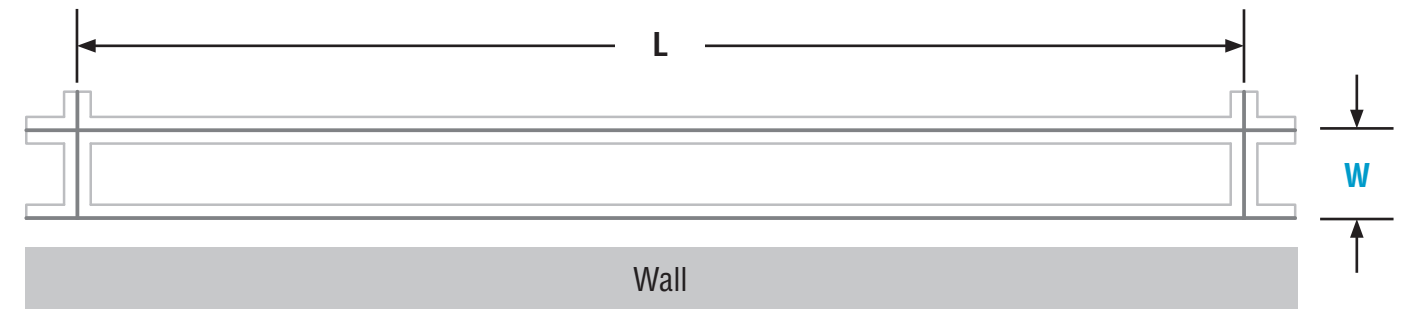
### Total Run Length



**X** = Luminaire section length (**Does not include** endcaps)  
**Y** = Total run length of luminaire (**Does not include** endcaps)

Refer to Record Drawings and building plans to determine exact mounting, suspension points, and power feed locations.

### T-Bar Build Dimensions



	L = Total Run T-Bar Length
HP-2 & HP-4	Y + 1-1/8"
HP-4 C1T (only)	Y + 1-5/8"

**W** = T-Bar width see page 3

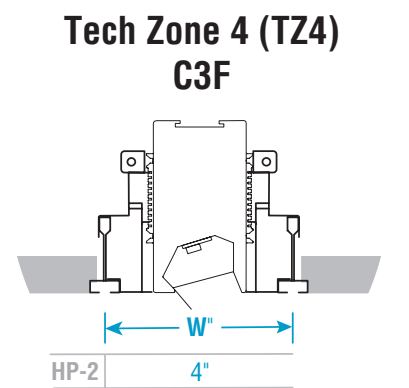
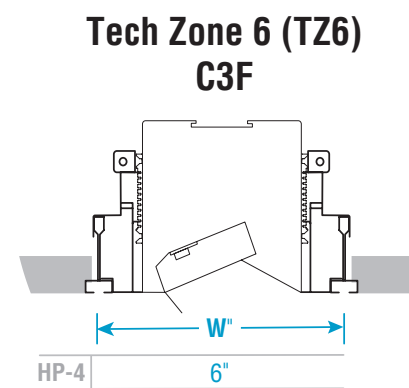
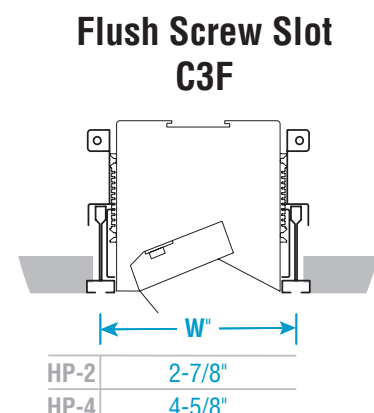
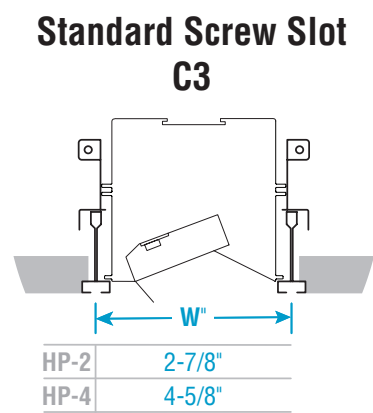
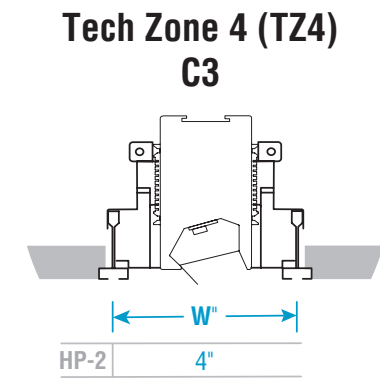
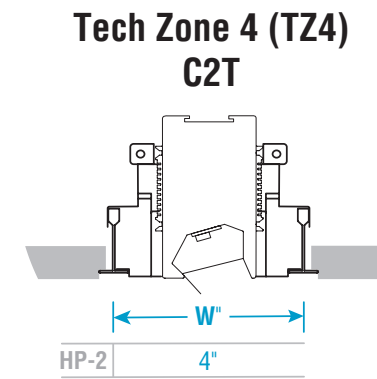
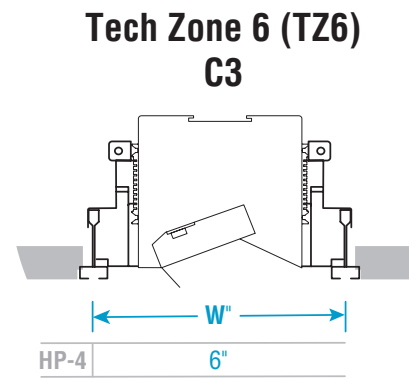
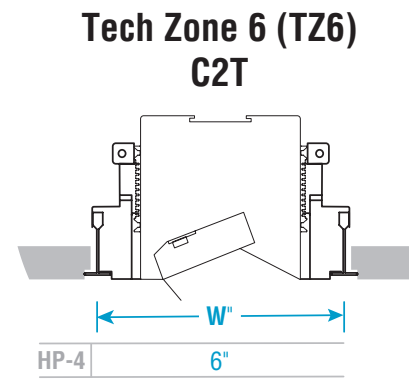
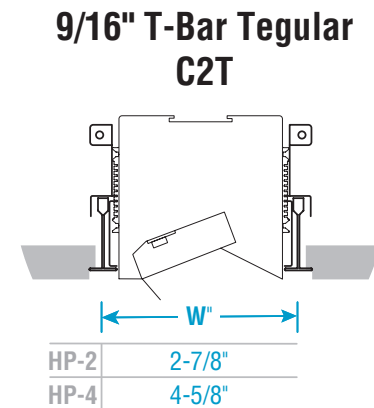
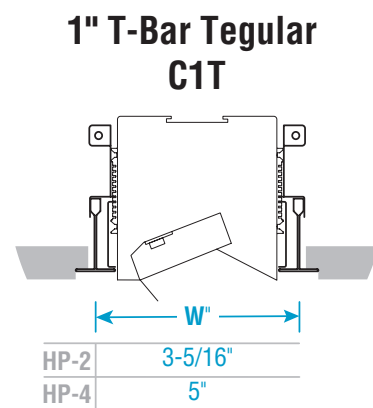
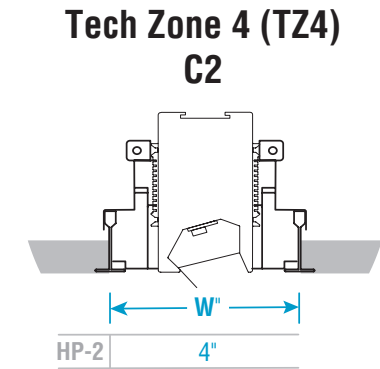
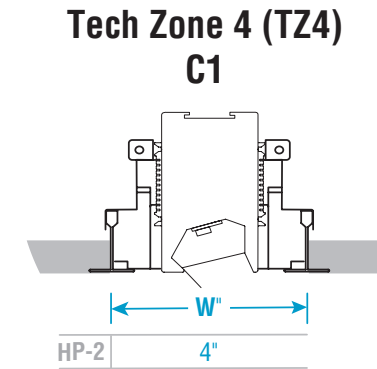
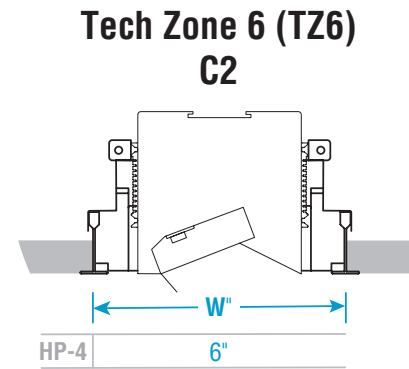
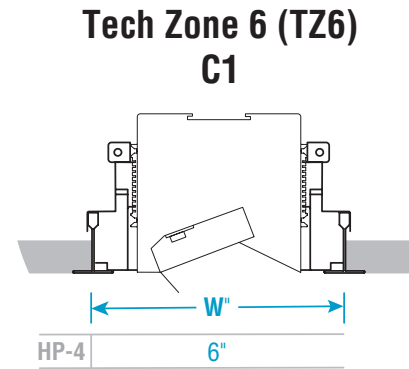
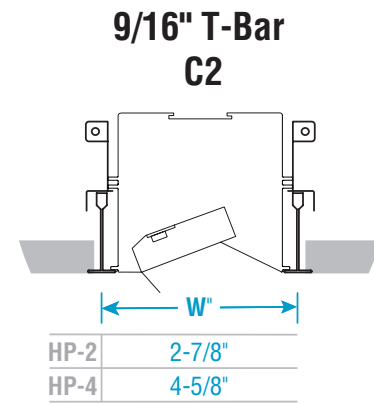
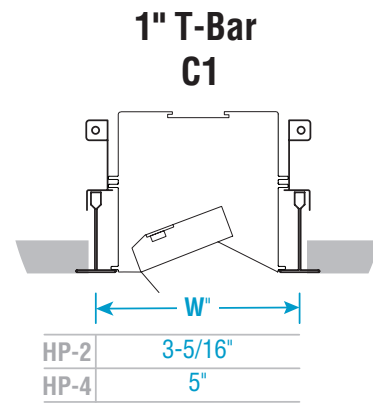
Center to center of T-Bar. Tolerance: +/- 1/16"

Construct T-Bar ceiling for luminaire placement based on length and width dimensions per diagram.

# HP-2 / HP-4 Wall Wash Recessed T-Bar Installation Instructions

## Step 1 - T-Bar Dimensions, Mounting Types, & Electrical Connection Options

**Mounting Types & Rough-Ins**



- **NOTE:** Only for standard 2x4 or 2x2 T-Bar ceiling, the starter luminaire is purposefully short by 1-1/8" to ensure fit in T-Bar types, shown above.
- The luminaire endcaps and end flanges cover any gaps and ensure smooth flush appearance at the ends.

W = T-Bar width

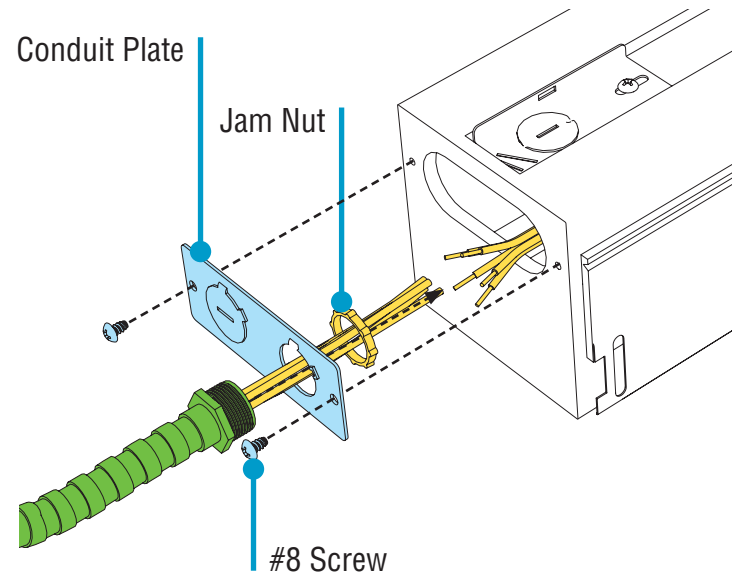
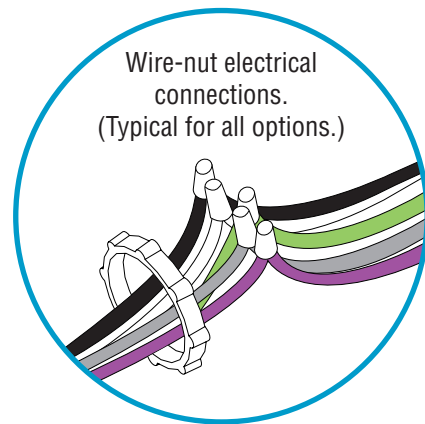
# HP-2 / HP-4 Wall Wash Recessed T-Bar Installation Instructions

## Step 1 - T-Bar Dimensions, Mounting Types, & Electrical Connection Options

### Electrical Connection Options

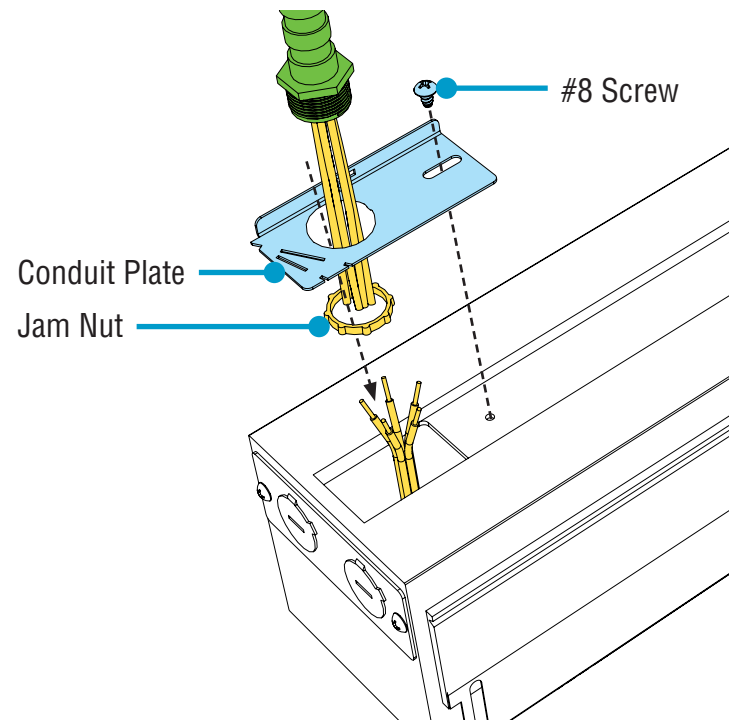
**WIRING LEGEND**

<b>Black</b>	Hot	Line Voltage
<b>White</b>	Neutral	Line Voltage
<b>Green</b>	Ground	
<b>Grey</b>	Dimming	0-10V DC
<b>Purple</b>	Dimming	0-10V DC



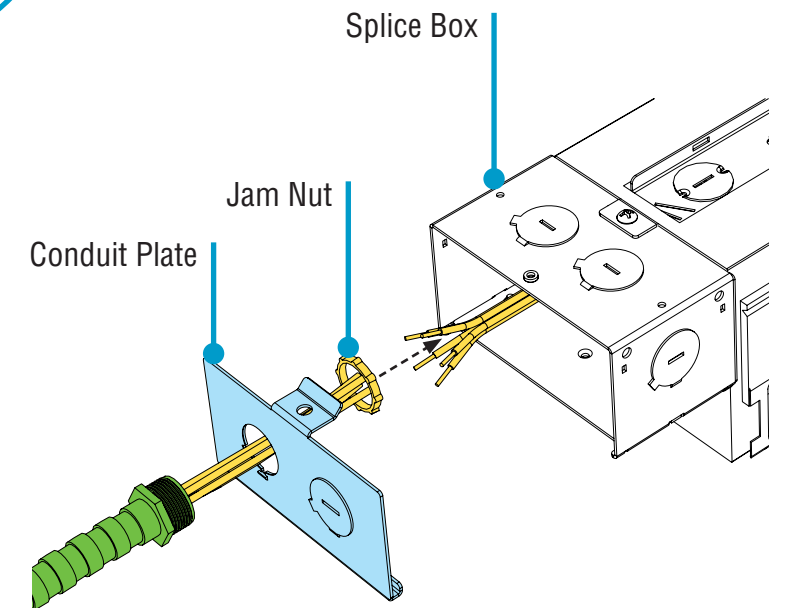
#### CONDUIT PLATE - ENDCAP (Standard)

- Remove two screws holding conduit plate.
- Install conduit and jam nut onto conduit plate.
- Wire-nut electrical connections. See wiring legend above.
- Reinstall conduit plate and screws. Do not damage any wires.



#### CONDUIT PLATE - TOP (Optional: HP-4 Only)

- Remove screw holding conduit plate.
- Install conduit and nut onto conduit plate.
- Wire-nut electrical connections. See wiring legend above.
- Reinstall conduit plate and screw. Do not damage any wires.



#### SPLICE BOX (Optional)

- Lift tab to unsnap and remove splice box cover.
- Install conduit and nut onto splice box cover.
- Wire-nut electrical connections. See wiring legend above.
- Reinstall splice box cover. Do not damage any wires.



0-10V  
Dimming

# HP-2 / HP-4 Wall Wash Recessed T-Bar Installation Instructions

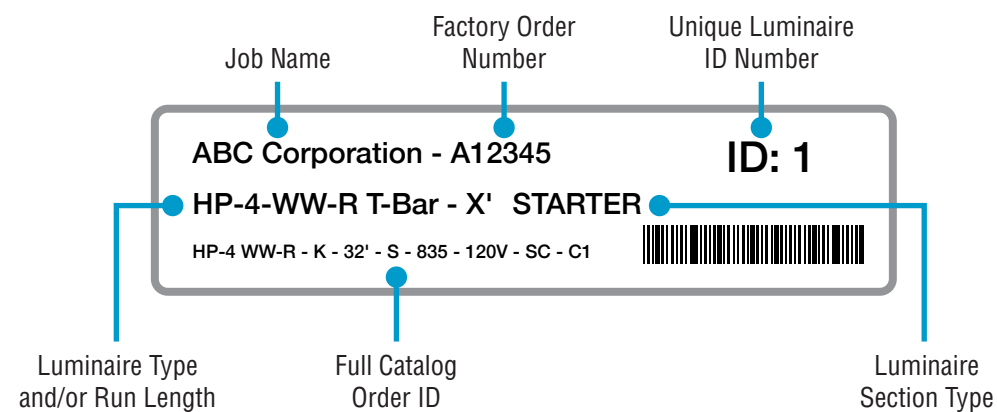
## Step 2 - Identification & Preparation

### A. Identify Luminaires



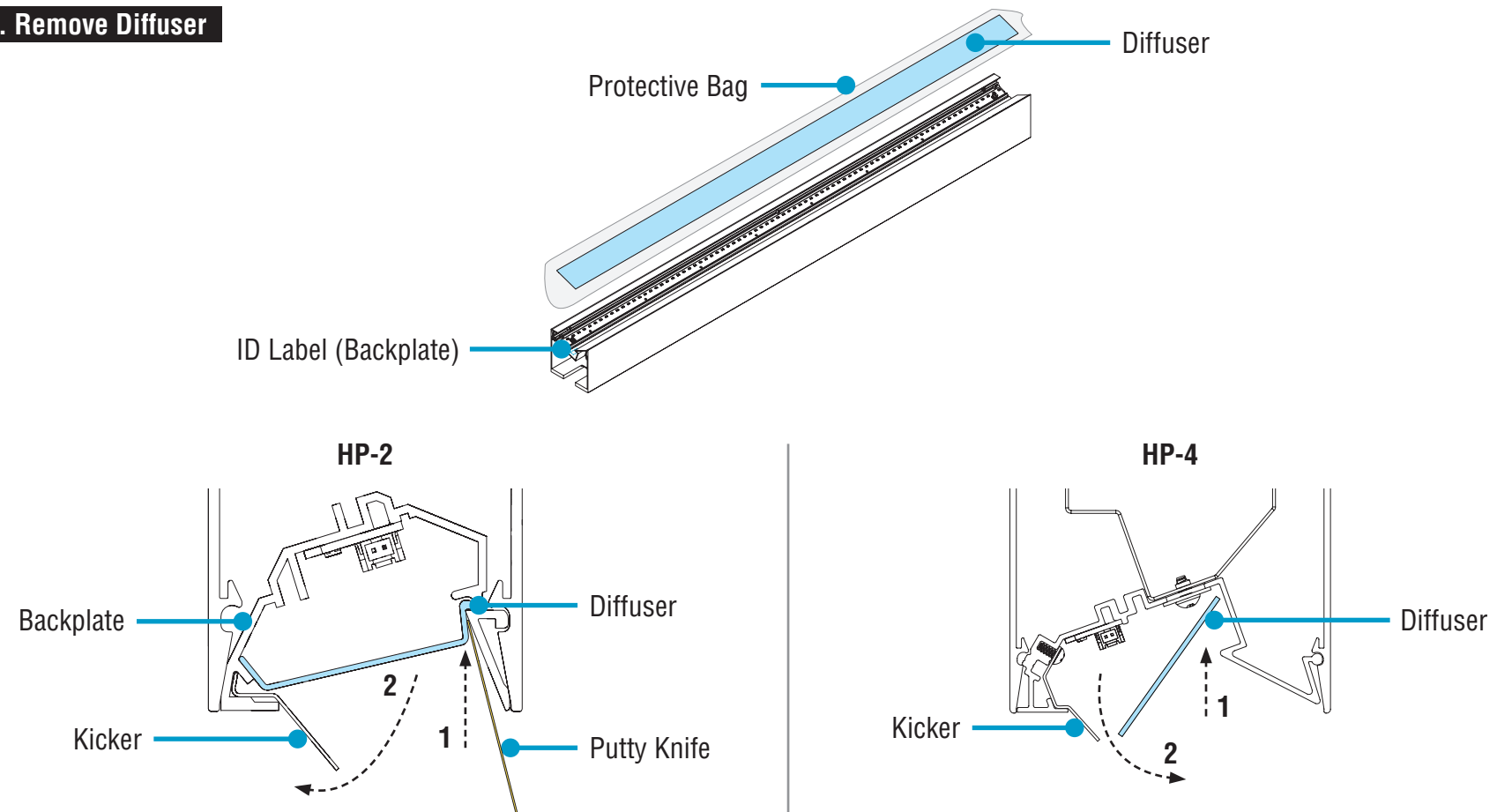
**CAUTION**

Arrange luminaires in order according to ID# at their install locations.



- Identify all luminaires by their ID label that can be found on the box, on the diffuser, and inside the luminaire.
- **NOTE:** Exact location of labels in these areas may vary.
- Remove all luminaires from their box.
- Refer to Record Drawings that can be found in the hardware kit.

### B. Remove Diffuser

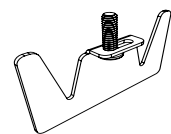


- **1.** Slide putty knife between the backplate and diffuser.
- **2.** Carefully separate diffuser from the backplate, keeping it inside its protective bag.
- Set aside all diffusers to prevent from getting dirty or damaged.
- Ensure diffuser can be clearly identified back to its corresponding luminaire.

- **1.** Push bottom edge of the diffuser into backplate.
- **2.** Slide diffuser out of backplate.
- Carefully remove all diffusers.
- Set aside all diffusers to prevent from getting dirty or damaged.
- Ensure diffusers can be clearly identified back to its corresponding luminaire.

### Kitted Hardware

- Finelite has provided items listed here, with their Finelite part numbers. These items can be found in separate boxes shipped with the luminaire.
- Account for all parts and set aside until they are needed.
- All other hardware needed for this installation will be by others.

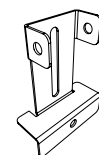


**Yoke Bracket**  
Part# 45042

**#10-32 x 5/8" Screw**  
Part# 94144  
Securing Luminaire Joints  
p. 8, Step 5



**#10 x 1/2" Screw**  
Part# 92081  
Closing Luminaires  
p. 11, Step 7



**T-Bar Bracket (C1, C2, C3)**  
Part# 45651

**T-Bar Bracket (TZ4)**  
Part# 45652

**T-Bar Bracket (C1T, C2T, C3F)**  
Part# 27038

**T-Bar Bracket (TZ6)**  
Part# 27040  
Closing Luminaires  
p. 10, Step 7



**#8-18 x 1/4" Screw**  
Part# 69026  
Opening Luminaires  
p. 7, Step 4  
Closing Luminaires  
p. 10, Step 7



**#6 Self-Drilling Screw**  
Part# 95054  
Closing Luminaires  
p. 10, Step 7

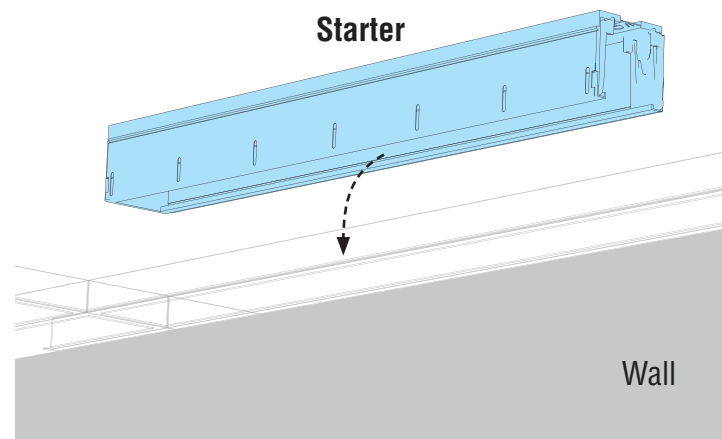


**1/4" Washer**  
Part# 94082  
Opening Luminaires  
p. 7, Step 4  
Closing Luminaires  
p. 10-11, Step 7

# HP-2 / HP-4 Wall Wash Recessed T-Bar Installation Instructions

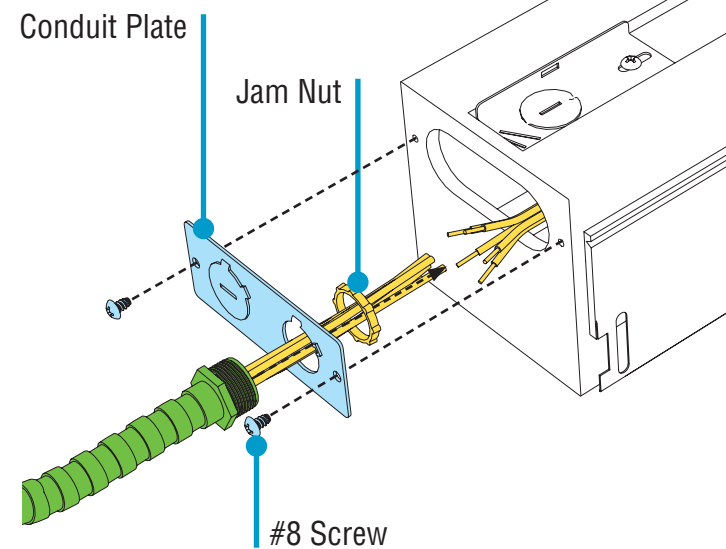
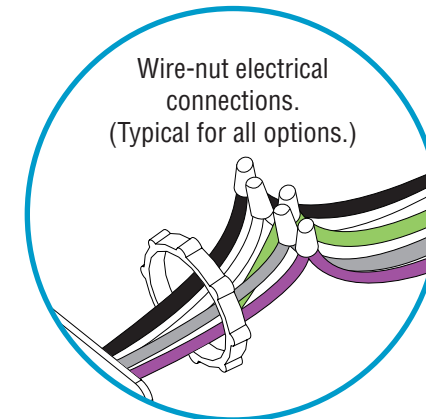
## Step 3 - Mounting Starter to Structure

### A. Mount Starter to Structure



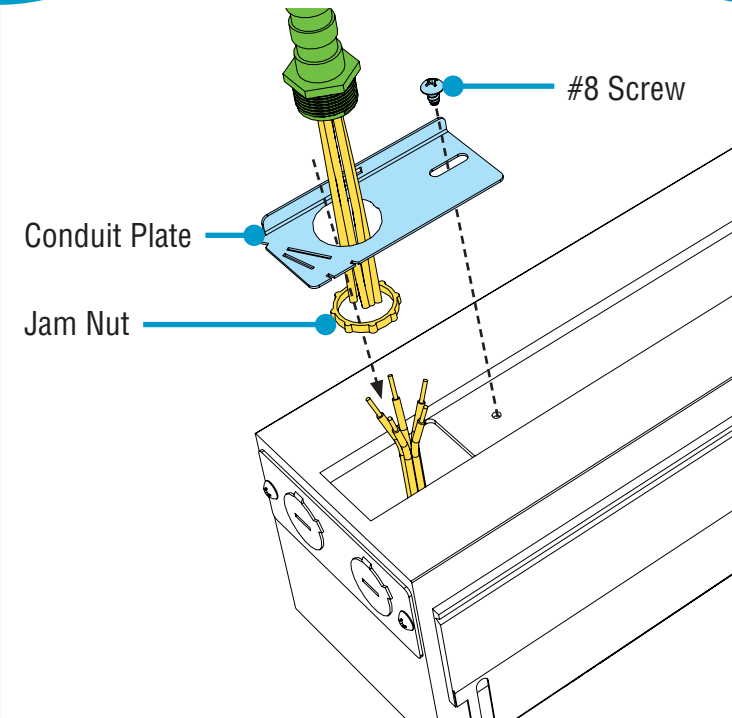
### Make Electrical Connections

WIRING LEGEND		
Black	Hot	Line Voltage
White	Neutral	Line Voltage
Green	Ground	
Grey	Dimming	0-10V DC
Purple	Dimming	0-10V DC



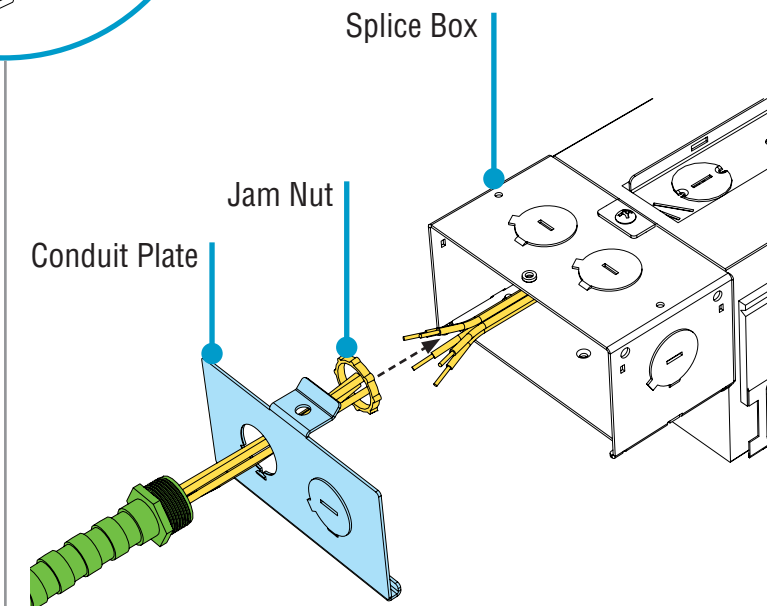
#### CONDUIT PLATE - ENDCAP (Standard)

- Remove two screws holding conduit plate.
- Install conduit and jam nut onto conduit plate.
- Wire-nut electrical connections. See wiring legend above.
- Reinstall conduit plate and screws. Do not damage any wires.



#### CONDUIT PLATE - TOP (Optional: HP-4 Only)

- Remove screw holding conduit plate.
- Install conduit and nut onto conduit plate.
- Wire-nut electrical connections. See wiring legend above.
- Reinstall conduit plate and screw. Do not damage any wires.



#### SPLICE BOX (Optional)

- Lift tab to unsnap and remove splice box cover.
- Install conduit and nut onto splice box cover.
- Wire-nut electrical connections. See wiring legend above.
- Reinstall splice box cover. Do not damage any wires.

- Maneuver luminaire into ceiling space above T-Bar ceiling.
- Lower luminaire into place onto T-Bar.
- If part of an independent run, **PROCEED TO STEP 7** after making electrical connections.

 Flex Conduit  
(by others)



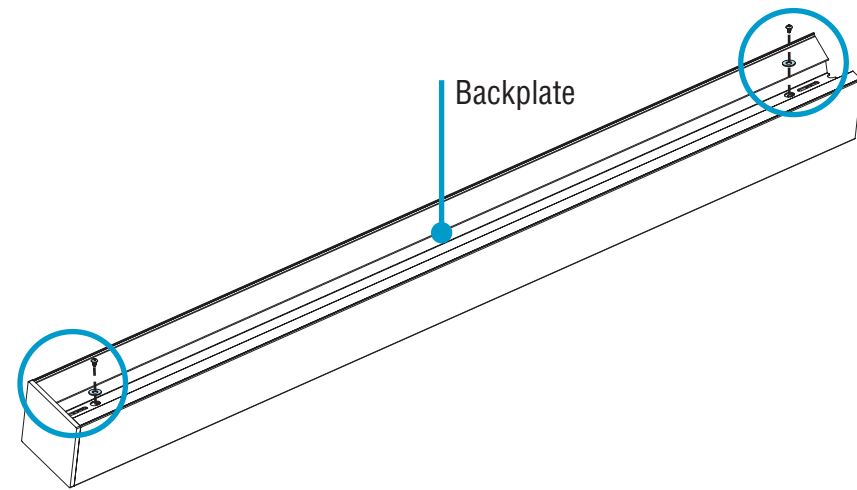
0-10V  
Dimming



# HP-2 / HP-4 Wall Wash Recessed T-Bar Installation Instructions

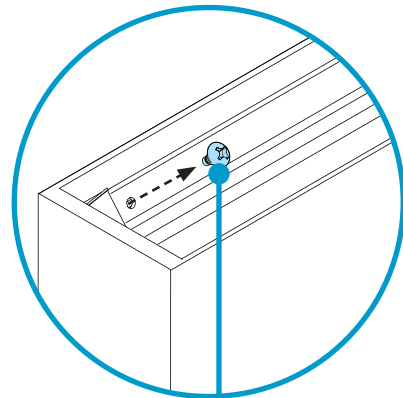
## Step 4 - Opening Luminaires

### A. Release Backplates

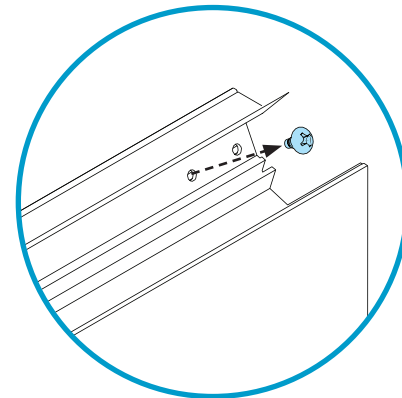


HP-2

HP-4

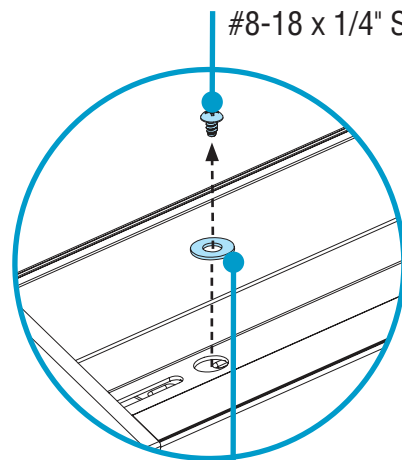


#8-18 x 1/4" Screw (provided)



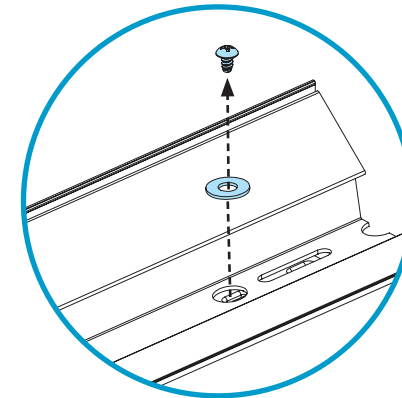
- Release backplate from luminaire body by removing the #8-18 x 1/4" screw from both ends of the luminaire.

• **CAUTION:** Set these screws aside. Do not lose.



#8-18 x 1/4" Screw (provided)

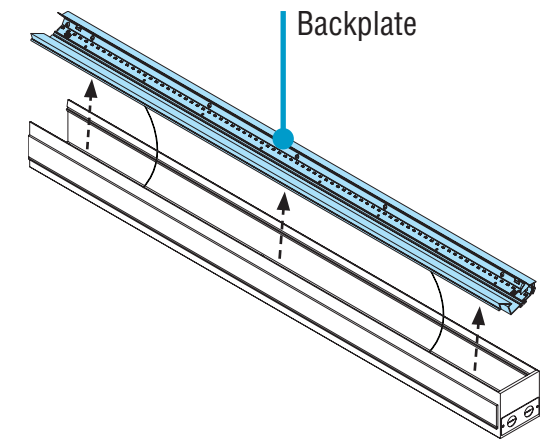
1/4" Washer (provided)



- Release backplate from luminaire body by removing the #8-18 x 1/4" screw and 1/4" washer from both ends of the luminaire.

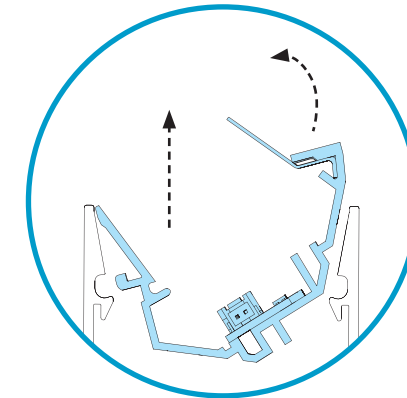
• **CAUTION:** Set these screws and washers aside. Do not lose.

### B. Remove Backplates

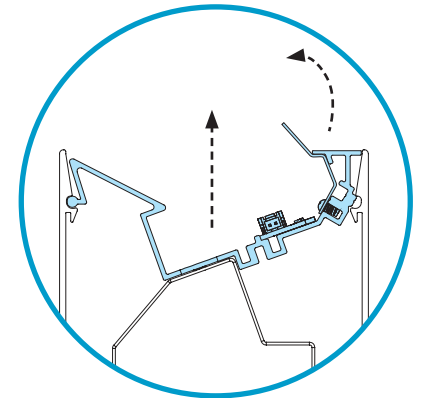


HP-2

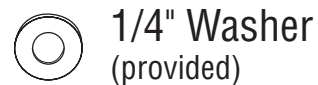
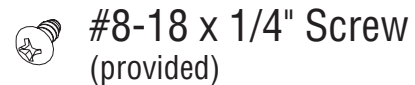
HP-4



- Remove backplates by rotating then lifting **up and out** of the luminaire body.
- Keep backplate hanging with safety cables connected.



- Remove backplates by rotating then lifting **up and out** of the luminaire body.
- Keep backplate hanging with safety cables connected.



# HP-2 / HP-4 Wall Wash Recessed T-Bar Installation Instructions

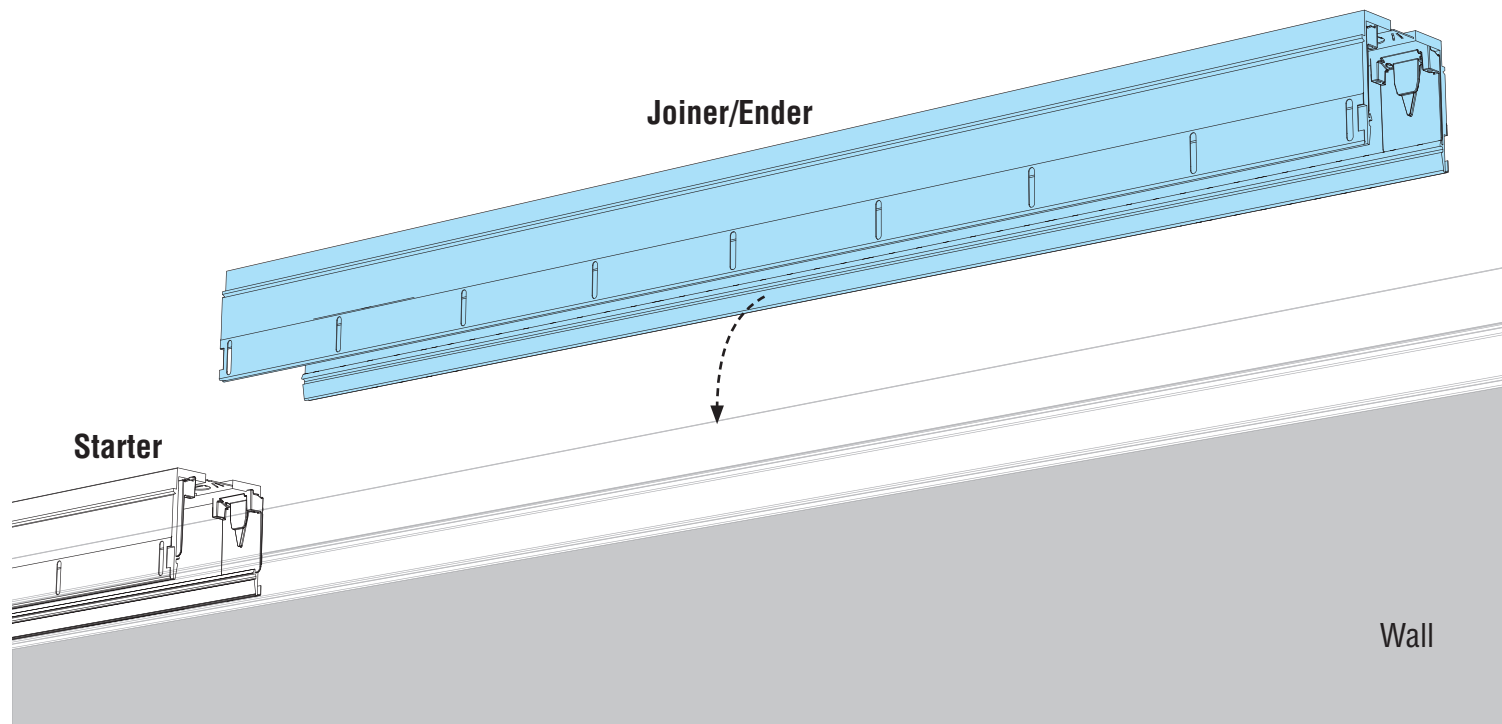
## Step 5 - Joining Luminaires

### A. Mount Joiner/Ender to Structure



CAUTION

**DO NOT** attempt to join luminaires together on the floor. Damage may result when lifted. Follow these instructions.



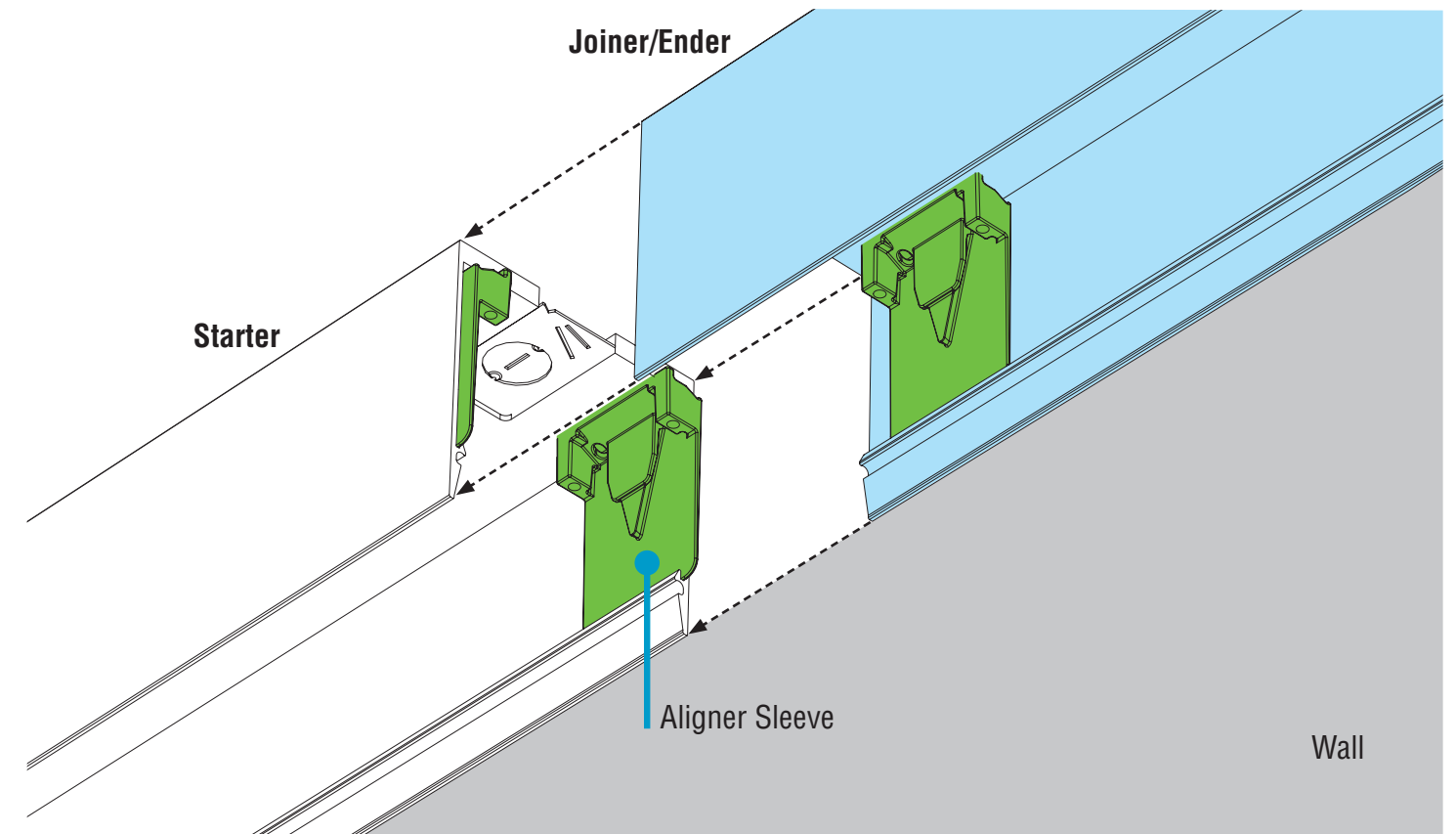
- Maneuver joiner/ender into ceiling space above T-Bar ceiling.
- Lower joiner/ender into place onto T-Bar.
- Remove backplate as shown in Step 4.

### B. Join Luminaires



CAUTION

Once luminaires are aligned together, **joiner luminaire is not yet secure.** Ensure it does not slide off as it rests on the starter luminaire.



- Align joiner/ender with aligner sleeves on starter and slide together. Be careful not to damage any wiring.
- If necessary, **lift** both luminaires, then slide together.



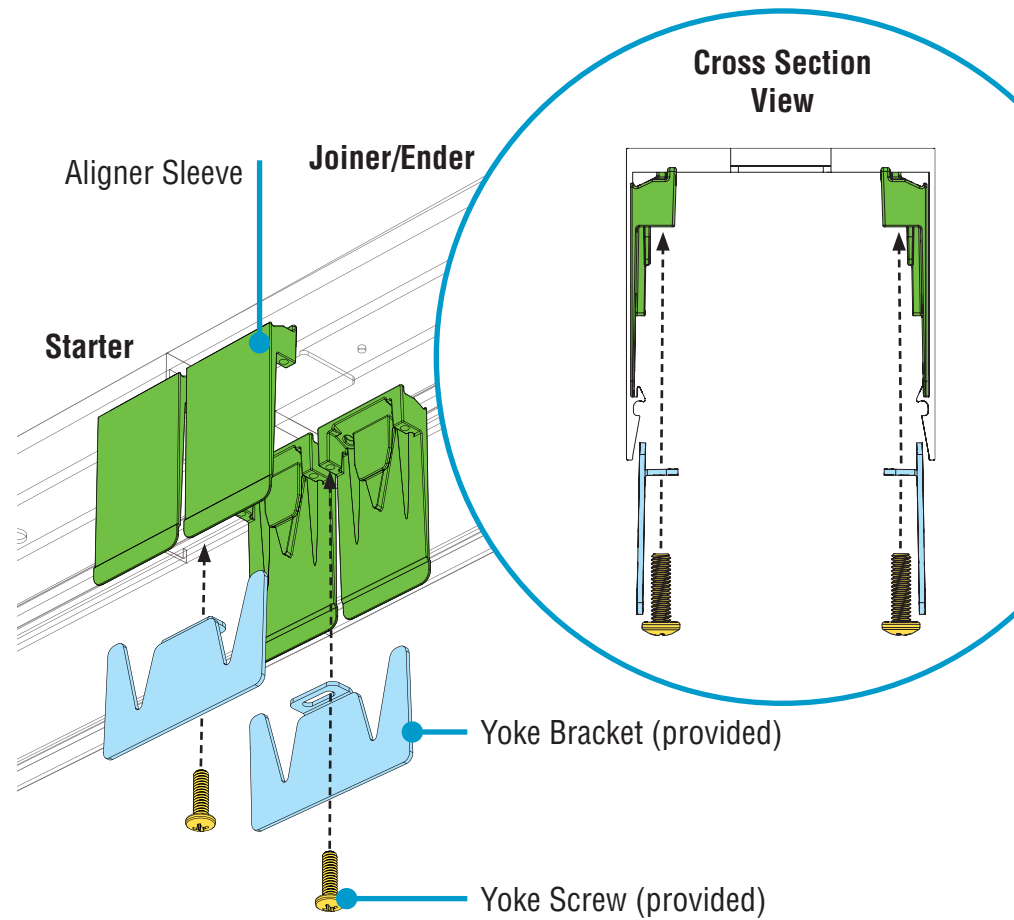
Universal &  
Robust Joints



# HP-2 / HP-4 Wall Wash Recessed T-Bar Installation Instructions

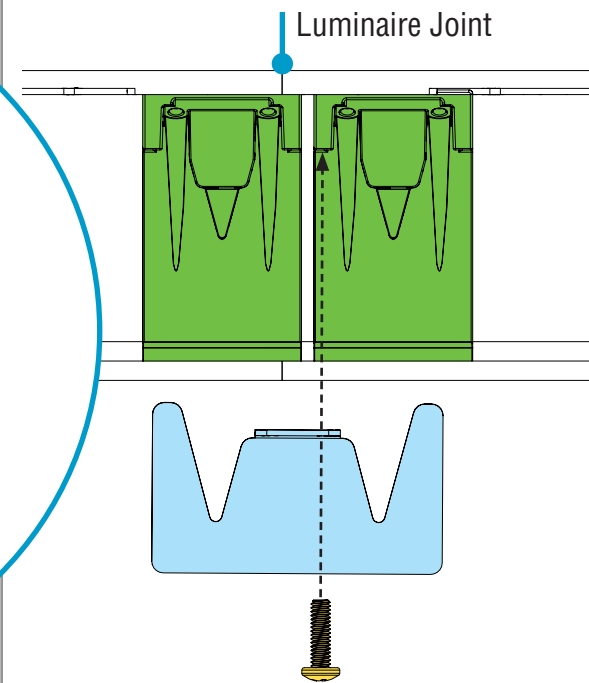
## Step 6 - Securing Luminaire Joints

### A. Secure Joint with Yoke Brackets

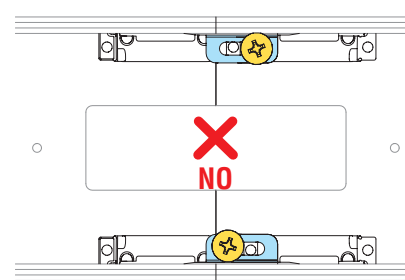


- Before installing yoke brackets, ensure the joining ends of luminaires meet flush and square.
- **CRITICAL:** Ensure yoke brackets properly engage with aligner sleeves.
- Secure joint by using a screwdriver<sup>1</sup> to tighten yoke screws through yoke brackets and into the aligner sleeves until joint seam of luminaire is closed.

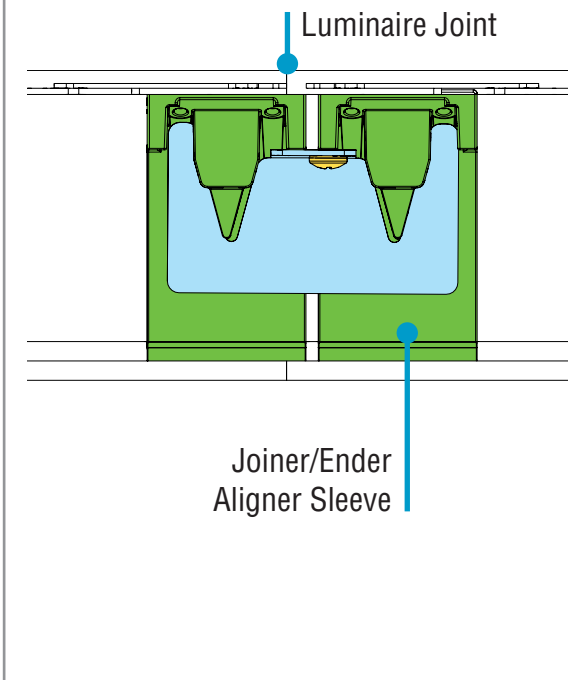
### IN ALIGNMENT



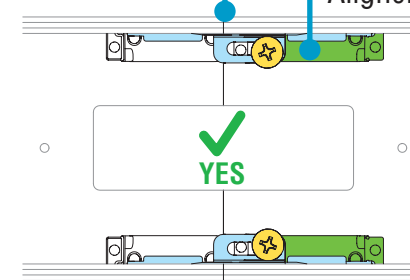
### YOKE SCREW ALIGNMENT Bottom-Up View



### CORRECTLY INSTALLED

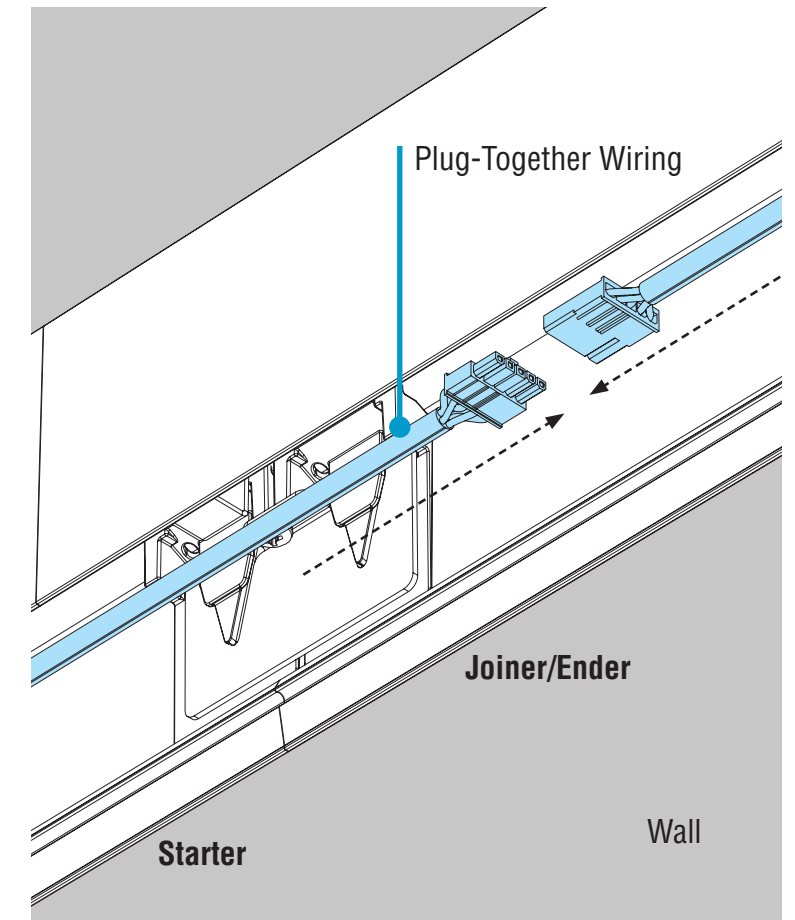


### Luminaire Joint Joiner/Enders Aligner Sleeve

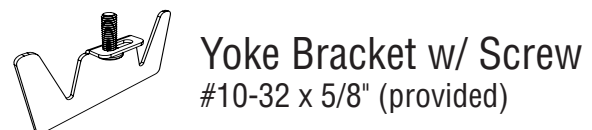


**NOTE:** Yoke screws should be installed directly across from each other, not diagonally, and in holes furthest from the joint line. One yoke screw per one yoke bracket.

### B. Make Electrical Connections



- Connect plug-together wiring.

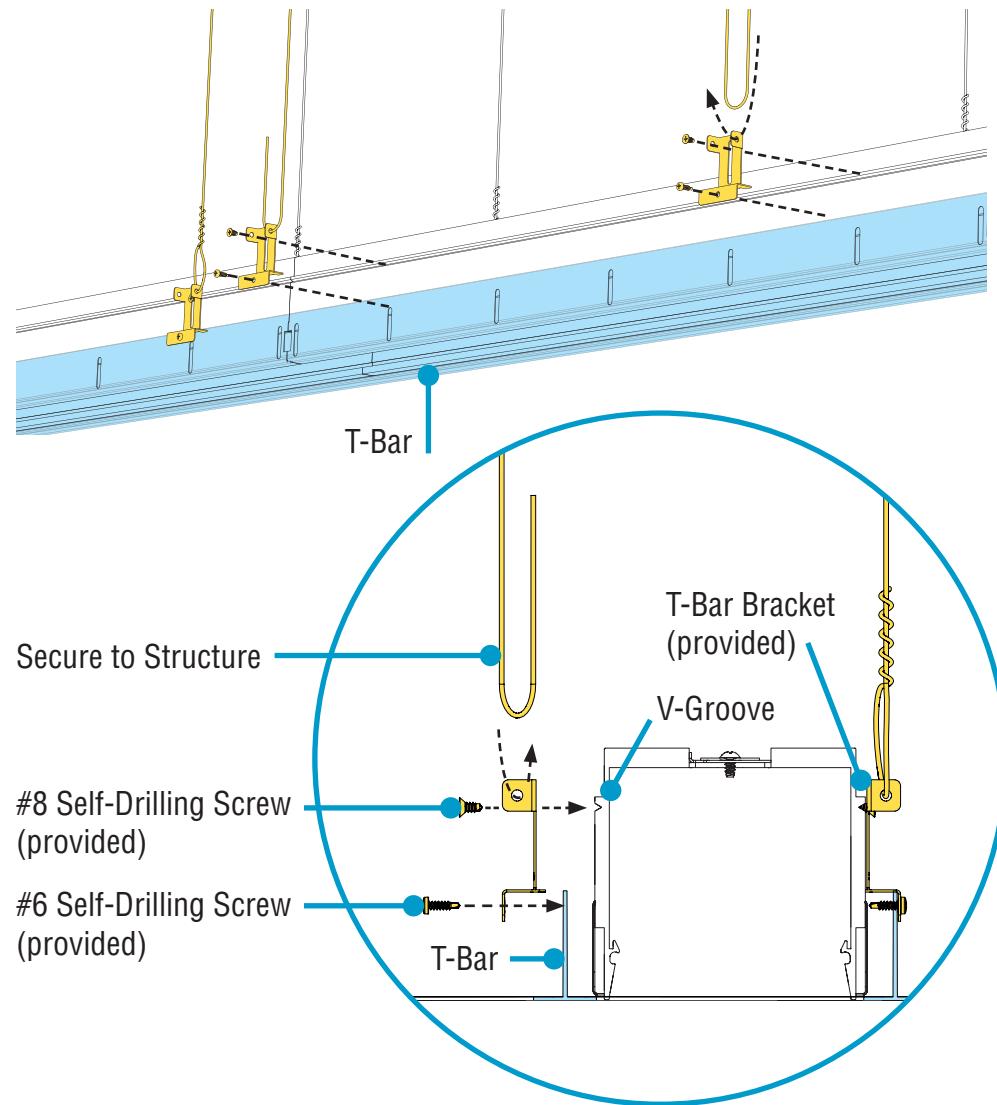


<sup>1</sup> Screwdriver with 6" bit required.

# HP-2 / HP-4 Wall Wash Recessed T-Bar Installation Instructions

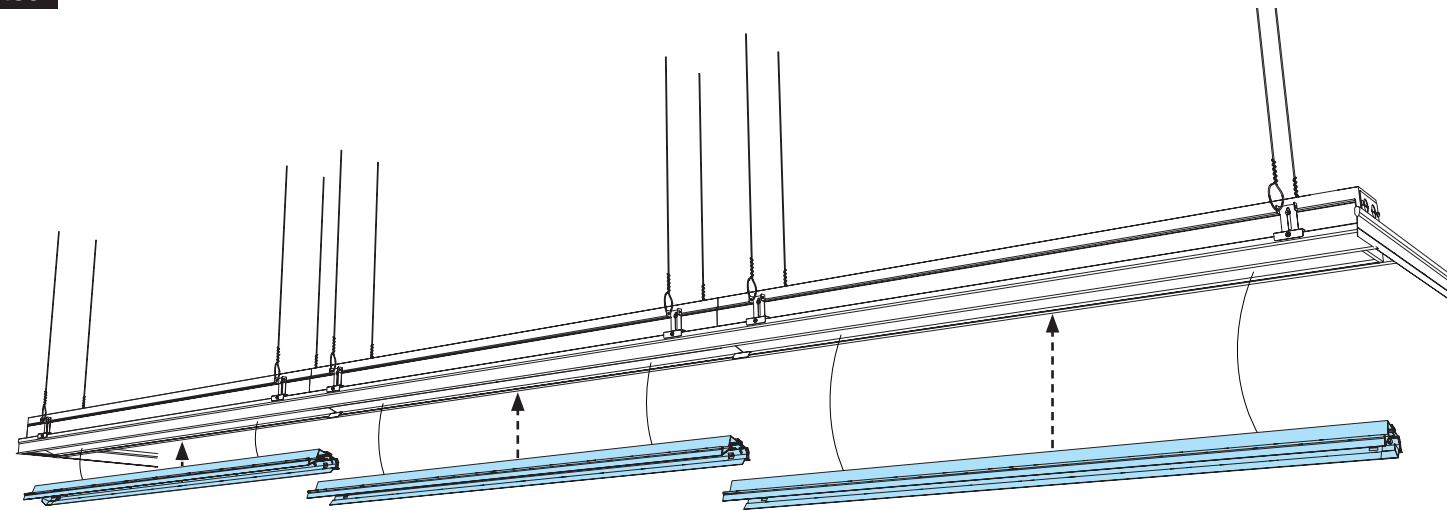
## Step 7 - Closing Luminaires

### A. Secure to Structure

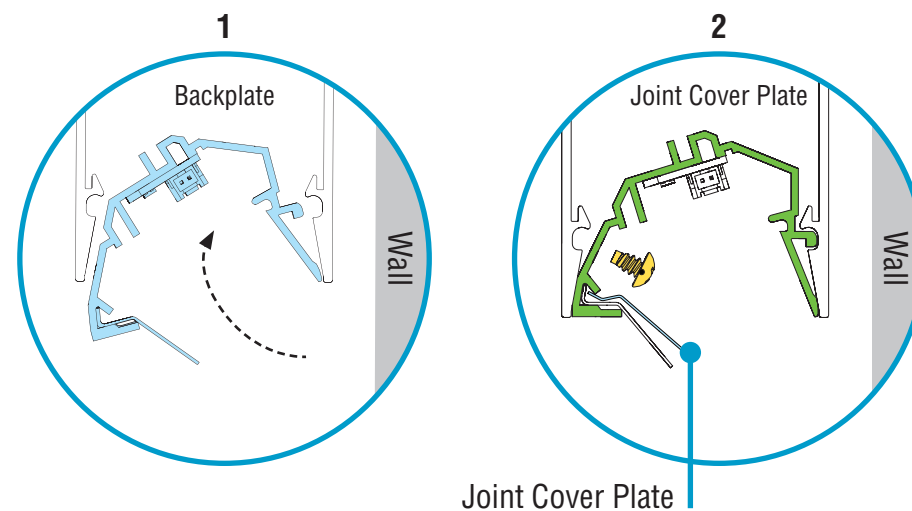


- Use #8 self-drilling screws to mount brackets onto luminaire. Drill the screw into the v-groove screw channel.
- Secure luminaire to building structure using tie-wires, as per code.
- Use #6 self-drilling screws to mount T-Bar brackets to T-Bar ceiling.
- **CAUTION: Do not over-tighten. Use these screws to control centering of the luminaire between the T-Bars on both sides.**

### B. Replace Backplates

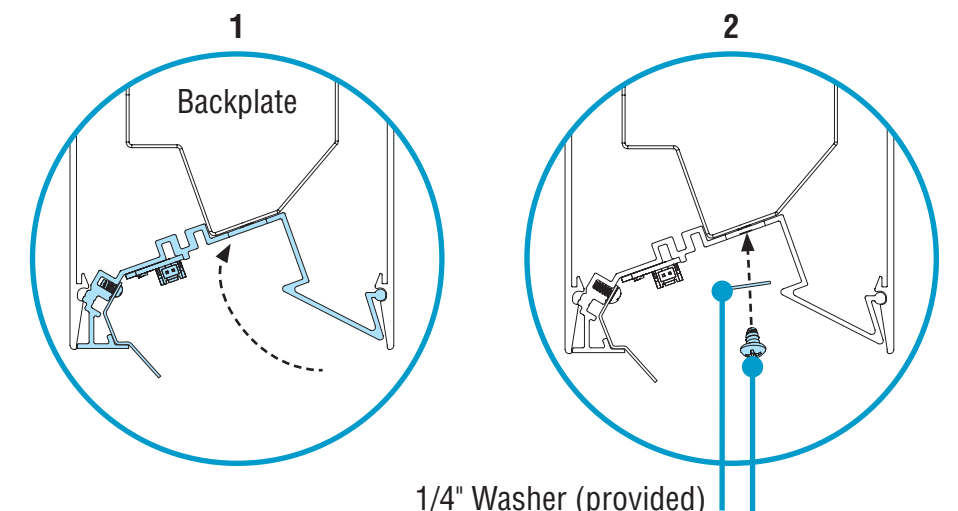


#### HP-2

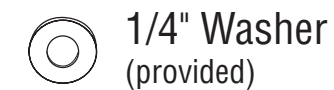
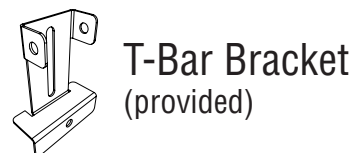


- 1. Carefully reinstall backplate into luminaire by inserting and rotating.
- 2. Install joint cover plate by inserting into backplate and installing two #8-18 x 1/4" screws at the joint. **PROCEED TO STEP 7D.**

#### HP-4



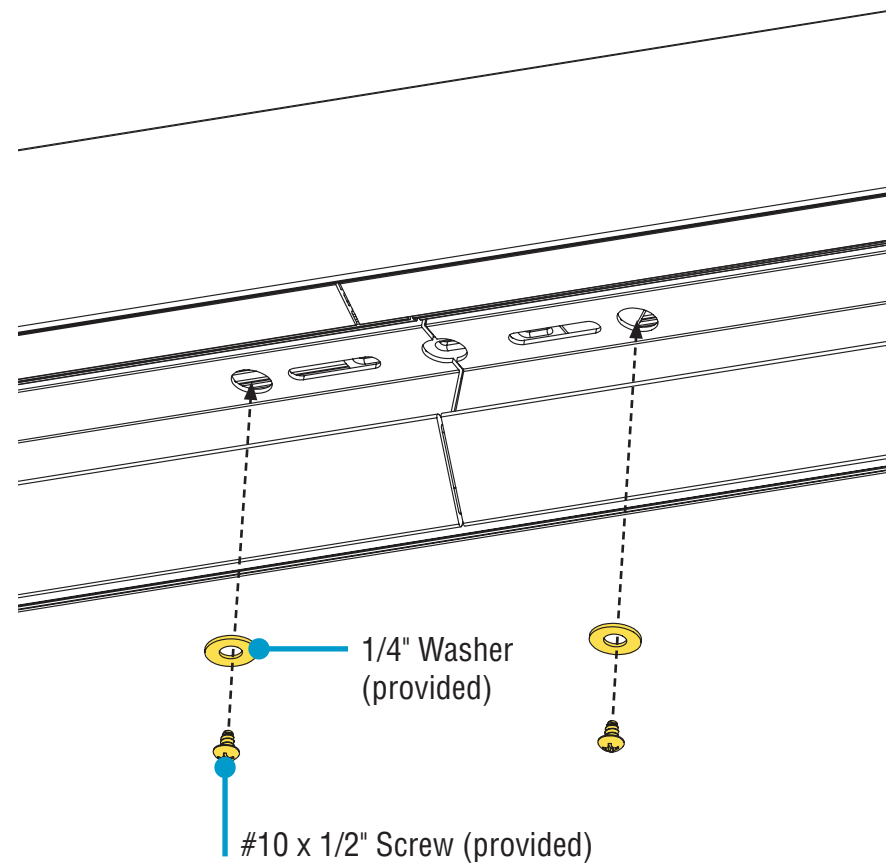
- 1. Carefully reinstall backplate into luminaire by inserting and rotating.
- 2. Install 1/4" washer and #8-18 x 1/4" screw to backplate at both ends of the luminaire.



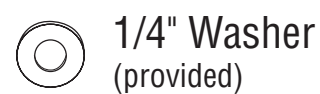
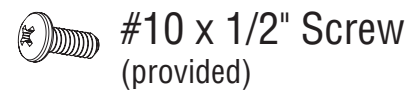
# HP-2 / HP-4 Wall Wash Recessed T-Bar Installation Instructions

## Step 7 - Closing Luminaires

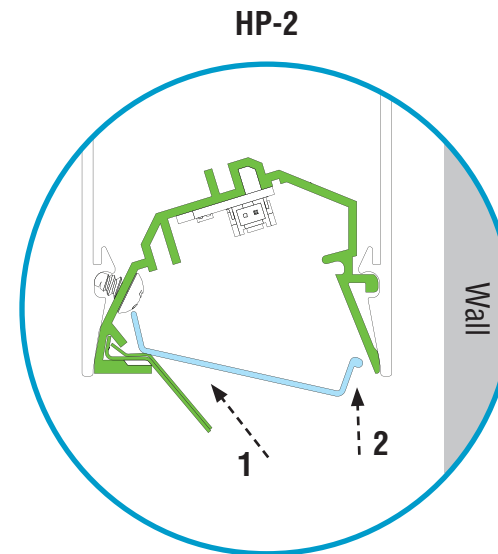
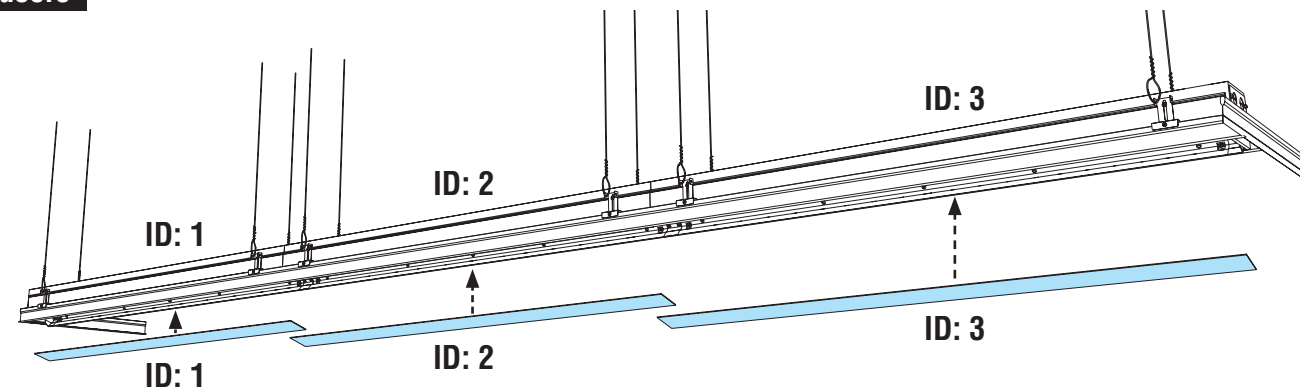
### C. Secure Joint with #10 x 1/2" Screws HP-4 Only



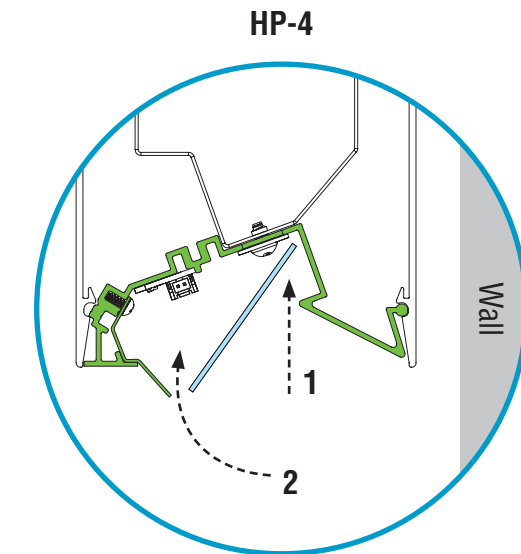
- Install 1/4" washers and #10 x 1/2" screws at the joint.



### D. Final Step - Replace Diffusers



- **NOTE:** If your installation includes a battery backup, please see addendum (98333) that should be included with your kitting package.
- Remove diffusers from protective plastic bag.
- **CAUTION:** Wear gloves to keep diffuser surface clean.
- **CRITICAL:** Be sure to install correct diffuser to its corresponding luminaire ID.
- Install diffusers into luminaire body, ensuring they are in place.
- 1. Slide the side of the diffuser without a notch into the luminaire.
- 2. Push the side of the diffuser that has a notch until click sound is heard.
- Turn power on to luminaire.



- **NOTE:** If your installation includes a battery backup, please see addendum (98333) that should be included with your kitting package.
- Remove diffusers from protective plastic bag.
- **CAUTION:** Wear gloves to keep diffuser surface clean.
- **CRITICAL:** Be sure to install correct diffuser to its corresponding luminaire ID.
- Install diffusers into luminaire body, ensuring they are in place.
- 1. Reinstall diffusers by pushing right side of the diffuser into the backplate.
- 2. Push the left side of diffuser until it lays flat on the backplate.
- Turn power on to luminaire.