

# HP-2 / HP-4 Wall Wash Recessed Spackle & Visible Flange Installation Instructions Overview

## NOTES

- All power connections should be installed according to local/national codes by a Certified Electrician.
- This installation requires **proper support** as each luminaire is being installed.
- **DO NOT attempt to join luminaires together on the floor.** Damage may result when lifted.



HELPFUL VIDEOS



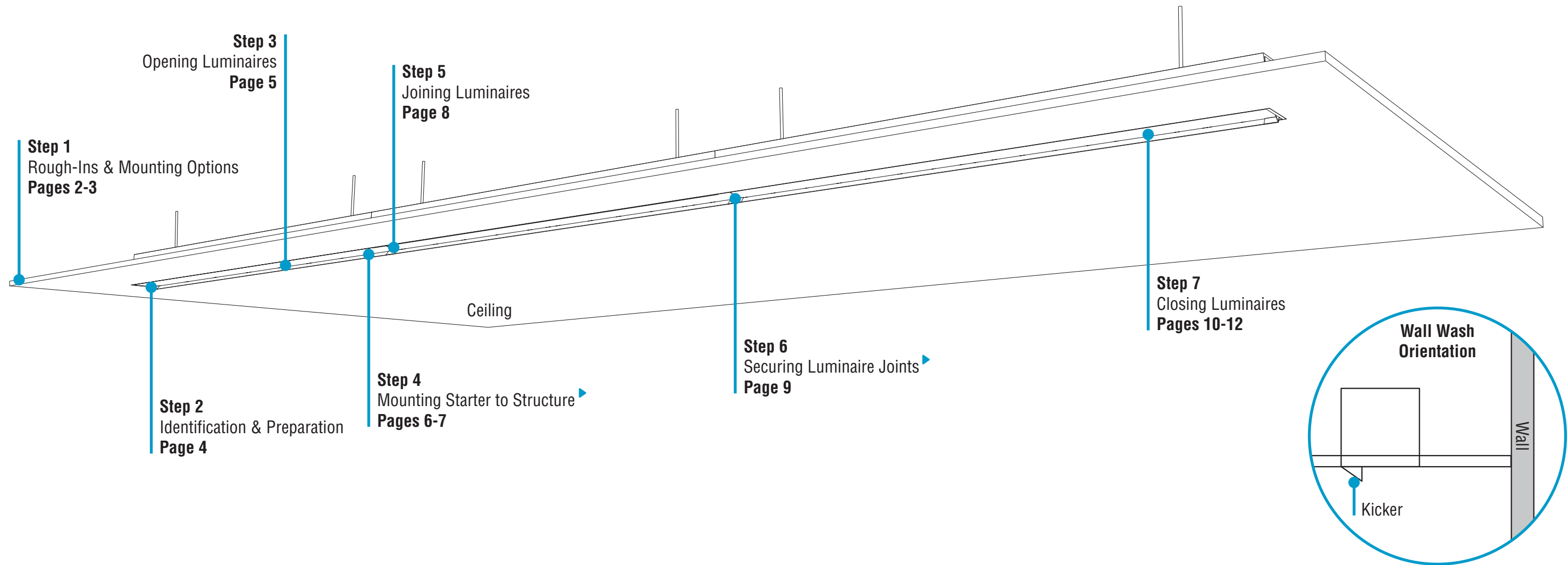
0-10V Dimming



Universal & Robust Joints



Simple Plug-Together Wiring



# HP-2 / HP-4 Wall Wash Recessed Spackle & Visible Flange Installation Instructions

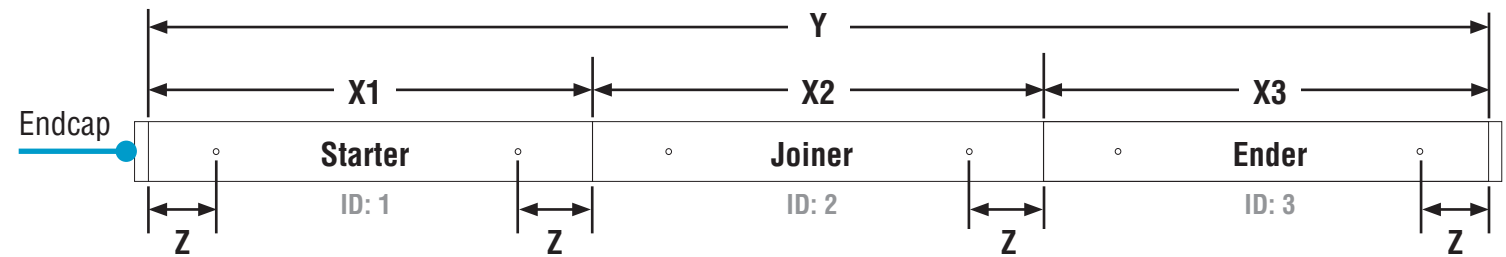
## Step 1 - Rough-Ins & Mounting Options

### Mount Starter to Structure

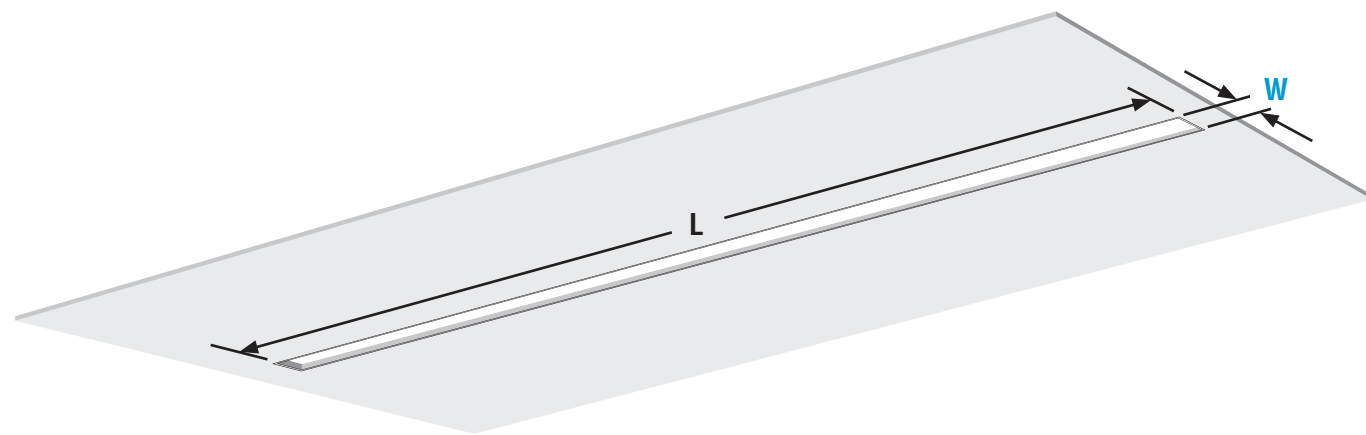
X = Luminaire section length (Does not include endcaps)  
 Y = Total run length of luminaire (Does not include endcaps)  
 Z = Mounting hole location

	Z = Mounting Hole Location (Does not include endcaps)
HP-2	5"
HP-4	6"

Refer to Record Drawings and building plans to determine exact mounting, suspension points, and power feed locations.



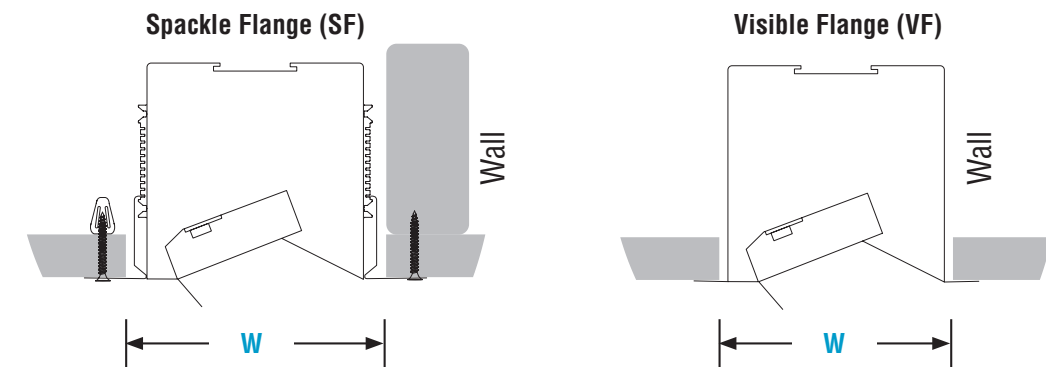
### Rough-In Lengths



	L = Total Run Rough-In Length*	
	Spackle Flange	Visible Flange
HP-2	Y + 7/8"	Y + 5/8"
HP-4	Y + 1-1/8"	Y + 7/8"

\* Tolerance +/- 1/16"

### Rough-In Widths



	W = Rough-In Width*	
	Spackle Flange	Visible Flange
HP-2	3-1/8"	2-1/2"
HP-4	4-7/8"	4-1/4"

\* Tolerance +/- 1/16"

- Use rough-in **Length & Width** dimensions and Record Drawings to determine rough-in measurements.
- Build wall/ceiling with rough-in according to rough-in dimensions.
- **CRITICAL:** Drywall or weak paneling must be secured to blocking (studs) around rough-in opening in the wall/ceiling.

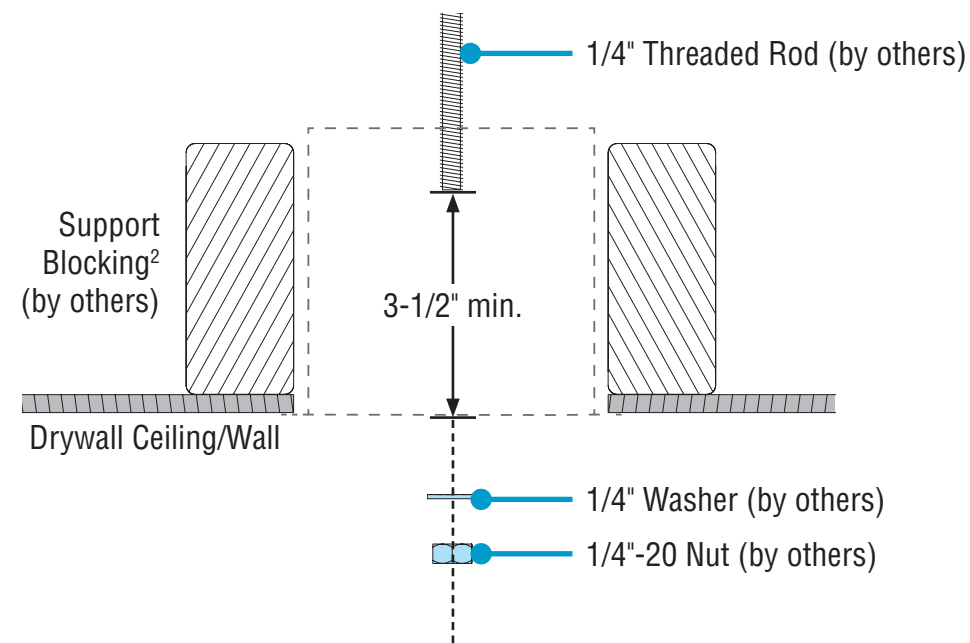
CONTINUED

# HP-2 / HP-4 Wall Wash Recessed Spackle & Visible Flange Installation Instructions

## Step 1 - Rough-Ins & Mounting Options

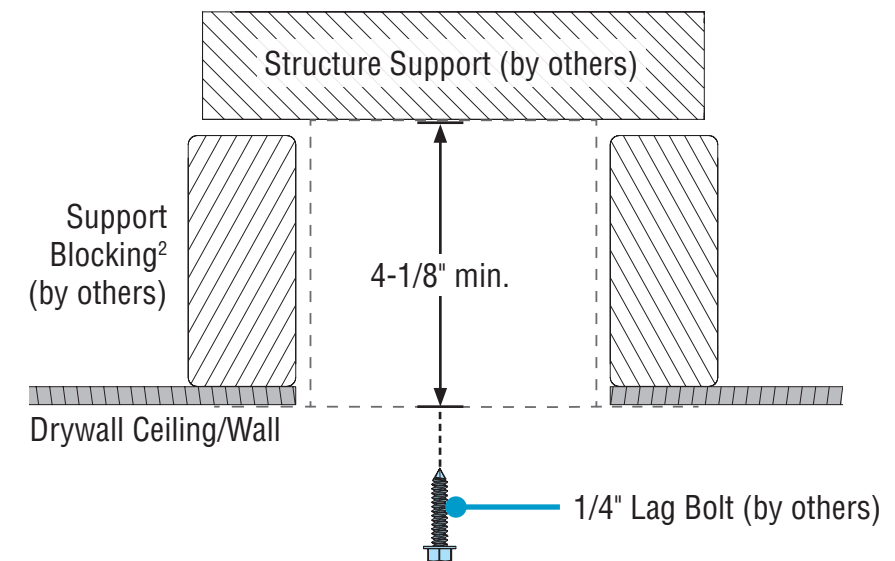
### Mounting Options

#### Option 1 - Mount to Threaded Rod

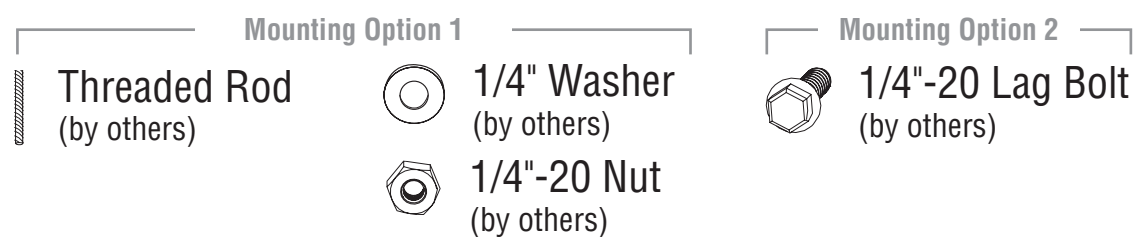


- Luminaire mounting holes sized for 1/4"-20 threaded rod.
- Distance from threaded rod to wall/ceiling surface<sup>1</sup> must be a minimum of 3-1/2".
- Refer to Record Drawings to determine mounting hole locations on luminaires and install threaded rods to structure.

#### Option 2 - Mount to Structure



- Distance from support block to wall/ceiling surface<sup>1</sup> must be a minimum of 4-1/8".
- Refer to Record Drawings to determine mounting hole locations on luminaires and install support blocking<sup>2</sup> to structure.



<sup>1</sup> Wall/ceiling surface = drywall, wood, concrete or masonry, metal panels, tile, etc.

<sup>2</sup> Support blocking = Wooden beams/studs, sheet metal framing beams, steel beams, concrete beams, etc. Use hardware appropriate to the beam material.

# HP-2 / HP-4 Wall Wash Recessed Spackle & Visible Flange Installation Instructions

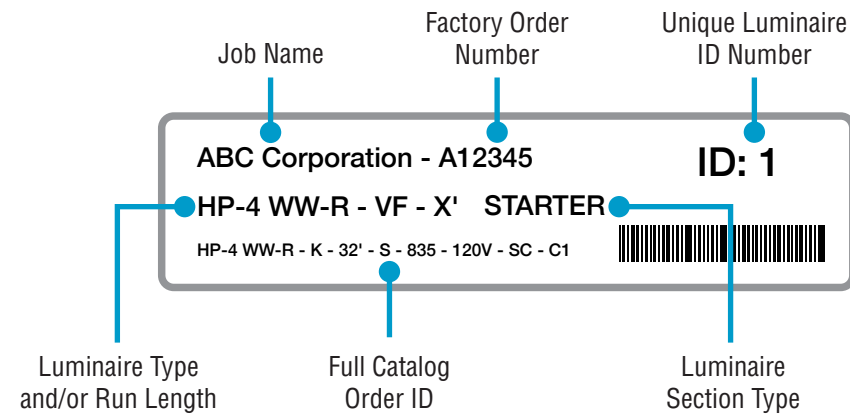
## Step 2 - Identification & Preparation

### A. Identify Luminaires



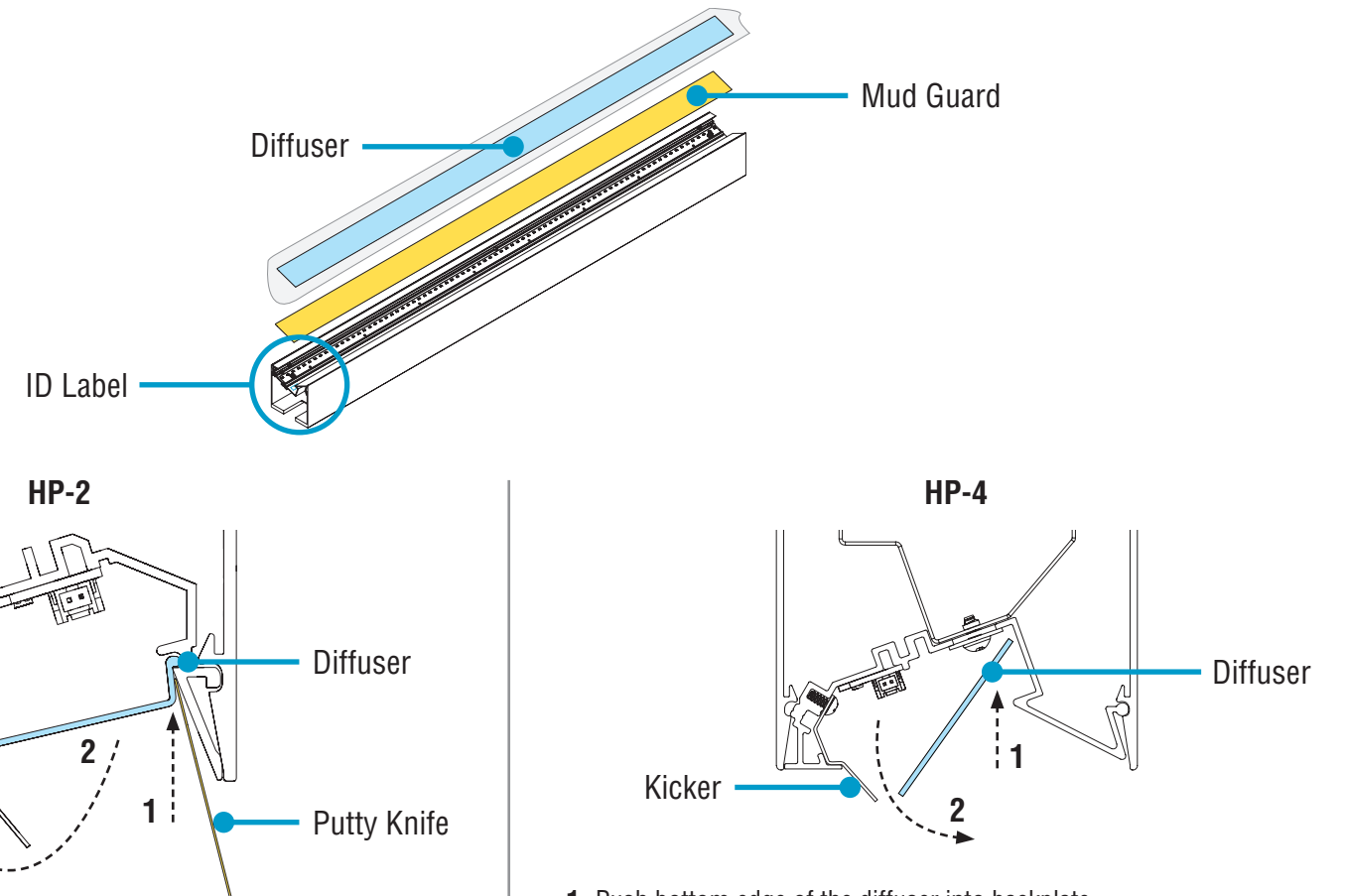
Arrange luminaires in order according to ID# at their install locations.

**CAUTION**



- Identify all luminaires by their ID label that can be found on the box, on the diffuser, and inside the luminaire.
- NOTE:** Exact location of labels in these areas may vary.
- Remove all luminaires from their box.
- Refer to Record Drawings that can be found in the hardware kit.

### B. Remove Diffuser

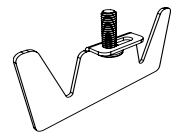


- Slide putty knife between the backplate and diffuser.
  - Carefully separate diffuser from the backplate, keeping it inside its protective bag.
- Set aside all diffusers to prevent from getting dirty or damaged.
  - Ensure diffuser can be clearly identified back to its corresponding luminaire.
  - CAUTION (Spackle Flange Only):** Carefully remove Mud Guards and keep them as they will be reinstalled in Step 7C.

- Push bottom edge of the diffuser into backplate.
  - Slide diffuser out of backplate.
- Carefully remove and set aside all diffusers to prevent from getting dirty or damaged.
  - Ensure diffuser can be clearly identified back to its corresponding luminaire.
  - CAUTION (Spackle Flange Only):** Carefully remove Mud Guards and keep them as they will be reinstalled in Step 7C.

### Kitted Hardware

- Finelite has provided items listed here, with their Finelite part numbers. These items can be found in separate boxes shipped with the luminaire.
- Account for all parts and set aside until they are needed.
- All other hardware needed for this installation will be by others.



**Yoke Bracket**  
Part# 45042

**#10-32 x 5/8" Screw**  
Part# 94144  
Securing Luminaire Joints  
p. 9, Step 6



**#8-18 x 1/4" Screw**  
Part# 69026  
Opening Luminaires  
p. 5, Step 3  
Closing Luminaires  
p. 10, Step 7



**1/4" Washer**  
Part# 94082  
Opening Luminaires  
p. 5, Step 3  
Closing Luminaires  
p. 10, Step 7

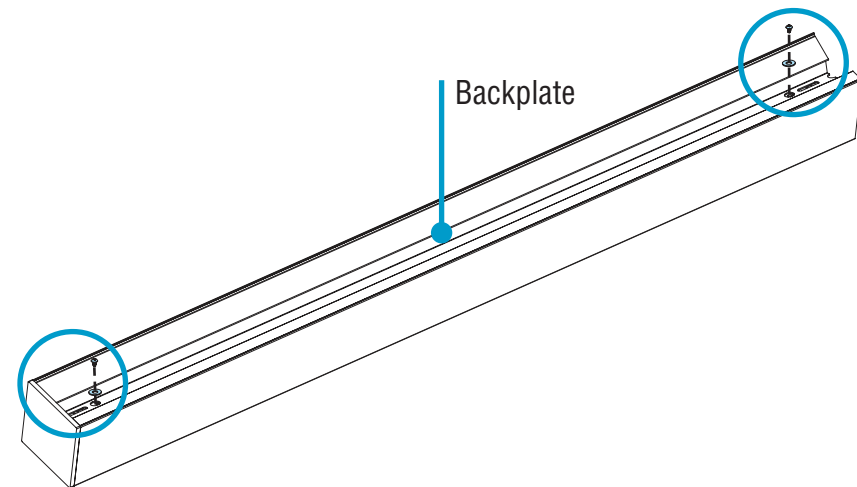


**#10 x 1/2" Screw**  
Part# 92081  
Closing Luminaires  
p. 10, Step 7

# HP-2 / HP-4 Wall Wash Recessed Spackle & Visible Flange Installation Instructions

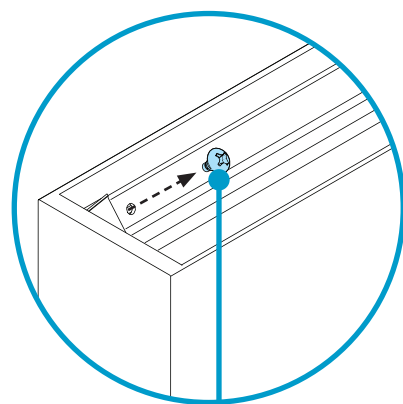
## Step 3 - Opening Luminaires

### A. Release Backplates

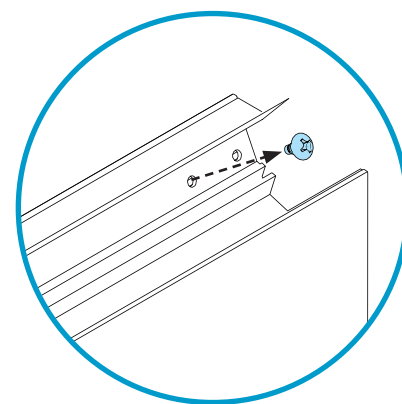


HP-2

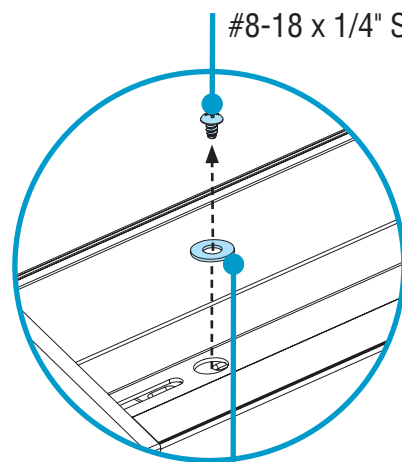
HP-4



#8-18 x 1/4" Screw (provided)



- **NOTE:** If installing an independent, leave backplate installed and **PROCEED TO STEP 4.**
- Release backplate from luminaire body by removing the #8-18 x 1/4" screw from both ends of the luminaire.
- **CAUTION:** Set these screws aside. Do not lose.

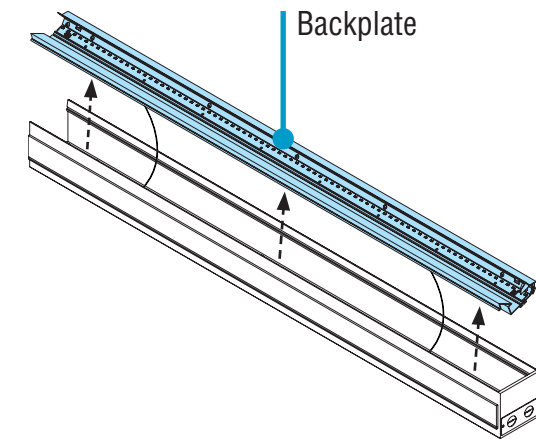


#8-18 x 1/4" Screw (provided)

1/4" Washer (provided)

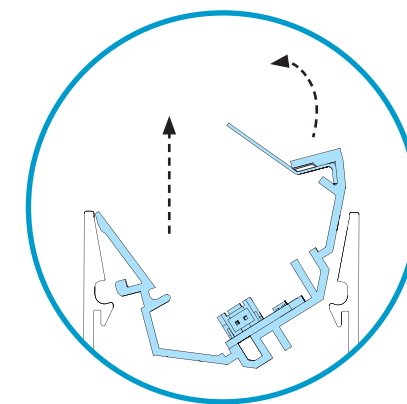
- **NOTE:** If installing an independent, leave backplate installed and **PROCEED TO STEP 4.**
- Release backplate from luminaire body by removing the #8-18 x 1/4" screw and 1/4" washer from both ends of the luminaire.
- **CAUTION:** Set these screws and washers aside. Do not lose.

### B. Remove Backplates

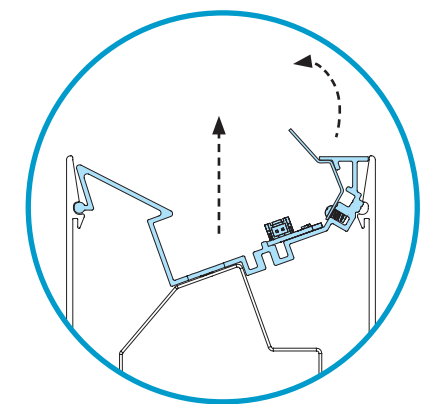


HP-2

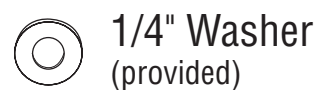
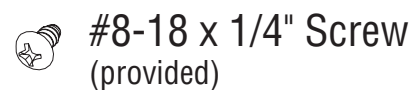
HP-4



- Remove backplates by rotating then lifting **up and out** of the luminaire body.
- Keep backplate hanging with safety cables connected.



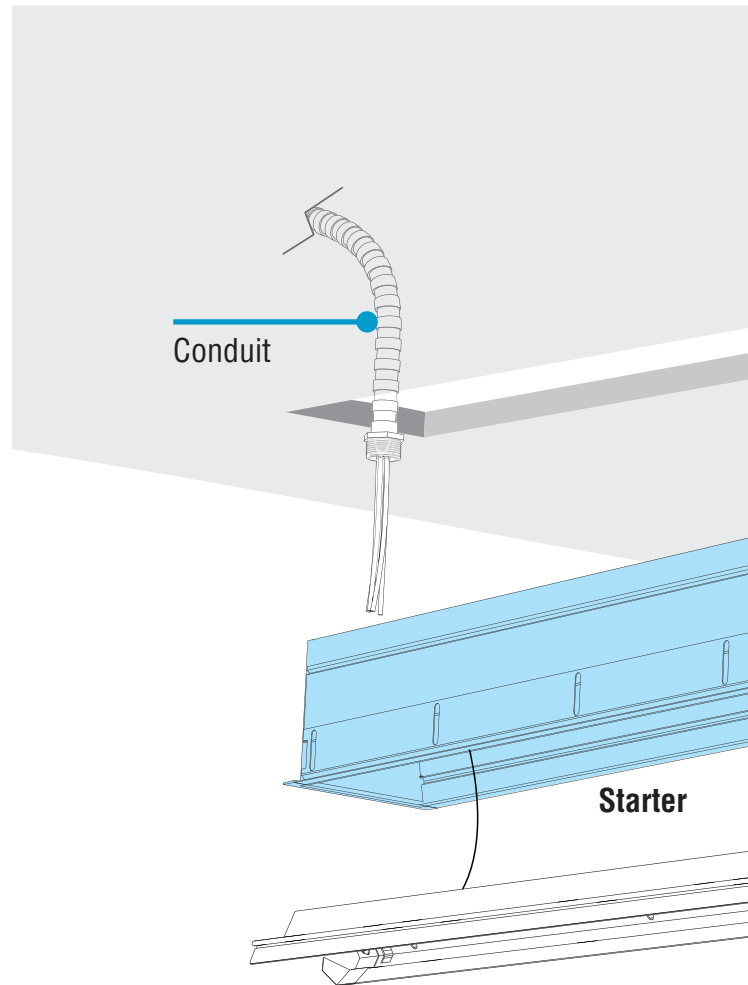
- Remove backplates by rotating then lifting **up and out** of the luminaire body.
- Keep backplate hanging with safety cables connected.



# HP-2 / HP-4 Wall Wash Recessed Spackle & Visible Flange Installation Instructions

## Step 4 - Mounting Starter to Structure

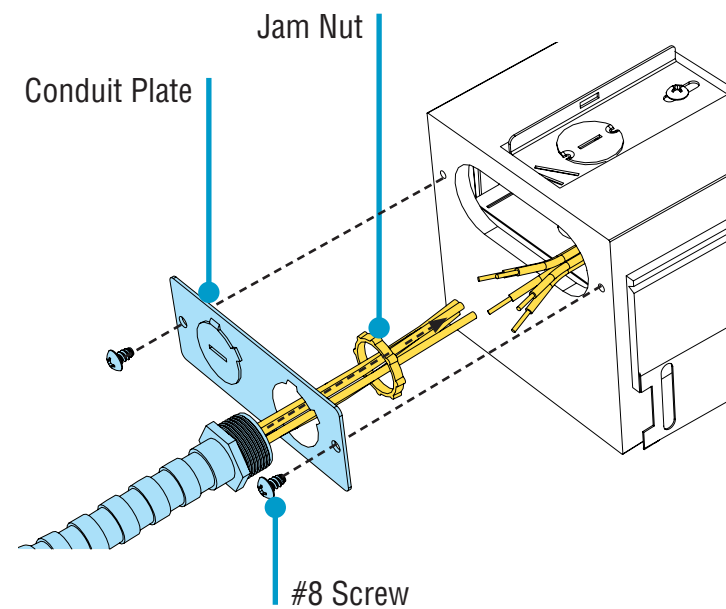
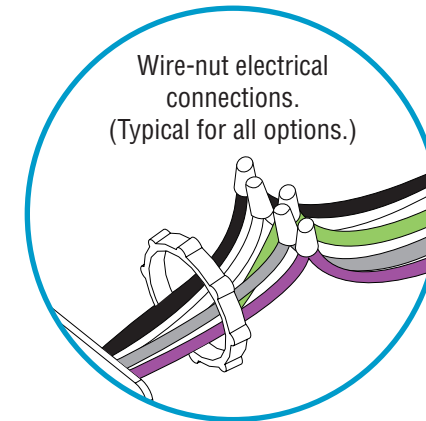
### A. Make Electrical Connections



- While properly supporting luminaire, maneuver luminaire near wall/ceiling opening.
- Make electrical connections at **ENDCAP**, at **TOP** or with a **SPLICE BOX**.

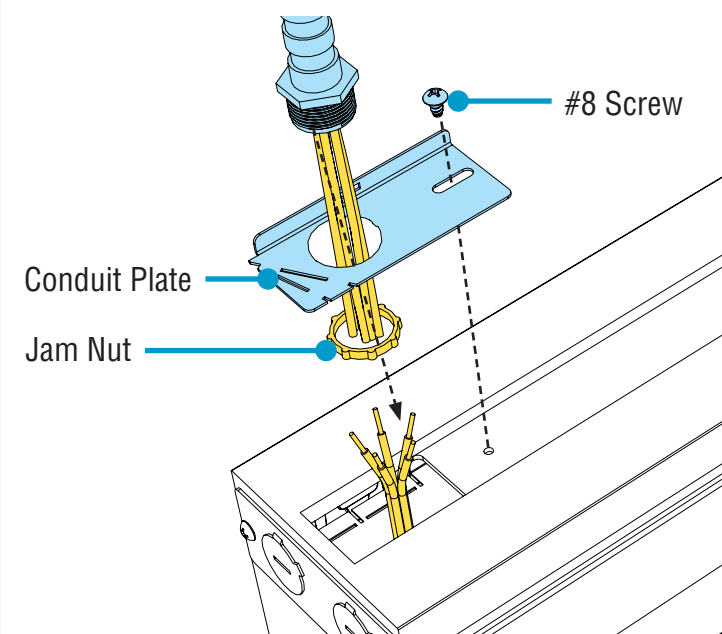
### Electrical Connection Options

WIRING LEGEND		
Black	Hot	Line Voltage
White	Neutral	Line Voltage
Green	Ground	
Grey	Dimming	0-10V DC
Purple	Dimming	0-10V DC



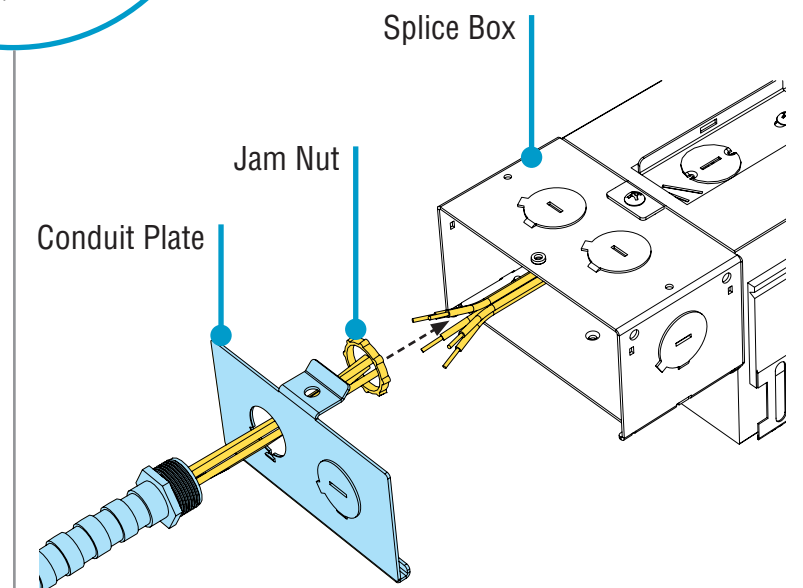
#### CONDUIT PLATE - ENDCAP (Standard)

- Remove two screws holding conduit plate.
- Install conduit and jam nut onto conduit plate.
- Wire-nut electrical connections. See wiring legend above.
- Reinstall conduit plate and screws. Do not damage any wires.



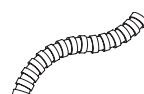
#### CONDUIT PLATE - TOP (Optional: HP-4 Only)

- Remove screw holding conduit plate.
- Install conduit and nut onto conduit plate.
- Wire-nut electrical connections. See wiring legend above.
- Reinstall conduit plate and screw. Do not damage any wires.



#### SPLICE BOX (Optional)

- Lift tab to unsnap and remove splice box cover.
- Install conduit and nut onto splice box cover.
- Wire-nut electrical connections. See wiring legend above.
- Reinstall splice box cover. Do not damage any wires.

 Flex Conduit  
(by others)

CONTINUED

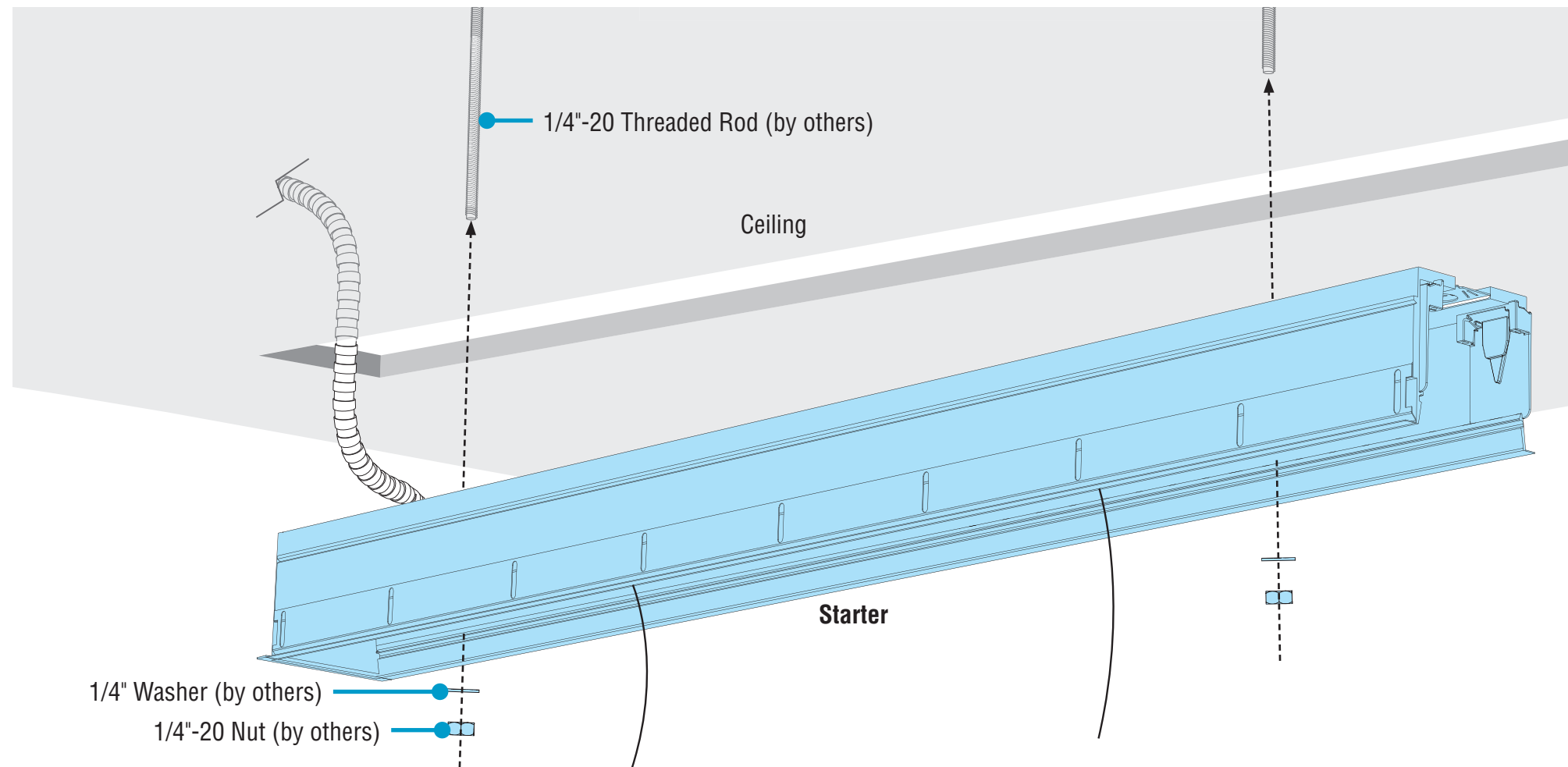


0-10V  
Dimming

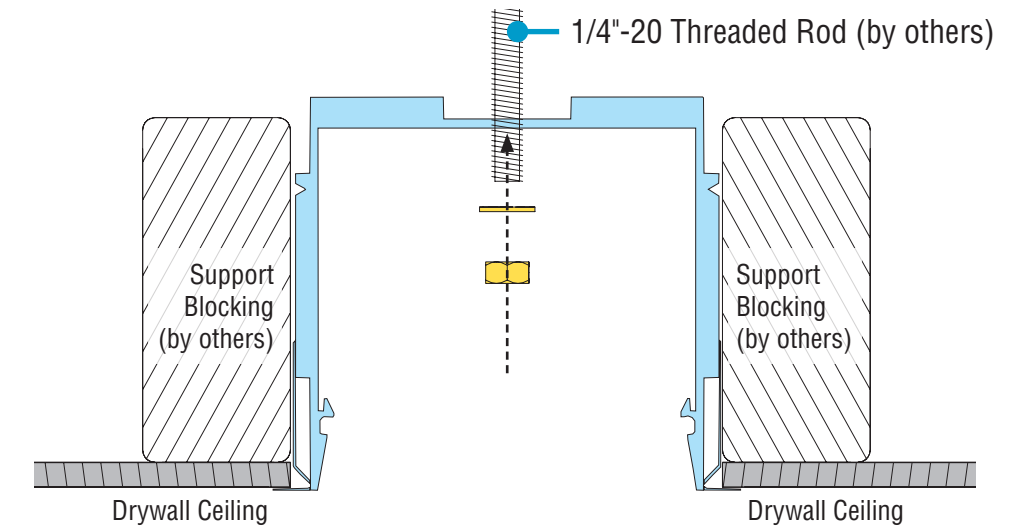
# HP-2 / HP-4 Wall Wash Recessed Spackle & Visible Flange Installation Instructions

## Step 4 - Mounting Starter to Structure

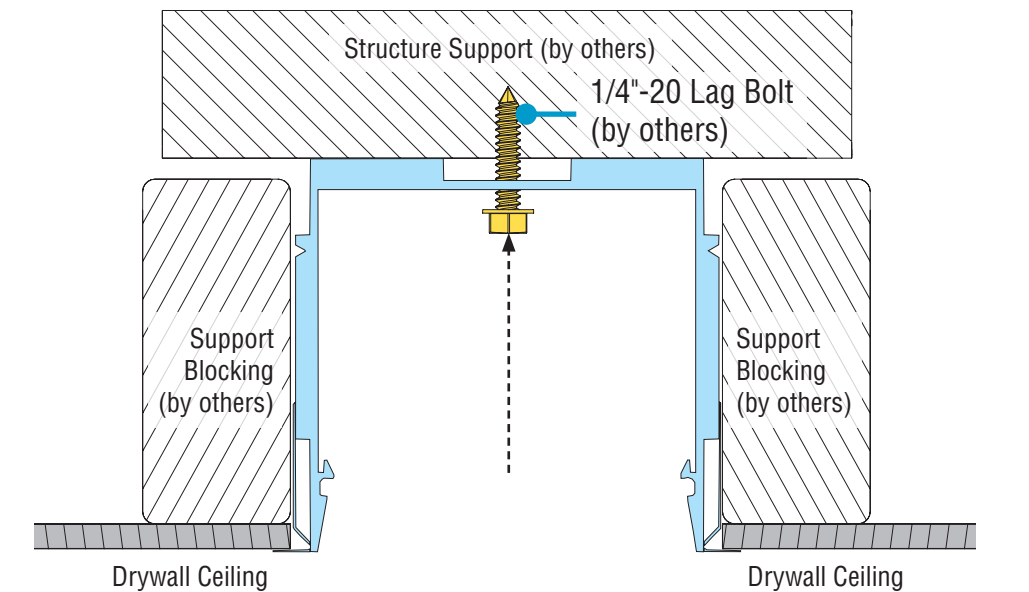
### B. Mount Starter to Structure



### Option 1 (Shown) - Mount to Threaded Rod



### Option 2 - Mount to Structure

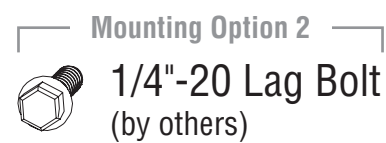
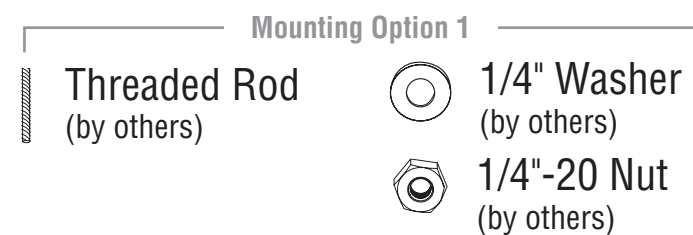


#### Option 1 (Shown) - Mount to Threaded Rod

- Align threaded rods with mounting holes and slide luminaire into wall/ceiling.
- Install 1/4"-20 nut and 1/4" washer onto 1/4"-20 threaded rod.
- **CRITICAL:** If installing a joiner luminaire in the next step, leave the nut loose, allowing the luminaire to hang out of ceiling at an angle.
- If there is no joiner/ender, then tighten nuts fully. **PROCEED TO STEP 7.**

#### Option 2 - Mount to Structure

- Slide luminaire into wall/ceiling and mount to structure support with hardware appropriate for the structure type.
- **CRITICAL:** If installing a joiner luminaire in the next step, leave the bolt/screw loose, allowing luminaire to hang out of ceiling at an angle.
- If there is no joiner/ender, then tighten nuts fully. **PROCEED TO STEP 7.**



# HP-2 / HP-4 Wall Wash Recessed Spackle & Visible Flange Installation Instructions

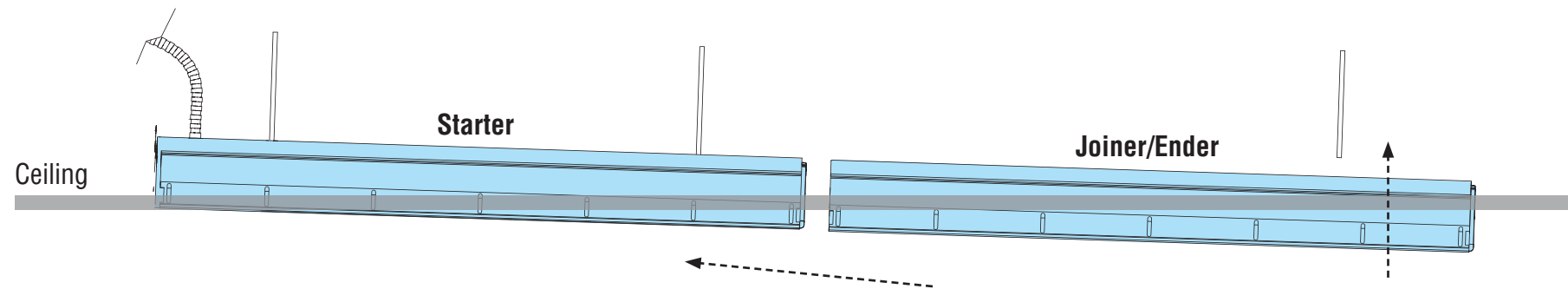
## Step 5 - Joining Luminaires

### A. Mount Joiner/Ender to Structure

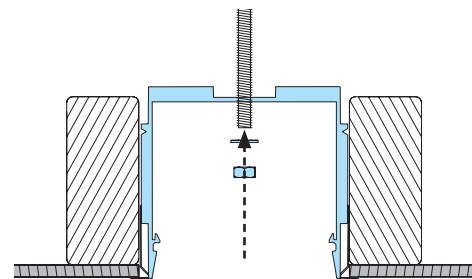


**CAUTION**

**DO NOT** attempt to join luminaires together on the floor. Damage may result when lifted. Follow these instructions.

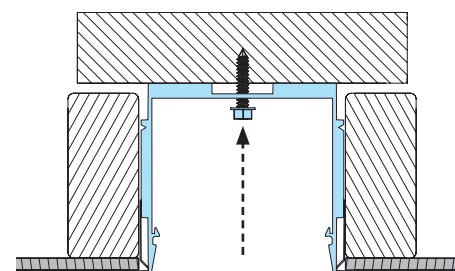


- While properly supporting luminaire, maneuver luminaire near wall/ceiling opening.
- If necessary, loosen bolts on previous luminaire so that it can hang out of the opening at an angle.
- After installing a joiner, return to previous luminaire and tighten.



#### Option 1 (Shown) - Mount to Threaded Rod

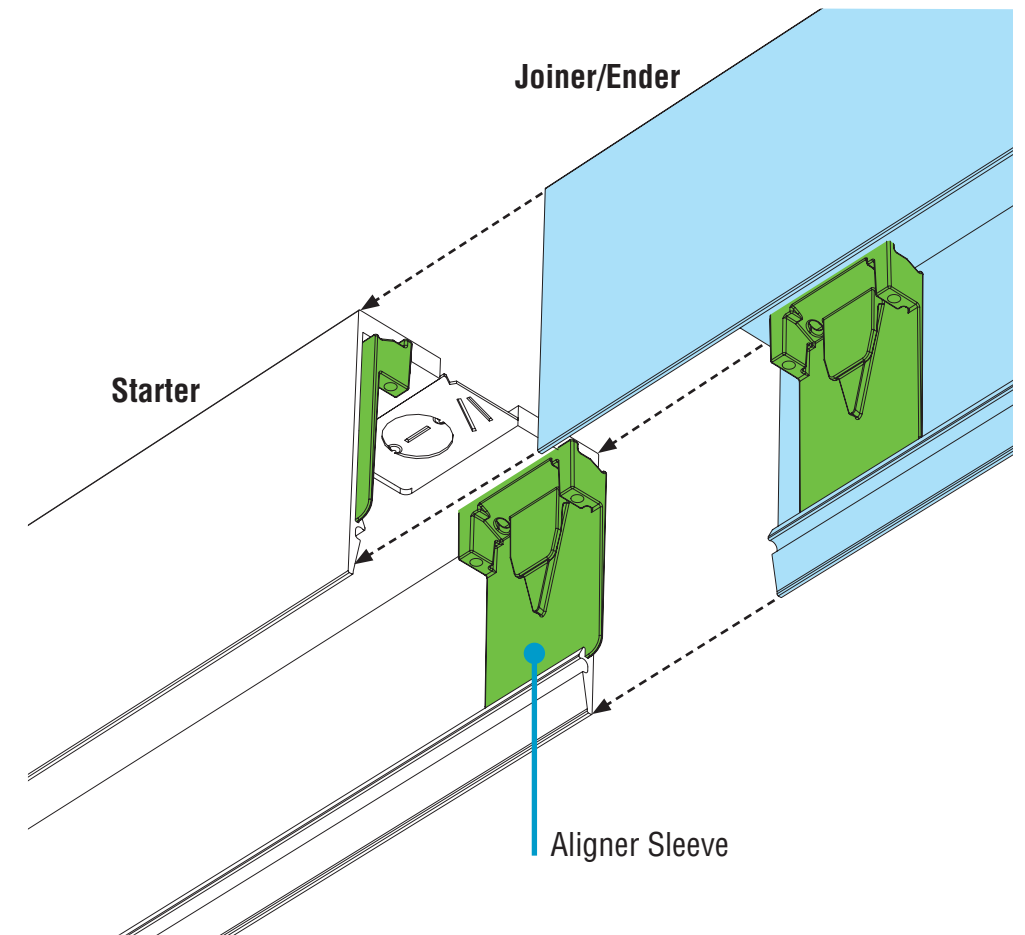
- Align threaded rods with mounting holes and slide luminaire into wall/ceiling.
- Install 1/4"-20 nut and 1/4" washer onto 1/4"-20 threaded rod.
- **CRITICAL:** If installing a joiner luminaire in the next step, leave the nut loose, allowing the luminaire to hang out of ceiling at an angle.



#### Option 2 - Mount to Structure

- Slide luminaire into wall/ceiling and mount to structure support with hardware appropriate for the structure type.
- **CRITICAL:** If installing a joiner luminaire in the next step, leave the bolt/screw loose, allowing luminaire to hang out of ceiling at an angle.

### B. Join Luminaires



- Align joiner/ender with aligner sleeves on starter and slide together. Be careful not to damage any wiring.
- If necessary, **lift** both luminaires, then slide together.

#### Mounting Option 1

Threaded Rod  
(by others)



1/4" Washer  
(by others)



1/4"-20 Nut  
(by others)

#### Mounting Option 2



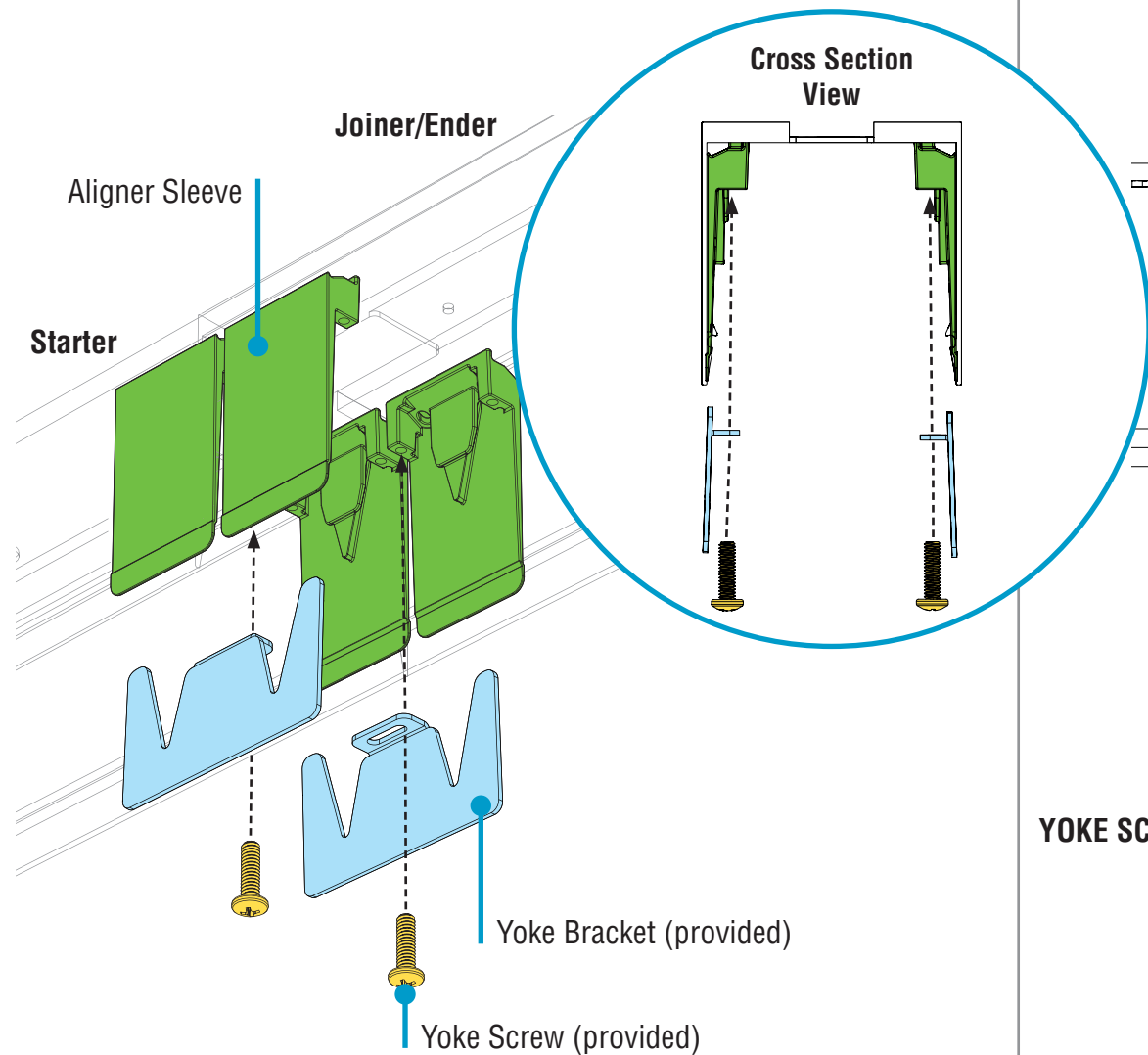
1/4"-20 Lag Bolt  
(by others)



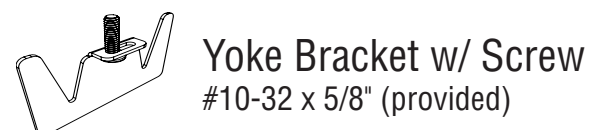
# HP-2 / HP-4 Wall Wash Recessed Spackle & Visible Flange Installation Instructions

## Step 6 - Securing Luminaire Joints

### A. Secure Joint with Yoke Brackets

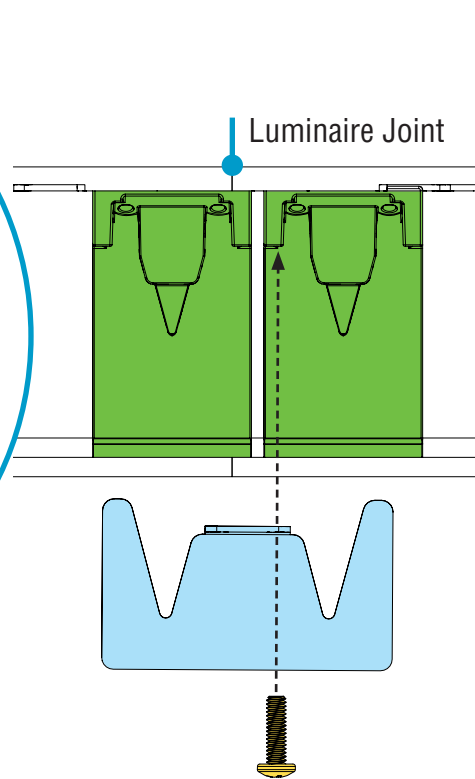


- Before installing yoke brackets, ensure the joining ends of luminaires meet flush and square.
- **CRITICAL:** Ensure yoke brackets properly engage with aligner sleeves.
- Secure joint by threading (but not yet tightening) yoke screws through yoke brackets and into the aligner sleeves.
- Tighten yoke screws<sup>1</sup> until joint seam of luminaires is closed.
- Fully secure luminaire to structure by fully tightening the 1/4-20 nuts or lag bolts.

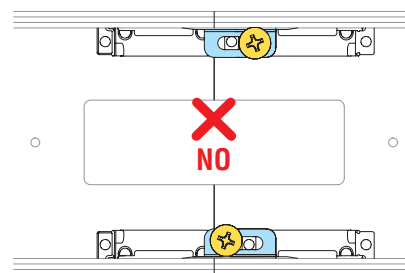


<sup>1</sup> Screwdriver with 6" bit required.

### IN ALIGNMENT

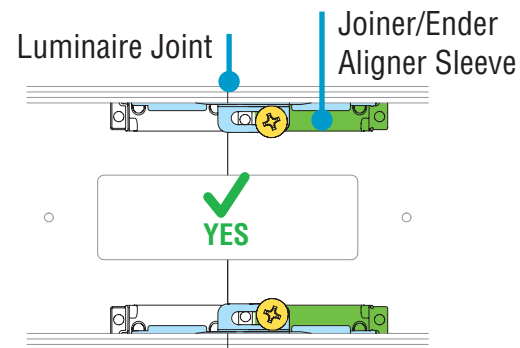
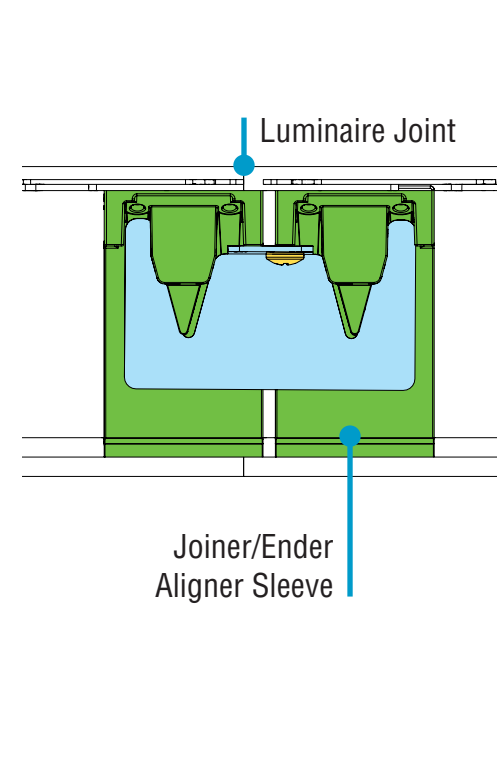


### YOKE SCREW ALIGNMENT Bottom-Up View

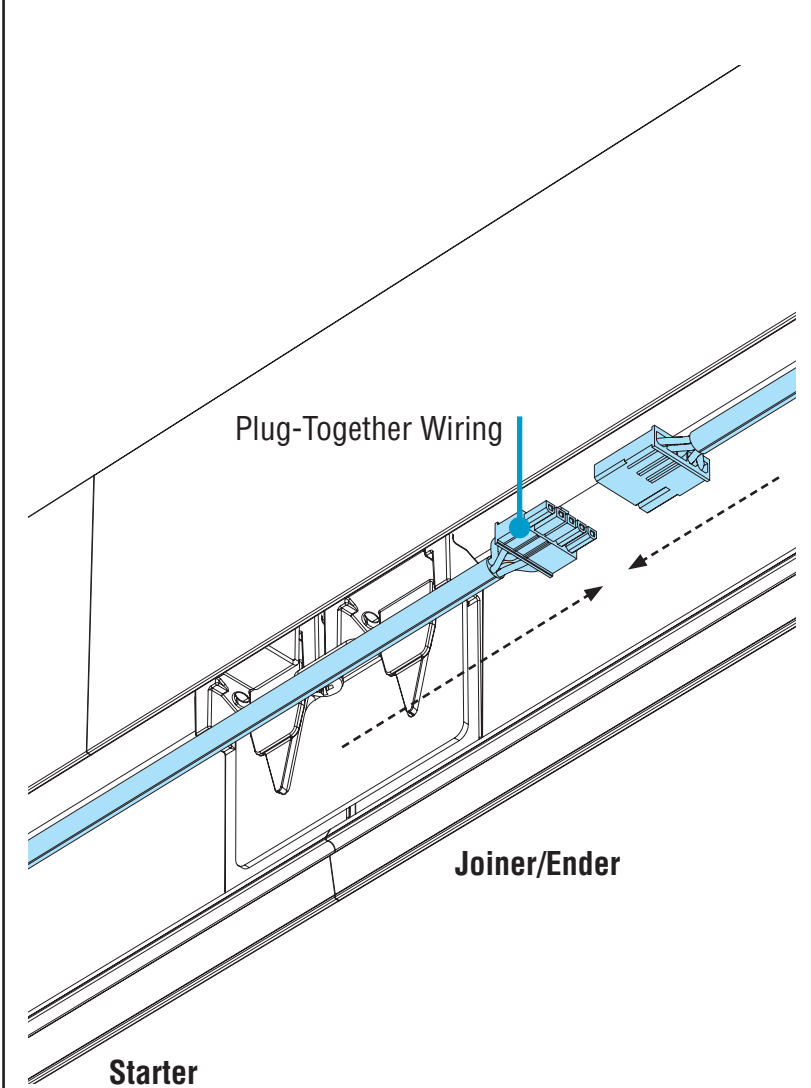


**NOTE:** Yoke screws should be installed directly across from each other, not diagonally, and in holes furthest from the joint line. One yoke screw per one yoke bracket.

### CORRECTLY INSTALLED



### B. Make Electrical Connections



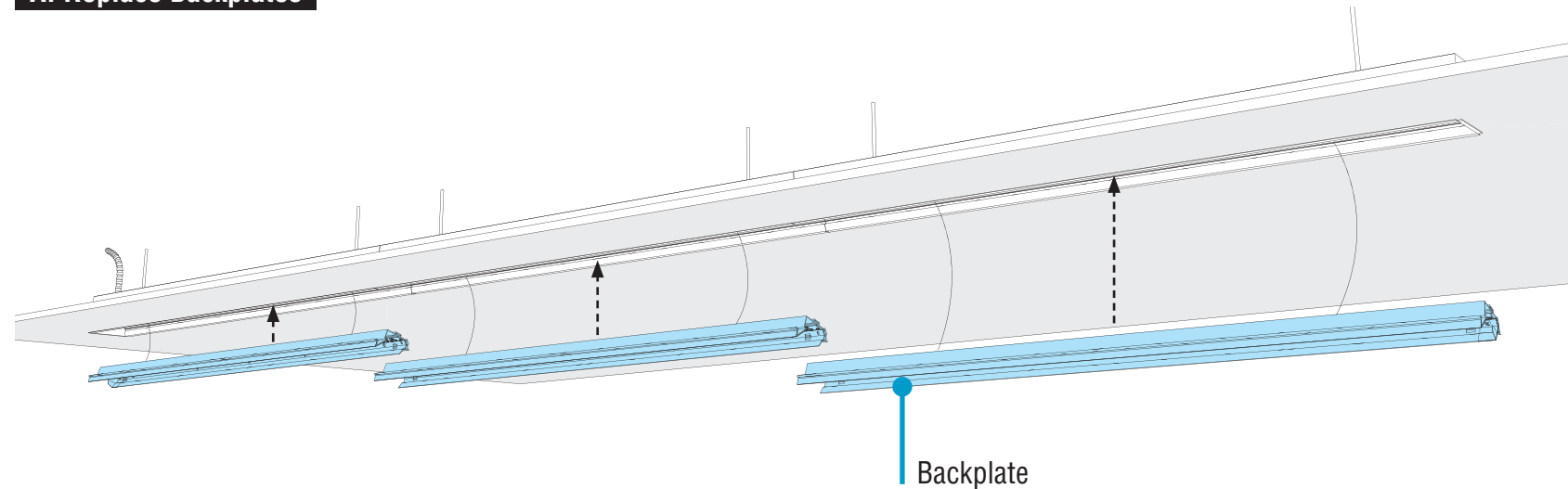
- Connect plug-together wiring.



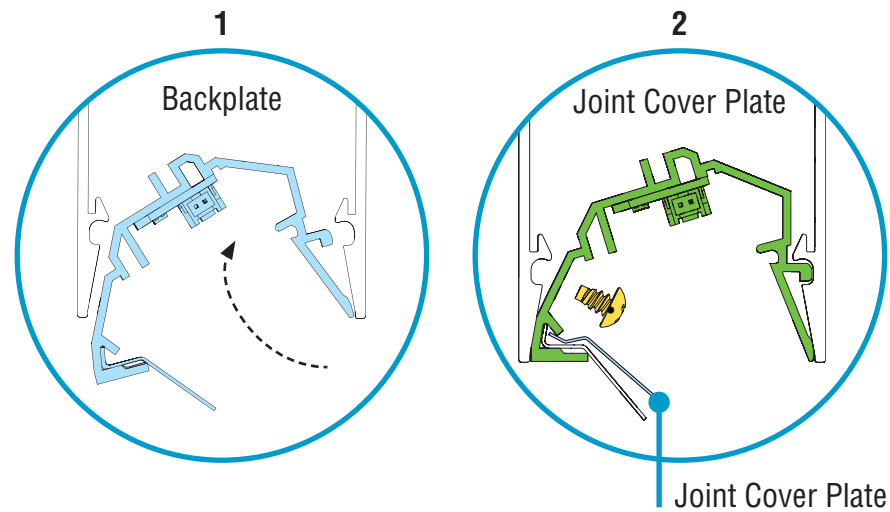
# HP-2 / HP-4 Wall Wash Recessed Spackle & Visible Flange Installation Instructions

## Step 7 - Closing Luminaires

### A. Replace Backplates

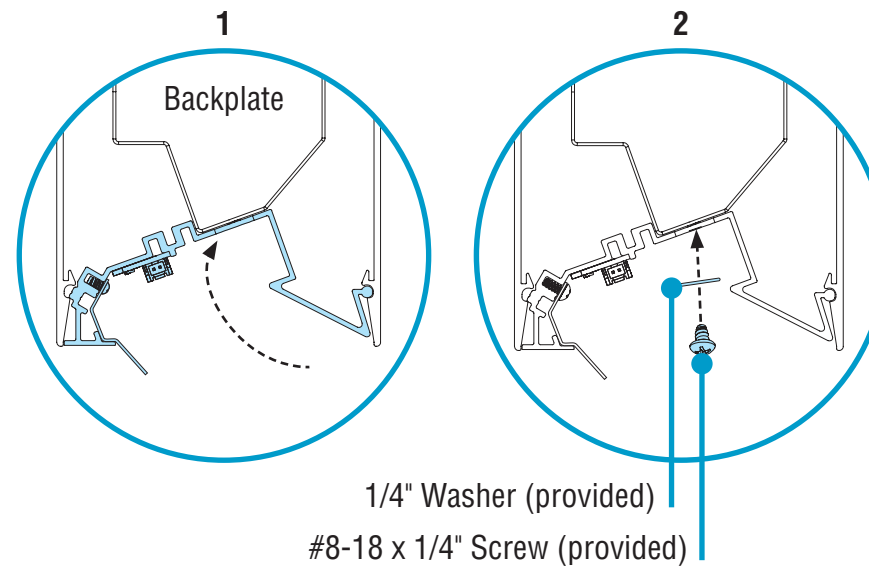


HP-2



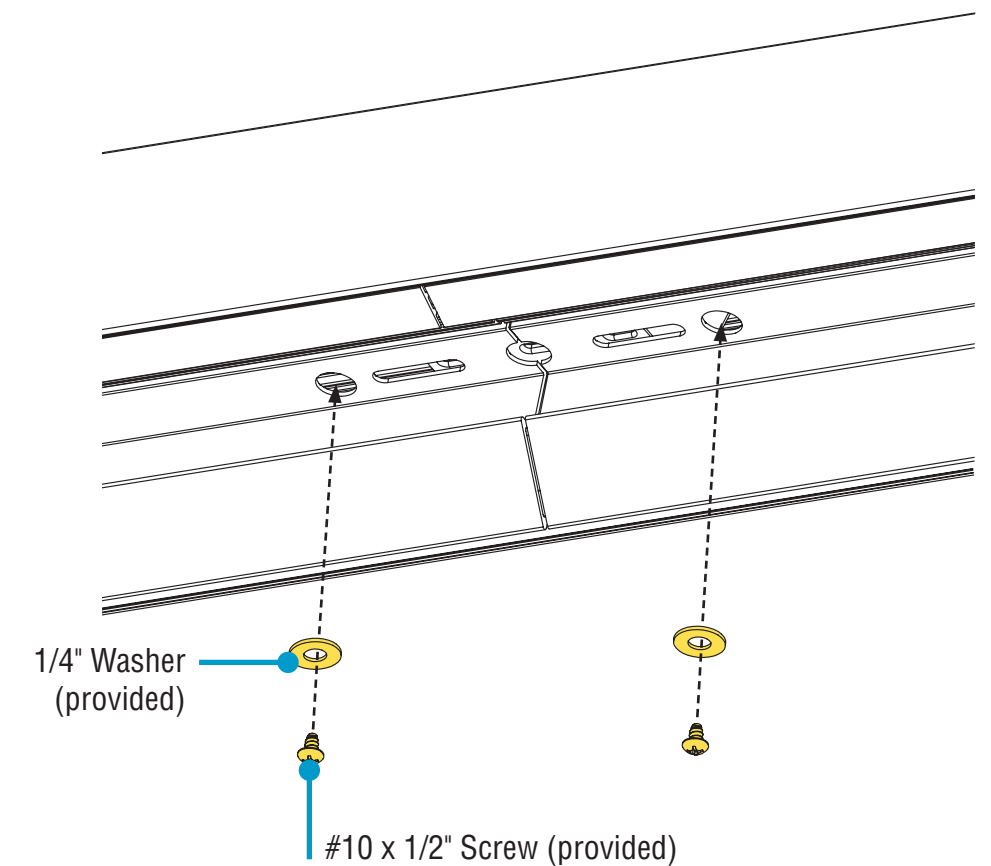
- 1. Carefully reinstall backplate into luminaire by inserting and rotating.
- 2. Install joint cover plate by inserting into backplate and installing two #8-18 x 1/4" screws at the joint. **PROCEED TO STEP 7C**

HP-4

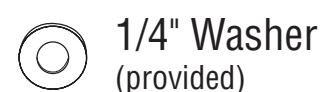
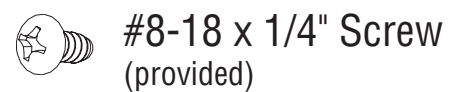
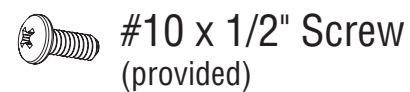


- 1. Carefully reinstall backplate into luminaire by inserting and rotating.
- 2. Install 1/4" washer and #8-18 x 1/4" screw to backplate at both ends of luminaire.

### B. Secure Joint with #10 x 1/2" Screws HP-4 Only



- Install 1/4" washers and #10 x 1/2" screws at the joint.

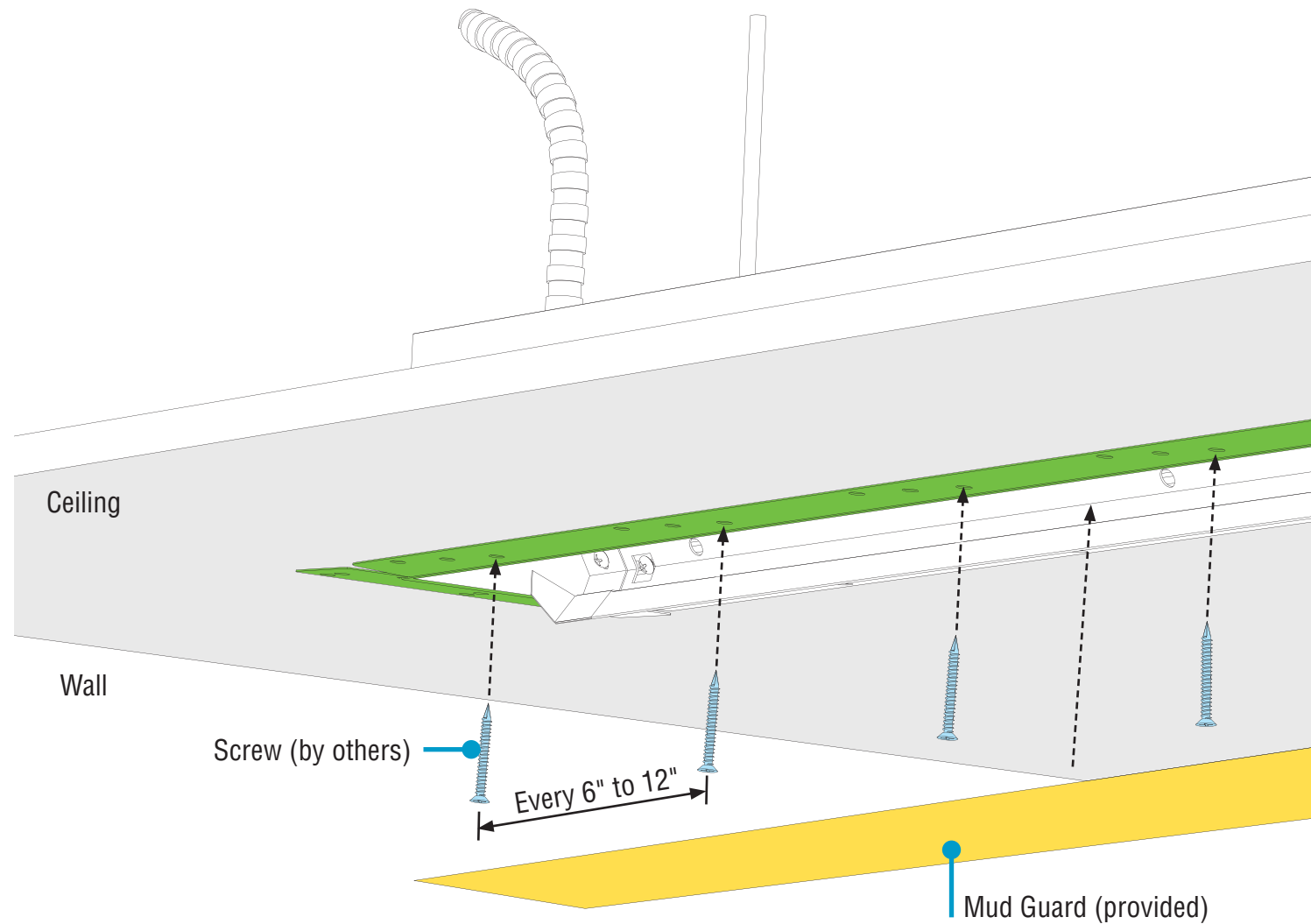


CONTINUED

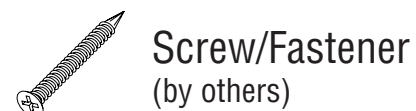
# HP-2 / HP-4 Wall Wash Recessed Spackle & Visible Flange Installation Instructions

## Step 7 - Closing Luminaires

### C. Secure Flange To Structure **Spackle Flange Only**

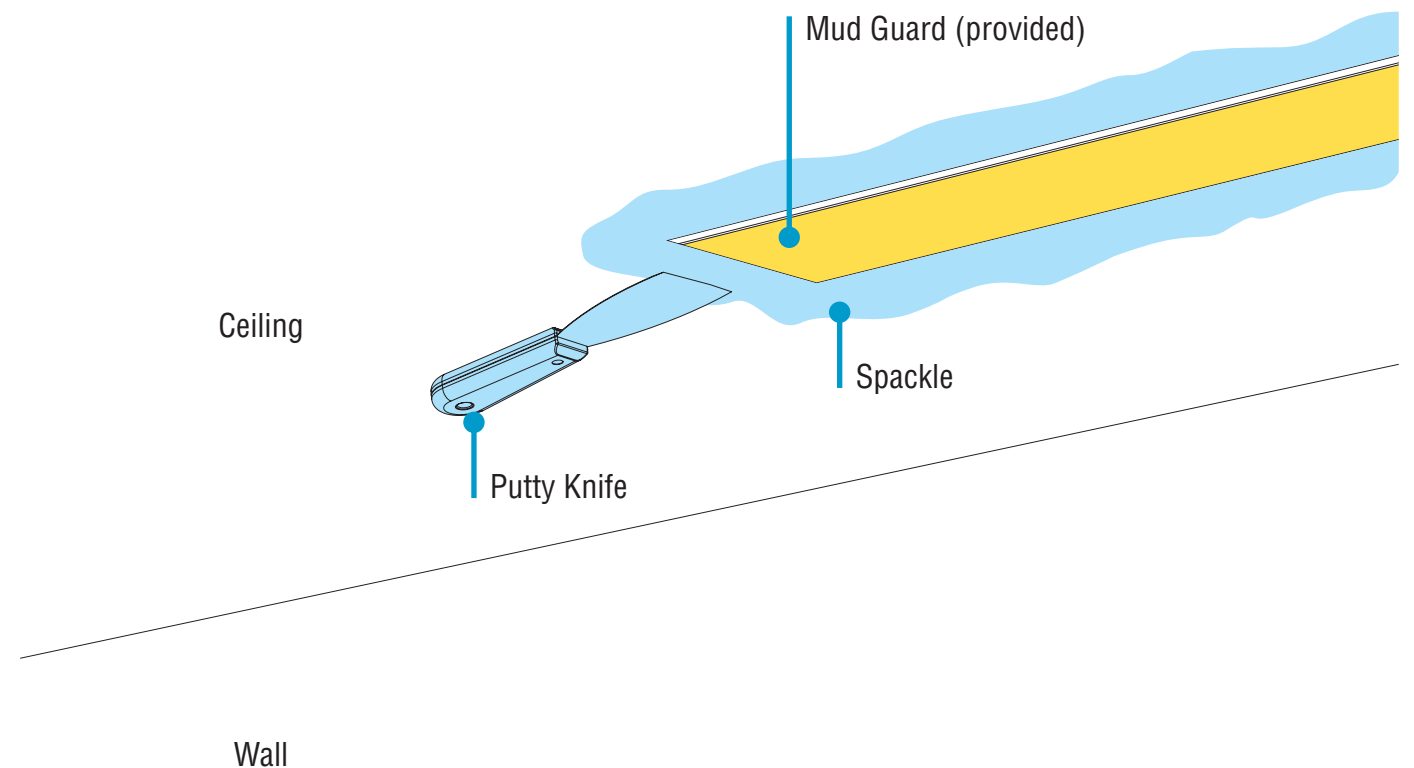


- Secure flanges to wall/ceiling using appropriate screws or fasteners<sup>1</sup> for hard surface, per local building codes.
- Install the "mud guard" cardboard inserts to help prevent spackle and paint from getting into the luminaire.



<sup>1</sup> Screws or fasteners: drywall - drywall screws, wood - wood screws, etc.

### D. Apply Spackle **Spackle Flange Only**



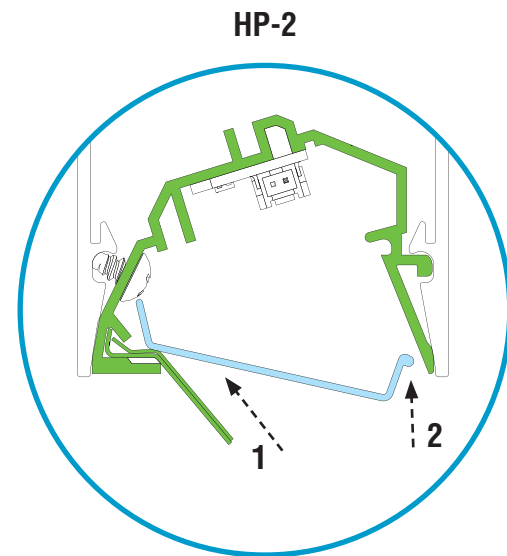
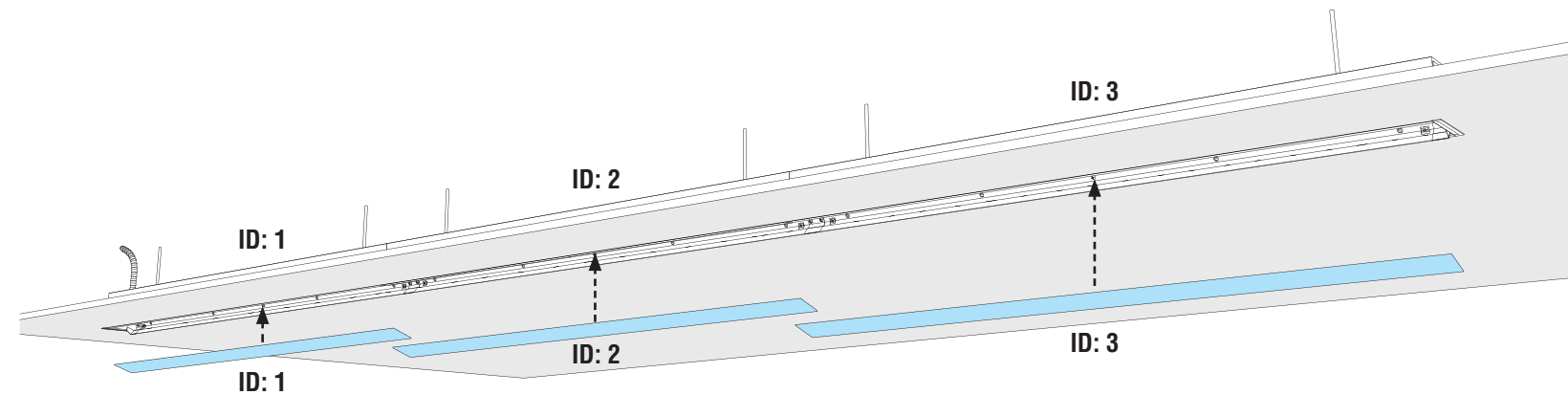
- Spackle and paint over flanges up to luminaire edge.
- **CAUTION:** Careful not to drop spackle into luminaire. Immediately wipe off excess spackle that may have gotten onto luminaire edges.
- Perform all spackling and painting to walls and ceiling prior to removing mud guards.
- Remove all mud guards.

CONTINUED

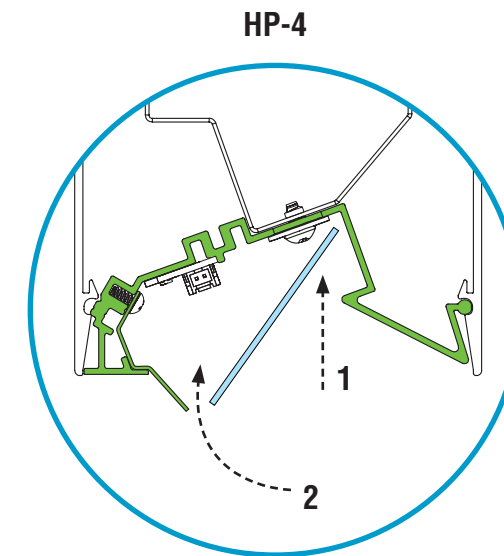
# HP-2 / HP-4 Wall Wash Recessed Spackle & Visible Flange Installation Instructions

## Step 7 - Closing Luminaires

**E. Final Step - Replace Diffusers**



- **NOTE:** If your installation includes a battery backup, please see addendum (98333) that should be included with your kitting package.
- Remove diffusers from protective plastic bag.
- **CAUTION:** Wear gloves to keep diffuser surface clean.
- **CRITICAL:** Be sure to install correct diffuser to its corresponding luminaire ID.
- Install diffusers into luminaire body, ensuring they are in place.
- **1.** Slide the side of the diffuser without a notch into the luminaire.
- **2.** Push the side of the diffuser that has a notch until click sound is heard.
- Turn power on to luminaire.



- **NOTE:** If your installation includes a battery backup, please see addendum (98333) that should be included with your kitting package.
- Remove diffusers from protective plastic bag.
- **CAUTION:** Wear gloves to keep diffuser surface clean.
- **CRITICAL:** Be sure to install correct diffuser to its corresponding luminaire ID.
- Install diffusers into luminaire body, ensuring they are in place.
- **1.** Reinstall diffusers by pushing right side of the diffuser into the backplate.
- **2.** Push the left side of diffuser until it lays flat on the backplate.
- Turn power on to luminaire.