

# HP-4 Wet Location Recessed Spackle & Visible Flange Installation Instructions

## Overview

### NOTES

- All power connections should be installed according to local/national codes by a Certified Electrician.
- This installation requires **proper support** as each luminaire is being installed.
- **DO NOT attempt to join luminaires together on the floor.** Damage may result when lifted.



HELPFUL  
VIDEOS



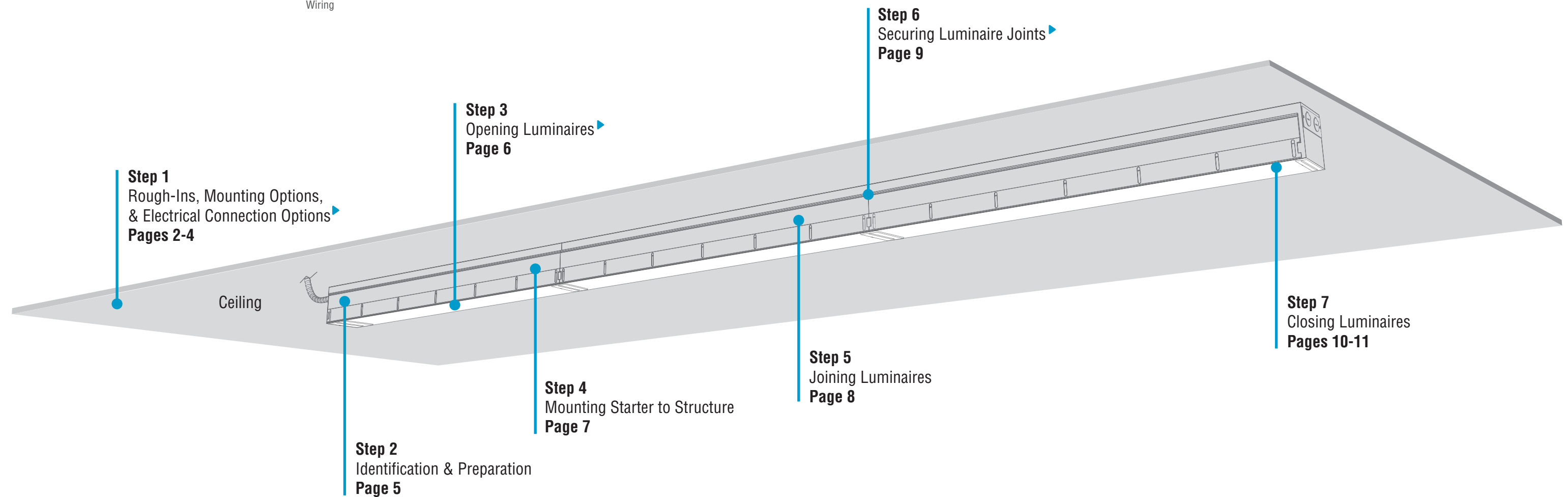
Effortless  
Access



0-10V  
Dimming



Simple  
Plug-Together  
Wiring



# HP-4 Wet Location Recessed Spackle & Visible Flange Installation Instructions

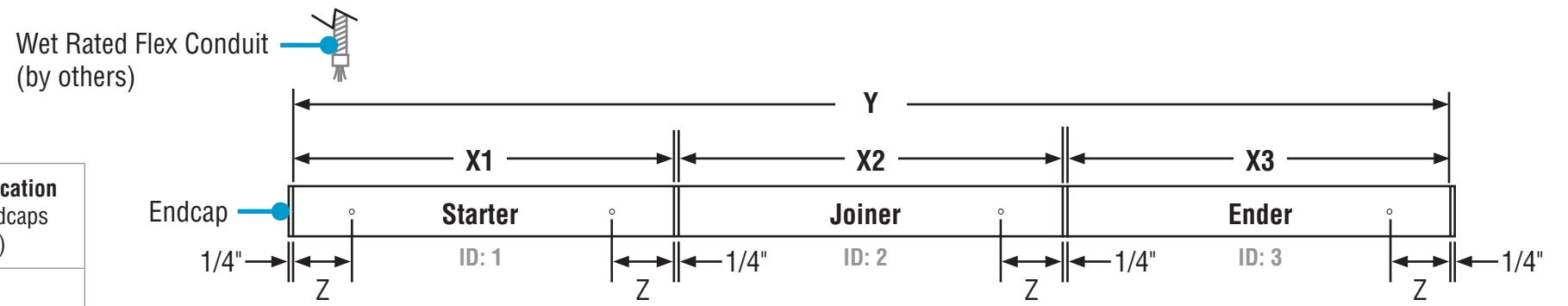
## Step 1 - Rough-Ins, Mounting Options, & Electrical Connection Options

### Mount Starter to Structure

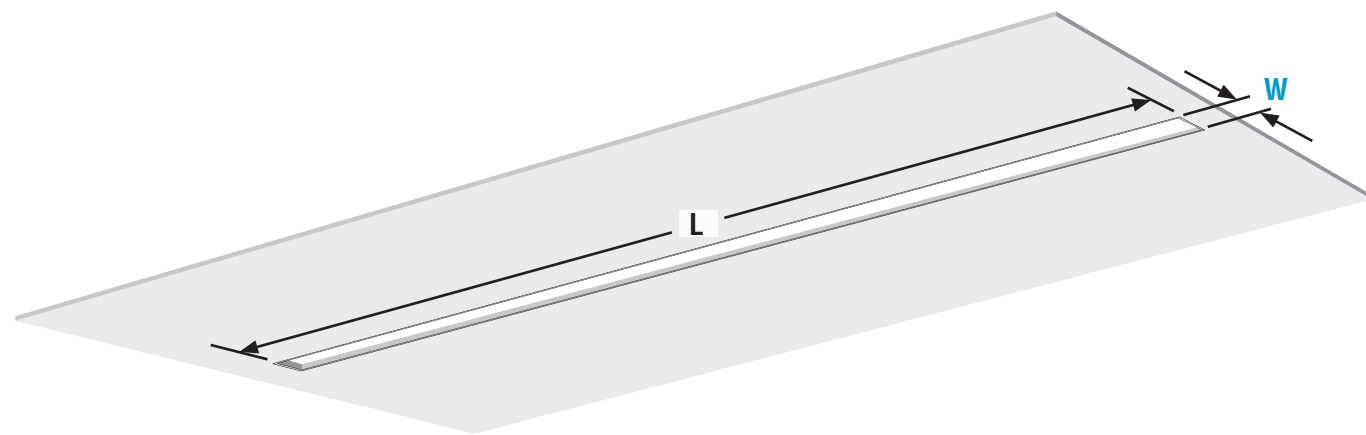
**X** = Luminaire section length (**Does not include** endcaps or joint adapters)  
**Y** = Total run length of luminaire (**Does not include** endcaps)  
**Z** = Mounting hole location (**Does not include** endcaps or joint adapters)

Refer to Record Drawings and building plans to determine luminaire locations, exact wall/ceiling rough-in dimensions, luminaire mounting hole locations and power feed locations.

	Z = Mounting Hole Location (Does not include endcaps or joint adapters)
HP-4	6"



### Rough-In Lengths

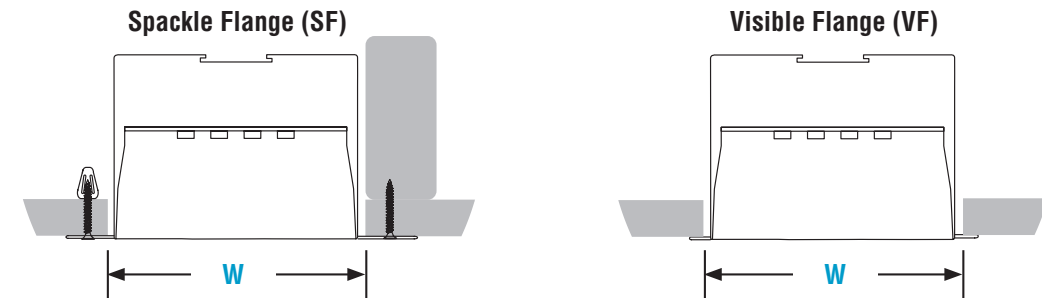


**L = Total Run Rough-In Length\***  
(+1/4" per joint adapter)

	Spackle Flange	Visible Flange
HP-4	Y + 1-1/8"	Y + 7/8"

\* Tolerance +/- 1/16"

### Rough-In Widths



**W = Rough-In Width\***

	Spackle Flange	Visible Flange
HP-4	4-7/8"	4-1/4"

\* Tolerance +/- 1/16"

- Use rough-in **Length & Width** dimensions and Record Drawings to determine rough-in measurements.
- Build wall/ceiling with rough-in according to rough-in dimensions.<sup>1</sup>
- **CRITICAL:** Drywall or weak paneling must be secured to blocking (studs) around rough-in opening in the wall/ceiling.<sup>2</sup>
- Install wet rated electrical conduit to feed locations.

CONTINUED

<sup>1</sup> Wall/ceiling surface = wood, concrete or masonry, metal panels, tile, etc.

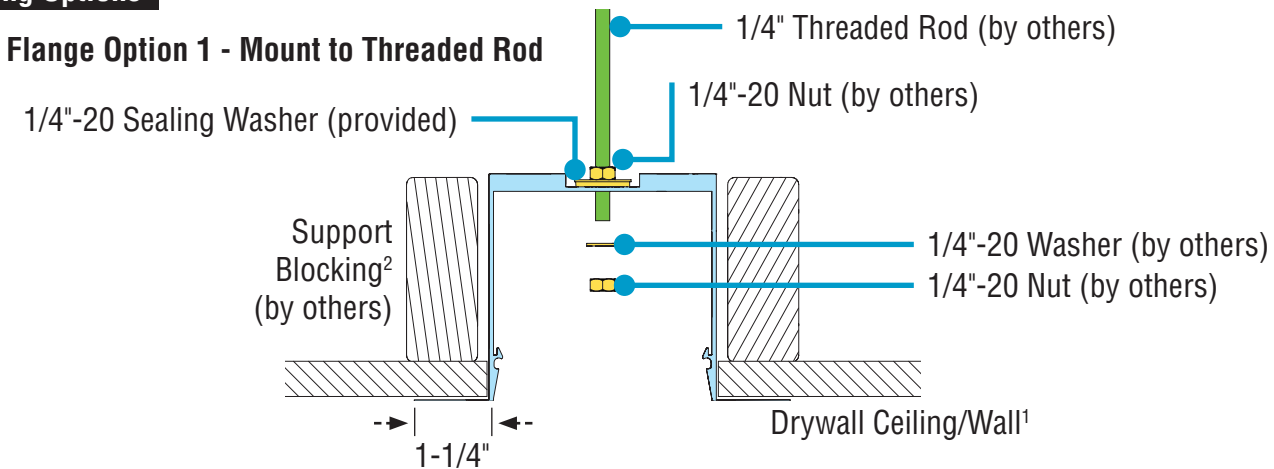
<sup>2</sup> Support blocking = wooden beams/studs, sheet metal framing beams, steel beams, concrete beams, etc. Use hardware appropriate to the beam material.

# HP-4 Wet Location Recessed Spackle & Visible Flange Installation Instructions

## Step 1 - Rough-Ins, Mounting Options, & Electrical Connection Options

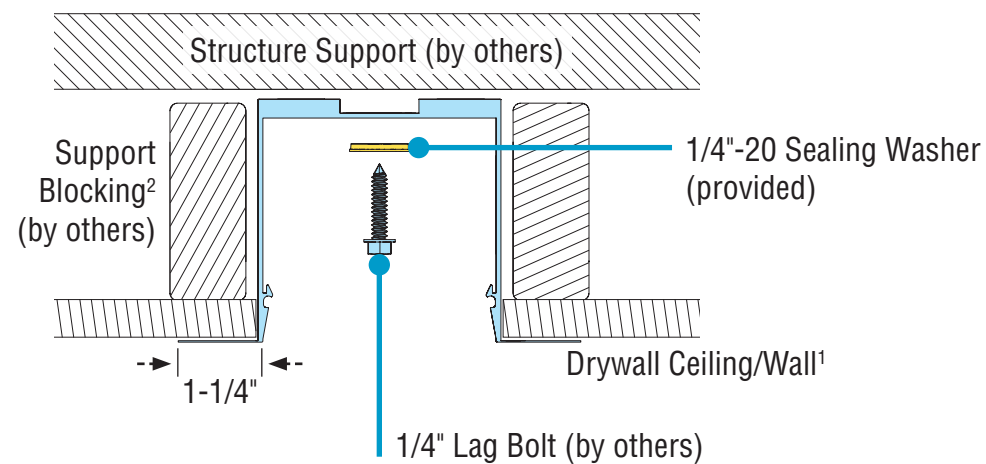
### Mounting Options

#### Spackle Flange Option 1 - Mount to Threaded Rod



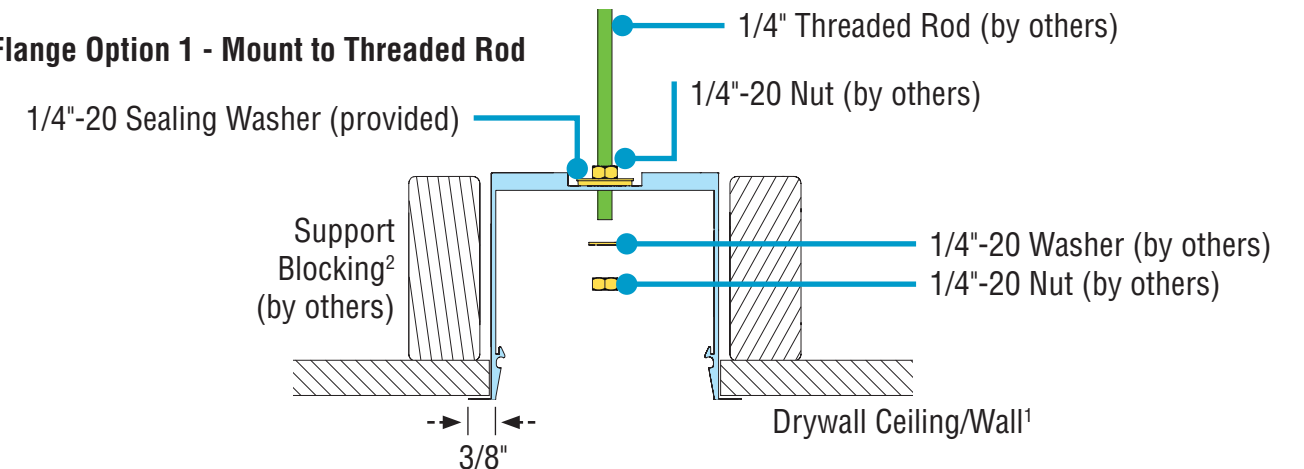
- Luminaire mounting holes sized for 1/4"-20 threaded rod.
- Refer to Record Drawings to determine mounting hole locations on luminaires and install threaded rods to structure.
- Distance from threaded rod to wall/ceiling surface<sup>1</sup> must be a minimum of 3-1/2".

#### Spackle Flange Option 2 - Mount to Structure



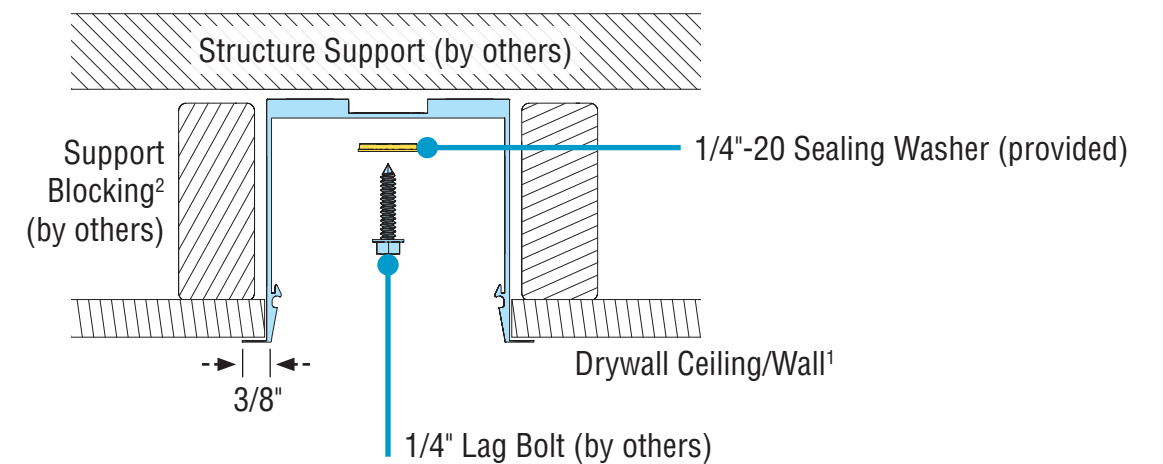
- Refer to Record Drawings to determine mounting hole locations on luminaires and install support blocking<sup>2</sup> to structure.
- Distance from support block to wall/ceiling surface<sup>1</sup> must be a minimum of 4-1/8".

#### Visible Flange Option 1 - Mount to Threaded Rod



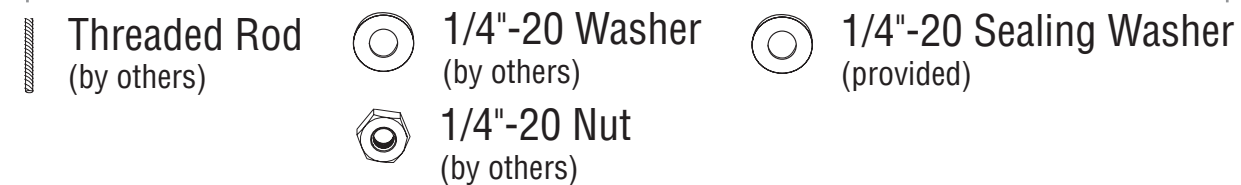
- Luminaire mounting holes sized for 1/4"-20 threaded rod.
- Refer to Record Drawings to determine mounting hole locations on luminaires and install threaded rods to structure.
- Distance from threaded rod to wall/ceiling surface<sup>1</sup> must be a minimum of 3-1/2".

#### Visible Flange Option 2 - Mount to Structure

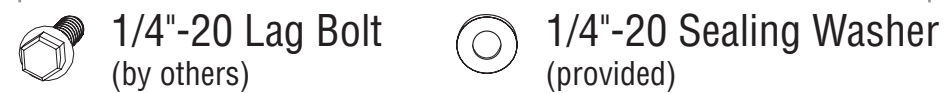


- Refer to Record Drawings to determine mounting hole locations on luminaires and install support blocking<sup>2</sup> to structure.
- Distance from support block to wall/ceiling surface<sup>1</sup> must be a minimum of 4-1/8".

#### Mounting Option 1



#### Mounting Option 2



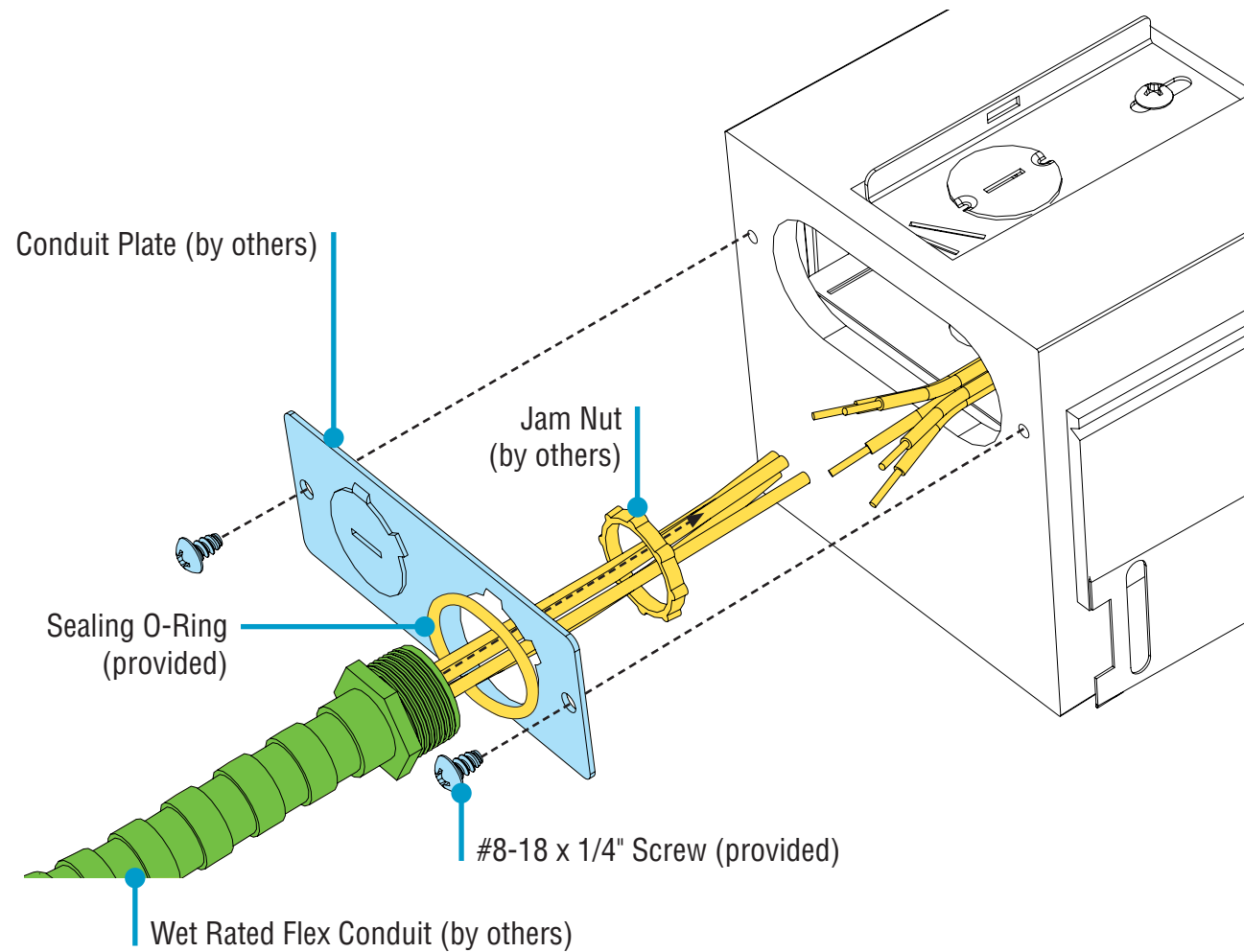
<sup>1</sup> Wall/ceiling surface = drywall, wood, concrete or masonry, metal panels, tile, etc.

<sup>2</sup> Support blocking = wooden beams/studs, sheet metal framing beams, steel beams, concrete beams, etc. Use hardware appropriate to the beam material.

# HP-4 Wet Location Recessed Spackle & Visible Flange Installation Instructions

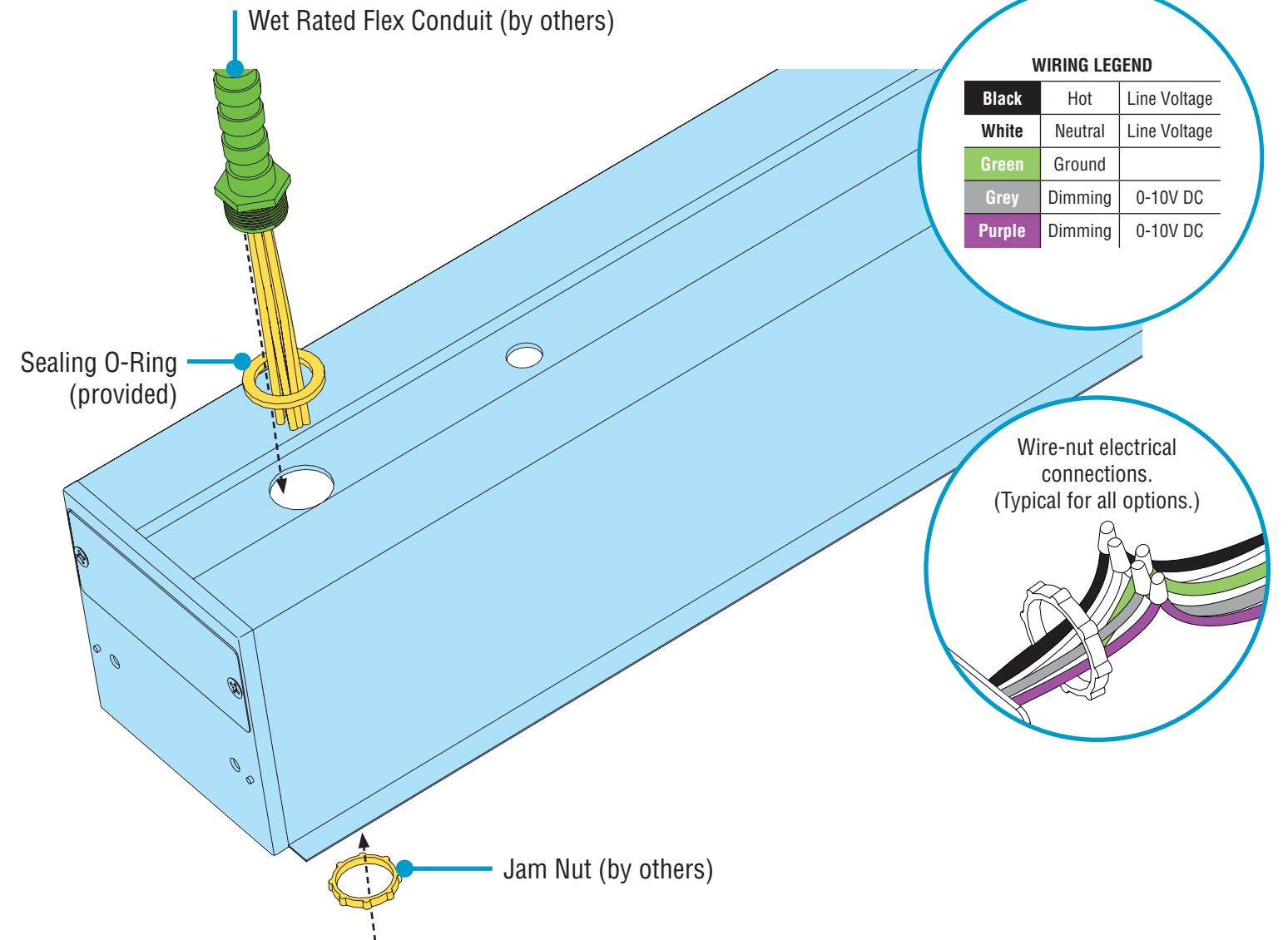
## Step 1 - Rough-Ins, Mounting Options, & Electrical Connection Options

### Electrical Connection Options Top-Down View



#### CONDUIT PLATE - ENDCAP

- Remove two screws holding conduit plate.
- Install wet rated conduit, sealing o-ring, and jam nut onto conduit plate.
- Wire-nut electrical connections. See wiring legend above.
- Reinstall conduit plate and screws. Do not damage any wires.

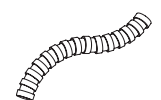


WIRING LEGEND		
Black	Hot	Line Voltage
White	Neutral	Line Voltage
Green	Ground	
Grey	Dimming	0-10V DC
Purple	Dimming	0-10V DC

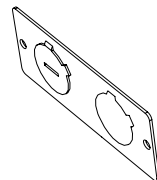
Wire-nut electrical connections.  
(Typical for all options.)

#### POWER FEED FROM TOP (HP-4 ONLY)

- Install wet rated conduit, sealing o-ring, and nut onto the luminaire.
- Wire-nut electrical connections. See wiring legend above.



Wet Rated Flex Conduit  
(by others)



Conduit Plate  
(by others)



Jam Nut  
(by others)



Sealing O-Ring  
(provided)



#8-18 x 1/4" Screw  
(provided)



0-10V  
Dimming

# HP-4 Wet Location Recessed Spackle & Visible Flange Installation Instructions

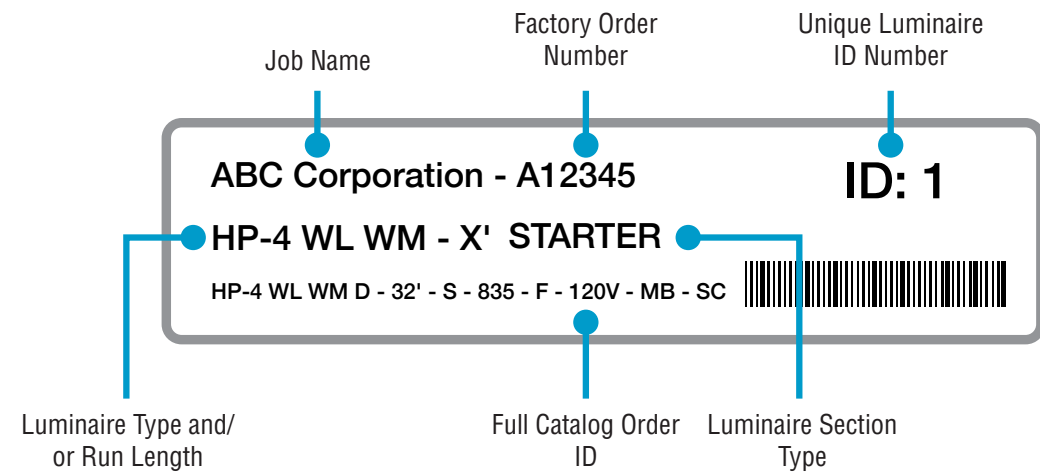
## Step 2 - Identification & Preparation

### A. Identify Luminaires



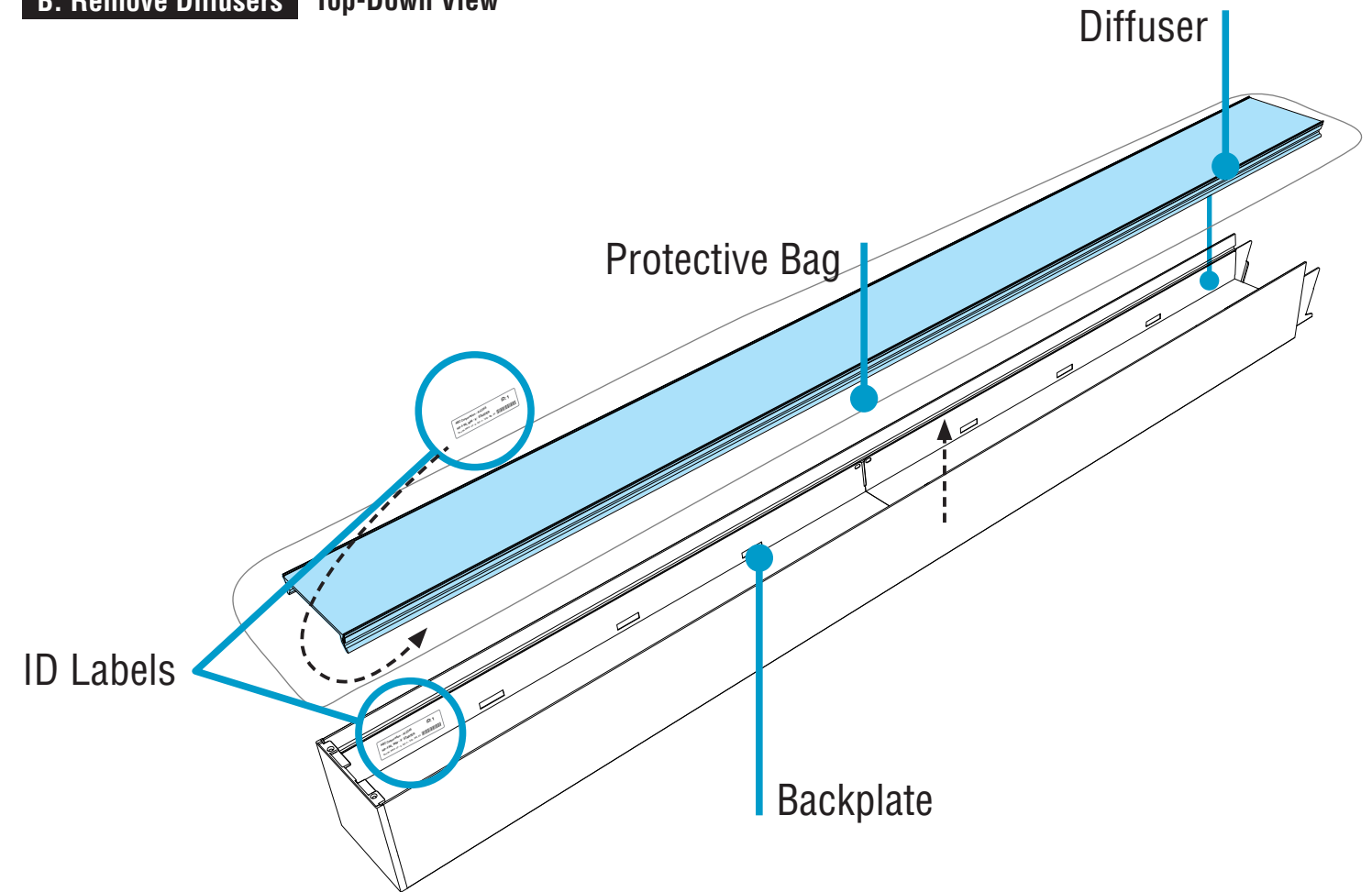
Arrange luminaires in order according to ID# at their install locations.

**CAUTION**



- Identify all luminaires by their ID label that can be found on the box, the diffuser, and inside the luminaire.
- **NOTE:** Exact location of labels in these areas may vary.
- Remove all luminaires from their box.
- Refer to record drawings that can be found in the hardware kit.

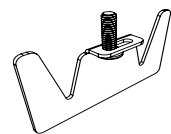
### B. Remove Diffusers Top-Down View



- Carefully remove all diffusers, keeping them inside their protective bags.
- Set aside all diffusers to prevent them from getting dirty or damaged.
- Ensure diffusers can be clearly identified back to their corresponding luminaire.

### Kitted Hardware

- Finelite has provided items listed here, with their Finelite part numbers. These items can be found in separate boxes shipped with the luminaire.
- Account for all parts and set aside until they are needed.
- All other hardware needed for this installation will be by others.



#### Yoke Bracket

Part# 43659

#### Washer

Part# 94111

#### #10-32 x 5/8" Screw

Part# 94144  
 Securing Luminaire Joints  
 p. 9, Step 6



#### Sealing O-Ring

Part# 43696  
 Diameter of thread = 0.7875"  
 Rough-Ins & Mounting Options  
 p. 4, Step 1



#### 1/4"-20 Sealing Washer

Part# 76407  
 Rough-Ins & Mounting Options  
 p. 3, Step 1  
 Mounting Starter to Structure  
 p. 7, Step 4  
 Joining Luminaires  
 p. 8, Step 5



#### Diffuser Screw

HP-2 WL: #6-32 x 3/8" Screw - Part# 76404  
 HP-4 WL: #6-32 x 3/8" Screw - Part# 76404  
 HP-6 WL: #8-32 x 1/2" Screw - Part# 94298  
 Closing Luminaires  
 p. 11, Step 7



#### #8-18 x 1/4" Screw

Part# 69026  
 Rough-Ins & Mounting Options  
 p. 4, Step 1



#### Screw Cover

Part# 43637  
 Identification & Preparation  
 p. 5, Step 2  
 Closing Luminaires  
 p. 11, Step 7



#### Endcap Diffuser Cover

Part# 43738  
 Identification & Preparation  
 p. 5, Step 2  
 Closing Luminaires  
 p. 11, Step 7



#### Joint Diffuser Cover

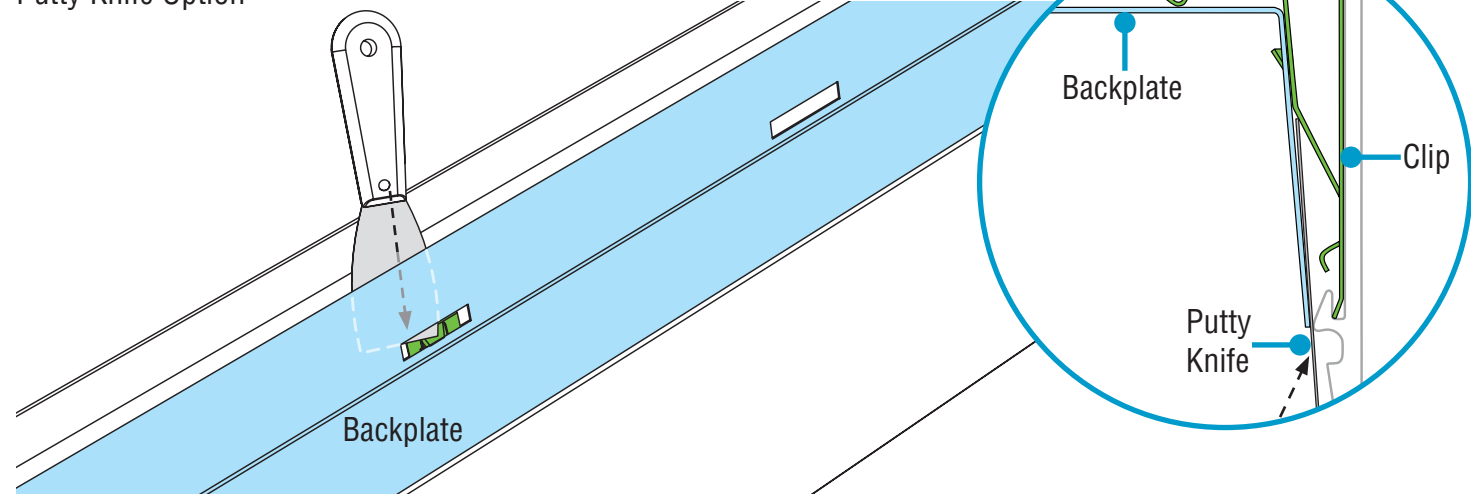
Part# 43740  
 Identification & Preparation  
 p. 5, Step 2  
 Closing Luminaires  
 p. 11, Step 7

# HP-4 Wet Location Recessed Spackle & Visible Flange Installation Instructions

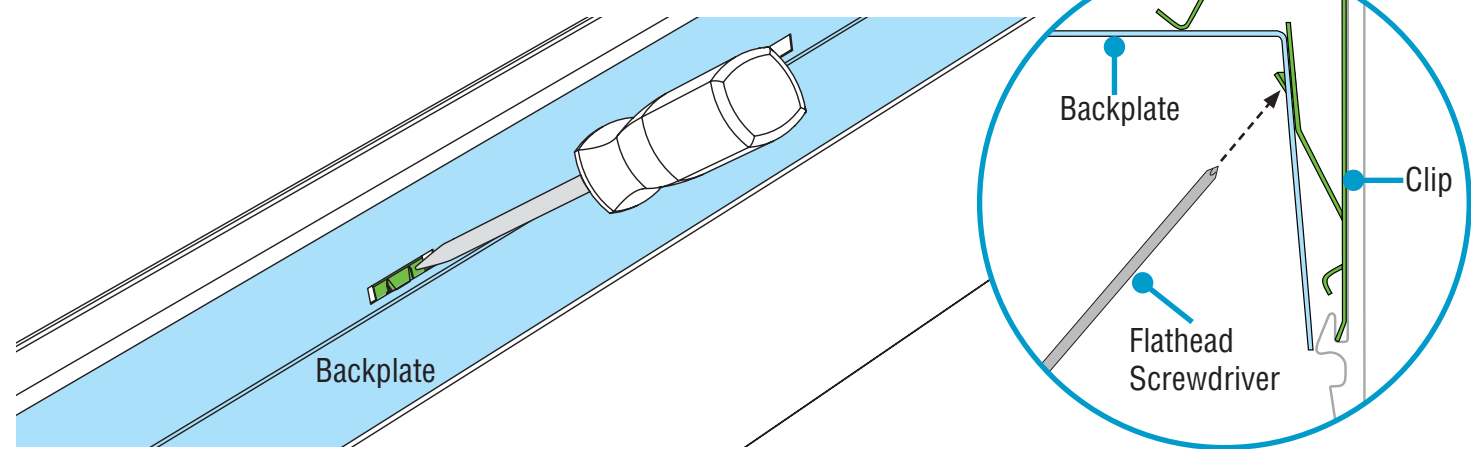
## Step 3 - Opening Luminaires

### Release Backplates **Top-Down View**

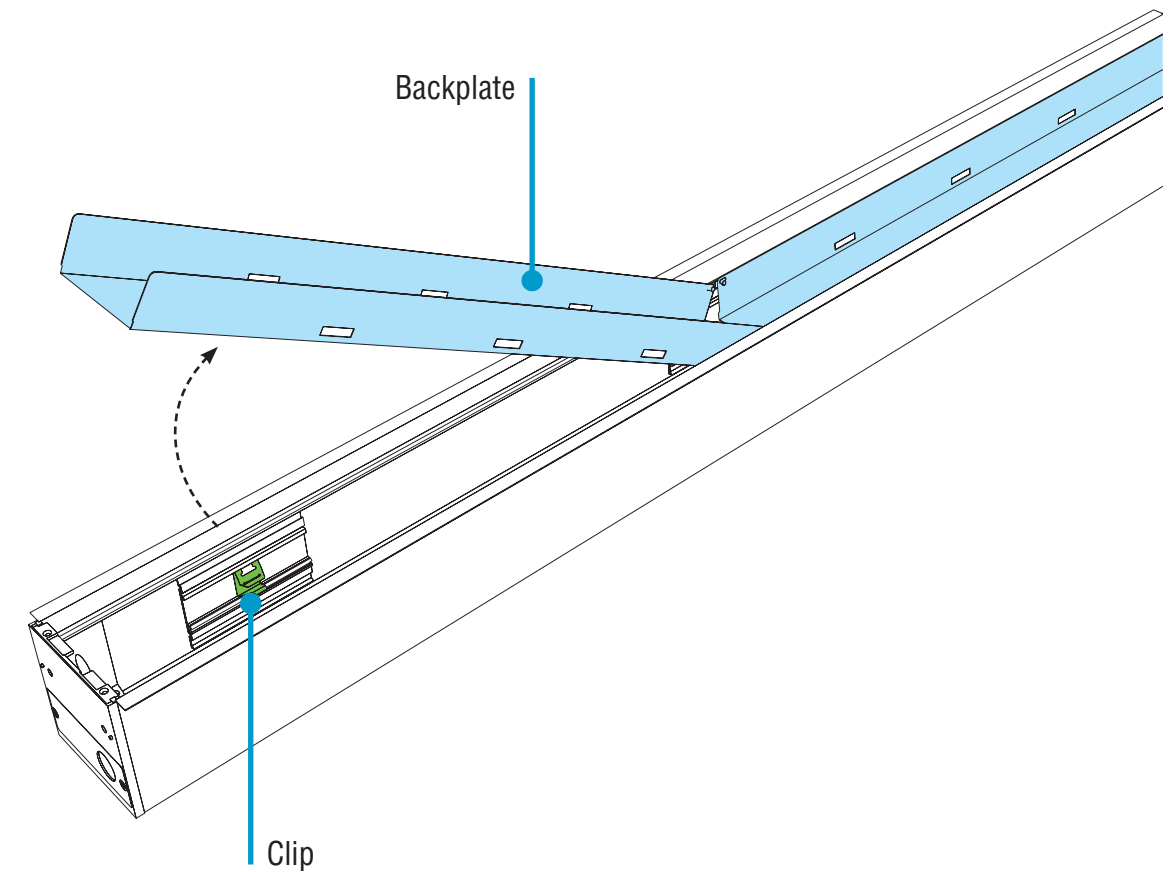
Putty Knife Option



Flathead Screwdriver Option



- Open all backplates for access to mounting points.
- Release the backplates from clips by sliding the blade of a putty knife behind backplate edges.
- To use a flathead screwdriver: From inside backplate, press end of screwdriver against the clip until the backplate is released.



- Carefully rotate backplates out and let them hang from luminaire body.

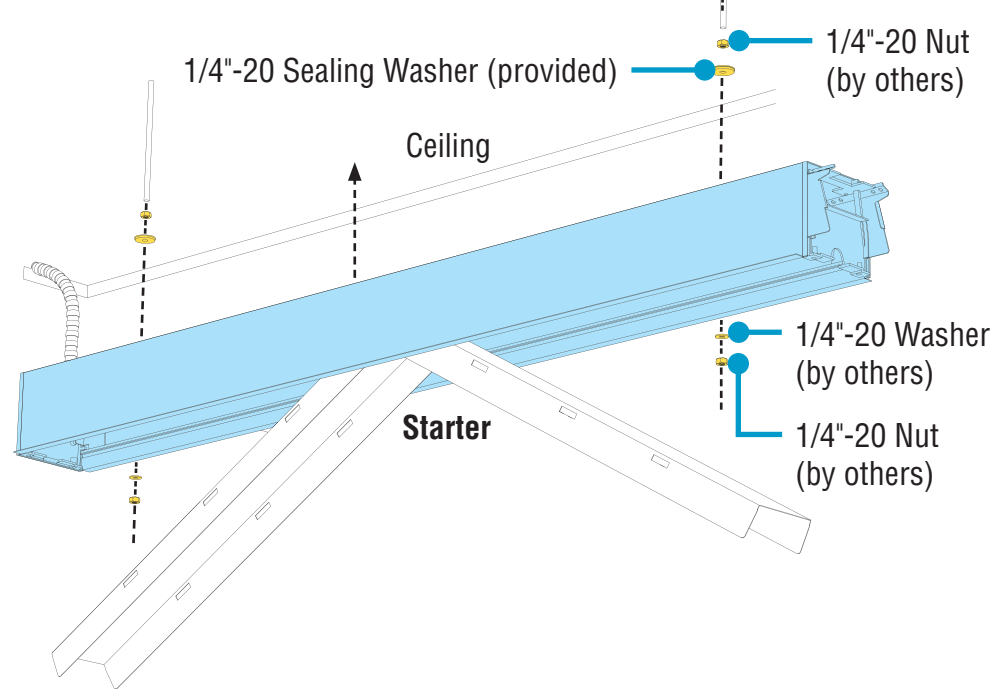


Effortless  
Access

# HP-4 Wet Location Recessed Spackle & Visible Flange Installation Instructions

## Step 4 - Mounting Starter to Structure

### A. Mount Starter to Structure Bottom-Up View



#### Option 1 (Shown) - Mount to Threaded Rod

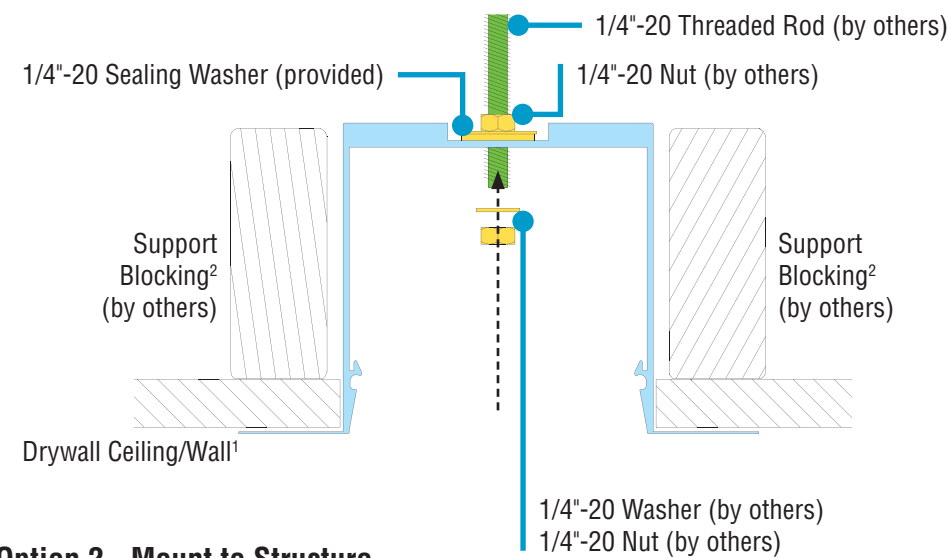
- While properly supporting luminaire, make electrical connections at ENDCAP or at TOP.
- Align threaded rods with mounting holes and slide luminaire into wall/ceiling.
- Install 1/4"-20 nut and 1/4"-20 washer onto 1/4"-20 threaded rod.
- **NOTE:** If installing a joiner luminaire in the next step, leave the nut loose, allowing the luminaire to hang out of ceiling at an angle.
- If there is no joiner/ender, then tighten nuts fully. **PROCEED TO STEP 7.**

#### Option 2 - Mount to Structure

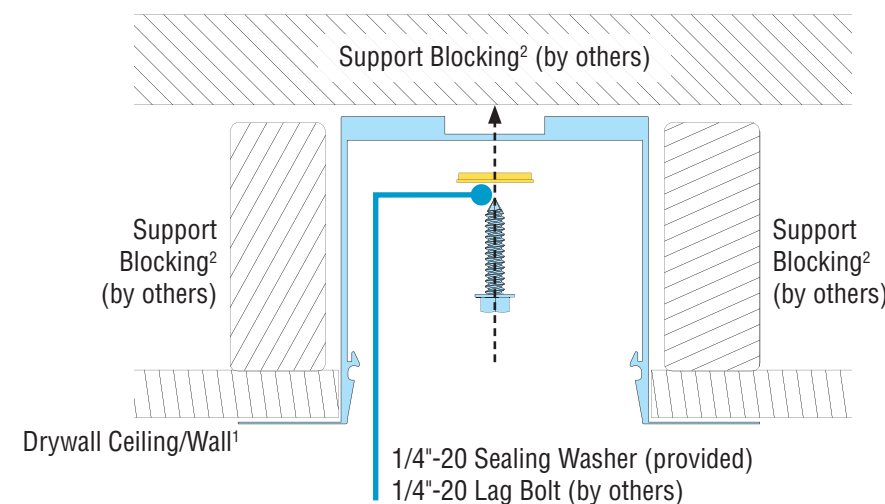
- While properly supporting luminaire, make electrical connections at ENDCAP or at TOP.
- Slide luminaire into wall/ceiling and mount to structure support with hardware appropriate for the structure type.
- **NOTE:** If installing a joiner luminaire in the next step, leave the bolt/screw loose, allowing luminaire to hang out of ceiling at an angle.
- If there is no joiner/ender, then tighten nuts fully. **PROCEED TO STEP 7.**

### Spackle Flange Side View

#### Option 1 (Shown) - Mount to Threaded Rod

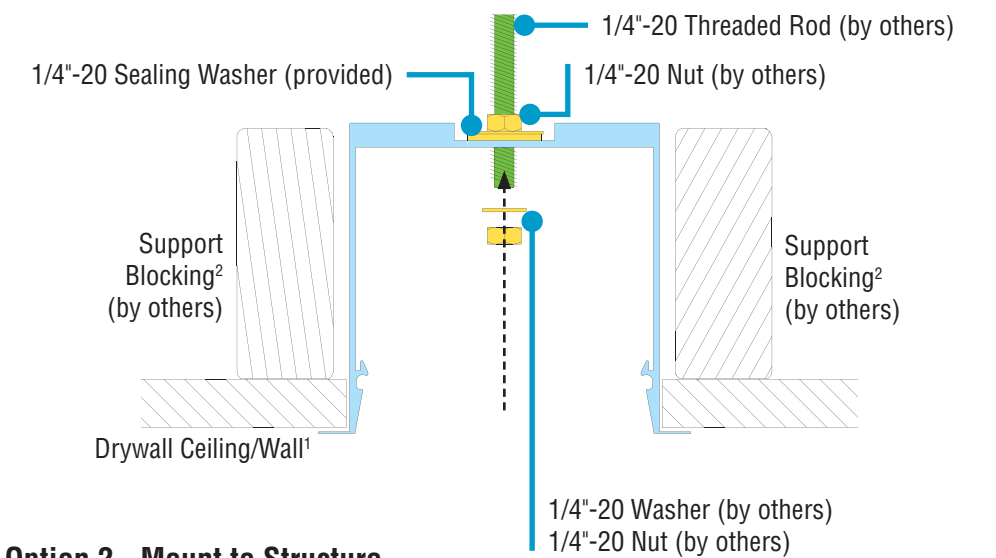


#### Option 2 - Mount to Structure

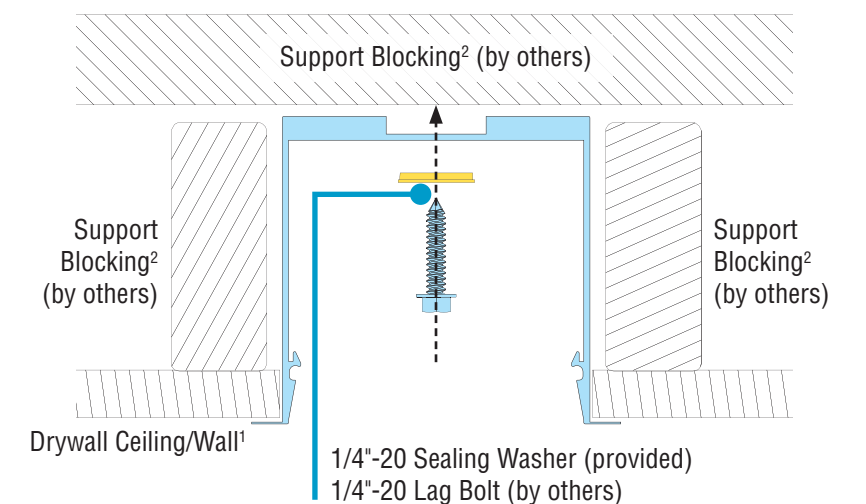


### Visible Flange Side View

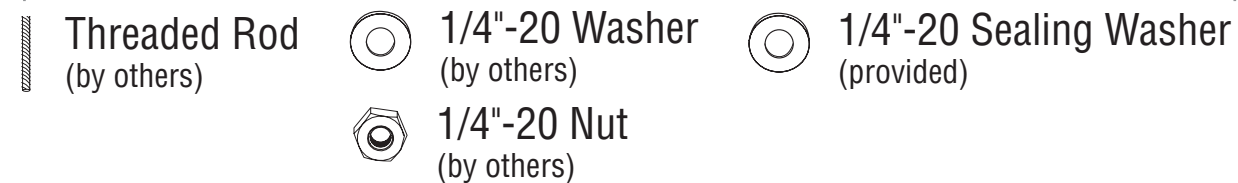
#### Option 1 (Shown) - Mount to Threaded Rod



#### Option 2 - Mount to Structure



#### Mounting Option 1



#### Mounting Option 2



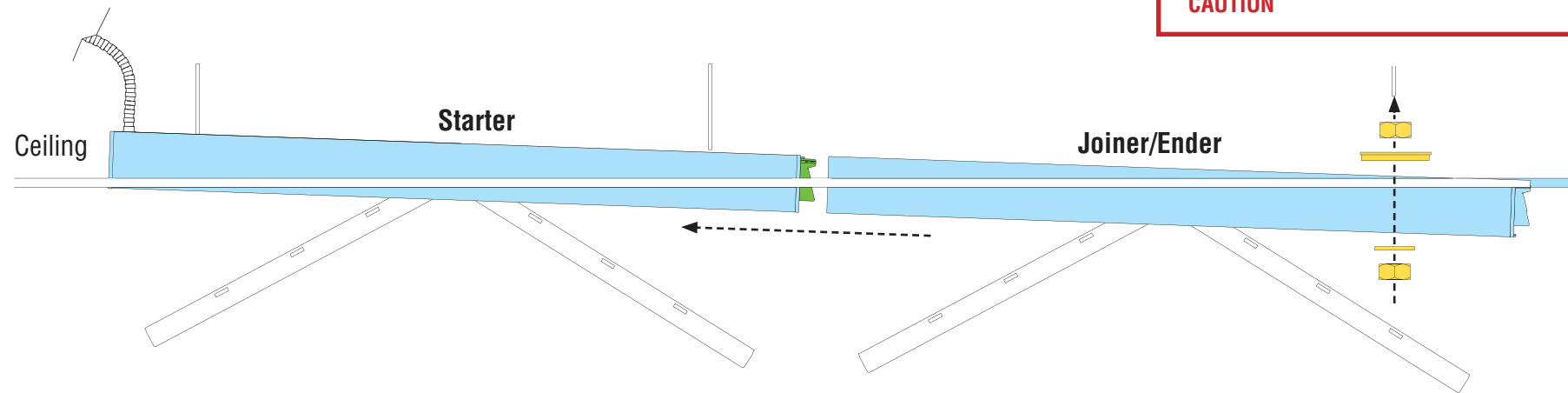
<sup>1</sup> Wall/ceiling surface = drywall, wood, concrete or masonry, metal panels, tile, etc.

<sup>2</sup> Support blocking = wooden beams/studs, sheet metal framing beams, steel beams, concrete beams, etc. Use hardware appropriate to the beam material.

# HP-4 Wet Location Recessed Spackle & Visible Flange Installation Instructions

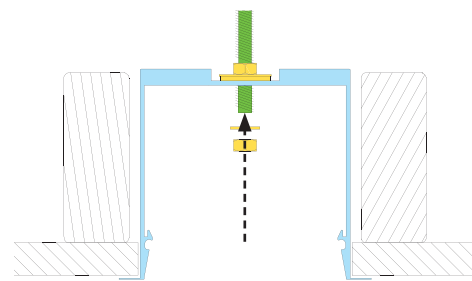
## Step 5 - Joining Luminaires

### A. Mount Joiner/Ender to Structure Side View



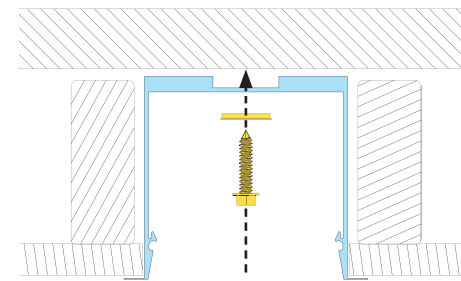
**CAUTION**  **DO NOT** attempt to join luminaires together on the floor. Damage may result when lifted. Follow these instructions.

- While properly supporting luminaire, maneuver luminaire near wall/ceiling opening.
- If necessary, loosen bolts on previous luminaire so that it can hang out of the opening at an angle.
- After installing a joiner, return to previous luminaire and tighten.



#### Option 1 (Shown) - Mount to Threaded Rod

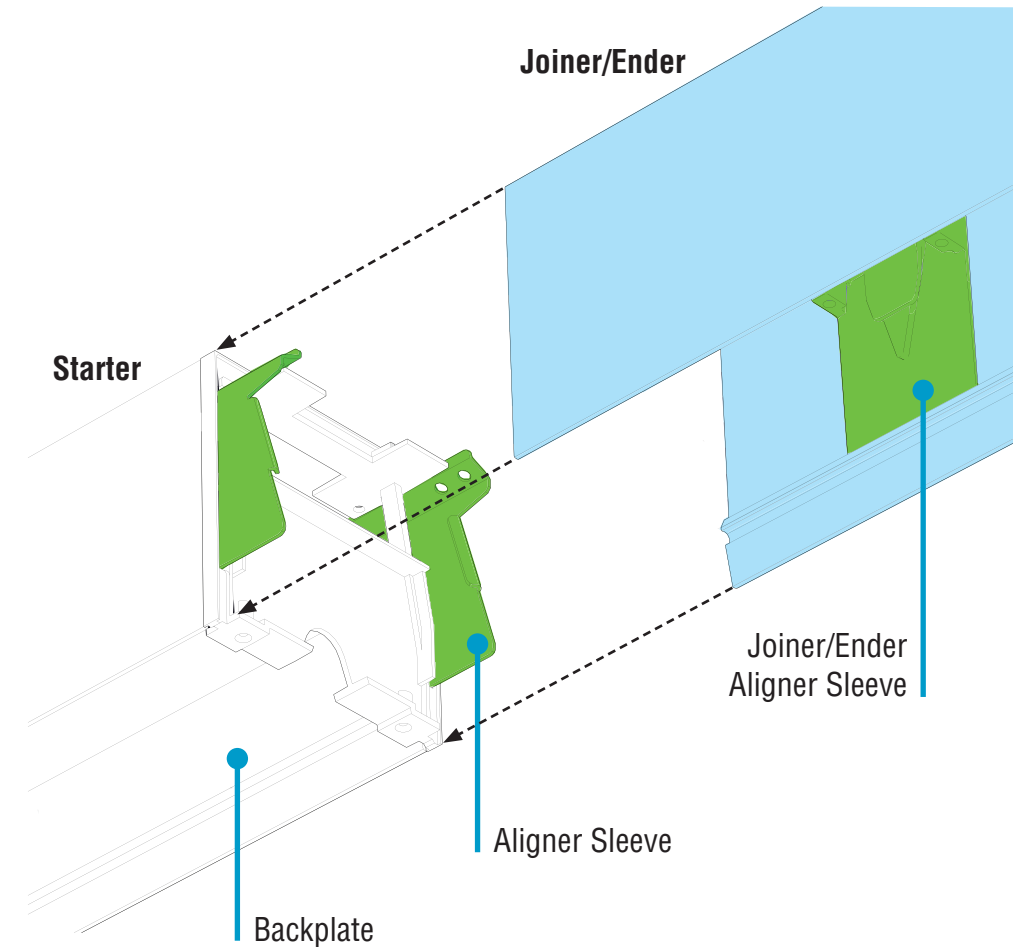
- Align threaded rods with mounting holes and slide luminaire into wall/ceiling.
- Install 1/4"-20 nut and 1/4"-20 washer onto 1/4"-20 threaded rod.
- **CRITICAL:** If installing a joiner luminaire in the next step, leave the nut loose, allowing the luminaire to hang out of ceiling at an angle.
- If there is no joiner/ender, then tighten nuts fully.



#### Option 2 - Mount to Structure





- Slide luminaire into wall/ceiling and mount to structure support with hardware appropriate for the structure type.
- **CRITICAL:** If installing a joiner luminaire in the next step, leave the bolt/screw loose, allowing luminaire to hang out of ceiling at an angle.
- If there is no joiner/ender, then tighten bolts/screws fully.

### B. Join Luminaires Bottom-Up View





- Align joiner/ender with aligner sleeves on starter and slide together. Be careful not to damage any wiring.
- If necessary, **lift** both luminaires, then slide together.

#### Mounting Option 1

-  Threaded Rod (by others)
-  1/4"-20 Washer (by others)
-  1/4"-20 Sealing Washer (provided)
-  1/4"-20 Nut (by others)

#### Mounting Option 2

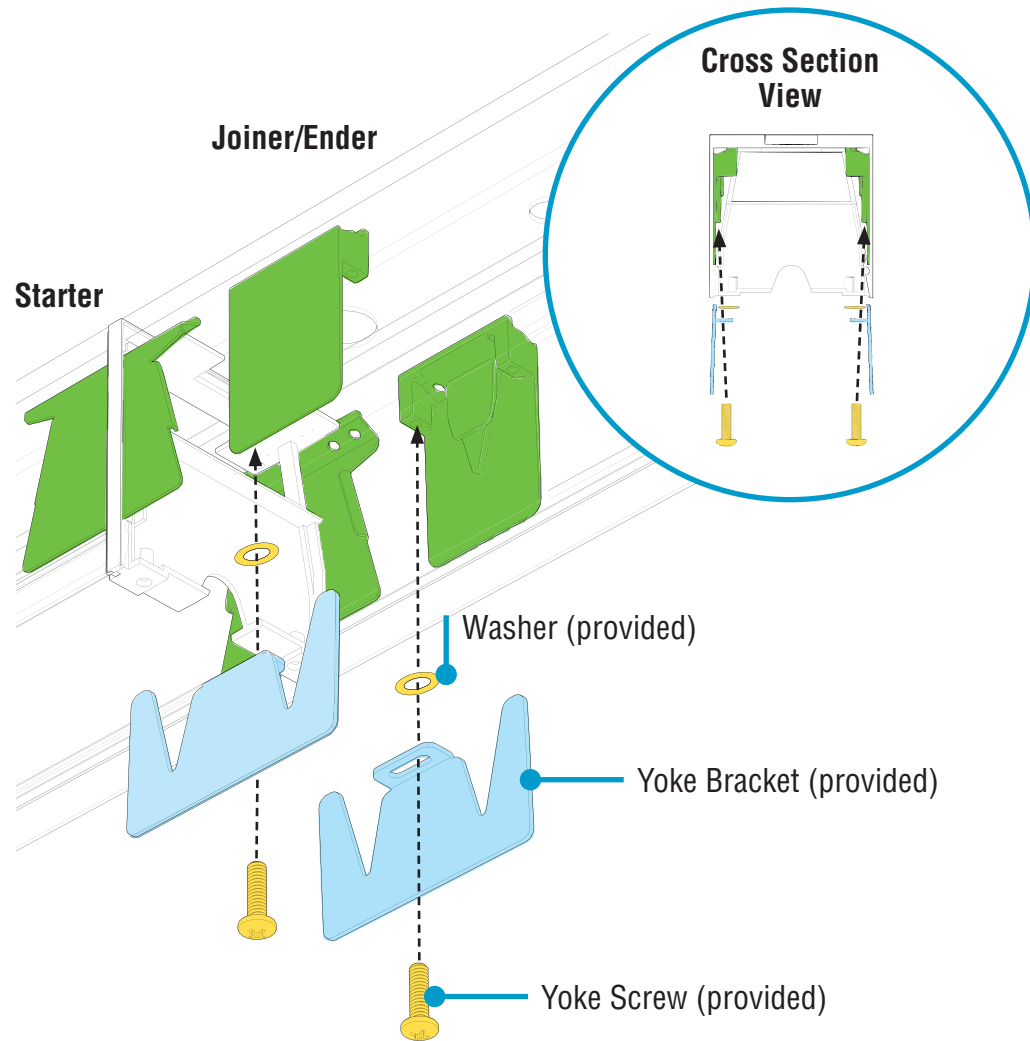
-  1/4"-20 Lag Bolt (by others)
-  1/4"-20 Sealing Washer (provided)



# HP-4 Wet Location Recessed Spackle & Visible Flange Installation Instructions

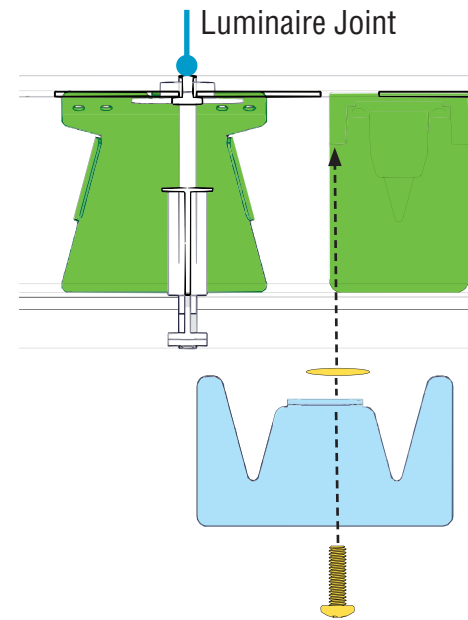
## Step 6 - Securing Luminaire Joints

### A. Secure Joint with Yoke Brackets Bottom-Up View

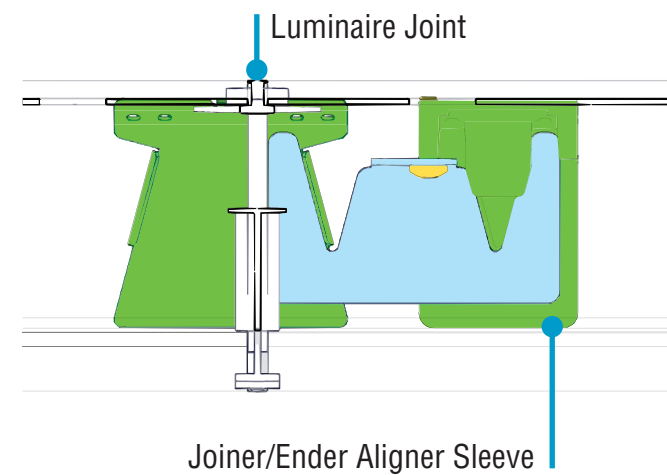


- Before installing yoke brackets, ensure the joining ends of luminaires meet flush and square.
- **CRITICAL:** Ensure yoke brackets properly engage with aligner sleeves.
- Secure joint by threading (but not yet tightening) yoke screws through yoke brackets and washers and into the aligner sleeves.
- Tighten yoke screws<sup>1</sup> until joint seam of luminaires is closed.

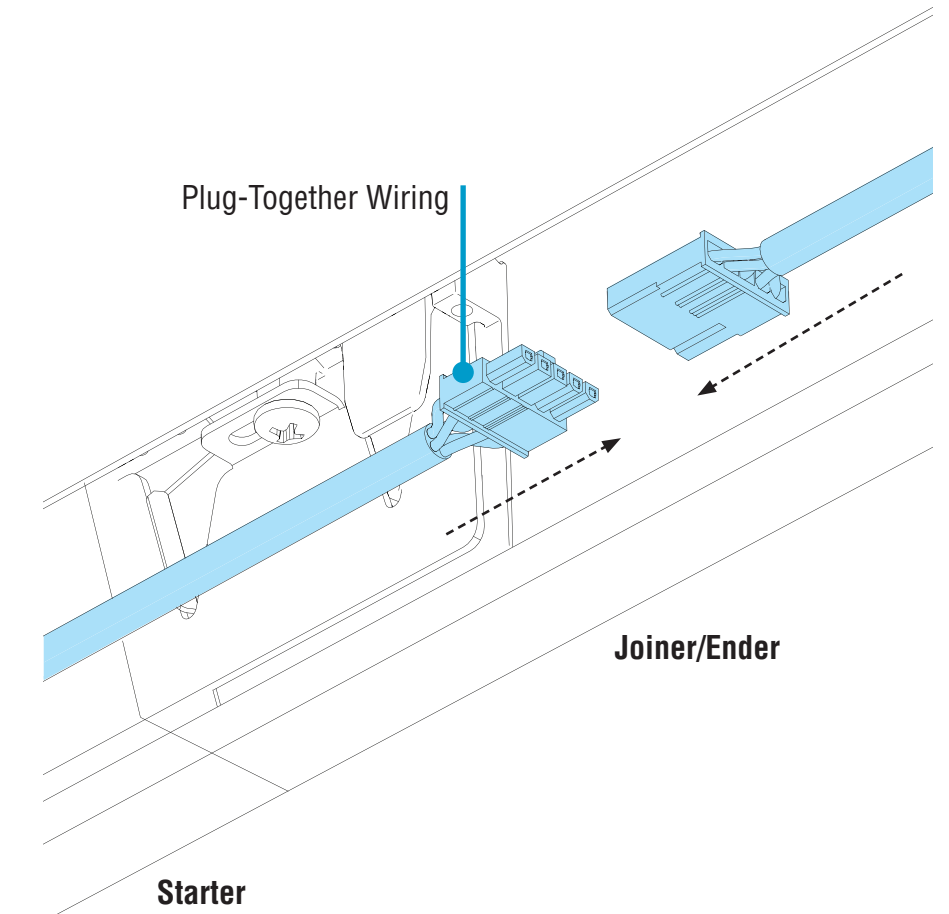
### IN ALIGNMENT



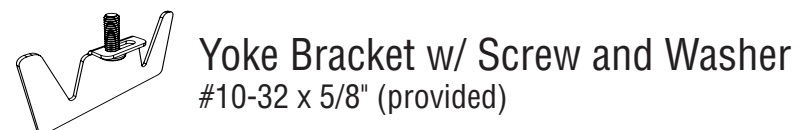
### CORRECTLY INSTALLED



### B. Make Electrical Connections Bottom-Up View



- Connect plug-together wiring.



<sup>1</sup> Screwdriver with 6" bit required.

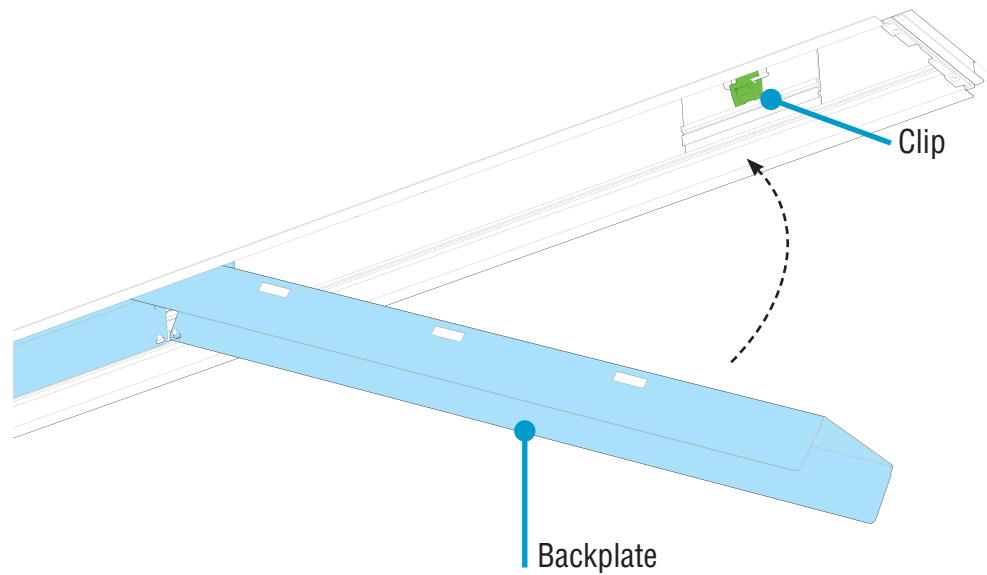


Simple  
Plug-Together  
Wiring

# HP-4 Wet Location Recessed Spackle & Visible Flange Installation Instructions

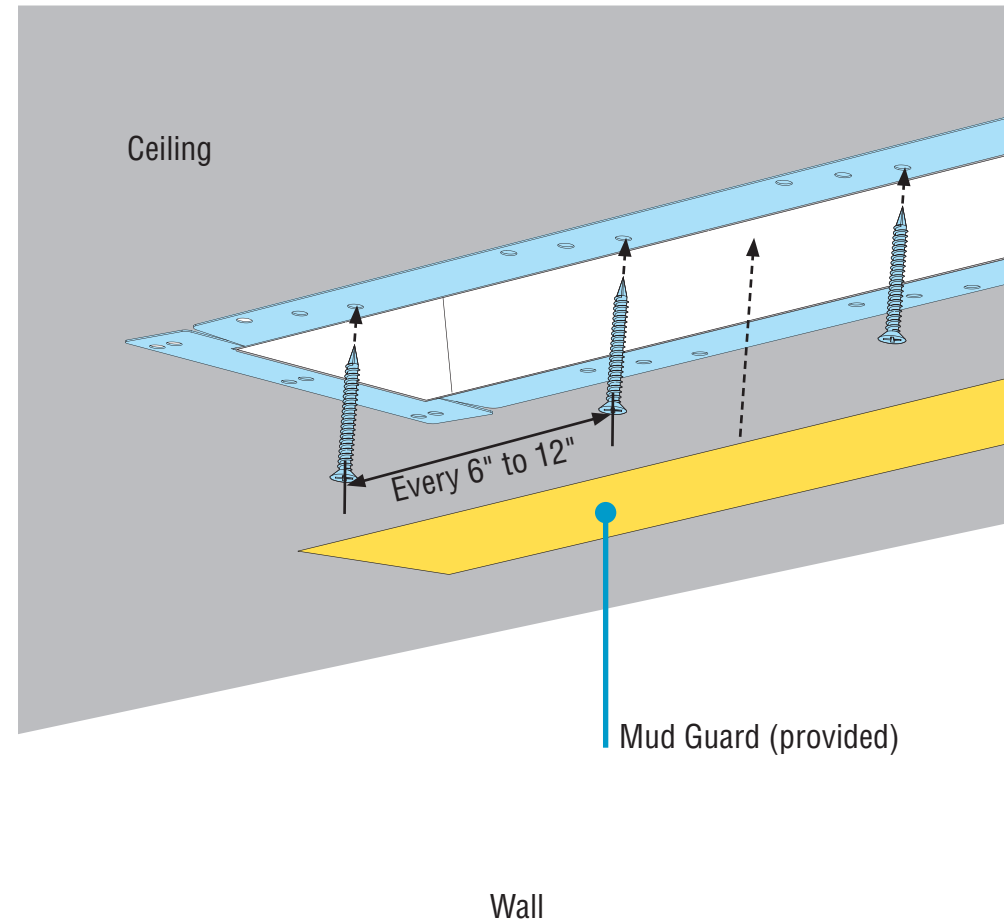
## Step 7 - Closing Luminaires

### A. Close All Backplates Bottom-Up View



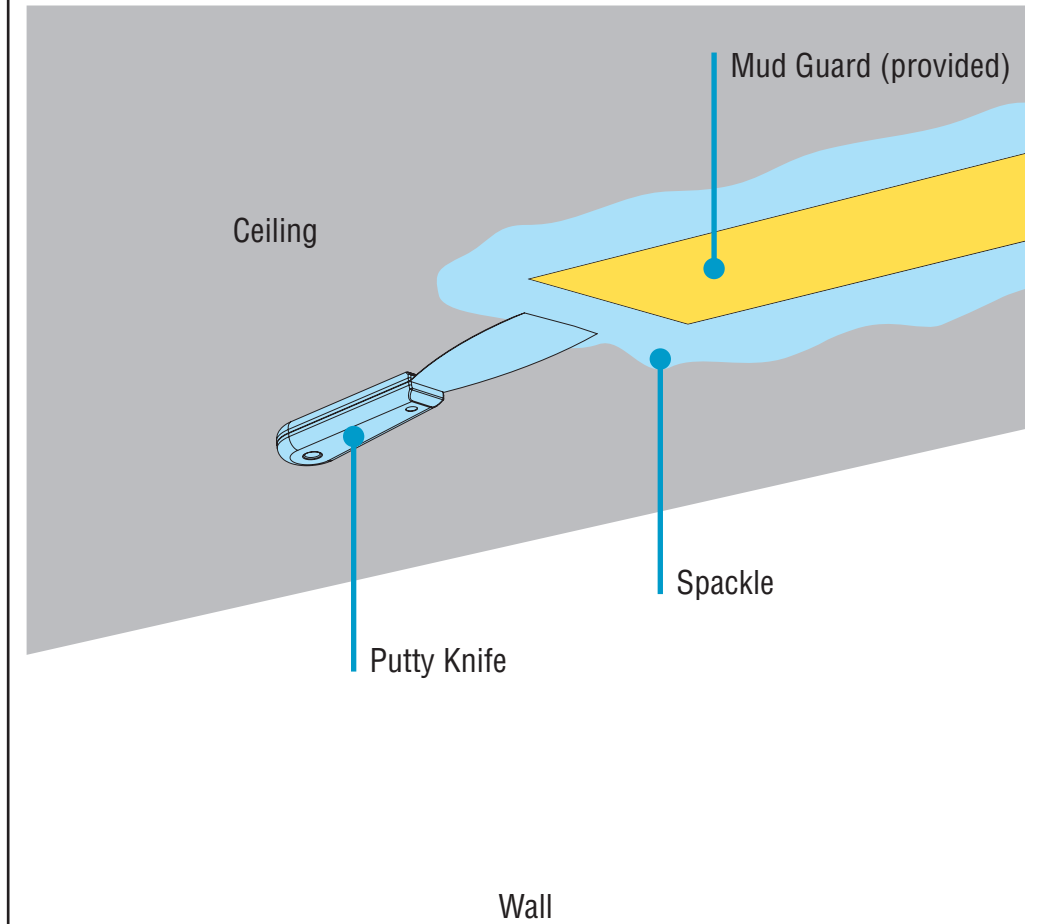
- Reinstall **all** backplates by snapping into clips.

### B. Secure Flange To Structure Spackle Flange Only

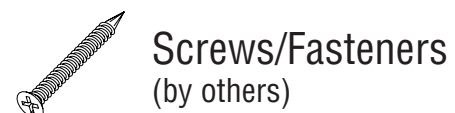


- Secure spackle flanges to wall/ceiling using appropriate screws or fasteners<sup>1</sup> for hard surface, per local building codes.
- Install the "mud guards" cardboard inserts to help prevent spackle and paint from getting into the luminaire.

### C. Apply Spackle Spackle Flange Only



- Spackle and paint over flanges up to luminaire edge.
- **CAUTION:** Careful not to drop spackle into luminaire. Immediately wipe off excess spackle that may have gotten onto luminaire edges.
- Perform all spackling and painting to walls and ceiling prior to removing "mud guards."
- Remove all mud guards.



<sup>1</sup> Screws or fasteners: drywall - drywall screws, wood - wood screws, etc.

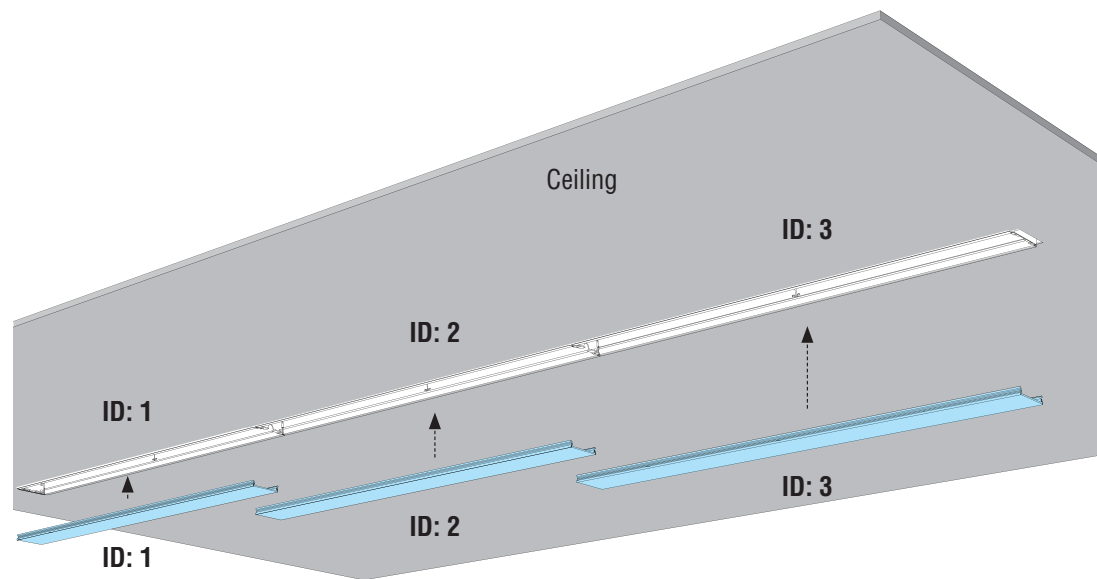
CONTINUED

# HP-4 Wet Location Recessed Spackle & Visible Flange

## Installation Instructions

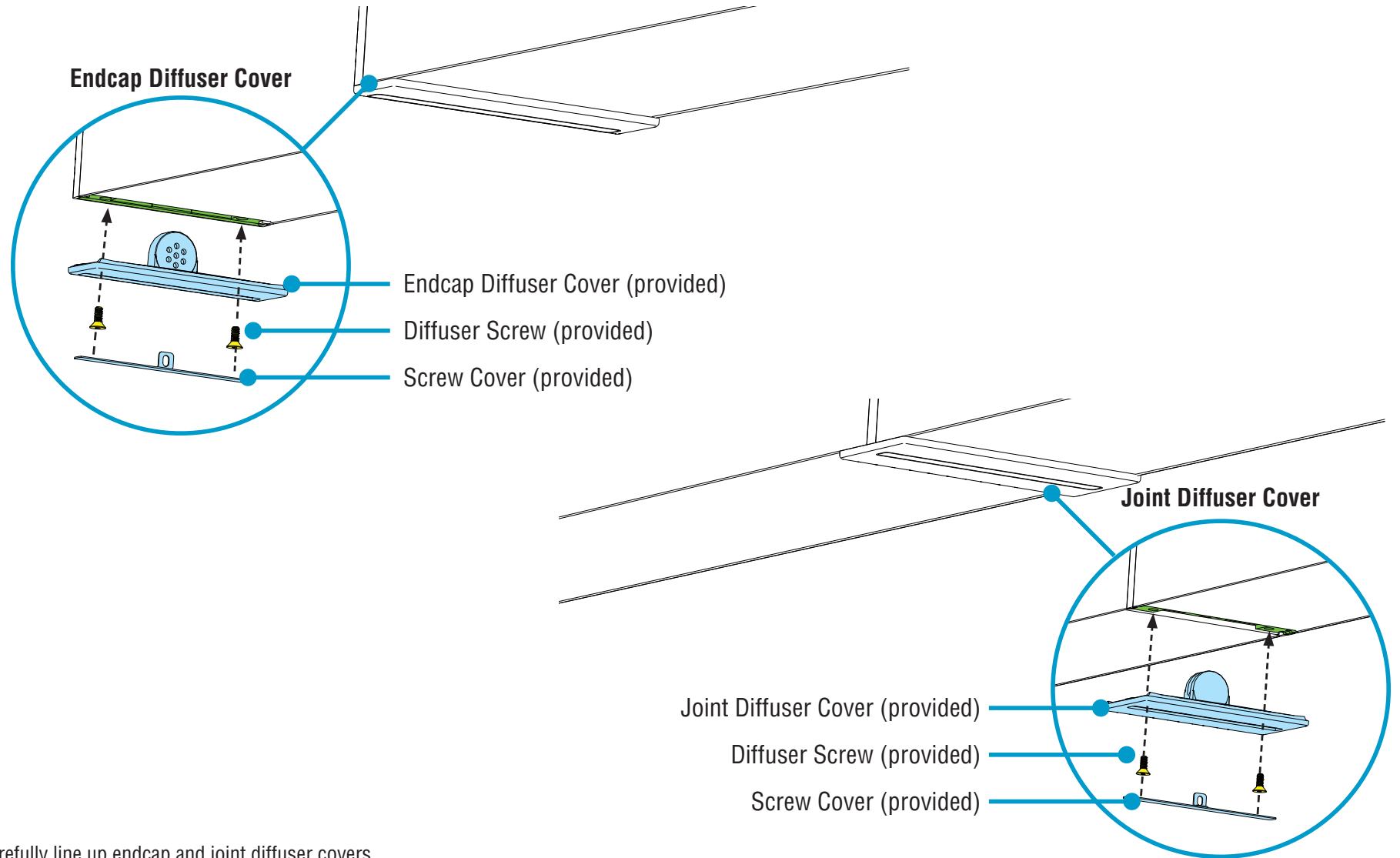
### Step 7 - Closing Luminaires

#### D. Replace Diffusers Bottom-Up View



- **NOTE:** If your installation includes a battery backup, please see addendum (98333) that should be included with your kitting package.
- Remove diffusers from protective plastic bag.
- **CAUTION:** Wear gloves to keep diffuser surface clean.
- **CRITICAL:** Be sure to install correct diffuser to its corresponding luminaire ID.
- Install diffusers into luminaire body, ensuring they snap into place.

#### B. Final Step - Install Endcap & Joint Diffuser Covers



- Carefully line up endcap and joint diffuser covers.
- Secure using screws provided, place screw cover on end cap and joint diffuser cover. Ensure screw cover lays flat; if not, flip 180°.
- Install all endcap and joint diffuser covers.
- Turn power on to luminaire.

