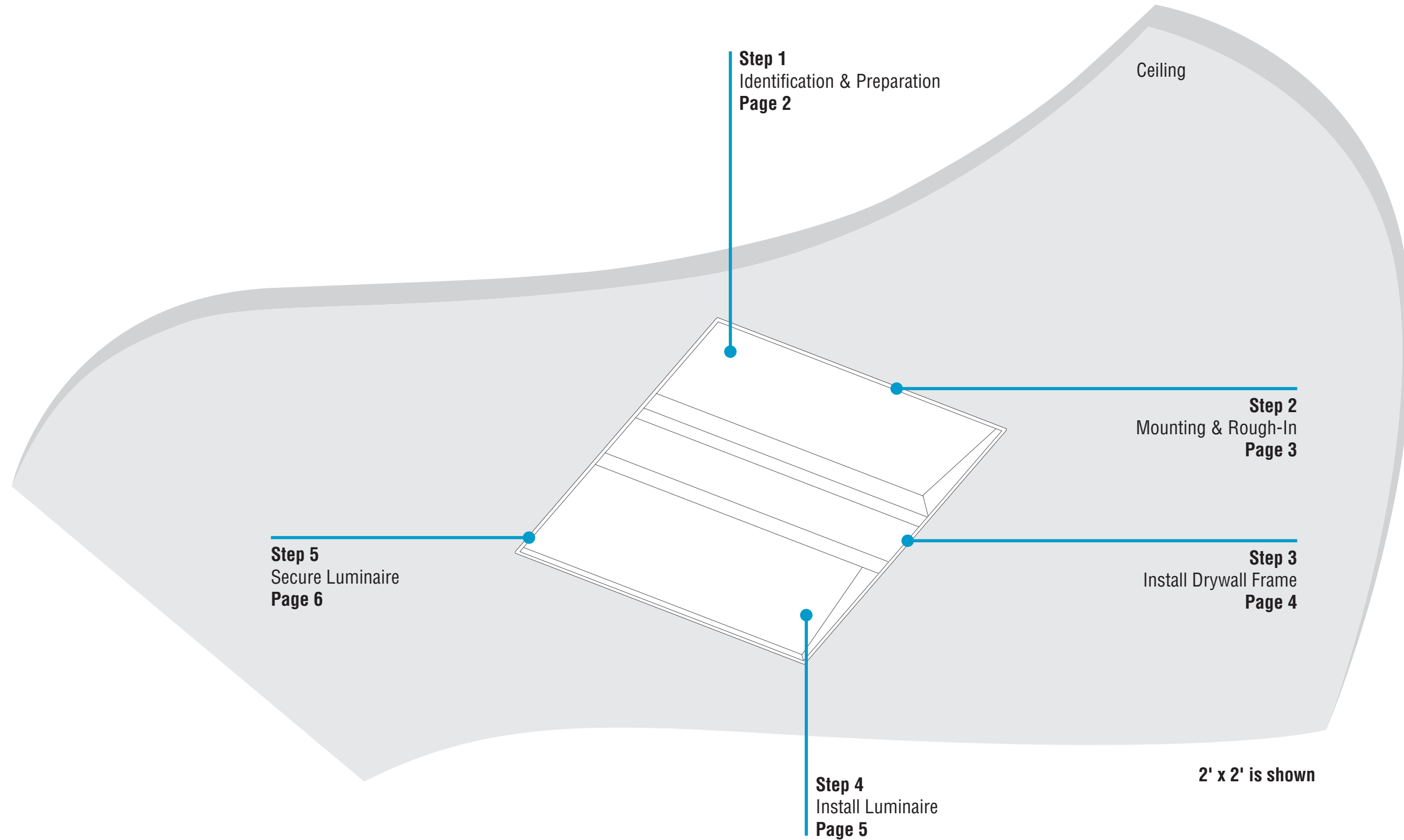


HPR Drywall Frame Kit Installation Instructions

Overview

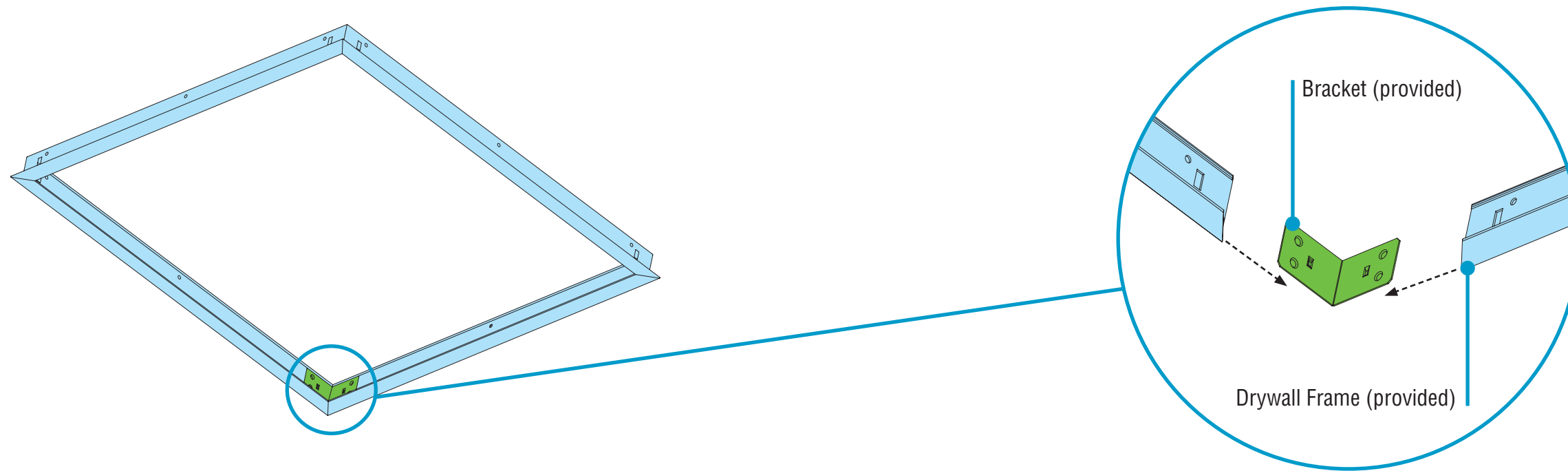
NOTE | • This installation requires **proper support** as each luminaire is being installed.



HPR Drywall Frame Kit Installation Instructions

Step 1 - Identification & Preparation

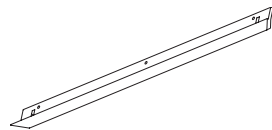
Assemble Drywall Frame Bottom-Up View



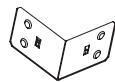
- Slide drywall frame pieces onto brackets until they lock into place.

Kitted Hardware

- Finelite has provided items listed here, with their Finelite part numbers. These items can be found in separate boxes shipped with the luminaire.
- Account for all parts and set aside until they are needed.
- All other hardware needed for this installation will be by others.



Drywall Frame Piece
1' - Part# 64165
2' - Part# 64166
4' - Part# 64168
Identification & Preparation
p. 2, Step 1
Install Drywall Frame
p. 4, Step 3

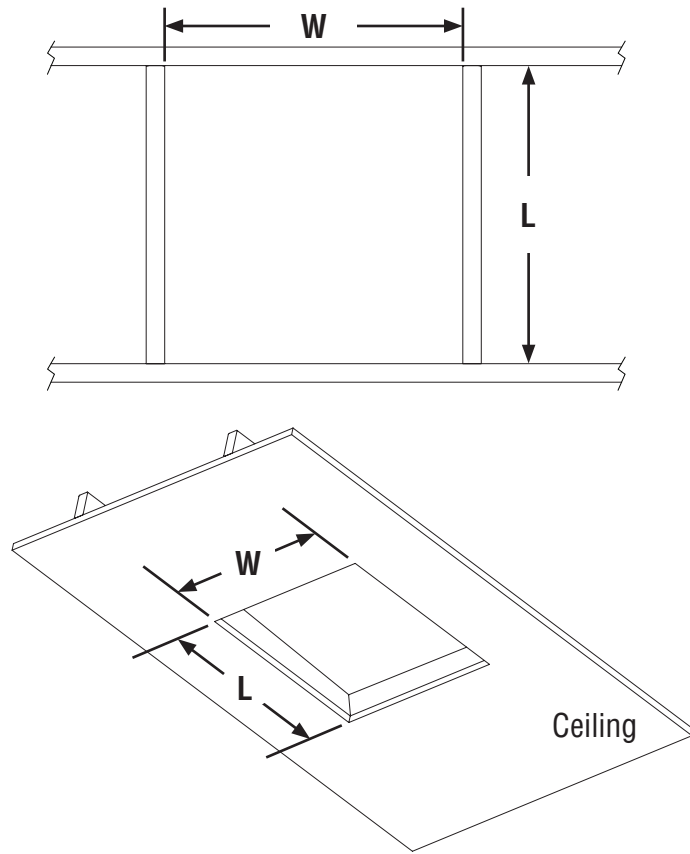


Bracket
Part# 64169
Identification & Preparation
p. 2, Step 1

HPR Drywall Frame Kit Installation Instructions

Step 2 - Mounting & Rough-In

A. Mounting Measurements Bottom-Up View

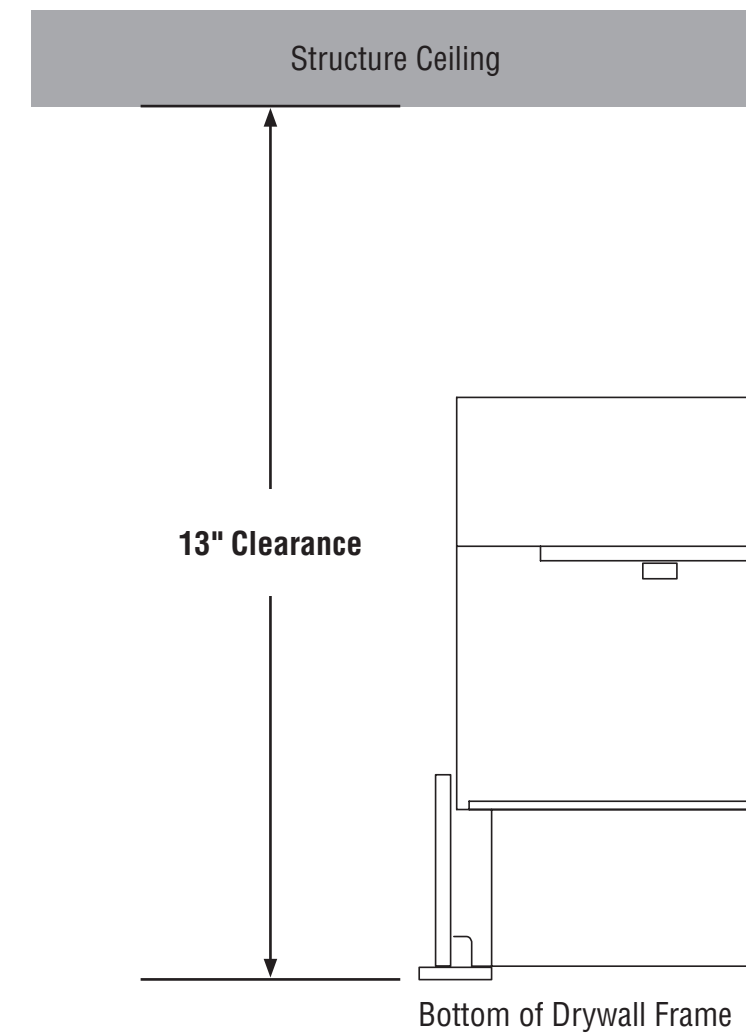


Luminaire Size (ft)	W (in)	L (in)
1 x 2	12-1/6	24-1/6
1 x 4	12-1/6	48-1/16
2 x 2	24-1/16	24-1/16
2 x 4	24-1/16	48-1/16

Tolerance: +/- 1/8"

- Refer to Record Drawings and building plans to determine exact mounting and power feed locations.
- Using proper backing. Drywall or weak paneling must be secured to support blocking (studs) around wall/ceiling.

B. Drywall Frame Clearance Side View

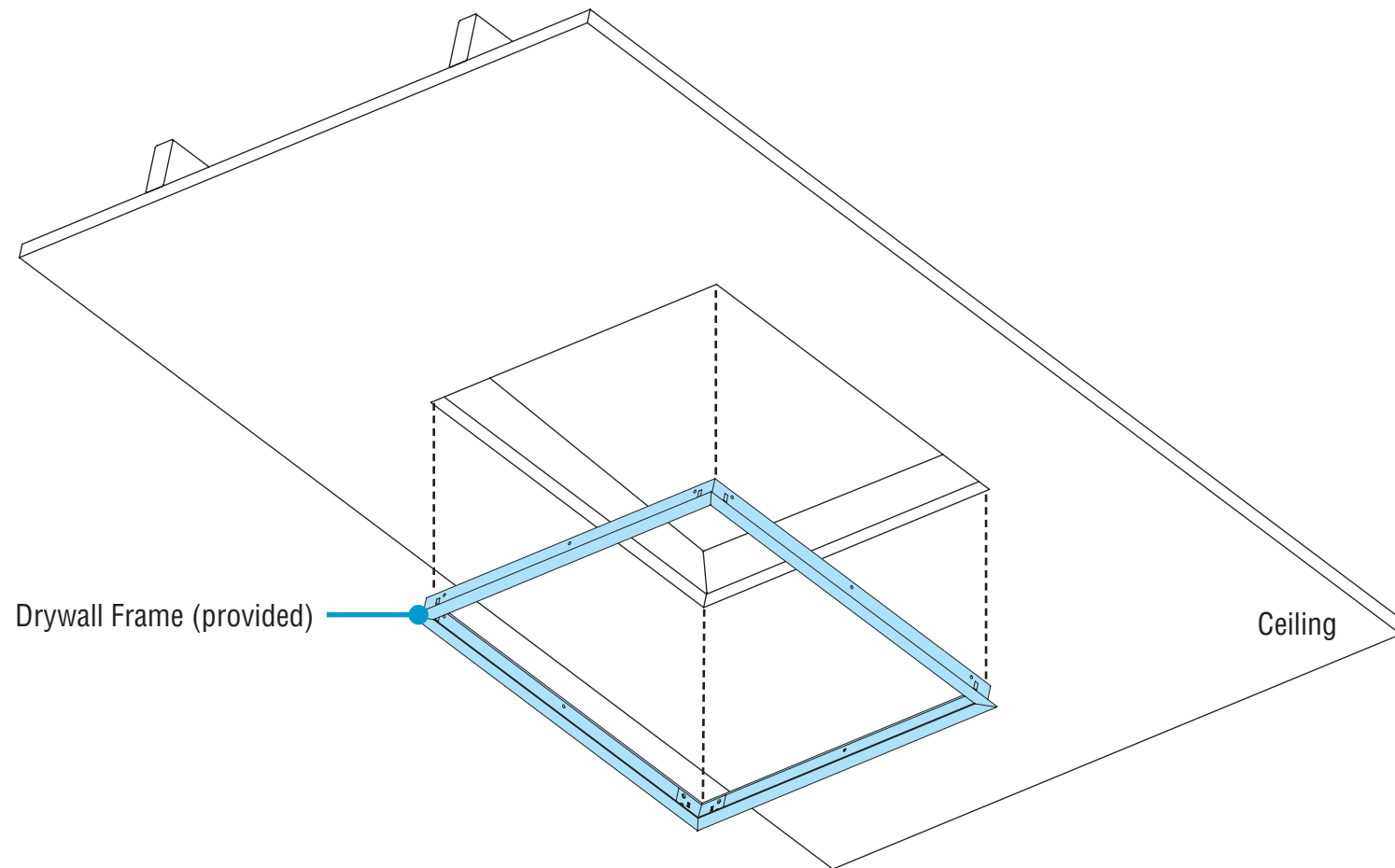


- Minimum height is 13" from bottom of drywall frame to structure ceiling.

HPR Drywall Frame Kit Installation Instructions

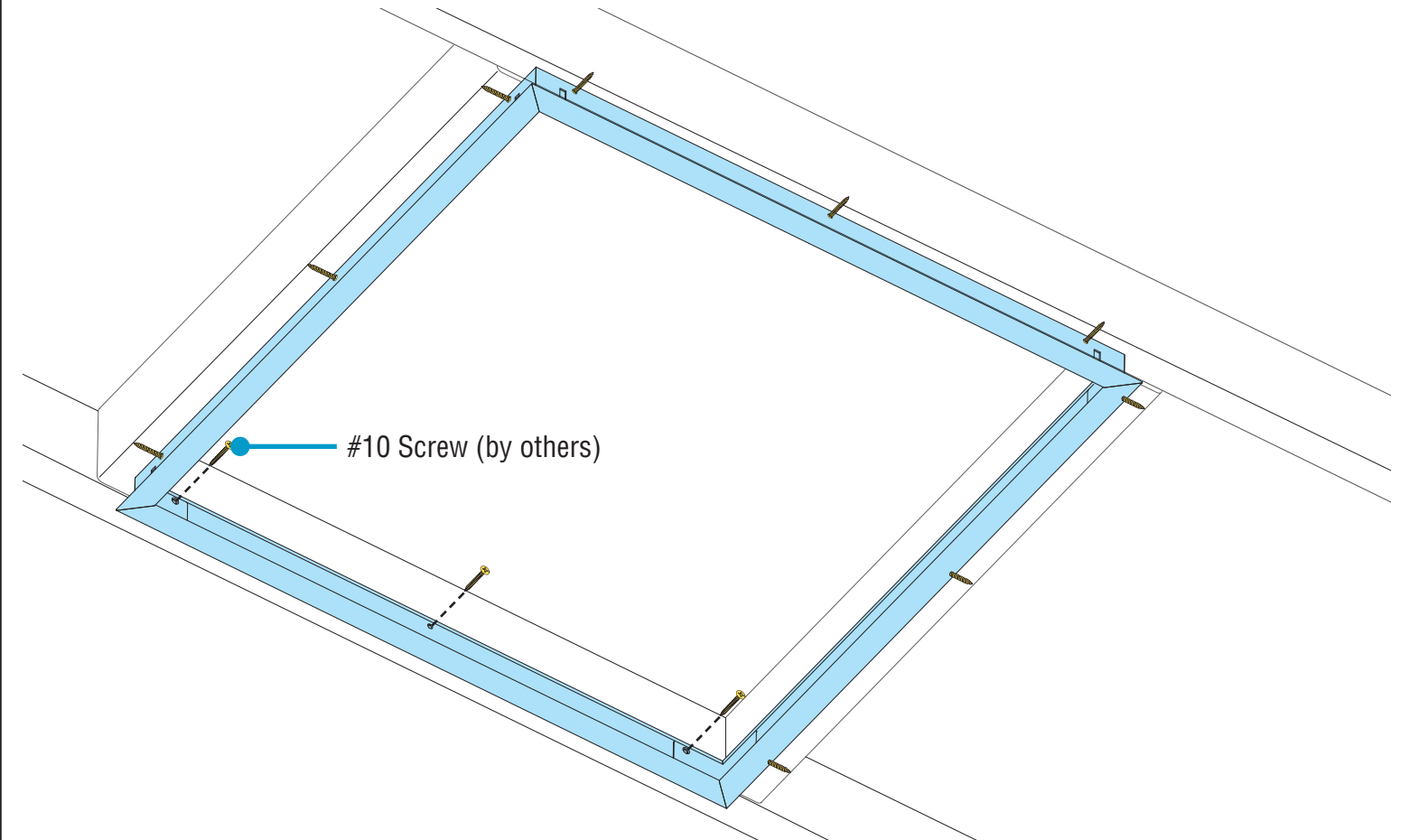
Step 3 - Install Drywall Frame

A. Install Drywall Frame Bottom-Up View

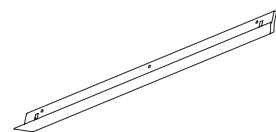
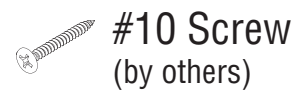


- Fit drywall frame to backing into rough-in opening.

B. Secure Drywall Frame Bottom-Up View



- Fasten drywall frame to support blocking using proper fasteners through holes in the drywall frame kit.
- Secure using three #10 screws on each side of the drywall frame (12 total).

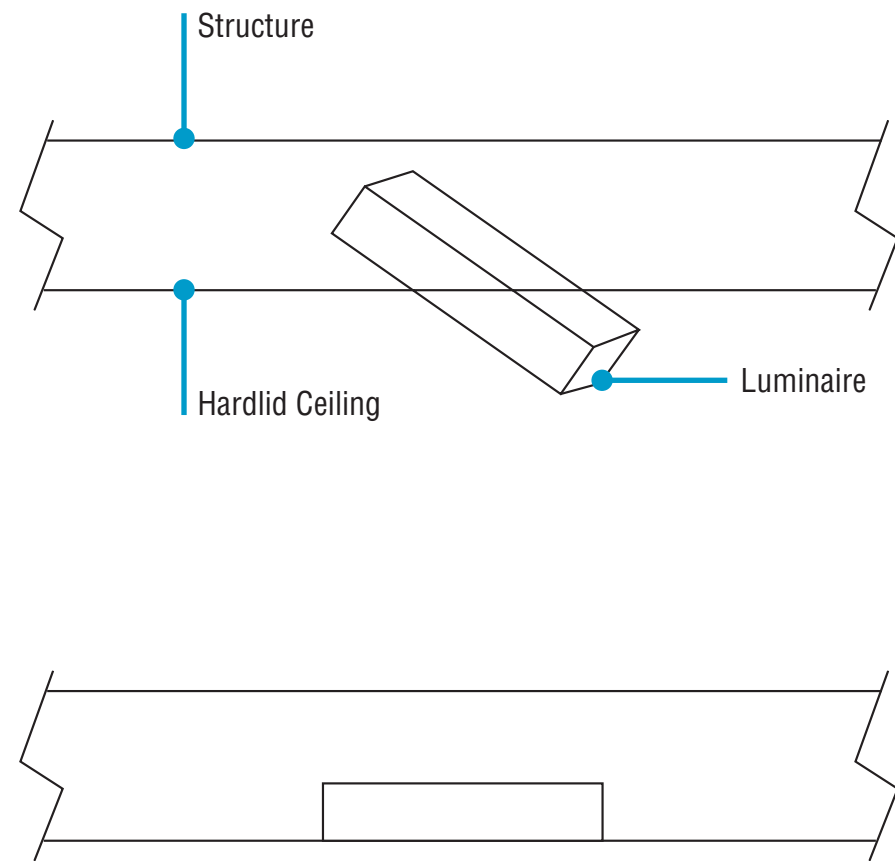


Drywall Frame Piece
(provided)

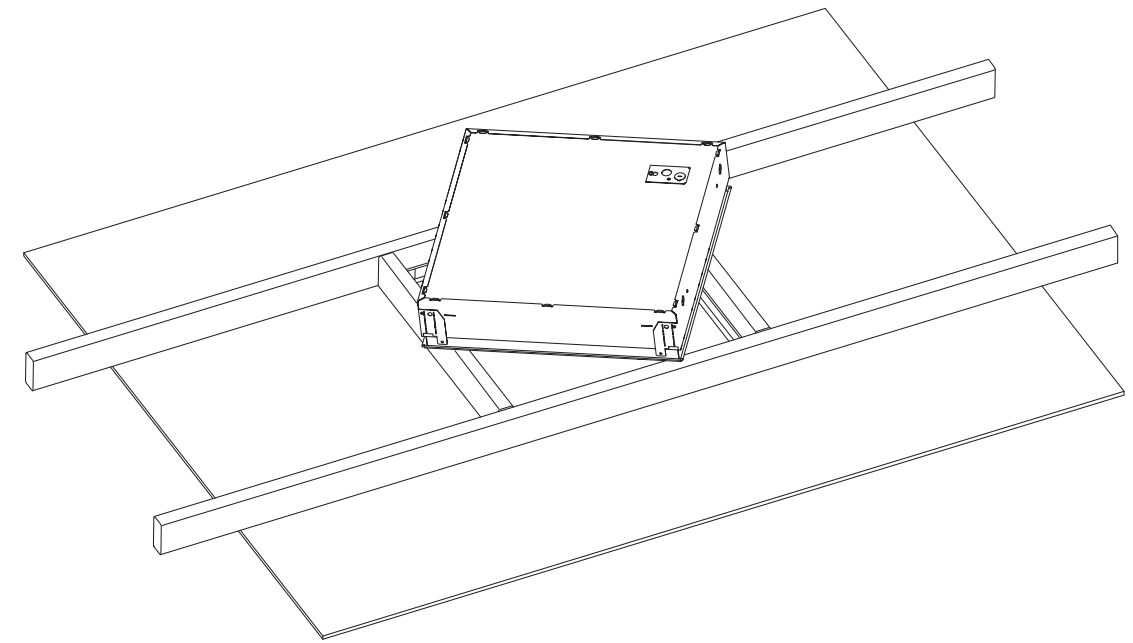
HPR Drywall Frame Kit Installation Instructions

Step 4 - Install Luminaire

Install Luminaire Side View



Top-Down View

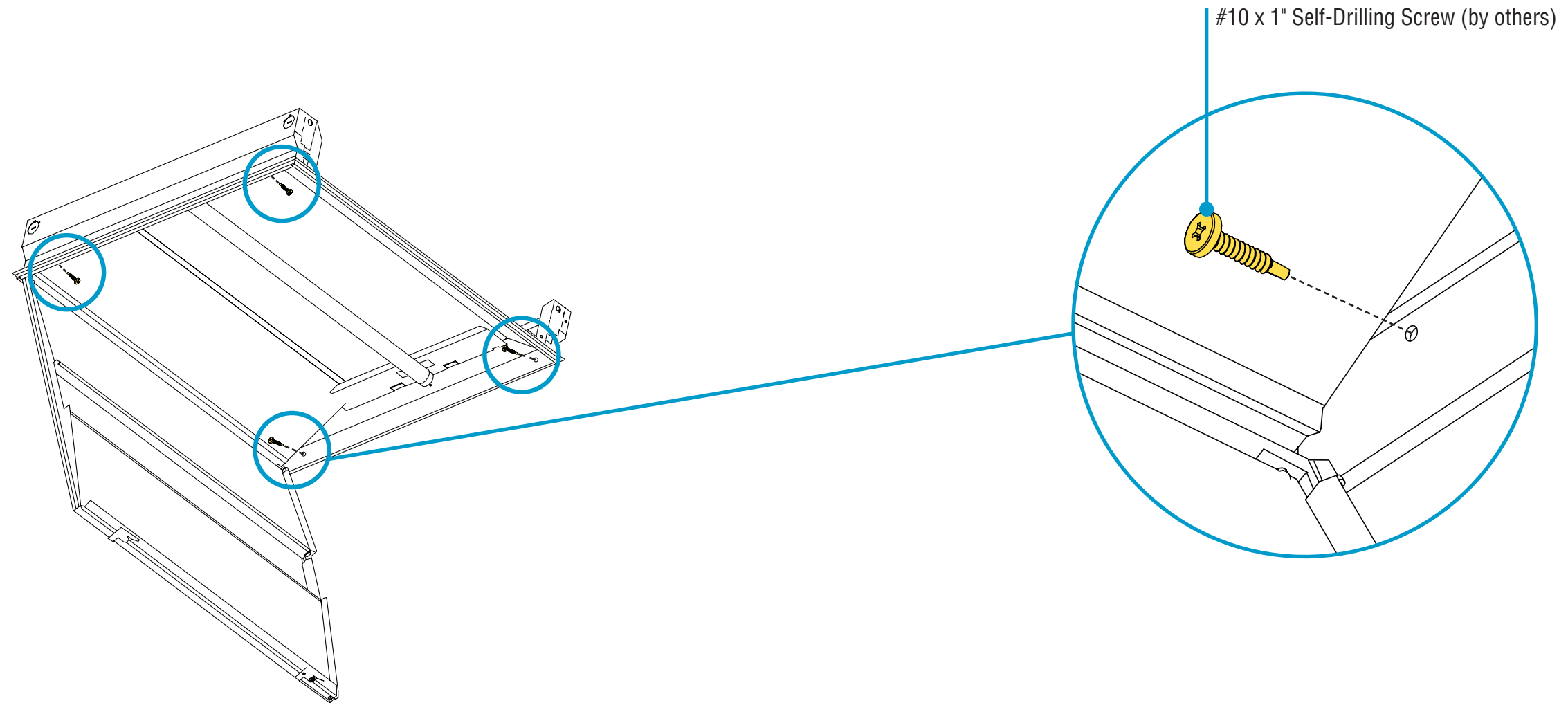


• Refer to Luminaire Installation Instructions.

HPR Drywall Frame Kit Installation Instructions

Step 5 - Secure Luminaire

Secure Luminaire Bottom-Up View



- Once luminaire is installed, secure luminaire to the drywall frame kit using four #10 x 1" self-drilling screws.

