

# FINELITE

## High Performance Recessed (HPR LED) 1x2, Surface Mount



HPR LED Collection  
2011 IES Progress  
Report Selection

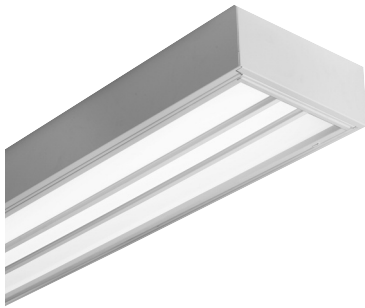


Date

Project

Type

Comments

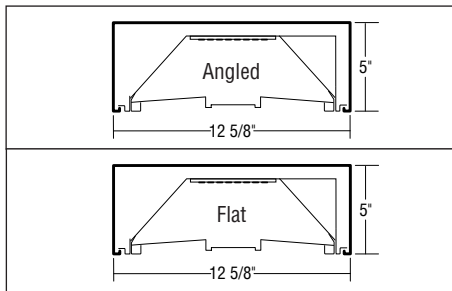


Refer to page 2 for all door styles

### DESCRIPTION

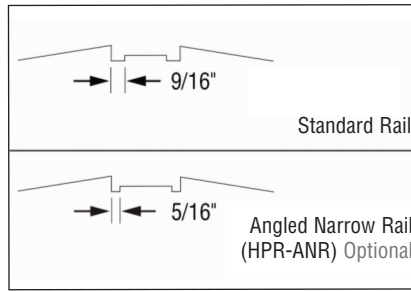
HPR LED Surface Mount is a highly efficient luminaire delivering excellent visual comfort and outstanding performance.

This Product is enrolled in the International Living Future Institute (ILFI) Declare 2.0 Program and is third-party verified with options achieving Red List Approved and Declared status.



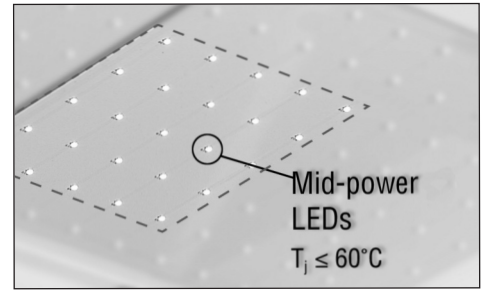
Shown with Surface Mount kit

### DIMENSIONS



### ANGLED NARROW RAIL OPTION

Available in angled door style with the same center optic choices. The optional narrow rails are approximately 5/16" wide. The standard center rails are approximately 9/16" wide.

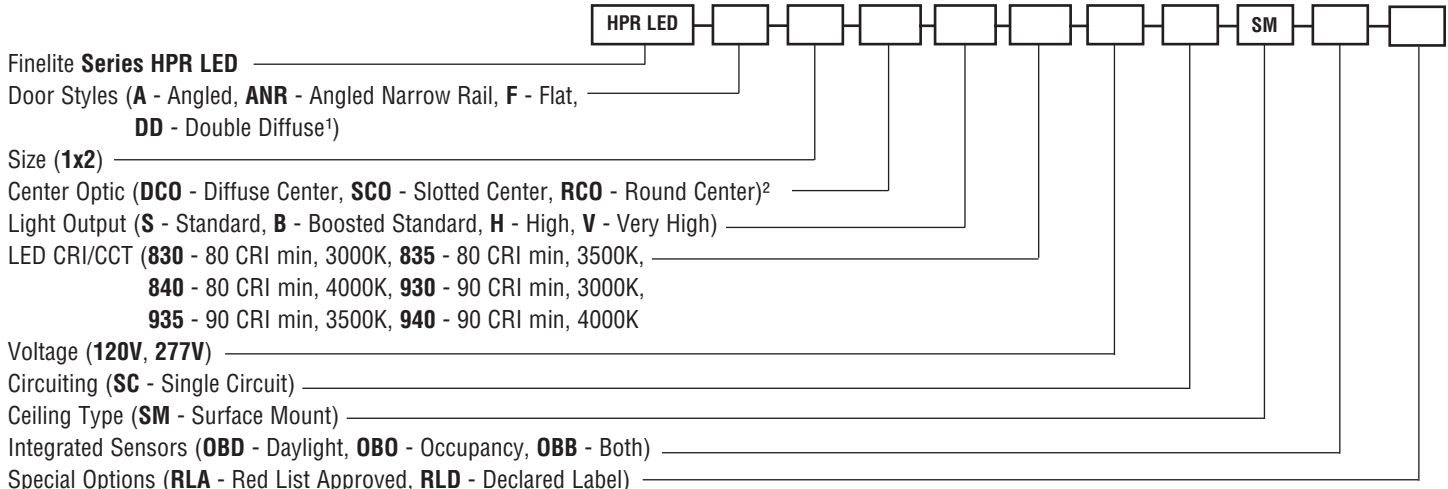


### THERMAL MANAGEMENT

Mid-power LEDs allow heat to be fully dissipated without the need for additional heat sinks.

### ORDERING GUIDE

Sample Number: HPR LED - A - 1x2 - DCO - S - 835 - 277V - SC - SM - OBO - RLA



<sup>1</sup> Double Diffuse door not available with Center Optic options

<sup>2</sup> Only available on Angled (A), Angled Narrow Rail (ANR) and Flat (F) door options

A brand of Legrand

Finelite, Inc. • 30500 Whipple Road • Union City, CA 94587-1530 • (510) 441-1100 • Fax: (510) 441-1510 • www.finelite.com

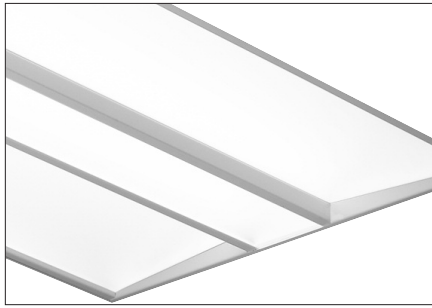
Due to continuing product improvements, Finelite reserves the right to change specifications without notice. Please visit www.finelite.com for most current data.

© 2020 FINELITE, INC. ALL RIGHTS RESERVED. Form 07K0078\_V5. EFFECTIVE DATE: 07/20

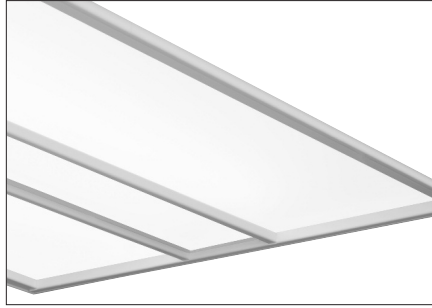
# FINELITE

## High Performance Recessed (HPR LED) 1x2, Surface Mount

### DOOR STYLES



**A - Angled**  
**ANR - Angled Narrow Rail**



**F - Flat**



**DD - Double Diffuse**

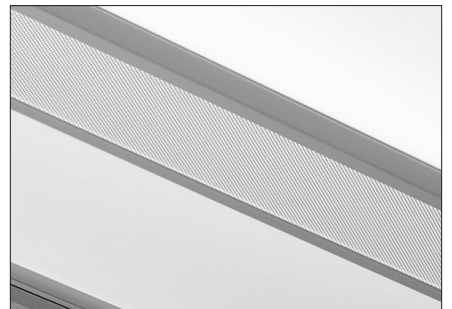
### CENTER OPTICS



**DCO - Diffuse Center**



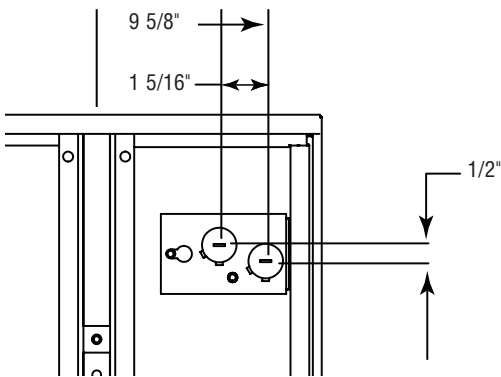
**SCO - Slotted Center**



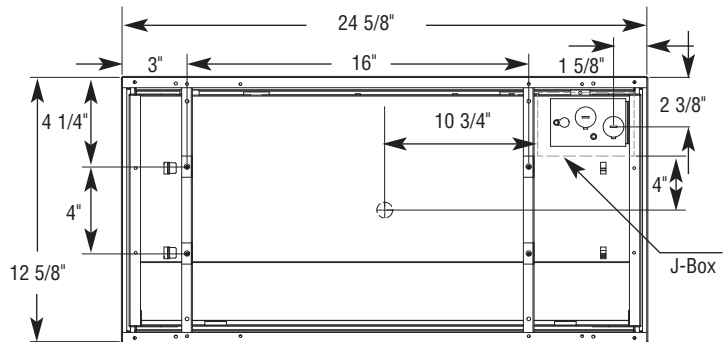
**RCO - Round Center**

DCO, SCO, and RCO are only available on Angled (A), Angled Narrow Rail (ANR), and Flat (F) doors.

### WIRING ACCESS DETAIL



### MOUNTING INFORMATION: 1x2



Consult [www.finelite.com](http://www.finelite.com) for 3000K, 3500K, and 4000K photometric reports.

A brand of **legrand**

Finelite, Inc. • 30500 Whipple Road • Union City, CA 94587-1530 • (510) 441-1100 • Fax: (510) 441-1510 • [www.finelite.com](http://www.finelite.com)

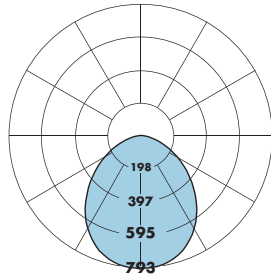
Due to continuing product improvements, Finelite reserves the right to change specifications without notice. Please visit [www.finelite.com](http://www.finelite.com) for most current data.

# FINELITE

## High Performance Recessed (HPR LED) 1x2, Surface Mount

### PHOTOMETRY

HPR LED-F-1x2-DC0-B  
 Boosted Output - Angled Rail  
 Efficacy: 99 lumens per watt  
 Total luminaire output: 1943 Lumens  
 19.7 Watts  
 Peak Candela Value: 793 @ 0°  
 CCT: 3500K  
 ITL LM79 Report 85140



CANDLEPOWER SUMMARY						
	0.0	22.5	45.0	67.5	ACROSS	Flux
0	793	793	793	793	793	
5	789	789	789	789	790	75
10	776	777	777	778	780	
15	755	755	757	758	760	213
20	723	725	726	729	730	
25	684	685	687	688	688	316
30	636	637	638	638	637	
35	582	583	583	580	580	363
40	524	524	521	516	513	
45	463	462	456	449	445	351
50	399	397	391	382	377	
55	337	335	327	316	310	291
60	278	274	264	252	246	
65	220	215	205	193	188	203
70	163	160	149	139	135	
75	113	109	99	90	86	106
80	67	64	55	47	45	
85	29	25	18	17	17	25
90	0	0	0	0	0	

Angled (A) and Flat (F) Total Light Output, 3500K, 80 CRI (Lumens)			
S*	B**	H*	V*
1511	1943	2199	2863
Power, 3500K, 80 CRI (Watts)			
S*	B**	H*	V*
15.3	19.7	22.7	30.4
Efficacy, 3500K, 80 CRI (Lumens Per Watt)			
S*	B**	H*	V*
99	99	97	94

Lumen Adjustment Factors - 80 CRI	
3000K	0.985
3500K	1.000
4000K	1.032

Lumen Adjustment Factors - 90 CRI	
3000K	0.746
3500K	0.760
4000K	0.789

Apply a lumen adjustment factor to calculate lumens for the desired CCT and CRI

\* Family Correlation based on 3500K Boosted Standard Output (B) test - 120V.  
 \*\* Based on source ITL report 85140

S - Standard Output, B - Boosted Standard Output,  
 H - High Output, V - Very High Output

### SAMPLE LUMEN ADJUSTMENT CALCULATION

High Output (H) Angled (A) & Flat (F)  
 4000K, 90 CRI

$$\text{Lumen Adjustment Factor} = 0.789$$

$$\text{Total Light Output} = 2199 \text{ lm} \times 0.789 = 1735 \text{ lm}$$

$$\text{Efficacy} = \frac{1735 \text{ lm}}{22.7 \text{ W}} = 76 \text{ lm/W}$$

# FINELITE

## High Performance Recessed (HPR LED) 1x2, Surface Mount

### SPECIFICATIONS

**CONSTRUCTION:** Die-formed 20-gauge cold-rolled steel housing. All components are hard-tooled to tolerances of +/- 0.010". UV stabilized weather-strip pile gasket with polypropylene backing. Hinged door frame assembly provides easy access to light arrays and driver compartment for servicing from below. Seismic brackets are integrated into the luminaire assembly.

**REFLECTORS:** Die-formed 20-gauge cold-rolled steel reflectors are finished in 96LG high reflectance matte white powder coat paint.

**OPTICAL SYSTEM:** Components include diffuser panels and a central optic element held in place with a frame constructed from die-formed cold-rolled steel. The diffusers are UV-stabilized and impact-resistant frosted virgin acrylic, 0.120" thick. They are either angled toward the central optic or parallel to the ceiling plane. The standard center rails are approximately 9/16" wide. Optional narrow rails are approximately 5/16" wide.

**DOUBLE DIFFUSE:** Visible diffuser: UV-stabilized and impact-resistant frosted virgin acrylic, 0.120" thick. Inner diffuser: 0.120" thick with 60% round perforations white/white.

**CENTER OPTIC OPTIONS:** *Only available with Angled (A), Angled Narrow Rail (ANR), and Flat (F) door styles.*

*Diffuse Center Optic (DCO): UV-stabilized and impact-resistant frosted virgin acrylic.*

*Slotted Center Optic (SCO): Die-formed cold-rolled steel panel with a 1/16" x 1/2" rectangular hole pattern. Virgin acrylic overlay.*

*Round Center Optic (RCO): Die-formed cold-rolled steel panel with precision-punched 3/32" round hole pattern arranged in staggered formation. Virgin acrylic overlay.*


**LIGHT OUTPUT:** Four lumen packages available, Standard (S), Boosted Standard (B), High (H), and Very High (V). A separate chart summarizes lumen distribution and wattage. Light engines are replaceable.

**LUMEN MAINTENANCE:** 90% of initial light output (L90) at 100,000+ hours; 70% of initial light output (L70) at 200,000+ hours.

**DRIVER:** Replaceable 120V/277V Constant Current Reduction dimming driver standard. Can be wired dimming or non-dimming. 0-10V dimming controls with a range of 10%- 100%. Dimming to 1% available; consult factory. Driver is fully accessible from below the ceiling. Power Factor: ≥0.9. Total Harmonic Distortion (THD): <20%. Expected driver lifetime: 100,000 hours.

**LUTRON DRIVER OPTIONS:** **LUTES1** (Hi-lume 1% EcoSystem with Soft-On, Fade to Black dimming (LDE1 series)); **LUTES5** (5-Series 5% EcoSystem (LDE5 Series)); **LUT2W** (Hi-lume 1% 2-wire, 120V forward phase dimming (LTEA series)); Contact factory for availability of discontinued Lutron drivers, L3DA-3-wire and L3DA EcoSystem.

**ELECTRICAL:** Optional emergency to generator/inverter wiring, internal generator transfer switch, nightlight wiring, step-dimming driver. Chicago Plenum option.

 **INTEGRATED SENSORS:** Integrated PIR (Passive Infrared) occupancy and/or daylight sensors available. Refer to Occupancy Sensor and Daylight Sensor tech sheets for more info.

**MOUNTING:** Luminaire is compatible with recessed junction boxes. Electrical connections can be made directly to wiring access plate shown above. Junction boxes can also be placed between mounting bars. Maximum center of feed location from luminaire center is 10 3/4" along the dimension parallel to the mounting bars, and 4" along dimension perpendicular to the mounting bars.

**FINISH:** Housing and door assembly painted with 96 LG high reflectance matte white powder coat paint. Optional adder: Anti-microbial paint. Contact factory.

**FEED:** Optional whips (with flex connectors) supplied in a maximum of 11' lengths. Lead Wires.

**LABELS:** Luminaire and electrical components are ETL-listed conforming to UL 1598 in the U.S.A. and CAN/CSA C22.2 No. 250.0 in Canada. In accordance with NEC Code 410.73 (G), this luminaire contains an internal driver disconnect. Damp Location. Finelite products use electronic components that are RoHS compliant, and the mechanical components of the luminaire have been verified to not knowingly contain any restricted substances listed per RoHS Directive 2011/65/EU. Finelite makes the specification process easy when putting healthier products on your projects. Simply add – **RLA** (Red List Approved) or – **RLD** (Declared Label) to your part number.

**WEIGHT:** 12 lbs maximum.

**WARRANTY:** 10-year performance-based warranty on all standard components. Optional accessories such as emergency battery packs are covered by their individual manufacturer warranties.