

Submitted by:		Date:
Type:	Project:	
Ordering Info:		

# High Performance 6" Aperture (HP-6) Pendant



High Performance 6" Aperture is a patented, linear LED luminaire family. HP-6 delivers excellent performance using an advanced optical design and mid-power LEDs. Achieving 90% of initial light output at 100,000+ hours and backed by a 10-year performance-based warranty on all standard components.

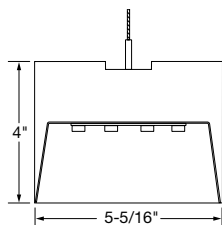
This product is enrolled in the International Living Future Institute (ILFI) Declare 2.0 Program and is third-party verified with options achieving **Red List Approved** and **Red List Declared** status.

Signal White is standard finish

**Note:** see page 6 for all aesthetic options

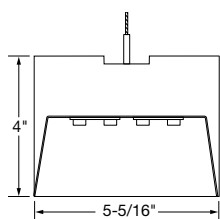
## CROSS SECTIONS

**Direct**



Flush Downlight Diffuser  
(standard)

**Enhanced Output Direct**



Flush Downlight Diffuser  
(standard)

## GET MORE WITH TAILORED LIGHTING

- Tailored Length
- Tailored Angle
- Tailored Color
- Tailored Output
- Tailored Control

## ALSO AVAILABLE IN



Recessed  
(R)



Wall Mount  
(WM)



Surface Mount  
(SM)



**Declare.**



Submitted by:		Date:
Type:	Project:	
Ordering Info:		

# High Performance 6" Aperture (HP-6) Pendant

Ordering Guide Example: HP - 6 - P - D - 36' - S - 835 - F - 96LG - 120 - SC - FC-10% - FA50 - C1 - FE - SW - LGD18W - OBO - CP

## BODY TYPE

## OUTPUT AND LED TYPE

Platform	Series Name	Luminaire Type	Luminaire Distribution	Total Length of Run	Light Output (Flush)	
HP - High Performance	6 6 EO - Enhanced Output	P - Pendant	D - Direct	<hr/> Minimum 2' section length. Increments accurate to 1/16" (±1/32"), standard. 12' maximum section length.	<b>D Output</b> <b>S</b> - Standard (386 lm/ft) <b>B</b> - Boosted (485 lm/ft) <b>H</b> - High (733 lm/ft) <b>V</b> - Very High (942 lm/ft) <b>TL</b> - Tailored: _____lm/ft*	<b>EO D Output</b> <b>H</b> - High (1561 lm/ft) <b>V</b> - Very High (2007 lm/ft) <b>X</b> - Extremely High (2271 lm/ft) <b>TL</b> - Tailored: _____lm/ft*

\* Specify lm/ft of outputs between Standard (S) and Very High (V). Consult factory for tailored lumen output outside of this range.

## OUTPUT AND LED TYPE

## MECHANICAL OPTIONS

## ELECTRICAL OPTIONS

LED CRI/CCT	Downlight Optics	Reflector System	Voltage	Circuiting <sup>1</sup>
<b>830</b> - 80 CRI, 3000K <b>835</b> - 80 CRI, 3500K <b>840</b> - 80 CRI, 4000K <b>930</b> - 90 CRI, 3000K <b>935</b> - 90 CRI, 3500K <b>940</b> - 90 CRI, 4000K <b>8TW</b> - 80 CRI, Tunable White <b>9TW</b> - 90 CRI, Tunable White	F - Flush (standard)	96LG - 96 Low Gloss White	<b>120</b> - 120 Voltage <b>277</b> - 277 Voltage <b>347</b> - 347 Voltage	<b>SC</b> - Single Circuit* One single circuit in a run <b>MC</b> - Multi-Circuit* More than one switch leg or zone. Factory shop drawings required  * Battery, Night Light, and Emergency to Generator circuits are in addition to the normal luminaire circuit(s)

## ELECTRICAL OPTIONS

## MOUNTING OPTIONS

Driver Selection	Mounting Method	Ceiling Hardware Type
<b>0-10V Driver Options</b> <b>FC-10%</b> - 0-10V 10% (standard) <b>FC-1%</b> - 0-10V 1% <b>OTI-10%</b> - EldoLED OTI, 0-10V 10% <sup>2</sup> <b>OTI-1%</b> - EldoLED OTI, 0-10V 1% <sup>2</sup> <b>ELD-10V-0%</b> - EldoLED SOLOdrive, 0-10V 0.1% <b>10V-TW-10%</b> - EldoLED OTI, 0-10V 10% (Tunable White) <sup>2</sup> <b>DALI Driver Options</b> <b>FC-DALI-1%</b> - DALI 1% <b>DXL-DALI-1%</b> - EldoLED Dexal, 1% <b>ELD-DALI-0%</b> - EldoLED SOLOdrive, 0.1% <b>ELD-DALI-TW</b> - EldoLED DUALdrive LightShape, 0.1% (Tunable White)	<b>Lutron Driver Options</b> <b>LUT-ES1</b> - Lutron, Ecosystem 1% <b>LUT-TW</b> - Lutron T-Series, EcoSystem 0.1% (Tunable White)  See Page 3 for additional driver options and details	<b>FA50</b> - Fully Adjustable 50" (standard) <b>FA100</b> - Fully Adjustable 100" <b>FA150</b> - Fully Adjustable 150" <b>FA200</b> - Fully Adjustable 200" <b>FA250</b> - Fully Adjustable 250" <b>FA300</b> - Fully Adjustable 300" <b>FM</b> - Flexible Mounting <sup>4</sup>

## OTHER OPTIONS

Endcap Style	Finish	Emergency Style (Optional) <small>See page 5 Backup Battery table</small>	Integrated Sensor (Optional)	Special Options (Optional)
FE - Flat Endcap (standard)	SW - Signal White (standard) FB - Finelite Black SA - Satin Aluminum #### - RAL Color Code <sup>5</sup>	<b>LGD18W</b> - Legrand 18W Brand Battery Back-up <b>LGD10W</b> - Legrand 10W Brand Battery Back-up <b>EM/GEN</b> - Emergency to Generator <b>NL</b> - Night Light <b>BSL722</b> - Bodine Battery Back up <b>BSL310LP</b> - Bodine Battery Back up Low Profile <b>GTD</b> - Generator Transfer Device <b>ALCR</b> - Automatic Load Control Relay	<b>OBO</b> - Occupancy <b>OBD</b> - Daylight <b>W601</b> - Wattstopper Wireless Sensor <sup>6</sup> <b>OBE</b> - Enlighted <sup>7</sup> <b>CLM-99</b> - Encelium RF <b>SLM-99</b> - Encelium Sensor <b>AOCC-W</b> - Lutron Athena Sensor (Device Color White) <sup>8</sup> <b>AOCC-B</b> - Lutron Athena Sensor (Device Color Black) <sup>8</sup> <b>ARF-W</b> - Lutron Athena RF (Device Color White) <sup>8</sup> <b>ARF-B</b> - Lutron Athena RF (Device Color Black) <sup>8</sup> <b>VOCC</b> - Lutron Vive Wireless Sensor (VDO) <sup>9</sup> <b>VRF</b> - Lutron Vive Radio Only <sup>9</sup>	<b>CP</b> - Chicago Plenum <sup>10</sup> <b>RLA</b> - Red List Approved <b>RLD</b> - Red List Declared

<sup>1</sup> Contact factory for switching options

<sup>2</sup> Add DTO to gain "Dim to Off" functionality (FC-10% - DTO, FC-1% - DTO)

<sup>3</sup> B & V outputs only

<sup>4</sup> Direct only

<sup>5</sup> 20 business days lead time for color

<sup>6</sup> LMFS-601 w/ 0-10V driver(s) and LMFI-111, up to 6 drivers may be connected.

<sup>7</sup> LMFS-601 w/ DALI driver, only 1 driver can be connected.

<sup>7</sup> Enlighted components installed by Finelite, provided by others

<sup>8</sup> 0-10V Drivers - **AOCC** up to 10 drivers may be connected; **ARF** up to 40 drivers may be connected

<sup>9</sup> DALI Drivers - **AOCC** & **ARF** up to 4 drivers can be connected.

<sup>8</sup> Lutron Vive Integrated Sensors require a DALI driver

<sup>9</sup> Only available with C1, C2, and C3 mounting hardware with Finelite Gridbox

Submitted by:		Date:
Type:	Project:	
Ordering Info:		

# High Performance 6" Aperture (HP-6) Pendant

## SUPPLEMENTARY DRIVER PAGE

### 0-10V Driver Options

<b>FC-10%</b>	Factory Choice, 0-10V 10% Dimming (Linear)
<b>FC-10%-DTO</b>	Factory Choice, 0-10V 10% Dimming, Dim-to-Off (Linear)
<b>FC-1%</b>	Factory Choice, 0-10V 1% Dimming (Linear)
<b>FC-1%-DTO</b>	Factory Choice, 0-10V 1% Dimming, Dim-to-Off (Linear)
<b>ELD-10V-0%</b>	EldoLED SOLOdrive, 0-10V 0.1% Dimming (Linear)
<b>ELD-10V-1%</b>	EldoLED ECOdrive, 0-10V 1% Dimming (Linear)
<b>10V-TW-10%</b>	EldoLED OTi, 0-10V 10% Dimming, Tunable White (Linear)
<b>10V-TW-10%-DTO</b>	EldoLED OTi, 0-10V 10% Dimming, Dim-to-Off, Tunable White (Linear)
<b>OTi-10%</b>	EldoLED OTi, 0-10V 10% Dimming (Linear)
<b>OTi-10%-DTO</b>	EldoLED OTi, 0-10V 10% Dimming, Dim-to-Off (Linear)
<b>OTi-1%</b>	EldoLED OTi, 0-10V 1% Dimming (Linear)
<b>OTi-1%-DTO</b>	EldoLED OTi, 0-10V 1% Dimming, Dim-to-Off (Linear)

### DALI Driver Options

<b>FC-DALI-1%</b>	Factory Choice, DALI 1% Dimming (Logarithmic)
<b>DXL-DALI-1%</b>	EldoLED Dexal, DALI 1% Dimming (Logarithmic)
<b>ELD-DALI-0%</b>	EldoLED SOLOdrive, DALI 0.1% Dimming (Logarithmic)
<b>ELD-DALI-1%</b>	EldoLED ECOdrive, DALI 1% Dimming (Logarithmic)
<b>ELD-DALI-TW</b>	EldoLED DUALdrive Light Shape, DALI 0.1% Dimming, Tunable White (Logarithmic Dimming, Linear CCT Control)

### Lutron Driver Options

<b>LUT-ES1</b>	Lutron, Ecosystem 1% Dimming
<b>LUT-TW</b>	Lutron T-Series, EcoSystem 0.1% Dimming, Tunable White

Submitted by:		Date:
Type:	Project:	
Ordering Info:		

# High Performance 6" Aperture (HP-6) Pendant

## SPECIFICATIONS

### BODY TYPE

**CONSTRUCTION:** Precision-cut 6063-T6 extruded aluminum body. Internal joiner system, plug-together wiring, standard.

**LENGTHS:** Any length, 2' minimum, in increments down to 1/16" ( $\pm 1/32"$ ). 12' maximum section length.

**MITERED CORNERS:** Fully illuminated 90° corners have internal secondary diffusers to ensure against light leaks. Custom angles are available (90° minimum on inside corners.) Consult factory for tailored lighting options.

### OUTPUT AND LED TYPE

**LIGHT OUTPUT:** Lumen packages available for **HP-6 D:** Standard (**S**), Boosted Standard (**B**), High (**H**), and Very High (**V**). **HP-6 EO D:** High (**H**), Very High (**V**), and Extremely High (**X**). For Tailored Outputs outside of range from Standard (**S**) to Very High (**V**), consult factory. Light engines are replaceable.

### MECHANICAL/OPTICAL OPTIONS

**DOWNLIGHT OPTION:** 12' maximum diffuser length. Flush frost white snap-in diffuser standard, 73% transmissive, 99% diffusion. Internal secondary diffusers at corners ensure visually seamless, uniform, continuous illumination. Available with Flush (**F**) downlight diffuser. Consult factory for more tailored lumen outputs.

**LUMEN MAINTENANCE:** 90% of initial light output (L90) at 100,000+ hours; 70% of initial light output (L70) at 200,000+ hours.

**REFLECTORS:** Die-formed 24-gauge cold-rolled steel reflectors finished in 96LG High Reflectance white powder coat paint.

### ELECTRICAL OPTIONS

**STATIC WHITE FEED:** Standard with one 18-gauge/5-conductor single-circuit feed. 14-gauge feed used when luminaire current exceeds 5 amps.

**TUNABLE WHITE FEED:** Standard with one 18-gauge/5-conductor single-circuit feed. 14-gauge feed used when fixture current exceeds 5 amps.

**STATIC WHITE DRIVER:** Replaceable 120V, 277V, and 347V constant current reduction dimming driver standard. Can be wired dimming or non-dimming. 0-10V dimming controls with a range of 100%-10% standard. Dimming to 1% available. Driver is fully accessible from below the ceiling.

- **Power Factor:**  $\geq 0.9$
- **Total Harmonic Distortion (THD):**  $< 20\%$
- **Expected driver lifetime:** 100,000 hours

### LUTRON STATIC DRIVER OPTIONS:

- **LUT-ES1 (LDE1)** - (Hi-lume 1% EcoSystem with Soft-On, Fade-to-Black dimming (LDE1 series)).

**TUNABLE WHITE DRIVER:** Replaceable LED driver. Driver is accessible from below the ceiling. 120V, 277V, and 347V.

- **Power factor:**  $\geq 0.90$
- **Total Harmonic Distortion (THD):**  $< 20\%$
- **Dimming Range:** 100%-10%
- **Expected driver lifetime.:** 100,000 hours

**LUTRON TUNABLE WHITE DRIVER OPTION: LUT-TW** (1% T-Series 2-Channel Digital Tunable White (PSQ Series)).

### MOUNTING OPTIONS

**HANGING HARDWARE:** 50" Fully Adjustable (**FA**) plated steel aircraft cable with safety stop hardware standard. The Flexible Mounting Bracket (**FM**) adjusts the suspension points to accommodate existing architecture. Suspension points adjust up to 2' in from the end of 8' or 12' fixture lengths and up to 1' in on shorter lengths. Consult factory for tailored lighting options.

**TUNABLE WHITE HANGING HARDWARE:** For grid ceiling applications the dual GridBox™ mounting is supplied (standard). For hard ceiling applications the ceiling mounting box is supplied (standard).

**TUNABLE WHITE INTERCONNECTION CABLES:** Luminaires are pre-wired with plug-and-play interconnection cables to support easy plug-together joining of fixture runs.

### OTHER OPTIONS

**ENDCAPS:** Flat diecast aluminum endcaps (**FE**) add 1/4" to each end of luminaire.

**EMERGENCY STYLE:** Optional emergency to generator/inverter wiring, internal generator transfer switch, nightlight wiring, step-dimming driver, backup battery.

Backup Battery		
	Legrand 18W	Legrand 10W/ Bodine BSL310LP
<b>HP6-P-D</b>		
Min. Housing Length	6'	4'
EM Lumen Output	1885	1220
EM Section Illum.	2'	2' or 4'
<b>HP6-EO-P-D</b>		
Min. Housing Length	6'*	4'
EM Lumen Output	2007	1193
EM Section Illum.	2'	4'

\* Minimum fixture housing length for battery pack approved without sensor  
The lumens are based on 835. For other CCT/CRI, refer to the Lumen Adjustment Factor table on page 6.

Submitted by:		Date:
Type:	Project:	
Ordering Info:		

# High Performance 6" Aperture (HP-6) Pendant

## SPECIFICATIONS

Bodine GTD and Legrand ALCR Min. Length	
Configuration	Min Length
Generator	D-2'
Generator + OCC	D-2'
Daylight	D-2'
Generator + Daylight	D-2'

### TUNABLE WHITE ELECTRICAL OPTIONS <sup>1</sup>:

- **TW Driver Options 0-10V:** EM/GEN, GTD or Battery Back up
- **DALI:** EM/GEN, GTD or Battery Back up
- **LUTRON:** EM/GEN, GTD or Battery Back up

**INTEGRATED SENSORS:** Integrated PIR (Passive Infrared) Occupancy (**OBO**) or Daylight Sensors (**OBD**) available with Flush and Bottom Glow downlight diffusers. PIR sensors not recommended for stairwell applications. Refer to Occupancy Sensor & Daylight Sensor tech sheet and the Embedded Intelligence landing page for more information and additional sensor options.

**FINISHES:** Finelite Signal White (**SW**) powder coat, Finelite Black (RAL 9005) with semi gloss fine texture (**FB**) and Satin Aluminum (**SA**) are standard. Optional Adders: 179 RAL colors <sup>2</sup>.

**LABELS:** Luminaire and electrical components are ETL-listed conforming to UL 1598 in the U.S.A. and CAN/CSA C22.2 No. 250.0 in Canada. In accordance with NEC Code 410.130 (G), this luminaire contains an internal driver disconnect. UL 924 and UL 2108 - PoE options available on request. These fixtures are rated for Damp Location. Chicago Plenum options available for C1, C2, or C3 suspension using our GridBox. Finelite products use electronic components that are RoHS compliant, and the mechanical components of the luminaire have been verified to not knowingly contain any restricted substances listed per RoHS Directive 2015/863. Consult factory for tailored lighting options. Finelite makes the specification process easy when putting healthier products on your projects. Simply add - **RLA** (Red List Approved) or - **RLD** (Red List Declared) to your part number.

**WEIGHT <sup>3</sup>:** D - 3.6 lb/ft; EO D - 3.75 lb/ft

**WARRANTY:** 10-year performance-based warranty on all standard components. Optional accessories such as emergency battery packs are covered by their individual manufacturer warranties.

<sup>1</sup> Consult Finelite for Generator Transfer Device and Battery Backup fit

<sup>2</sup> 20 business days lead time for color

<sup>3</sup> Excludes Battery Backup and Generator Transfer Device weight

Submitted by:		Date:
Type:	Project:	
Ordering Info:		

# High Performance 6" Aperture (HP-6) Pendant

## Direct Photometry - 4' Luminaire 3500K

### HP6-P-D-4'-V-835

**Downlight:** Flush Diffuser

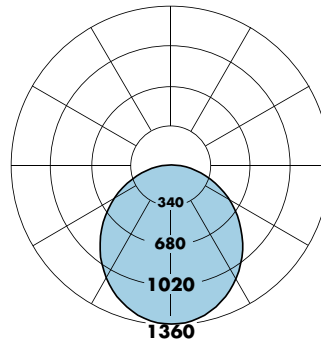
**Efficacy:** 100 lm/W

**Total luminaire output:** 3769 lumens (942 lm/ft)  
37.6 watts (9.4 W/ft)

**Peak Candela Value:** 1360 @ 0°

CRI: 80 / CCT: 3500K

ITL LM79 Report 86098



CANDELA DISTRIBUTION						
	0.0	22.5	45.0	67.5	90.0	FLUX
0	1360	1360	1360	1360	1360	
5	1353	1353	1353	1354	1354	129
15	1301	1293	1299	1300	1294	366
25	1193	1183	1192	1189	1185	547
35	1043	1034	1039	1036	1034	649
45	865	858	862	859	856	663
55	668	662	665	661	662	593
65	465	460	461	460	459	456
75	263	261	261	260	261	277
85	81	80	80	79	81	89
90	0	0	0	0	0	

## Enhanced Output Direct Photometry - 4' Luminaire 3500K

### HP6 EO-P-D-4'-V-835

**Downlight:** Flush Diffuser

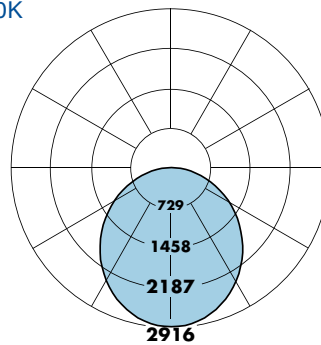
**Efficacy:** 110 lm/W

**Total luminaire output:** 8026 lumens (2007 lm/ft)  
73.2 watts (18.3 W/ft)

**Peak Candela Value:** 2915 @ 0°

CRI: 80 / CCT: 3500K

ITL LM79 Report 89078



CANDELA DISTRIBUTION						
	0.0	22.5	45.0	67.5	90.0	FLUX
0	2915	2915	2915	2915	2915	
5	2092	2900	2900	2901	2900	276
15	2781	2765	2783	2784	2774	783
25	2542	2527	2544	2544	2535	1169
35	2218	2197	2217	2213	2208	1383
45	1833	1819	1832	1829	1825	1410
55	1414	1404	1413	1409	1408	1261
65	981	974	979	978	979	968
75	559	555	554	553	556	589
85	174	167	167	170	167	187
90	0	0	0	0	0	

### Sample Lumen Adjustment Calculation

#### Lumen Adjustment Factors 80 CRI

<b>3000K</b>	0.985
<b>3500K</b>	1.000
<b>4000K</b>	1.032

#### Lumen Adjustment Factors 90 CRI

<b>3000K</b>	0.746
<b>3500K</b>	0.760
<b>4000K</b>	0.789

High Output (H), 4000K, 90 CRI

**Lumen Adjustment Factor:** 0.789

**Total Light Output:** 2931 lm x 0.789 = 2313 lm

**Total Light Output per Foot:** 733 lm/ft x 0.789 = 578 lm/ft.

**watts/foot:** 7.2 W/ft.

$$\text{Efficacy} = \frac{578 \frac{\text{lm}}{\text{ft.}}}{7.2 \frac{\text{W}}{\text{ft.}}} = 80 \text{ lm/W}$$

### Total Light Output, 3500K, 80 CRI (Lumens) - 4' Luminaire

HP-6 D				HP-6 EO D		
S <sup>1</sup>	B <sup>1</sup>	H <sup>1</sup>	V <sup>2</sup>	H	V	X
1543	1940	2931	3769	6242	8026	9082

### Light Output, 3500K, 80 CRI (Lumens Per Foot)

HP-6 D				HP-6 EO D		
S <sup>1</sup>	B <sup>1</sup>	H <sup>1</sup>	V <sup>2</sup>	H	V	X
386	485	733	942	1561	2007	2271

### Power, 3500K (Watts Per Foot)

HP-6 D				HP-6 EO D		
S <sup>1</sup>	B <sup>1</sup>	H <sup>1</sup>	V <sup>2</sup>	H	V	X
3.7	4.7	7.2	9.4	14.0	18.3	21.1

### Efficacy, 3500K, 80 CRI (Lumens Per Watt)

HP-6 D				HP-6 EO D		
S <sup>1</sup>	B <sup>1</sup>	H <sup>1</sup>	V <sup>2</sup>	H	V	X
105	104	102	100	111	110	108

S - Standard Output, B - Boosted Standard Output, H - High Output, V - Very High Output

<sup>1</sup> Family Correlation based on 4' luminaire 3500K Very High Output (V) test - 120V.

<sup>2</sup> Based on ITL report: 86098

<sup>3</sup> Based on ITL report: 89078

Wattage is Real Power. If you would like additional details to calculate Apparent Power, please contact your local Finelite representative.

Submitted by:		Date:
Type:	Project:	
Ordering Info:		

# 0-10V Tunable White

Finelite's award-winning, contractor friendly Tunable White luminaires are available at low cost, with powerful and simple 0-10V tuning and intensity controls.

## TUNABLE WHITE FEATURES

- CCT range: 2700K - 6500K
- Dimming Range: 100% to 10%
- CRI Options: 80 CRI or 90 CRI

## PHOTOMETRY

Apply a power adjustment factor to calculate wattage usage

POWER	CONVERSION FACTOR
	<b>1.1X</b>

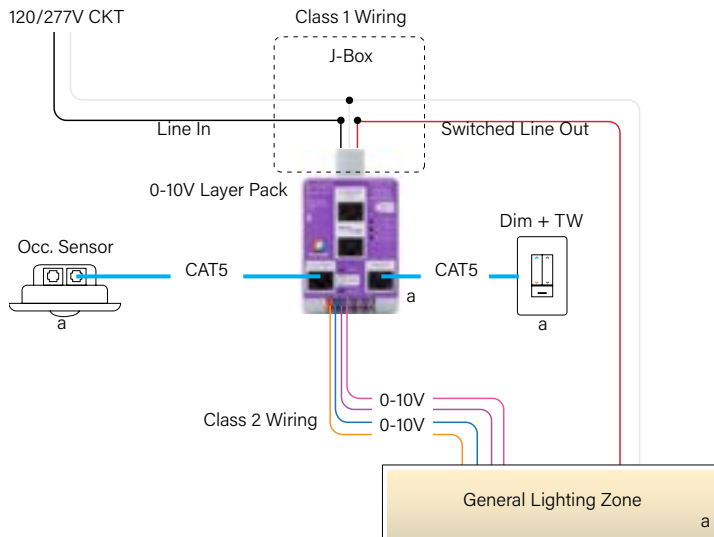
(Example: a 50 watt luminaire in static white would draw 55 watts using 0-10V Tunable White)

## LUMINAIRE FAMILY MODIFICATIONS/RESTRICTIONS

Direct	Section Lengths											
	2'	3'	4'	5'	6'	7'	8'	9'	10'	11'	12'	
Output S,B,H,V Single Circuit	Rows can be comprised of 2'-12' sections. Tailored lengths available.											
Integral Battery Backup (BSL310LP)								✓	✓	✓		

EN/GEN sections available for all body lengths

## WIRING DIAGRAM - DIMMABLE TO 10%



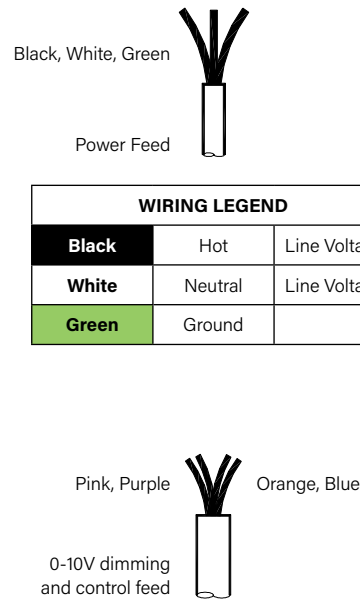
Luminaire Wiring

- **Purple (+) / Pink (-)** control wires are for intensity control
- **Orange (+) / Blue (-)** control wires are for Tunable White control

**Note:**

Load or Dim to Off options available.

## DUAL FEED DETAIL



WIRING LEGEND		
<b>Black</b>	Hot	Line Voltage
<b>White</b>	Neutral	Line Voltage
<b>Green</b>	Ground	

WIRING LEGEND		
<b>Pink</b>	Dimming	0-10V DC
<b>Purple</b>	Dimming	0-10V DC
<b>Orange</b>	TW	0-10V DC
<b>Blue</b>	TW	0-10V DC

