

HP-2 Indirect/Direct Installation Instructions

Regressed Luminaires Use Same Instructions

Overview

NOTES

- If luminaire contains a sensor refer to the Sensor Addendum.
- All power connections should be installed according to local/national codes by a Certified Electrician.
- This installation requires **proper support** as each luminaire is being installed.
- **DO NOT attempt to join luminaires together on the floor.** Damage may result when lifted.



HELPFUL
VIDEOS



Louver
Removal



0-10V
Dimming



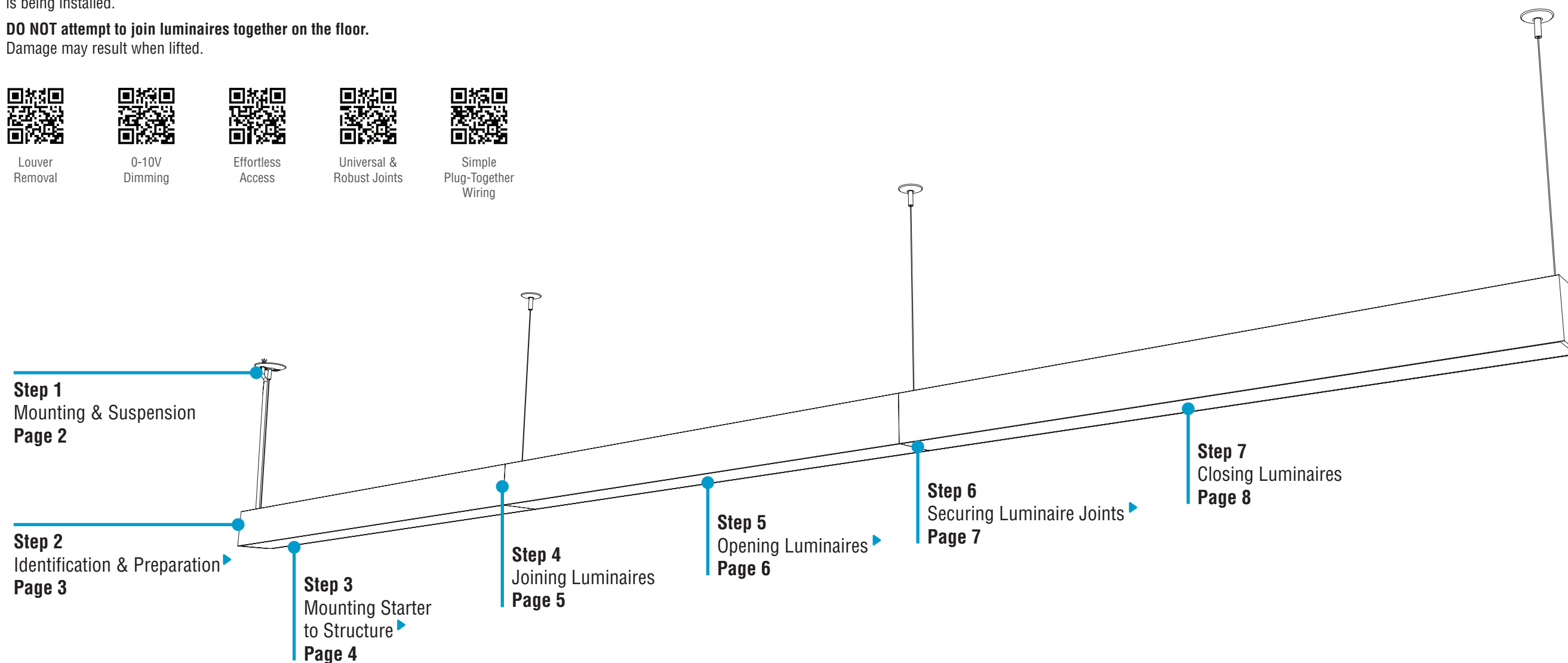
Effortless
Access



Universal &
Robust Joints



Simple
Plug-Together
Wiring



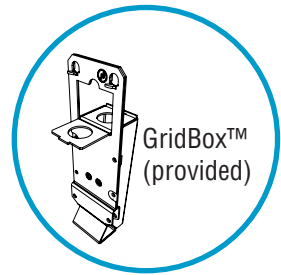
HP-2 Indirect/Direct Installation Instructions

Step 1 - Mounting & Suspension

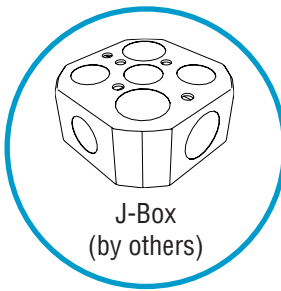
Mounting Options

Option 1 T-Bar Mounting - GridBox™ and Caddy Clips

- Install GridBox™ and electrical conduit at feed locations.
- Install caddy clips at mounting point locations.
- All caddy clips are to be secured to structure, per local building codes.



or



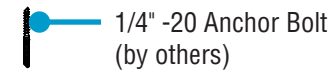
Option 2 Drywall (C4) or other hard surfaces* - J-Box and Anchor Bolts

- Install J-Box and electrical conduit at feed locations.
- Install anchor bolts at mounting point locations.
- All anchor bolts are to be secured to structure, per local building codes.

* Other hard surfaces include: wood, sheet metal panels, steel beams, concrete or masonry. Use hardware appropriate for each surface material type.



or



or



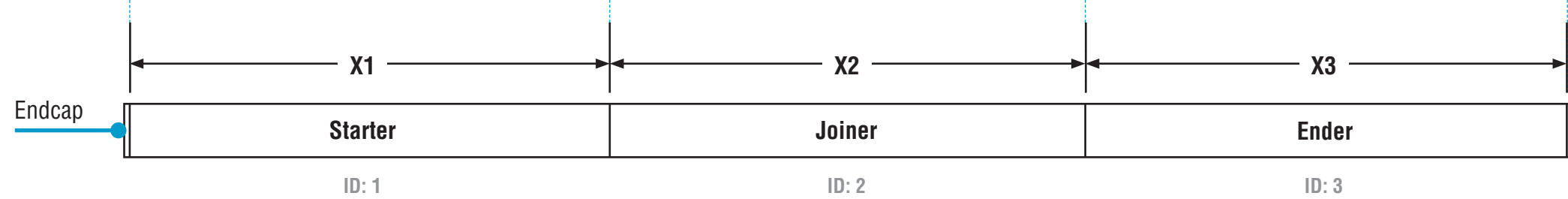
or



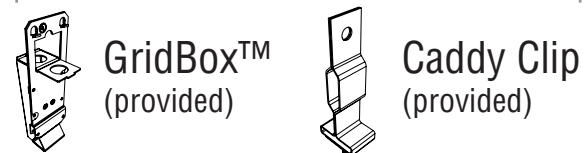
Suspension Locations

X = Suspension Dimensions

Refer to Record Drawings and building plans to determine exact mounting, suspension points, and power feed locations.



Mounting Option 1



Mounting Option 2



HP-2 Indirect/Direct Installation Instructions

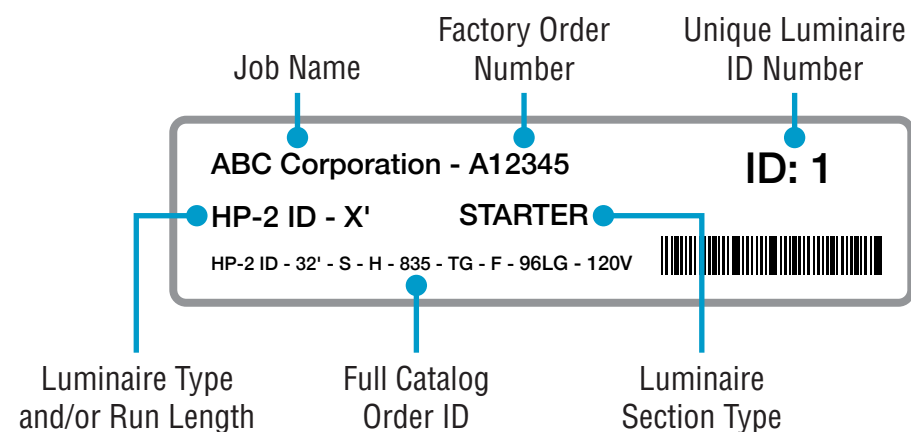
Step 2 - Identification & Preparation

A. Identify Luminaires



Arrange luminaires in order according to ID# at their install locations.

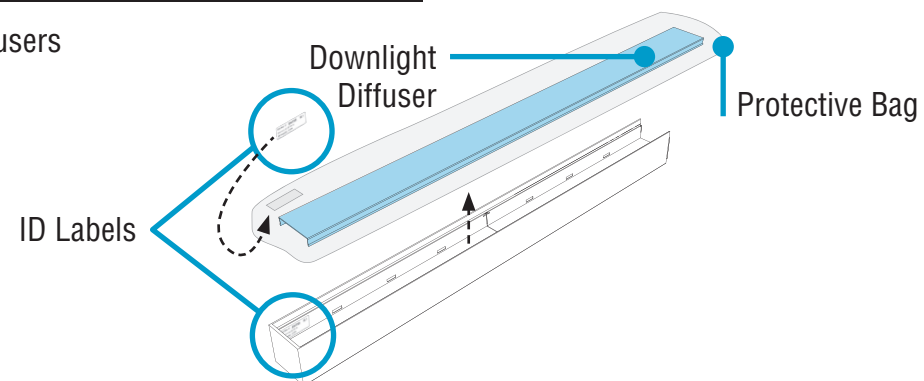
CAUTION



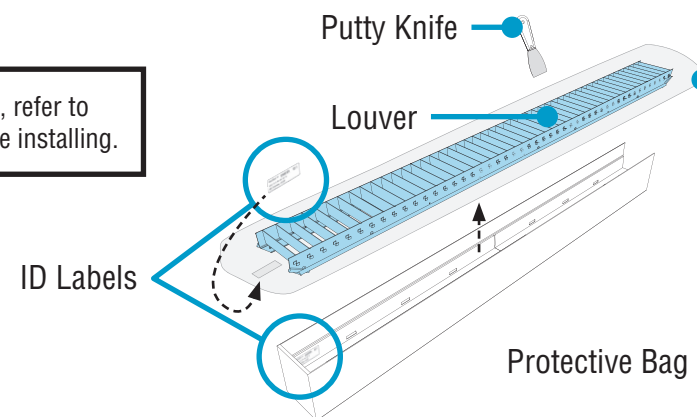
- Identify all luminaires by their ID label that can be found on the box, the diffuser, and inside the luminaire.
- NOTE:** Exact location of labels in these areas may vary.
- Remove all luminaires from their box.
- Refer to Record Drawings that can be found in the hardware kit.

B. Remove Downlight Diffusers or Louvers

Remove Diffusers



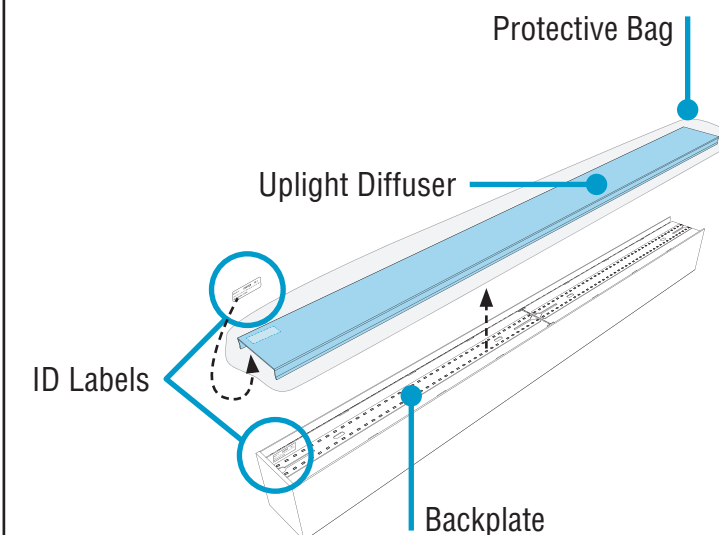
Remove Louvers



NOTE: For White Cross Blade Baffle, refer to Baffle Tether Addendum before installing.

- Carefully remove all downlight diffusers or louvers, keeping them inside their protective bags.
- FOR LOUVERS:** Release louvers by inserting the blade of a putty knife approximately 1" down behind louver edges and pry up.
- Set aside all downlight diffusers or louvers to prevent from getting dirty or damaged.
- Ensure downlight diffusers or louvers can be identified back to their corresponding luminaire.

C. Remove Uplight Diffuser



- Carefully remove all upright diffusers, keeping them inside their protective bag.
- Set aside all upright diffusers to prevent from getting dirty or damaged.
- Ensure upright diffusers can be identified back to their corresponding luminaire.

Kitted Hardware

- Finelite has provided items listed here, with their Finelite part numbers. These items can be found in separate boxes shipped with the luminaire.
- Account for all parts and set aside until they are needed.
- All other hardware needed for this installation will be by others.

Mounting Option 1

- GridBox™**
Part# 89159
- Dual GridBox™**
Part# 89199
Mounting & Suspension
p. 2, Step 1
- Caddy Clip**
C1 Ceiling - Part# 94001
C2 Ceiling - Part# 94020
C3 Ceiling - Part# 94029
Mounting & Suspension
p. 2, Step 1
- 3-1/2" Canopy**
Part# 89191
- 3-1/2" Dual Feed Canopy**
Part# 89192
Mounting Starter to Structure
p. 4, Step 3
Joining Luminaires
p. 5, Step 4
- 3-1/2" T-Bar Support Canopy**
Part# 89193
Mounting Starter to Structure
p. 4, Step 3
Joining Luminaires
p. 5, Step 4

Mounting Option 2

- 5" Canopy**
Part# 94085
- 5" Dual Feed Canopy**
Part# 94145
Mounting Starter to Structure
p. 4, Step 3
Joining Luminaires
p. 5, Step 4
- 2" Drywall Support Canopy**
Part# 94017
Mounting Starter to Structure
p. 4, Step 3
Joining Luminaires
p. 5, Step 4

- Yoke Bracket**
Part# 45042
- #10-32 x 5/8" Screw**
Part# 94144
Securing Luminaire Joints
p. 7, Step 6
- Gripper**
Part# 68129
Mounting Starter to Structure
p. 4, Step 3
Joining Luminaires
p. 5, Step 4
- Safety Bar**
Part# 93500
Closing Luminaires
p. 8, Step 7

- Cable Bushing**
Part# 94014
- Aircraft Cable**
50" - Part# 94515-12 (Std.)
100" - Part# 94515-14
150" - Part# 94515-18
Mounting Starter to Structure
p. 4, Step 3
Joining Luminaires
p. 5, Step 4
- Safety Crimp**
Part# 94514
Closing Luminaires
p. 8, Step 7

- Slip Ring w/ Set Screw**
Part# 94015
Mounting Starter to Structure
p. 4, Step 3
Joining Luminaires
p. 5, Step 4

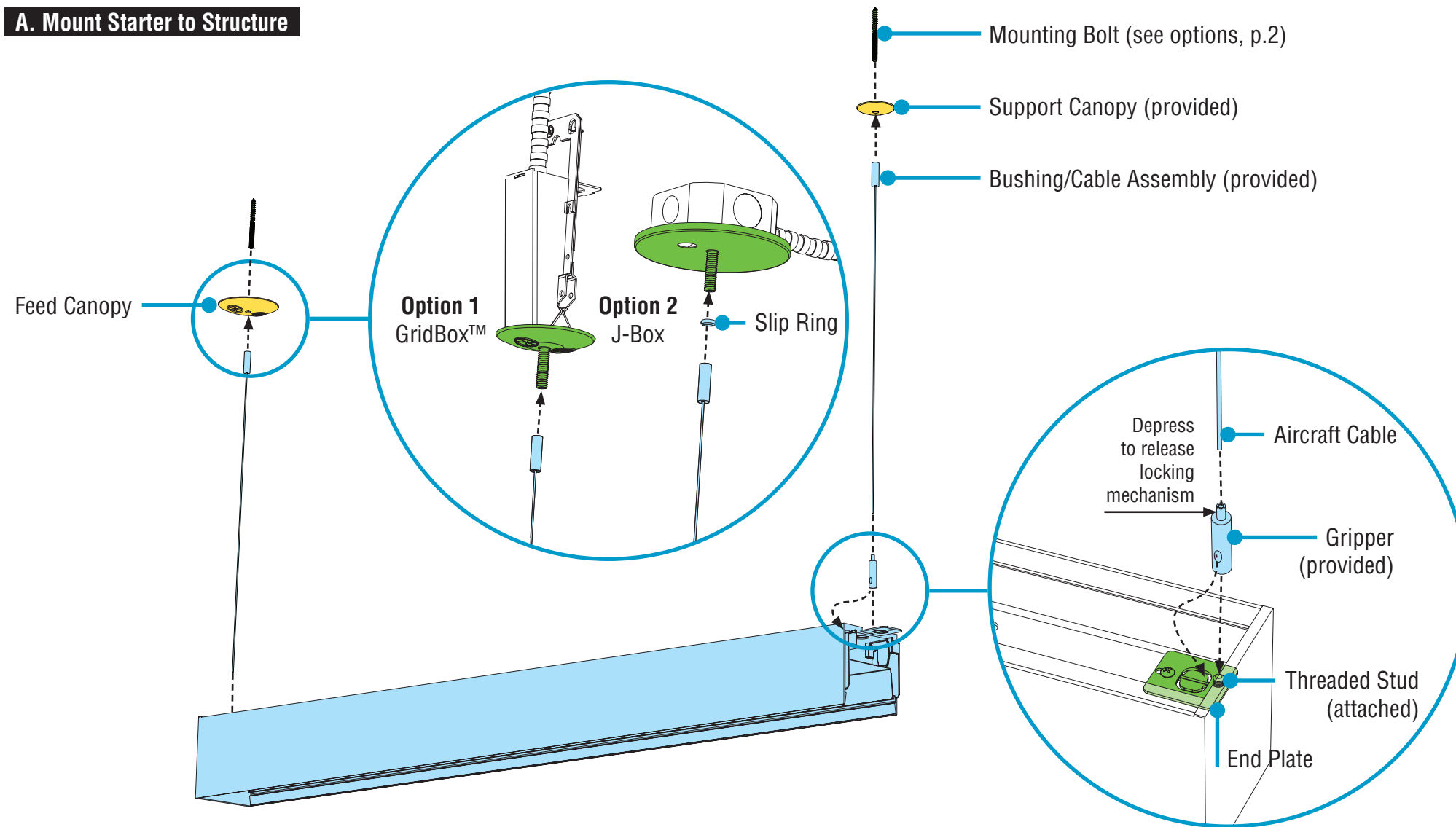


Louver Removal

HP-2 Indirect/Direct Installation Instructions

Step 3 - Mounting Starter to Structure

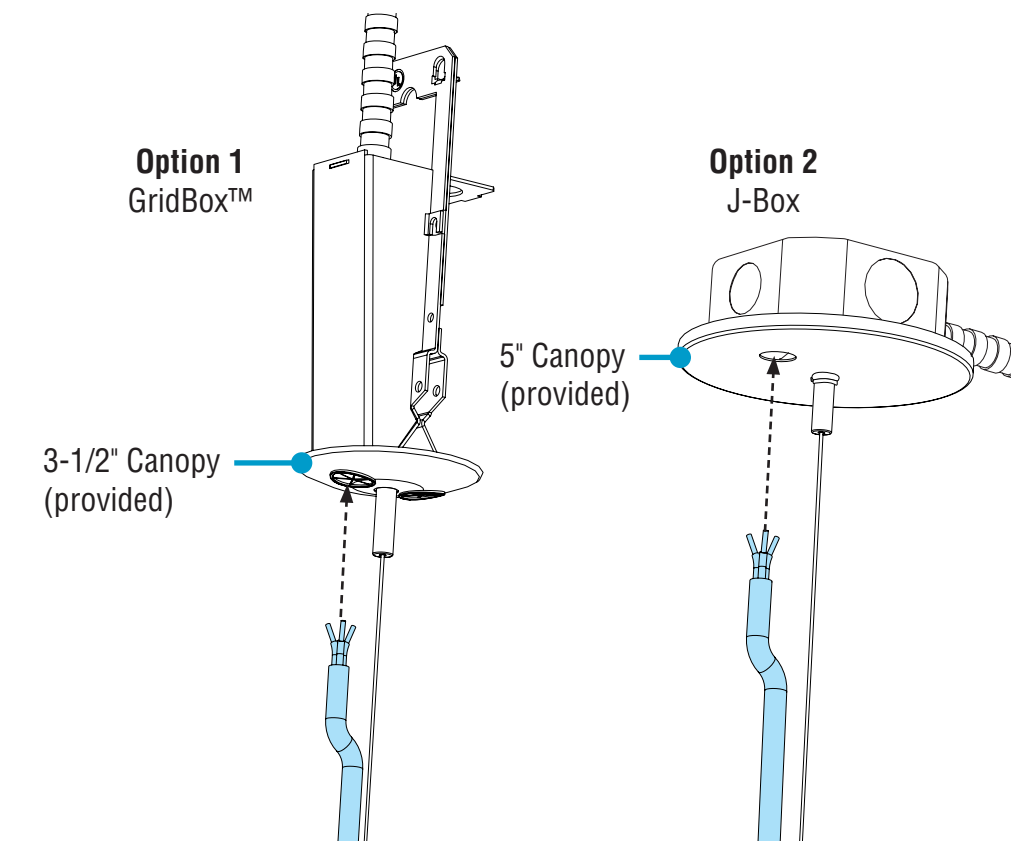
A. Mount Starter to Structure



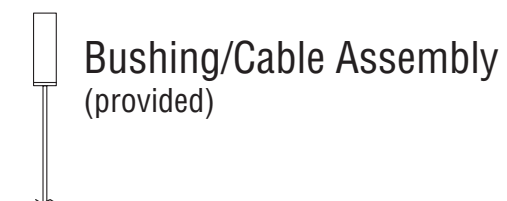
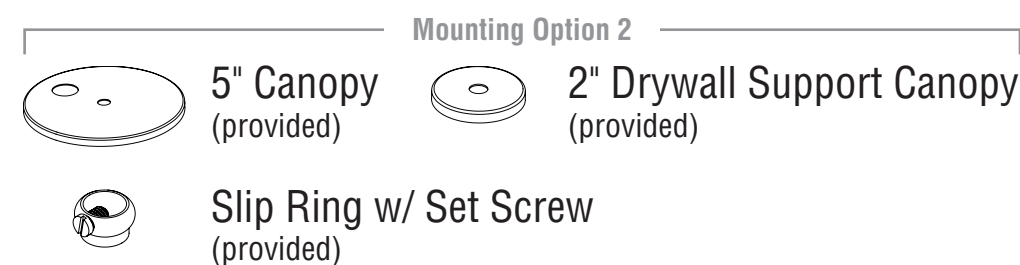
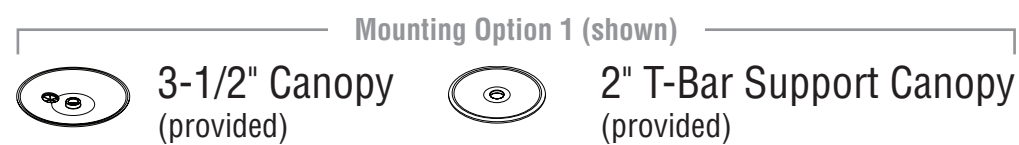
- Slide canopy appropriate for electrical type options onto mounting bolt (anchor bolt or caddy clip bolt).
- **(Option 2 only)** Thread the slip ring onto anchor bolts and secure with set screw at both mounting locations.
- Thread the bushing/cable assembly onto mounting bolts.
- Attach grippers onto threaded studs found on end plates of starter luminaire.
- While properly supporting luminaire, maneuver luminaire to ceiling.
- Depress the top of the gripper to feed the aircraft cable through and lead into the feed hole.

B. Make Electrical Connections

WIRING LEGEND		
Black	Hot	Line Voltage
White	Neutral	Line Voltage
Green	Ground	
Pink	Dimming	0-10V DC
Purple	Dimming	0-10V DC



- **(Option 1)** Feed power cord through the 3-1/2" canopy and connect wires inside the GridBox™.
- **(Option 2)** Feed power cord through the 5" canopy and connect wires inside the J-Box.
- **CRITICAL:** If installing an independent luminaire, perform all leveling. **PROCEED TO STEP 5.**



HP-2 Indirect/Direct Installation Instructions

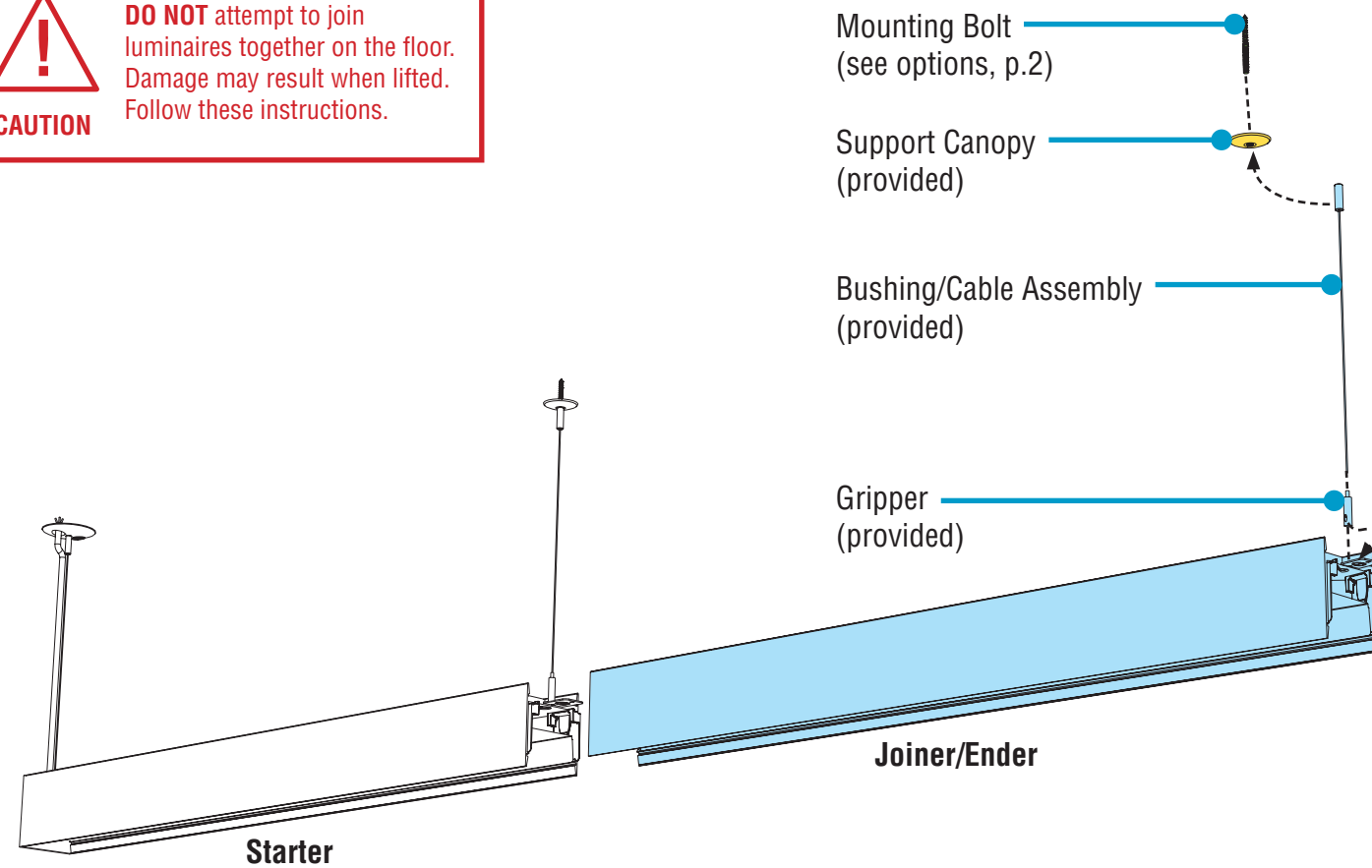
Step 4 - Joining Luminaires

A. Mount Joiner/Ender to Structure



CAUTION

DO NOT attempt to join luminaires together on the floor. Damage may result when lifted. Follow these instructions.

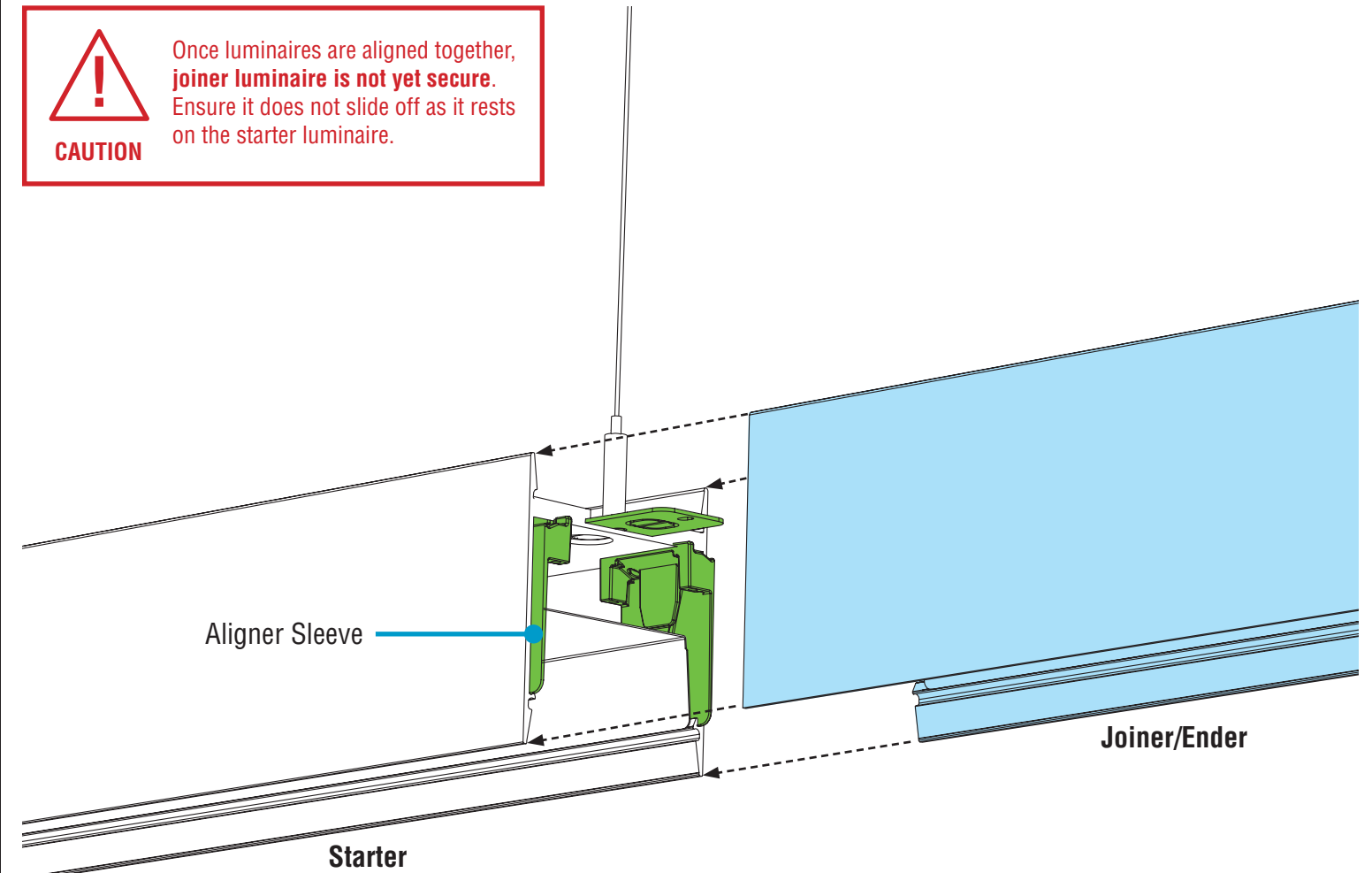


B. Join Luminaires



CAUTION

Once luminaires are aligned together, **joiner luminaire is not yet secure.** Ensure it does not slide off as it rests on the starter luminaire.



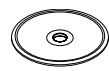
- For the joiner/ender luminaire, slide canopy appropriate for electrical type onto mounting bolt (anchor bolt or caddy clip bolt)
- Thread the bushing/cable assembly onto mounting bolt.
- Attach grippers onto threaded studs found on end plates of joiner/ender.
- While properly supporting luminaire, maneuver luminaire to ceiling.
- Depress the top of the gripper to feed the aircraft cable through and lead into the feed hole.

- Align joiner/ender luminaire with aligner sleeves on starter and slide together. Be careful not to damage any wiring.
- If necessary, **lift** both luminaires, then slide together.

Mounting Option 1 (shown)

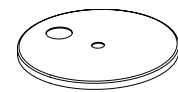


3-1/2" Canopy (provided)

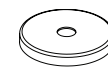


2" T-Bar Support Canopy (provided)

Mounting Option 2



5" Canopy (provided)



2" Drywall Support Canopy (provided)



Slip Ring w/ Set Screw (provided)



Bushing/Cable Assembly (provided)



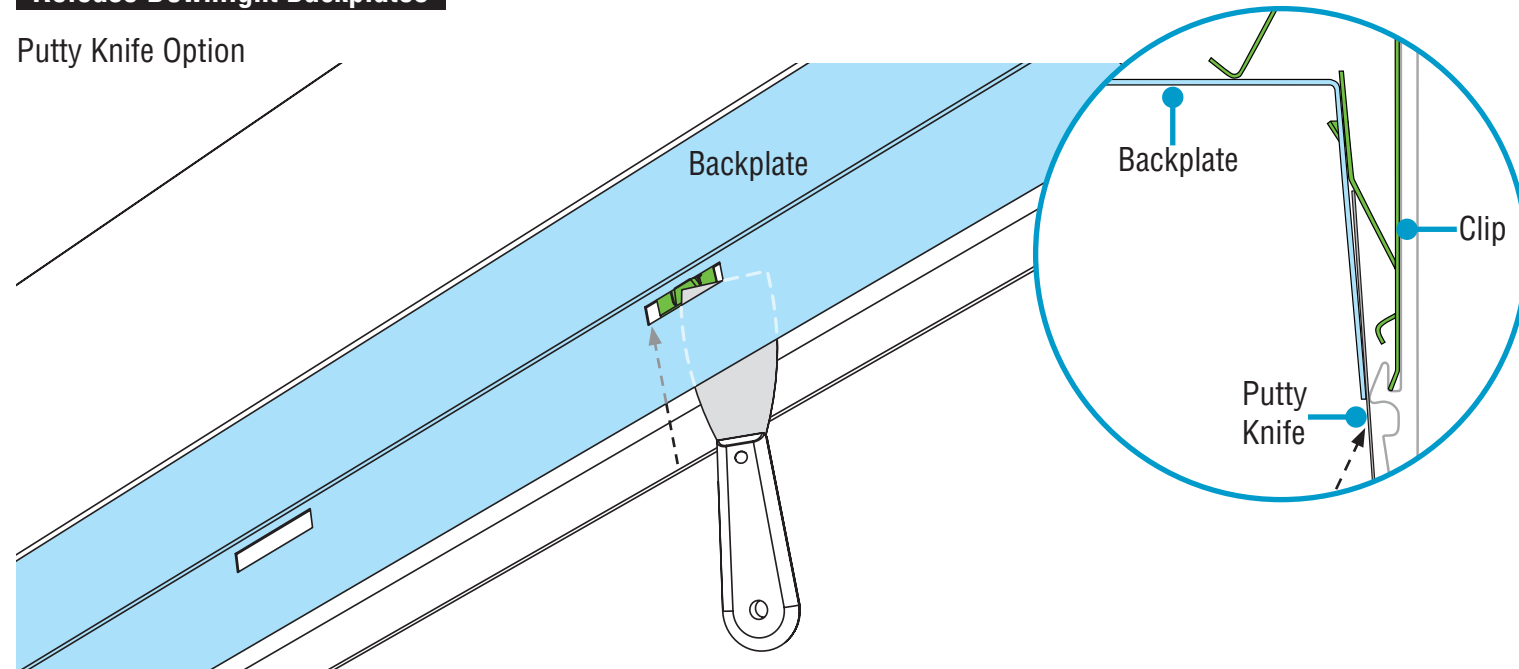
Gripper (provided)

HP-2 Indirect/Direct Installation Instructions

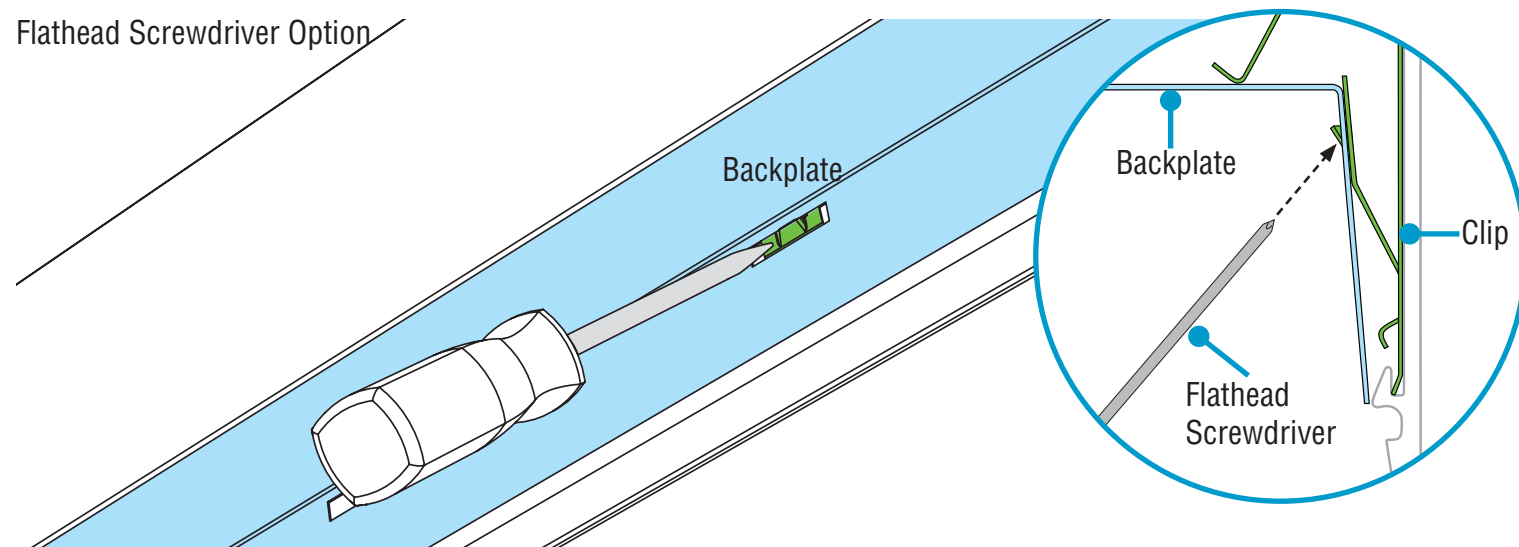
Step 5 - Opening Luminaires

Release Downlight Backplates

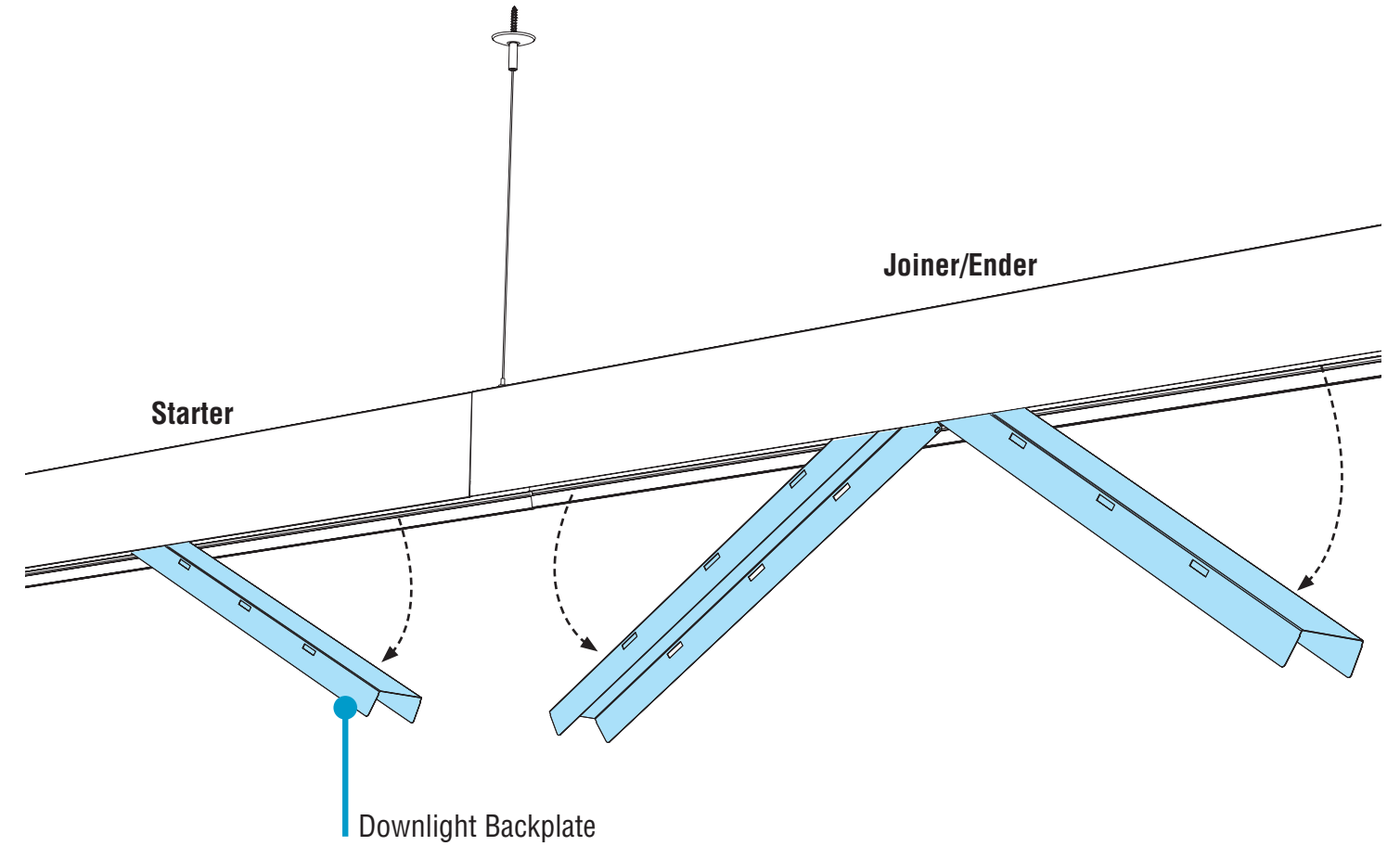
Putty Knife Option



Flathead Screwdriver Option



- **NOTE:** For independent luminaires, backplates do not need to be released.
- Release the backplates from clips by sliding the blade of a putty knife behind backplate edges.
- To use a flathead screwdriver, press end of screwdriver (from inside the luminaire) against the clip, until the backplate is released.



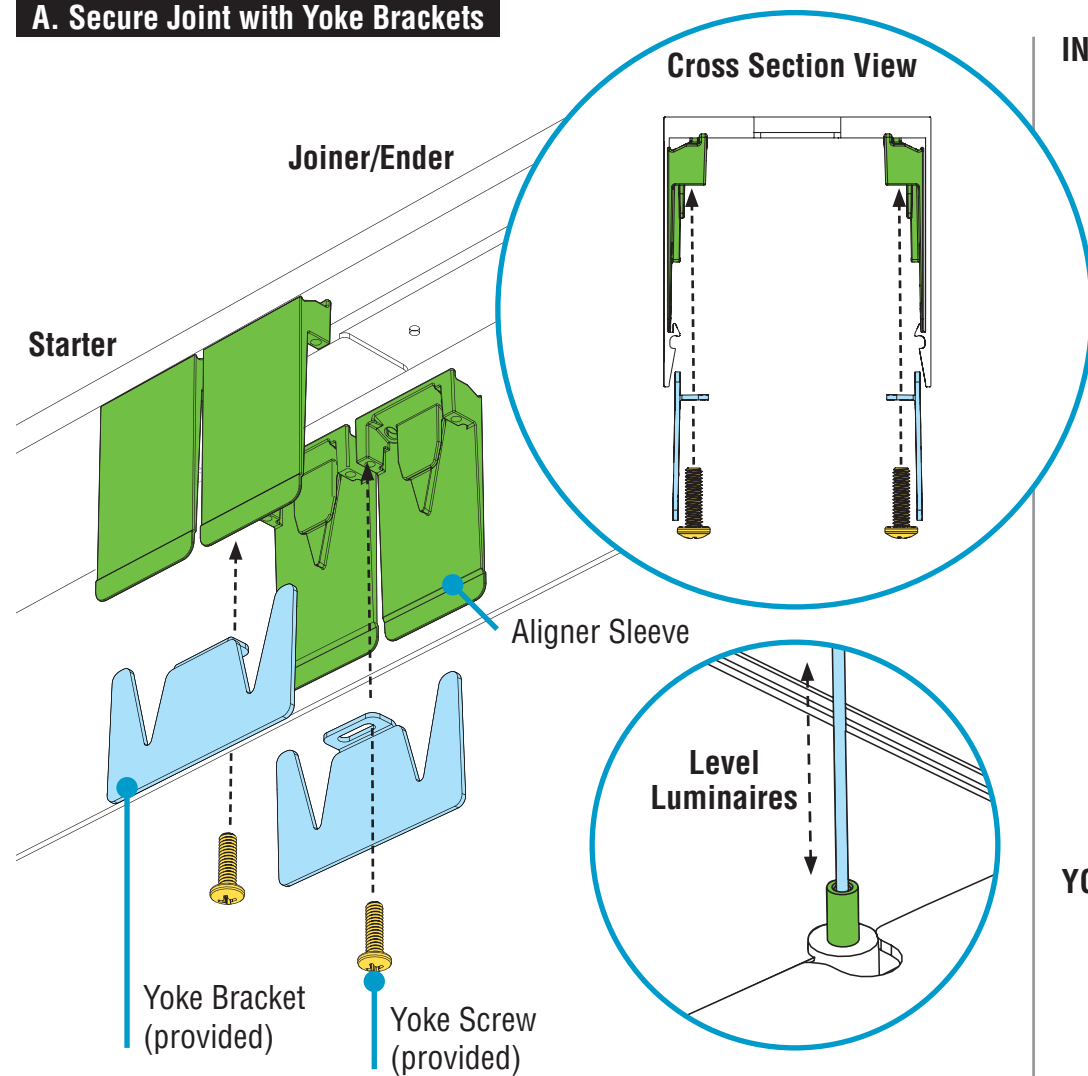
- Carefully rotate all downlight backplates out and let them hang from luminaire body.



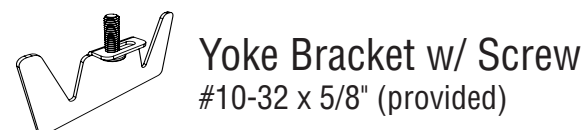
HP-2 Indirect/Direct Installation Instructions

Step 6 - Securing Luminaire Joints

A. Secure Joint with Yoke Brackets

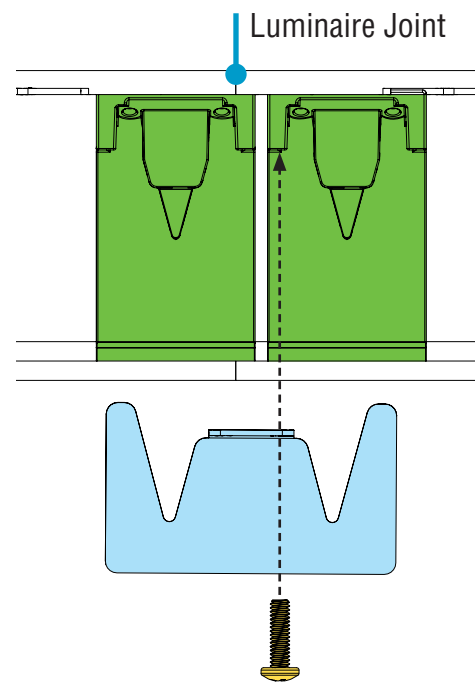


- **FOR SENSOR:** If luminaire contains a sensor at joint, refer to page 4 of Sensor Addendum before Securing Luminaire Joints.
- Before installing yoke brackets, ensure the joining ends of luminaires meet flush and square.
- **CRITICAL:** Ensure yoke brackets properly engage with aligner sleeves.
- Secure joint by threading (but not yet tightening) yoke screws through yoke brackets and into the aligner sleeves.
- Level all luminaires to desired height by depressing top of grippers to adjust cable lengths.
- Tighten yoke screws¹ until joint seam of luminaires is closed.

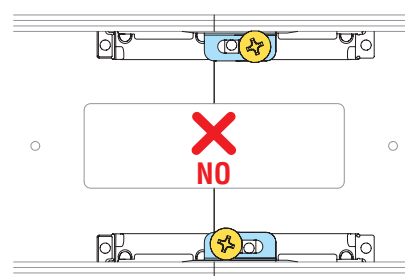


¹ Screwdriver with 6° bit required.

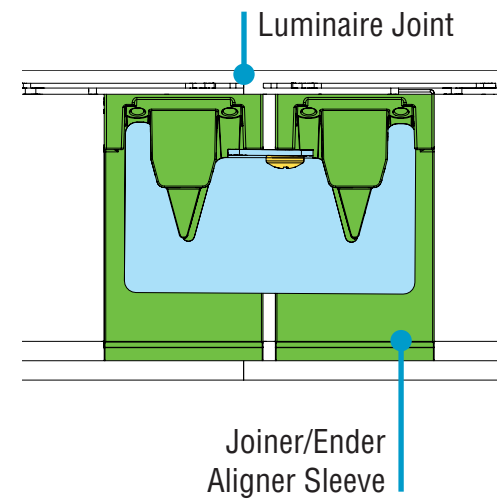
IN ALIGNMENT



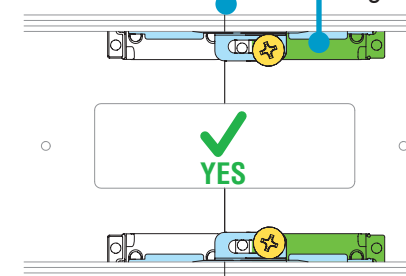
YOKE SCREW ALIGNMENT Bottom-Up View



CORRECTLY INSTALLED

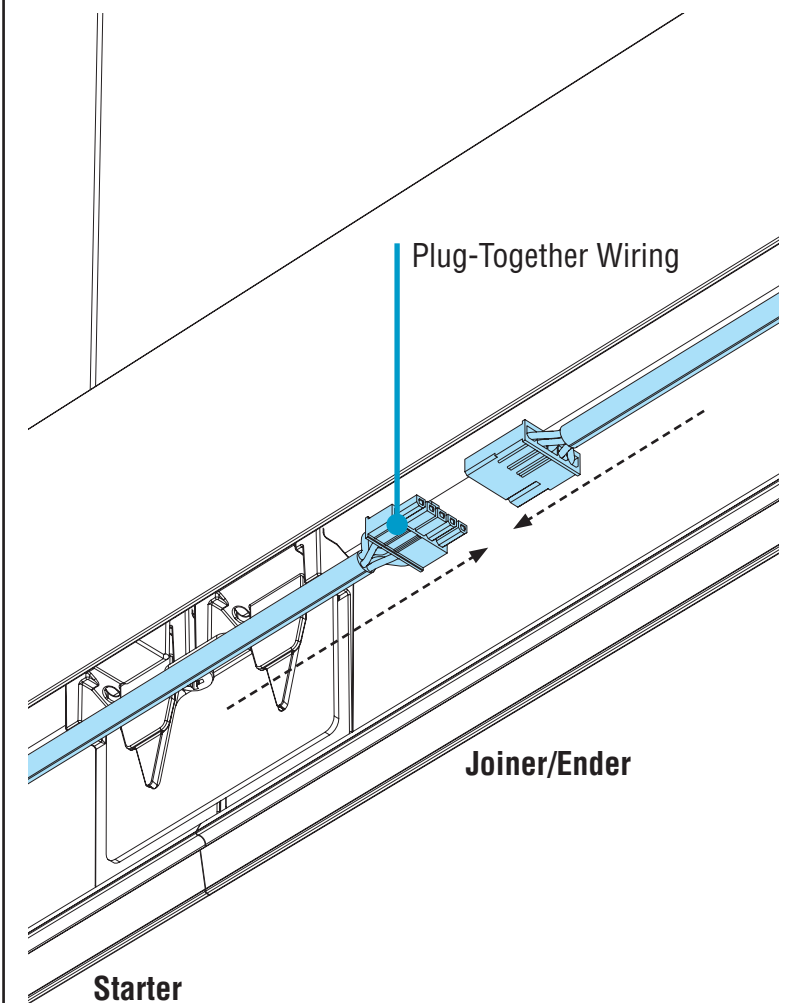


Luminaire Joint Joiner/Ender Aligner Sleeve



NOTE: Yoke screws should be installed directly across from each other, not diagonally, and in holes furthest from the joint line. One yoke screw per one yoke bracket.

B. Make Electrical Connections



- Connect plug-together wiring.



Universal & Robust Joints

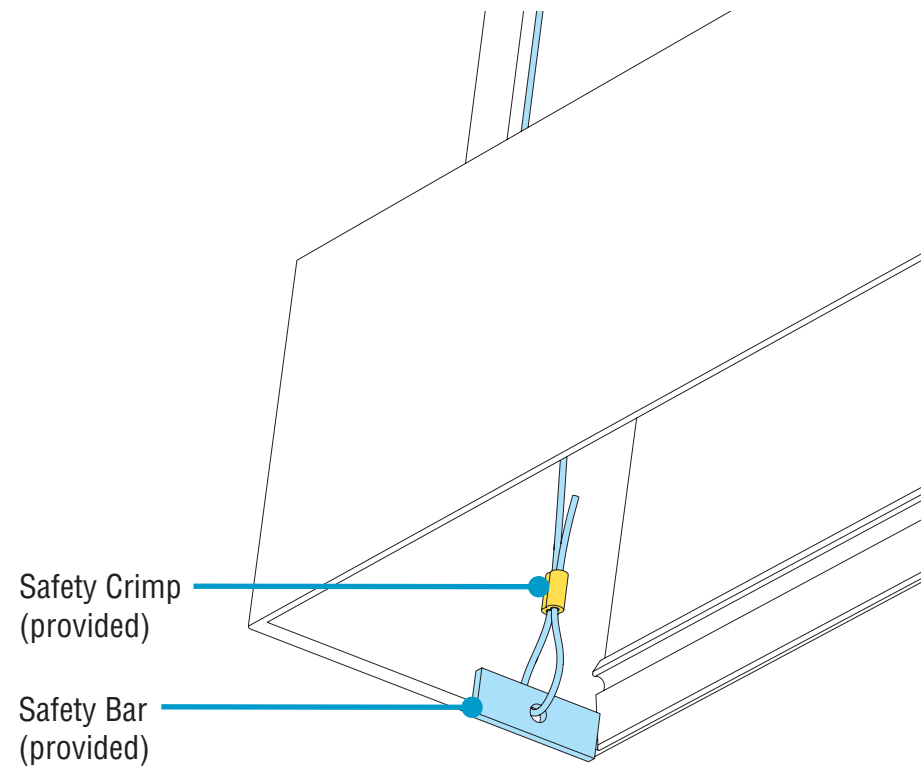


Simple Plug-Together Wiring

HP-2 Indirect/Direct Installation Instructions

Step 7 - Closing Luminaires

A. Crimp Cables

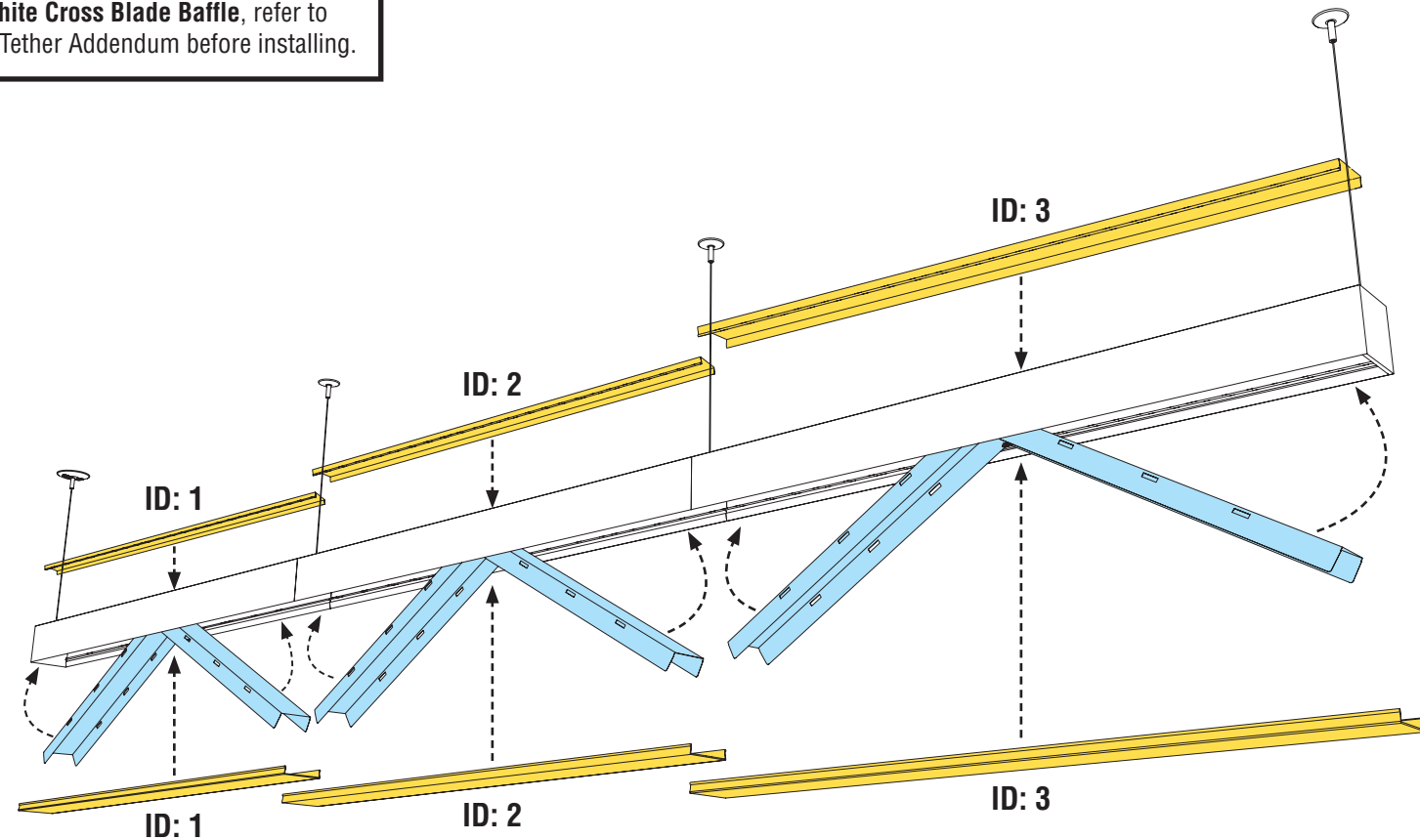


- If backplate is not already open at suspension point, then release backplate first.
- Run excess cable through feed hole.
- Loop cable through safety crimp and safety bar, then back through safety crimp.
- Crimp, then cut excess cable.
- Tuck safety loop inside luminaire.



B. Final Step - Replace Backplates & Diffusers or Louvers

NOTE: For White Cross Blade Baffle, refer to Baffle Tether Addendum before installing.



- **NOTE:** If your installation includes a battery backup, please see addendum (98333) that should be included with your kitting package.
- **FOR SENSOR:** If luminaire contains a sensor at joint, refer to page 5 of Sensor Addendum before Closing Luminaires.
- Reinstall any open backplates by rotating into luminaire body and snapping back into clips.
- Remove diffusers or louvers from protective plastic bags.
- **CAUTION:** Wear gloves to keep diffuser or louver surface clean.
- **CRITICAL:** Be sure to install correct diffuser or louver to its corresponding luminaire ID.
- **NOTE:** For White Cross Blade Baffle, refer to Baffle Tether Addendum before installing.
- Install diffuser or louver into luminaire body, ensuring it snaps into place.
- Turn power on to luminaires.