

# HP-2 / HP-4 Wall Mount Indirect/Direct with Mitered Corners Installation Instructions

Regressed Luminaires Use Same Instructions

**FINELITE®**  
*Better Lighting*

## Overview

### NOTES

- If luminaire contains a sensor or socket refer to the appropriate Addendum.
- All power connections should be installed according to local/national codes by a Certified Electrician.
- This installation requires **proper support** as each luminaire is being installed.
- **DO NOT attempt to join luminaires together on the floor.** Damage may result when lifted.



HELPFUL  
VIDEOS



Louver  
Removal



0-10V  
Dimming



Effortless  
Access



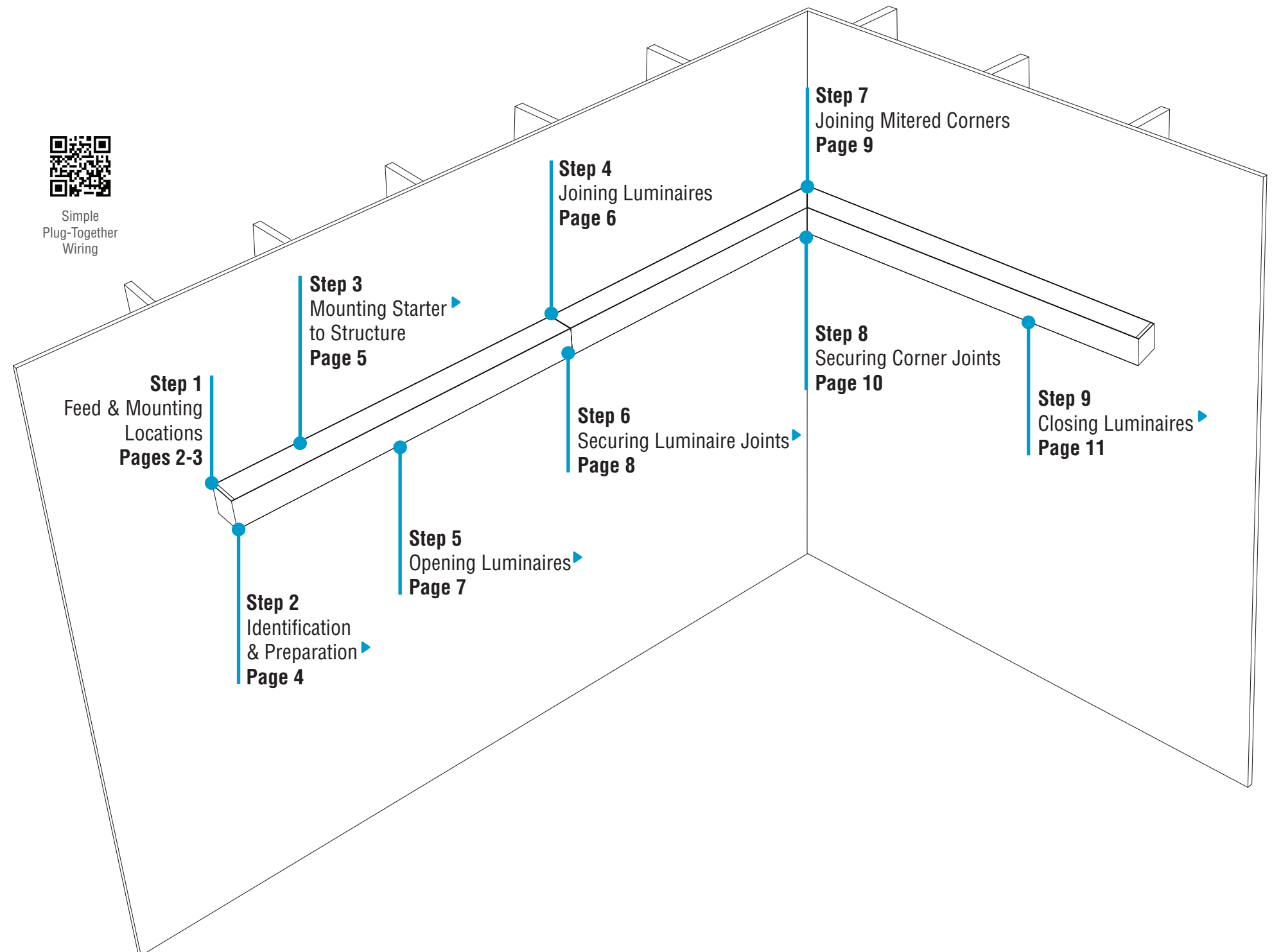
Socket Removal  
& Installation



Universal &  
Robust Joints



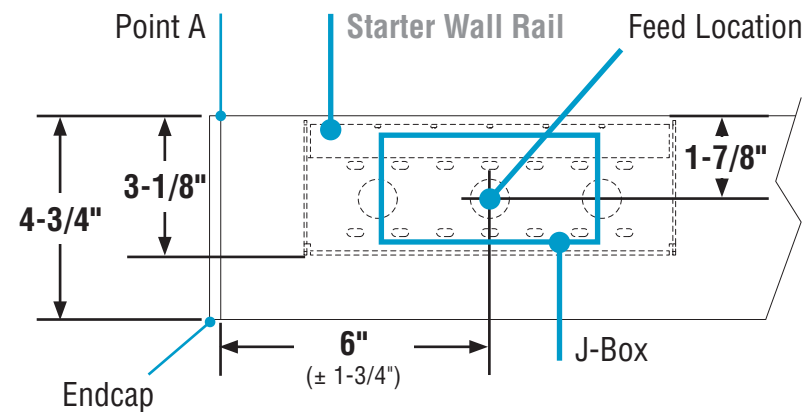
Simple  
Plug-Together  
Wiring



# HP-2 / HP-4 Wall Mount Indirect/Direct with Mitered Corners Installation Instructions

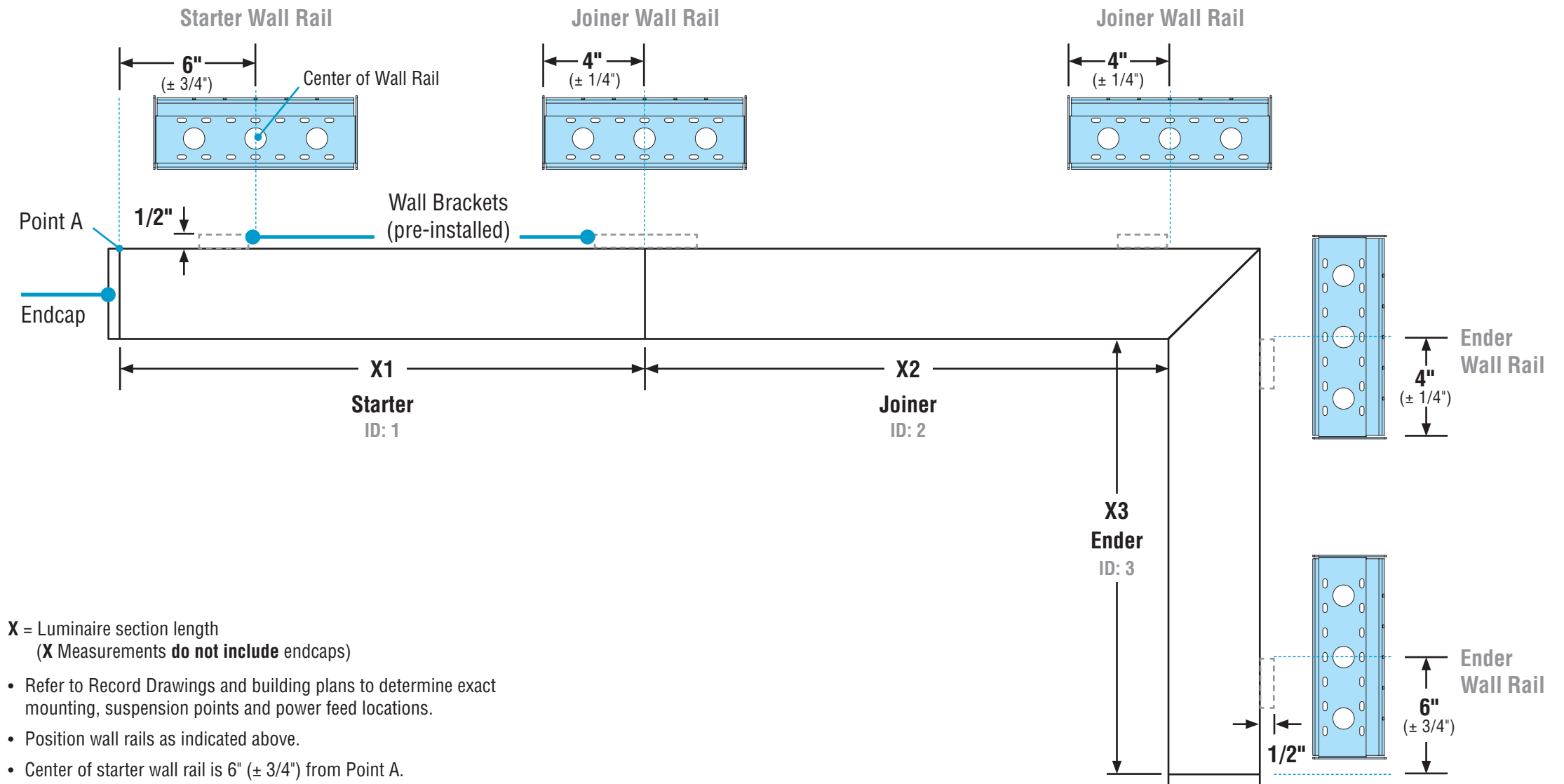
## Step 1 - Feed & Mounting Locations

### J-Box & Feed Location Side View

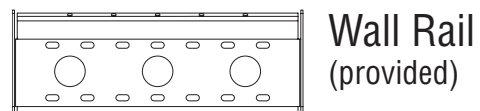


- Position luminaire on wall in desired location.
- Mark the top corner of the luminaire, not including the endcap. This is Point A. Use Point A to find and mark feed location.
- Use feed location to center and install 2x4 (single-gang) J-Box.
- Position starter wall rail. (See Mounting Locations.)
- Install starter wall rail to wall. (See page 3.)

### Mounting Locations Top View



- X** = Luminaire section length  
(**X** Measurements **do not include** endcaps)
- Refer to Record Drawings and building plans to determine exact mounting, suspension points and power feed locations.
  - Position wall rails as indicated above.
  - Center of starter wall rail is 6" ( $\pm 3/4$ ") from Point A.
  - Ensure wall rail mounts are secured to proper structural support.

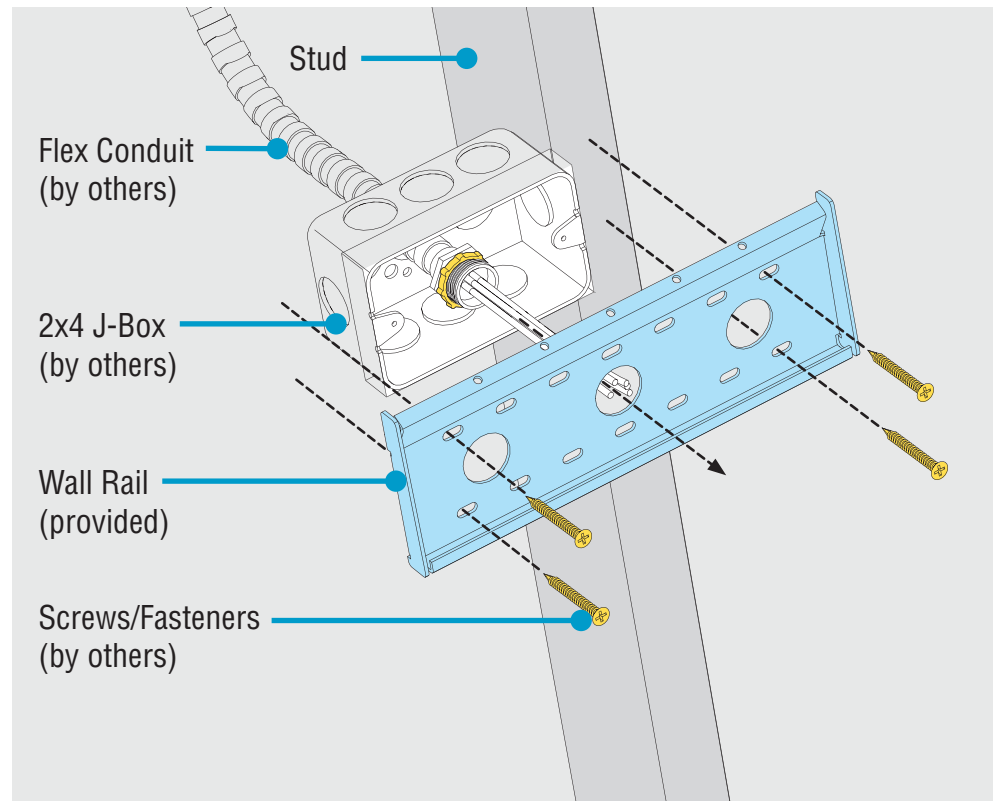


CONTINUED

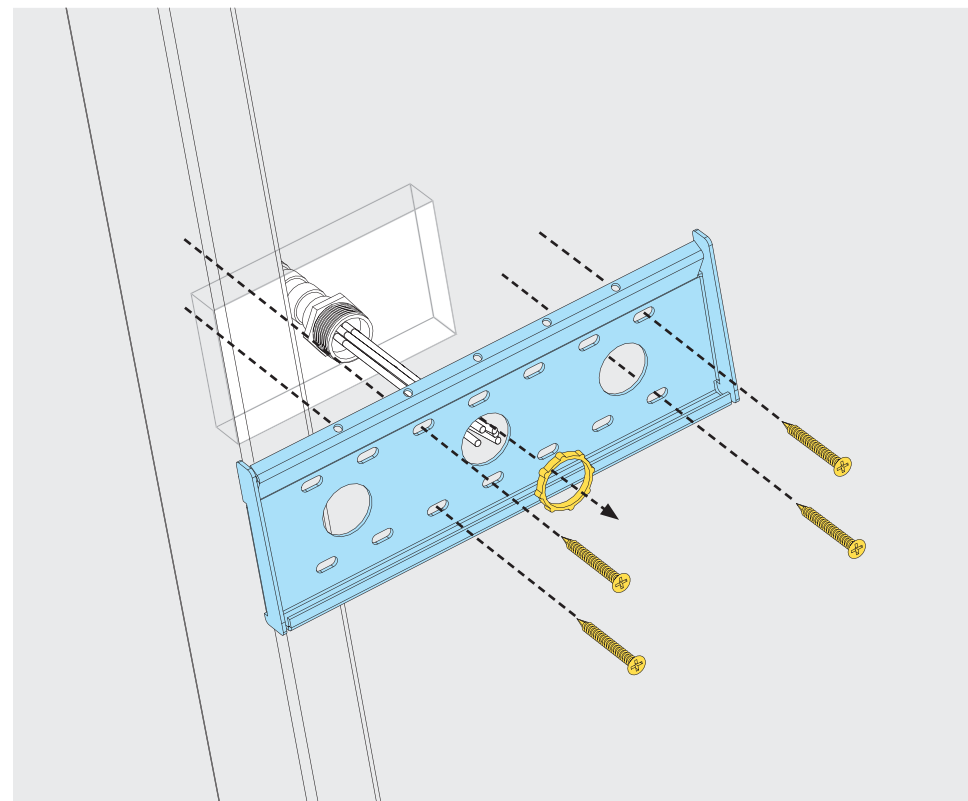
# HP-2 / HP-4 Wall Mount Indirect/Direct with Mitered Corners Installation Instructions

## Step 1 - Feed & Mounting Locations

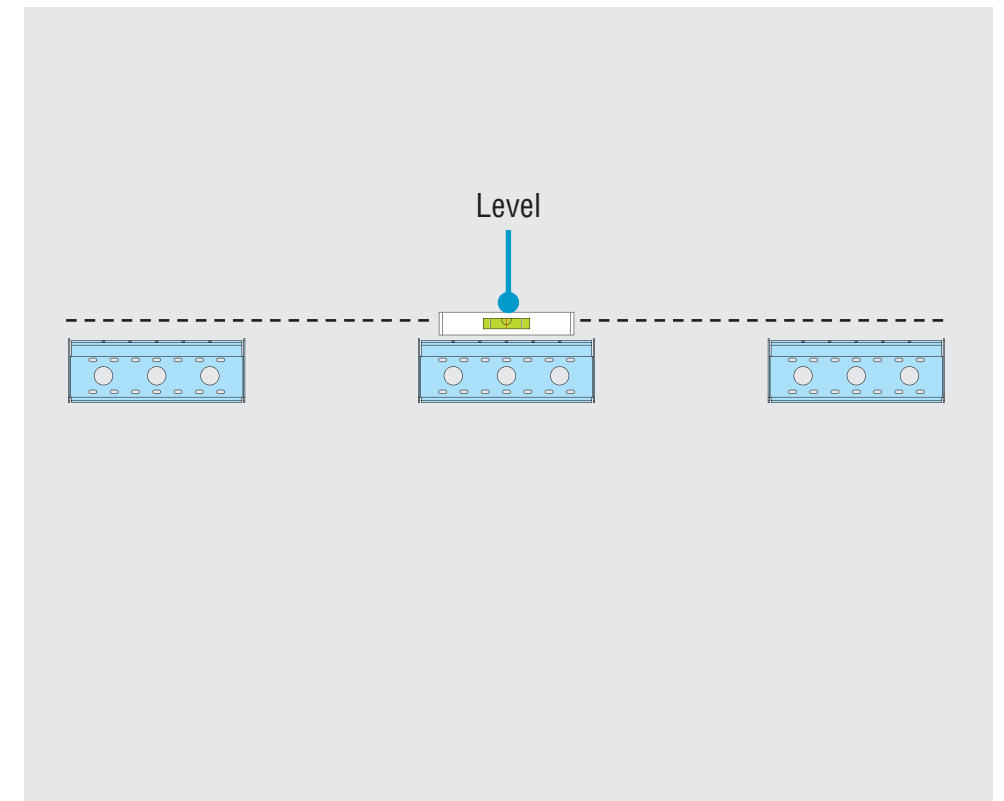
### A. Mount Wall Rail & Power Feed



### Alternate Mounting Method

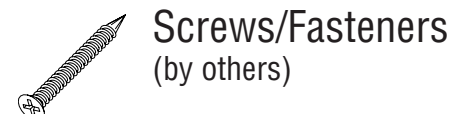
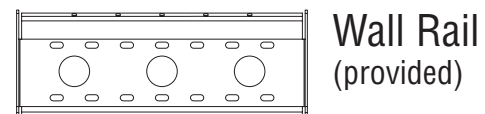
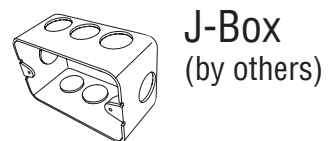
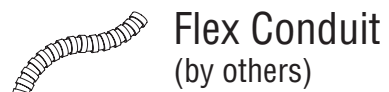


### B. Level Wall Rails



- Use feed location to center and install 2x4 (single-gang) J-Box.
- Level wall rail to ensure proper mounting.
- Install screws through rail and into proper structure support.

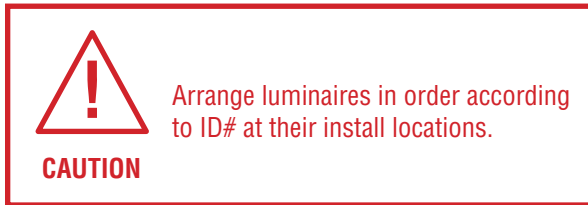
- Install all wall rails, ensuring they are level with each other.



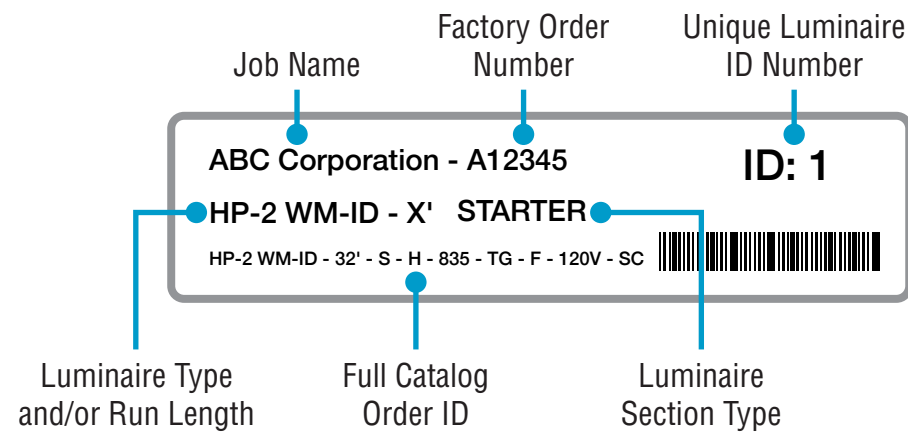
# HP-2 / HP-4 Wall Mount Indirect/Direct with Mitered Corners Installation Instructions

## Step 2 - Identification & Preparation

### A. Identify Luminaires



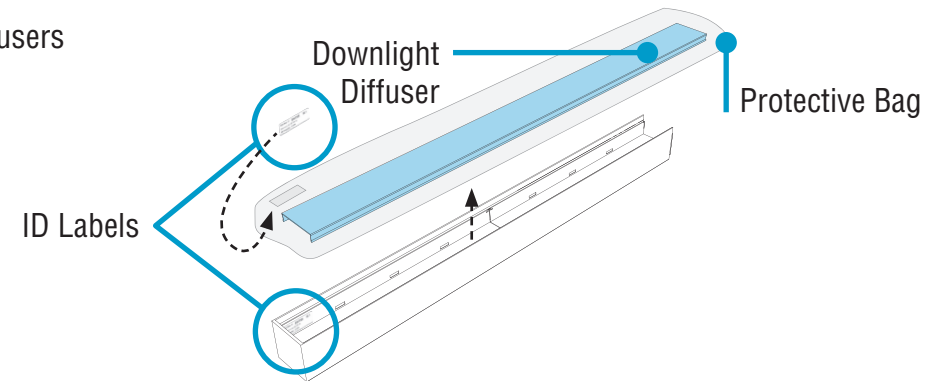
Arrange luminaires in order according to ID# at their install locations.



- Identify all luminaires by their ID label that can be found on the box, on the diffuser, and inside the luminaire.
- NOTE:** Exact location of labels in these areas may vary.
- Remove all luminaires from their box.
- Refer to Record Drawings that can be found in the hardware kit.

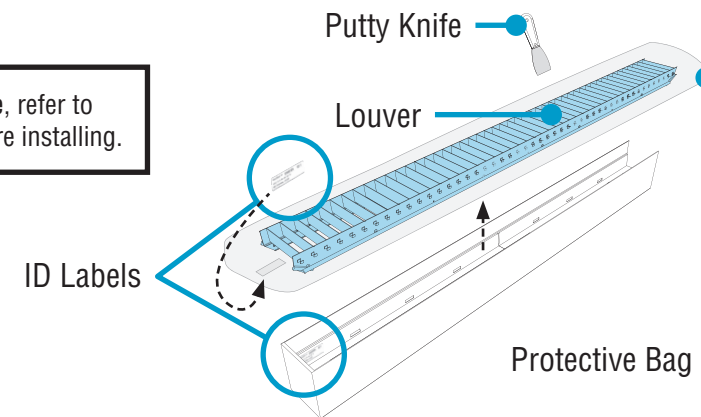
### B. Remove Downlight Diffusers or Louvers

Remove Diffusers



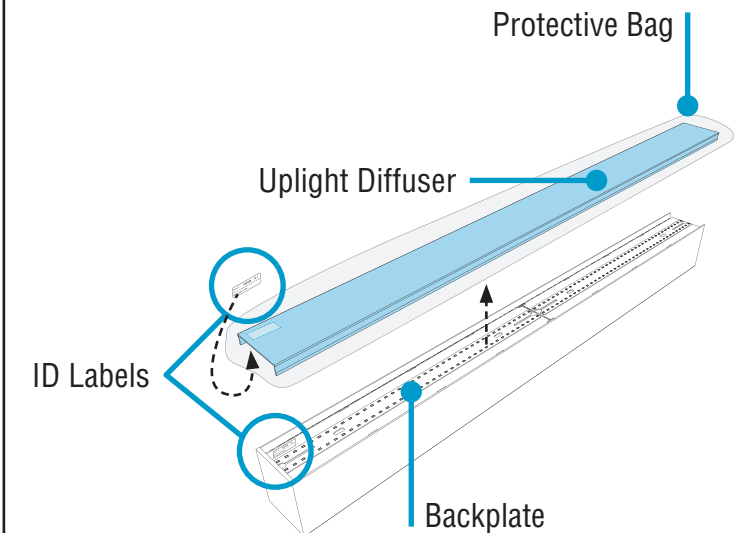
Remove Louvers

**NOTE:** For White Cross Blade Baffle, refer to Baffle Tether Addendum before installing.



- Carefully remove all downlight diffusers or louvers, keeping them inside their protective bags.
- FOR LOUVERS:** Release louvers by inserting the blade of a putty knife approximately 1" down behind louver edges and pry up.
- Set aside all downlight diffusers or louvers to prevent from getting dirty or damaged.
- Ensure downlight diffusers or louvers can be identified back to their corresponding luminaire.

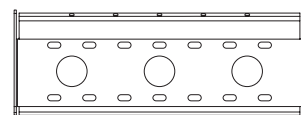
### C. Remove Uplight Diffuser



- Carefully remove all upright diffusers, keeping them inside their protective bag.
- Set aside all upright diffusers to prevent from getting dirty or damaged.
- Ensure upright diffusers can be identified back to their corresponding luminaire.

### Kitted Hardware

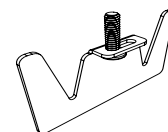
- Finelite has provided items listed here, with their Finelite part numbers. These items can be found in separate boxes shipped with the luminaire.
- Account for all parts and set aside until they are needed.
- All other hardware needed for this installation will be by others.



**Wall Rail**  
Part# 20081  
Feed & Mounting Locations  
pp. 2-3, Step 1



**#8-18 x 1/4" Mounting Screw**  
Part# 94059  
Mounting Starter to Structure  
p. 5, Step 3  
Closing Luminaires  
p. 11, Step 9



**Yoke Bracket**  
Part# 45042  
**#10-32 x 5/8" Yoke Screw**  
Part# 94144  
Securing Luminaire Joints  
p. 8, Step 6  
Securing Corner Joints  
p. 10, Step 8



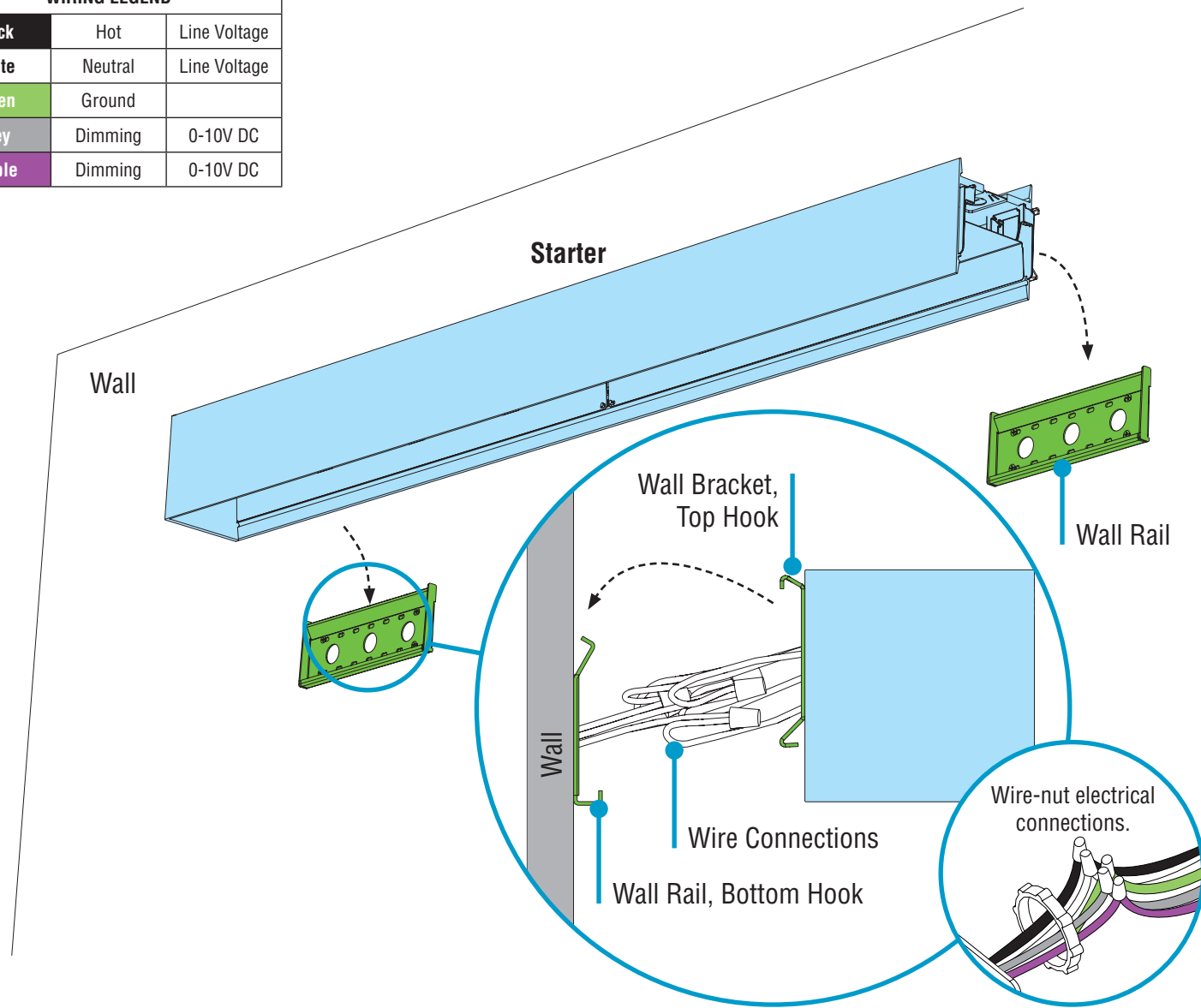
Louver Removal

# HP-2 / HP-4 Wall Mount Indirect/Direct with Mitered Corners Installation Instructions

## Step 3 - Mounting Starter to Structure

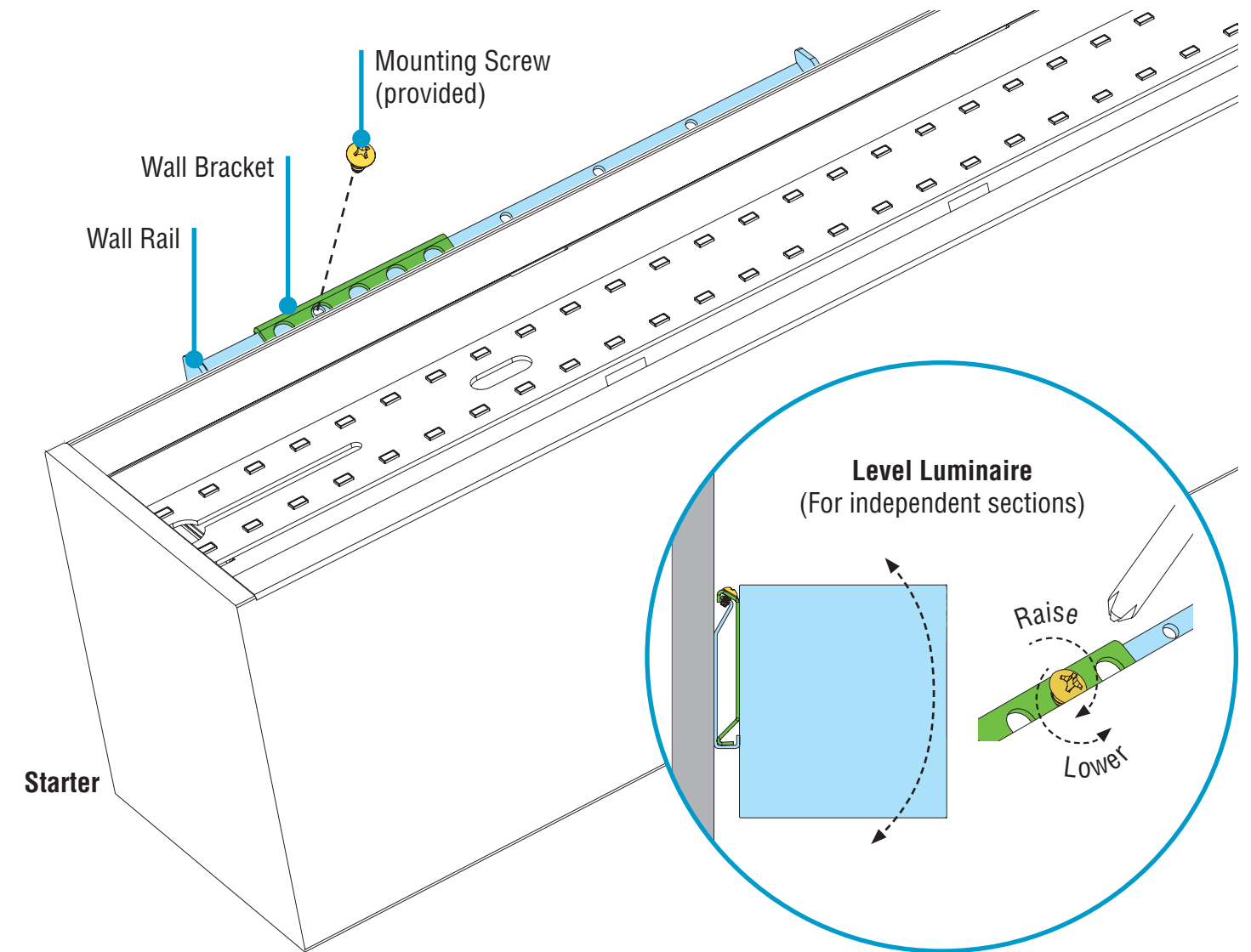
### A. Mount Starter to Structure

WIRING LEGEND		
Black	Hot	Line Voltage
White	Neutral	Line Voltage
Green	Ground	
Grey	Dimming	0-10V DC
Purple	Dimming	0-10V DC

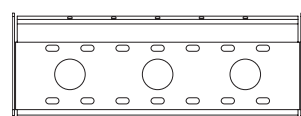


- While properly supporting luminaire, make electrical connections and push complete connections into J-Box.
- Position starter luminaire in place so that the top and bottom hooks of the wall bracket engage with the top and bottom hooks of the wall rail.

### B. Secure Starter to Wall Rail



- If there is no joiner, then secure starter luminaire to wall rail with a mounting screw and perform leveling. Tightening the screw raises and loosening the screw lowers the front edge of the luminaire. **PROCEED TO STEP 7.**
- If continuing with a joiner luminaire, do not perform leveling yet.



Wall Rail  
(provided)



Mounting Screw  
#8-18 x 1/4" (provided)

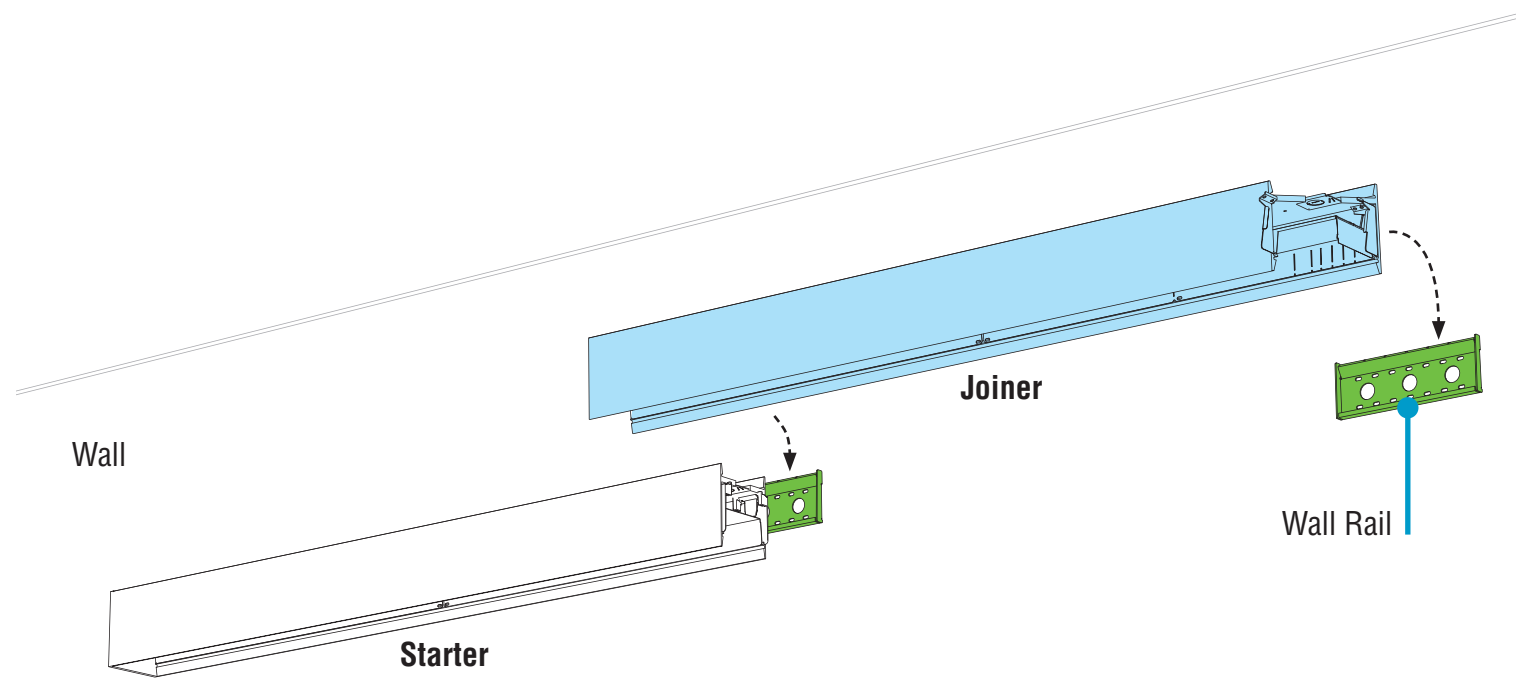


0-10V  
Dimming

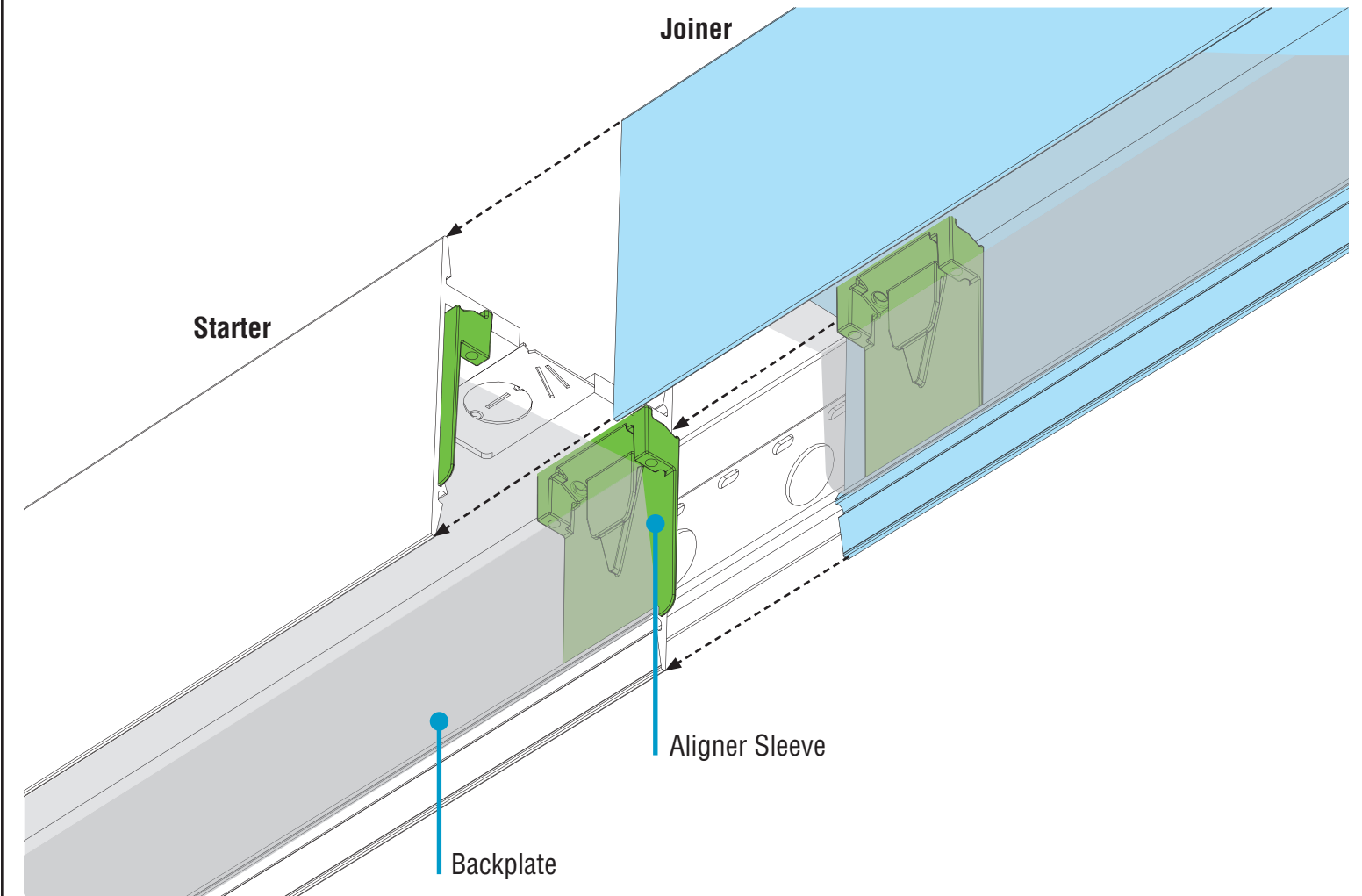
# HP-2 / HP-4 Wall Mount Indirect/Direct with Mitered Corners Installation Instructions

## Step 4 - Joining Luminaires

### A. Mount Joiner to Structure



### B. Join Luminaires



- Maneuver joiner/ender luminaire to wall and engage top and bottom hooks of the wall bracket with the top and bottom hooks of the wall rail.

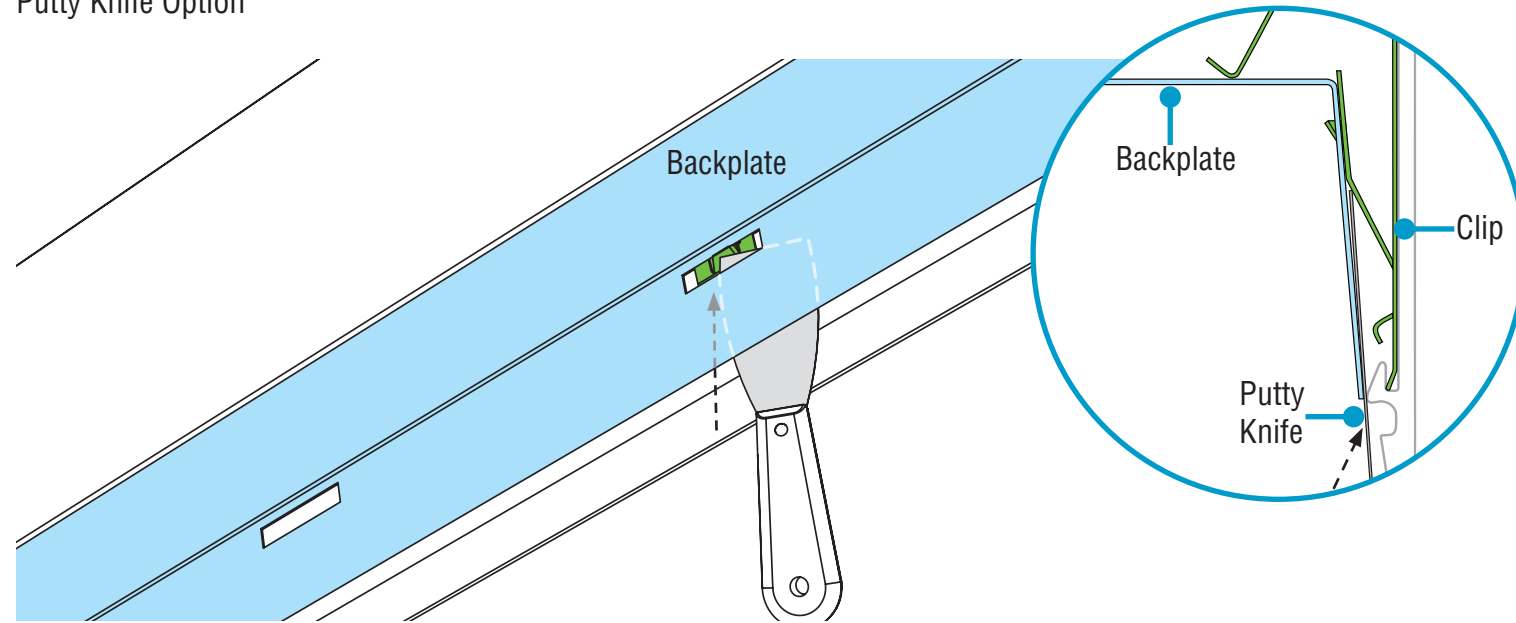
- Align joiner with aligner sleeves on starter and slide together. Be careful not to damage any wiring.
- If necessary, **lift** both luminaires, then slide together.

# HP-2 / HP-4 Wall Mount Indirect/Direct with Mitered Corners Installation Instructions

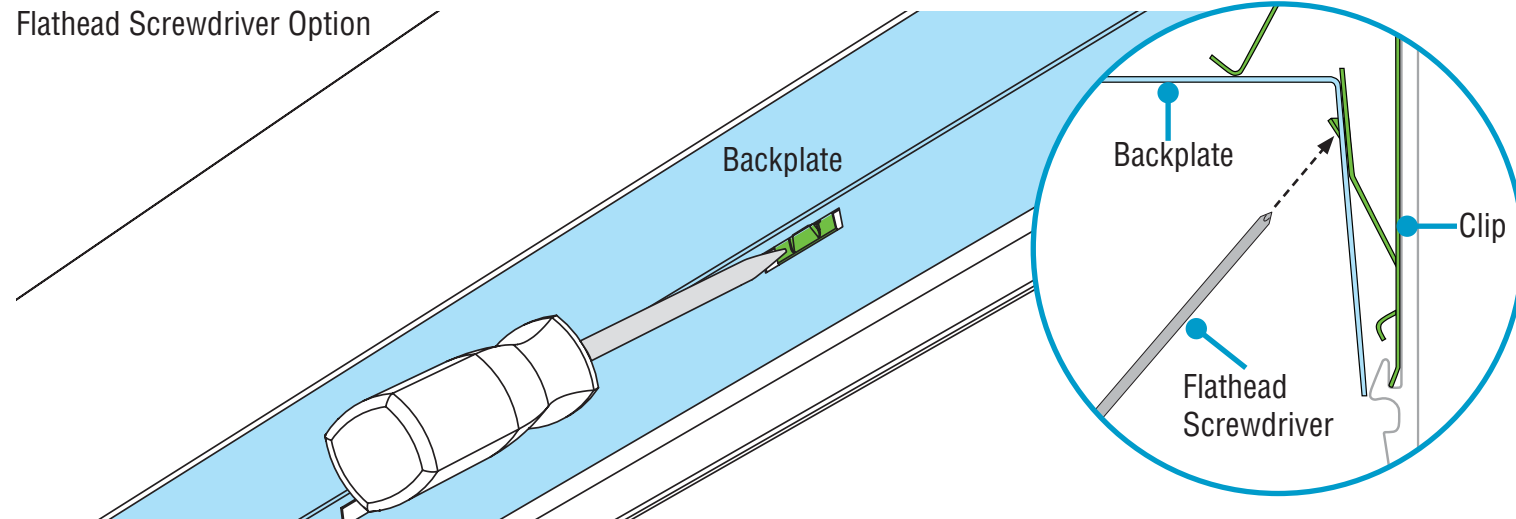
## Step 5 - Opening Luminaires

### Release Backplates

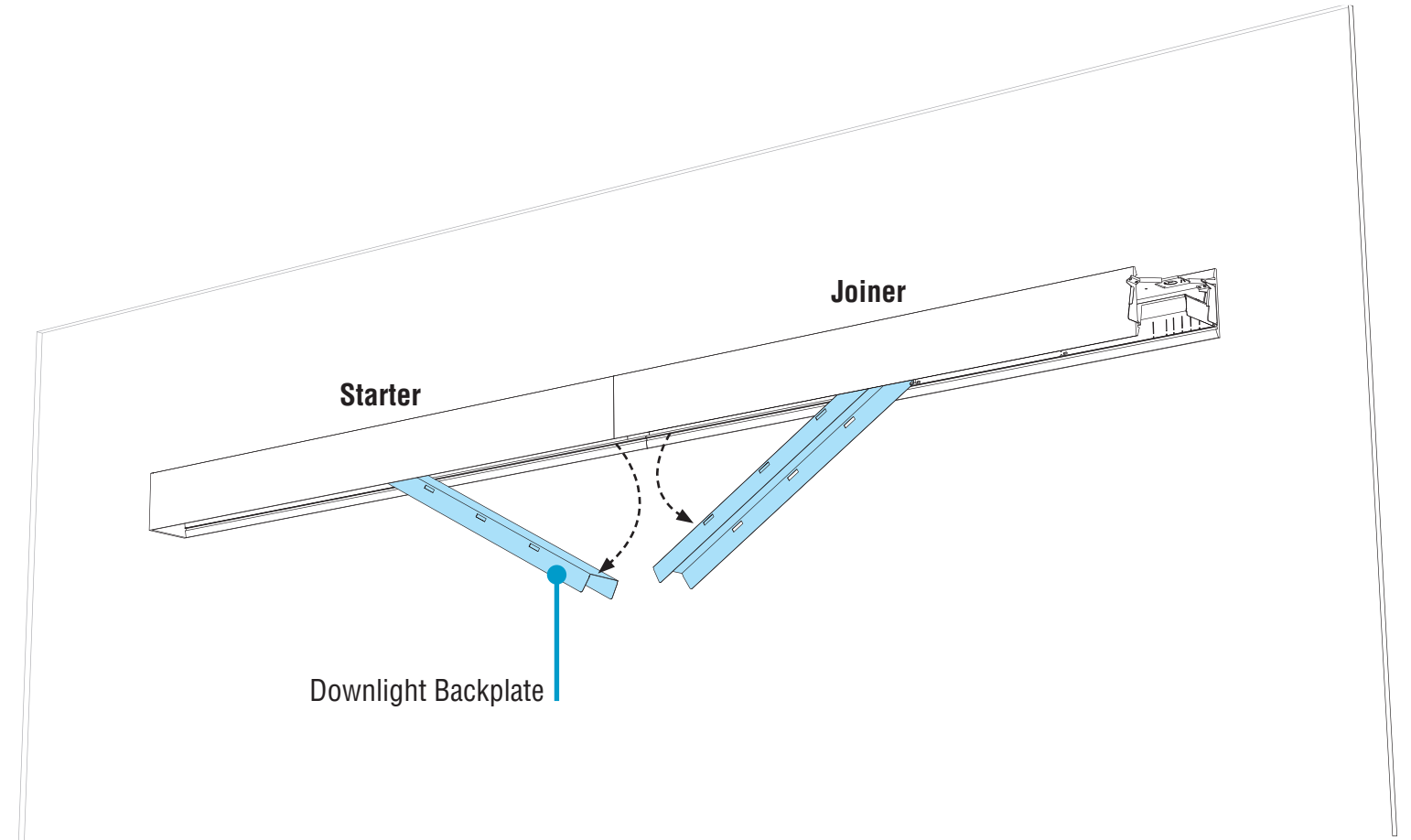
Putty Knife Option



Flathead Screwdriver Option



- Release the backplates from clips by sliding the blade of a putty knife behind backplate edges.
- To use a flathead screwdriver, press end of screwdriver (from inside the luminaire) against the clip, until the backplate is released.



- Carefully rotate downlight backplates out **at the joints only** and let them hang from luminaire bodies.

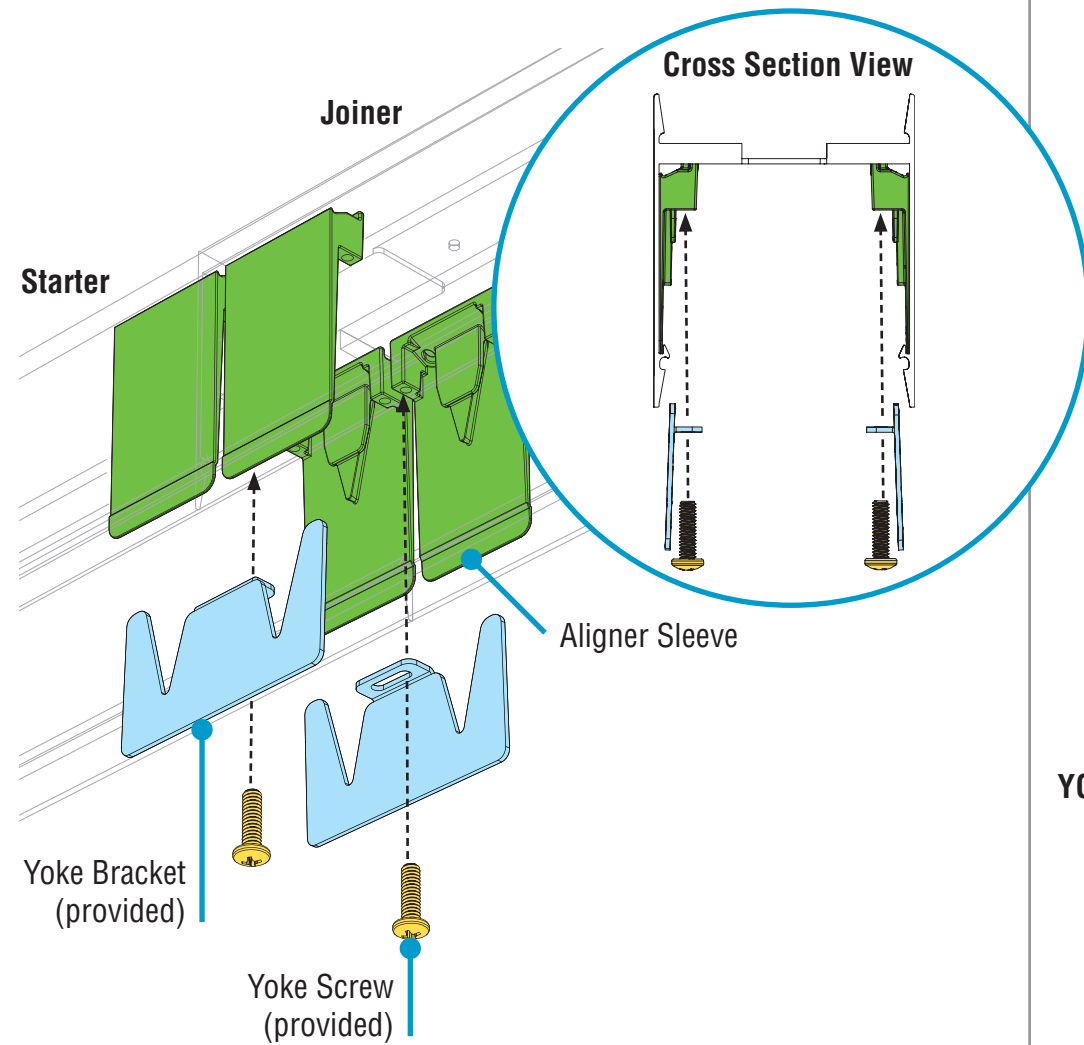


Effortless  
Access

# HP-2 / HP-4 Wall Mount Indirect/Direct with Mitered Corners Installation Instructions

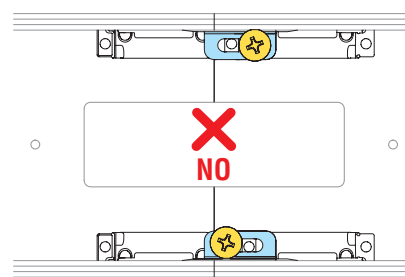
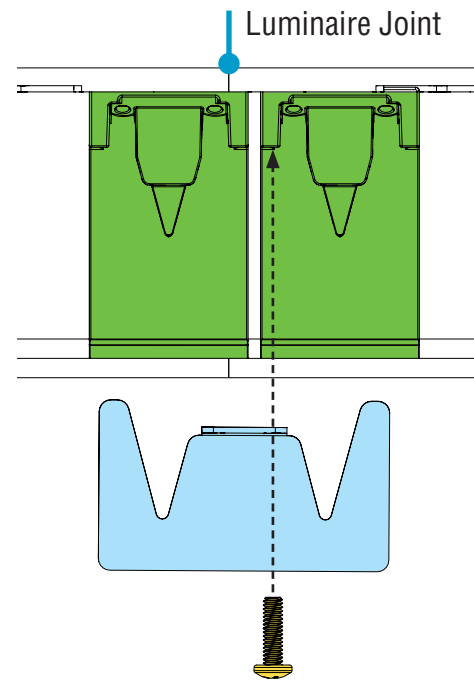
## Step 6 - Securing Luminaire Joints

### A. Secure Joint with Yoke Brackets

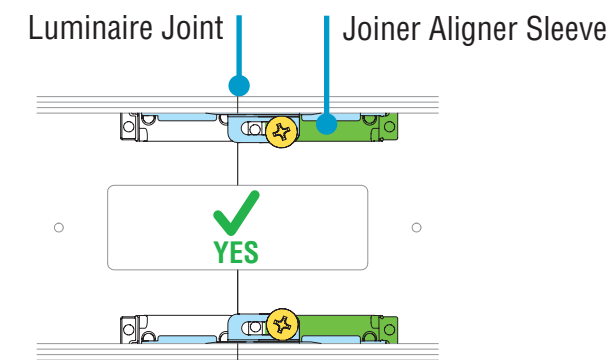
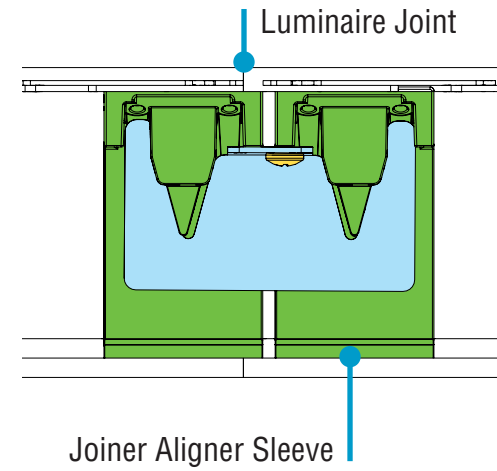


- **FOR SENSOR OR SOCKET:** If luminaire contains a sensor or socket at joint, refer to page 4 of appropriate Addendum before Securing Luminaire Joints.
- Before installing yoke brackets, ensure the joining ends of luminaires meet flush and square.
- **CRITICAL:** Ensure yoke brackets properly engage with aligner sleeves.
- Secure joint by threading (but not yet tightening) yoke screws through yoke brackets and into the aligner sleeves.

### IN ALIGNMENT

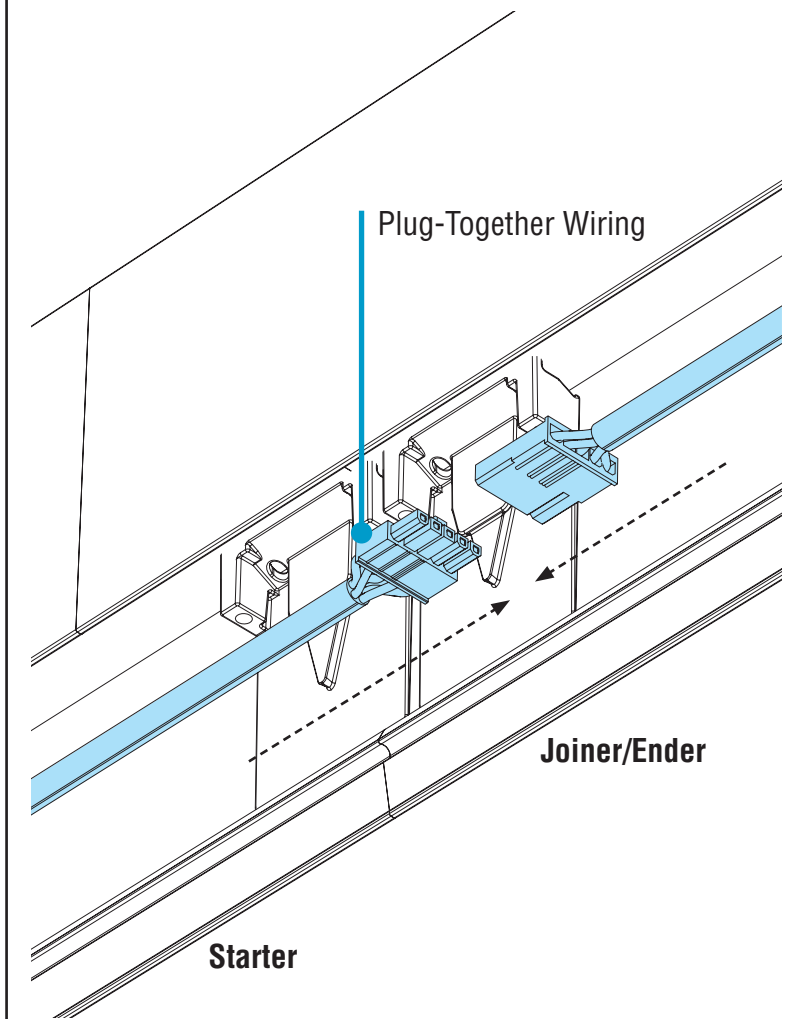


### CORRECTLY INSTALLED

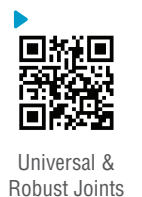
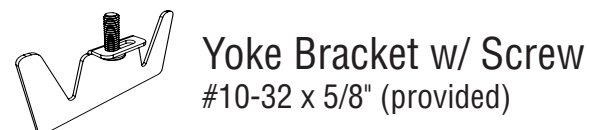


**NOTE:** Yoke screws should be installed directly across from each other, not diagonally, and in holes furthest from the joint line. One yoke screw per one yoke bracket.

### B. Make Electrical Connections



- Connect plug-together wiring.

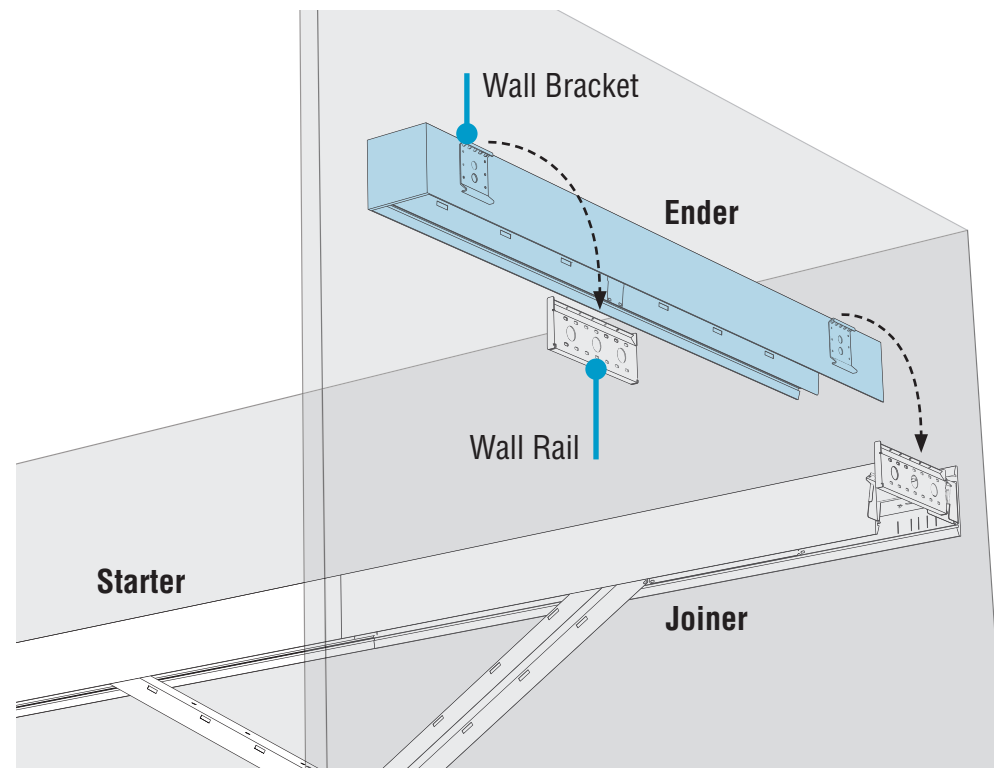




# HP-2 / HP-4 Wall Mount Indirect/Direct with Mitered Corners Installation Instructions

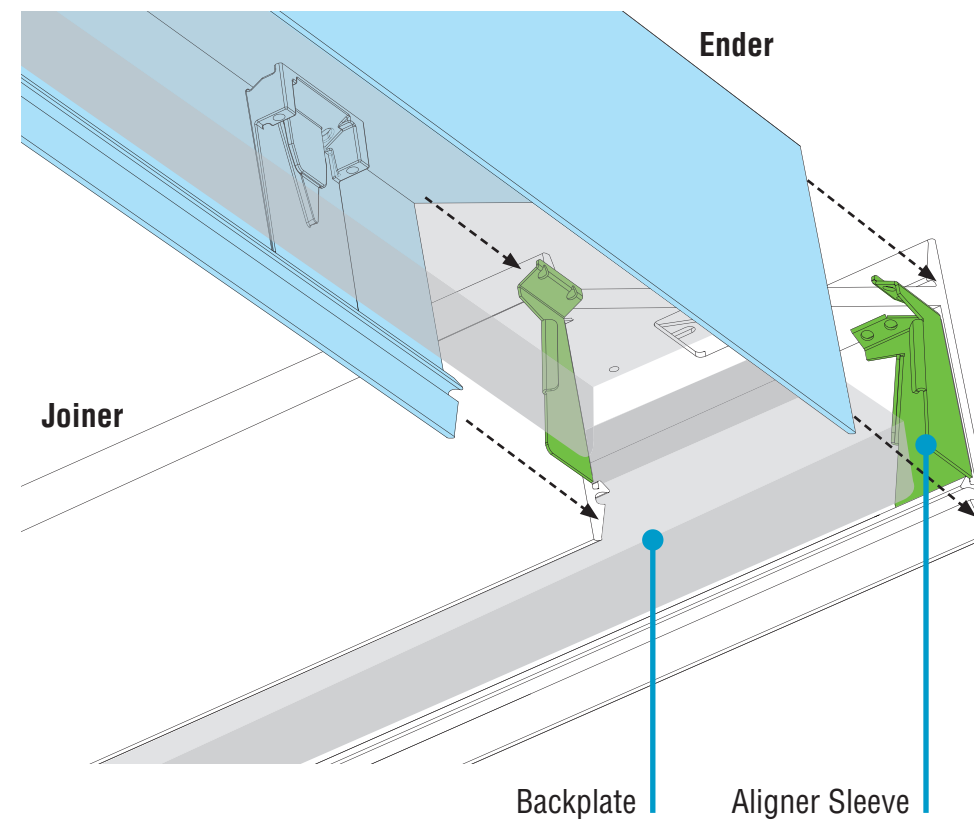
## Step 7 - Joining Mitered Corners

### A. Mount Ender to Structure



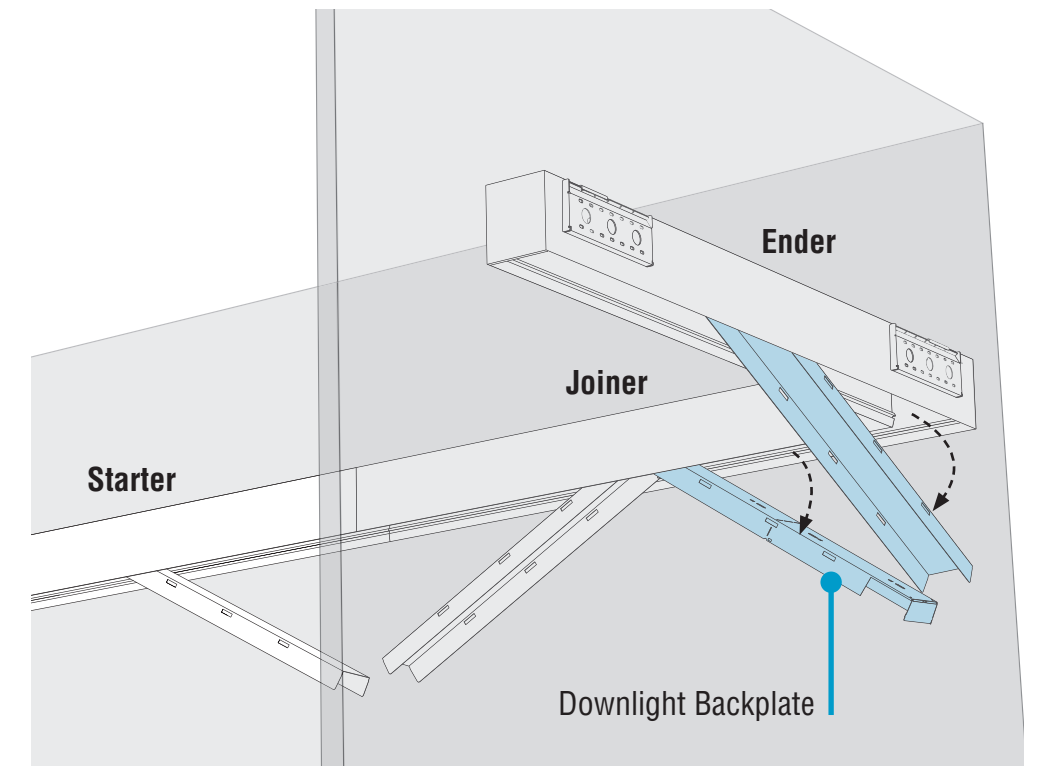
- Position ender luminaire in place so that the top and bottom hooks of the wall bracket engage with the top and bottom hooks of the wall rail.

### B. Join Mitered Corners



- Align ender with aligner sleeves on joiner and slide together. Be careful not to damage any wiring.
- If necessary, **lift** both luminaires, then slide together.

### C. Open Downlight Backplates

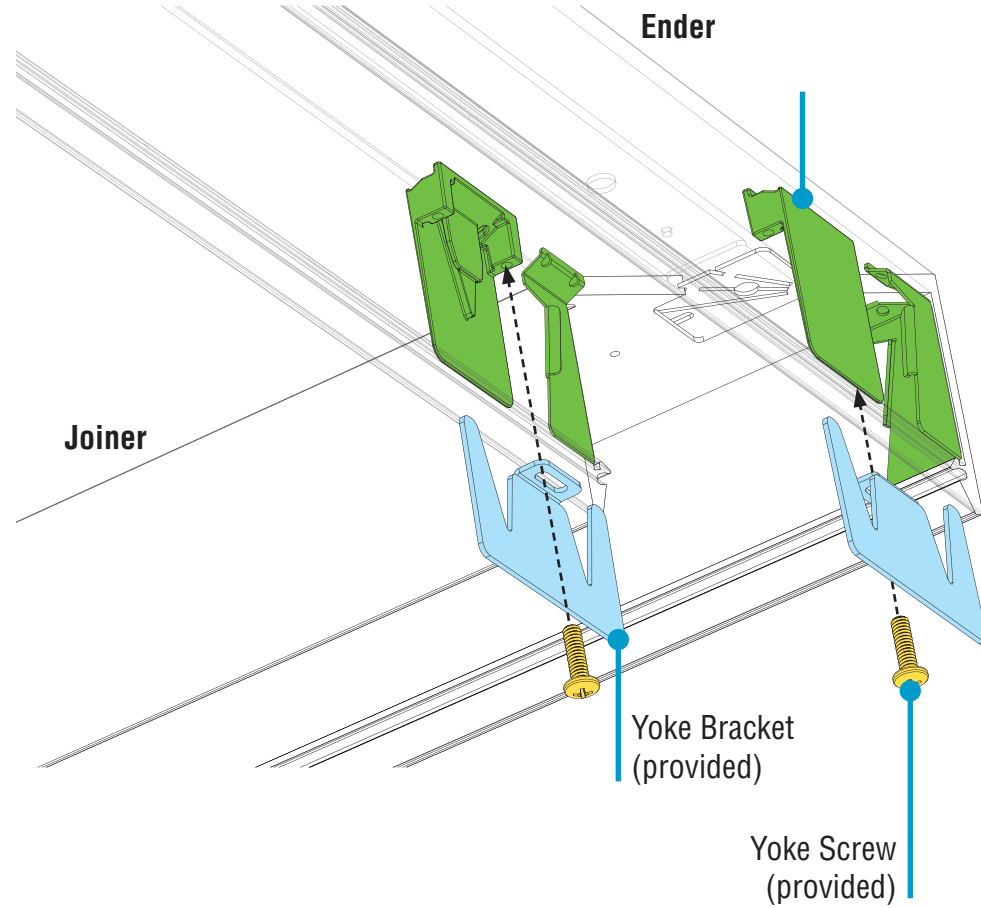


- Carefully rotate downlight backplates out **at the joints only** and let them hang from luminaire bodies.

# HP-2 / HP-4 Wall Mount Indirect/Direct with Mitered Corners Installation Instructions

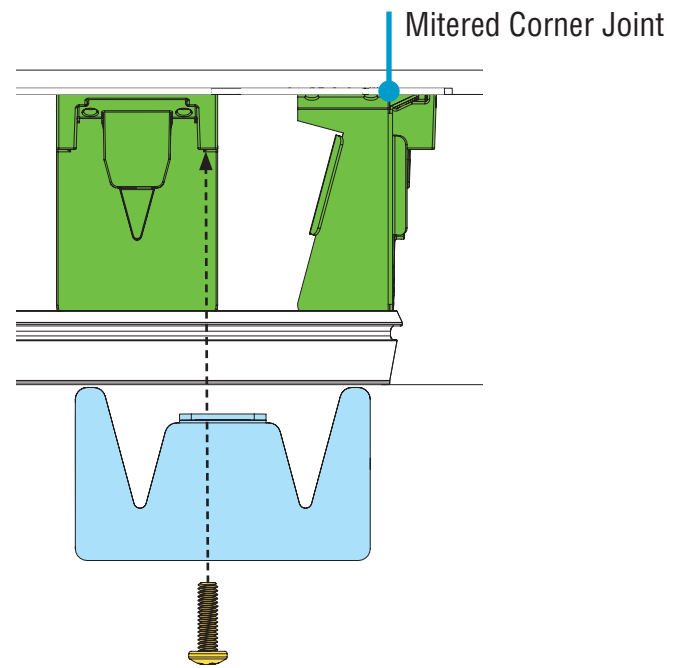
## Step 8 - Securing Corner Joints

### A. Secure Joint with Yoke Brackets

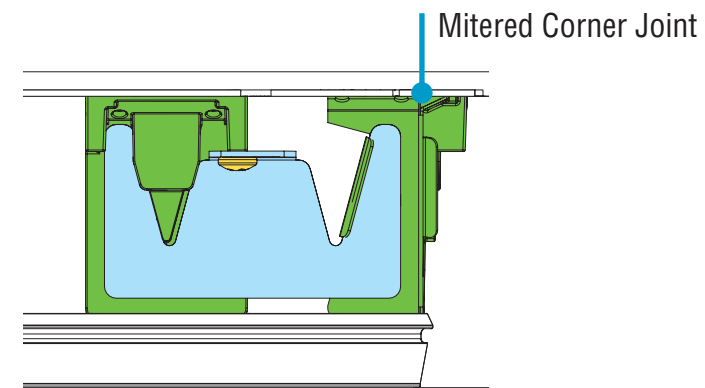


- Before installing yoke brackets, ensure the joining ends of luminaires meet flush and square.
- **CRITICAL:** Ensure yoke brackets properly engage with aligner sleeves.
- Secure joint by threading (but not yet tightening) yoke screws through yoke brackets and into the aligner sleeves.

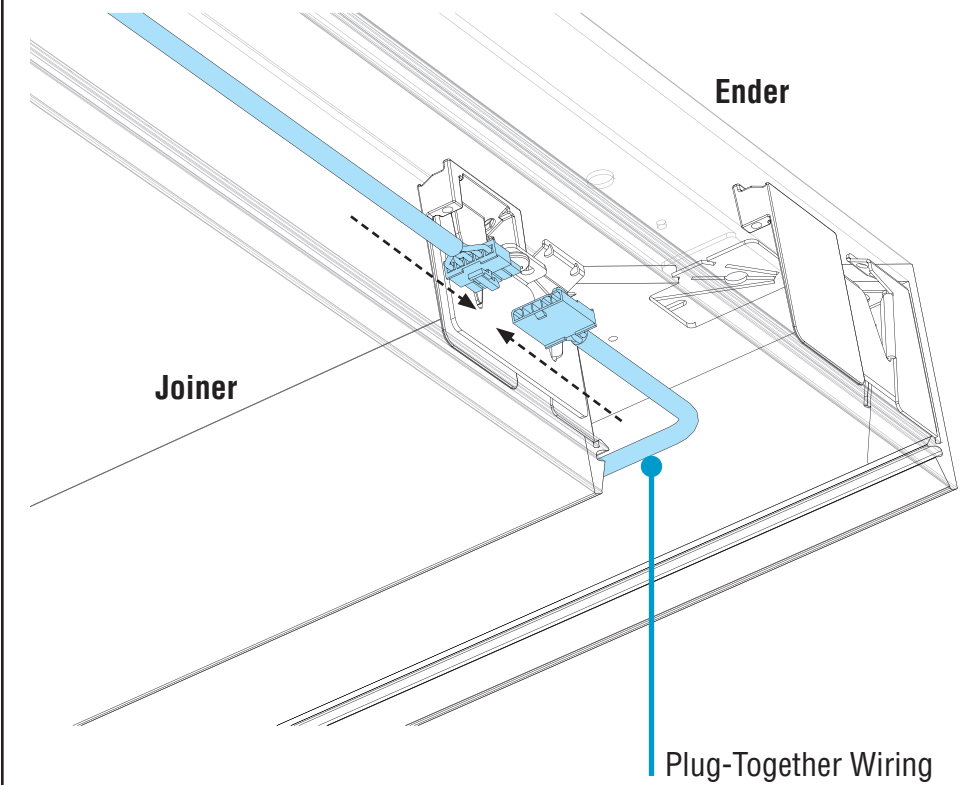
### IN ALIGNMENT



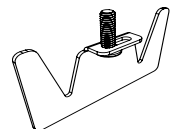
### CORRECTLY INSTALLED



### B. Make Electrical Connections



- Connect plug-together wiring.

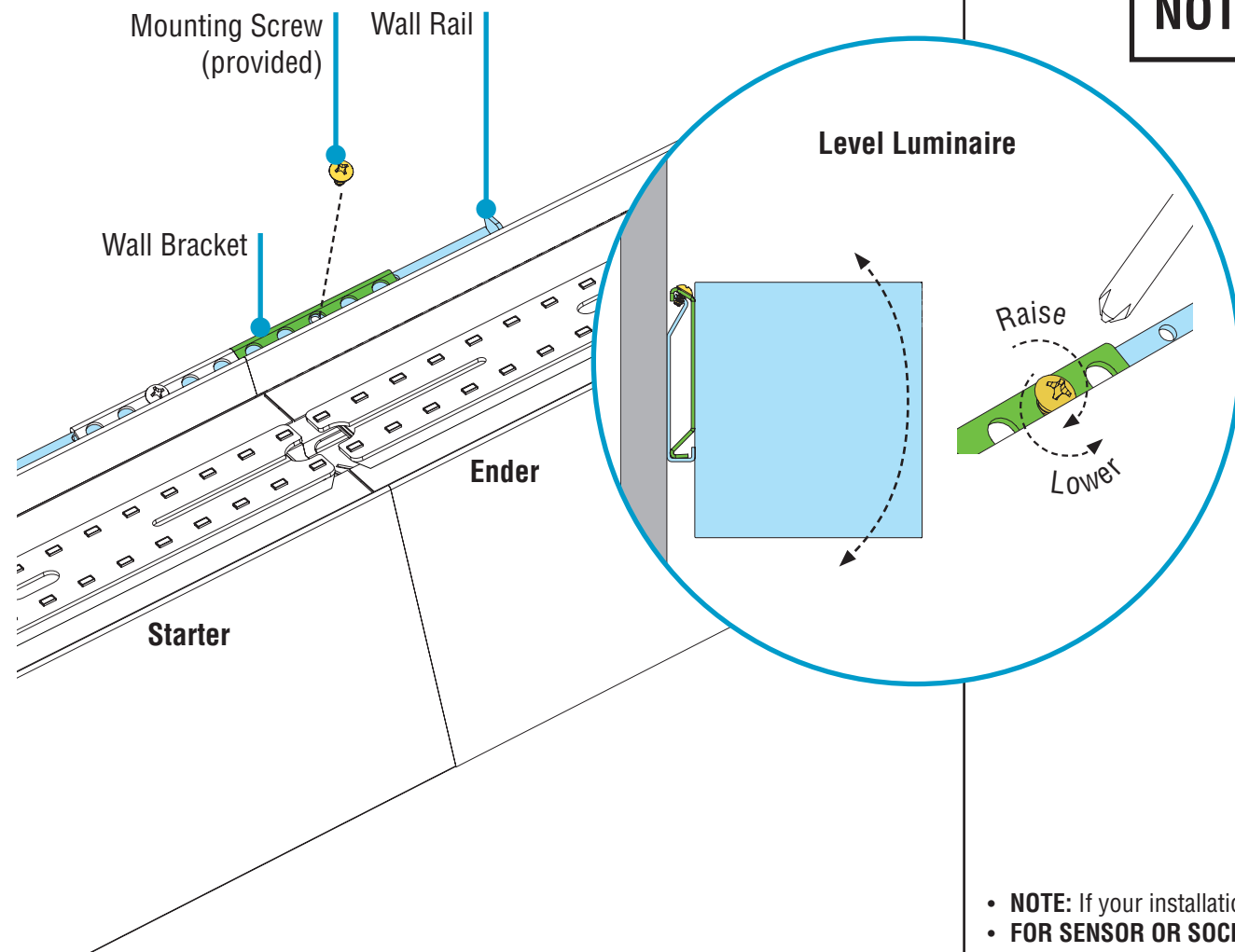


Yoke Bracket w/ Screw  
#10-32 x 5/8" (provided)

# HP-2 / HP-4 Wall Mount Indirect/Direct with Mitered Corners Installation Instructions

## Step 9 - Closing Luminaires

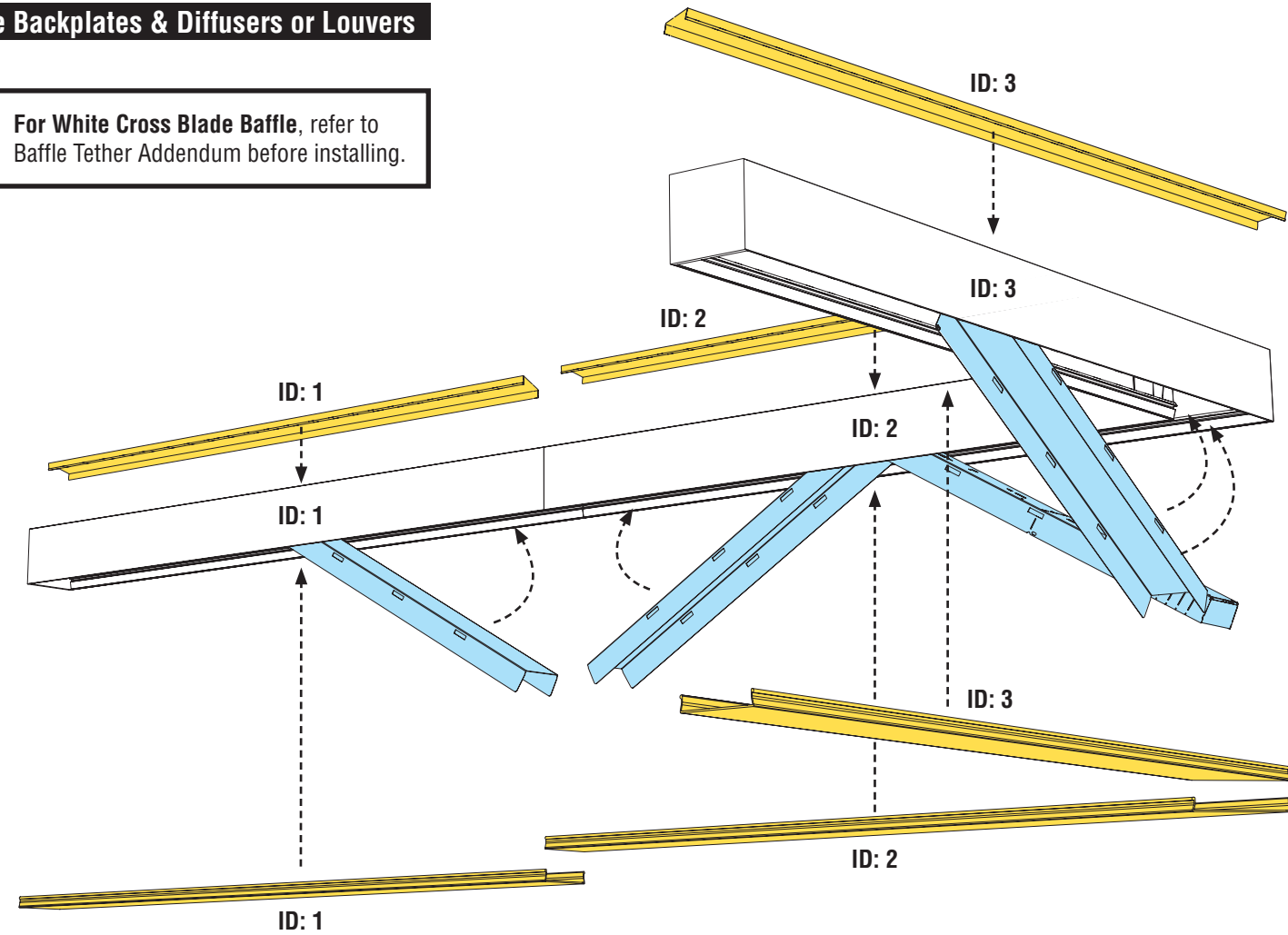
### A. Secure & Level Luminaires




- Secure ender luminaire to wall rail with a mounting screw.
- Use mounting screws to level all luminaire sections. Tightening the screw raises and loosening the screw lowers the front edge of the luminaire.
- Tighten yoke screws<sup>1</sup> until joint seam of luminaires is closed.

### B. Final Step - Replace Backplates & Diffusers or Louvers

**NOTE:** For White Cross Blade Baffle, refer to Baffle Tether Addendum before installing.



- **NOTE:** If your installation includes a battery backup, please see addendum (98333) that should be included with your kitting package.
- **FOR SENSOR OR SOCKET:** If luminaire contains a sensor or socket at joint, refer to page 5 of appropriate Addendum before Closing Luminaires.
- Reinstall any open backplates by rotating into luminaire body and snapping back into clips.
- Remove diffusers or louvers from protective plastic bags.
- **CAUTION:** Wear gloves to keep diffuser or louver surface clean.
- **CRITICAL:** Be sure to install correct diffuser or louver to its corresponding luminaire ID.
- **NOTE:** For White Cross Blade Baffle, refer to Baffle Tether Addendum before installing.
- Install diffuser or louver into luminaire body, ensuring it snaps into place.
- Turn power on to luminaires.

 **Mounting Screw**  
#8-18 x 1/4" (provided)

<sup>1</sup> Screwdriver with 6" bit required.



Socket Removal  
& Installation