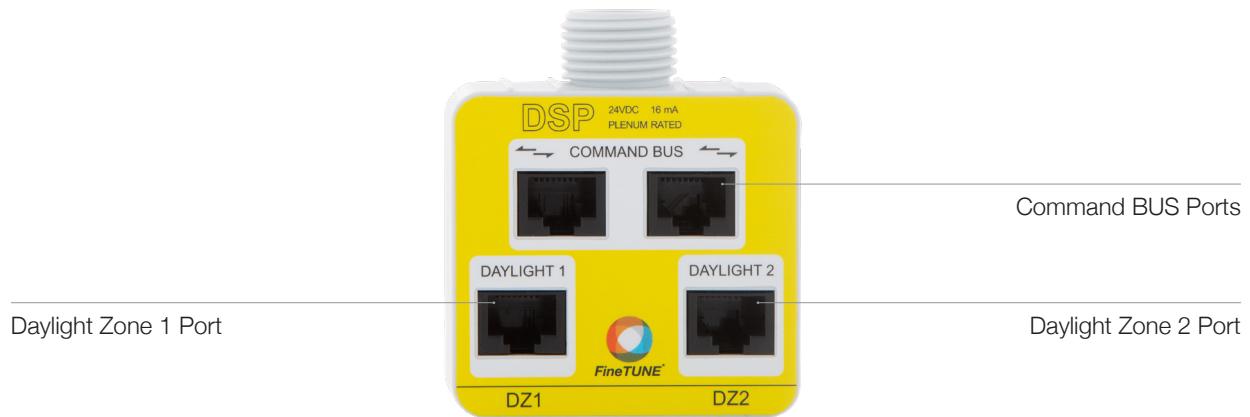


Daylight Controllers



Product Information

A Daylight Sensor Pack is implemented when a space is required to utilize available daylight to reduce the light level either by code or by user preference. This device can connect to two 0-10V daylight sensors for two separate daylight zones. These daylight zones correspond to daylight zone outputs on each Layer Pack sharing the same BUS.

Control Specifications

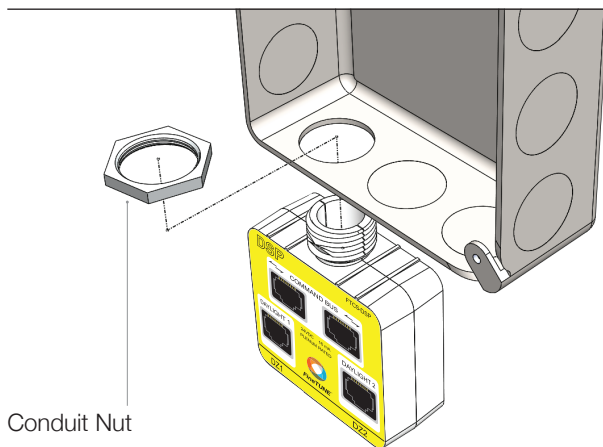
DSP Power: 24V @16mA — Must connect to at least one Layer Pack to provide power the device

UL 2043 - Plenum Rated — Connects into BUS using standard CAT5

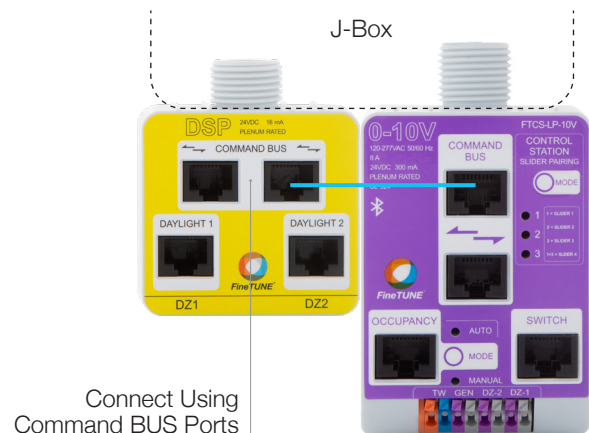
Dimensions: H 2.25" x W 2.45" x D 1.0" — Only one Daylight Sensor Pack is needed per space

5-Year Warranty

Mounting



Place the Daylight Sensor Pack through a 3/4" knockout and securely fasten conduit nut.

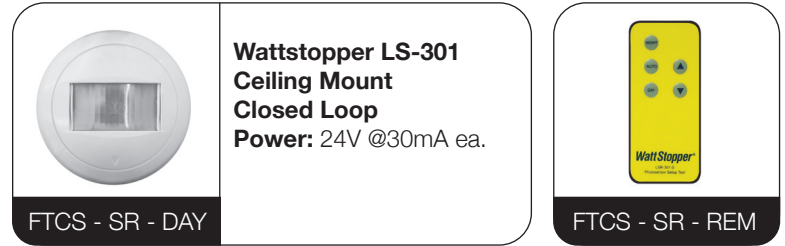


Connect the Daylight Sensor Pack to a Layer Pack using CAT5 to provide power and allow for Daylight Sensor data to pass through to all connected devices.

Daylight Sensors

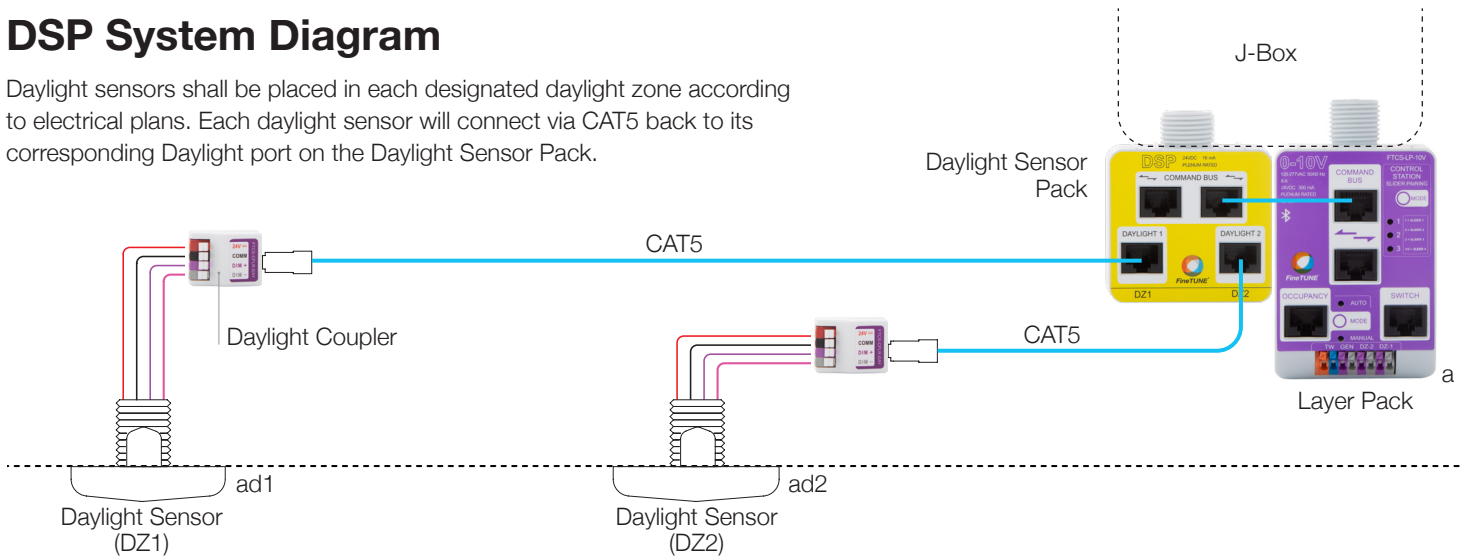
Finelite provides Wattstopper LS-301 closed loop daylight sensors.

Power: 30mA @24VDC
Protocol: 0-10VDC
Full Range Dimming
UL and cUL Listed
5-Year Warranty



DSP System Diagram

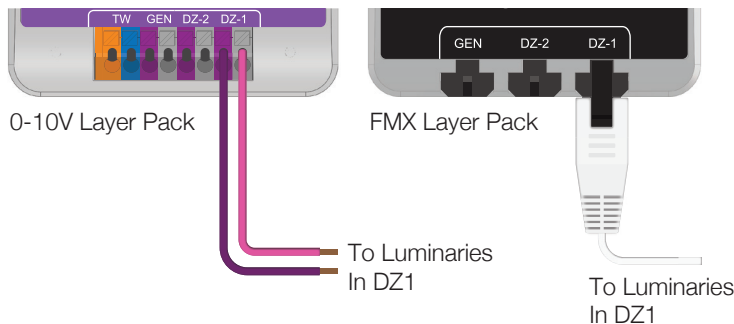
Daylight sensors shall be placed in each designated daylight zone according to electrical plans. Each daylight sensor will connect via CAT5 back to its corresponding Daylight port on the Daylight Sensor Pack.



DSP System Diagram

Daylight 1 Port - DZ1 (Daylight Zone 1)

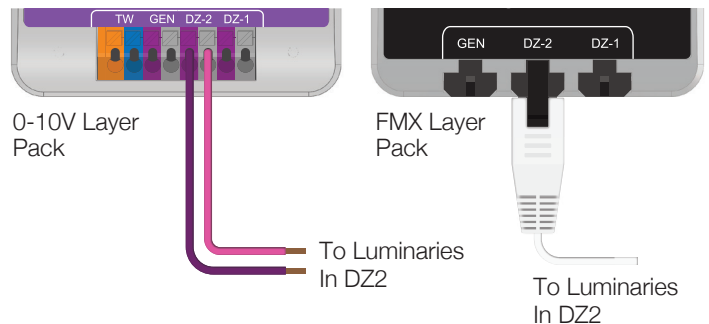
- Use this port to connect a Daylight Sensor meant for dimming luminaries connected to the DZ1 output of the Layer Pack(s).
- The Daylight Sensor Pack will communicate the daylight information to all of the Layer Packs sharing the same BUS.



- Daisy chain connections to all luminaries falling within Daylight Zone 1. All luminaries connected will dim according to the amount of daylight the Daylight Sensor connected to DZ1 is measuring.

Daylight 2 Port - DZ2 (Daylight Zone 2)

- Use this port to connect a Daylight Sensor meant for dimming luminaries connected to the DZ2 output of the Layer Pack(s).
- The Daylight Sensor Pack will communicate the daylight information to all of the Layer Packs sharing the same BUS.





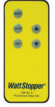

- Daisy chain connections to all luminaries falling within Daylight Zone 2. All luminaries connected will dim according to the amount of daylight the Daylight Sensor connected to DZ2 is measuring.

Configuration Examples

Connect the Daylight Sensor Pack anywhere along the Command BUS.



Ordering Information

Component	Ordering Code	Description
	FTCS - DSP	Daylight Sensor Pack — Low Voltage / UL 2043 Power: 24V @16mA
	FTCS-SR-DAY	Wattstopper LS-301 — Ceiling Mount / Closed Loop Power: 24V @30mA • FTCS-CPLR-DAY comes attached Download Legrand LS-301 Tech Sheet
	FTCS-SR-REM	Wattstopper LSR-301-S Remote control setup tool for Wattstopper LS-301 Download Legrand LSR-301-S Tech Sheet
	FTCS-CPLR-DAY	FineTune TCS — Daylight Sensor Coupler

Note: Daylight Coupler (CPLR-DAY) can connect 0-10V sensors by others to FineTune® TCS.