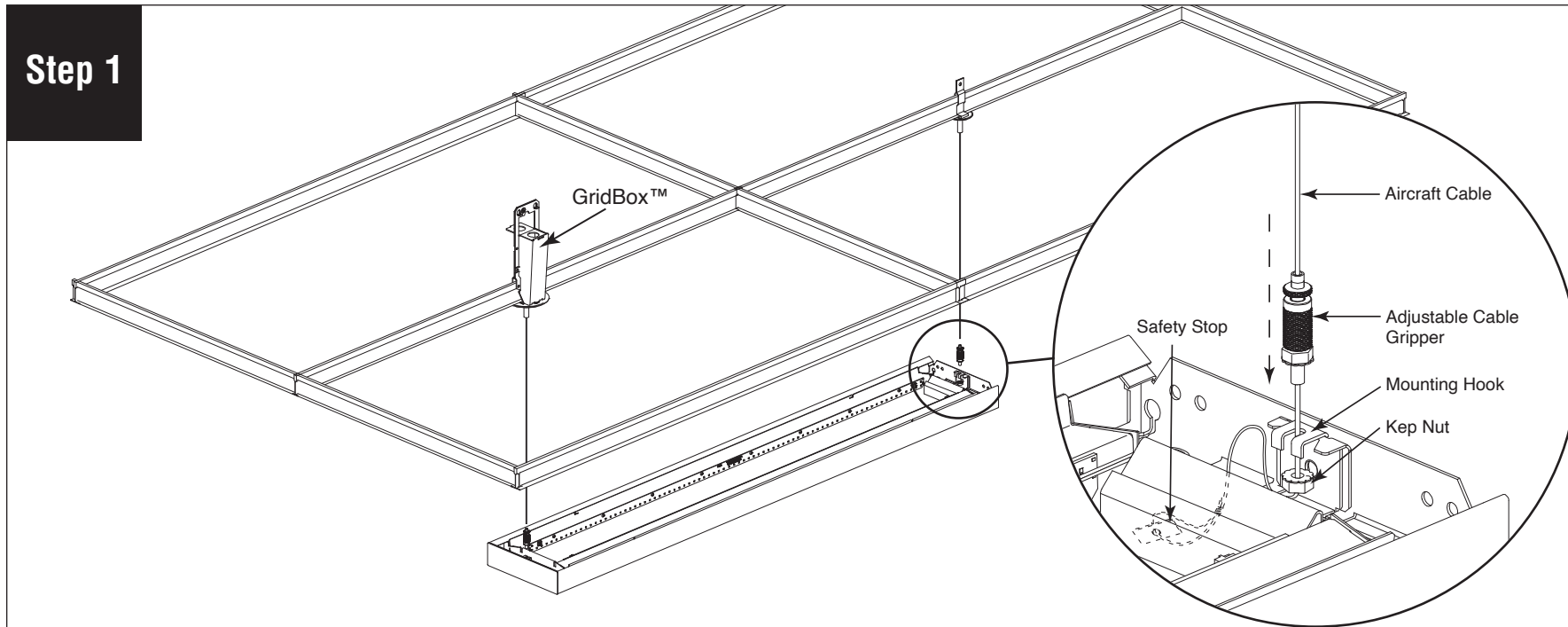
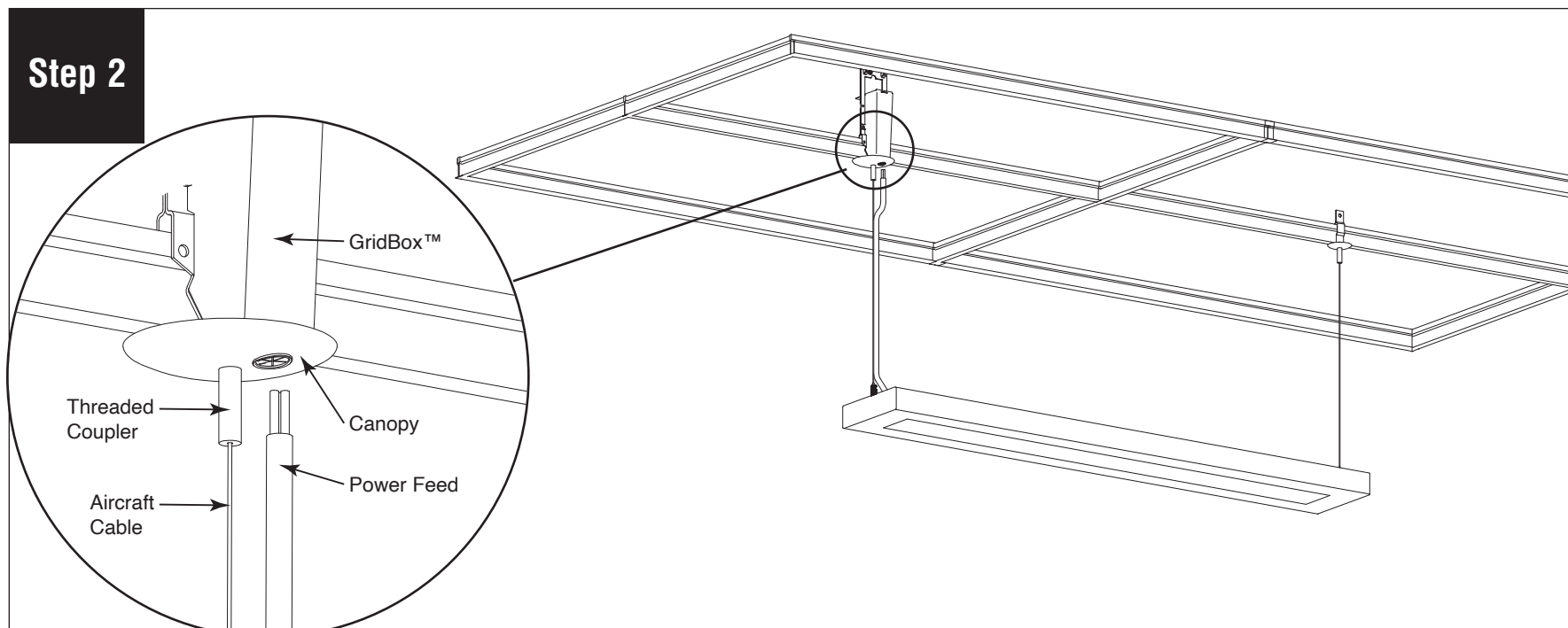


S16 LED 2E Fully Adjustable Cable Starter/Independent Installation Instructions

FINELITE®
Better Lighting



Install cable grippers onto mounting hooks then insert aircraft cables into grippers (see fully adjustable cable gripper assembly for details). Slide safety stop and safety crimp up to the aircraft cable within 6" of cable gripper and secure inside luminaire body.



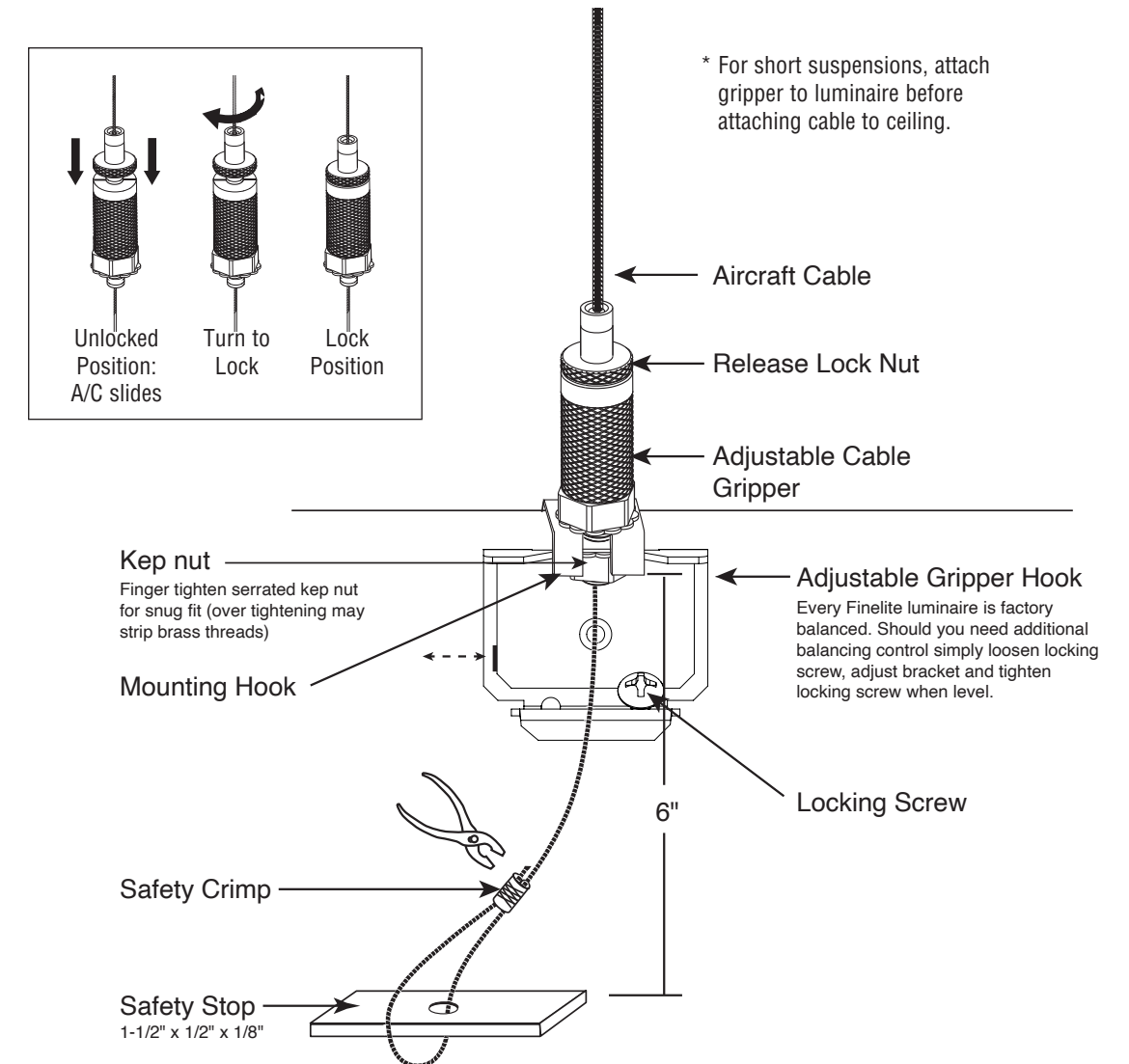
Insert power feed through canopy into GridBox (follow GridBox installation instruction for wiring - Form# 98000). Level luminaire and turn power on to luminaire.

Note: All power connections to be installed to local/national codes by a Certified Electrician.

A brand of **legrand**

Finelite, Inc. • 30500 Whipple Road • Union City, CA 94587-1530 • (510) 441-1100 • www.finelite.com

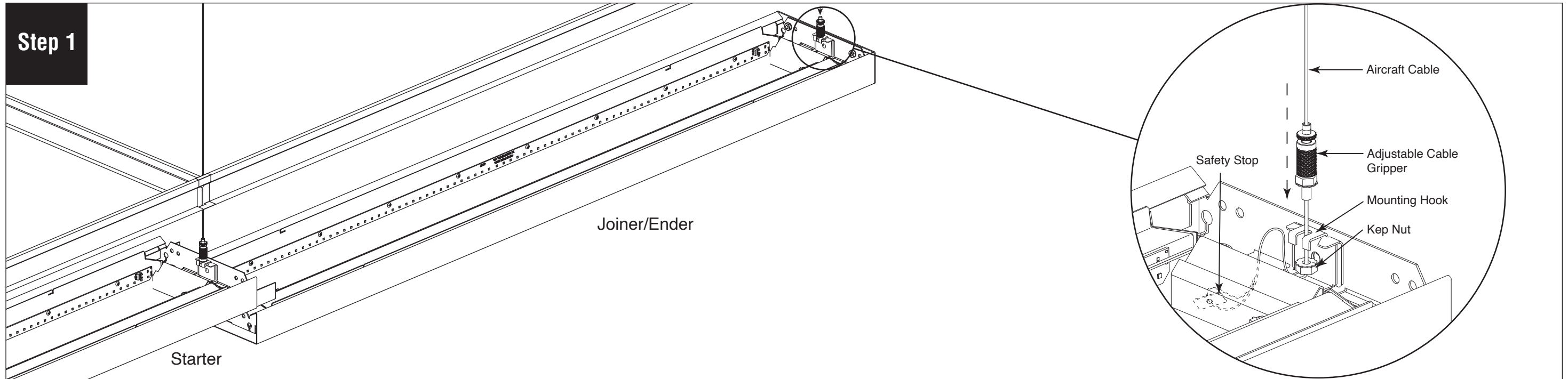
Fully Adjustable Cable Gripper Assembly



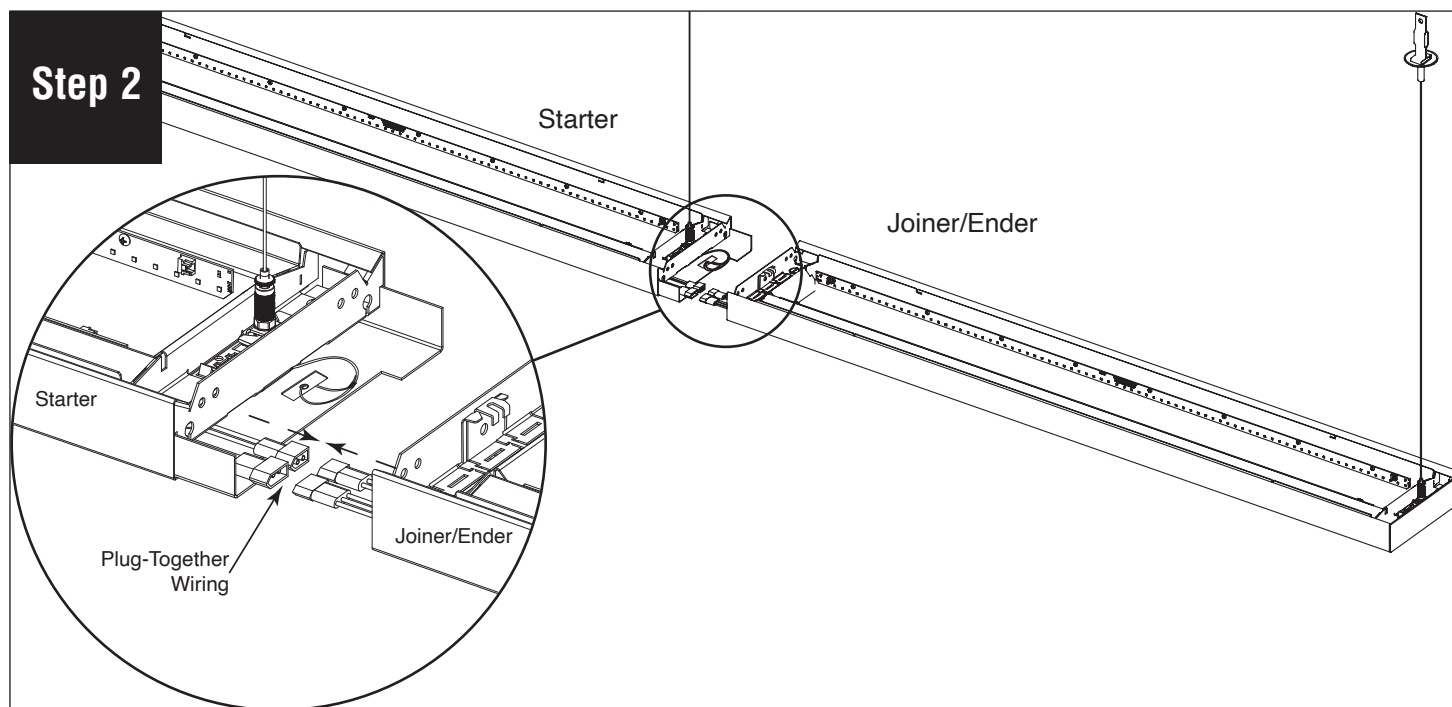
1. Position the serrated kee nut of the adjustable cable gripper assembly under the mounting hooks, rotate up to sit securely on top of hook.
2. Finger tighten kee nut until secure. (Avoid over-tightening.)
3. Depress the release lock nut to adjust the aircraft cable to the correct length to level the luminaire. Screw down release lock nut. Pull excess aircraft cable away from luminaire.
4. Pull all but 9" of cable up through safety stop and safety crimp.
5. Secure safety crimp with crimping tool. Trim off excess cable.
6. Push safety stop, safety crimp and remaining 6" of cable down into luminaire body.

S16 LED 2E Fully Adjustable Cable Joiner/Ender

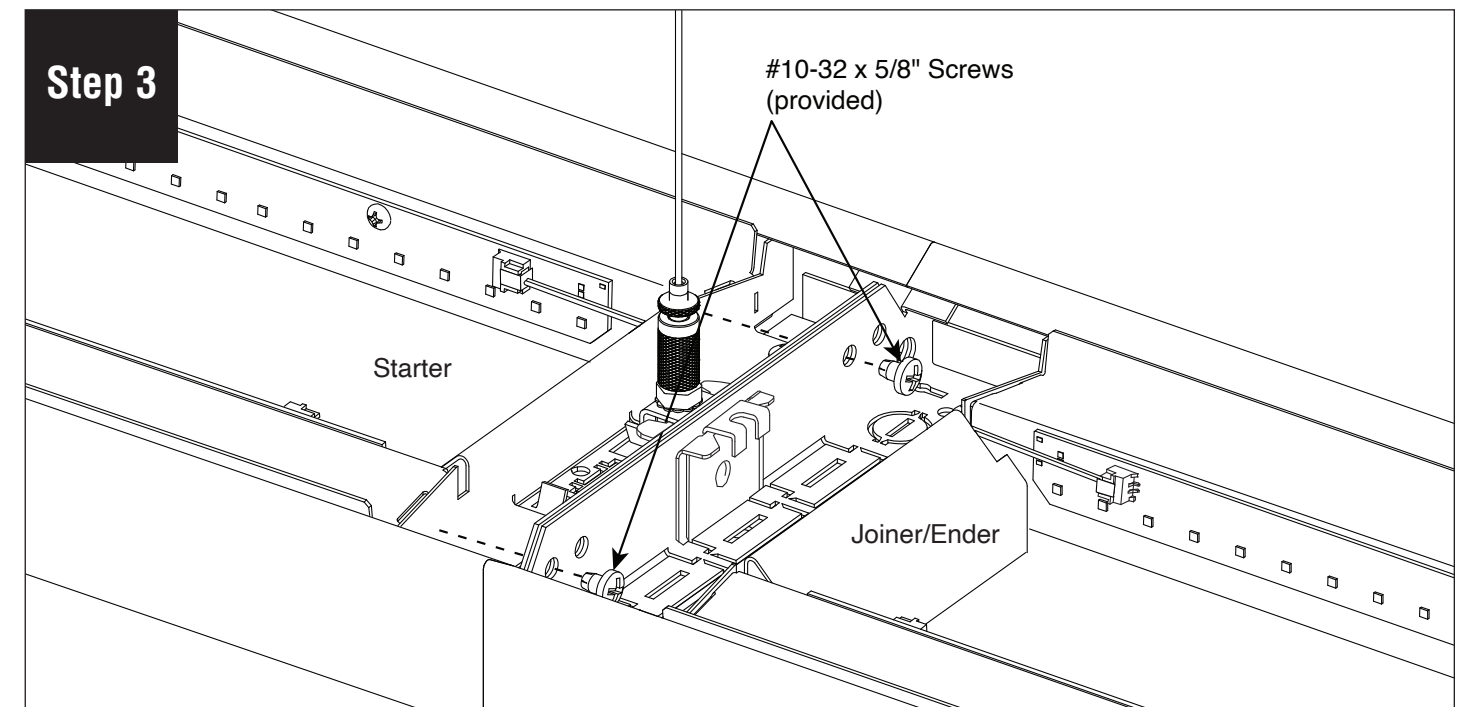
Installation Instructions



Install cable grippers onto mounting hooks then insert aircraft cables into grippers. Slide safety stop and safety crimp up to the aircraft cable within 6" of cable gripper and secure inside luminaire body.



Connect plug together wiring, then slide the luminaires together. Be careful not to damage wiring.



Secure joint with #10-32 x 5/8" screws (provided). Level luminaire then turn power on.

Note: All power connections to be installed to local/national codes by a Certified Electrician.

A brand of **legrand**

Finelite, Inc. • 30500 Whipple Road • Union City, CA 94587-1530 • (510) 441-1100 • www.finelite.com