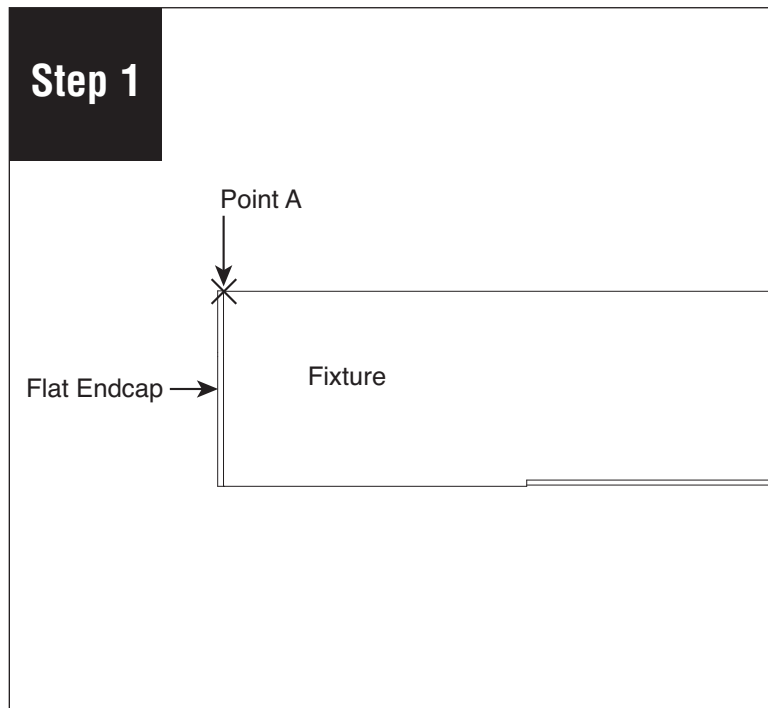
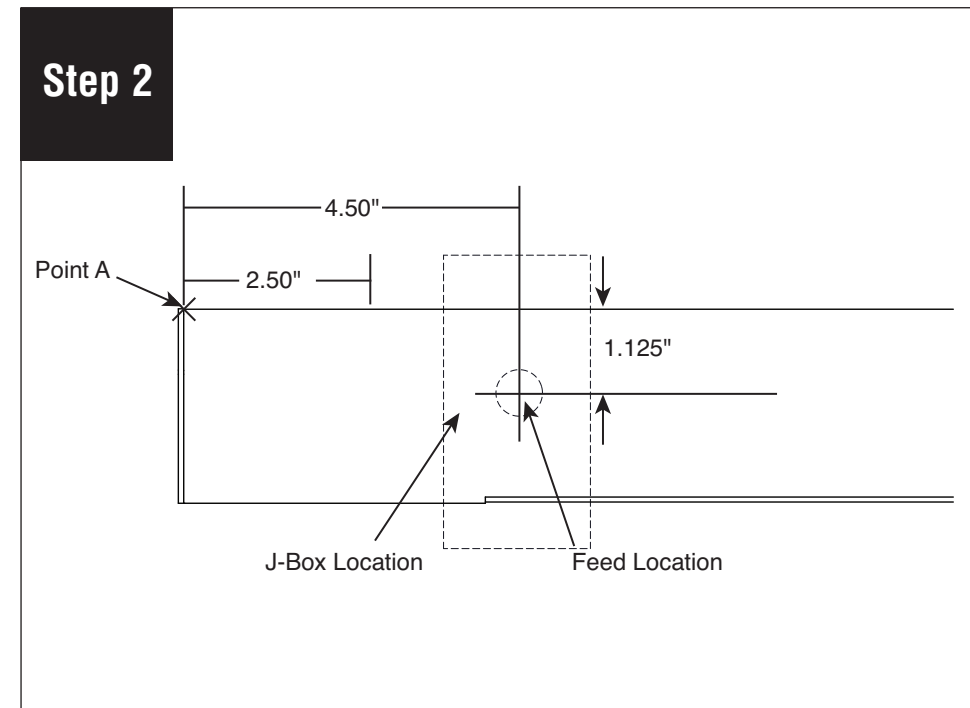


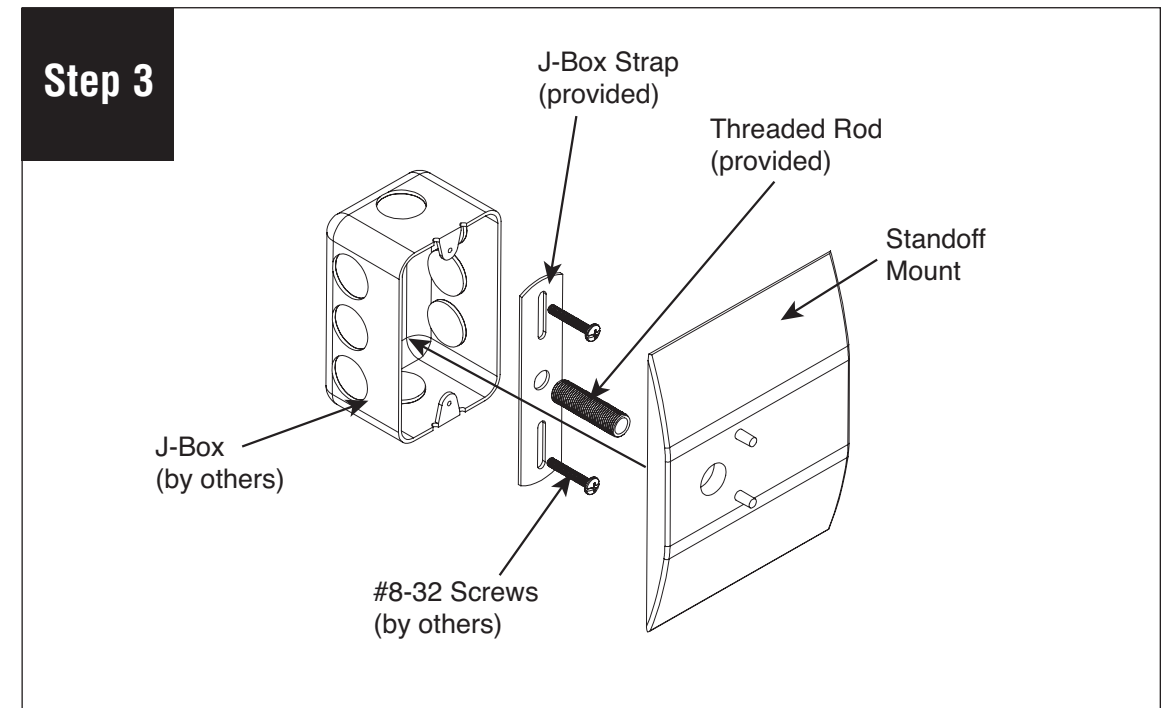
S12 LED Wall Mount StandOff Mount (SM) Installation Instructions



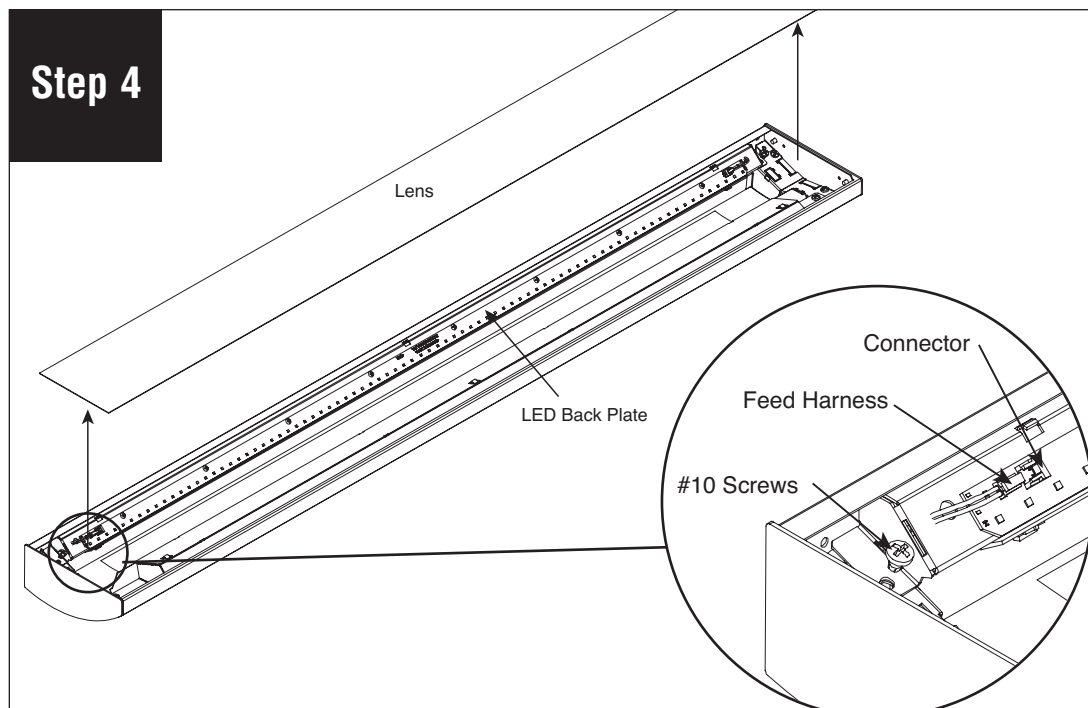
Position fixture on wall in desired location. Mark on wall the point where the end cap and the fixture body meet. Both ends of the fixture need to be marked on wall. This is Point A.



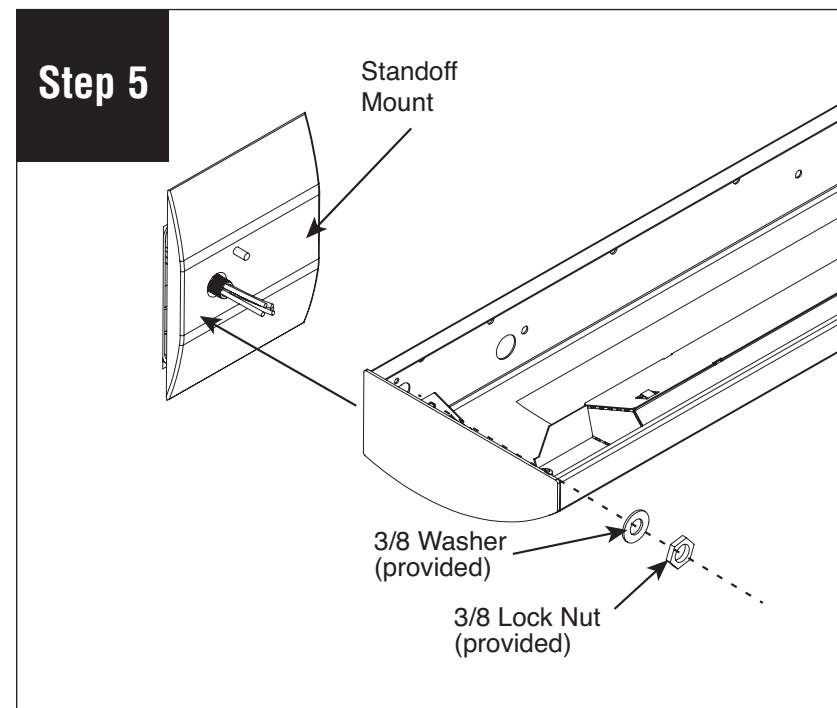
Determine feed location by measuring a horizontal line 4.5" from point A toward center of fixture, then 1.125" downward. Mark this spot for the feed. Centering J-box and install over feed location. Leave 8-10" of power wire exposed.



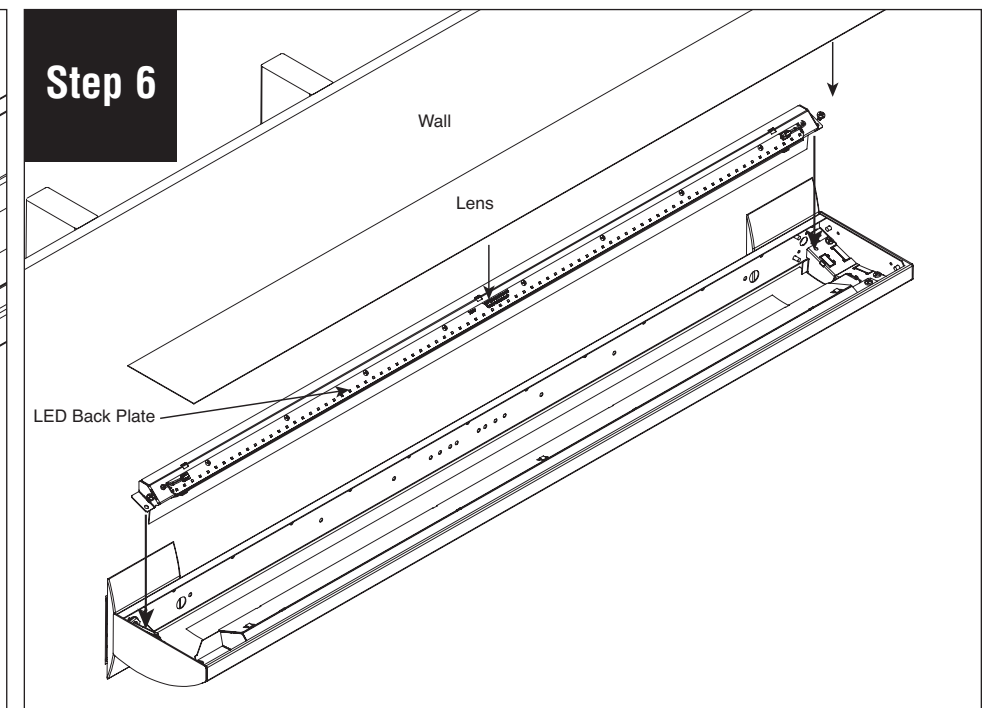
Install mount J-Box strap (provided) on to J-Box (by others) with two #8-32 screws (by others). Screw in threaded rod (provided) and insert standoff mount through threaded rod.



Remove lens from fixture and set aside to prevent it from getting dirty or damaged. Disconnect feed harness from connector. Remove #10 screws at both ends of LED back plate and remove LED back plate and set aside.



Make sure fixture is level. Mount opposite (non-power side) standoff mount securely to wall. Thread feed wires through fixture and install 3/8" washer and 3/8" lock nut (provided) on each mounting location of fixture body.



Make splices, connect electrical and replace LED back plate. Join fixtures as needed. The fixture is supported every 48", regardless of fixture length. Last mounting is 1.125" in from fixture end of fixture bod. Reinstall lens. Turn power on to fixture.