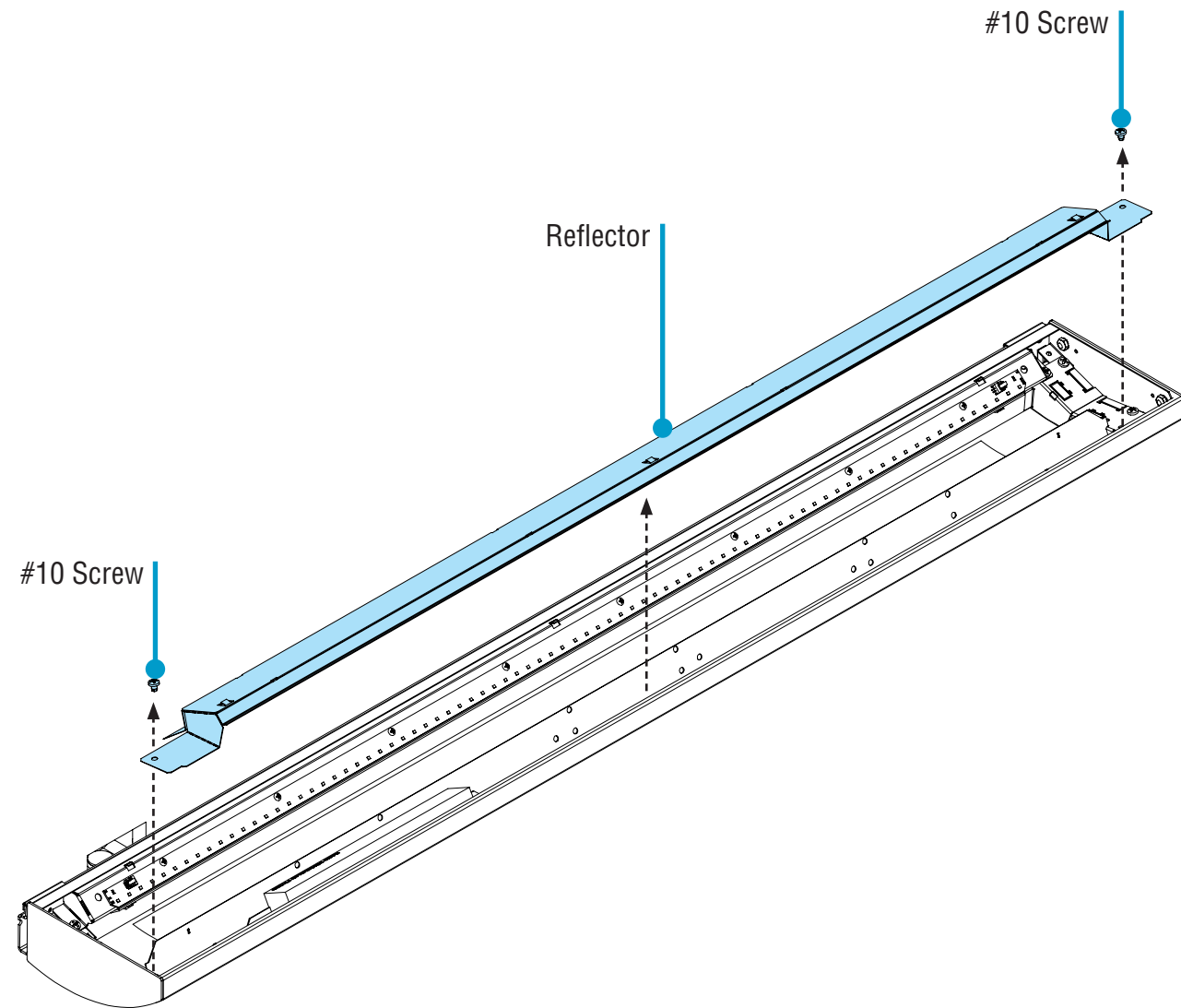


Series 12 Wall Mount 2E LED Driver Replacement Installation Instruction

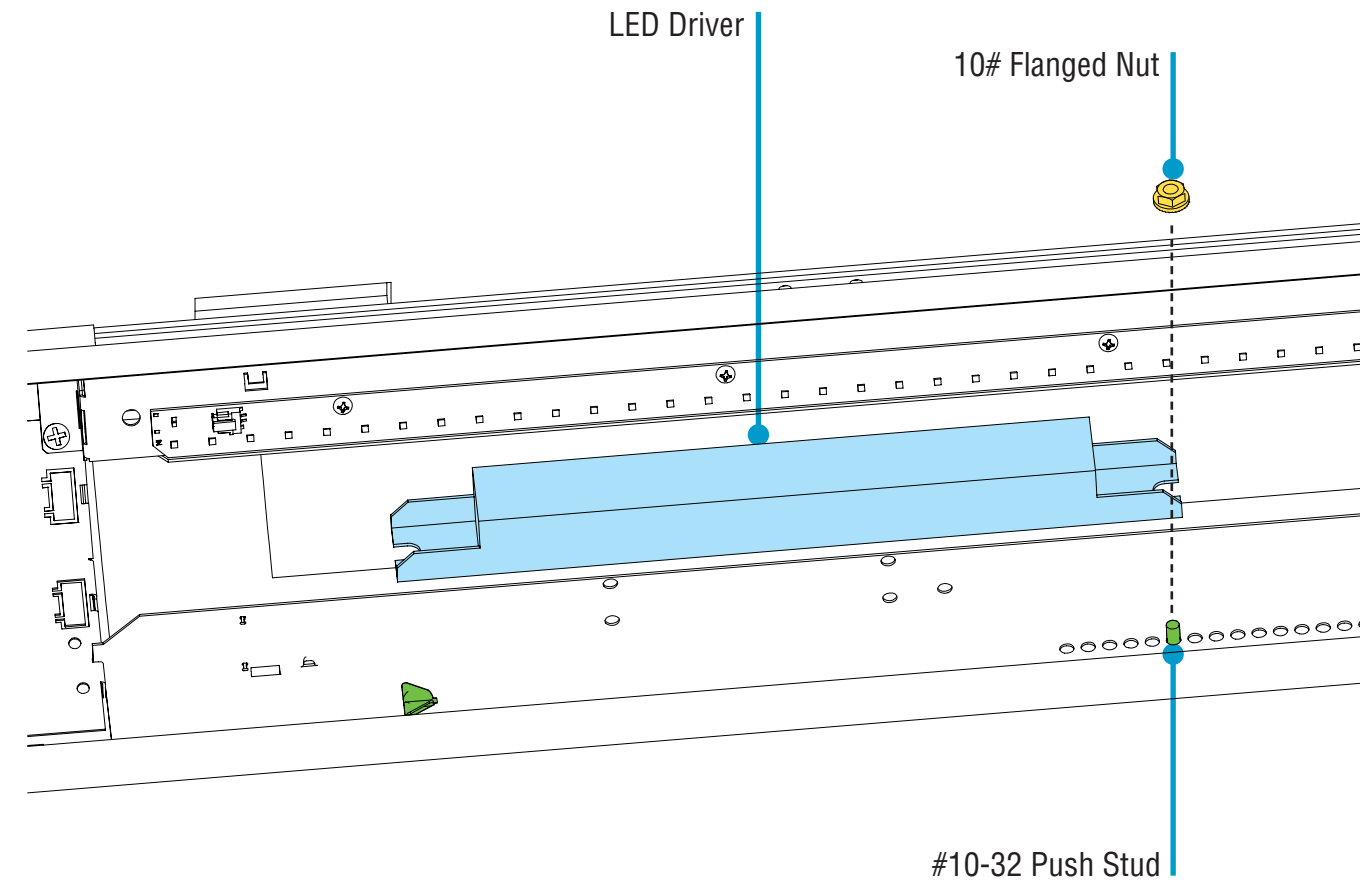
NOTES | • All power connections should be installed according to local/national codes by a Certified Electrician.

A. Remove Reflector



• Remove #10 screws from both ends of the reflector. Remove reflectors to access LED driver(s). Disconnect all feed harnesses.

B. Replace New LED Driver



• Remove #10 flanged nut that secures the LED driver(s) and replace with new driver(s). Reverse steps to reassemble luminaire.