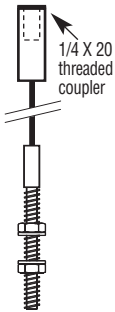
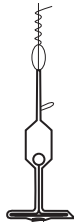


Mounting and Feed Guide

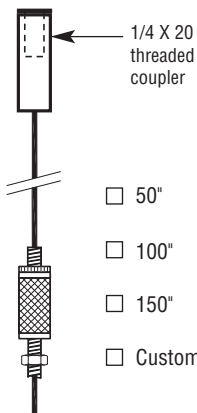


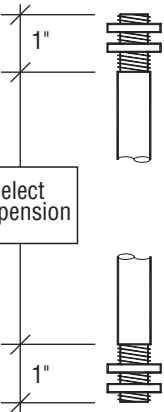


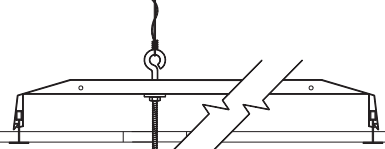





Series 1 - Series 18

FINELITE
Better Lighting

Customer: _____ Job: _____ PO: _____

FINELITE STANDARD*	SUSPENSION TYPE	MOUNTING HARDWARE	POWER FEED									
	<input type="checkbox"/> SEMI-ADJUSTABLE AIRCRAFT CABLE  <p>1/4 X 20 threaded coupler</p> <p>SUSPENSION length from ceiling to top of fixture</p> <table border="0"> <tr> <td><input type="checkbox"/> 9"*</td> <td><input type="checkbox"/> 24"-25"</td> </tr> <tr> <td><input type="checkbox"/> 12"-13"</td> <td><input type="checkbox"/> 27"-28"</td> </tr> <tr> <td><input type="checkbox"/> 15"-16"</td> <td><input type="checkbox"/> 30"-31"</td> </tr> <tr> <td><input type="checkbox"/> 18"-19"</td> <td><input type="checkbox"/> 36"-37"</td> </tr> <tr> <td><input type="checkbox"/> 21"-22"</td> <td></td> </tr> </table> <p>*CONSULT FACTORY NOTE—Deduct 3" for S10, S12ID.</p> <p>89400</p>	<input type="checkbox"/> 9"*	<input type="checkbox"/> 24"-25"	<input type="checkbox"/> 12"-13"	<input type="checkbox"/> 27"-28"	<input type="checkbox"/> 15"-16"	<input type="checkbox"/> 30"-31"	<input type="checkbox"/> 18"-19"	<input type="checkbox"/> 36"-37"	<input type="checkbox"/> 21"-22"		<input type="checkbox"/> ON-GRID 1" T-BAR SUPPORT  <p>89300</p>
<input type="checkbox"/> 9"*	<input type="checkbox"/> 24"-25"											
<input type="checkbox"/> 12"-13"	<input type="checkbox"/> 27"-28"											
<input type="checkbox"/> 15"-16"	<input type="checkbox"/> 30"-31"											
<input type="checkbox"/> 18"-19"	<input type="checkbox"/> 36"-37"											
<input type="checkbox"/> 21"-22"												

* STANDARD AND OPTIONS ARE DIFFERENT FOR EACH PRODUCT — CONSULT PRODUCT TECHNICAL DATA SHEETS

CONSULT FACTORY FOR PRICES	<input type="checkbox"/> FULLY ADJUSTABLE  <p>1/4 X 20 threaded coupler</p> <p><input type="checkbox"/> 50" <input type="checkbox"/> 100" <input type="checkbox"/> 150" <input type="checkbox"/> Custom</p> <p>89450</p>	<input type="checkbox"/> ON-GRID 9/16" T-BAR SUPPORT  <p>89305</p>	<input type="checkbox"/> STRAIGHT SJT CORD 2 CIRCUIT  <p>96100</p>
	<input type="checkbox"/> STEM  <p>STEM SUSPENSION (Select Distance Between Threads) No Stems S6, S7. S15 stems for hard ceilings only.</p> <p><input type="checkbox"/> 9" <input type="checkbox"/> 12" <input type="checkbox"/> 15" <input type="checkbox"/> 18" <input type="checkbox"/> 21" <input type="checkbox"/> 24"</p> <p>CONSULT FACTORY</p> <p>89470</p>	<input type="checkbox"/> ON-GRID 9/16" SCREW SLOT T-BAR SUPPORT  <p>89310</p>	<input type="checkbox"/> STRAIGHT SJT CORD 3 CIRCUIT  <p>96105</p>
CONSULT FACTORY FOR PRICES	<input type="checkbox"/> CUSTOM SUSPENSION <input type="checkbox"/> NO SUSPENSION	<input type="checkbox"/> CADDY 512 HD BETWEEN T-BAR SUPPORTS  <p>89316</p>	<input type="checkbox"/> COIL CORD 1 CIRCUIT  <p>89010</p>
		<input type="checkbox"/> 9/16" SCREW SLOT WITH EXTENDED STUD FOR TEGULAR TILE  <p>89310 & 94067</p>	<input type="checkbox"/> COIL CORD 2 CIRCUIT  <p>89011</p>
<input type="checkbox"/> CUSTOM CEILING MOUNT <input type="checkbox"/> NO CEILING MOUNT	<input type="checkbox"/> CUSTOM CEILING MOUNT <input type="checkbox"/> NO CEILING MOUNT	<input type="checkbox"/> STEM FEED  <p>89015</p>	<input type="checkbox"/> CORD AND PLUG  <p>89020</p>

Hardware compatible with 4" octagonal J-Box.

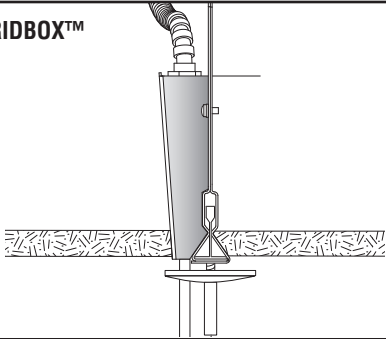
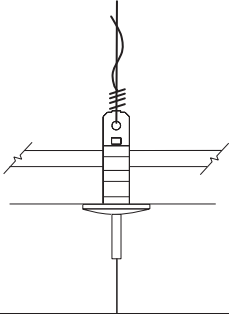
Consult Finelite Customer Service for pricing on all options.

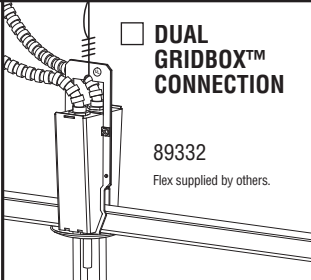
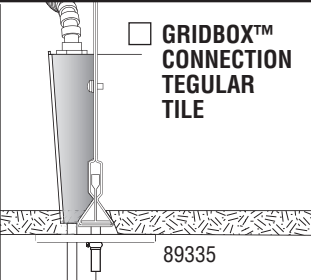
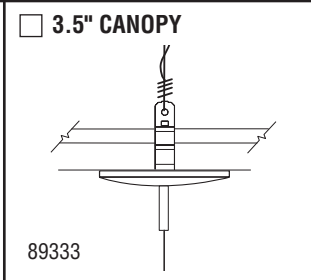
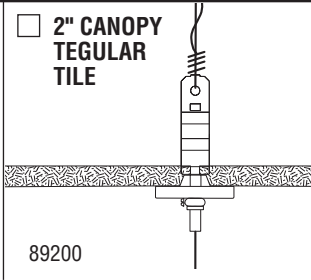
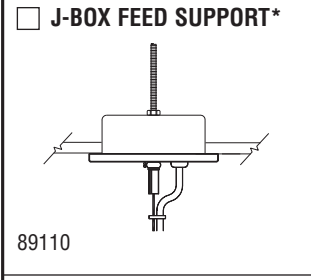
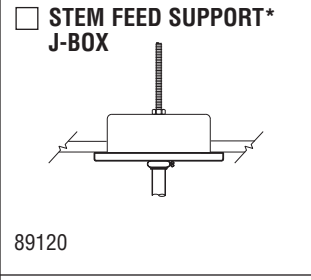
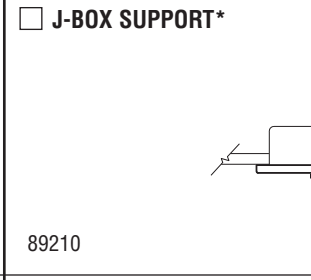
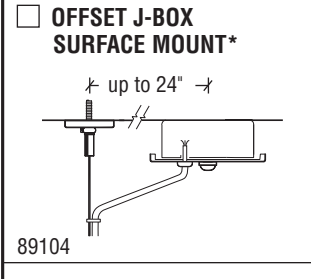
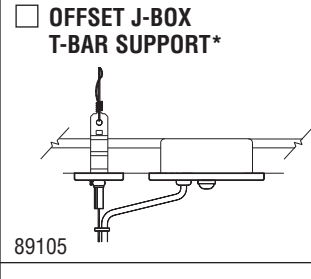
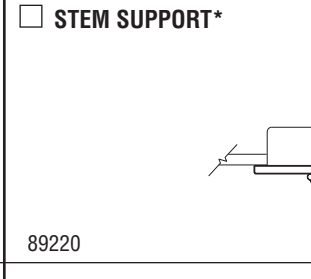
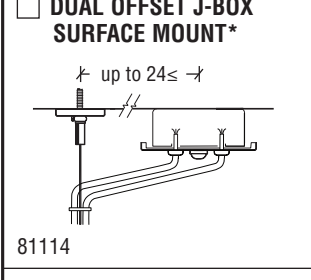
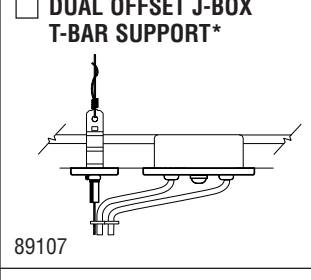
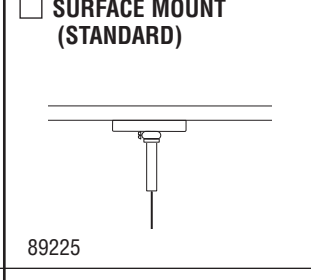
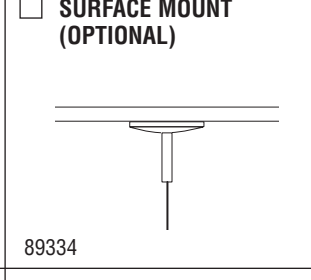
Mounting and Feed Guide

Series 1 - Series 18

Agent: _____

Customer: _____ Job: _____ PO: _____

FINELITE STANDARD	POWER CONNECTION & SUPPORT	NON-POWER SUPPORT
	<input type="checkbox"/> FINELITE GRIDBOX™ Flex supplied by others.  89330	<input type="checkbox"/> 2" CANOPY  89331

CONSULT FACTORY FOR PRICES	<input type="checkbox"/> DUAL GRIDBOX™ CONNECTION 89332 Flex supplied by others. 	<input type="checkbox"/> GRIDBOX™ CONNECTION TEGULAR TILE 89335 	<input type="checkbox"/> 3.5" CANOPY 89333 	<input type="checkbox"/> 2" CANOPY TEGULAR TILE 89200 	
	<input type="checkbox"/> J-BOX FEED SUPPORT* 89110 	<input type="checkbox"/> STEM FEED SUPPORT* J-BOX 89120 	<input type="checkbox"/> J-BOX SUPPORT* 89210 		
CONSULT FACTORY FOR PRICES	<input type="checkbox"/> OFFSET J-BOX SURFACE MOUNT* ← up to 24" → 89104 	<input type="checkbox"/> OFFSET J-BOX T-BAR SUPPORT* 89105 	<input type="checkbox"/> STEM SUPPORT* 89220 		
	<input type="checkbox"/> DUAL OFFSET J-BOX SURFACE MOUNT* ← up to 24" ≤ → 81114 	<input type="checkbox"/> DUAL OFFSET J-BOX T-BAR SUPPORT* 89107 	<input type="checkbox"/> SURFACE MOUNT (STANDARD) 89225 	<input type="checkbox"/> SURFACE MOUNT (OPTIONAL) 89334 	
<input type="checkbox"/> CUSTOM POWER CONNECTION	<input type="checkbox"/> NO POWER CONNECTION	<input type="checkbox"/> CUSTOM NON-POWER CONNECTION	<input type="checkbox"/> NO CONNECTION		

Hardware compatible with 4" octagonal J-Box.

Consult Finelite Customer Service for pricing on all options.

* Supplied with 5" Canopy.

Mounting and Feed Guide

Series 1 - Series 18

Agent: _____

Customer: _____ Job: _____ PO: _____

		STANDARD POWER CONNECTION & SUPPORT	OPTIONS	
S1, 2, 3, 9WM	<input type="checkbox"/>	WALL MOUNT BRACKETS AND SJT CORD—SURFACE MOUNT WITH 5" CANOPY	NO OPTIONS FOR S1, 2, 3, 9 WALL MOUNT	
S5WM	<input type="checkbox"/>	S5WM MOUNTING BRACKET AND J-BOX COVER	<input type="checkbox"/>	SJT CORD—SURFACE MOUNT WITH 5" CANOPY
			81107	
S10WM	<input type="checkbox"/>	S10WM STANDARD SURFACE MOUNT	<input type="checkbox"/>	S10WM OPTIONAL MOUNTING BRACKET WITH J-BOX COVER
				<input type="checkbox"/> S10 SURFACE MOUNT AND 5" CANOPY
S12WM	<input type="checkbox"/>	S12WM STANDARD SURFACE MOUNT	<input type="checkbox"/>	S12WM OPTIONAL STANDOFF MOUNT
				<input type="checkbox"/> S12WM OPTIONAL MOUNTING BRACKET
S14WM	<input type="checkbox"/>	S14WM STANDARD MOUNT WITH CLEAT, A/C, J-BOX COVER	<input type="checkbox"/>	S14WM OPTIONAL MOUNT HIDDEN BRACKET
S15WM	<input type="checkbox"/>	S15WM STANDARD SURFACE MOUNT	<input type="checkbox"/>	S15WM OPTIONAL SURFACE MOUNT WITH J-BOX COVER
S16WM	<input type="checkbox"/>	S16WM STANDARD MOUNT HIDDEN BRACKET		
S18WM	<input type="checkbox"/>	S18WM STANDARD SURFACE MOUNT	<input type="checkbox"/>	S18WM OPTIONAL SURFACE MOUNT BRACKET

Hardware compatible with 4" octagonal J-Box.

Consult Finelite Customer Service for pricing on all options.

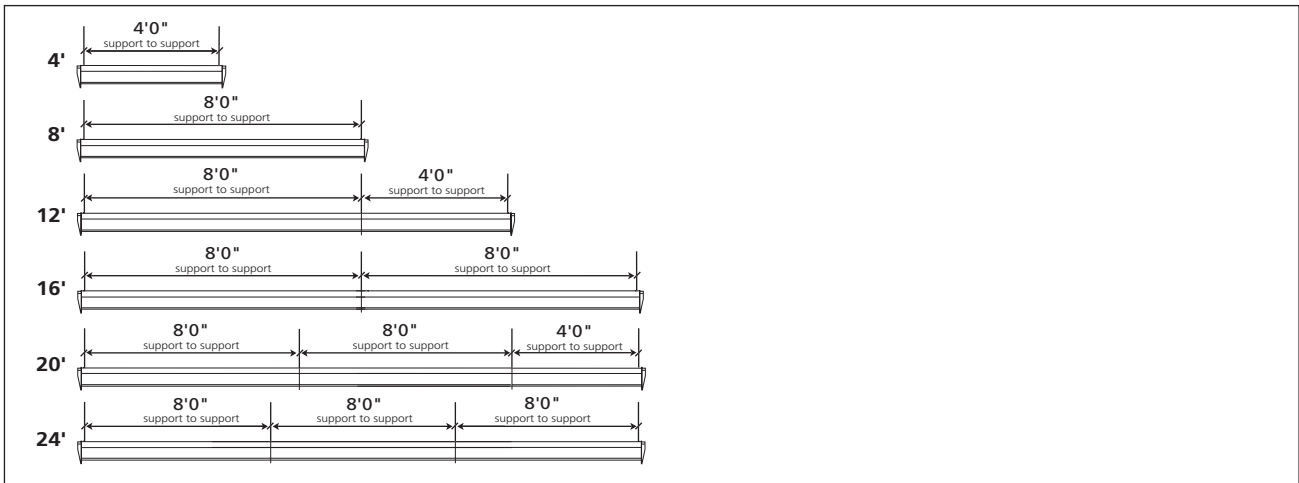
Mounting and Feed Guide

Series 1 - Series 18

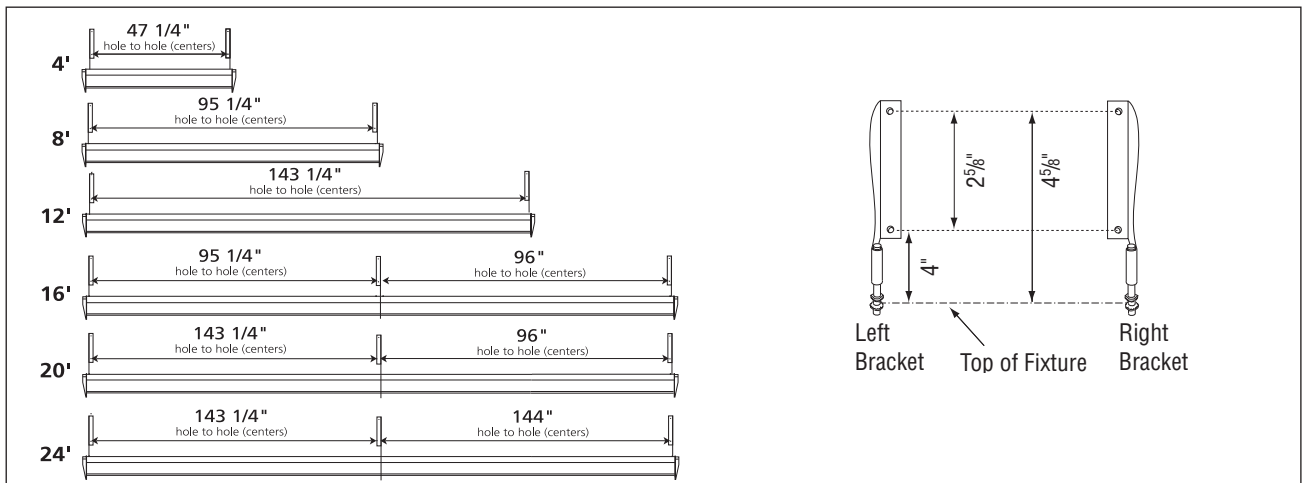
Agent: _____

Customer: _____ Job: _____ PO: _____

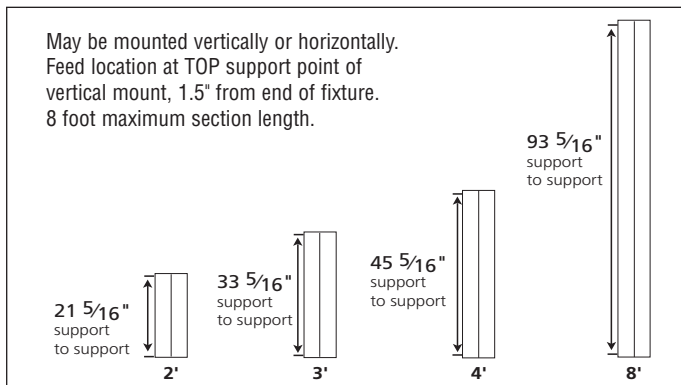
Lengths Wall Mounts Series 5, 10, 14, 12ID, 12P



Wall Mount Support Locations Series 1, 2, 3, 9



Wall Mount Support Locations Series 15



Consult Finelite Customer Service for pricing on all options.

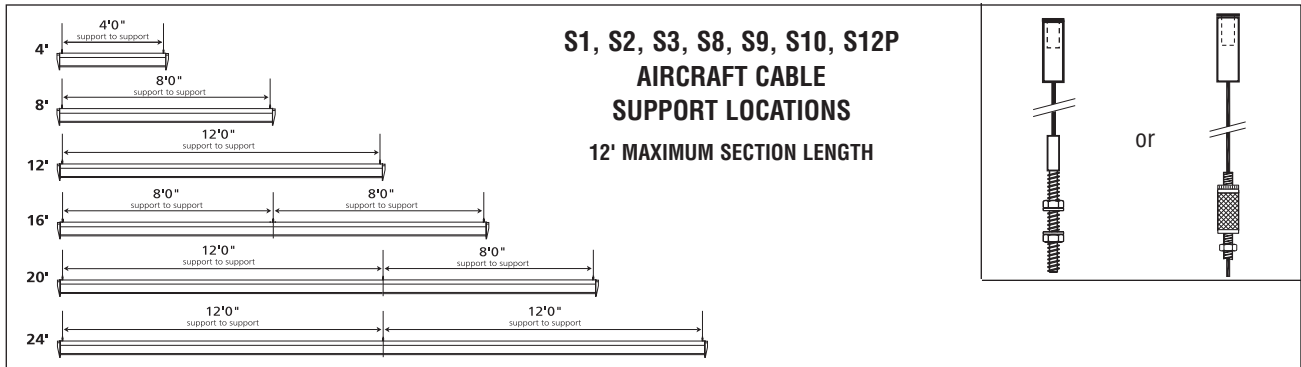
Mounting and Feed Guide

Series 1 - Series 18

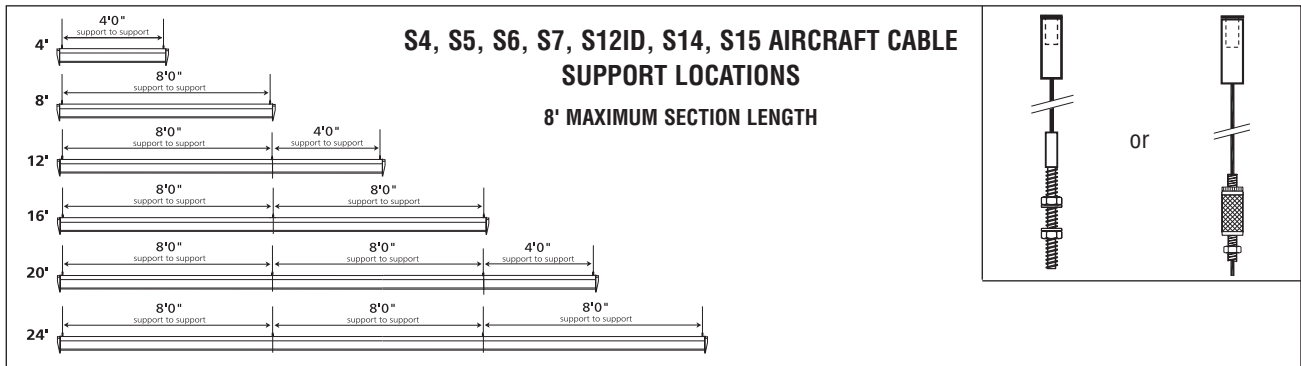
Agent: _____

Customer: _____ Job: _____ PO: _____

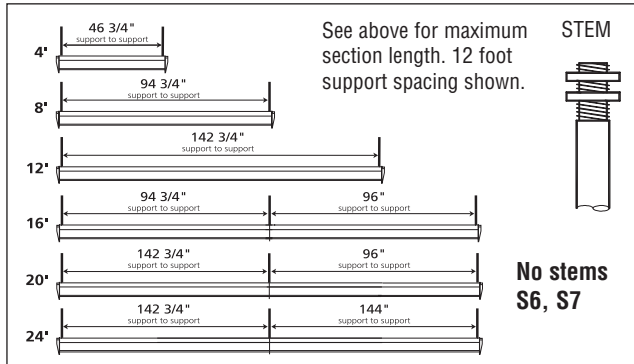
Standard Fixture Lengths & Support Locations Series 1, 2, 3, 8, 9, 10, 12P



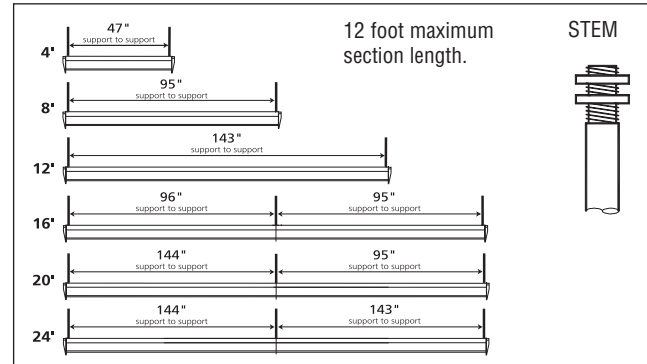
Standard Fixture Lengths & Support Locations Series 4, 5, 6, 7, 12ID, 14, 15



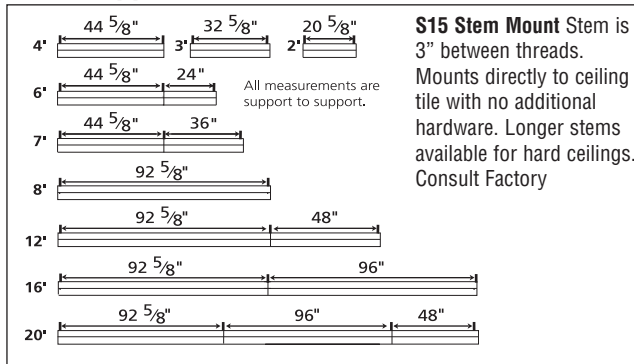
Stem Support Locations (except S10, S15)



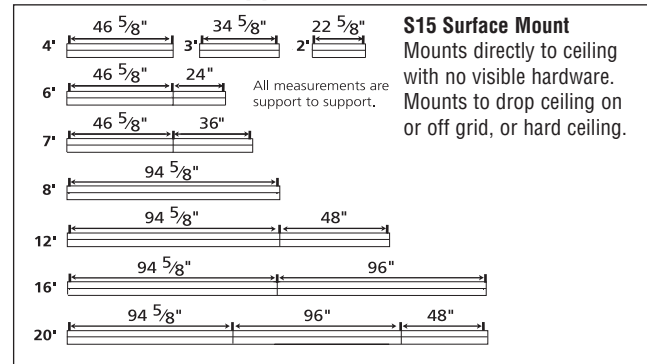
Stem Support Locations S10



Stem Support Locations S15



Surface Mount Support Locations S15



© 2014 FINELITE, INC. ALL RIGHTS RESERVED. Form CGD1016-10/14

Consult Finelite Customer Service for pricing on all options.

Finelite, Inc. • 30500 Whipple Road • Union City, CA 94587-1530 • 510 / 441-1100 • FAX: 510 / 441-1510 • www.finelite.com