

HP-4 Recessed Spackle Flange Curved Installation Instructions

Overview

NOTES

- All power connections should be installed according to local/national codes by a Certified Electrician.
- This installation requires **proper support** as each luminaire is being installed.
- **DO NOT attempt to join luminaires together on the floor.** Damage may result when lifted.



HELPFUL
VIDEOS



Effortless
Access



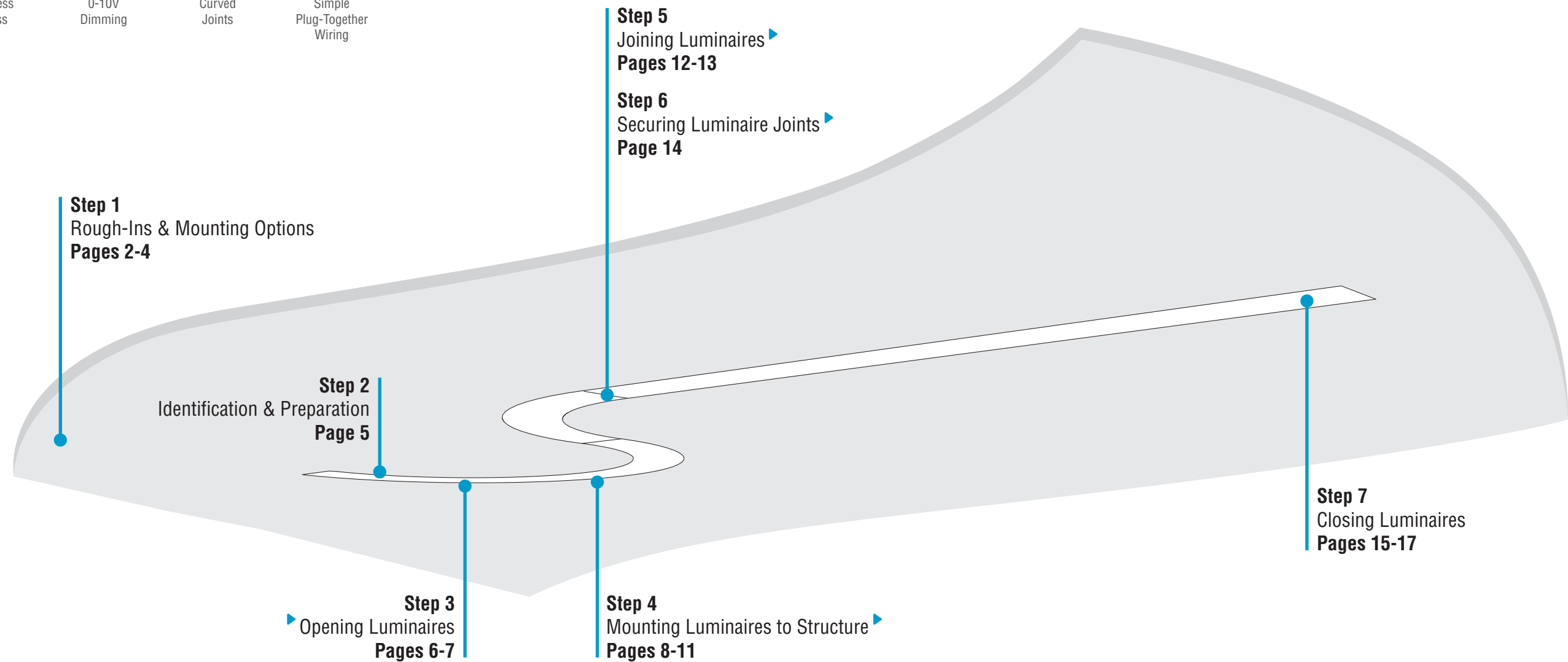
0-10V
Dimming



Curved
Joints



Simple
Plug-Together
Wiring



HP-4 Recessed Spackle Flange Curved Installation Instructions

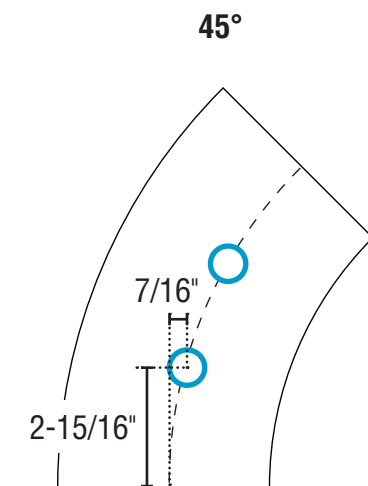
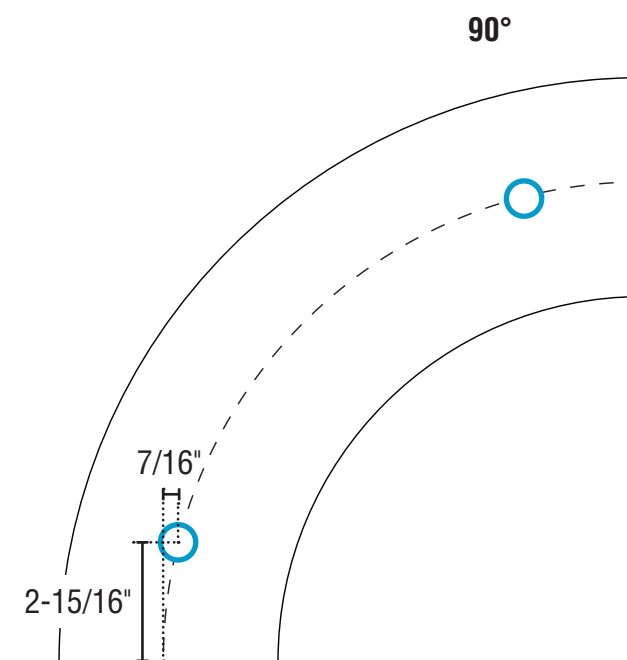
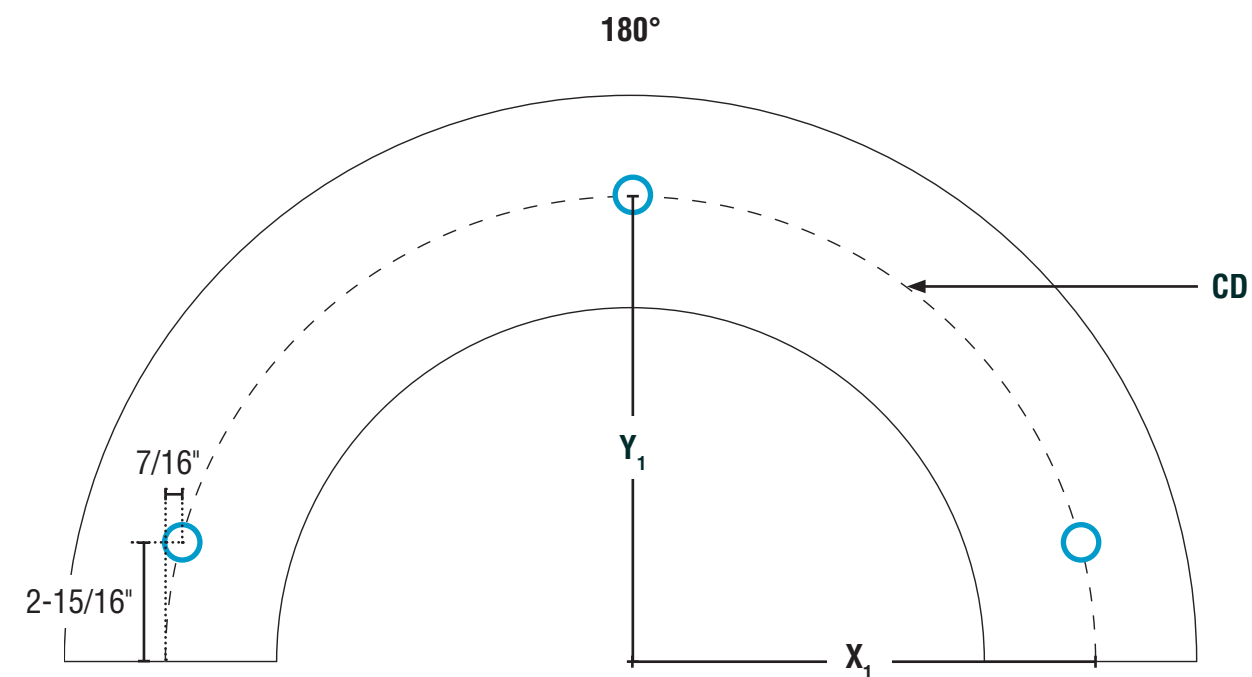
Step 1 - Rough-Ins & Mounting Options

Mount Curved Luminaire to Structure

Refer to Record Drawings and building plans to determine exact mounting points and power feed locations.

	$X_1=Y_1$	CD
2D-180	10"	20"
3D-180	16"	32"
4D-180	22"	44"

○ = Mounting Point



CONTINUED

HP-4 Recessed Spackle Flange Curved Installation Instructions

Step 1 - Rough-Ins & Mounting Options

Mount Straight Luminaire to Structure

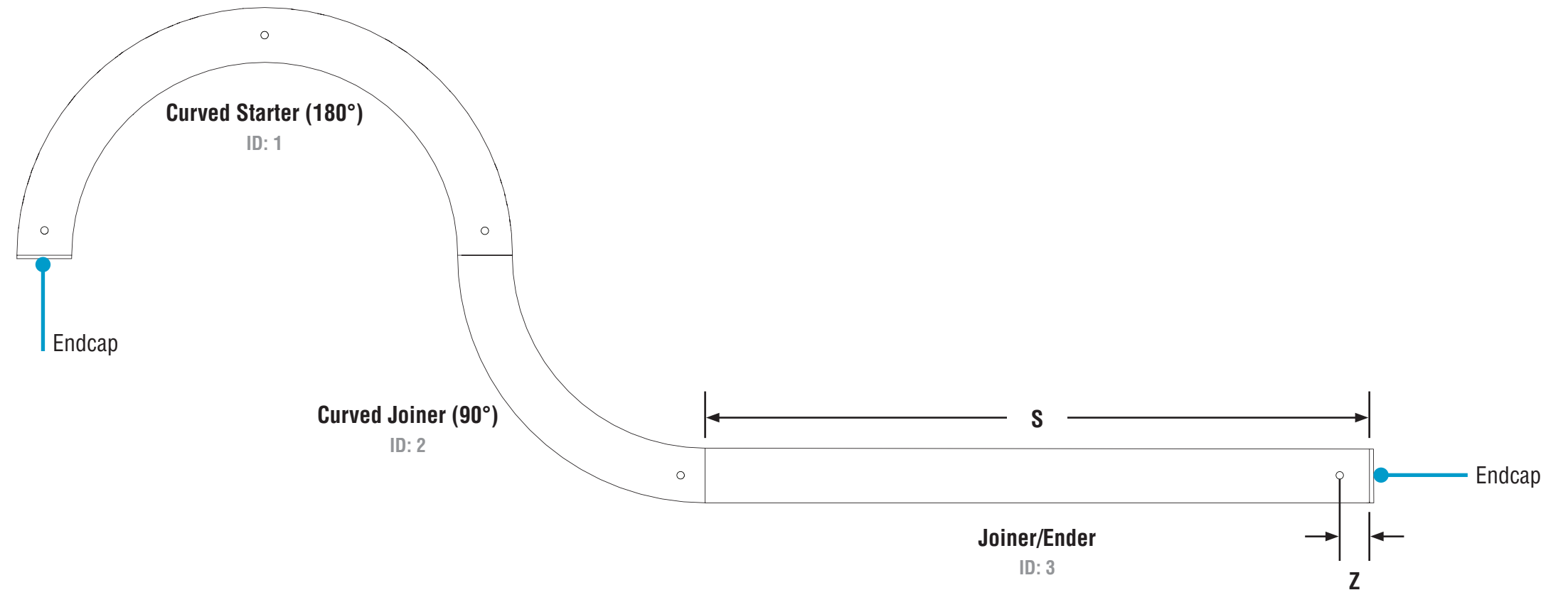
S = Straight run Luminaire section length (**Does not include** endcap)

Z = Mounting hole location (**Does not include** endcap)

Endcap = 1/16"

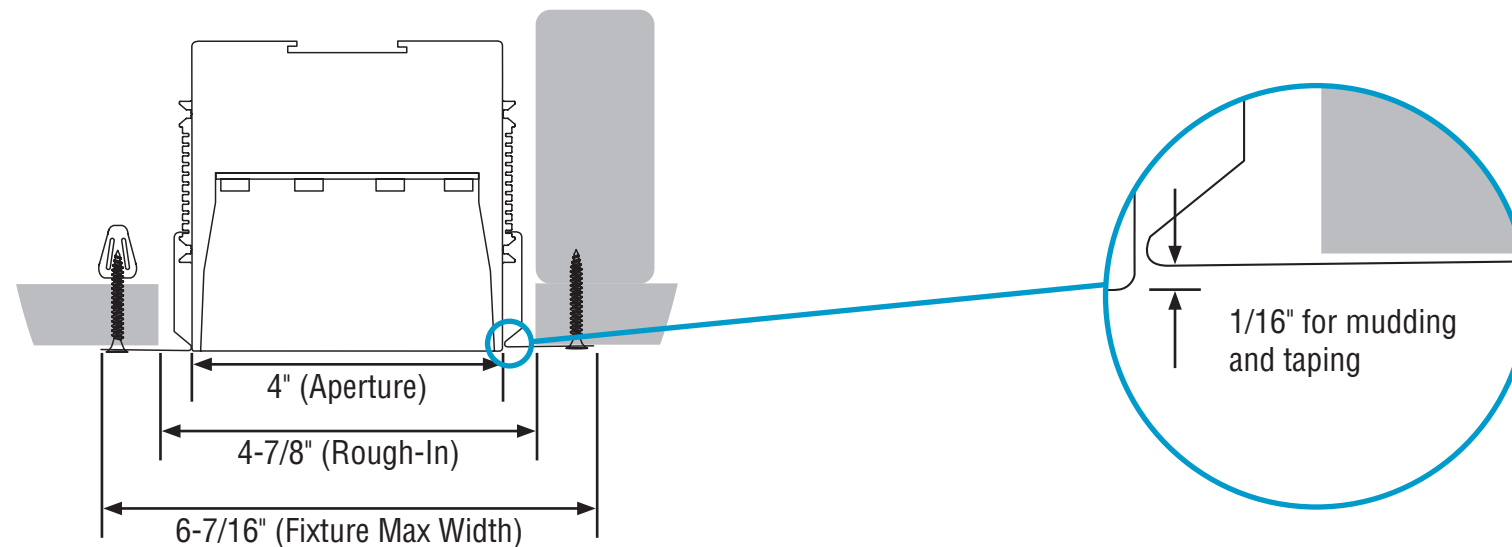
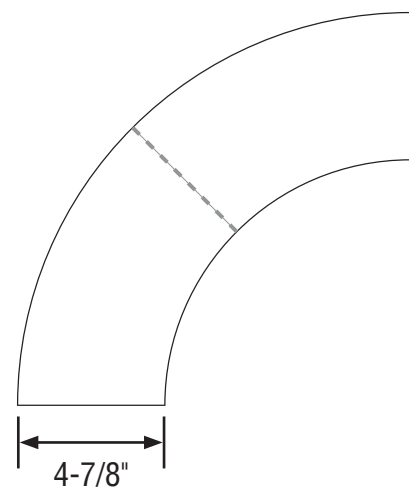
Refer to Record Drawings and building plans to determine exact mounting points and power feed locations.

Z = Mounting Hole Location (Does not include endcap)	
HP-4	6"



Rough-Ins

Rough-In Template (provided)



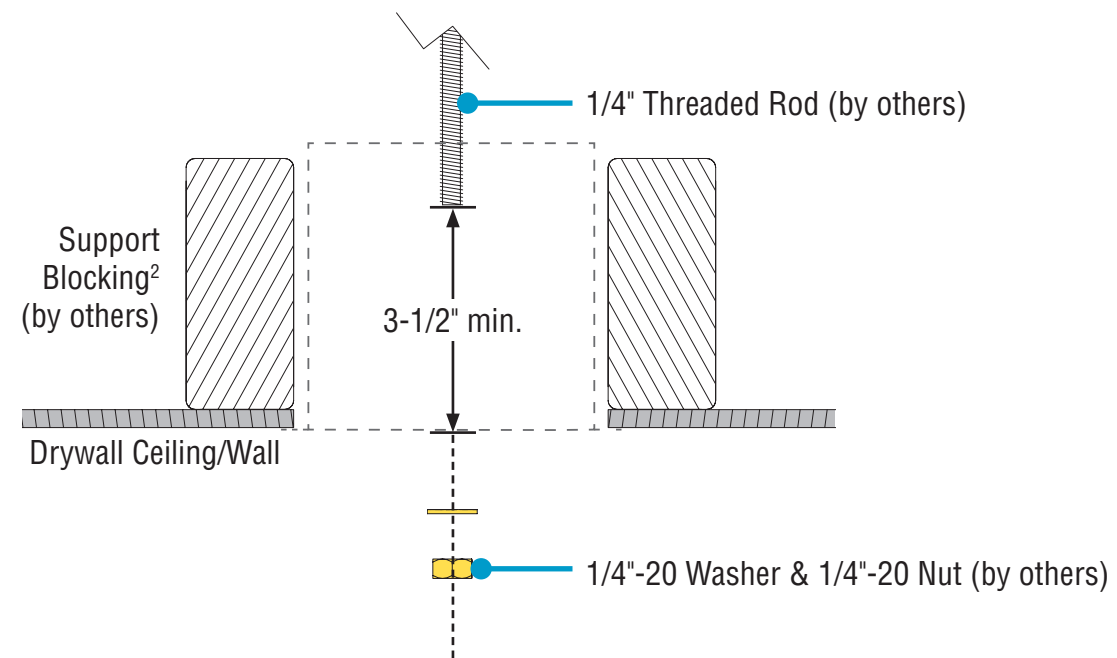
- Use 90° multi-use template for rough-in accuracy. Template is perforated for use with 45° sections. Use two templates for 180° section.
- **NOTE:** Add 3/8" to endcap side of starter and ender luminaires **ONLY**.
- Refer to Record Drawings and building plans to determine rough-in measurements.
- Build wall/ceiling with rough-in according to rough-in dimensions.
- **CRITICAL:** Drywall or weak paneling must be secured to blocking (studs) around rough-in opening in the wall/ceiling.

HP-4 Recessed Spackle Flange Curved Installation Instructions

Step 1 - Rough-Ins & Mounting Options

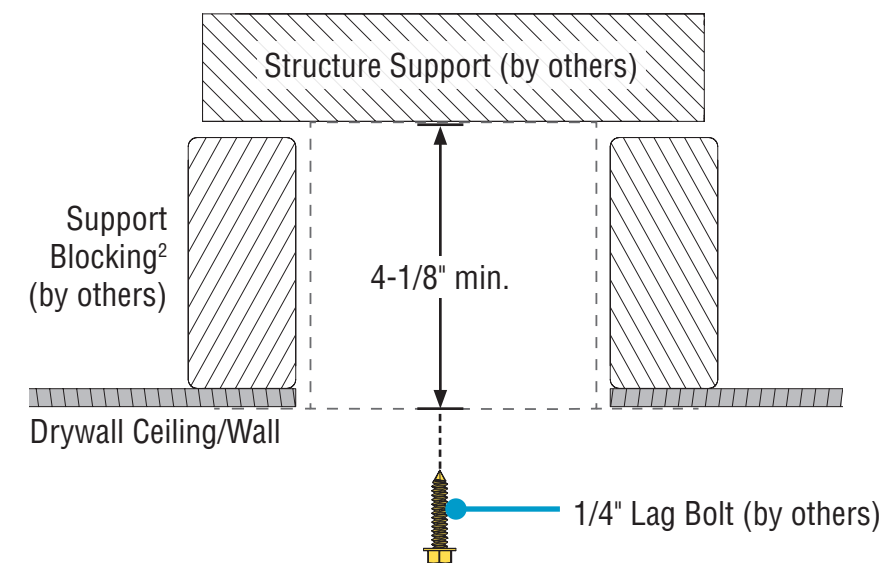
Mounting Options

Option 1 - Mount to Threaded Rod

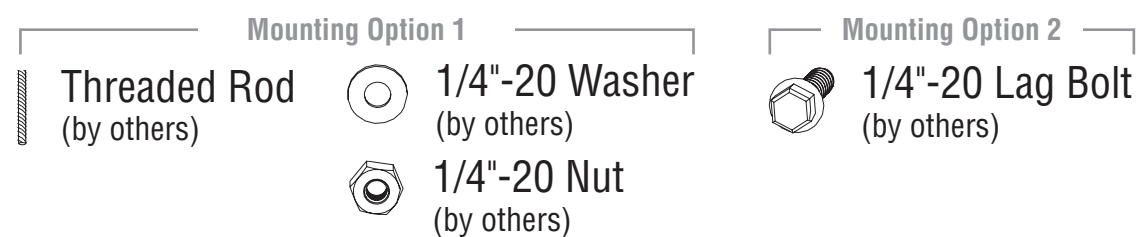


- Luminaire mounting holes sized for 1/4"-20 threaded rod.
- Distance from threaded rod to wall/ceiling surface¹ must be a minimum of 3-1/2".
- Refer to Record Drawings to determine mounting hole locations on luminaires and install threaded rods to structure.

Option 2 - Mount to Structure



- Distance from support block to wall/ceiling surface¹ must be a minimum of 4-1/8".
- Refer to Record Drawings to determine mounting hole locations on luminaires and install support blocking² to structure.



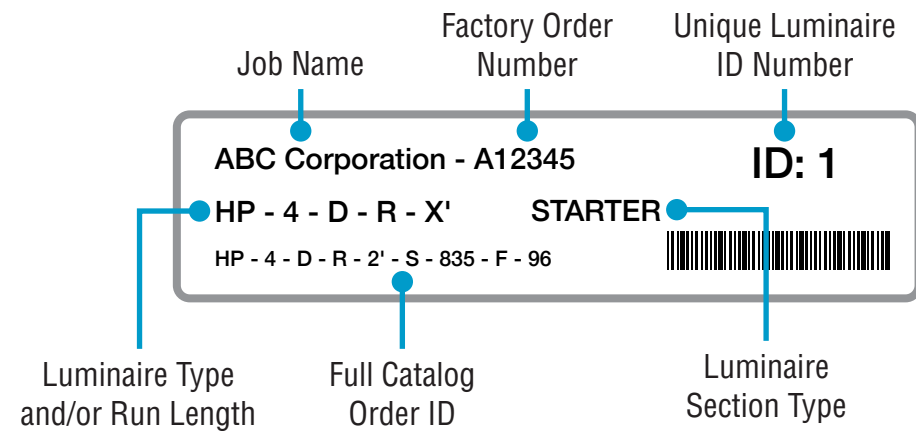
¹ Wall/ceiling surface = drywall, wood, concrete or masonry, metal panels, tile, etc.

² Support blocking = Wooden beams/studs, sheet metal framing beams, steel beams, concrete beams, etc. Use hardware appropriate to the beam material.

HP-4 Recessed Spackle Flange Curved Installation Instructions

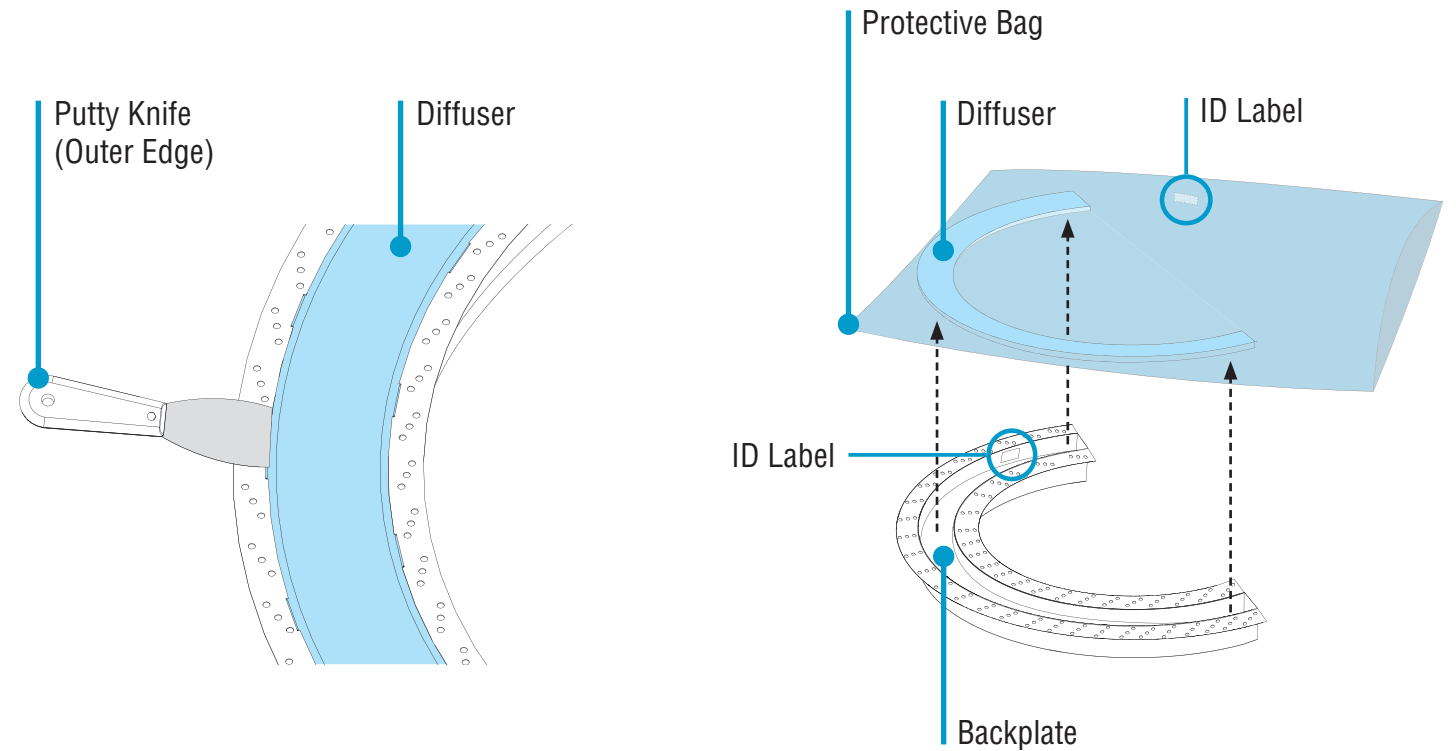
Step 2 - Identification & Preparation

A. Identify Luminaires



- Identify all luminaires by their ID label that can be found on the box and inside the luminaire.
- **NOTE:** Exact location of labels in these areas may vary.
- Remove all luminaires from their box.
- Refer to Record Drawings that can be found in the hardware kit.

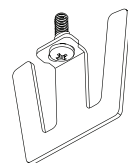
B. Remove Diffuser Top-Down View



- **NOTE:** Maximum width of putty knife is 2 inches.
- **1.** To release diffuser, carefully slide putty knife between outer edge of diffuser and luminaire.
- **2.** Then, directly across from you carefully slide putty knife between inner edge of diffuser and luminaire.
- **3.** Work your way around outer edge of diffuser to fully release it from luminaire.
- Keep diffuser inside protective bag.
- Set aside diffuser to prevent it from getting dirty or damaged.
- Ensure diffuser can be clearly identified back to corresponding luminaire.

Kitted Hardware

- Finelite has provided items listed here, with their Finelite part numbers. These items can be found in separate boxes shipped with the luminaire.
- Account for all parts and set aside until they are needed.
- All other hardware needed for this installation will be by others.



Yoke Bracket
Part# 47130

Washer
Part# 94111

#10-32 x 5/8" Screw
Part# 94144
Securing Luminaire Joints
p. 14, Step 6



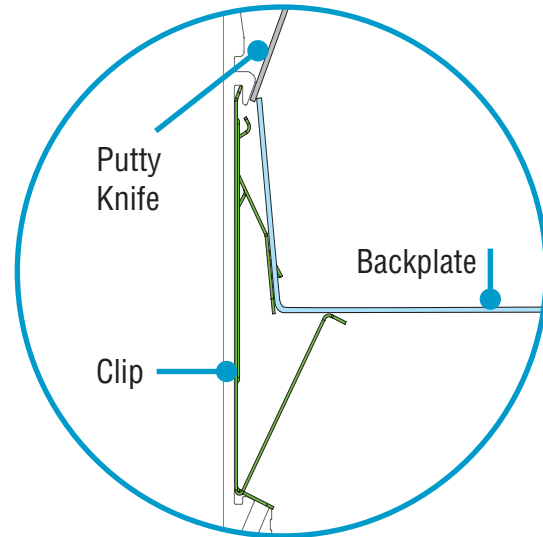
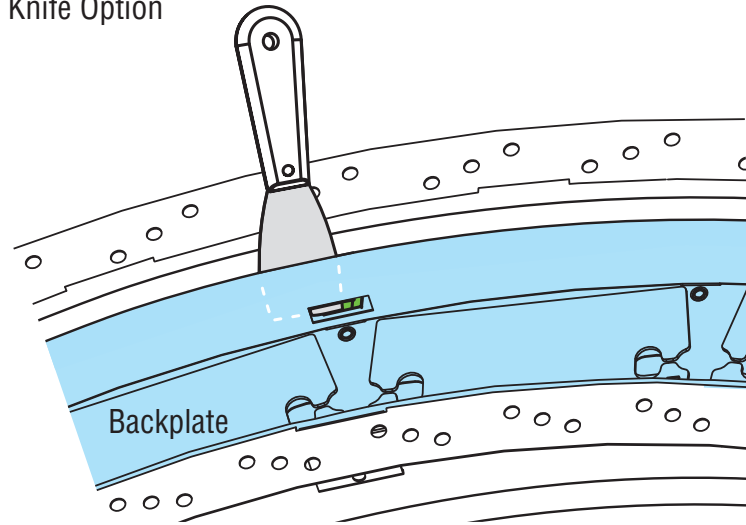
#8-18 x 1/4" Screw
Part# 69026
Mounting Luminaires to Structure
p. 8-9, Step 4

HP-4 Recessed Spackle Flange Curved Installation Instructions

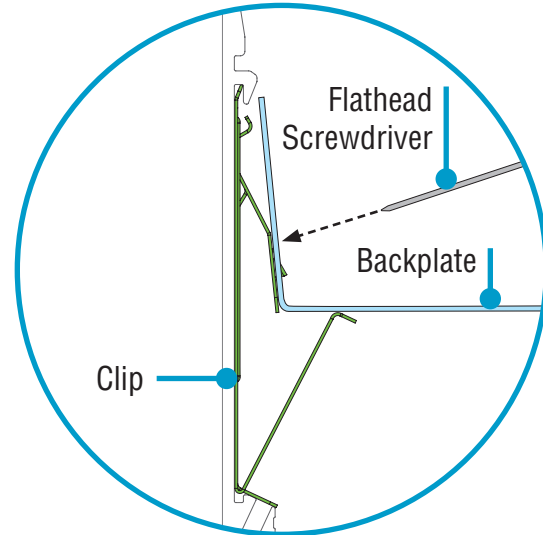
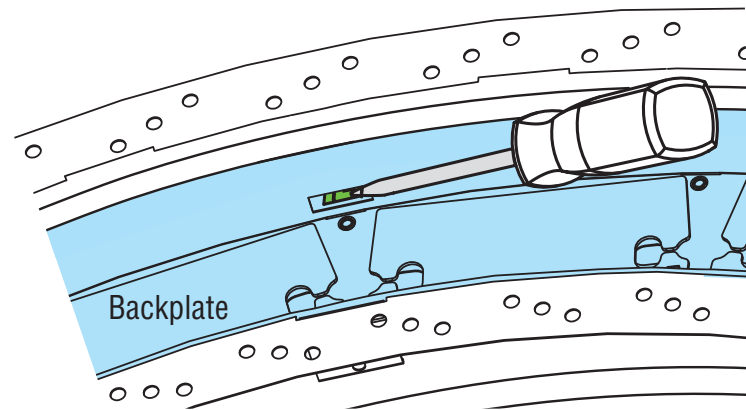
Step 3 - Opening Curved Luminaires

Release Curved Backplates Top-Down View

Putty Knife Option

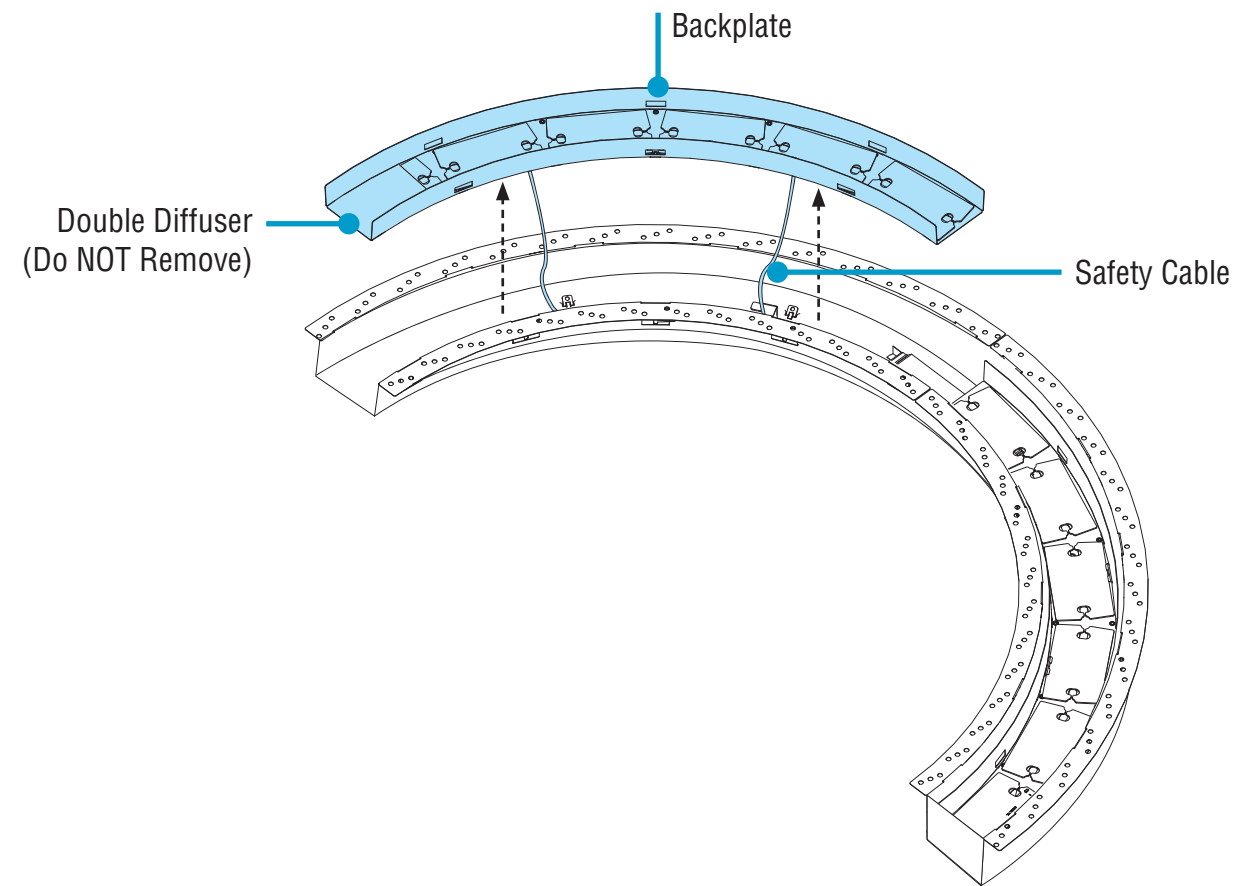


Flathead Screwdriver Option



- Open all backplates for access to mounting points.
- Release backplates from clips by sliding the blade of a putty knife behind backplate edges.
- To use a flathead screwdriver: From inside backplate, press end of screwdriver against the clip until the backplate is released.

Top-Down View



- **CAUTION:** Be careful when removing backplates. They may be connected by wiring harnesses. Do NOT remove double diffusers.
- Carefully remove backplates.
- Keep backplates hanging with safety cables connected.

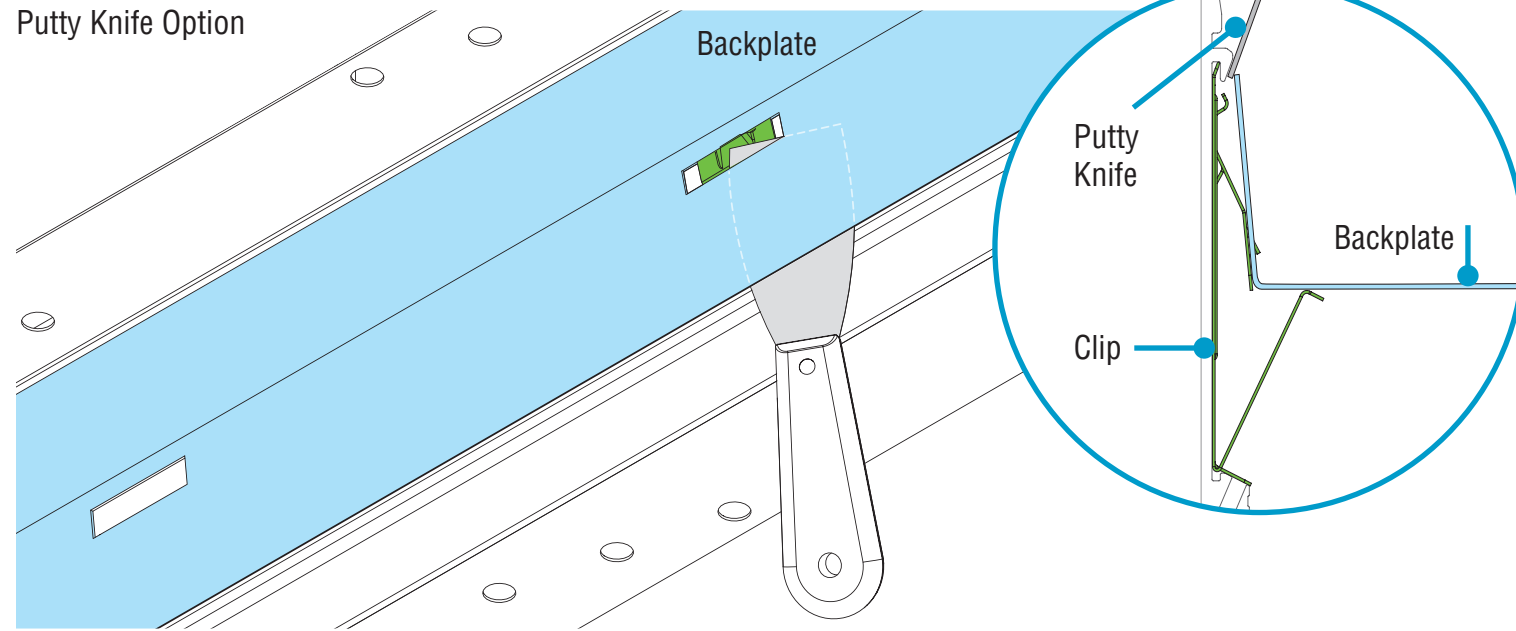
CONTINUED

HP-4 Recessed Spackle Flange Curved Installation Instructions

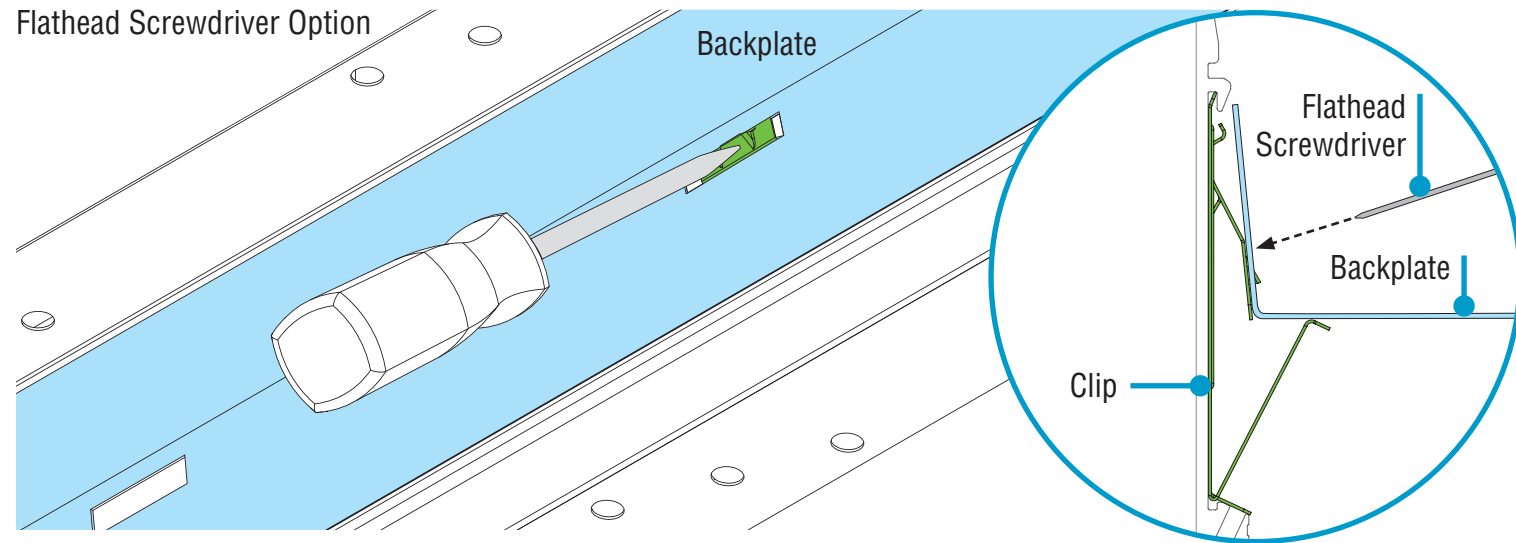
Step 3 - Opening Straight Luminaires

Release Straight Backplates Top-Down View

Putty Knife Option



Flathead Screwdriver Option

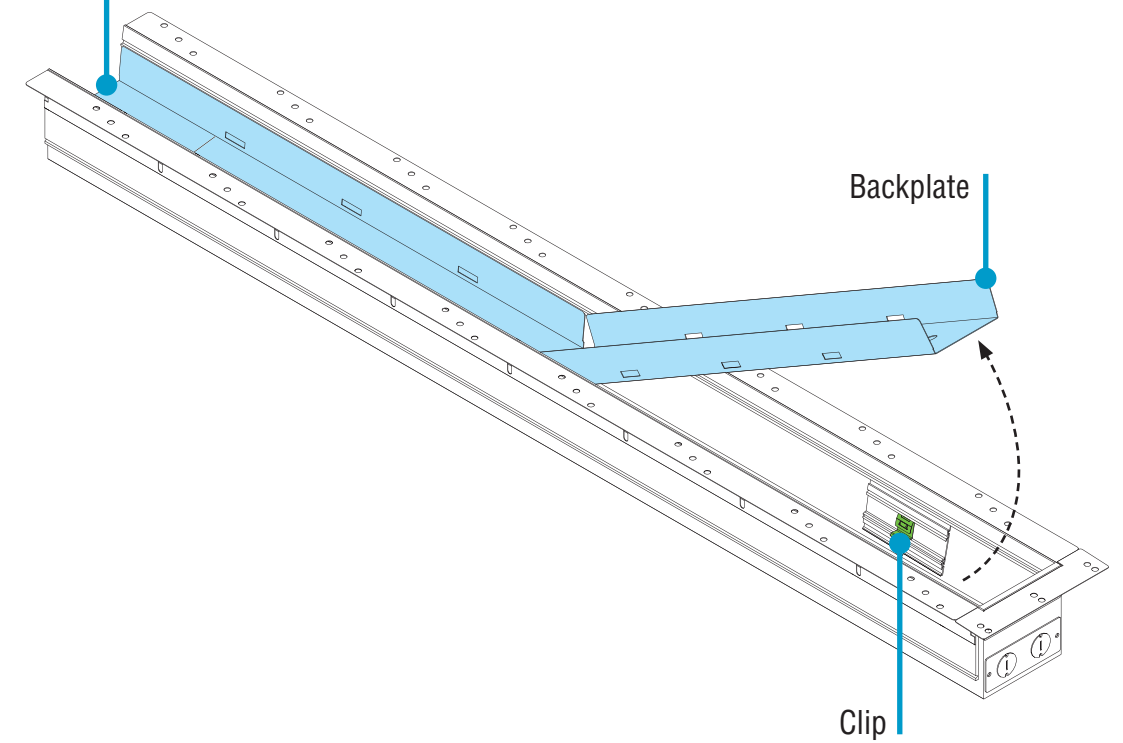


- Release the backplates from clips by sliding the blade of a putty knife behind backplate edges.
- To use a flathead screwdriver, press end of screwdriver (from inside the luminaire) against the clip, until the backplate is released.

Top-Down View



Double Diffuser
(Do NOT Remove)



- **CAUTION:** Be careful when removing backplates. Do NOT remove double diffusers.
- Carefully rotate backplates out from luminaire body.
- **CRITICAL:** If flex conduit will be installed to curved luminaire, **PROCEED TO PAGE 8.** If flex conduit will be installed to straight luminaire, **PROCEED TO PAGE 9.**



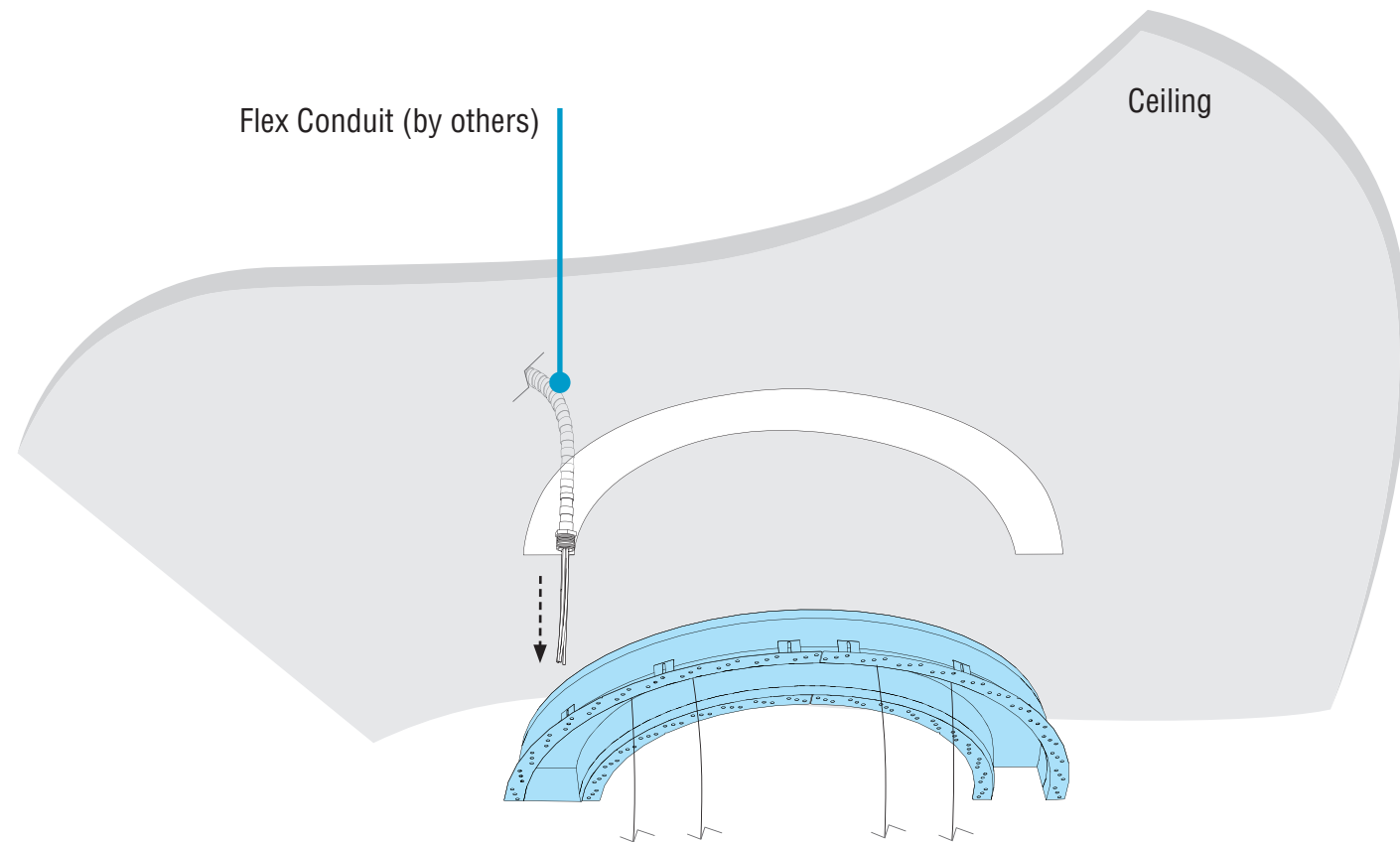
Effortless
Access

HP-4 Recessed Spackle Flange Curved Installation Instructions

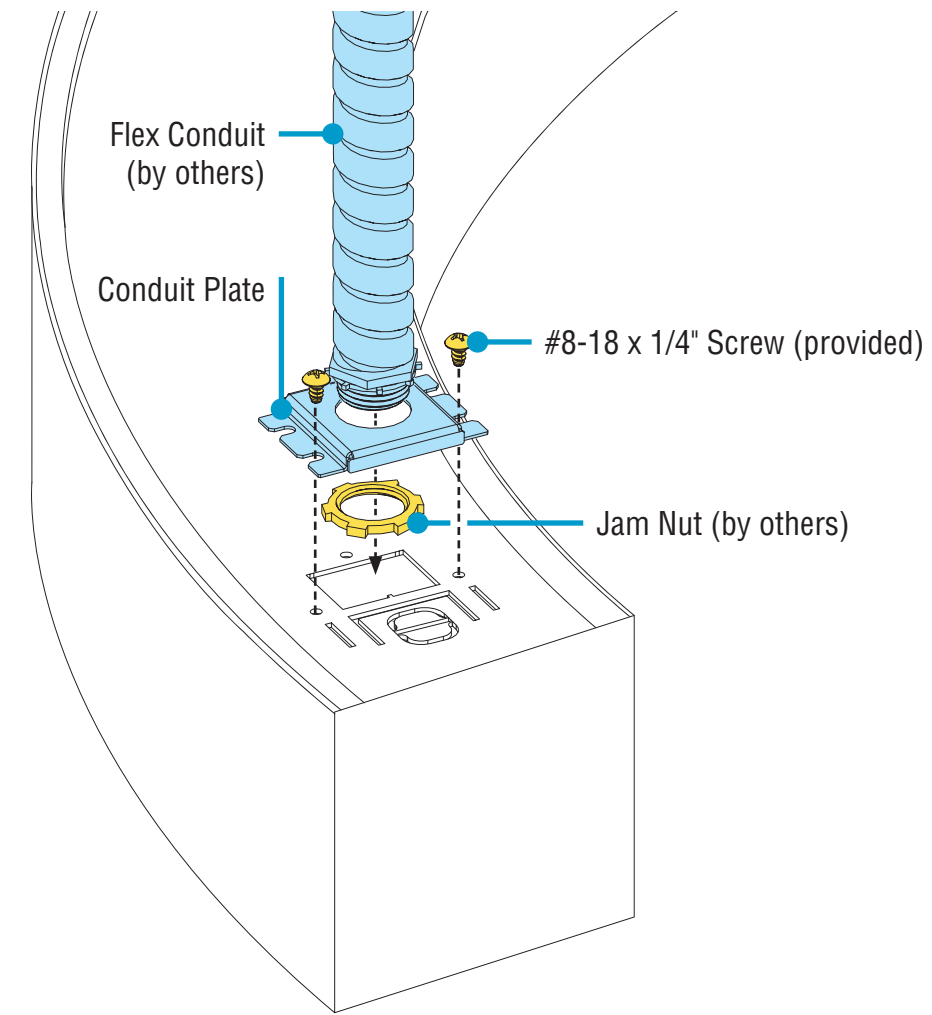
Step 4 - Mounting Luminaires to Structure

A. Make Electrical Connections

Curved



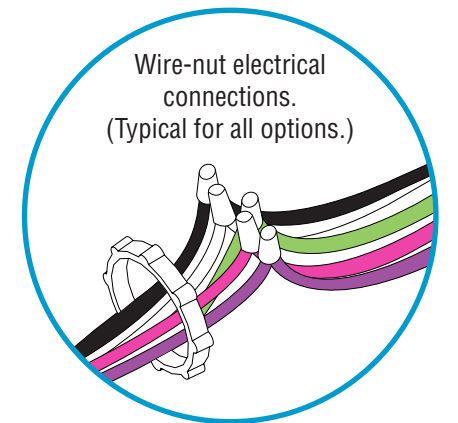
- While properly supporting luminaire, maneuver luminaire near ceiling opening.
- **NOTE:** Backplates are connected to safety cables.



- Remove two #8-18 x 1/4" screws to release conduit plate.
- Install flex conduit and jam nut onto conduit plate.
- Wire-nut electrical connections. See wiring legend.
- Reinstall conduit plate and two #8-18 x 1/4" screws.

WIRING LEGEND

Black	Hot	Line Voltage
White	Neutral	Line Voltage
Green	Ground	
Pink	Dimming	0-10V DC
Purple	Dimming	0-10V DC



CONTINUED



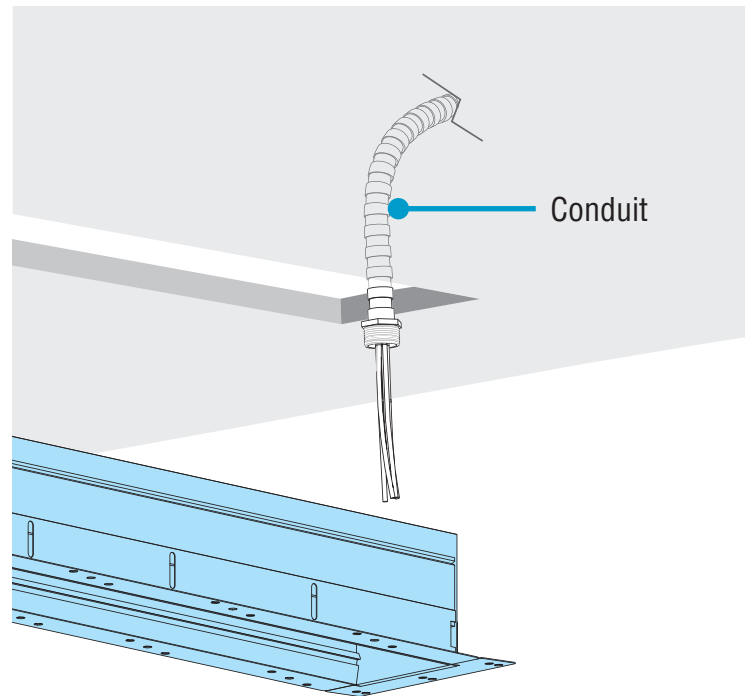
0-10V
Dimming

HP-4 Recessed Spackle Flange Curved Installation Instructions

Step 4 - Mounting Luminaires to Structure

Make Electrical Connections (if applicable)

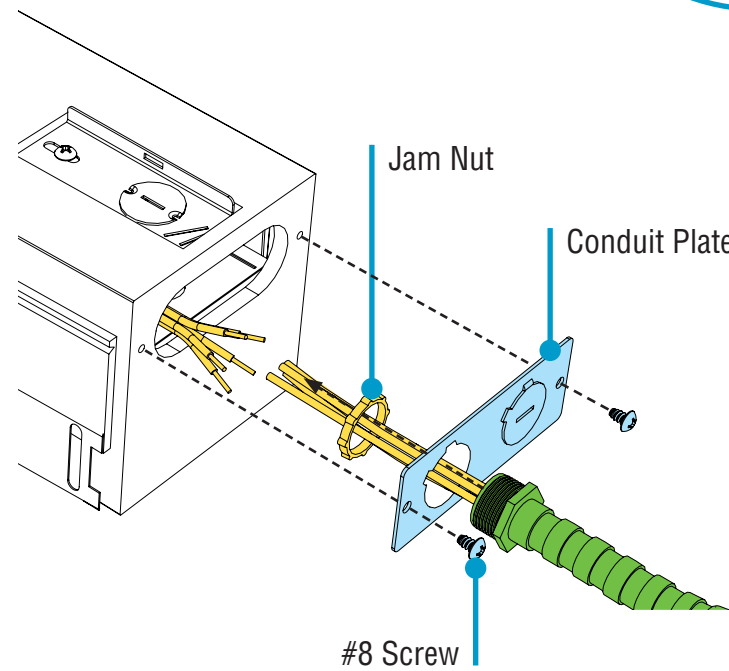
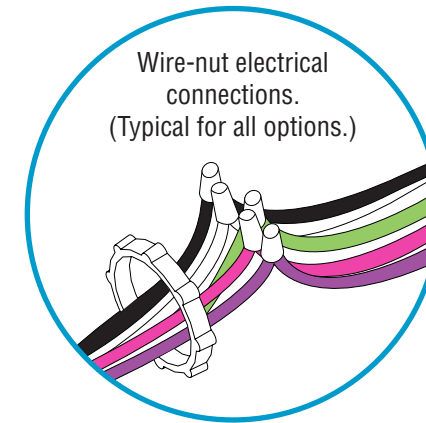
Straight



- **FOR SENSOR:** If luminaire contains a sensor at endcap, refer to page 2 of Sensor Addendum before Mounting Starter to Structure.
- While properly supporting luminaire, maneuver luminaire near wall/ceiling opening.
- Make electrical connections at **ENDCAP**, at **TOP** or with a **SPLICE BOX**.

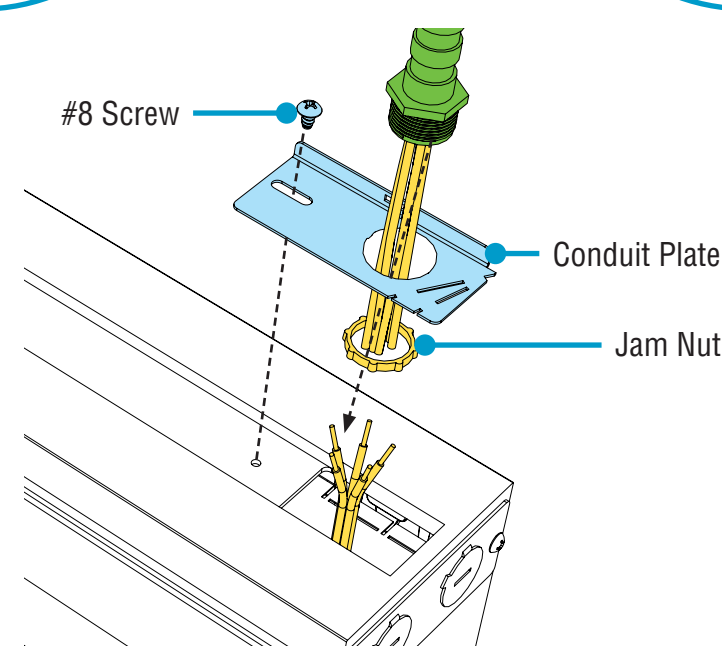
WIRING LEGEND

Black	Hot	Line Voltage
White	Neutral	Line Voltage
Green	Ground	
Pink	Dimming	0-10V DC
Purple	Dimming	0-10V DC



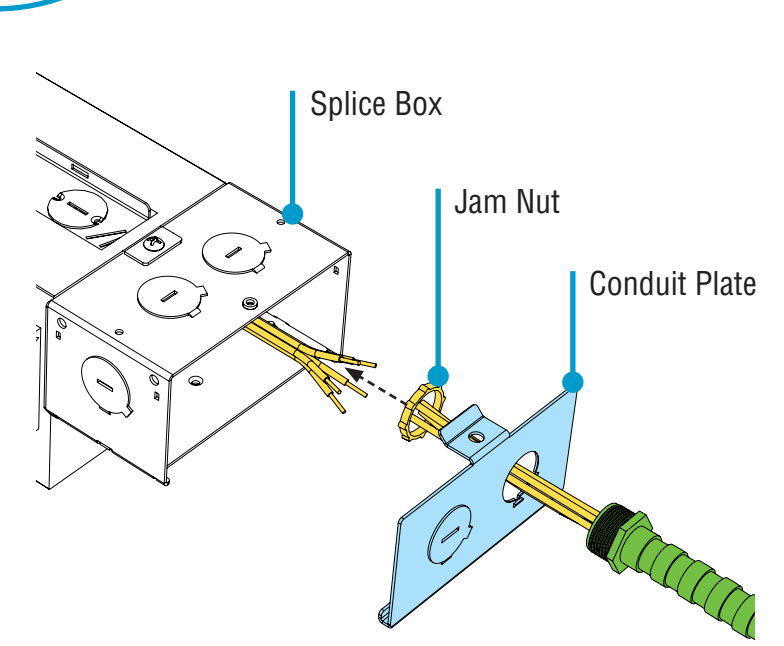
CONDUIT PLATE - ENDCAP (Standard)

- Remove two screws holding conduit plate.
- Install conduit and jam nut onto conduit plate.
- Wire-nut electrical connections. See wiring legend above.
- Reinstall conduit plate and screws. Do not damage any wires.



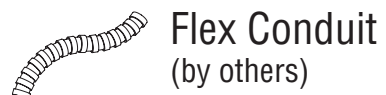
CONDUIT PLATE - TOP (Optional)

- Remove screw holding conduit plate.
- Install conduit and nut onto conduit plate.
- Wire-nut electrical connections. See wiring legend above.
- Reinstall conduit plate and screw. Do not damage any wires.



SPLICE BOX (Optional)

- Lift tab to unsnap and remove splice box cover.
- Install conduit and nut onto splice box cover.
- Wire-nut electrical connections. See wiring legend above.
- Reinstall splice box cover. Do not damage any wires.



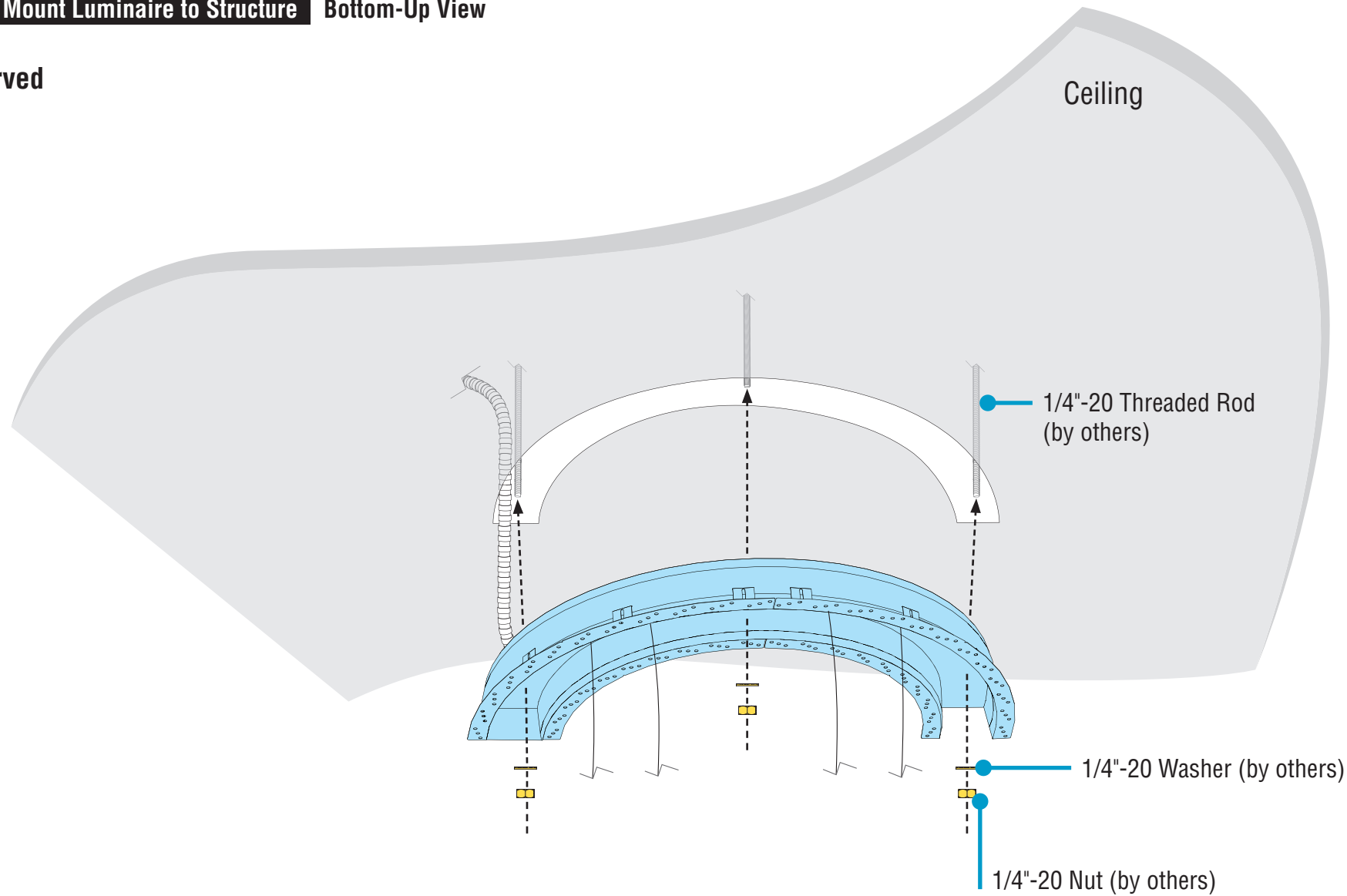
0-10V Dimming

HP-4 Recessed Spackle Flange Curved Installation Instructions

Step 4 - Mounting Luminaires to Structure

B. Mount Luminaire to Structure Bottom-Up View

Curved



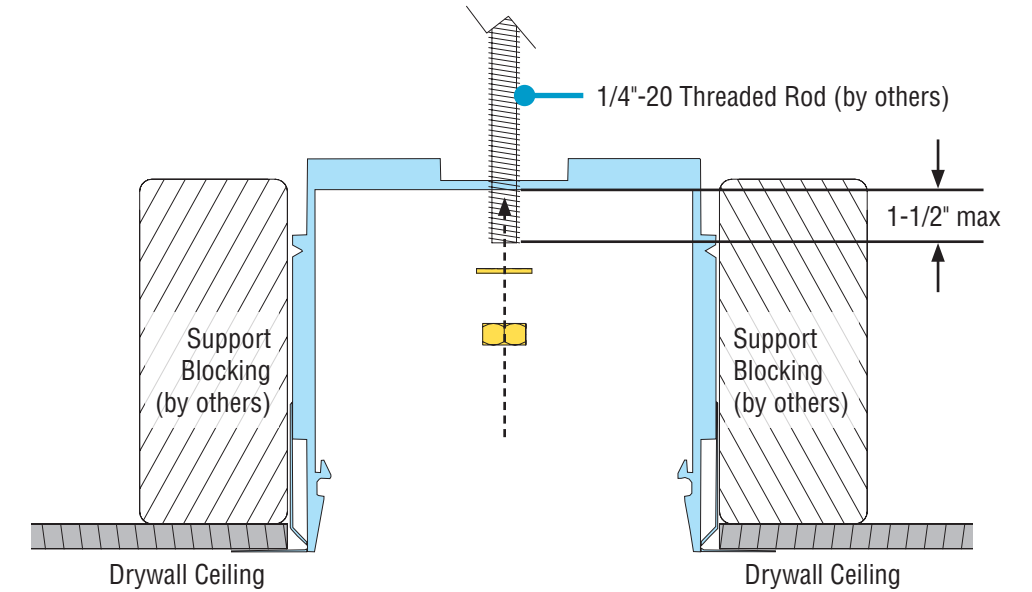
Option 1 (Shown) - Mount to Threaded Rod

- Align threaded rods with mounting holes and slide luminaire into ceiling.
- Install 1/4"-20 nut and 1/4"-20 washer onto 1/4"-20 threaded rod.
- **NOTE:** Backplates are connected to safety cables.

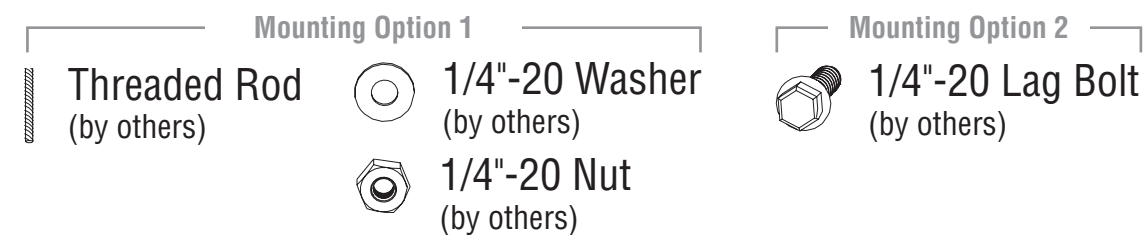
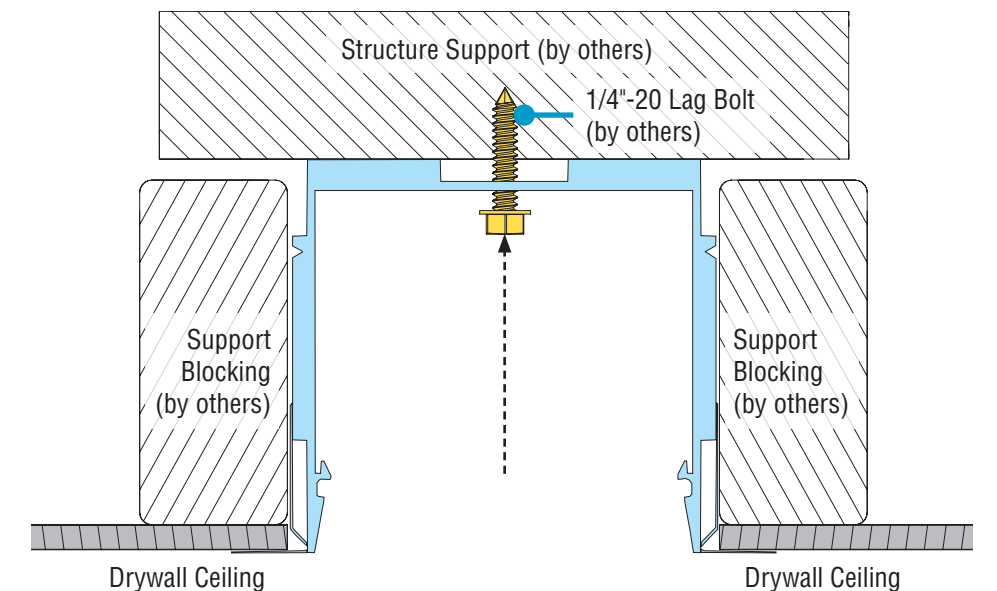
Option 2 - Mount to Structure

- Slide luminaire into ceiling and mount to structural support with hardware appropriate for the structure type.
- **NOTE:** Backplates are connected to safety cables.

Option 1 (Shown) - Mount to Threaded Rod



Option 2 - Mount to Structure



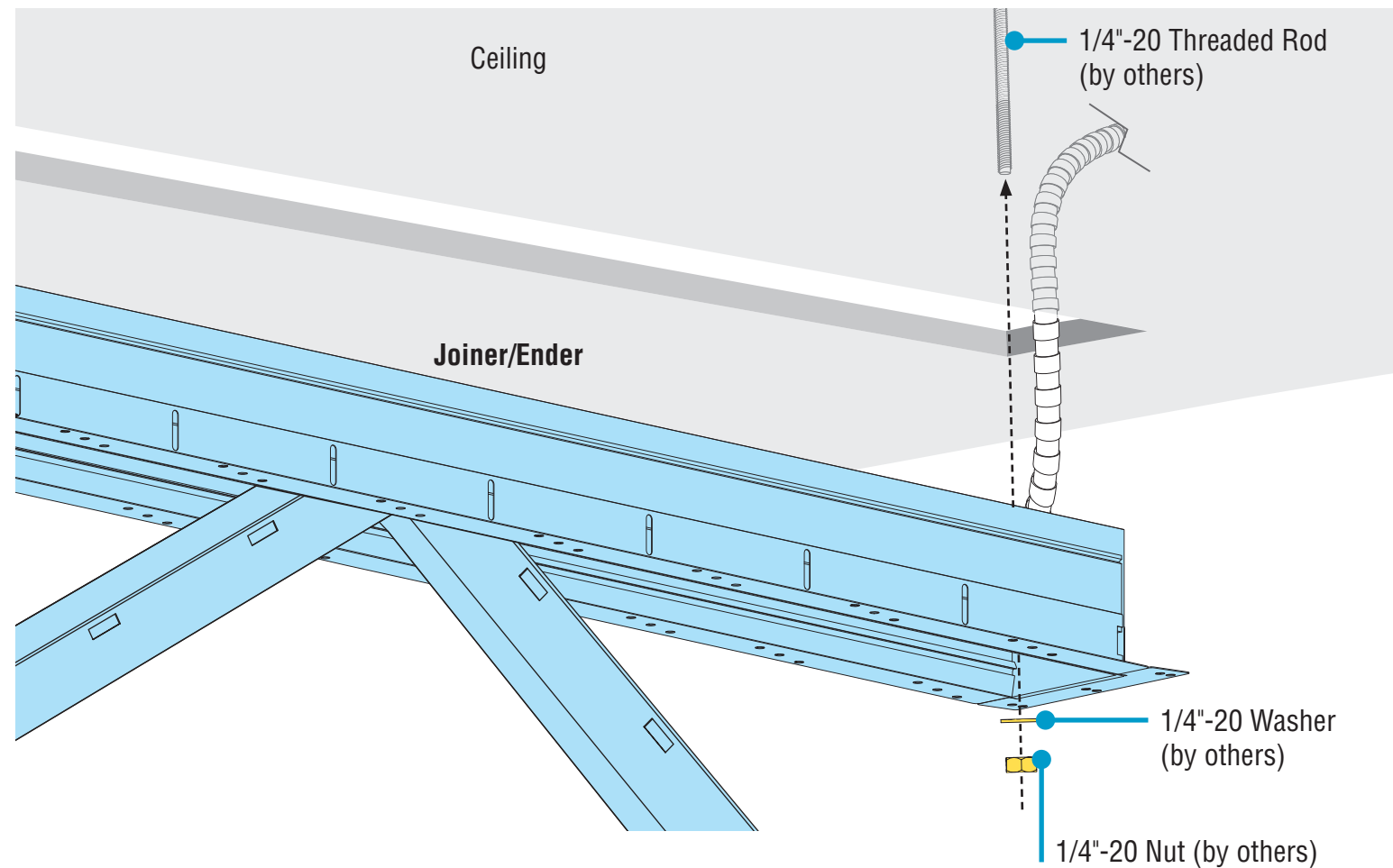
CONTINUED

HP-4 Recessed Spackle Flange Curved Installation Instructions

Step 4 - Mounting Luminaires to Structure

B. Mount Luminaire to Structure Bottom-Up View

Straight



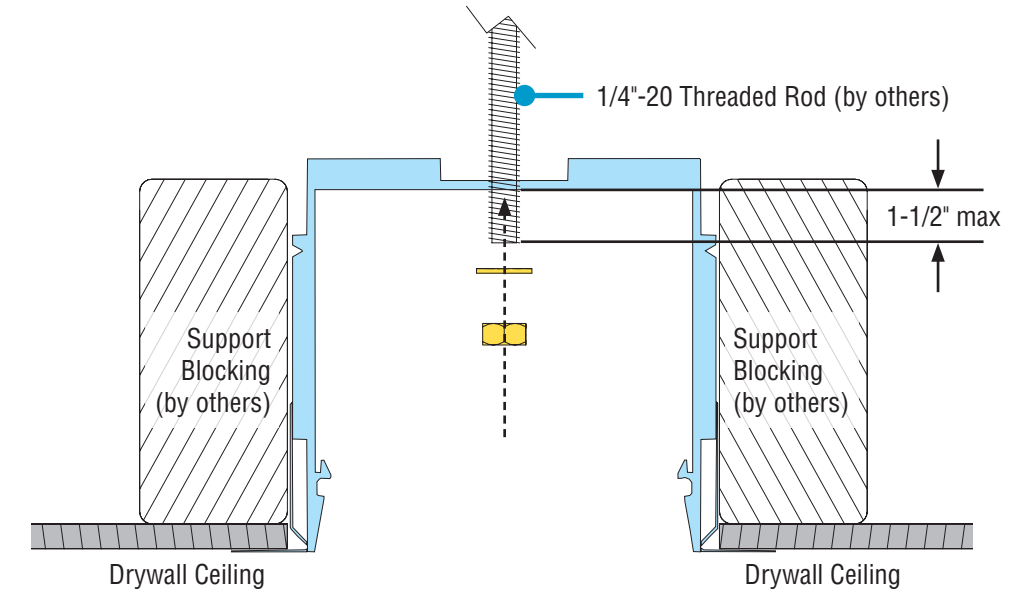
Option 1 (Shown) - Mount to Threaded Rod

- Align threaded rods with mounting holes and slide luminaire into wall/ceiling.
- Install 1/4"-20 nut and 1/4"-20 washer onto 1/4"-20 threaded rod.
- **CRITICAL:** If installing a joiner luminaire, leave nut loose, allowing luminaire to hang out of ceiling at an angle.
- If there is no joiner/ender, then tighten nuts fully.

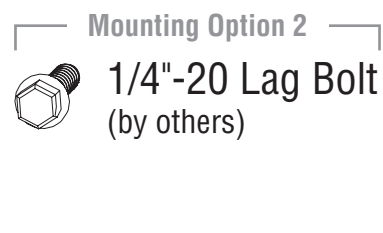
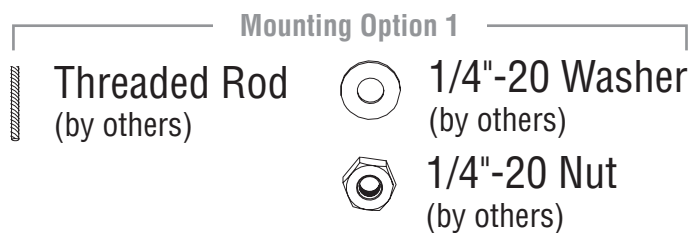
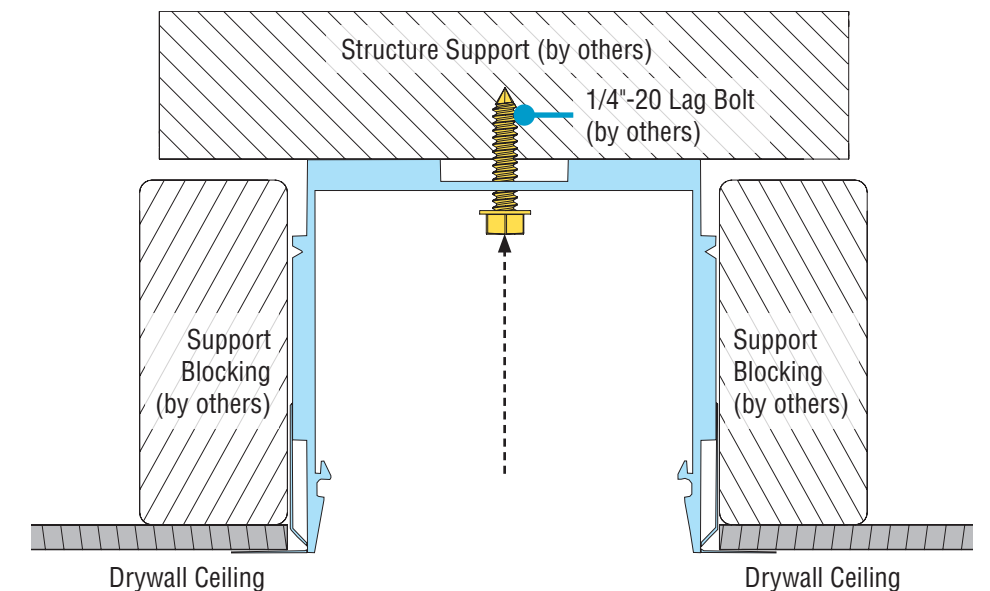
Option 2 - Mount to Structure

- Slide luminaire into wall/ceiling and mount to structure support with hardware appropriate for the structure type.
- **CRITICAL:** If installing a joiner luminaire, leave nut loose, allowing luminaire to hang out of ceiling at an angle.
- If there is no joiner/ender, then tighten nuts fully.

Option 1 (Shown) - Mount to Threaded Rod



Option 2 - Mount to Structure



HP-4 Recessed Spackle Flange Curved Installation Instructions

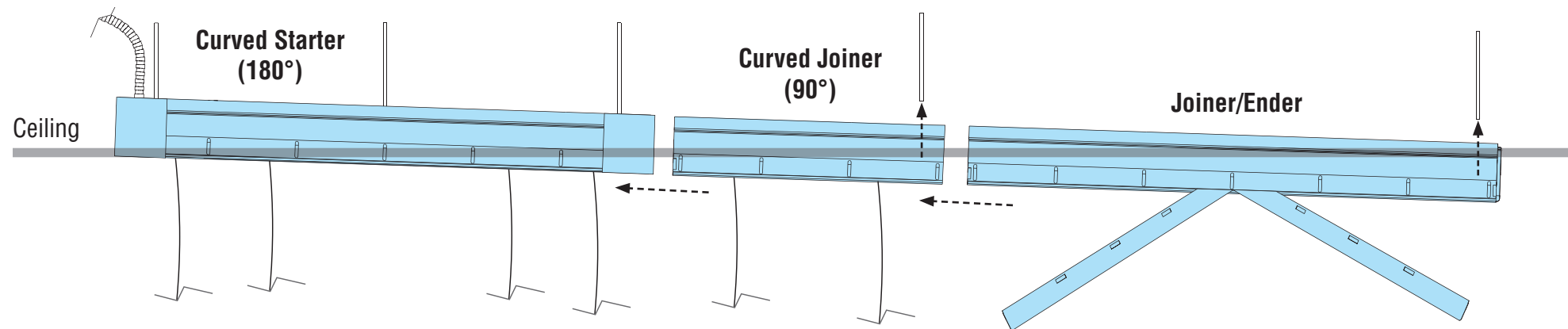
Step 5 - Joining Luminaires

A. Mount Joiner/Ender to Structure



CAUTION

DO NOT attempt to join luminaires together on the floor. Damage may result when lifted. Follow these instructions.



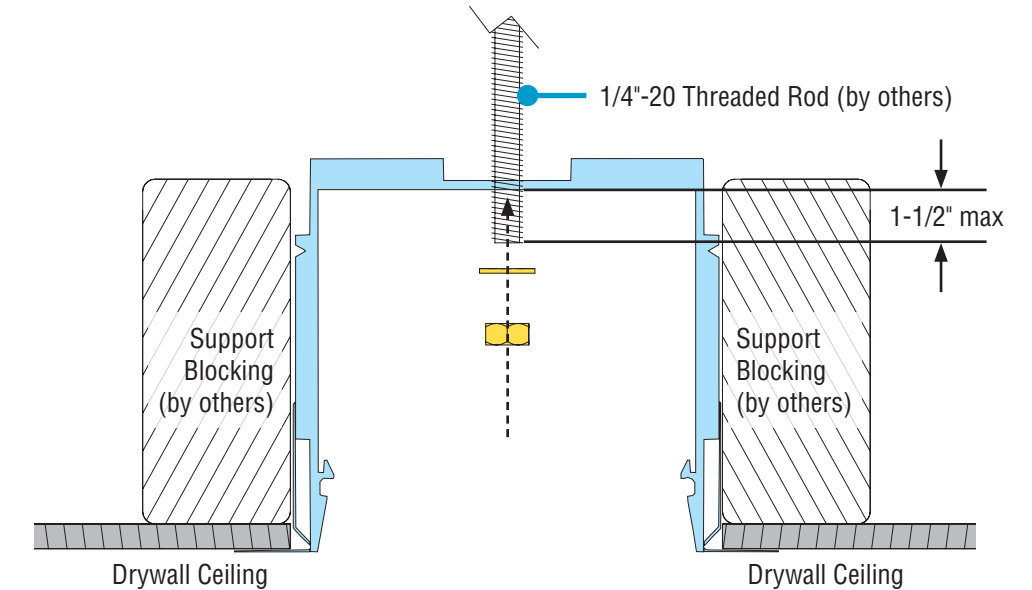
Option 1 (Shown) - Mount to Threaded Rod

- **FOR SENSOR:** If luminaire contains a sensor at endcap, refer to page 2 of Sensor Addendum before joining luminaires.
- While properly supporting luminaire, maneuver luminaire near wall/ceiling opening.
- If necessary, loosen bolts on previous luminaire so that it can hang out of opening at an angle.
- Align threaded rods with mounting holes and slide luminaire into wall/ceiling.
- Install 1/4"-20 nut and 1/4"-20 washer onto 1/4"-20 threaded rod.
- **CRITICAL:** If installing a joiner luminaire, leave nut loose, allowing luminaire to hang out of ceiling at an angle.
- After installing a joiner, return to previous luminaire and tighten.
- If there is no additional joiner/ender, then tighten nuts fully.

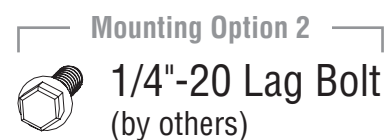
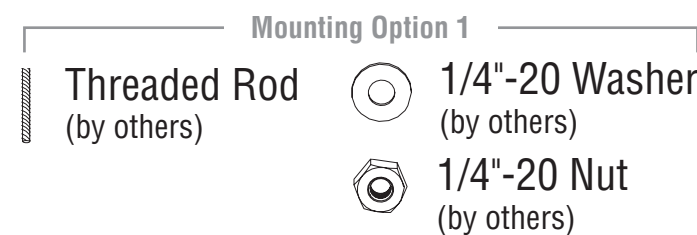
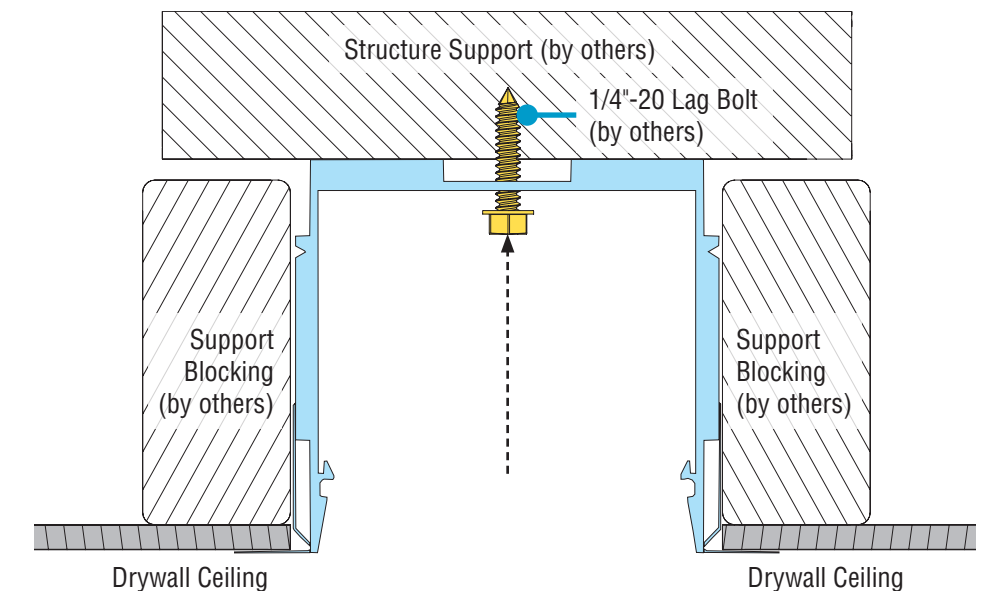
Option 2 - Mount to Structure

- **FOR SENSOR:** If luminaire contains a sensor at endcap, refer to page 2 of Sensor Addendum before joining luminaires.
- While properly supporting luminaire, maneuver luminaire near wall/ceiling opening.
- If necessary, loosen bolts on previous luminaire so that it can hang out of opening at an angle.
- Slide luminaire into wall/ceiling and mount to structure support with hardware appropriate for the structure type.
- **CRITICAL:** If installing a joiner luminaire, leave nut loose, allowing luminaire to hang out of ceiling at an angle.
- After installing a joiner, return to previous luminaire and tighten.
- If there is no additional joiner/ender, then tighten nuts fully.

Option 1 (Shown) - Mount to Threaded Rod



Option 2 - Mount to Structure



CONTINUED

HP-4 Recessed Spackle Flange Curved Installation Instructions

Step 5 - Joining Luminaires

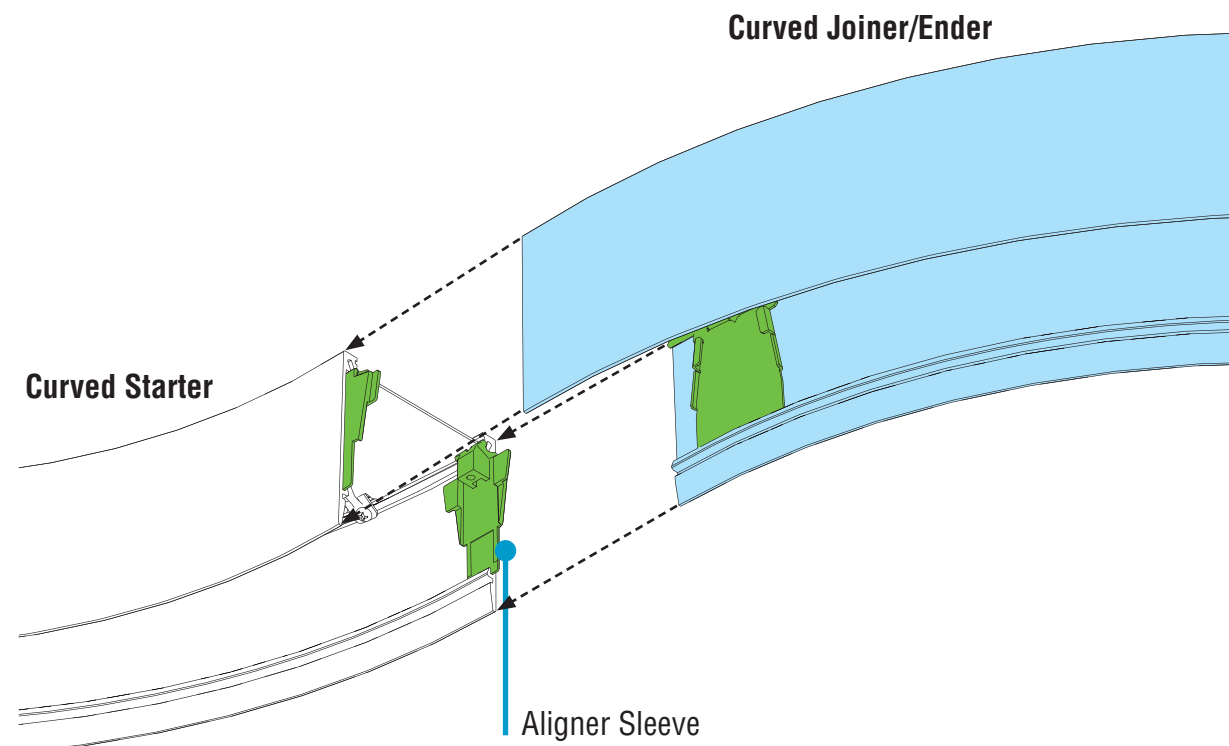
Join Luminaires Bottom-Up View

Curved to Curved



CAUTION

Once luminaires are aligned together, **joiner luminaire is not yet secure.** Ensure it does not slide off as it rests on the starter luminaire.



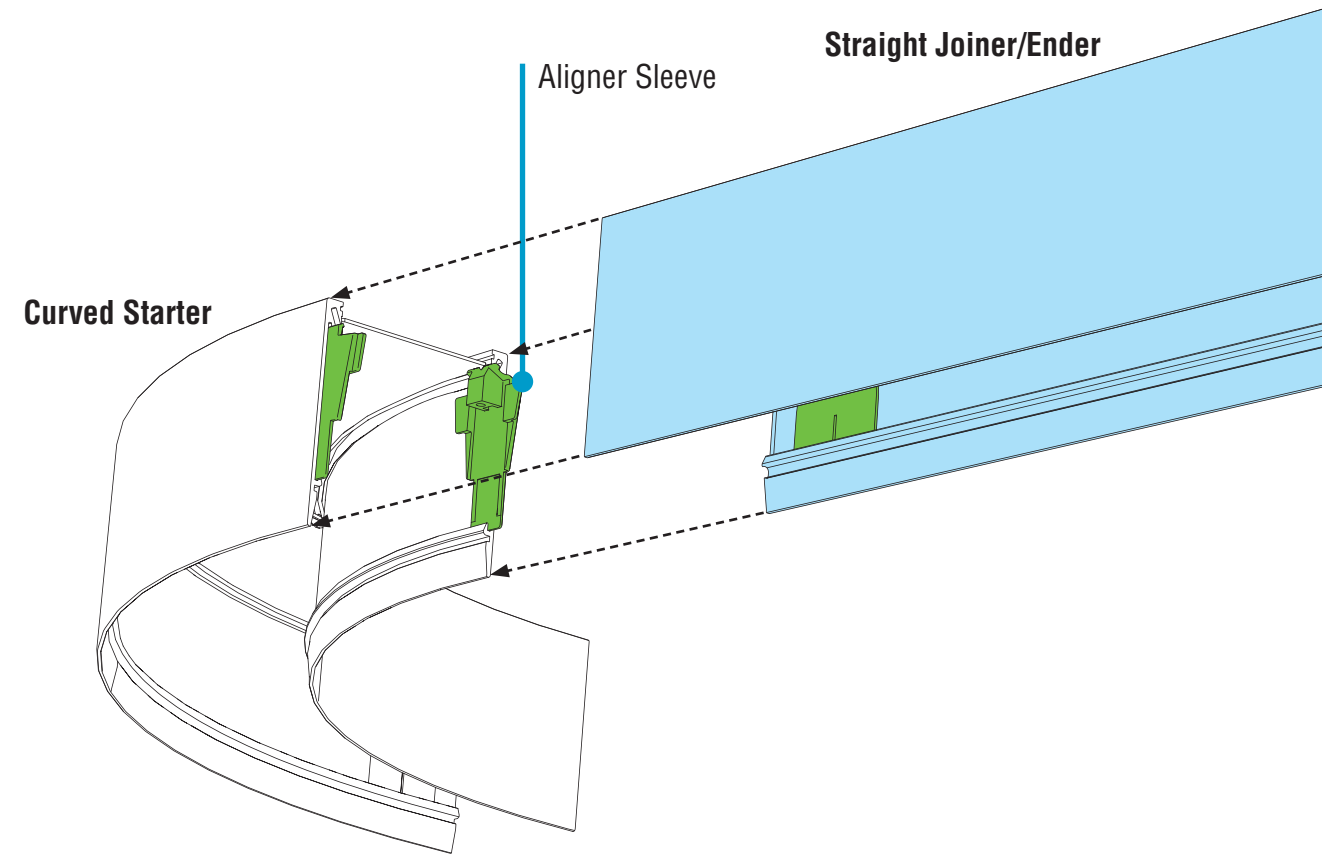
- Align curved joiner/ender with aligner sleeves on curved starter and slide together. Be careful not to damage any wiring.
- If necessary, **lift** both luminaires, then slide together.

Straight to Curved



CAUTION

Once luminaires are aligned together, **joiner luminaire is not yet secure.** Ensure it does not slide off as it rests on the starter luminaire.



- Align straight joiner/ender with aligner sleeves on curved starter and slide together. Be careful not to damage any wiring.
- If necessary, **lift** both luminaires, then slide together.

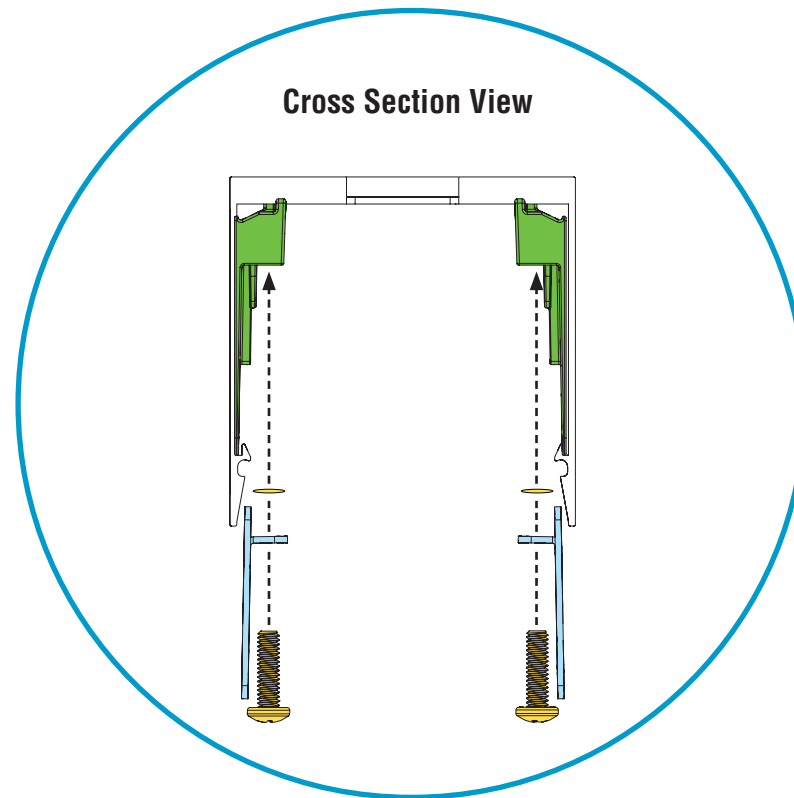
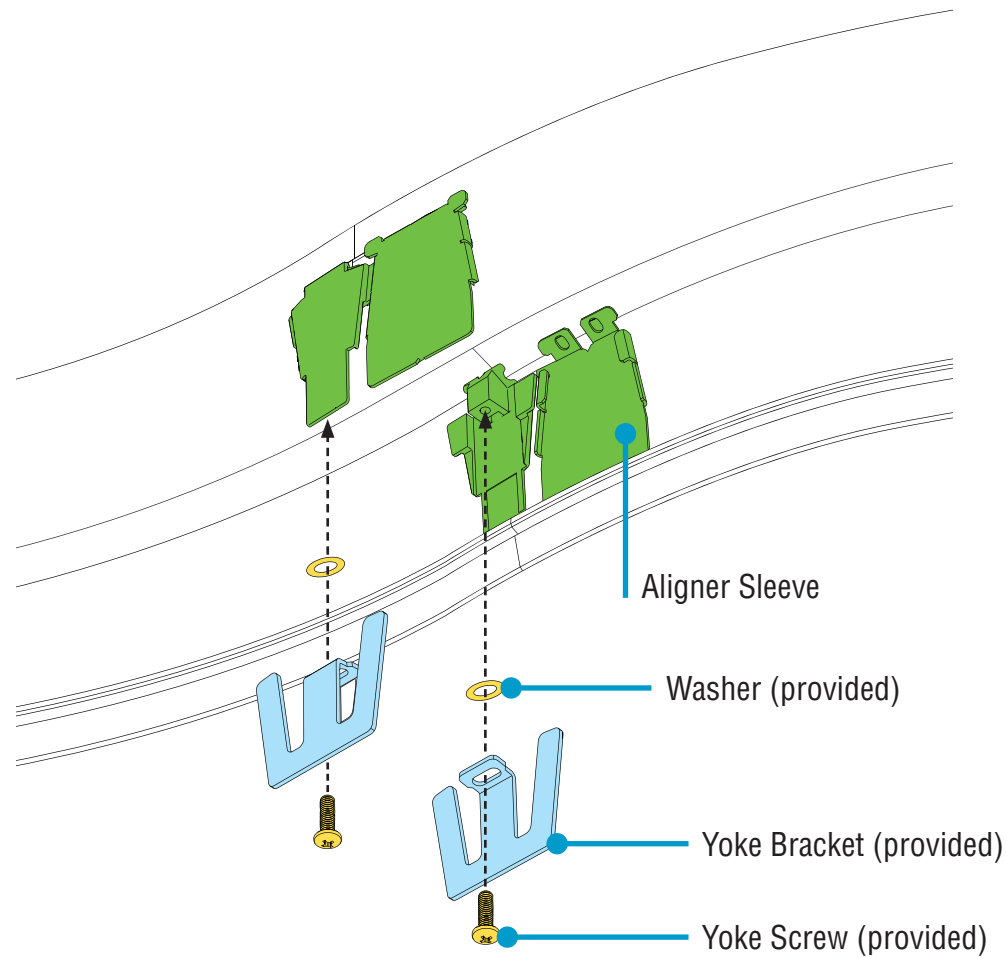


Curved Joints

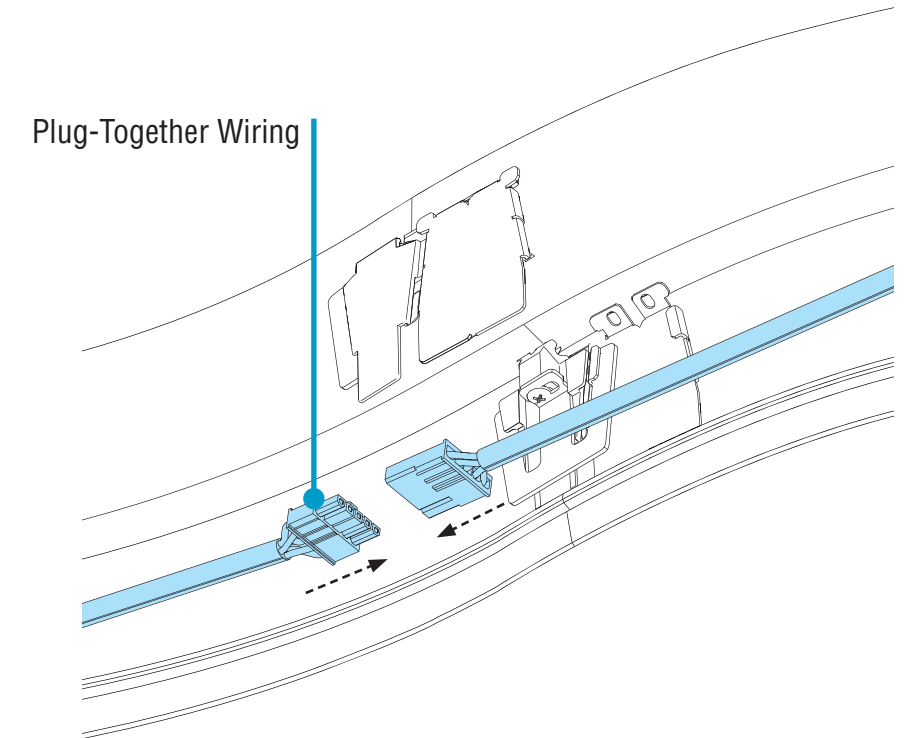
HP-4 Recessed Spackle Flange Curved Installation Instructions

Step 6 - Securing Luminaire Joints

A. Secure Joint with Yoke Brackets Bottom-Up View

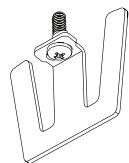


B. Make Electrical Connections Bottom-Up View



- **NOTE:** Curved to straight uses the same joining method as curved to curved (shown).
- Before installing yoke brackets, ensure the joining ends of luminaires meet flush and square.
- **CRITICAL:** Ensure yoke brackets properly engage with aligner sleeves.
- Secure **all** joints by using a screwdriver¹ to tighten yoke screws through yoke brackets and washers and into the aligner sleeves until joint seam of luminaire is closed.

- Connect plug-together wiring.



Yoke Bracket w/ Screw and Washer
#10-32 x 5/8" (provided)

¹ Screwdriver with 6" bit required.



Curved Joints



Simple Plug-Together Wiring

HP-4 Recessed Spackle Flange Curved Installation Instructions

Step 7 - Closing Luminaires

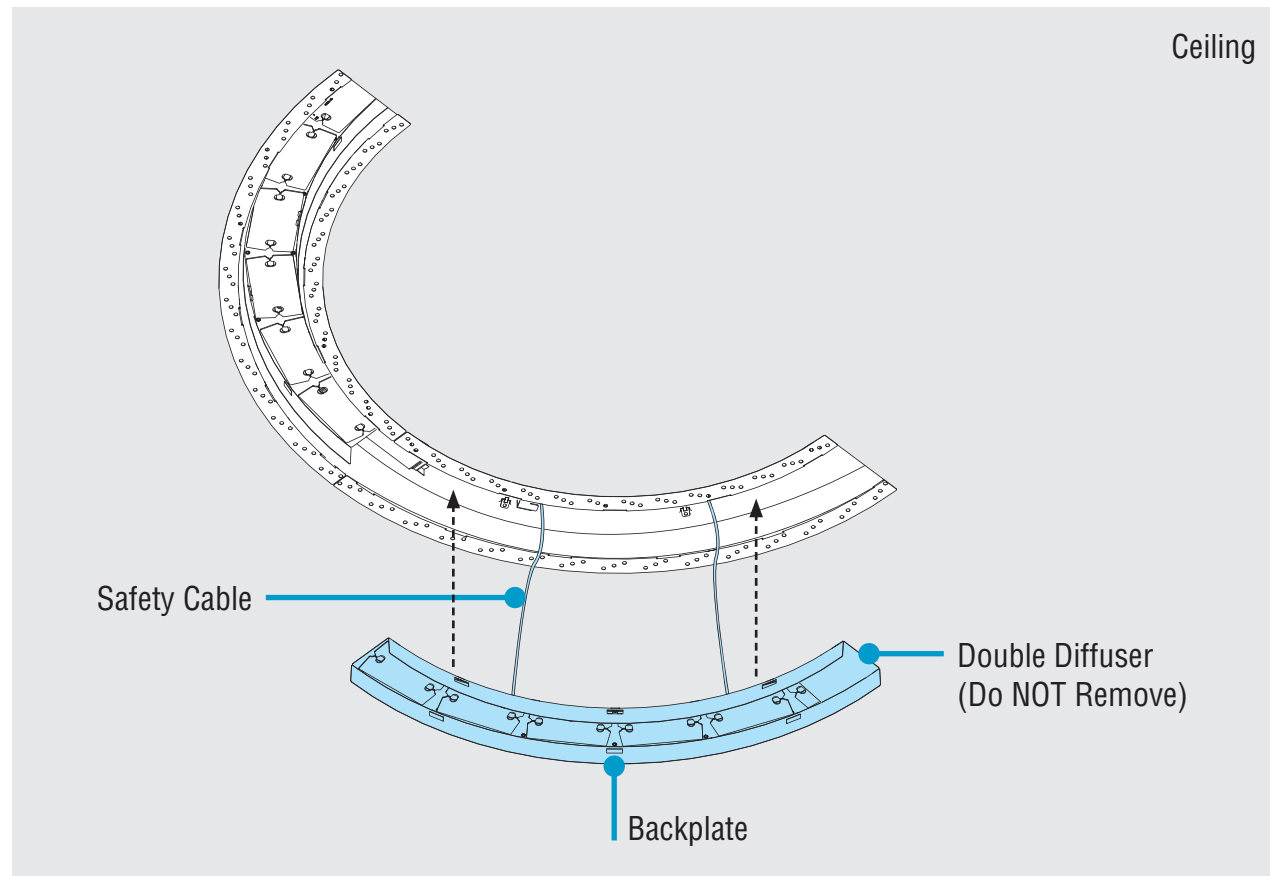
A. Replace Backplates Bottom-Up View

Curved



CAUTION

Be careful when replacing backplates. There may be preinstalled double diffusers that should stay in place.



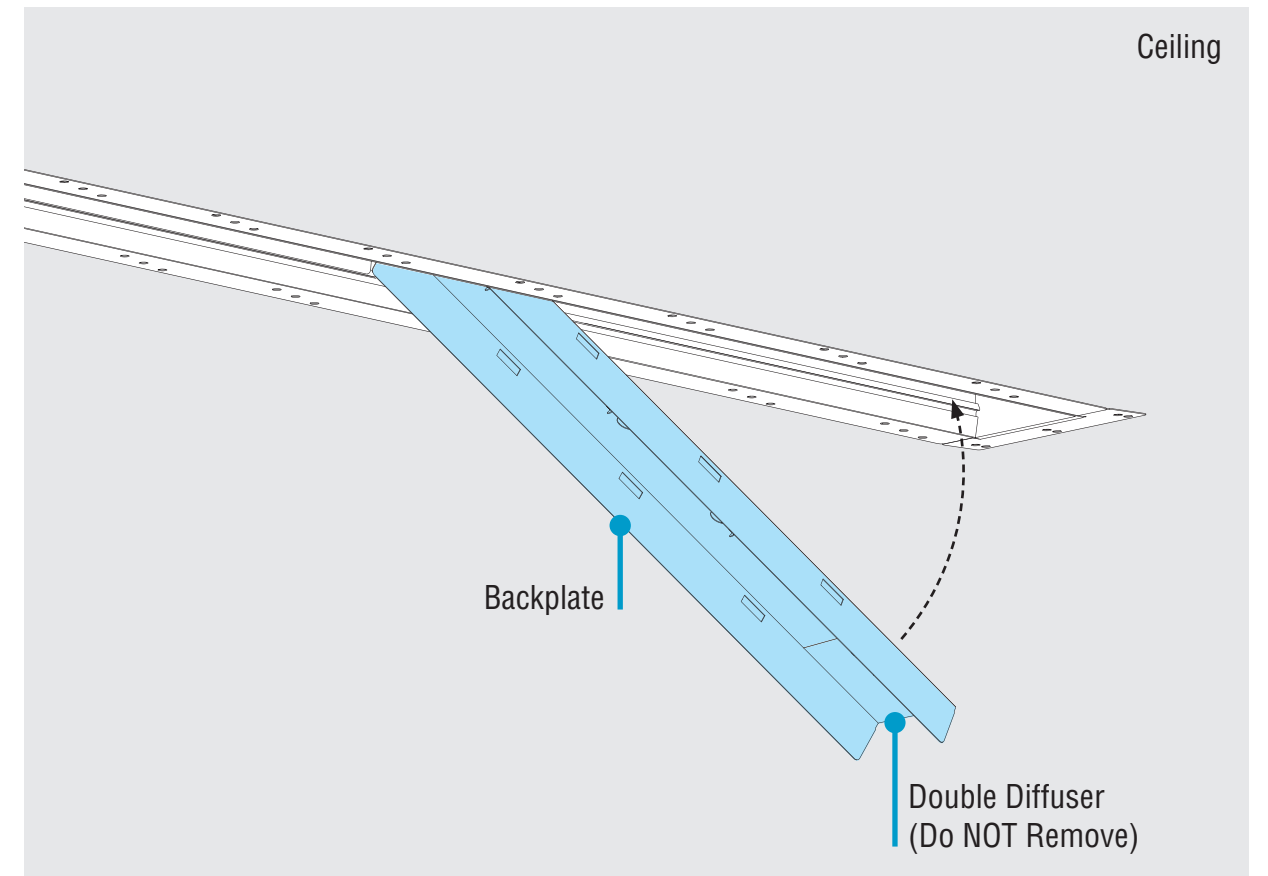
- **CAUTION:** Be careful when replacing backplates. There may be preinstalled double diffusers that should stay in place.
- Reinstall curved backplates by pushing up into luminaire body and snapping back into clips.

Straight



CAUTION

Be careful when replacing backplates. There may be preinstalled double diffusers that should stay in place.



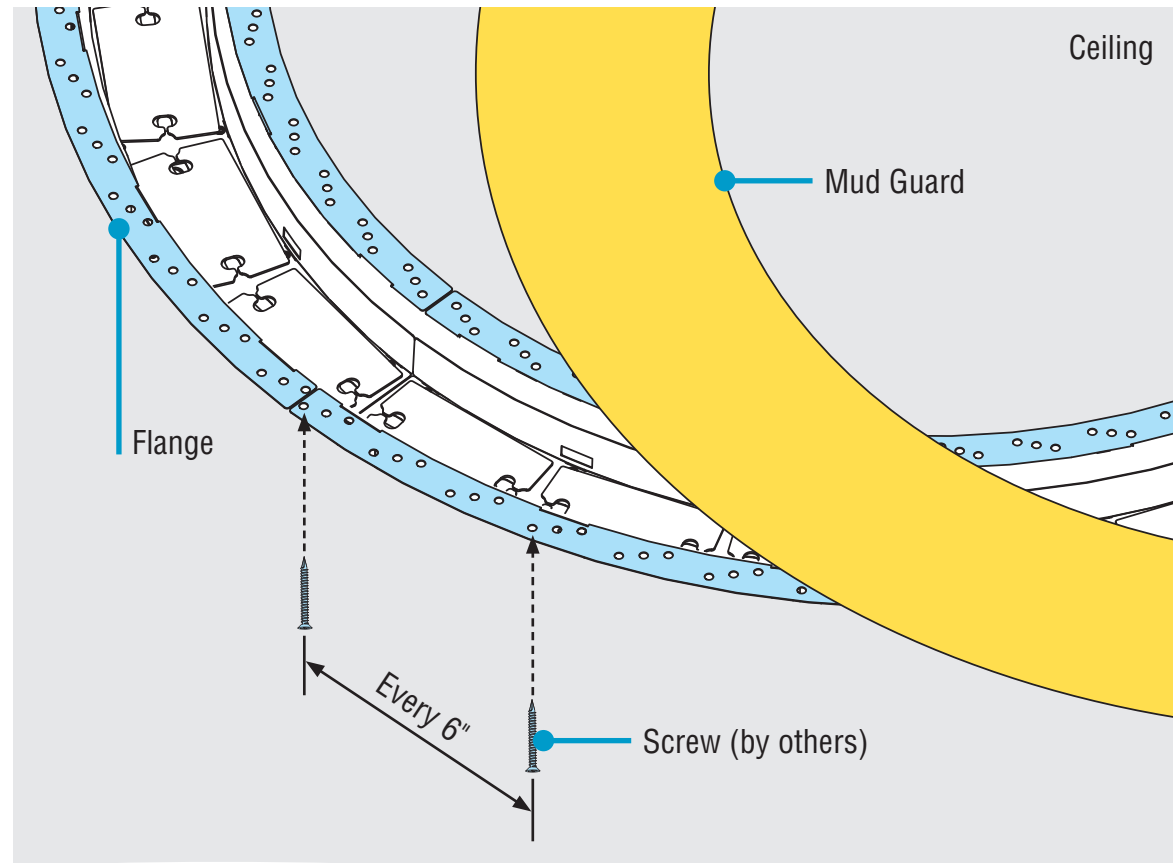
- **CAUTION:** Be careful when replacing backplates. There may be preinstalled double diffusers that should stay in place.
- Reinstall straight backplates by rotating into luminaire body and snapping back into clips.

HP-4 Recessed Spackle Flange Curved Installation Instructions

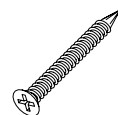
Step 7 - Closing Luminaires

B. Secure Flange To Structure Bottom-Up View

Curved



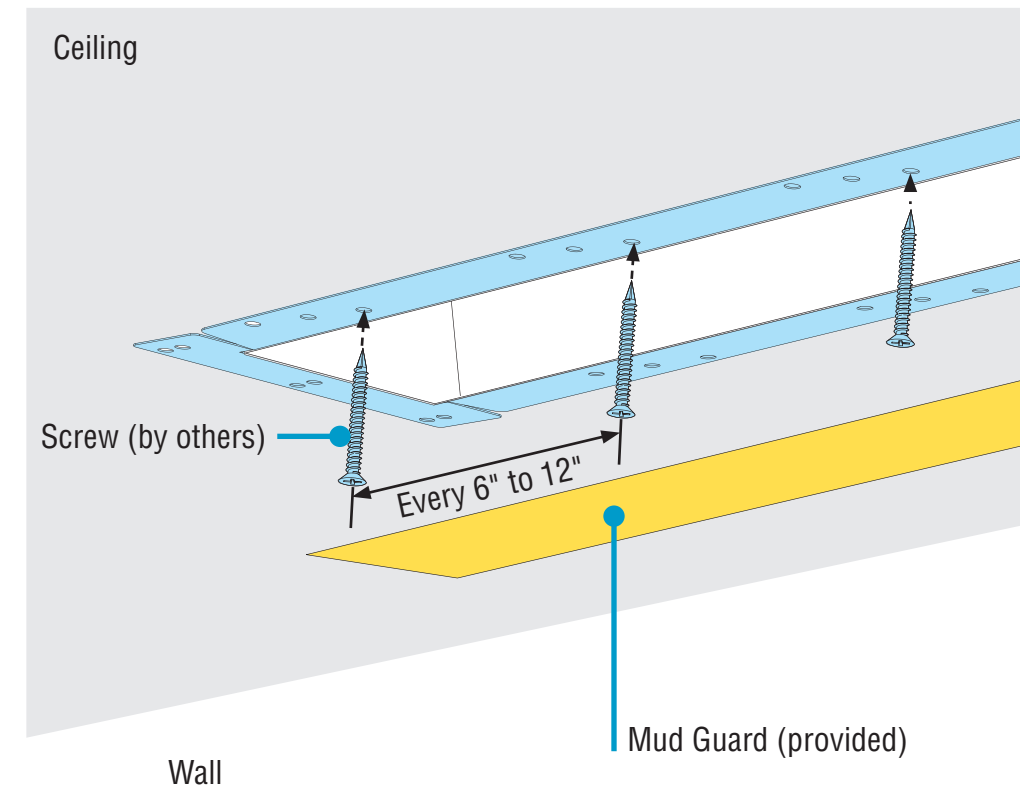
- Secure flanges to ceiling using appropriate screws or fasteners¹ for hard surface, per local building codes.
- Install mud guard to help prevent spackle and paint from getting into luminaire.



Screws/Fasteners
(by others)

¹ Screws or fasteners = drywall - drywall screws, wood - wood screws, etc.

Straight



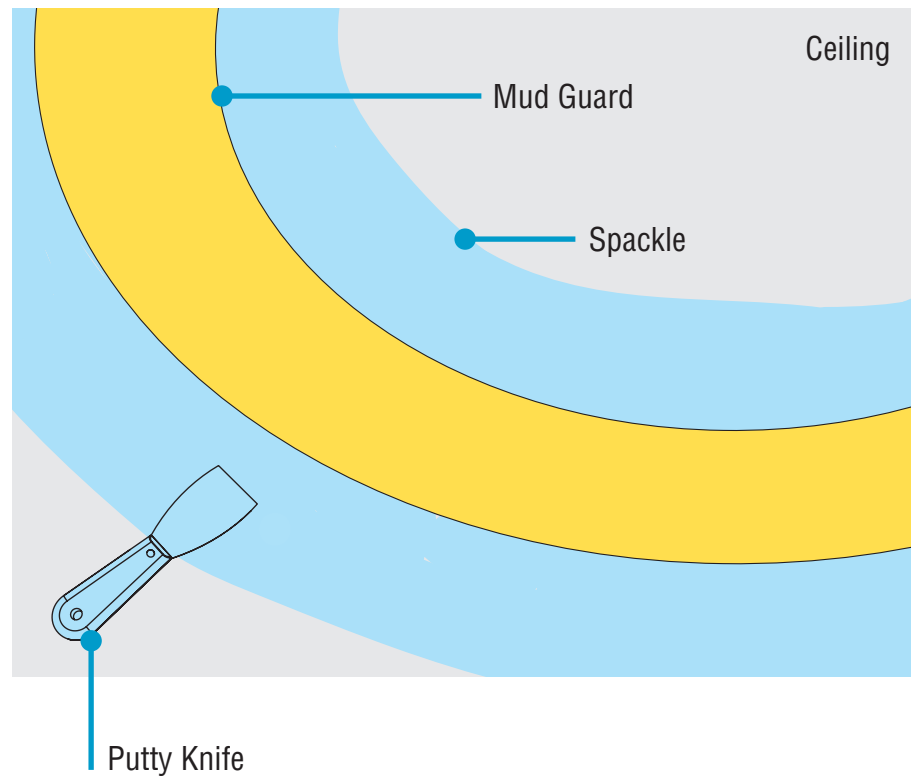
- Secure flanges to ceiling using appropriate screws or fasteners¹ for hard surface, per local building codes.
- Install mud guard to help prevent spackle and paint from getting into luminaire.

HP-4 Recessed Spackle Flange Curved Installation Instructions

Step 7 - Closing Luminaires

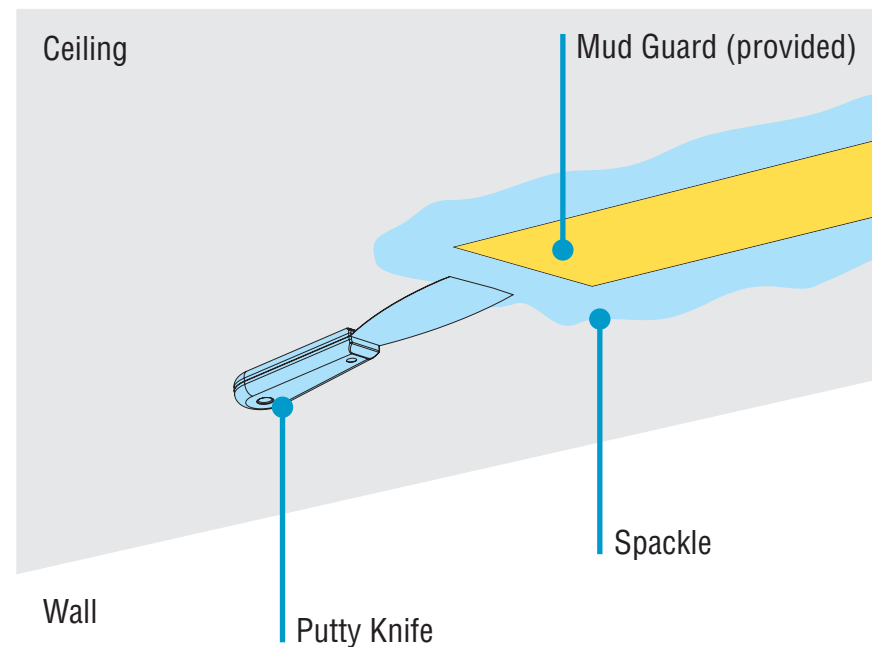
C. Apply Spackle Bottom-Up View

Curved



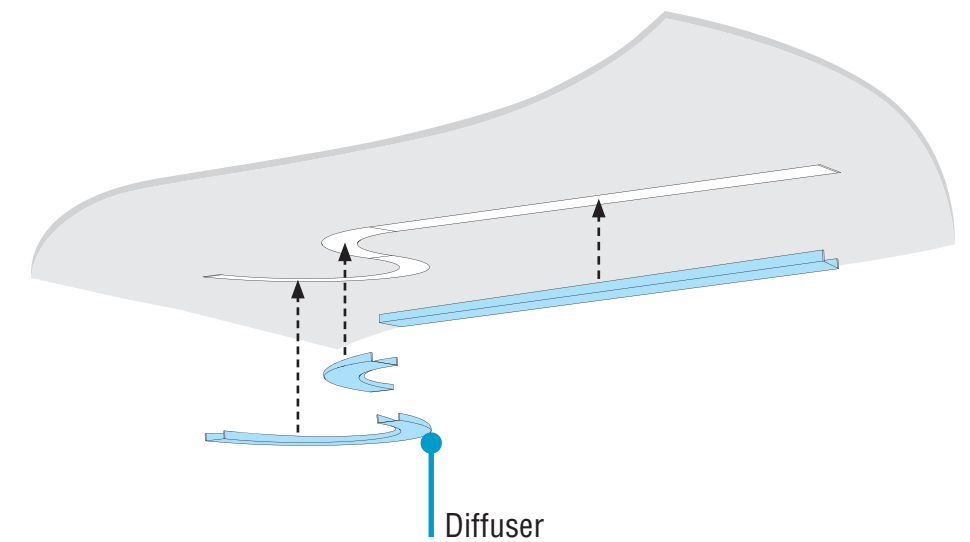
- Spackle and paint over flanges up to luminaire edge.
- **CAUTION:** Careful not to drop spackle into luminaire. Immediately wipe off excess spackle that may have gotten onto luminaire edges.
- Perform all spackling and painting to ceiling prior to removing mud guard.
- Remove all mud guards.

Straight



- Spackle and paint over flanges up to luminaire edge.
- **CAUTION:** Careful not to drop spackle into luminaire. Immediately wipe off excess spackle that may have gotten onto luminaire edges.
- Perform all spackling and painting to ceiling prior to removing mud guard.
- Remove all mud guards.

D. Replace Diffusers Bottom-Up View



- **NOTE (STRAIGHT LUMINAIRE ONLY):** If your installation includes a battery backup, please see addendum (98333) that should be included with your kitting package.
- **FOR SENSOR (STRAIGHT LUMINAIRE ONLY):** If luminaire contains a sensor at endcap, refer to page 3 of Sensor Addendum before Closing Luminaires.
- **CAUTION:** Wear gloves to keep diffuser surface clean.
- **CRITICAL:** Be sure to install correct diffuser to its corresponding luminaire ID.
- Carefully remove diffusers from protective plastic bag.
- Install diffusers by snapping into place.
- Turn power on to luminaire.