

HP-4 Direct Curved Installation Instructions

Overview

NOTES

- All power connections should be installed according to local/national codes by a Certified Electrician.
- This installation requires **proper support** as each luminaire is being installed.
- **DO NOT attempt to join luminaires together on the floor.** Damage may result when lifted.



HELPFUL
VIDEOS



0-10V
Dimming



Effortless
Access



Curved
Joints



Simple
Plug-Together
Wiring

Step 1
Mounting & Suspension
Pages 2-3

Step 2
Identification & Preparation
Page 4

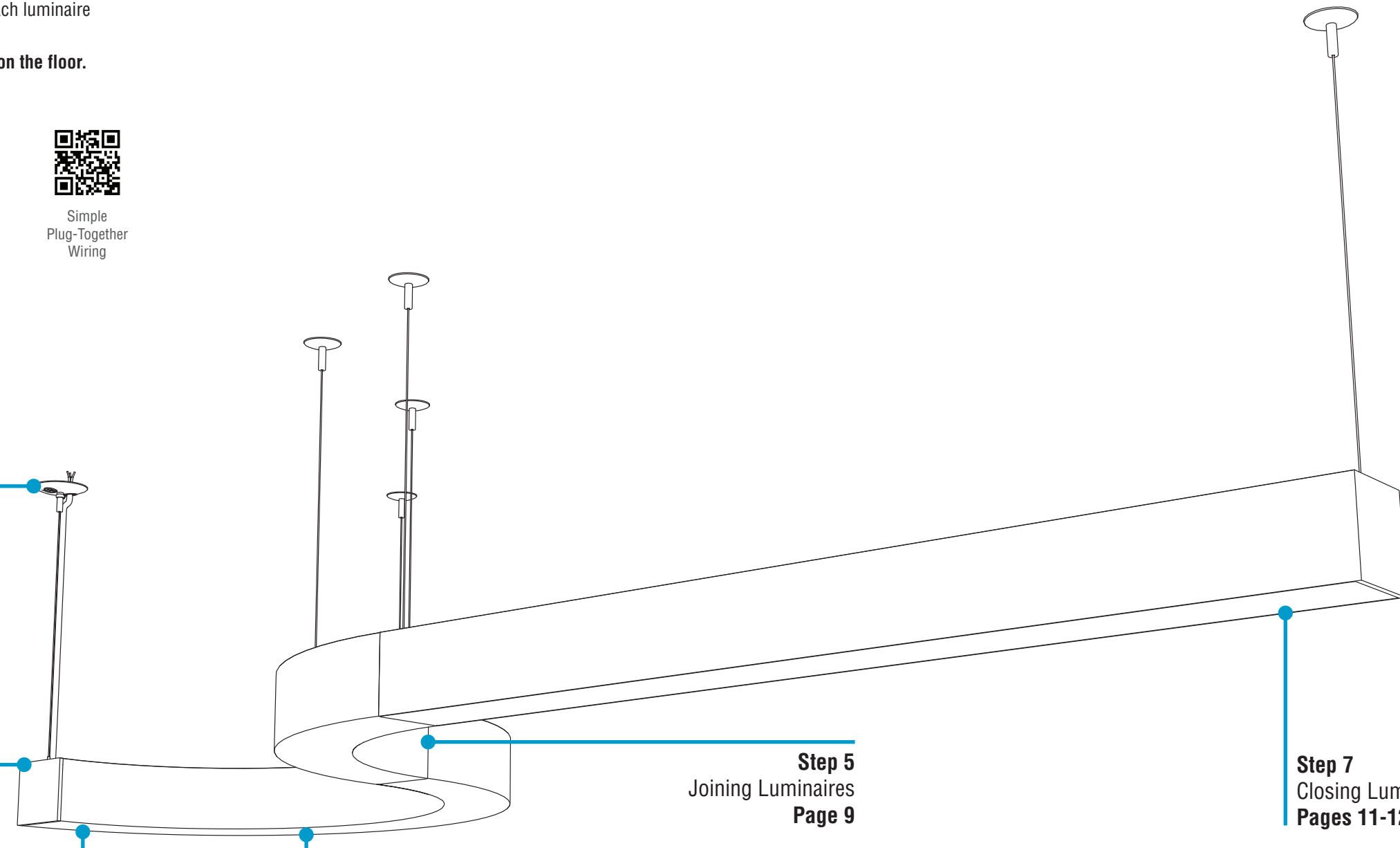
Step 3
Opening Luminaires
Pages 5-6

Step 4
Mounting Luminaires to Structure
Pages 7-8

Step 5
Joining Luminaires
Page 9

Step 6
Securing Luminaire Joints
Page 10

Step 7
Closing Luminaires
Pages 11-12



HP-4 Direct Curved Installation Instructions

Step 1 - Mounting & Suspension

Mounting Options

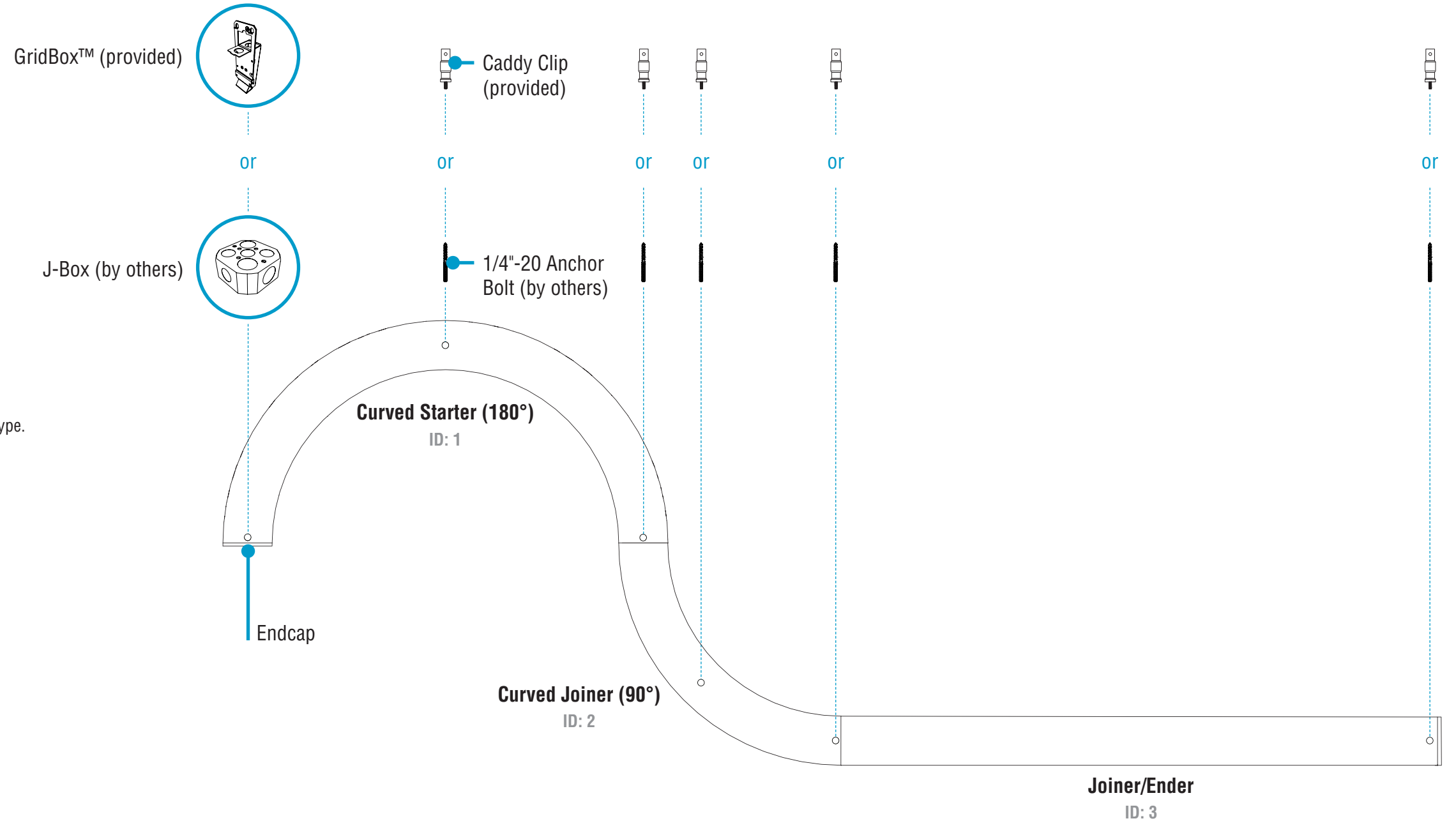
Option 1 T-Bar Mounting - GridBox™ and Caddy Clips

- Install GridBox™ and electrical conduit at feed locations.
- Install caddy clips at mounting point locations.
- All caddy clips are to be secured to structure, per local building codes.

Option 2 Drywall (C4) or other hard surfaces* - J-Box and Anchor Bolts

- Install J-Box and electrical conduit at feed locations.
- Install anchor bolts at mounting point locations.
- All anchor bolts are to be secured to structure, per local building codes.

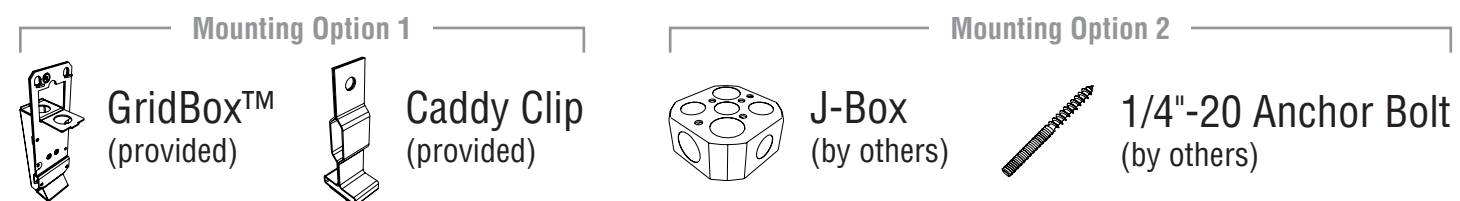
* Other hard surfaces include: wood, sheet metal panels, steel beams, concrete or masonry. Use hardware appropriate for each surface material type.



Suspension Locations

Refer to Record Drawings and building plans to determine exact mounting, suspension points, and power feed locations.

Use drawings on page 3 as measurement references.



CONTINUED

HP-4 Direct Curved Installation Instructions

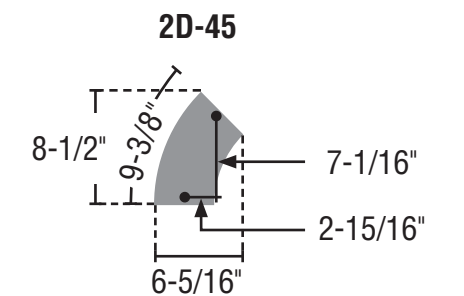
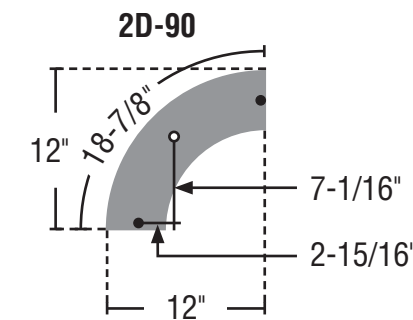
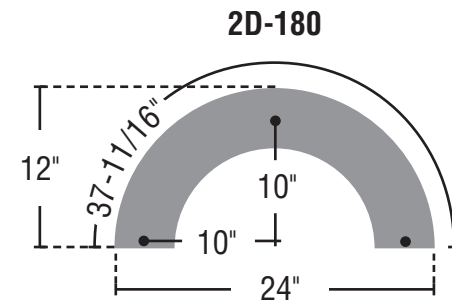
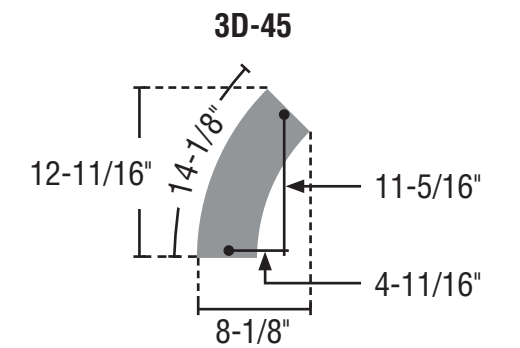
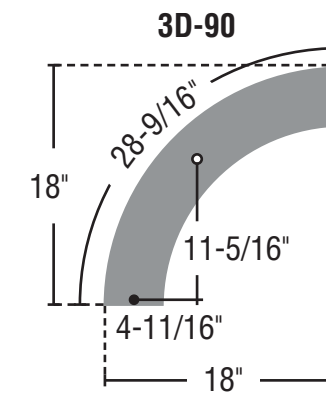
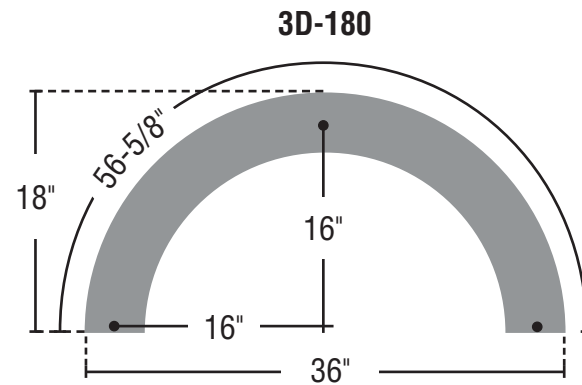
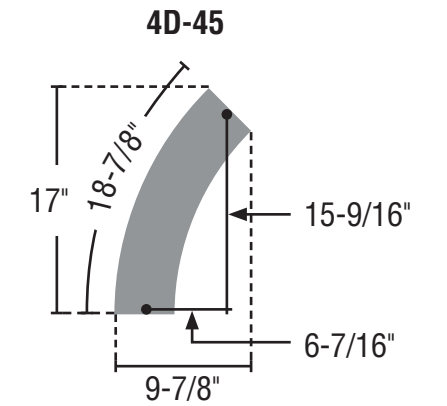
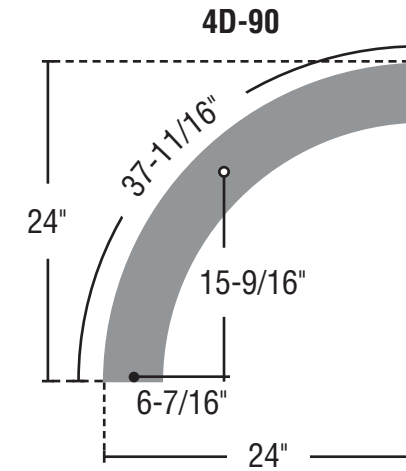
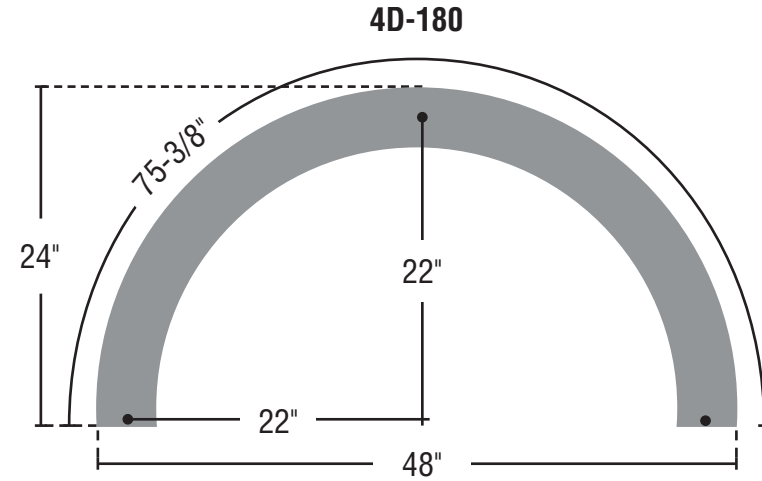
Step 1 - Mounting & Suspension

Suspension Locations

Refer to Record Drawings and building plans to determine exact mounting, suspension points, and power feed locations.

- = Suspension point
- = Additional suspension point for non-standard configurations

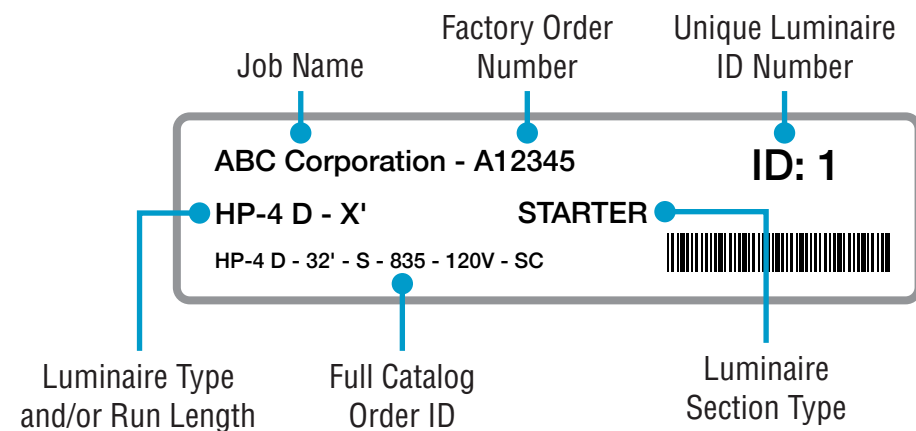
NOTE: These drawings are not to scale.



HP-4 Direct Curved Installation Instructions

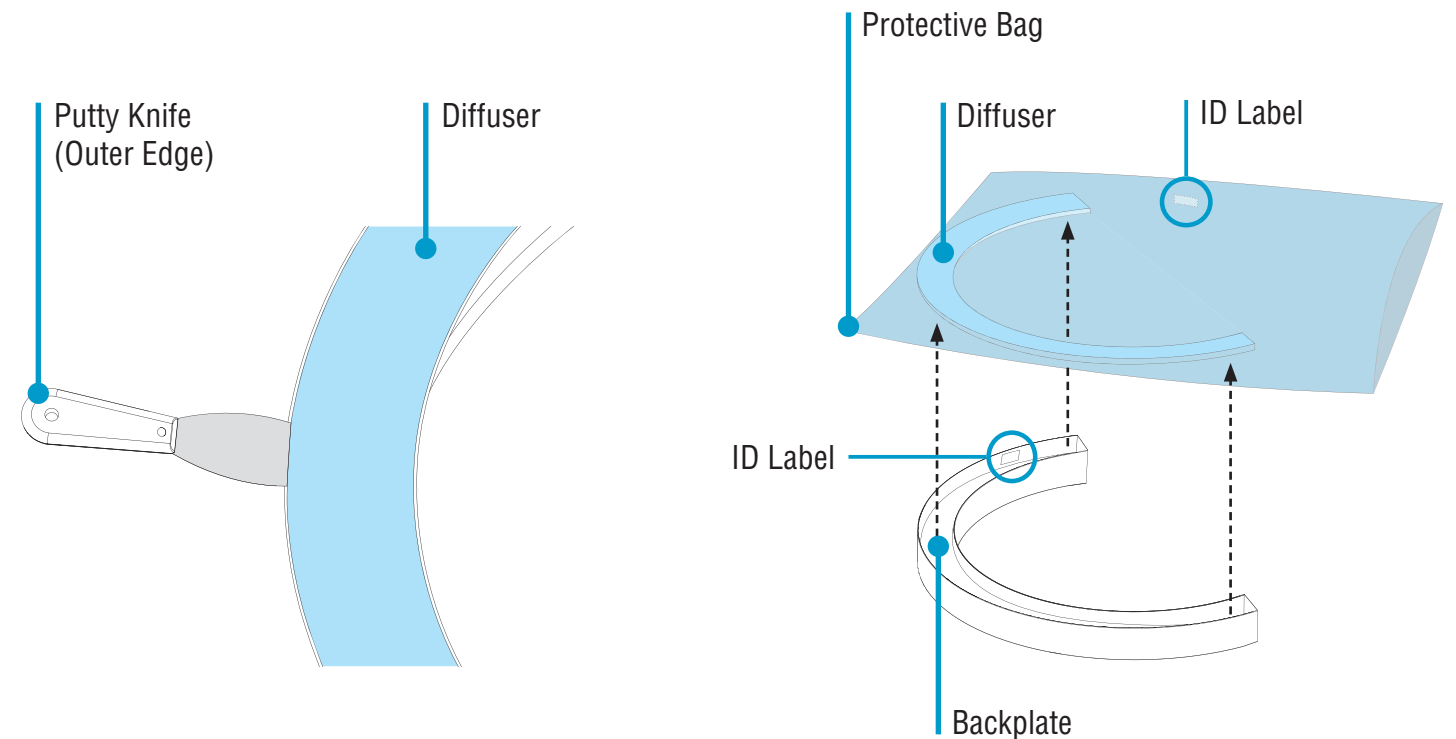
Step 2 - Identification & Preparation

A. Identify Luminaires



- Identify all luminaires by their ID label that can be found on the box and inside the luminaire.
- NOTE:** Exact location of labels in these areas may vary.
- Remove all luminaires from their box.
- Refer to Record Drawings that can be found in the hardware kit.

B. Remove Diffuser Top-Down View



- NOTE:** Maximum width of putty knife is 2 inches.
- 1.** To release diffuser, carefully slide putty knife between outer edge of diffuser and luminaire.
- 2.** Then, directly across from you carefully slide putty knife between inner edge of diffuser and luminaire.
- 3.** Work your way around outer edge of diffuser to fully release it from luminaire.
- Keep diffuser inside protective bag.
- Set aside diffuser to prevent it from getting dirty or damaged.
- Ensure diffuser can be clearly identified back to corresponding luminaire.

Kitted Hardware

- Finelite has provided items listed here, with their Finelite part numbers. These items can be found in separate boxes shipped with the luminaire.
- Account for all parts and set aside until they are needed.
- All other hardware needed for this installation will be by others.

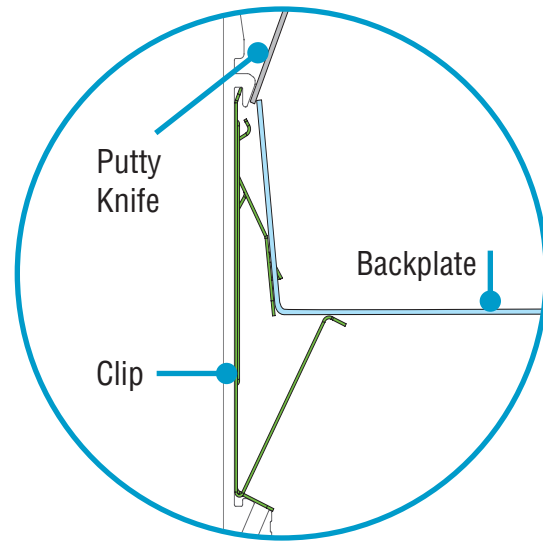
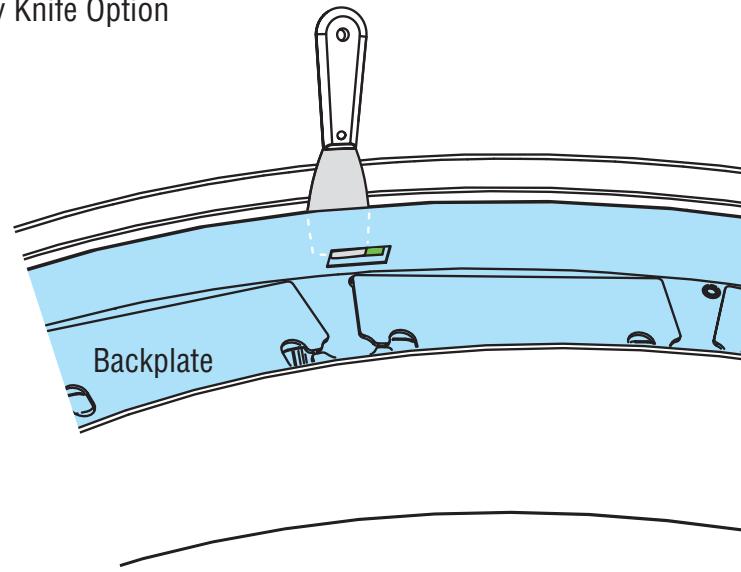
Mounting Option 1		Mounting Option 2		Cable Bushing Part# 94014	Slip Ring w/ Set Screw Part# 94015 Mounting Luminaires to Structure p. 7, Step 3	Safety Crimp Part# 94514 Closing Luminaires p. 11, Step 7
 GridBox™ Part# 89159	 3-1/2" Canopy Part# 89191	 5" Canopy Part# 94085	 5" Dual Feed Canopy Part# 94145 Mounting Luminaires to Structure p. 7-8, Step 3	 Aircraft Cable 50" - Part# 94515-12 (Std.) 100" - Part# 94515-14 150" - Part# 94515-18 Mounting Luminaires to Structure p. 7, Step 3 Closing Luminaires p. 11, Step 7	 Yoke Bracket Part# 47130	
 Dual GridBox™ Part# 89199 Mounting & Suspension p. 2, Step 1 Mounting Luminaires to Structure p. 8, Step 3	 3-1/2" Dual Feed Canopy Part# 89192 Mounting Luminaires to Structure p. 7-8, Step 3	 2" Drywall Support Canopy Part# 94017 Mounting Luminaires to Structure p. 7, Step 3			 Washer Part# 94111	
 Caddy Clip C1 Ceiling - Part# 94001 C2 Ceiling - Part# 94020 C3 Ceiling - Part# 94029 Mounting & Suspension p. 2, Step 1	 2" T-Bar Support Canopy Part# 89193 Mounting Luminaires to Structure p. 7, Step 3				 #10-32 x 5/8" Screw Part# 94144 Securing Luminaire Joints p. 10, Step 6	

HP-4 Direct Curved Installation Instructions

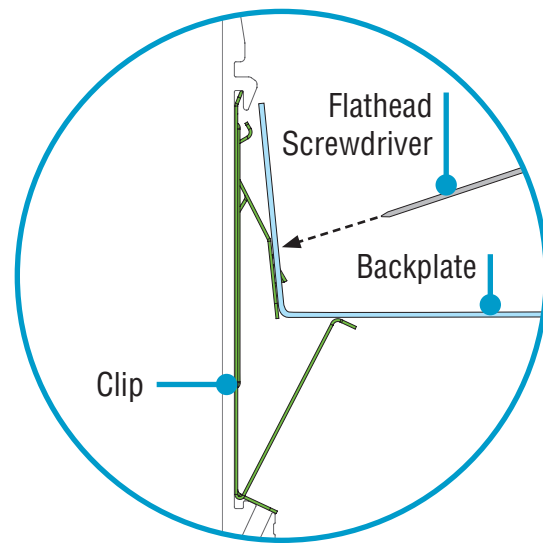
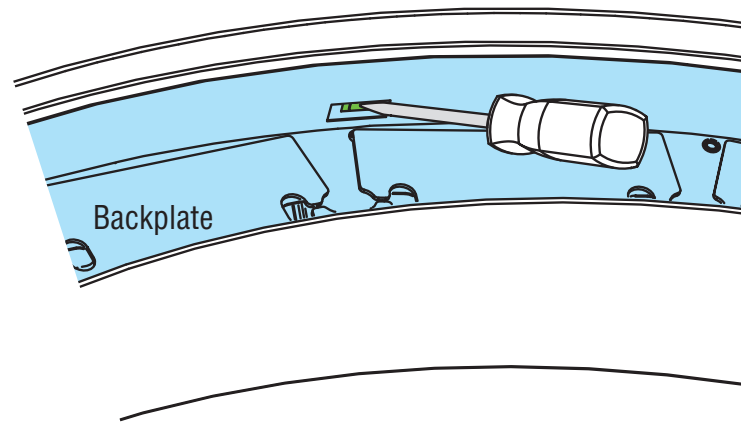
Step 3 - Opening Curved Luminaires

Release Curved Backplates Top-Down View

Putty Knife Option

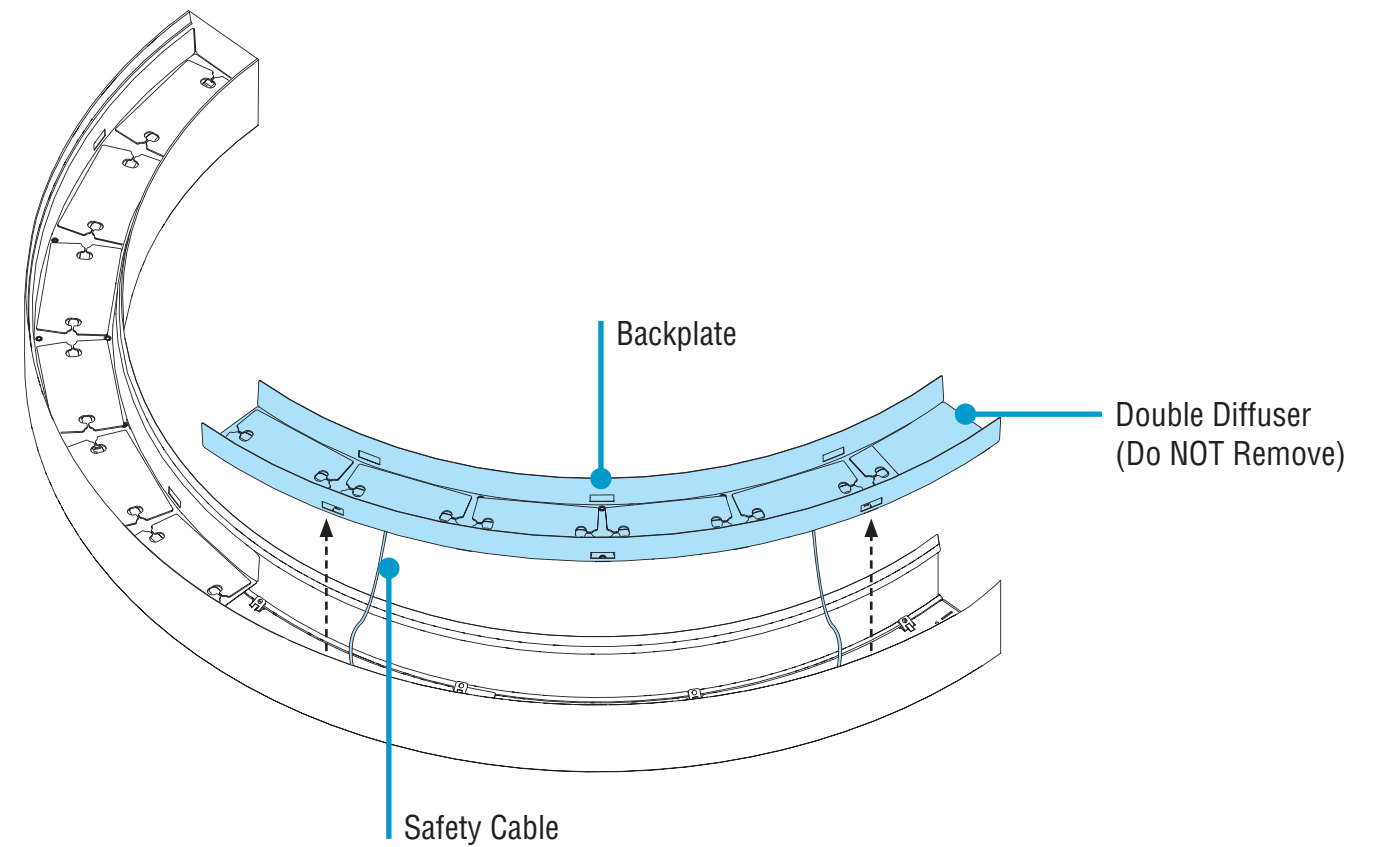
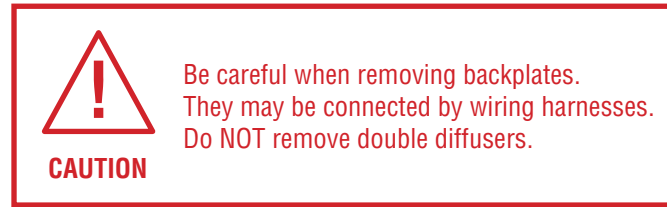


Flathead Screwdriver Option



- Release backplates from clips by sliding the blade of a putty knife behind backplate edges.
- To use a flathead screwdriver: From inside backplate, press end of screwdriver against the clip until the backplate is released.

Top-Down View



- **CAUTION:** Be careful when removing backplates. They may be connected by wiring harnesses. Do NOT remove double diffusers.
- Carefully remove backplates.
- Keep backplates hanging with safety cables connected.

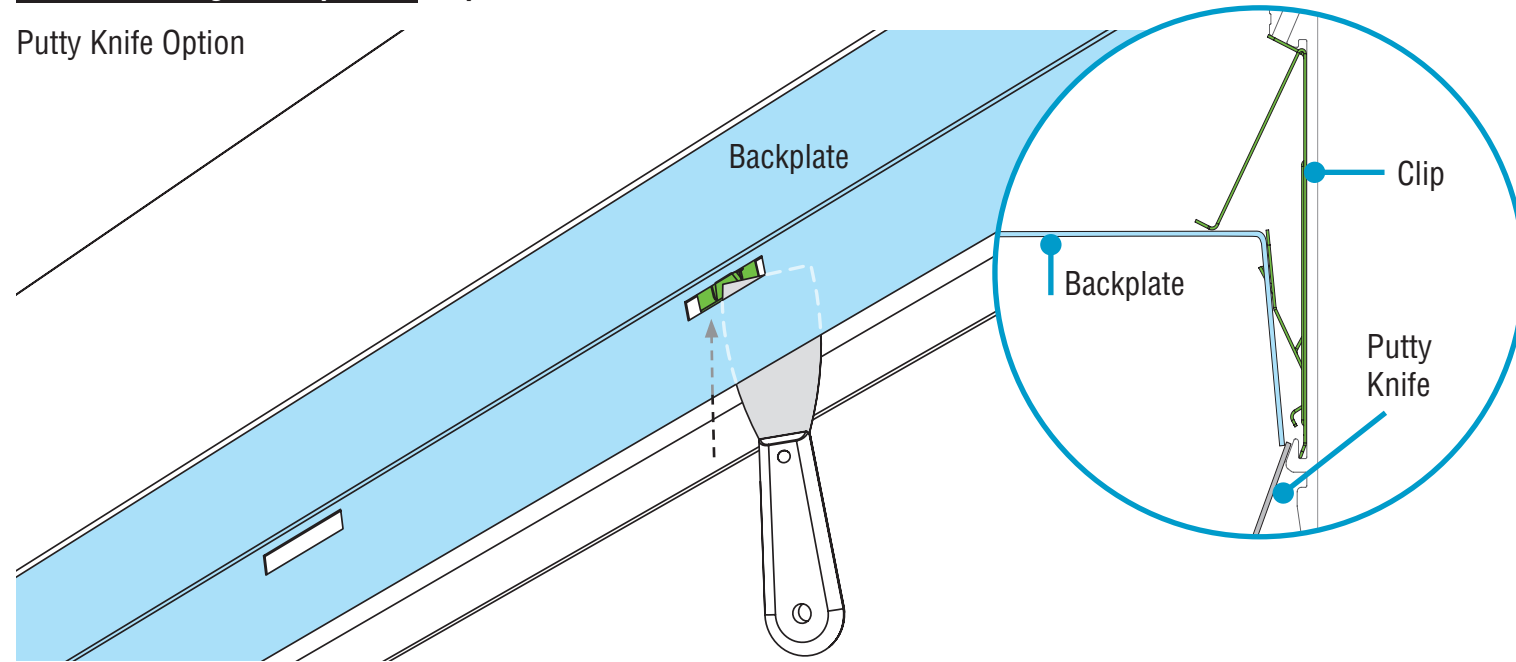
CONTINUED

HP-4 Direct Curved Installation Instructions

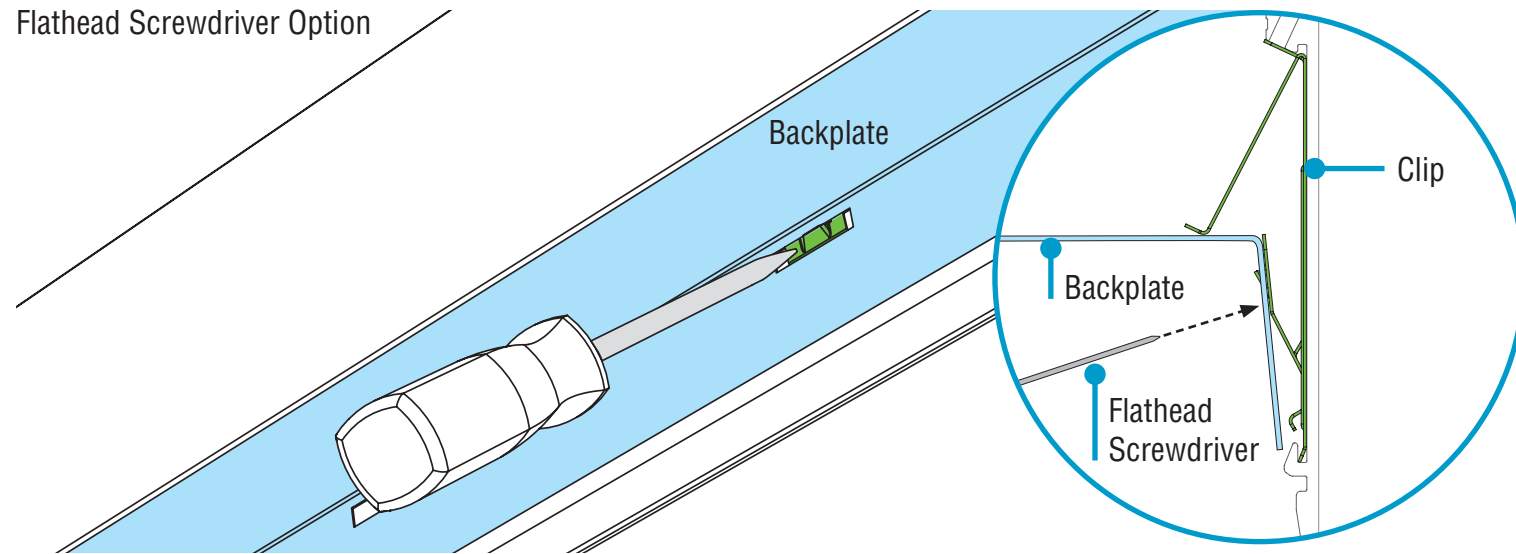
Step 3 - Opening Straight Luminaires

Release Straight Backplates Top-Down View

Putty Knife Option



Flathead Screwdriver Option

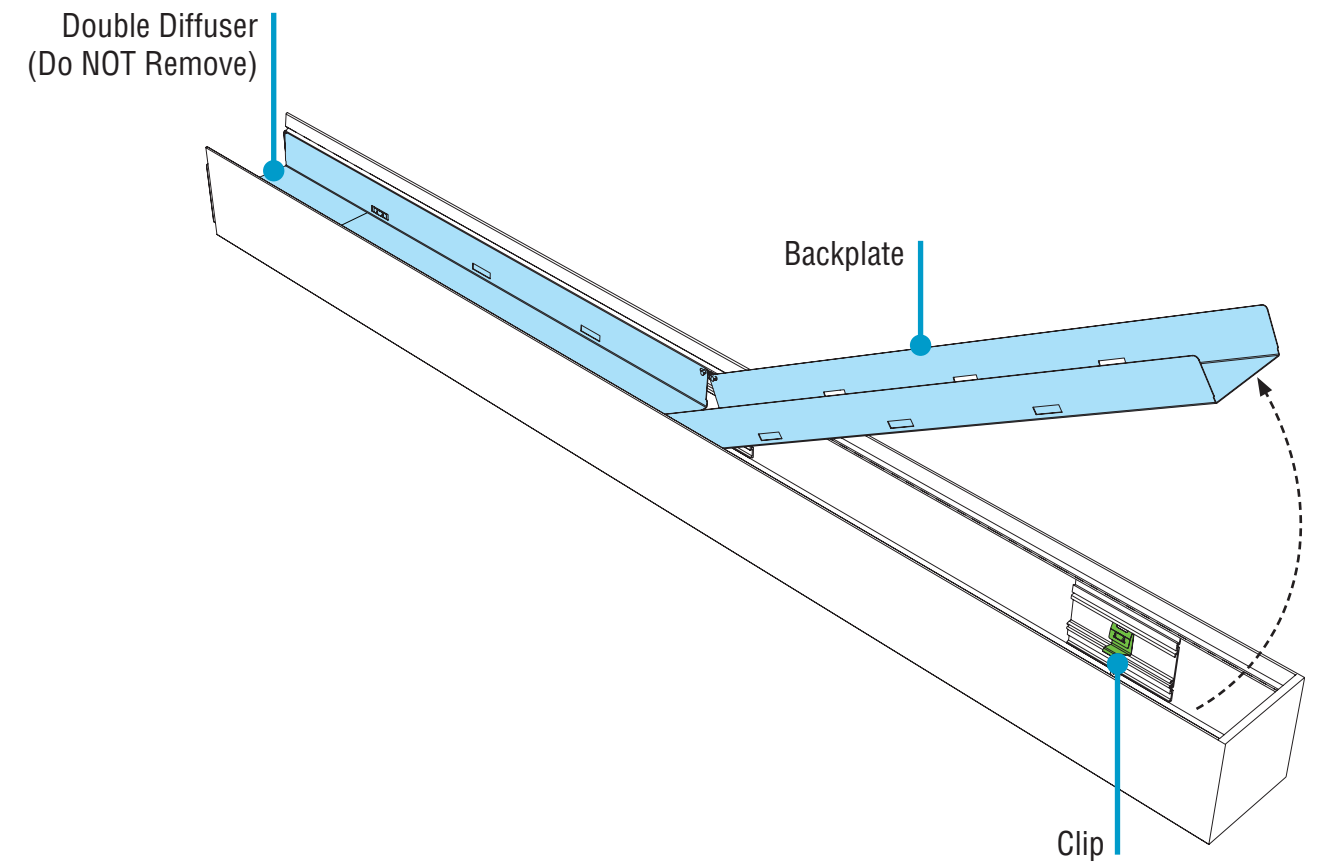


- Release the backplates from clips by sliding the blade of a putty knife behind backplate edges.
- To use a flathead screwdriver, press end of screwdriver (from inside the luminaire) against the clip, until the backplate is released.

Top-Down View



Double Diffuser
(Do NOT Remove)



- **CAUTION:** Be careful when releasing backplates. Do NOT remove double diffusers.
- Carefully rotate backplate out **at the joint only** and let it hang from luminaire body.



Effortless
Access

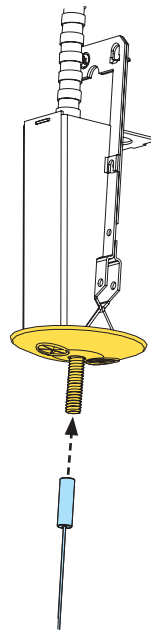
HP-4 Direct Curved Installation Instructions

Step 4 - Mounting Luminaires to Structure

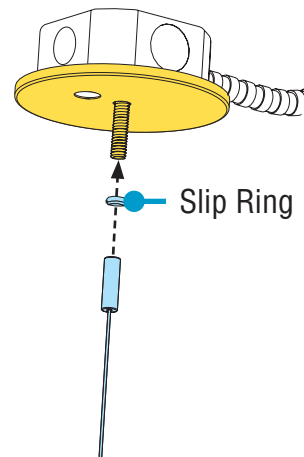
A. Mount Luminaires to Structure

Electrical Options

Option 1
GridBox™

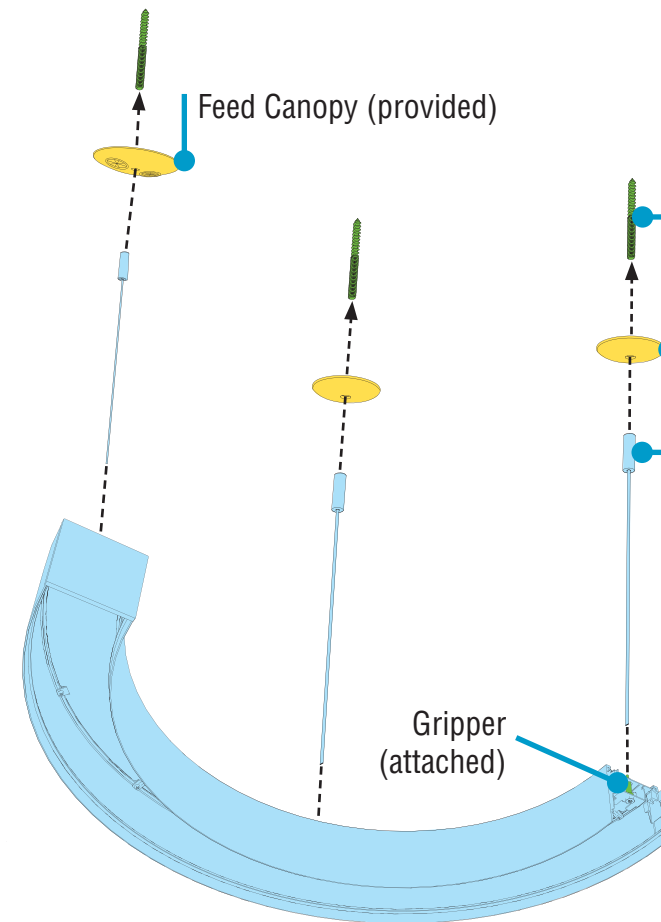


Option 2
J-Box



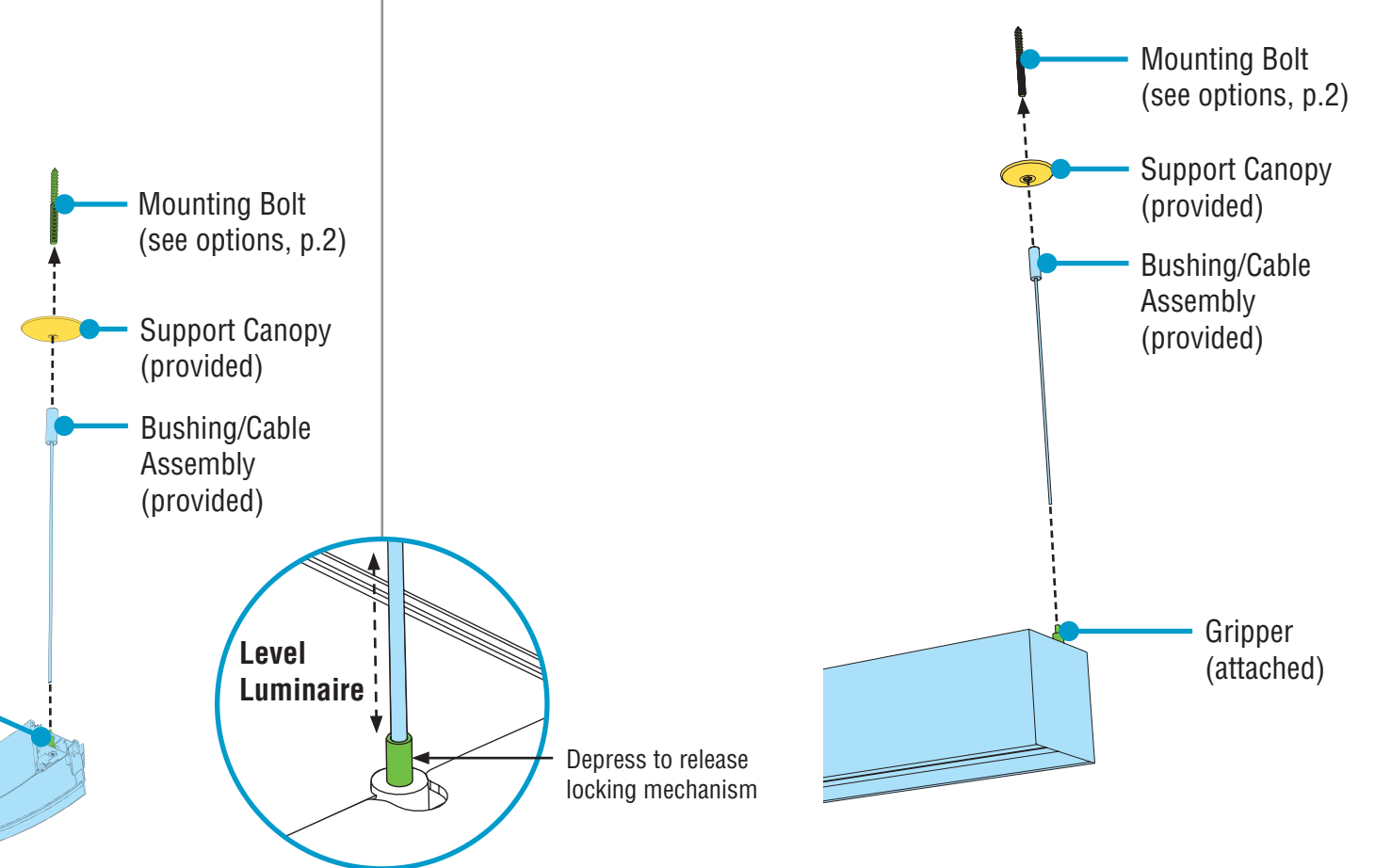
- Determine which electrical option will be used.

Curved Starter

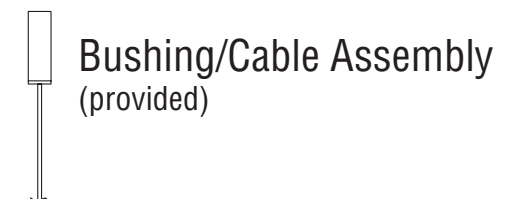
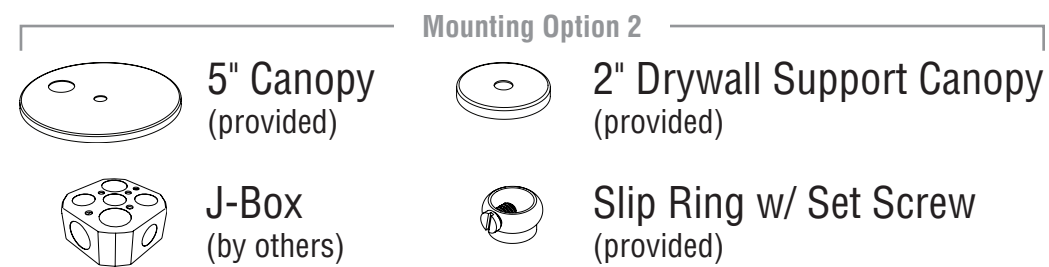
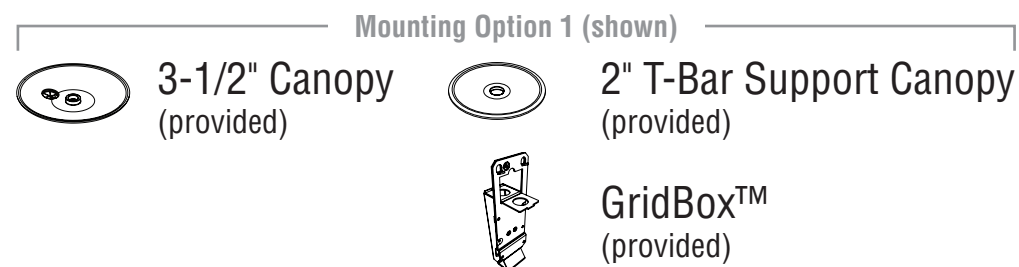


- Slide canopy appropriate for electrical type options onto mounting bolt (anchor bolt or caddy clip bolt).
- (Option 2 only)** Thread the slip ring onto anchor bolts and secure with set screw at mounting locations.
- Thread the bushing/cable assembly onto mounting bolts.
- While properly supporting luminaires, maneuver luminaires to ceiling and insert cables into cable grippers to support luminaires from ceiling.
- Level each luminaire to desired height by depressing top of grippers to adjust cable lengths.

Straight Joiner



- Slide canopy appropriate for electrical type options onto mounting bolt (anchor bolt or caddy clip bolt).
- (Option 2 only)** Thread the slip ring onto anchor bolts and secure with set screw at mounting locations.
- Thread the bushing/cable assembly onto mounting bolts.
- While properly supporting luminaires, maneuver luminaires to ceiling and insert cables into cable grippers to support luminaires from ceiling.
- Level each luminaire to desired height by depressing top of grippers to adjust cable lengths.



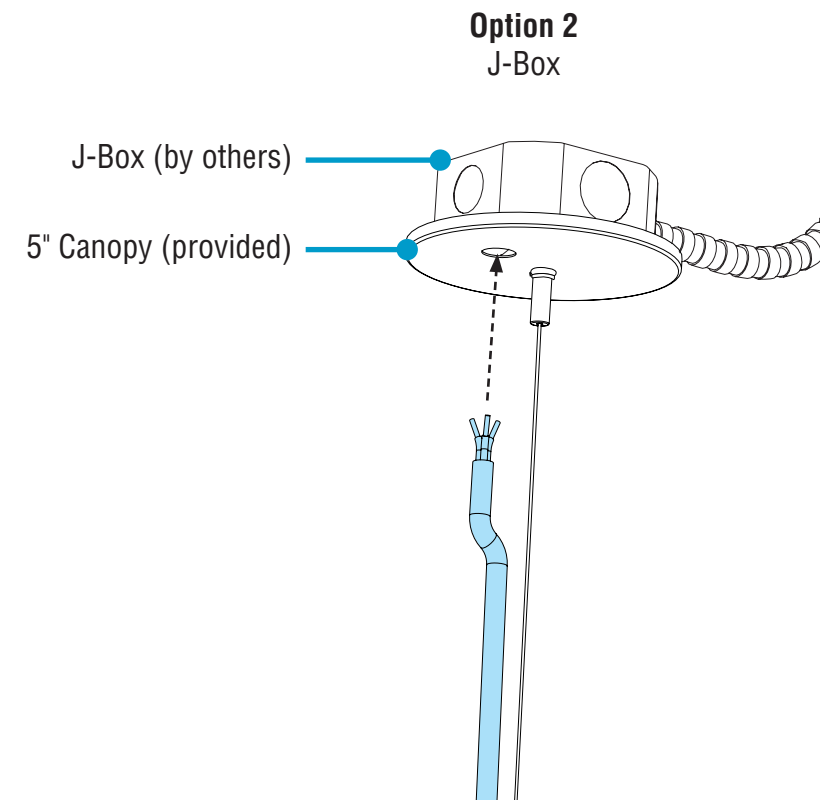
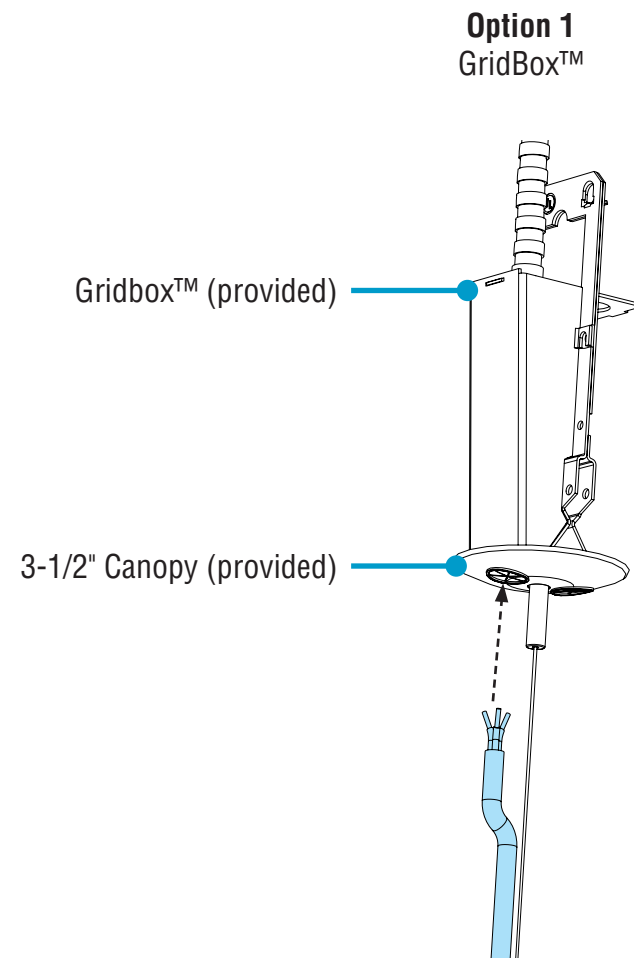
CONTINUED

HP-4 Direct Curved Installation Instructions

Step 4 - Mounting Luminaires to Structure

B. Make Electrical Connections

WIRING LEGEND		
Black	Hot	Line Voltage
White	Neutral	Line Voltage
Green	Ground	
Pink	Dimming	0-10V DC
Purple	Dimming	0-10V DC

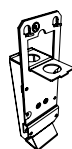


- **(Option 1)** Feed power cord through the 3-1/2" canopy and connect wires inside the GridBox™.
- **(Option 2)** Feed power cord through the 5" canopy and connect wires inside the J-Box.

Mounting Option 1



3-1/2" Canopy
(provided)

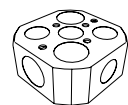


GridBox™
(provided)

Mounting Option 2



5" Canopy
(provided)



J-Box
(by others)



0-10V
Dimming

HP-4 Direct Curved Installation Instructions

Step 5 - Joining Luminaires

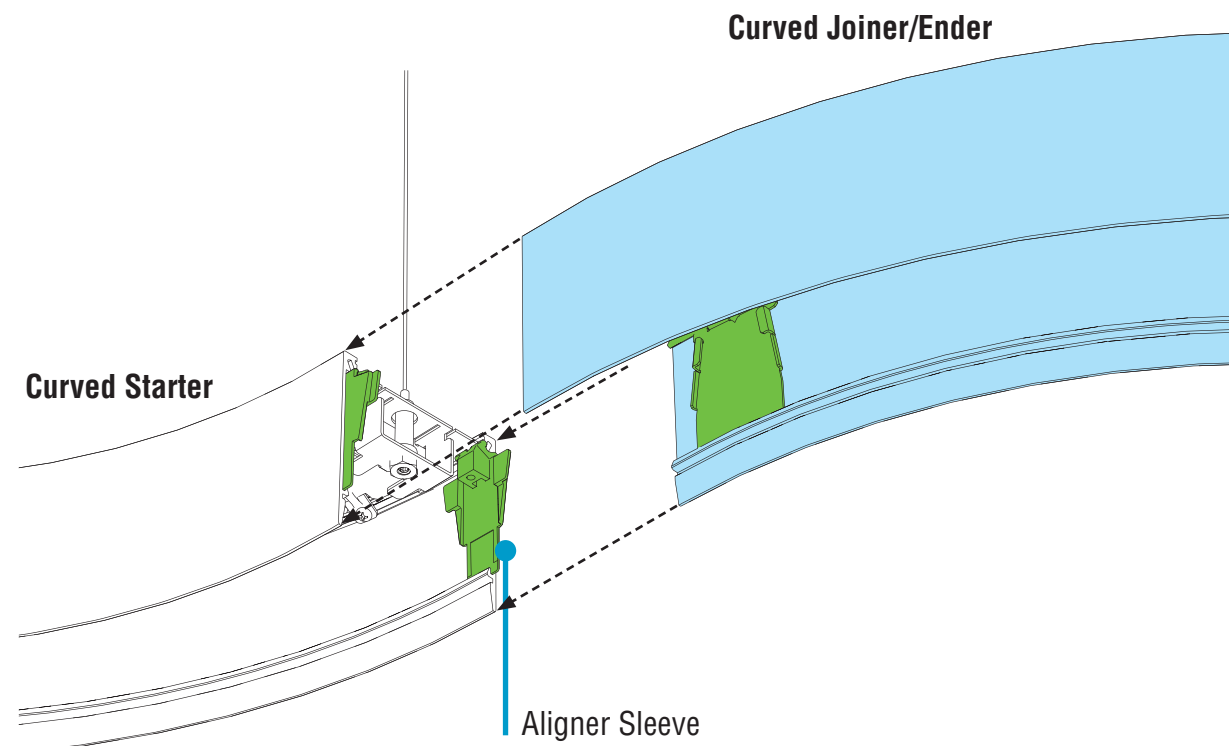
Join Luminaires Bottom-Up View

Curved to Curved



CAUTION

Once luminaires are aligned together, **joiner luminaire is not yet secure.** Ensure it does not slide off as it rests on the curved starter luminaire.



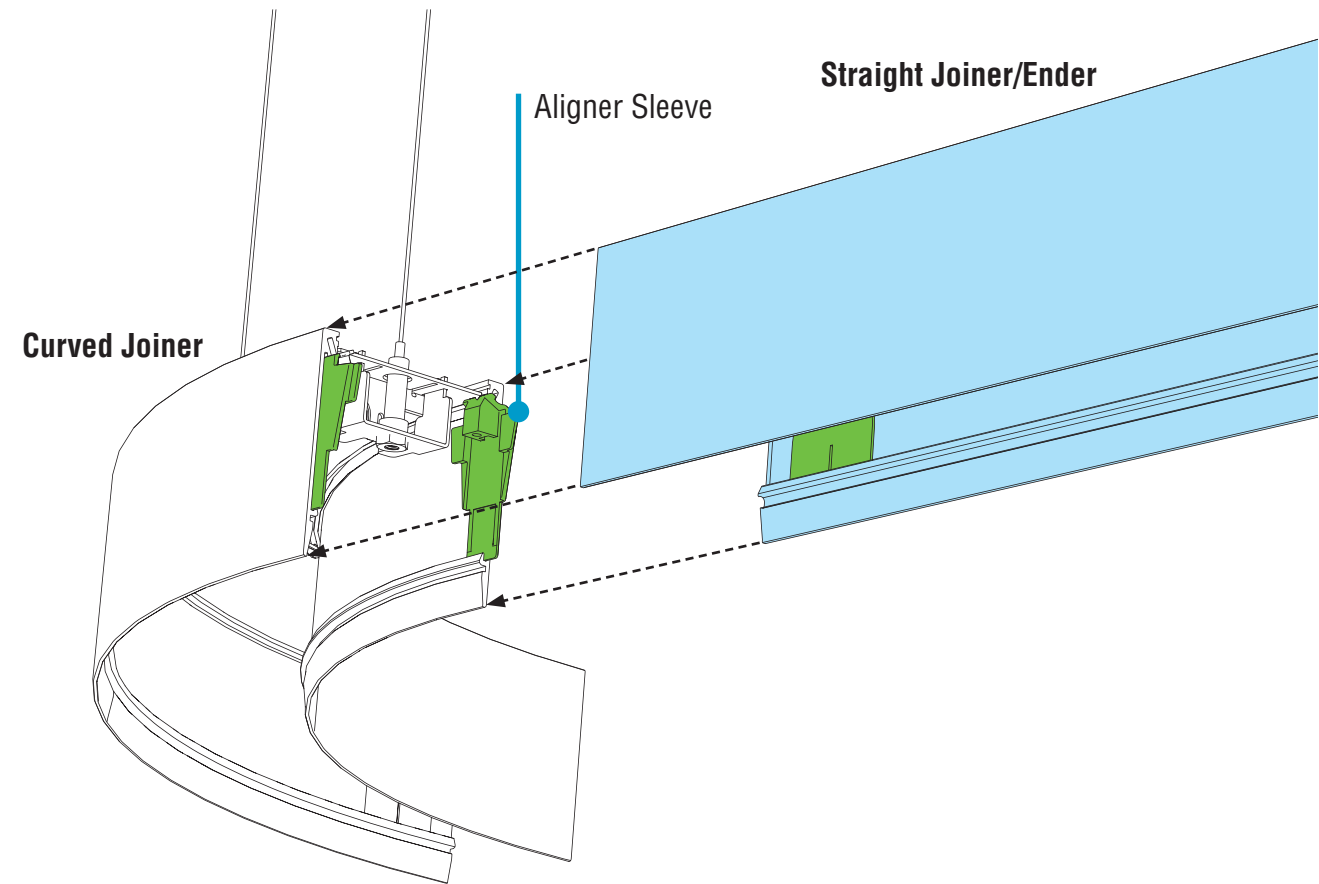
- Align curved joiner/ender with aligner sleeves on curved starter and slide together. Be careful not to damage any wiring.
- If necessary, **lift** both luminaires, then slide together.

Straight to Curved



CAUTION

Once luminaires are aligned together, **joiner luminaire is not yet secure.** Ensure it does not slide off as it rests on the curved joiner luminaire.



- Align straight joiner/ender with aligner sleeves on curved joiner and slide together. Be careful not to damage any wiring.
- If necessary, **lift** both luminaires, then slide together.

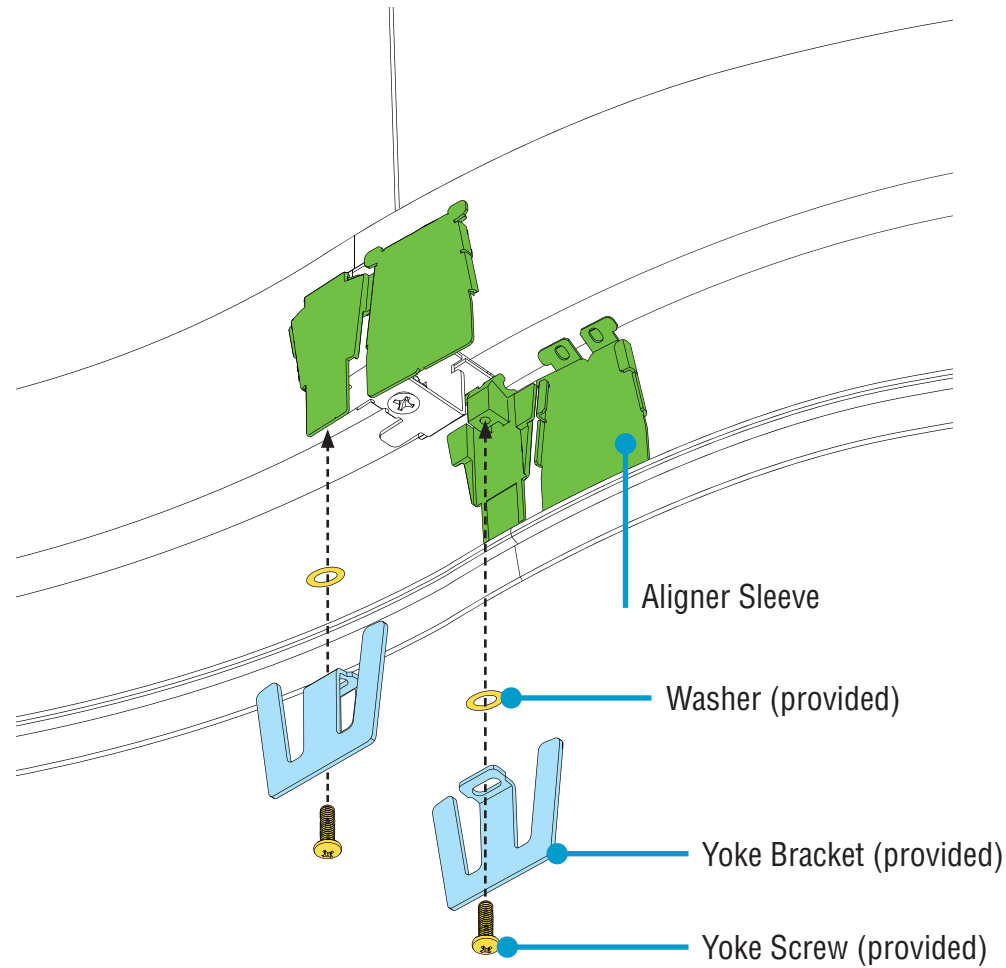


Curved Joints

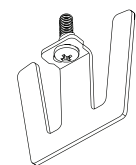
HP-4 Direct Curved Installation Instructions

Step 6 - Securing Luminaire Joints

A. Secure Joint with Yoke Brackets Bottom-Up View

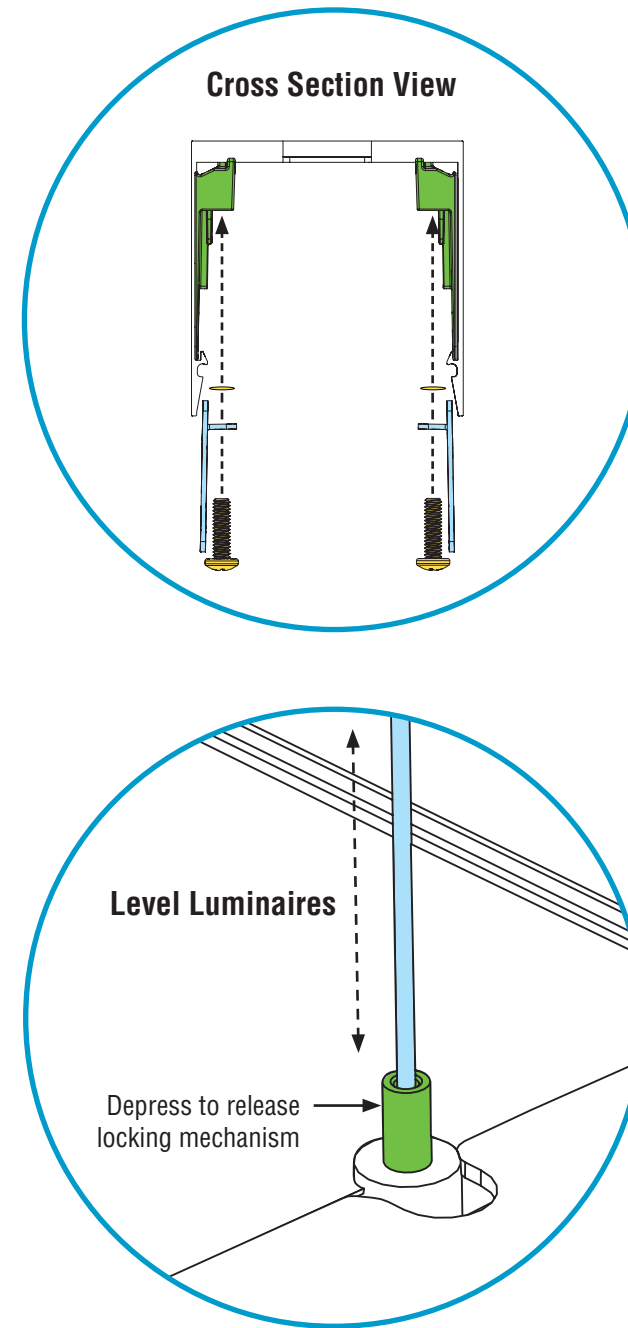


- **NOTE:** Straight to curved uses the same joining method as curved to curved (shown).
- Before installing yoke brackets, ensure the joining ends of luminaires meet flush and square.
- **CRITICAL:** Ensure yoke brackets properly engage with aligner sleeves.
- Secure joint by threading (but not yet tightening) yoke screws through yoke brackets and washers and into the aligner sleeves.
- Level each luminaire to desired height by depressing top of grippers to adjust cable lengths.
- Tighten yoke screws¹ until joint seam of luminaires is closed.

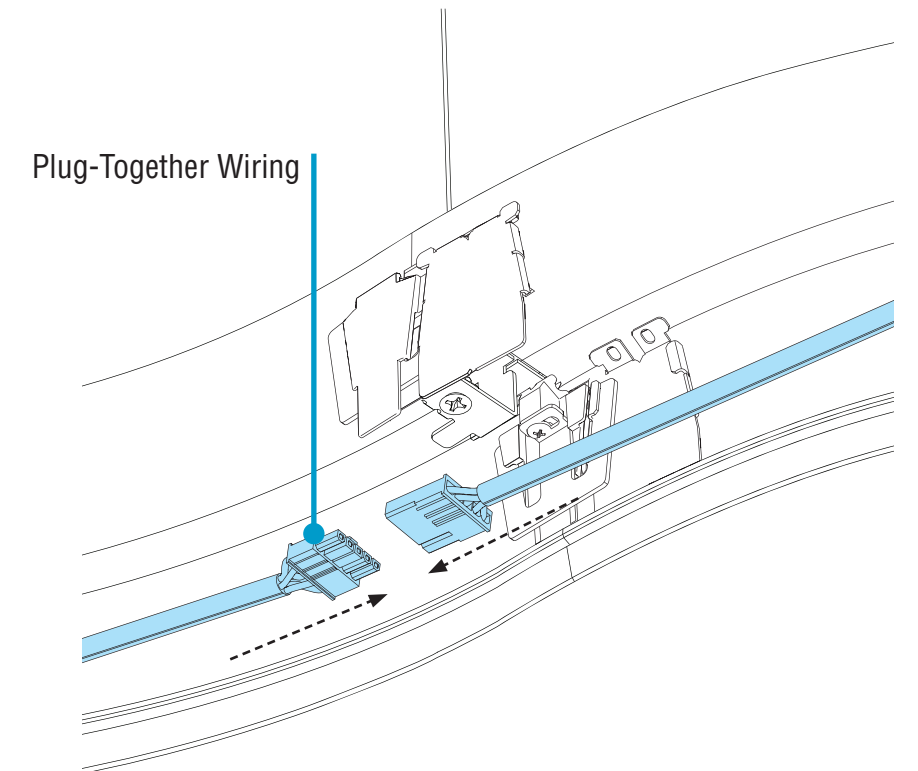


Yoke Bracket w/ Screw and Washer
#10-32 x 5/8" (provided)

¹ Screwdriver with 6" bit required.



B. Make Electrical Connections Bottom-Up View



- Connect plug-together wiring.



Curved Joints



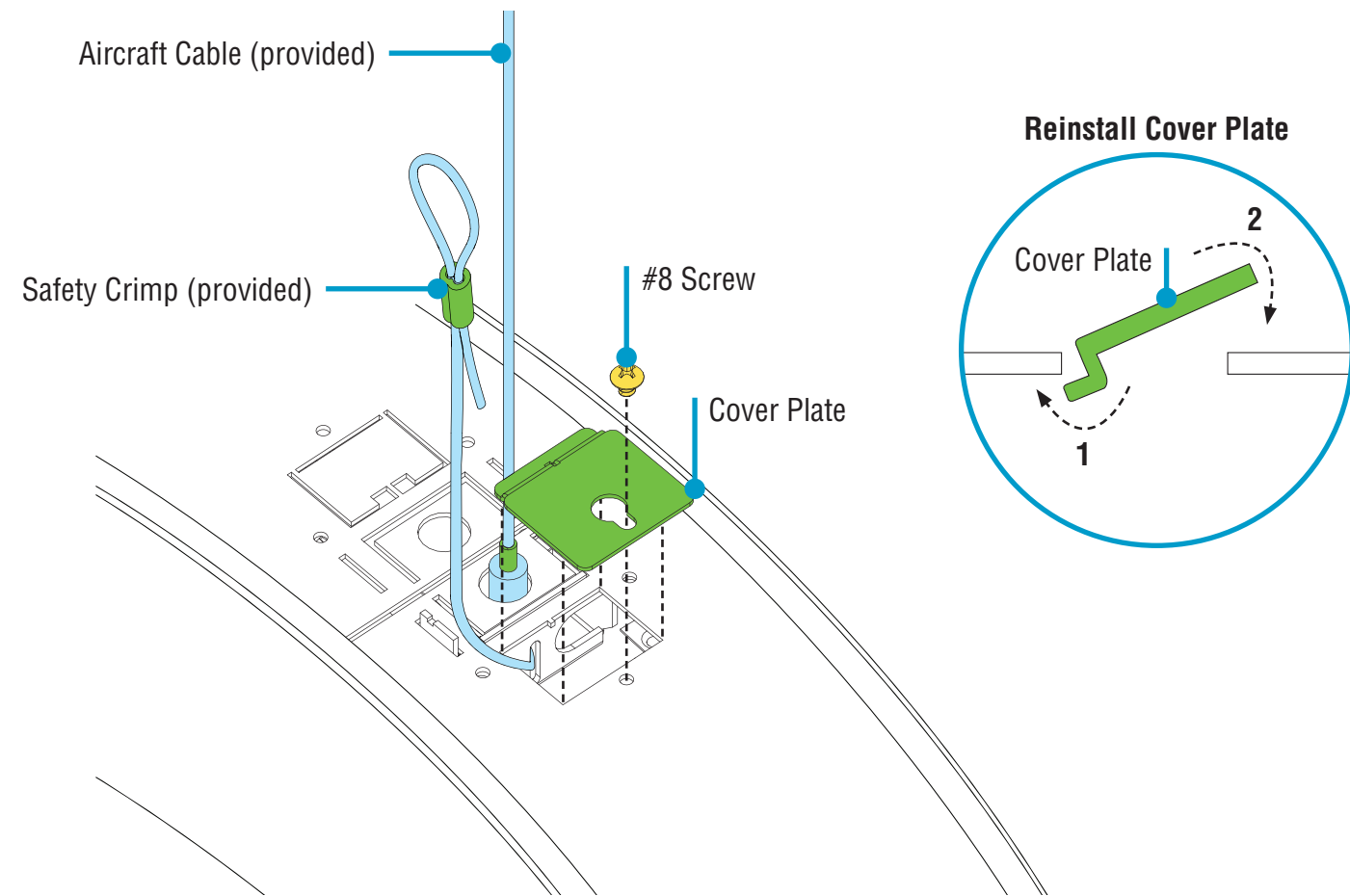
Simple Plug-Together Wiring

HP-4 Direct Curved Installation Instructions

Step 7 - Closing Luminaires

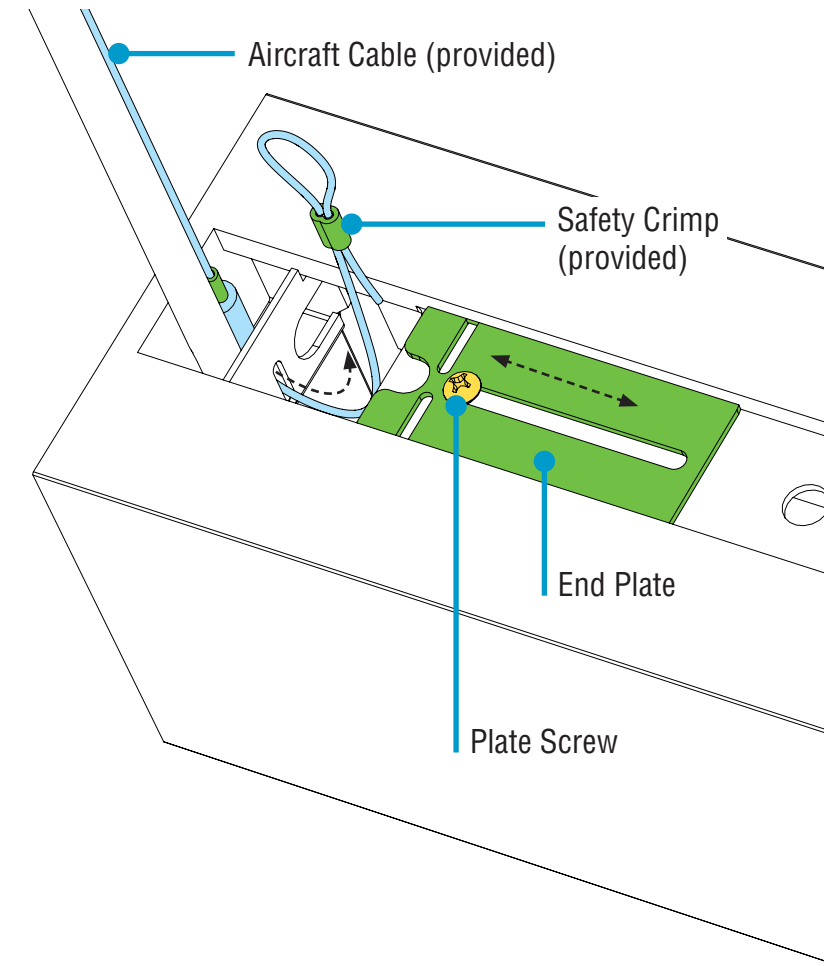
A. Crimp Safety Cable Top-Down View

Curved



- Remove #8 screw and cover plate to gain access to safety cable.
- Loop aircraft cable through safety crimp.
- Crimp, cut excess cable, and tuck back into luminaire body.
- Reinstall cover plate and #8 screw. Typical for each aircraft cable on curved luminaire.

Straight



- Loosen (**but do not remove**) plate screw and slide end plate open to gain access to safety cable.
- Loop aircraft cable through safety crimp.
- Crimp, cut excess cable, and tuck back into luminaire body.
- Close end plate and tighten plate screw to secure. Typical for each aircraft cable on straight luminaire.



CONTINUED

HP-4 Direct Curved Installation Instructions

Step 7 - Closing Luminaires

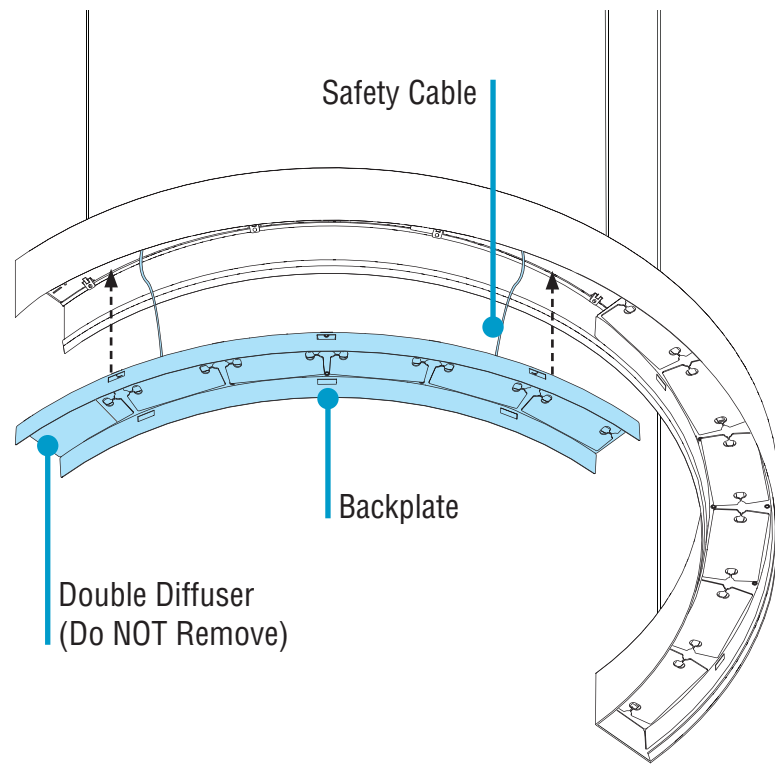
B. Replace Backplates Bottom-Up View

Curved



CAUTION

Be careful when replacing backplates. There may be preinstalled double diffusers that should stay in place.



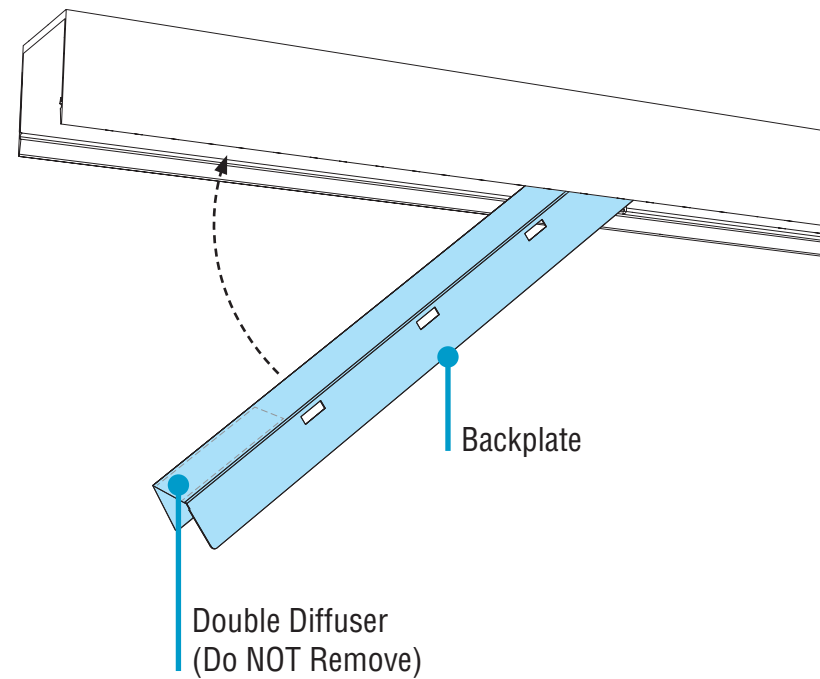
- **CAUTION:** Be careful when replacing backplates. There may be preinstalled double diffusers that should stay in place.
- Reinstall curved backplates by pushing up into luminaire body and snapping back into clips.

Straight



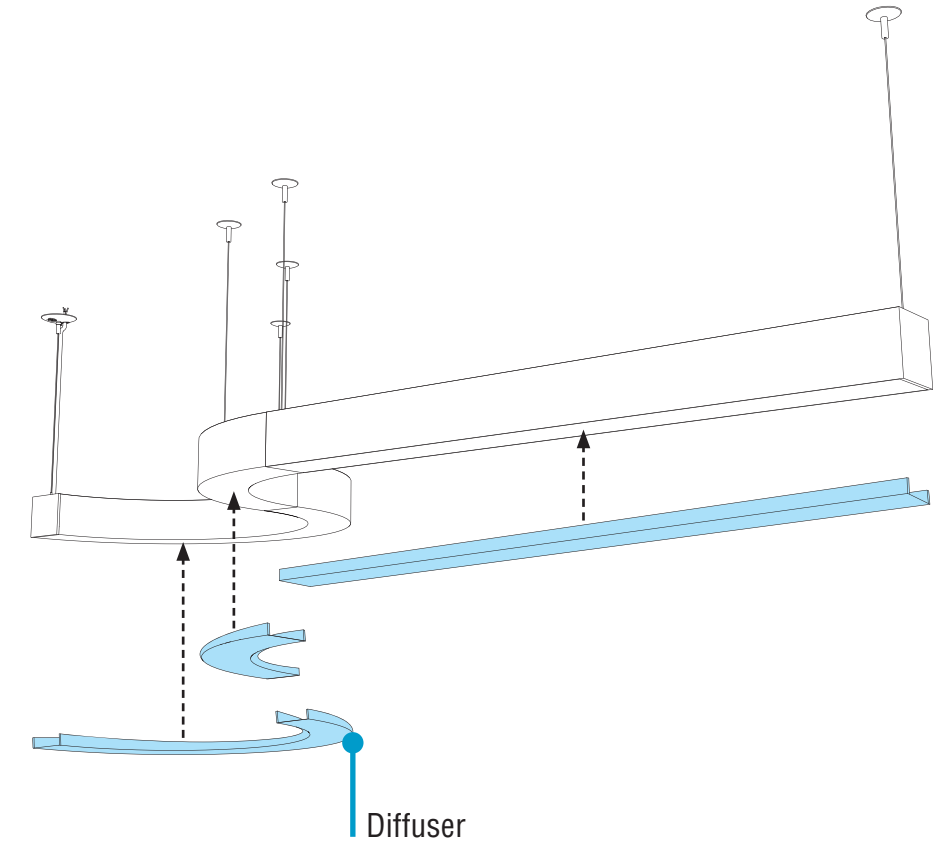
CAUTION

Be careful when replacing backplates. There may be preinstalled double diffusers that should stay in place.



- **CAUTION:** Be careful when replacing backplates. There may be preinstalled double diffusers that should stay in place.
- Reinstall straight backplates by rotating into luminaire body and snapping back into clips.

C. Replace Diffusers Bottom-Up View



- **NOTE (STRAIGHT LUMINAIRE ONLY):** If your installation includes a battery backup, please see addendum (98333) that should be included with your kitting package.
- **FOR SENSOR (STRAIGHT LUMINAIRE ONLY):** If luminaire contains a sensor at joint, refer to page 5 of Sensor Addendum before Closing Luminaires.
- **CAUTION:** Wear gloves to keep diffuser surface clean.
- **CRITICAL:** Be sure to install correct diffuser to its corresponding luminaire ID.
- Carefully remove diffusers from protective plastic bag.
- Install diffusers by snapping into place.
- Turn power on to luminaire.