

HP-4 Wet Location Driver Replacement Instructions

Overview

NOTE

All power connections should be installed according to local/national codes by a Certified Electrician.



HELPFUL
VIDEOS



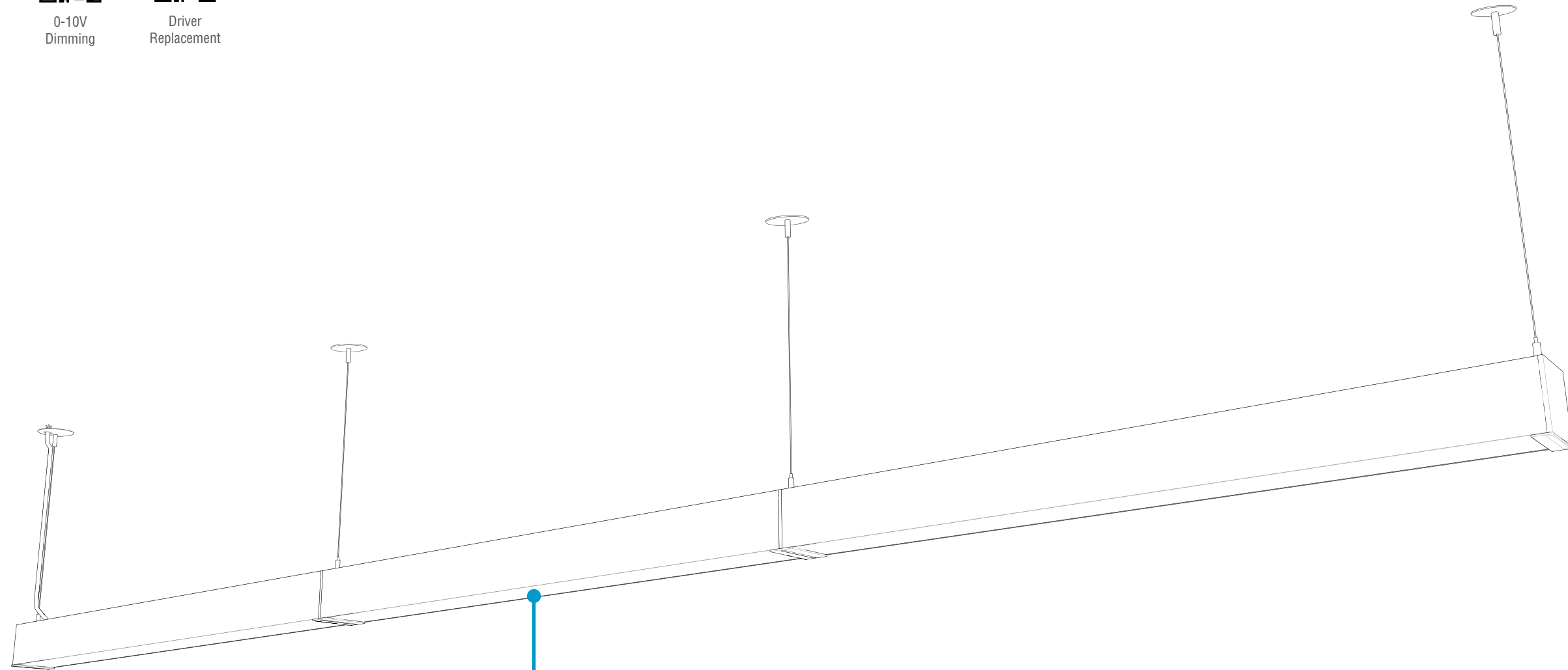
Opening
Luminaires



0-10V
Dimming



Driver
Replacement

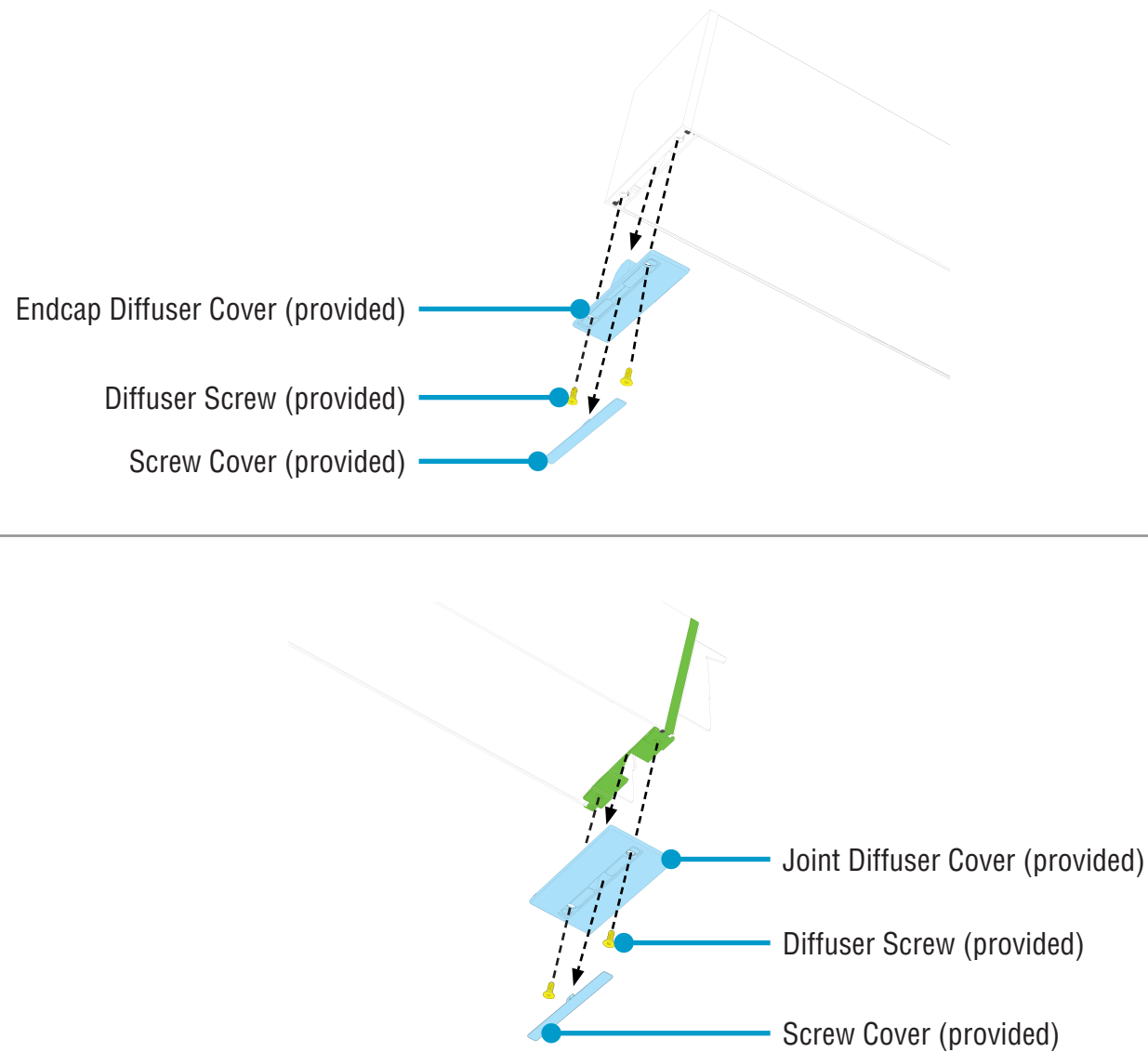


Driver Replacement ▶
Pages 2-4

HP-4 Wet Location Driver Replacement Instructions

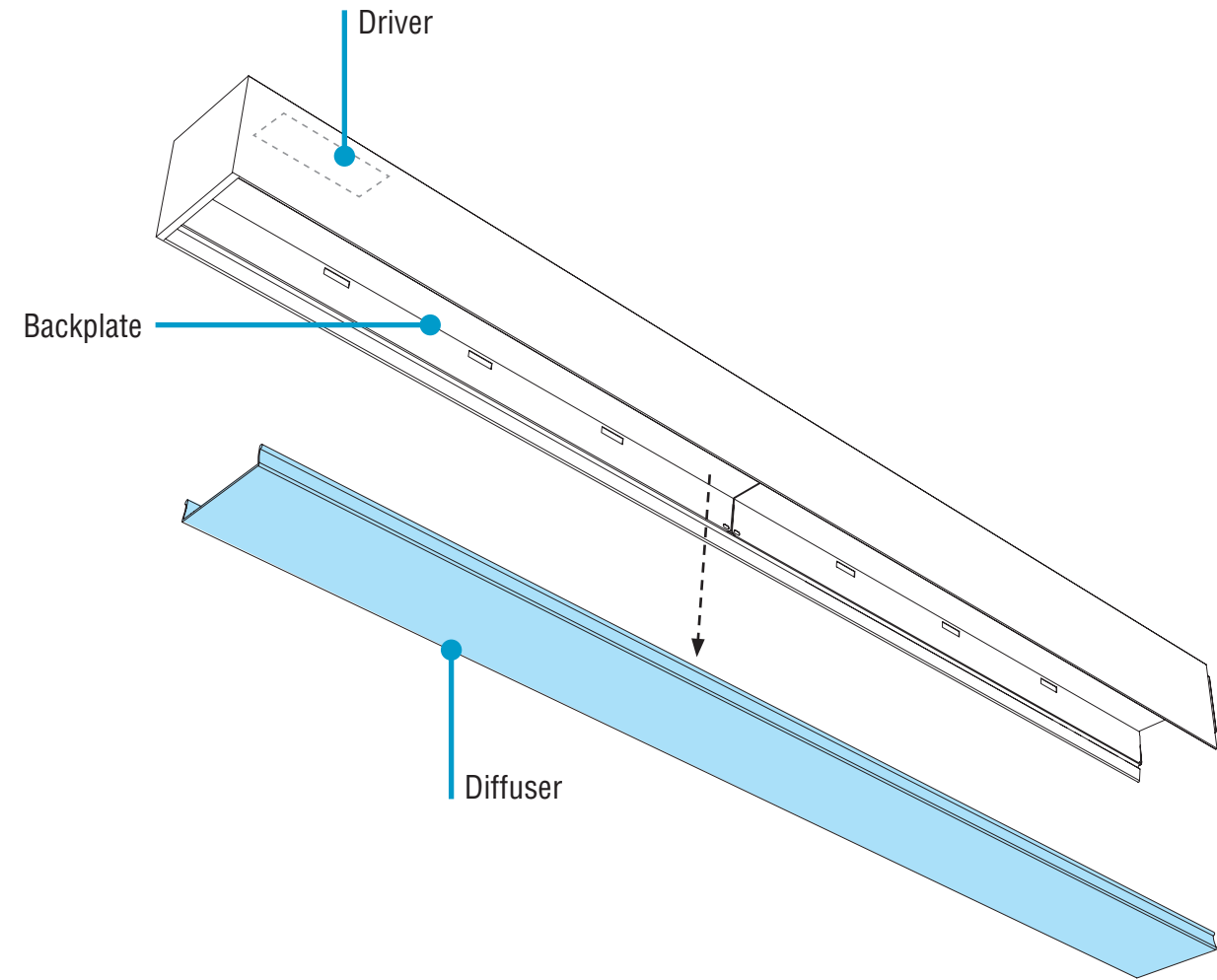
Step 1 - Opening Luminaires

A. Remove Endcap & Joint Diffuser Cover Bottom-Up View

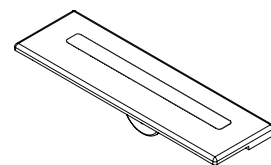


- Turn power off to luminaire.
- Remove the magnetic screw covers from endcap and joint diffuser covers.
- Carefully remove **ALL** endcap and joint diffuser covers. Failing to do so will result in damage to gaskets.
- Set aside the screws, endcap, and joint diffuser covers to prevent from getting dirty or damaged.

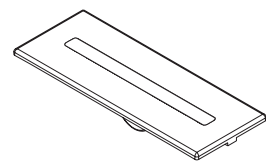
B. Remove Diffuser Bottom-Up View



- **NOTE:** Exact location of driver may vary.
- **CAUTION:** Wear gloves to keep diffuser surface clean.
- Carefully remove diffuser and set aside to prevent from getting dirty or damaged.
- Ensure diffuser can be clearly identified back to its corresponding luminaire.



Endcap Diffuser Cover
(provided)



Joint Diffuser Cover
(provided)



Screw Cover
(provided)



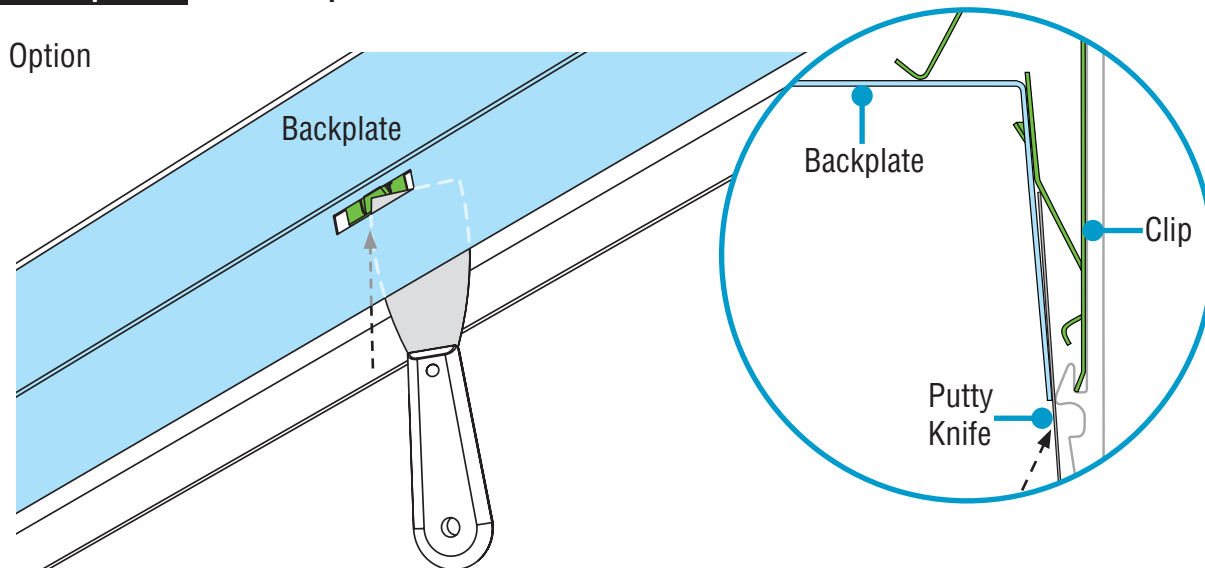
Diffuser Screw
(provided)

HP-4 Wet Location Driver Replacement Instructions

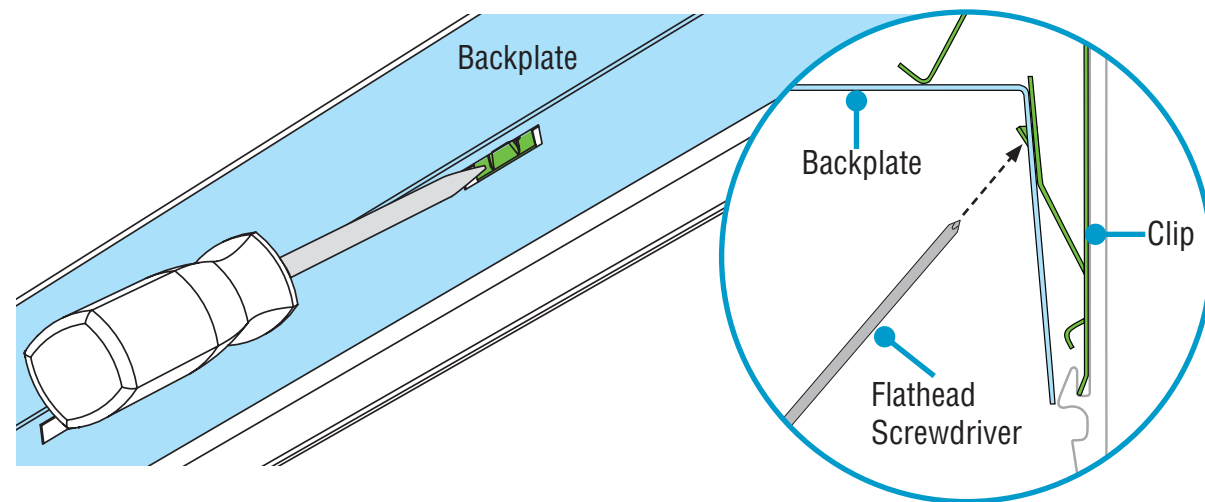
Step 1 - Opening Luminaires

C. Release Backplates Bottom-Up View

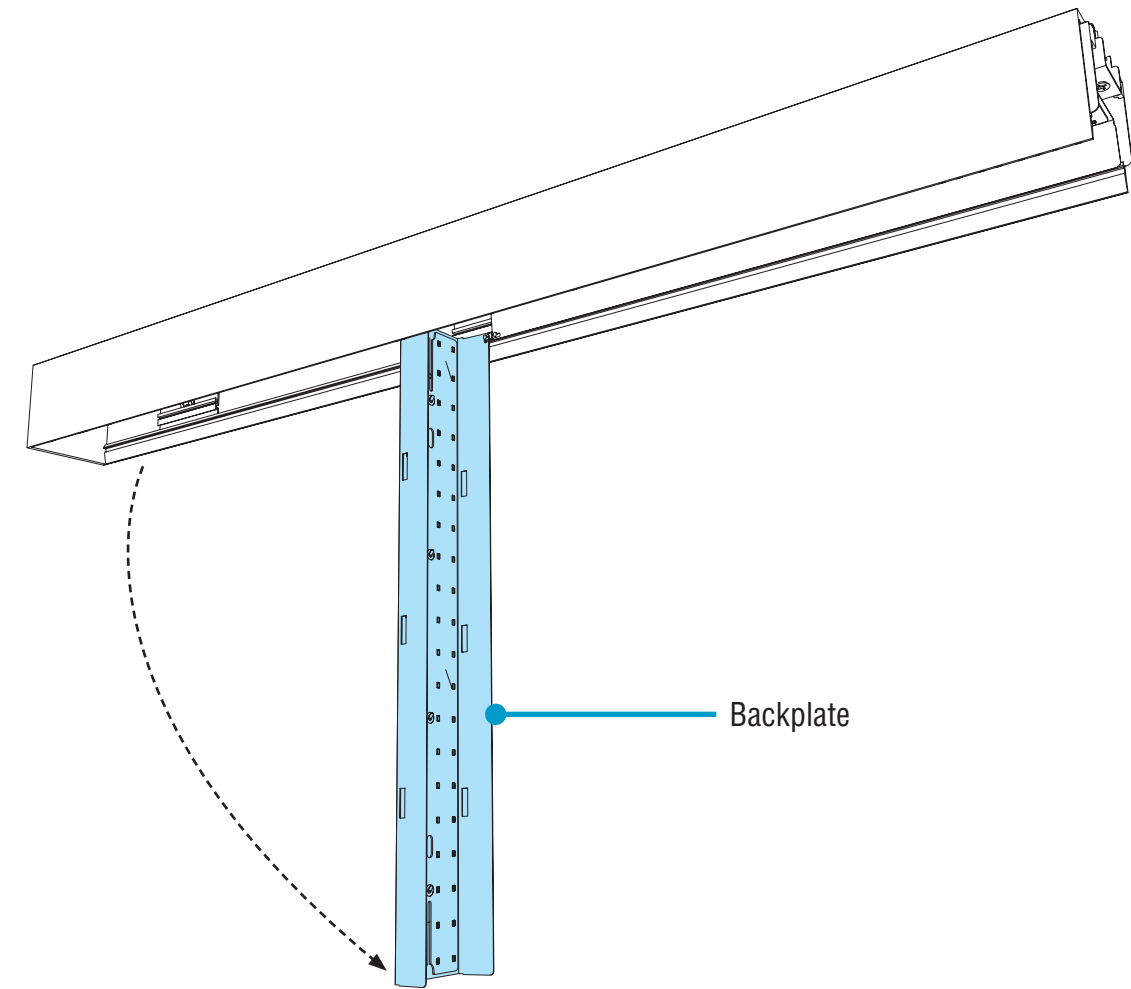
Putty Knife Option



Flathead Screwdriver Option



- Release the backplates from clips by sliding the blade of a putty knife behind backplate edges.
- To use a flathead screwdriver, press end of screwdriver (from inside the luminaire) against the clip, until the backplate is released.



- Carefully rotate backplates out and let them hang from luminaire body.

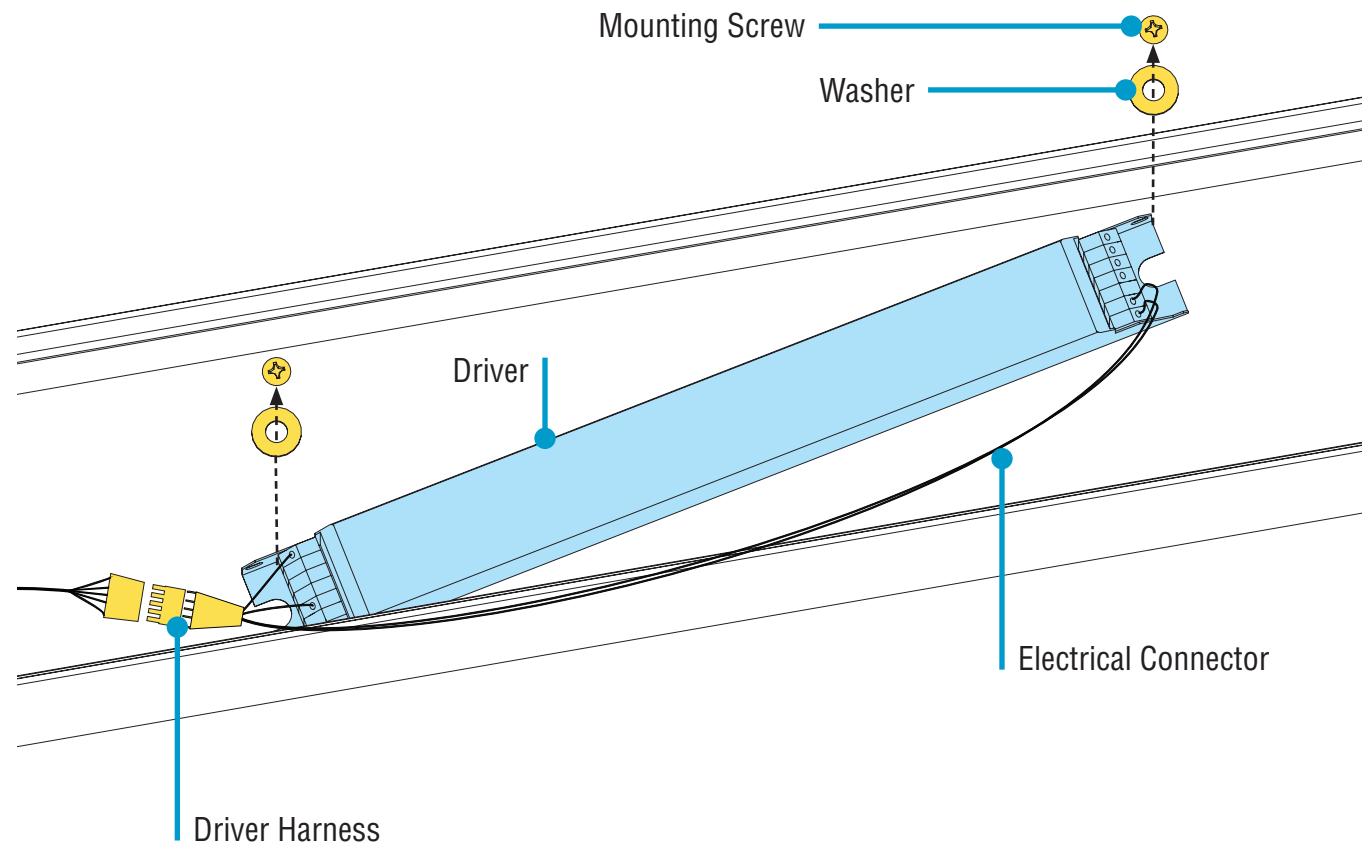


Opening
Luminaires

HP-4 Wet Location Driver Replacement Instructions

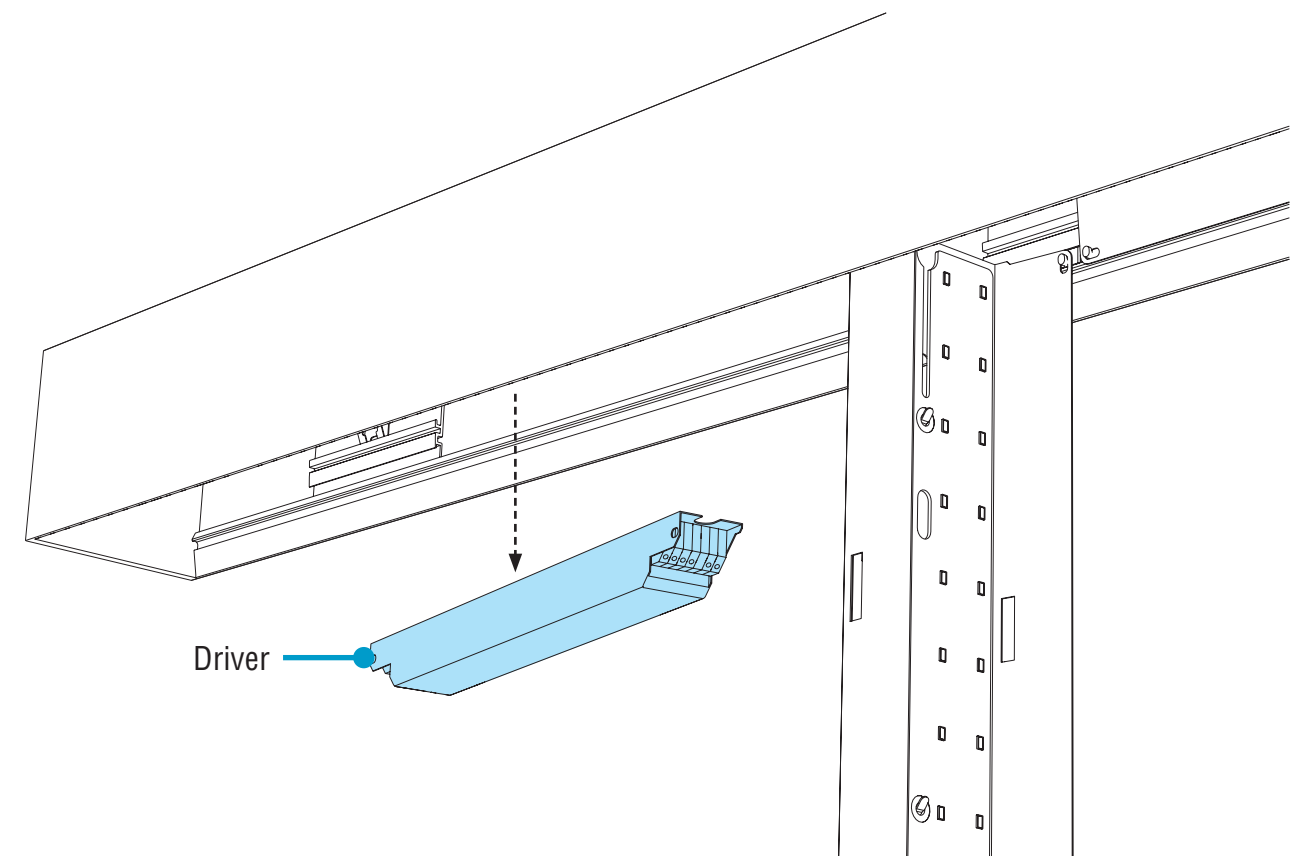
Step 2 - Replace Driver

A. Release Driver Bottom-Up View



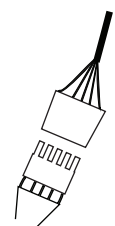
- Release driver from luminaire by removing mounting screws.
- Disconnect driver from driver harness.
- Once driver is free, disconnect electrical connections from the driver.

B. Replace Driver Bottom-Up View

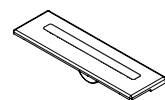


- Remove old driver and replace with new driver.
- Reconnect all electrical connections.
- Replace backplate by snapping back into clips.
- **CAUTION:** Wear gloves to keep diffuser surface clean.
- **CRITICAL:** Be sure to install correct diffuser to its corresponding luminaire ID.
- Replace diffuser.
- Replace **ALL** endcap and joint diffuser covers.
- Replace magnetic screw covers on endcap and joint diffuser covers.
- Turn power on to luminaire.

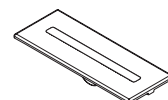
WIRING LEGEND		
Black	Hot	Line Voltage
White	Neutral	Line Voltage
Green	Ground	
Grey	Dimming	0-10V DC
Purple	Dimming	0-10V DC



Driver Harness
Part # 15501



Endcap Diffuser
Cover (provided)



Joint Diffuser
Cover (provided)



Screw Cover
(provided)



Diffuser Screw
(provided)



0-10V
Dimming



Driver
Replacement