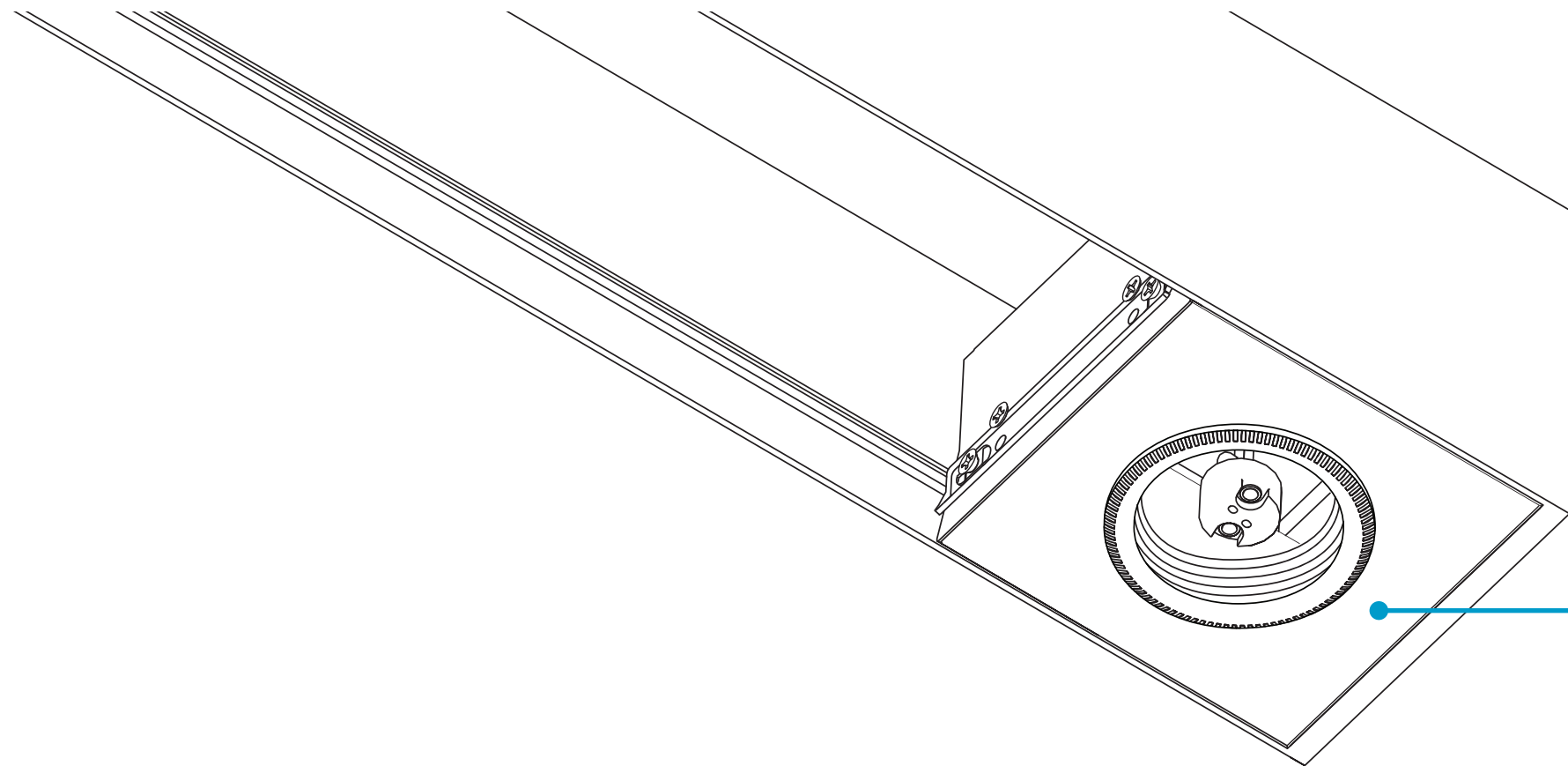


HP-4 Accent Lighting Housing Addendum Installation Instructions

Overview

NOTES

- This addendum applies to HP-4 Accent Lighting Downlight.
- All power connections should be installed according to local/national codes by a Certified Electrician.
- This installation requires **proper support** as each luminaire is being installed.
- **DO NOT attempt to join luminaires together on the floor.** Damage may result when lifted.



Accent Lighting Housing Addendum
at Endcap **Pages 2-3**

Accent Lighting Housing Addendum
at Joint **Pages 4-5**

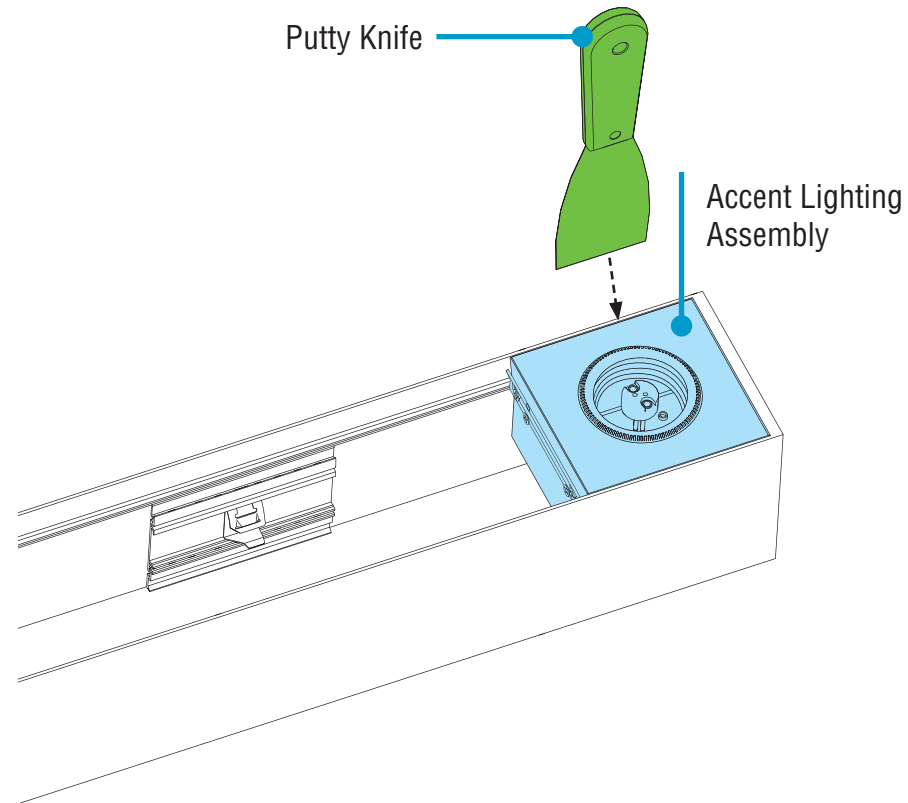
Accent Lighting Housing Addendum
at Corner **Page 6**

Accent Lighting Lamp Replacement
Page 7

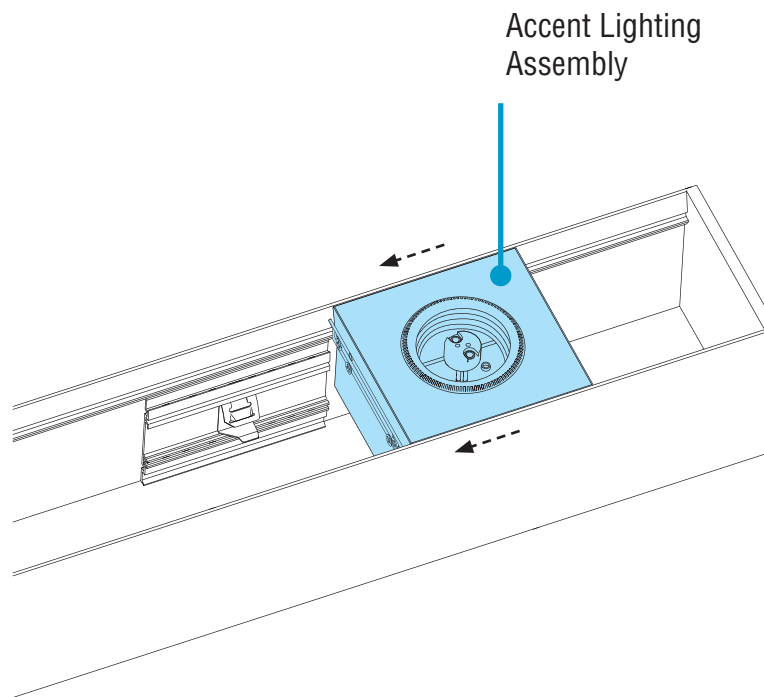
HP-4 Accent Lighting Housing Addendum Installation Instructions

Step 1 - Remove Accent Lighting at Endcap; Surface Mount, Spackle & Visible Flange Only

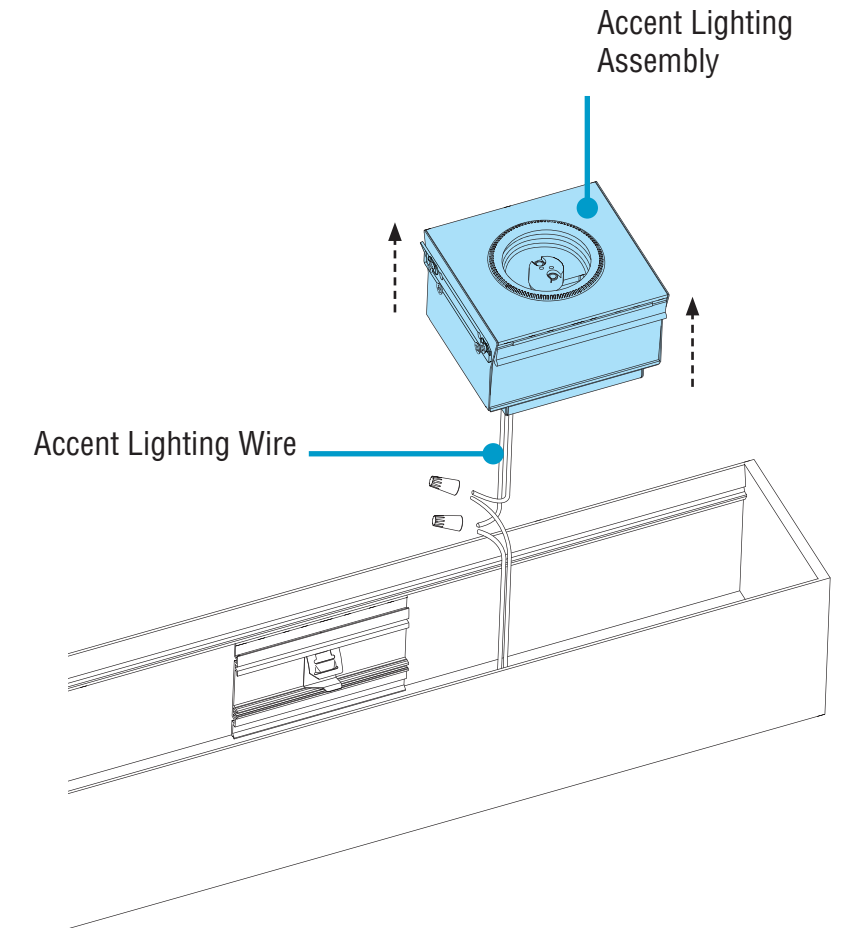
Remove Accent Lighting at Endcap Top-Down View



- Once backplates are open, release accent lighting assembly by gently sliding the blade of a putty knife between accent lighting assembly and luminaire body.



- Slide accent lighting assembly approximately 12 inches away from endcap.

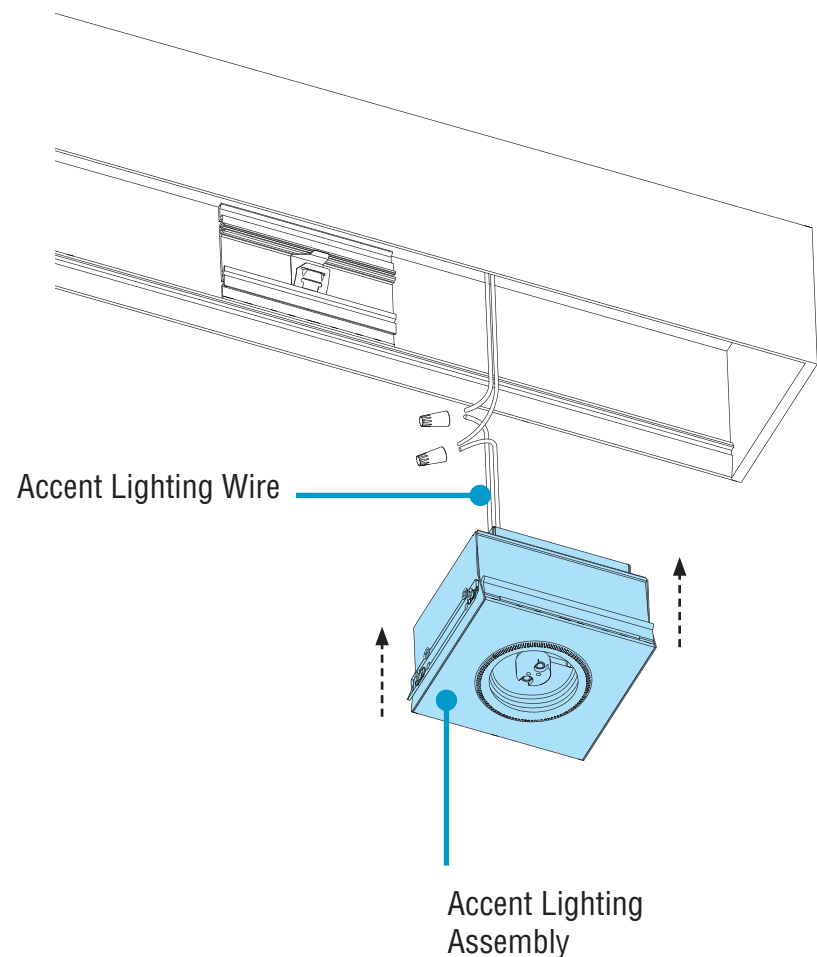


- If necessary, remove accent lighting assembly from luminaire by snapping out and lifting up.
- **NOTE:** accent lighting assembly does not need to be removed if accent lighting wires are already accessible.
- Disconnect accent lighting wires.
- Refer back to Luminaire Installation Instructions: Mounting Starter to Structure.

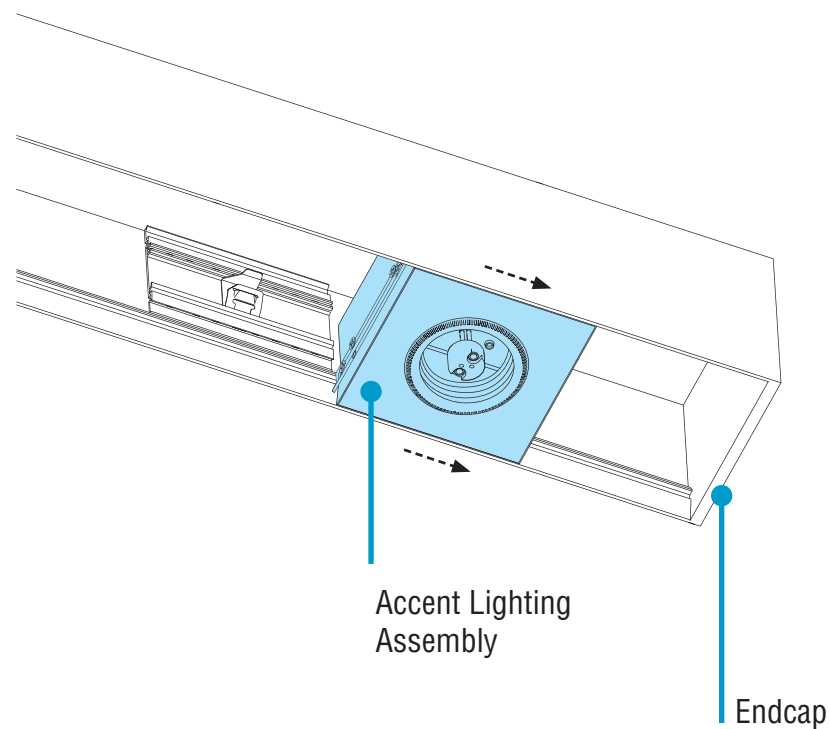
HP-4 Accent Lighting Housing Addendum Installation Instructions

Step 2 - Reinstall Accent Lighting at Endcap; Surface Mount, Spackle & Visible Flange Only

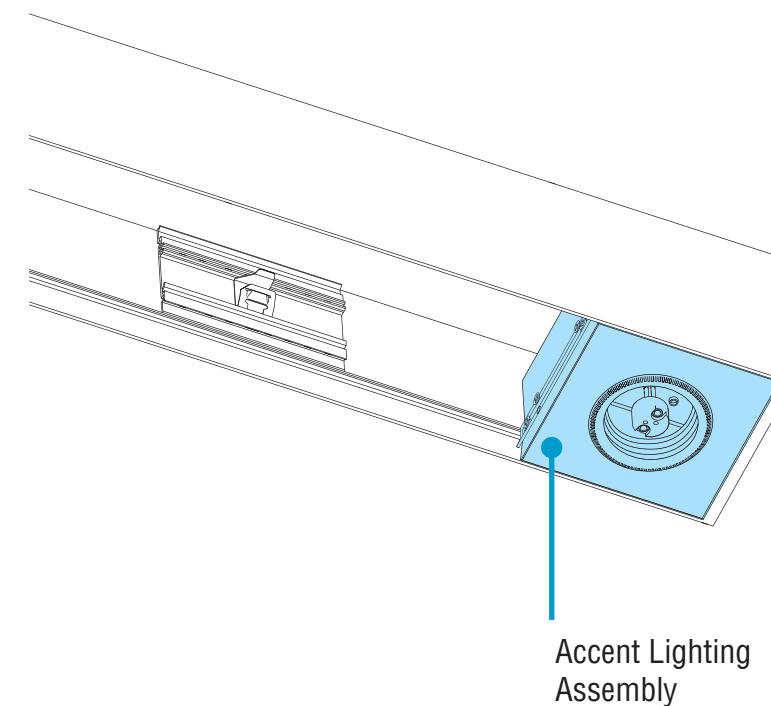
Remove Accent Lighting at Endcap Bottom-Up View



- Once luminaire is mounted, reconnect accent lighting wires.
- If accent lighting assembly was removed, replace back into luminaire by pushing and snapping in.



- Slide accent lighting assembly approximately 12 inches back towards endcap.



- Once accent lighting assembly is in place, refer back to Luminaire Installation Instructions: Closing Luminaires.

HP-4 Accent Lighting Housing Addendum Installation Instructions

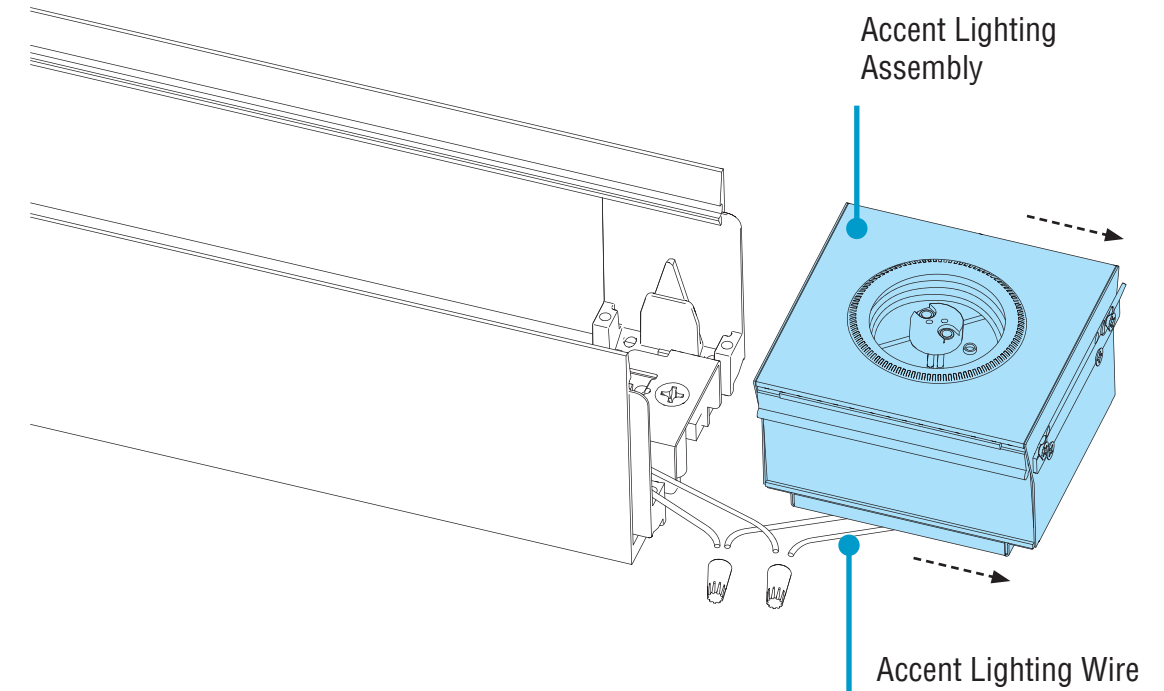
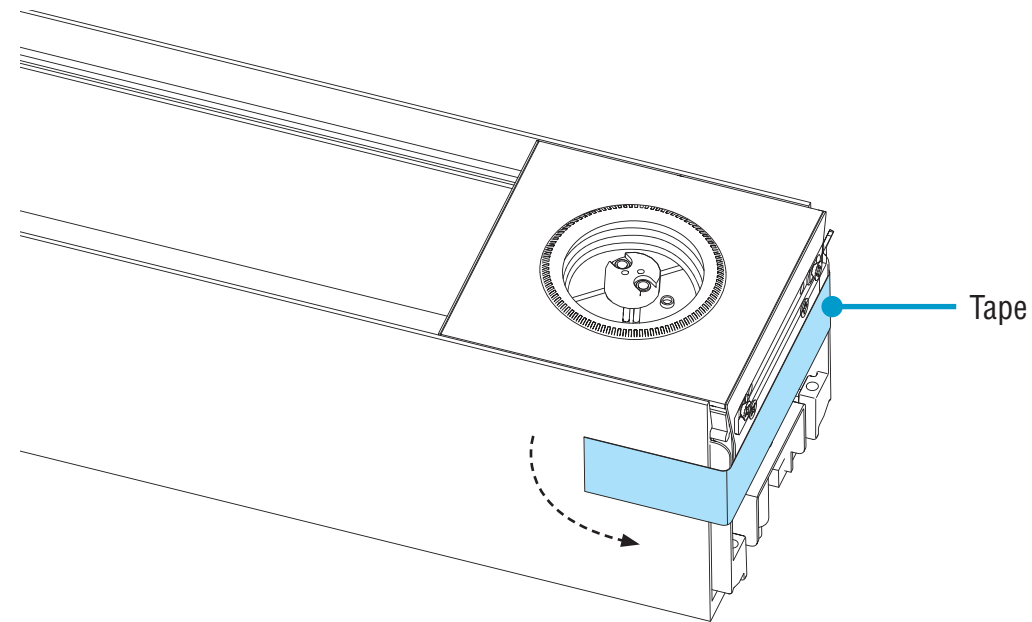
Step 1 - Remove Socket at Luminaire Joint; For All Mounting Options

Remove Accent Lighting at Joint Top-Down View



CAUTION

DO NOT attempt to join luminaires together on the floor. Damage may result when lifted. Follow these instructions.



- Once backplates are open, remove tape holding accent lighting assembly onto luminaire and discard.

- Slide accent lighting assembly out of luminaire from end.
- Disconnect accent lighting wires.
- Once accent lighting assembly is removed, refer back to Luminaire Installation Instructions: Securing Luminaire Joints.

HP-4 Accent Lighting Housing Addendum Installation Instructions

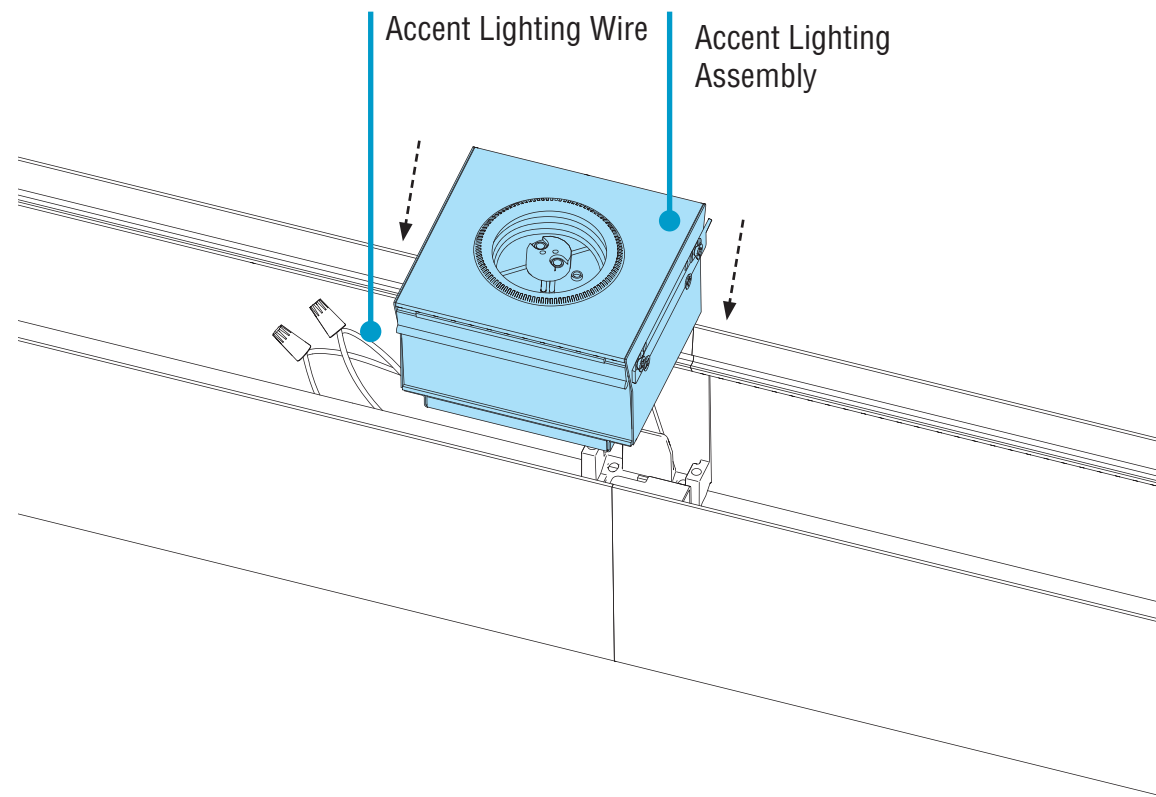
Step 2 - Reinstall Accent Lighting at Luminaire Joint; For All Mounting Options

Remove Accent Lighting at Joint Top-Down View

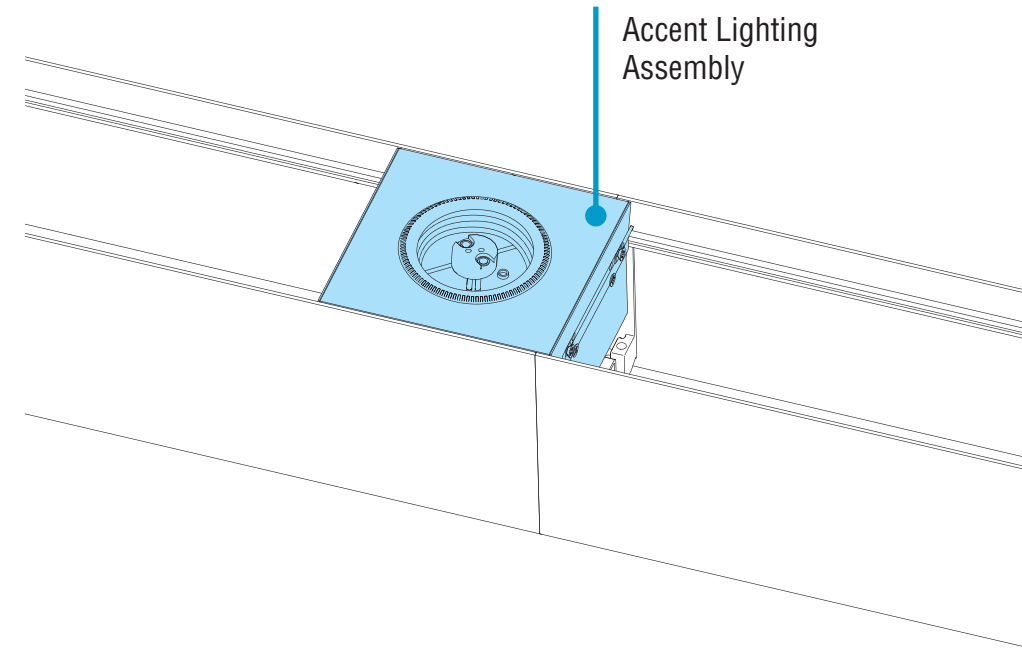


CAUTION

DO NOT attempt to join luminaires together on the floor. Damage may result when lifted. Follow these instructions.



- Once luminaires are joined, reconnect accent lighting wires.
- Replace accent lighting assembly back into luminaire and snap in place.

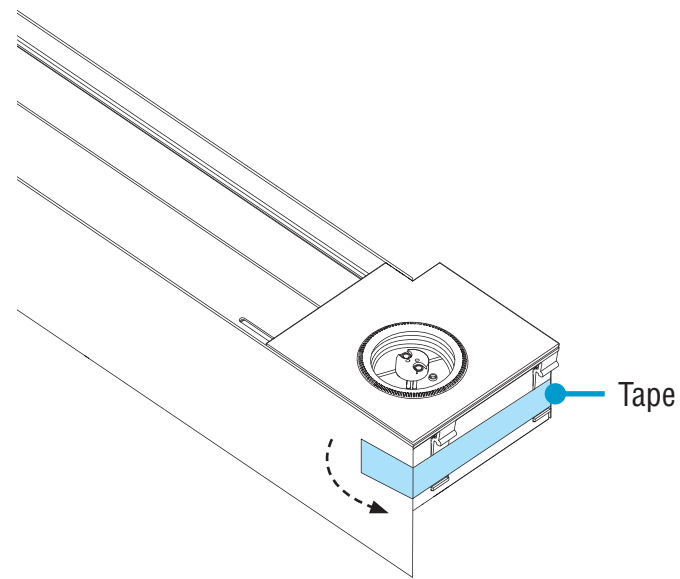


- Once accent lighting assembly is in place, refer back to Luminaire Installation Instructions: Closing Luminaires.

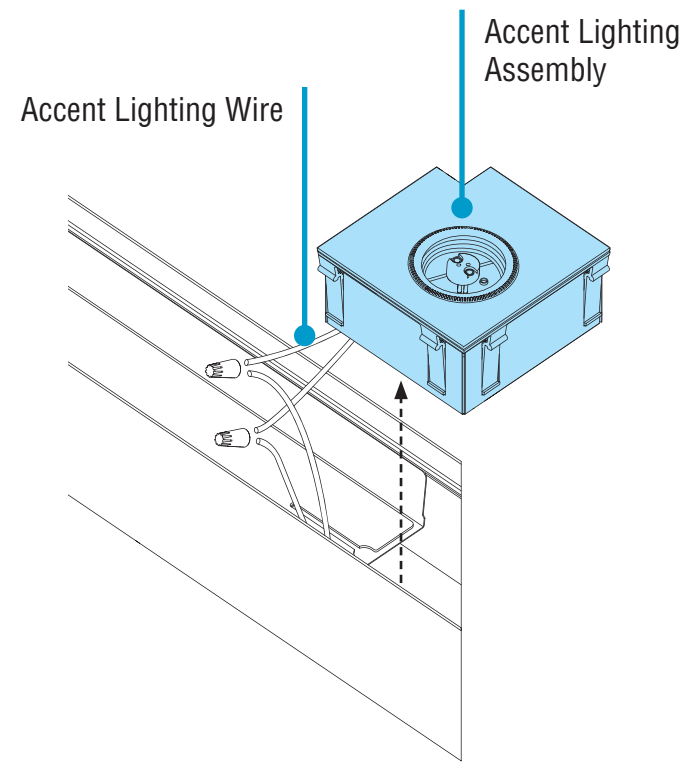
HP-4 Accent Lighting Housing Addendum Installation Instructions

Step 1 - Remove & Reinstall Accent Lighting at Corner; For All Mounting Options

A. Remove Accent Lighting at Corner Top-Down View

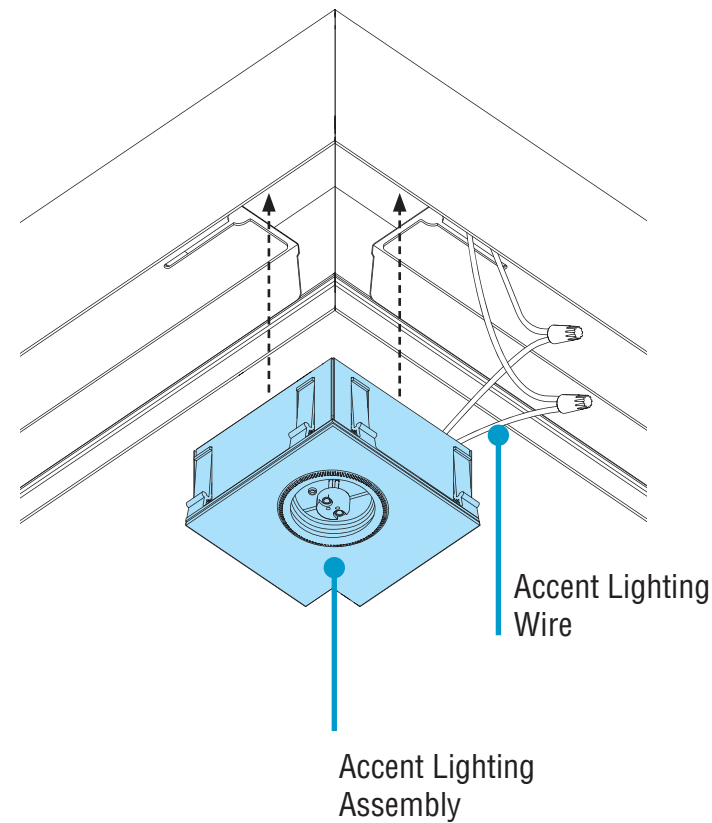


- Once backplates are open, remove tape holding socket assembly onto luminaire and discard.

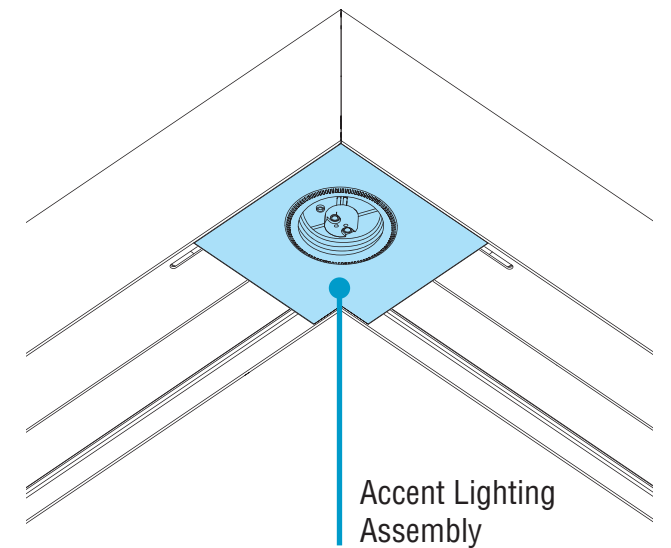


- Remove accent lighting assembly from luminaire by lifting up.
- Disconnect accent lighting wires.
- Once accent lighting assembly is removed, refer back to Luminaire Installation Instructions: Joining Mitered Corners.

B. Remove Accent Lighting at Corner Bottom-Up View



- Once luminaires are joined, reconnect accent lighting wires.
- Replace accent lighting assembly back into luminaires and snap in place.

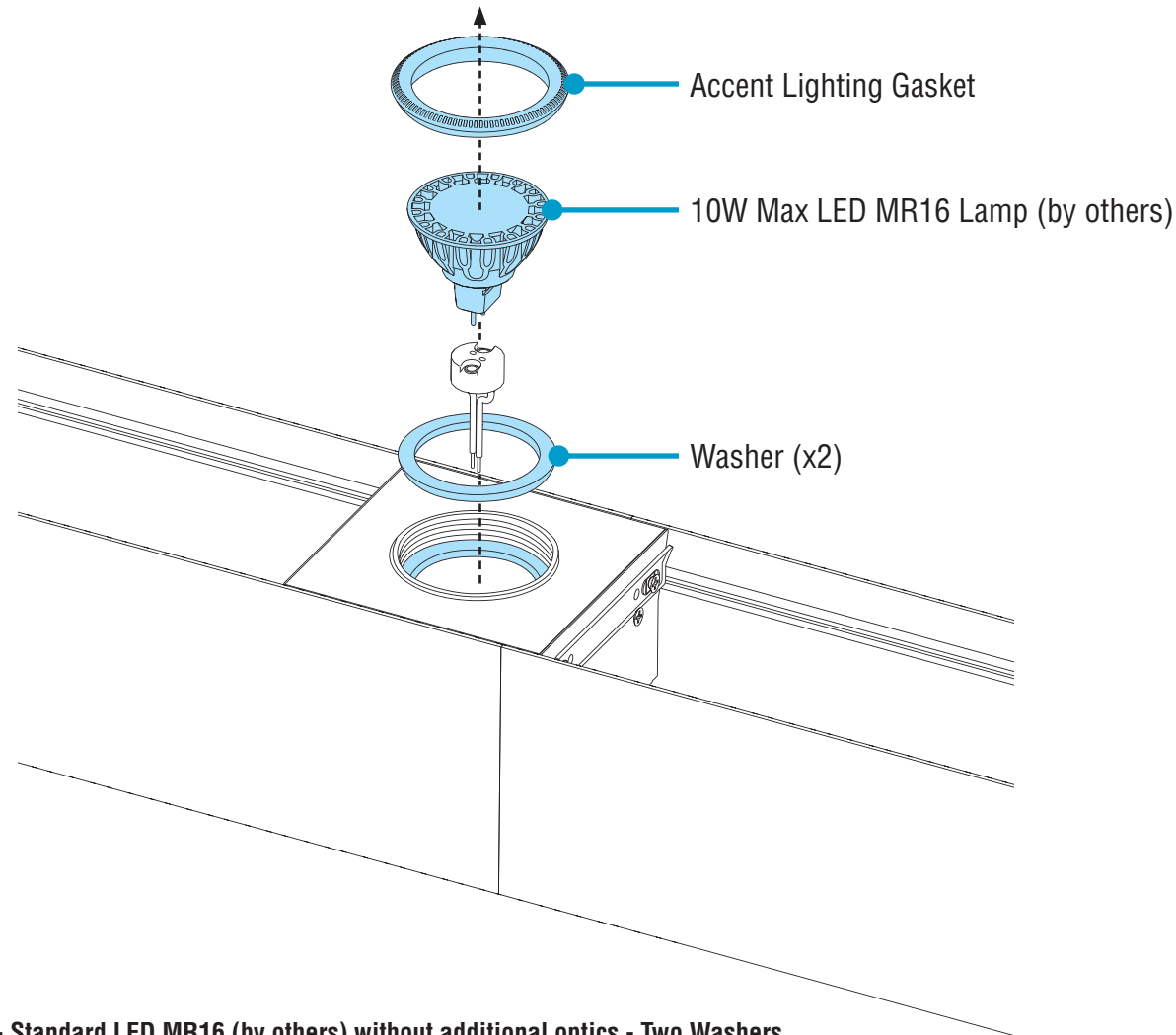


- Once accent lighting assembly is in place, refer back to Luminaire Installation Instructions: Closing Luminaires.

HP-4 Accent Lighting Housing Addendum Installation Instructions

Step 1 - Remove & Reinstall Accent Lighting Lamp; For All Mounting Options

Remove & Replace Accent Lighting Lamp Top-Down View



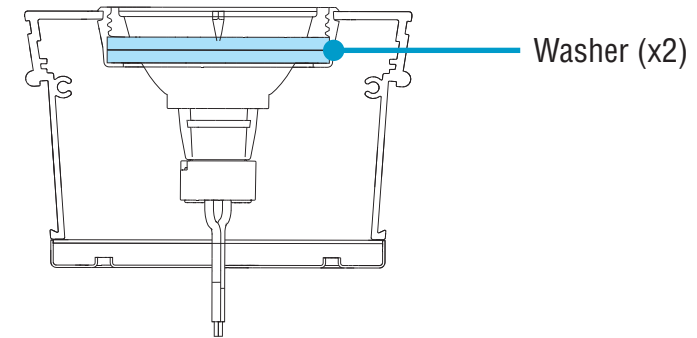
Option 1 (shown) - Standard LED MR16 (by others) without additional optics - Two Washers

Option 2 - Thin Glass Diffuser Optics (by others) - One Washer

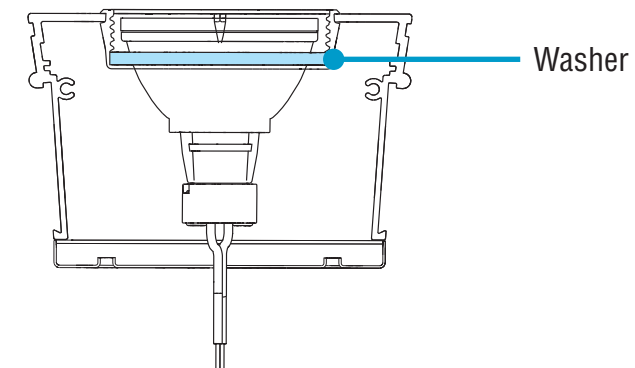
Option 3 - Thick Glass Diffuser Optics (by others) - No Washer

- Turn power off to luminaire.
- Unthread and remove accent lighting gasket.
- Remove old 10W Max LED MR16 lamp.
- If needed, remove and replace washers.
- Replace new 10W Max LED MR16 lamp.
- Thread accent lighting gasket onto new accent lamp.

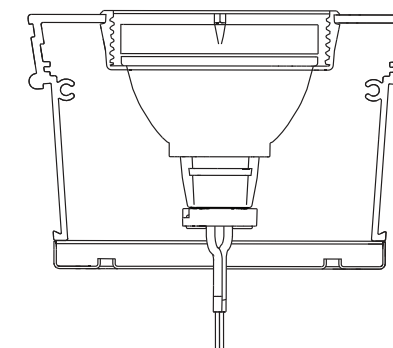
Option 1 - Standard LED MR16 (by others) without additional optics - Two Washers



Option 2 - Thin Glass Diffuser Optics (by others) - One Washer



Option 3 - Thick Glass Diffuser Optics (by others) - No Washer



	Number of Washers	Glass Diffuser Optics
Option 1	2	Standard
Option 2	1	Thin
Option 3	0	Thick