

# HP-2 / HP-4 White Cross Blade Baffle Tether Addendum Installation Instructions

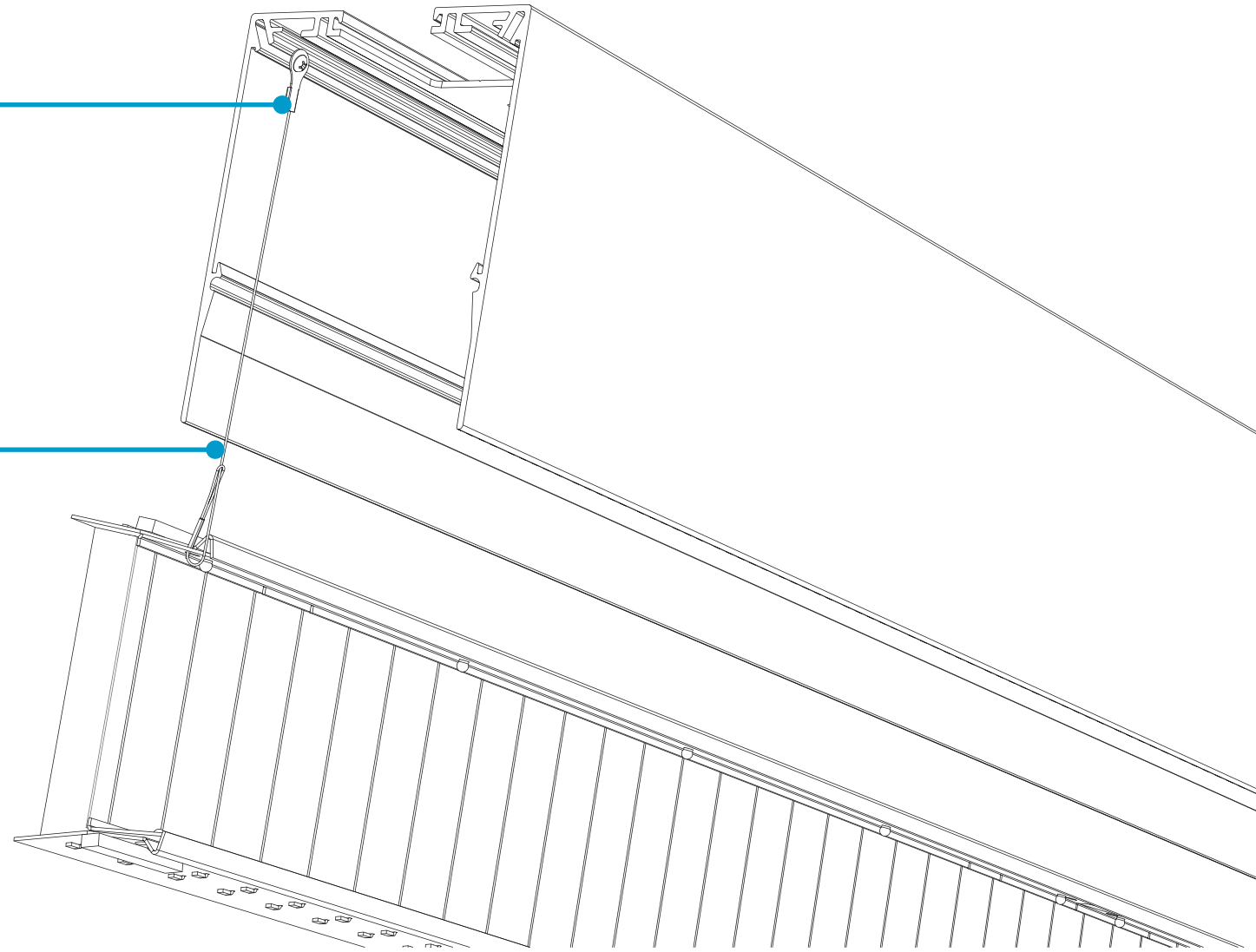
## Overview

**FINELITE**<sup>®</sup>  
*Better Lighting*

**NOTE** | • This installation requires **proper support** as each baffle is being installed.

**Step 2**  
Secure Tethers to Luminaire  
**Page 3**

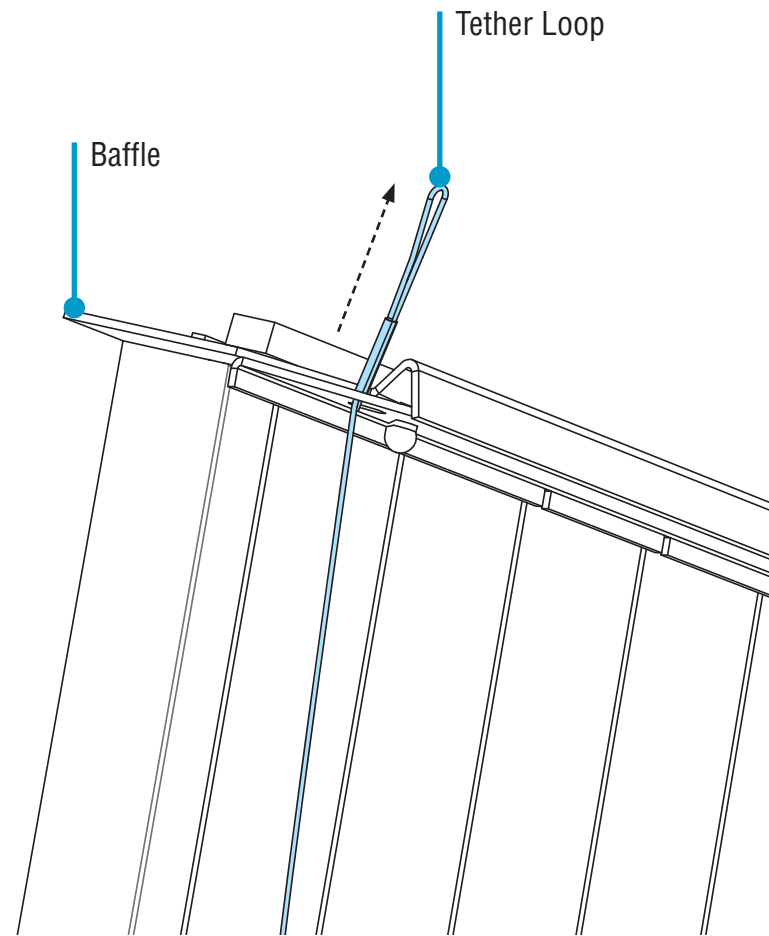
**Step 1**  
Secure Tethers to Baffle  
**Page 2**



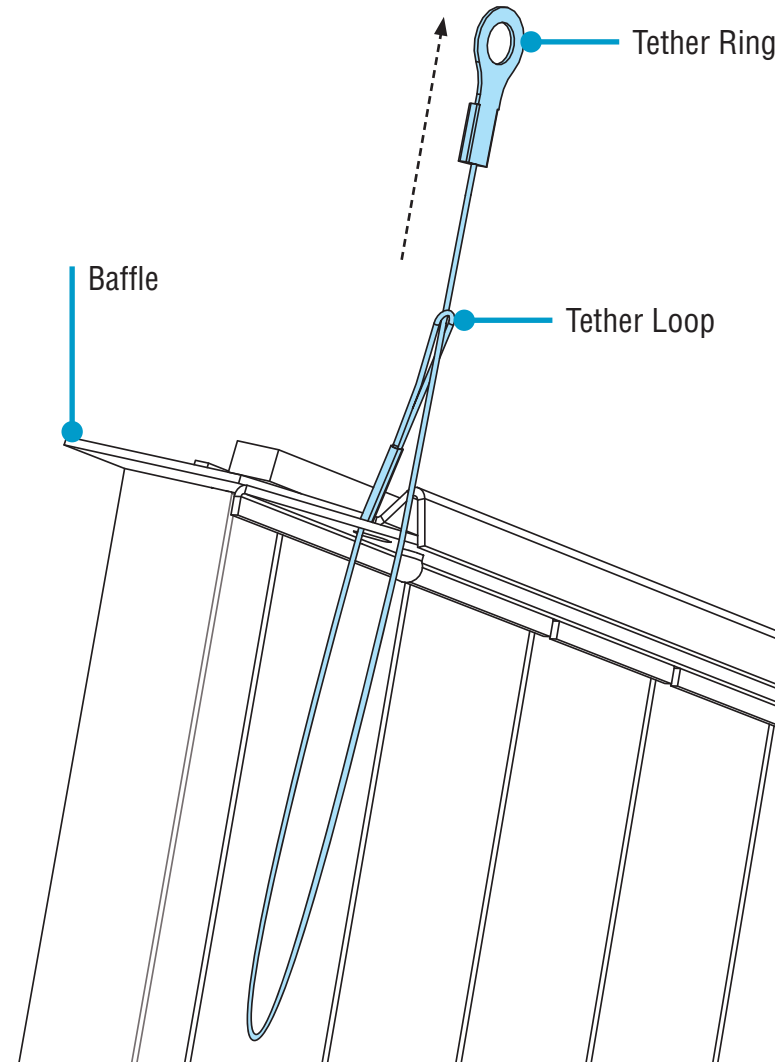
# HP-2 / HP-4 White Cross Blade Baffle Tether Addendum Installation Instructions

## Step 1 - Secure Tethers to Baffle

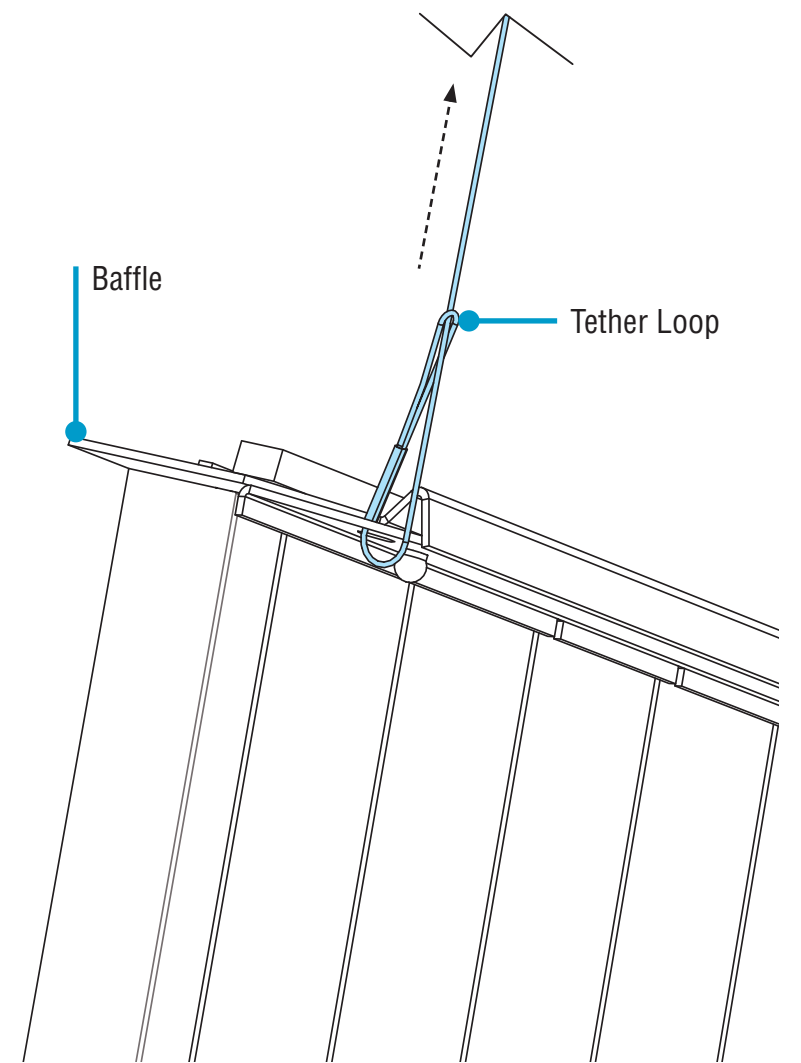
**Secure Tethers to Baffle** Side View



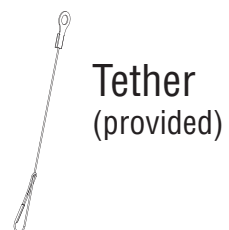
- Insert tether loop through hole at end of baffle.
- **NOTE:** There are two tethers per baffle (one on each end).
- **CRITICAL:** Ensure tethers are secured on same side of baffle.



- Insert tether ring through tether loop.



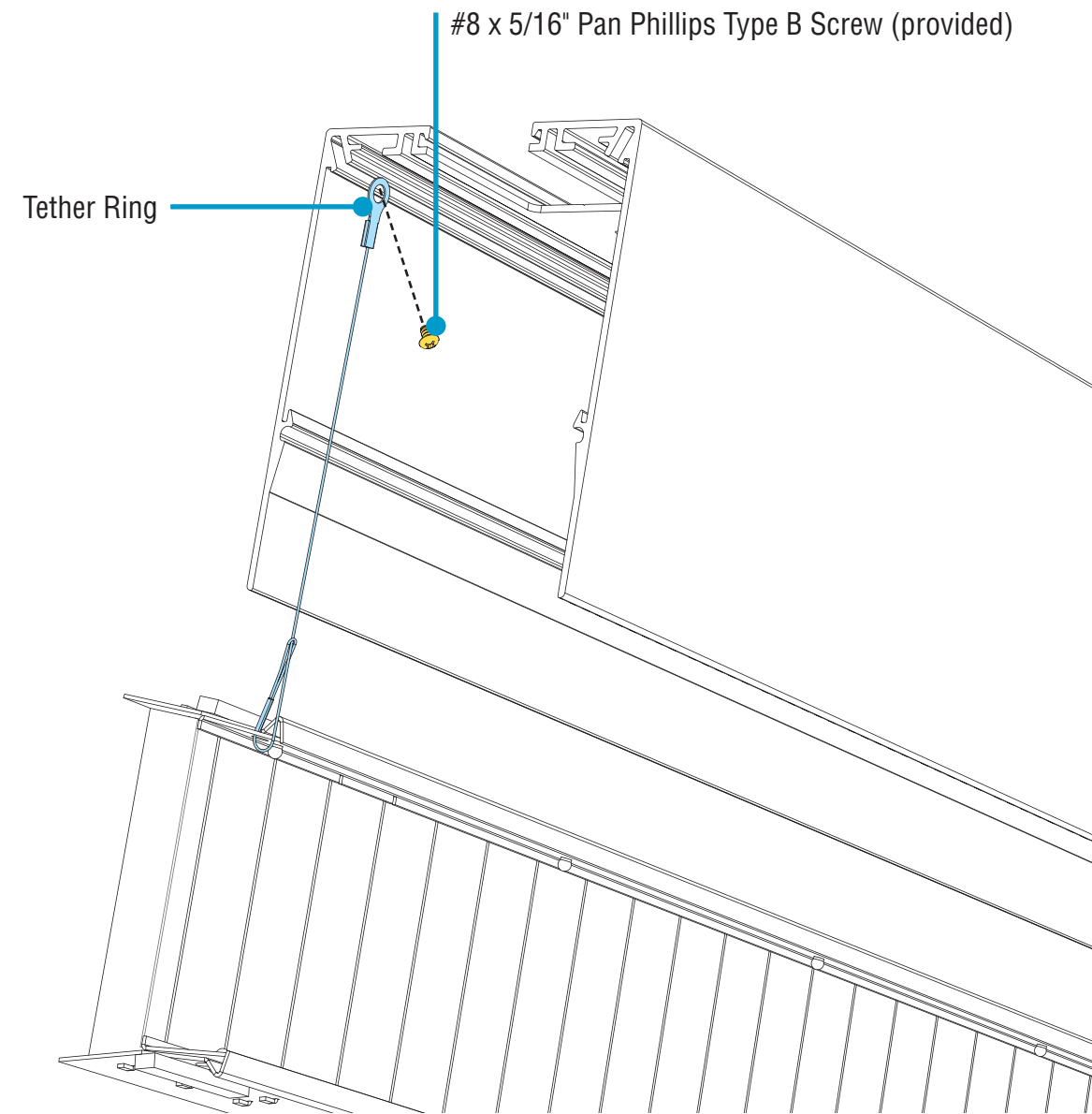
- Pull tether ring through tether loop to clinch and fully secure tether to baffle.



# HP-2 / HP-4 White Cross Blade Baffle Tether Addendum Installation Instructions

## Step 2 - Secure Tethers to Luminaire

**Secure Tethers to Luminaire** Bottom-Up View



- **NOTE:** There are two tethers per baffle (one on each end).
- Secure each tether ring to channel of luminaire body using #8 x 5/16" Pan Phillips Type B screw.
- Install baffle into luminaire body, ensuring it snaps in place.
- Turn power on to luminaires.



Tether  
(provided)



#8 x 5/16" Pan Phillips Type B Screw  
(provided)