

# HP-2 / HP-4 / HP-6 Ceiling to Wall Inside Corner Installation Instructions

Regressed Luminaires Use Same Instructions

## Overview

### NOTES

- If luminaire contains a sensor or socket refer to the appropriate Addendum.
- All power connections should be installed according to local/national codes by a Certified Electrician.
- This installation requires **proper support** as each luminaire is being installed.
- **DO NOT attempt to join luminaires together on the floor.** Damage may result when lifted.



HELPFUL  
VIDEOS



0-10V  
Dimming



Effortless  
Access



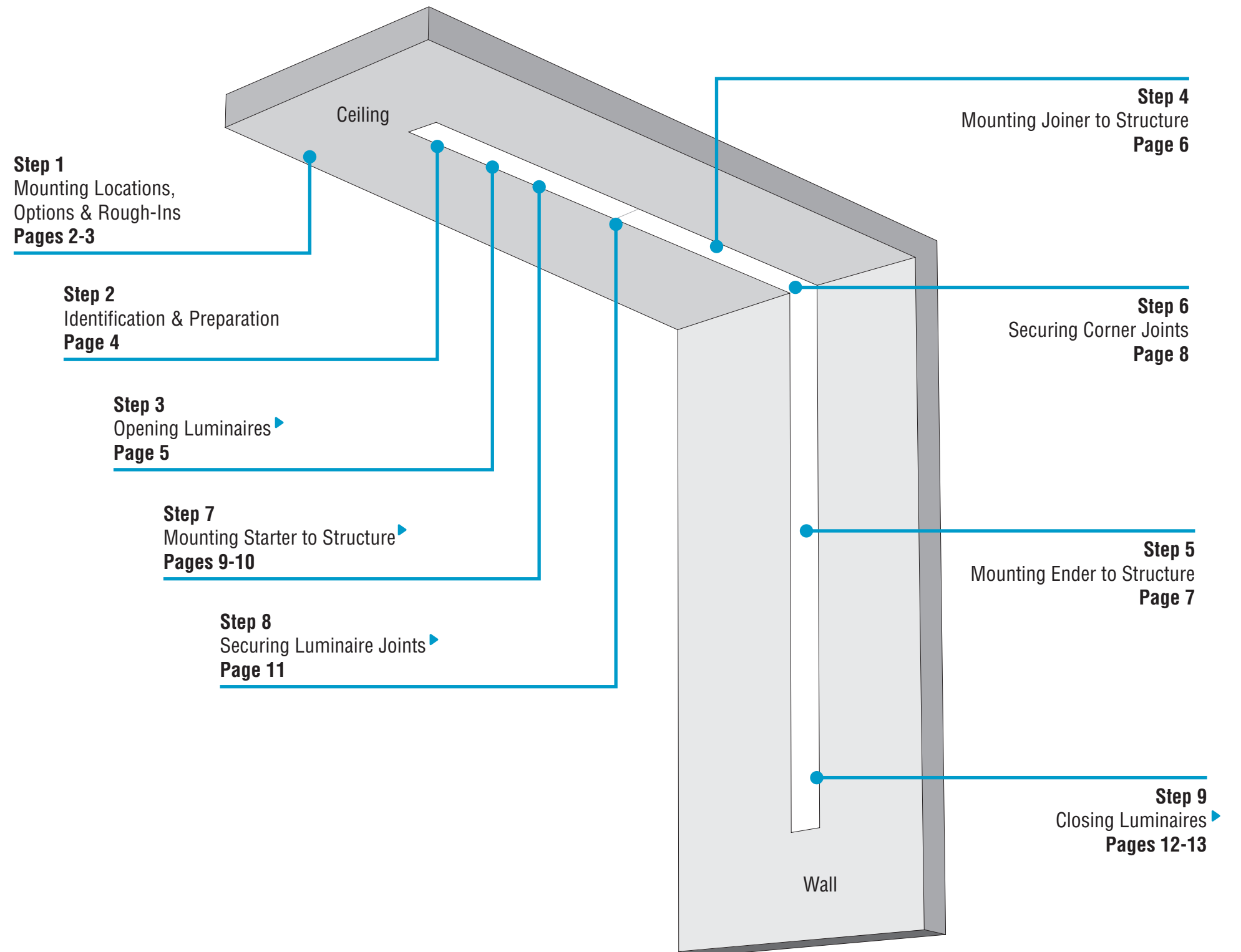
Socket Removal  
& Installation



Universal &  
Robust Joints



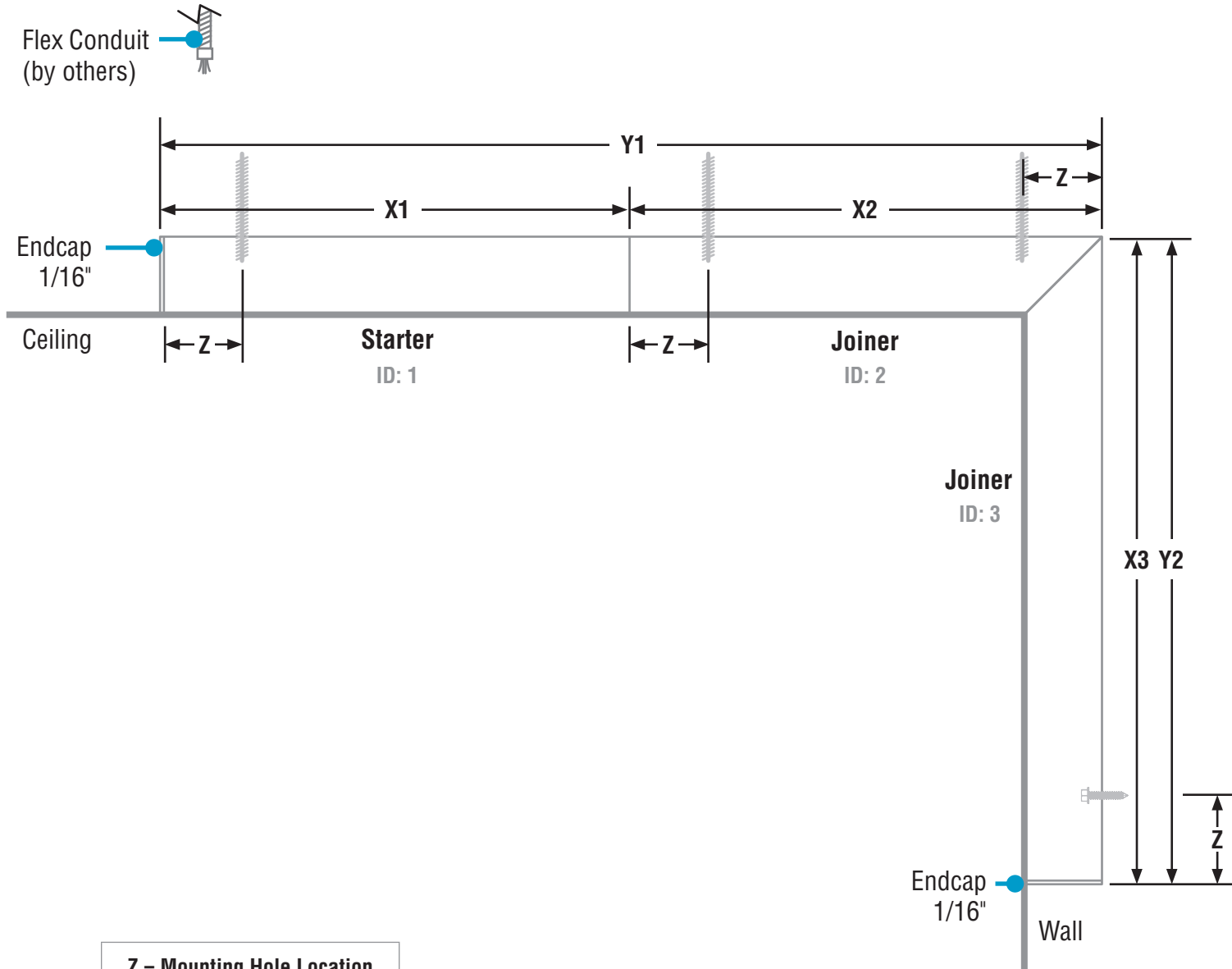
Simple  
Plug-Together  
Wiring



# HP-2 / HP-4 / HP-6 Ceiling to Wall Inside Corner Installation Instructions

## Step 1 - Mounting Locations, Options & Rough-Ins

### Total Run Length

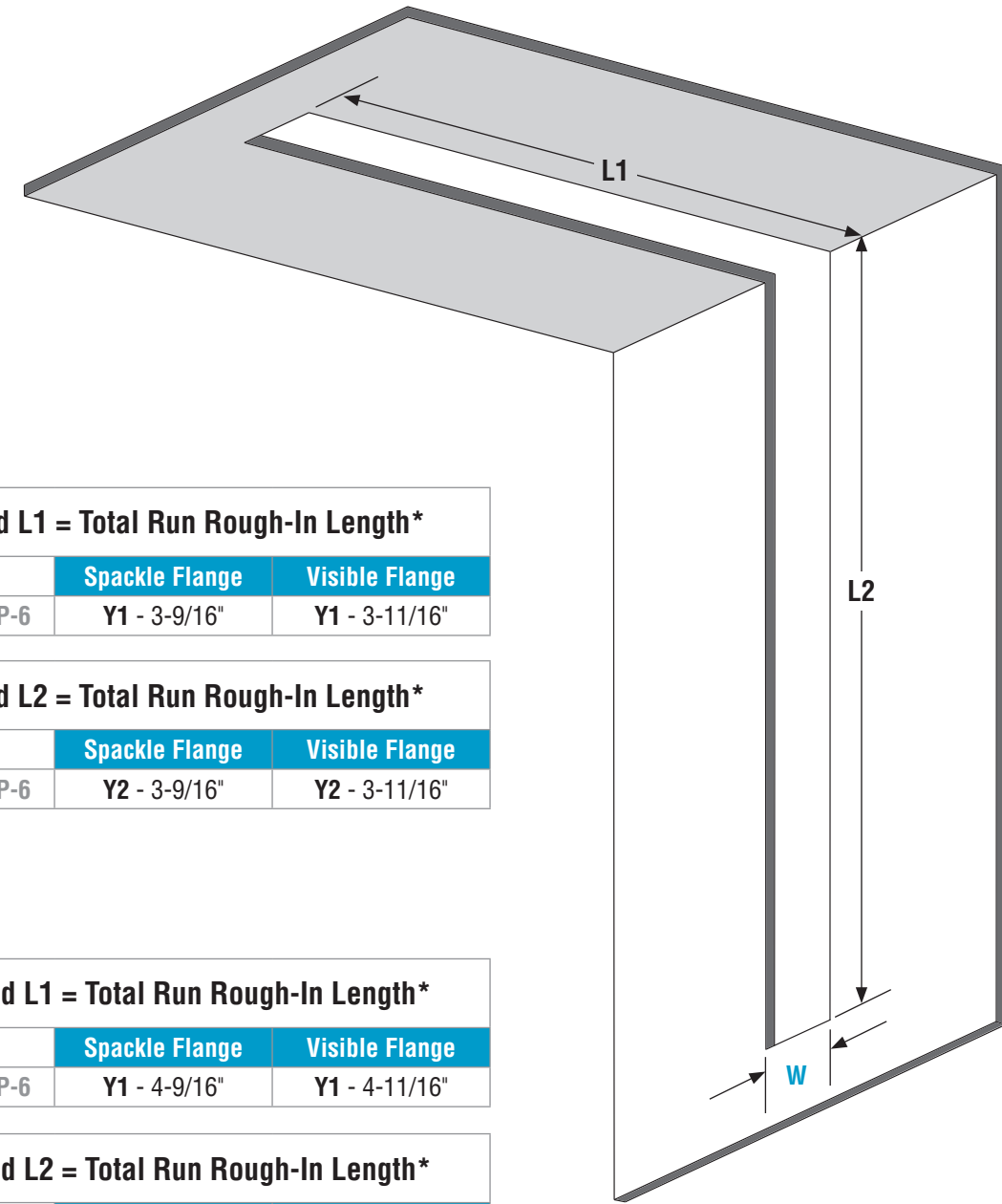


Z = Mounting Hole Location (Does not include endcaps)	
HP-2	5"
HP-4	6"
HP-6	6-1/2"

**X** = Luminaire section length (**does not include** endcaps)  
**Y1** = Total run length of luminaire, depending on your build (**Includes** 1/16" for endcap)  
**Y2** = Total run length of luminaire, depending on your build (**Includes** 1/16" for endcap)  
**Z** = Mounting hole location  
**Endcap** = 1/16"

Refer to Record Drawings and building plans to determine exact mounting, suspension points, and power feed locations.

### Rough-In Dimensions



Recessed L1 = Total Run Rough-In Length*		
	Spackle Flange	Visible Flange
HP-2, HP-4, HP-6	Y1 - 3-9/16"	Y1 - 3-11/16"

Recessed L2 = Total Run Rough-In Length*		
	Spackle Flange	Visible Flange
HP-2, HP-4, HP-6	Y2 - 3-9/16"	Y2 - 3-11/16"

Regressed L1 = Total Run Rough-In Length*		
	Spackle Flange	Visible Flange
HP-2, HP-4, HP-6	Y1 - 4-9/16"	Y1 - 4-11/16"

Regressed L2 = Total Run Rough-In Length*		
	Spackle Flange	Visible Flange
HP-2, HP-4, HP-6	Y2 - 4-9/16"	Y2 - 4-11/16"

**W** = Drywall Width (refer to page 3 for width)

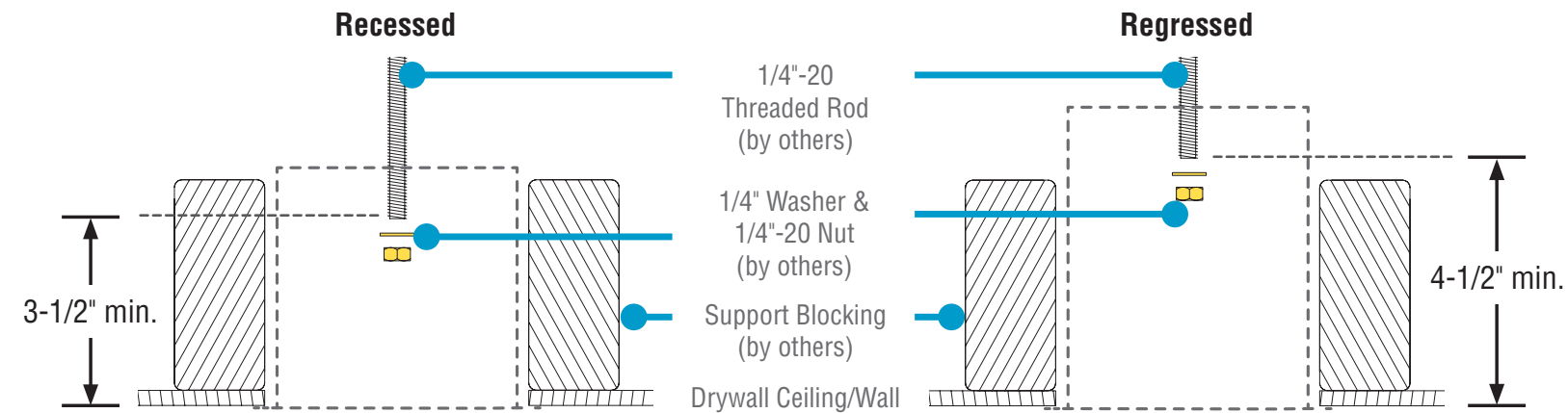
\* Tolerance: VF: +/- 1/16", SF: +/- 3/16"

# HP-2 / HP-4 / HP-6 Ceiling to Wall Inside Corner Installation Instructions

## Step 1 - Mounting Locations, Options & Rough-Ins

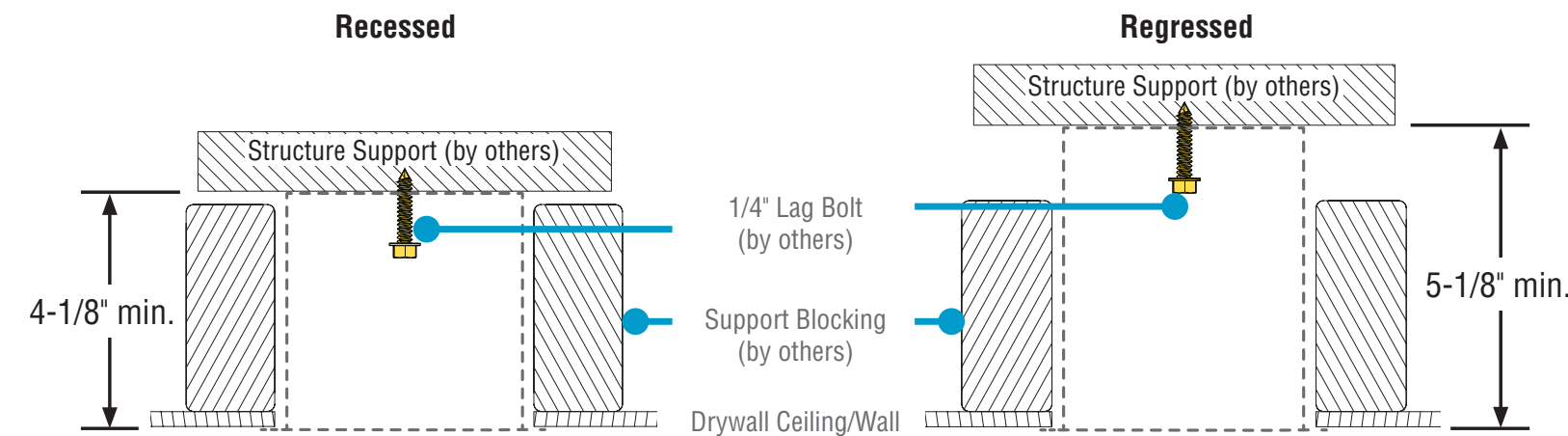
### Mounting Options

#### Option 1 - Mount to Threaded Rod



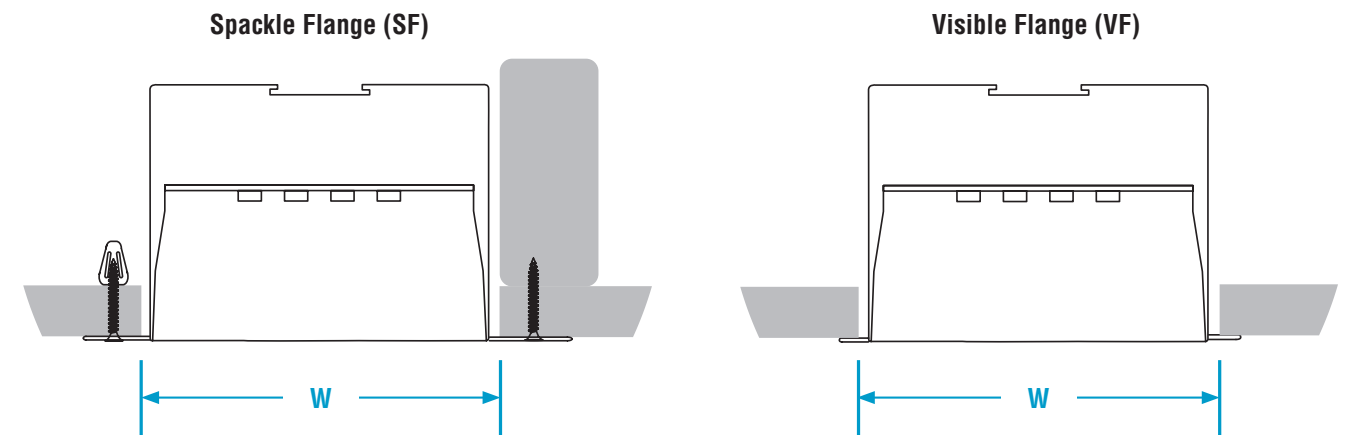
- Install threaded rods to structure<sup>1</sup>.
- Provide 1-1/2" of exposed threaded rod for mounting.
- Install electrical junction box and electrical conduit at feed locations.

#### Option 2 - Mount to Support Structure



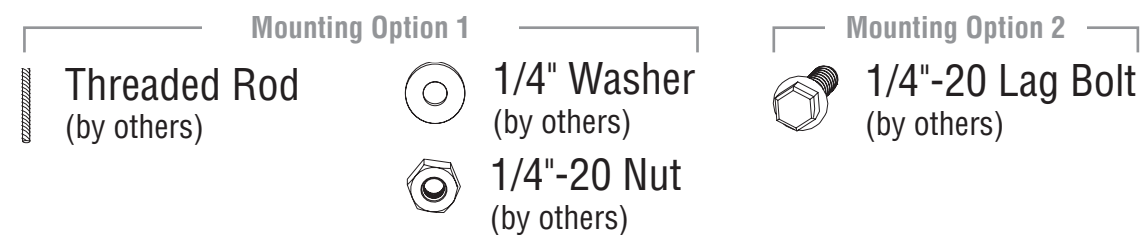
- Support blocking<sup>2</sup> must not exceed distance to wall/ceiling surface.
- Install electrical junction box and electrical conduit at feed locations.

### Rough-In Widths



	W = Rough-In Width*	
	Spackle Flange	Visible Flange
HP-2	3-1/8"	2-1/2"
HP-4	4-7/8"	4-1/4"
HP-6	6-1/8"	5-9/16"

- Use rough-in dimension table to the left and Record Drawings to determine rough-in measurements.
- Build wall/ceiling with rough-in according to rough-in dimensions.
- **CRITICAL:** Drywall or weak paneling must be secured to blocking (studs) around rough-in opening in the wall/ceiling.



<sup>1</sup> Wall/ceiling surface = drywall, wood, concrete or masonry, metal panels, tile, etc.

<sup>2</sup> Support blocking = Wooden beams/studs, sheet metal framing beams, steel beams, concrete beams, etc. Use hardware appropriate to the beam material.

# HP-2 / HP-4 / HP-6 Ceiling to Wall Inside Corner Installation Instructions

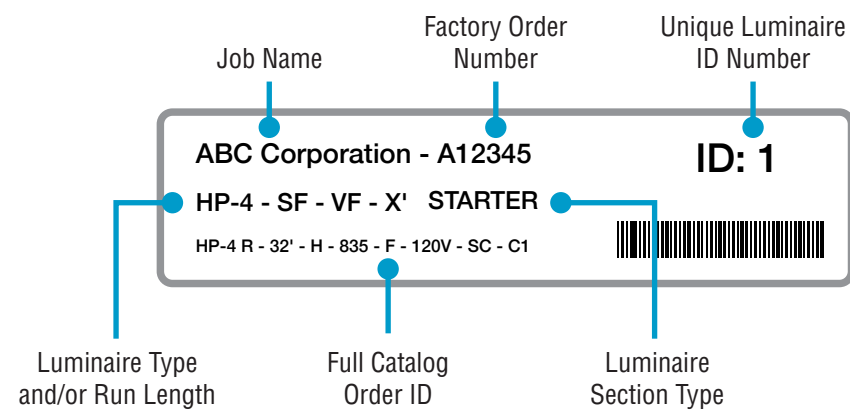
## Step 2 - Identification & Preparation

### A. Identify Luminaires



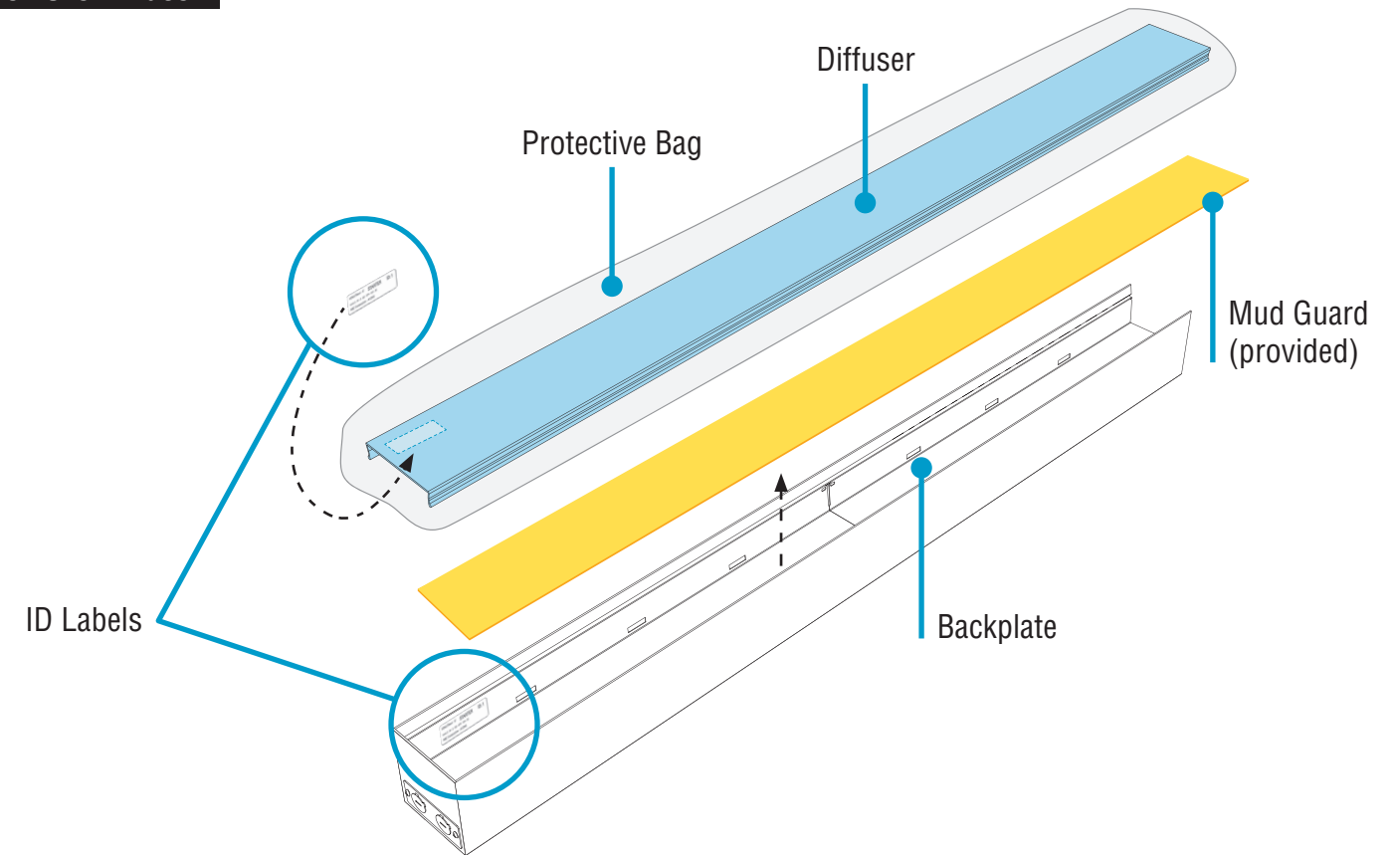
**CAUTION**

Arrange luminaires in order according to ID# at their install locations.



- Identify all luminaires by their ID label that can be found on the box, on the diffuser, and inside the luminaire.
- **NOTE:** Exact location of labels in these areas may vary.
- Remove all luminaires from their box.
- Refer to Record Drawings that can be found in the hardware kit.

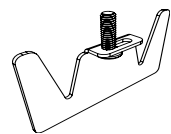
### B. Remove Diffuser



- Carefully remove all diffusers, keeping them inside their protective bags.
- Set aside all diffusers to prevent from getting dirty or damaged.
- Ensure diffusers can be clearly identified back to its corresponding luminaire.
- **CAUTION (Spackle Flange Only):** Carefully remove "Mud Guards" and keep them as they will be reinstalled in Step 9, B.

### Kitted Hardware

- Finelite has provided items listed here, with their Finelite part numbers. These items can be found in separate boxes shipped with the luminaire.
- Account for all parts and set aside until they are needed.
- All other hardware needed for this installation will be by others.



**Yoke Bracket**  
Part# 45042

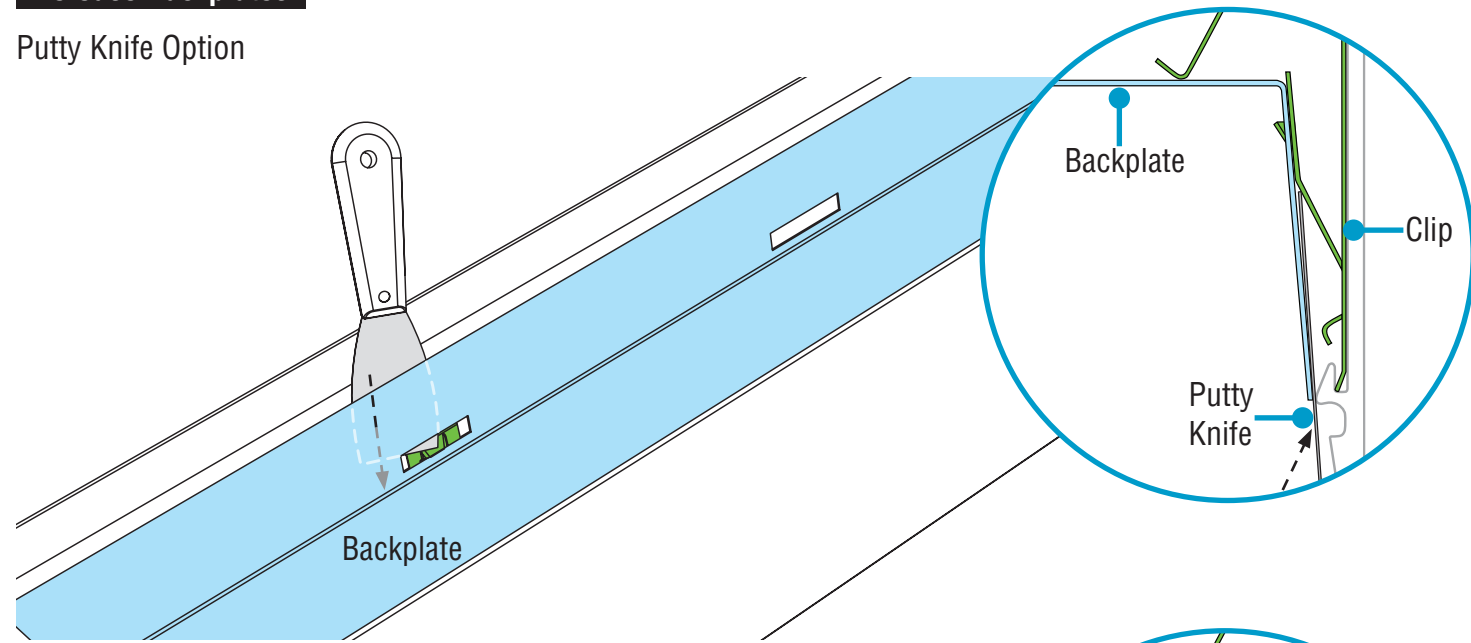
**#10-32 x 5/8" Screw**  
Part# 94144  
Securing Corner Joints  
p. 8, Step 6  
Securing Luminaire Joints  
p. 11, Step 8

# HP-2 / HP-4 / HP-6 Ceiling to Wall Inside Corner Installation Instructions

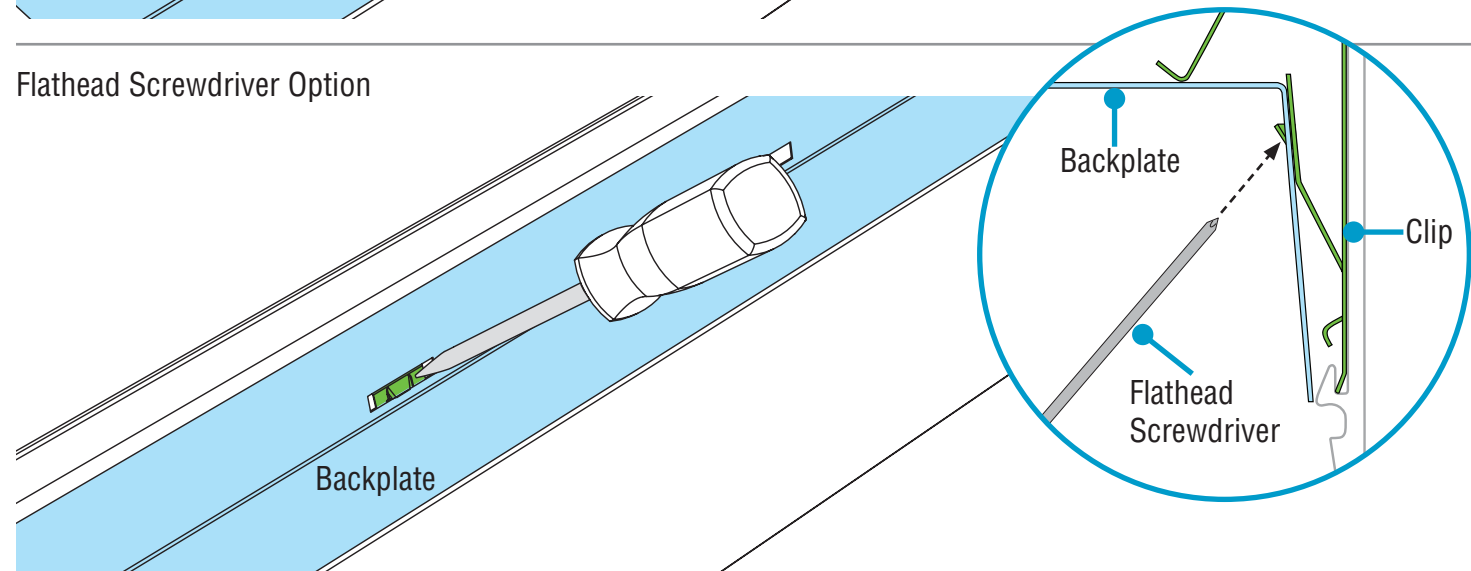
## Step 3 - Opening Luminaires

### Release Backplates

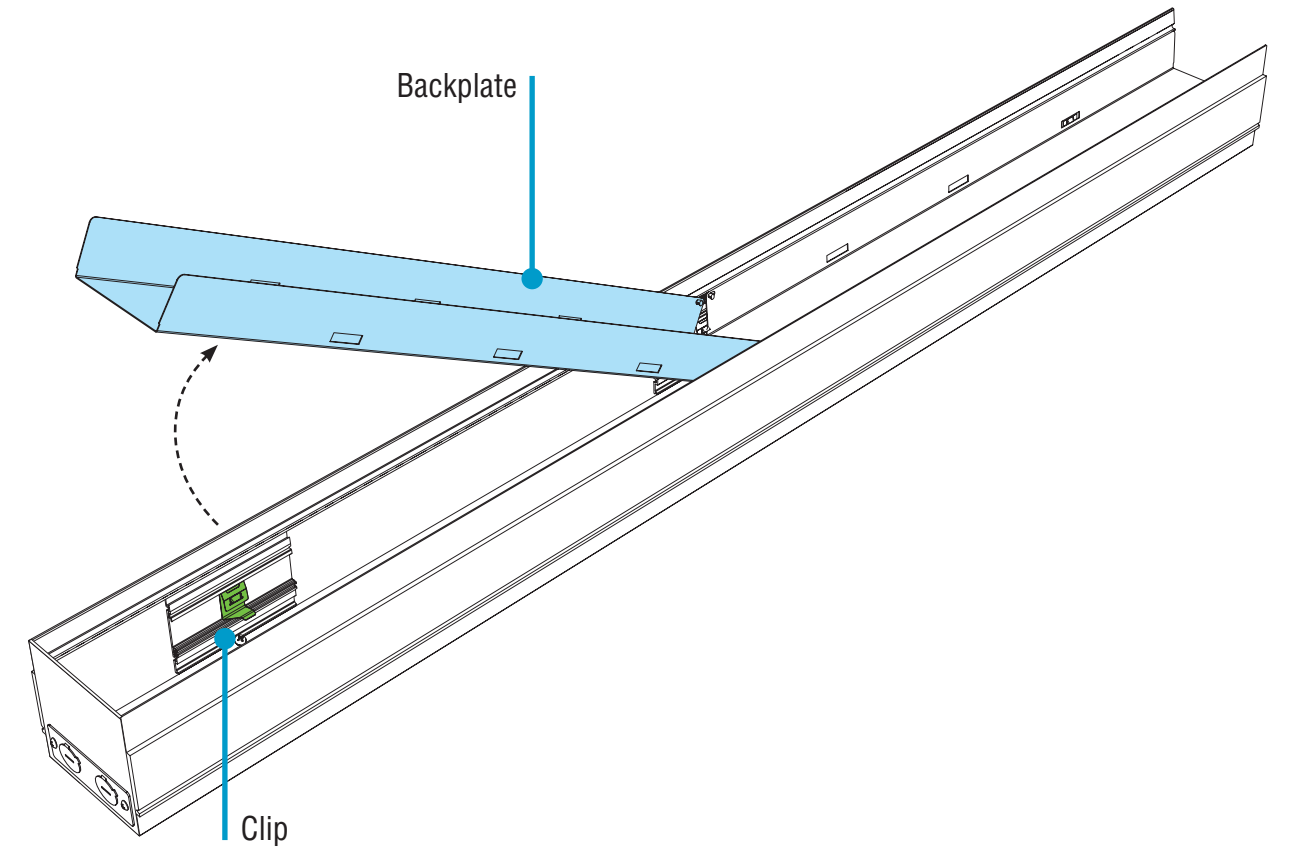
Putty Knife Option



Flathead Screwdriver Option



- Open all backplates for access to mounting points.
- Release the backplates from clips by sliding the blade of a putty knife behind backplate edges.
- To use a flathead screwdriver: From inside backplate, press end of screwdriver against the clip until the backplate is released.



- Carefully rotate backplates out and let them hang from luminaire body.

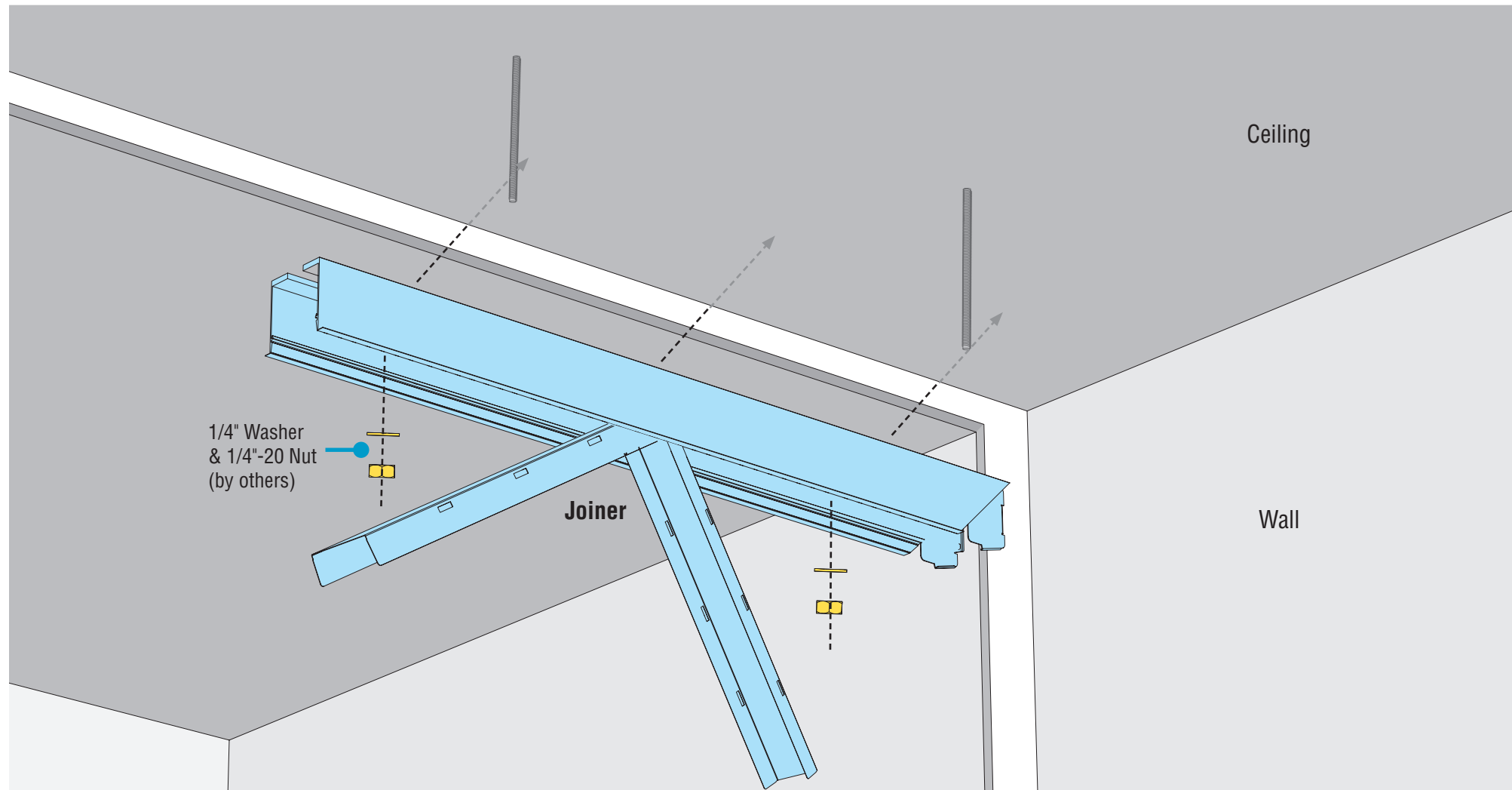


Effortless  
Access

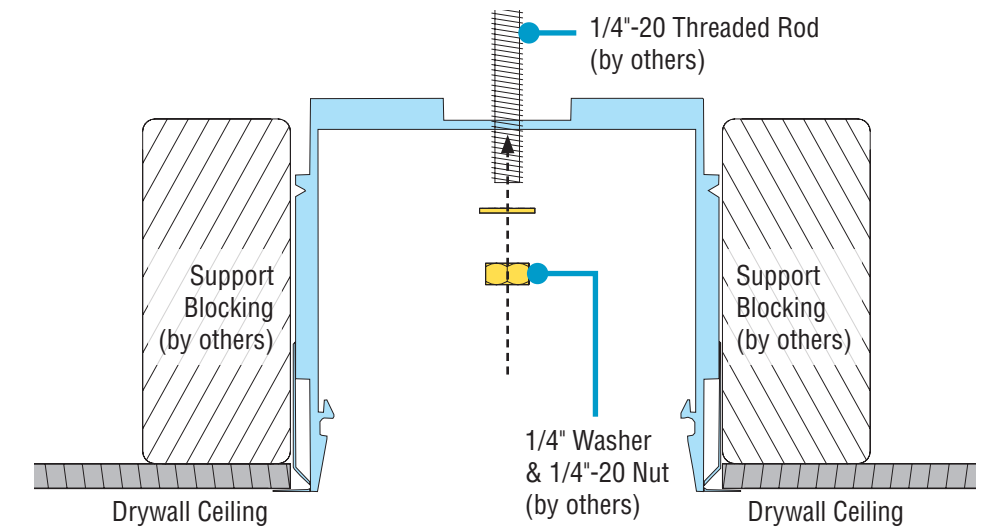
# HP-2 / HP-4 / HP-6 Ceiling to Wall Inside Corner Installation Instructions

## Step 4 - Mounting Joiner to Structure

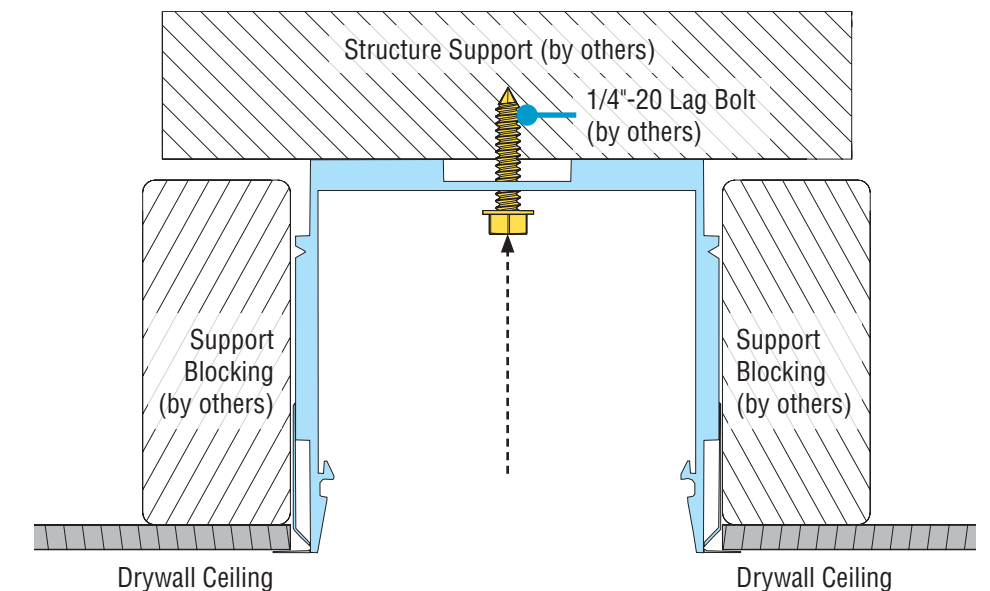
**Mount Joiner to Structure**



**Option 1 (Shown) - Mount to Threaded Rod**



**Option 2 - Mount to Structure**



**Option 1 (Shown) - Mount to Threaded Rod**

- Align threaded rods with mounting holes and slide luminaire into ceiling.
- Install 1/4"-20 nut and 1/4" washer onto 1/4"-20 threaded rod.
- **CRITICAL:** If installing a joiner/ender luminaire in the next step, leave the nut loose, allowing the luminaire to hang out of ceiling at an angle.

**Option 2 - Mount to Structure**

- Slide luminaire into ceiling and mount to structure support with hardware appropriate for the structure type.
- **CRITICAL:** If installing a joiner/ender luminaire in the next step, leave the bolt/screw loose, allowing luminaire to hang out of ceiling at an angle.

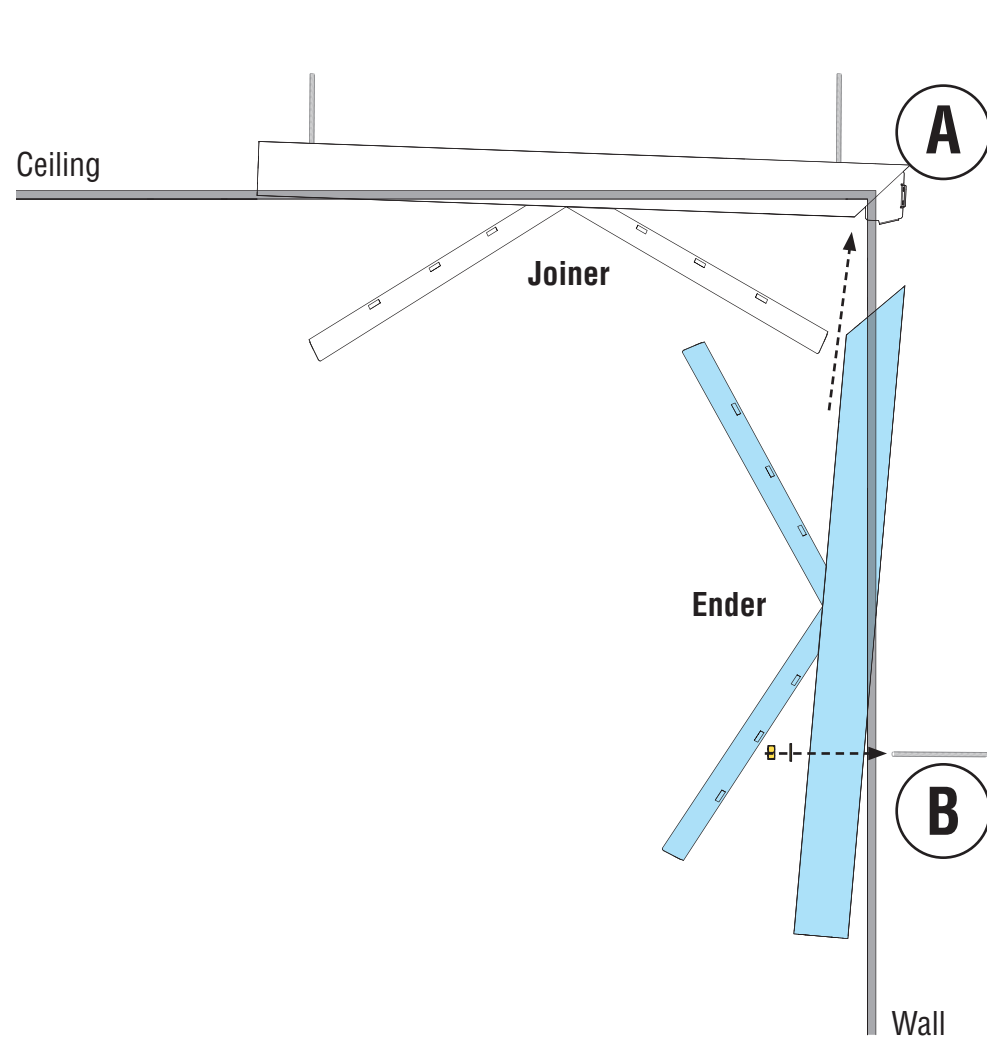
<b>Mounting Option 1</b>		<b>Mounting Option 2</b>	
Threaded Rod (by others)	1/4" Washer (by others)	1/4"-20 Lag Bolt (by others)	
	1/4"-20 Nut (by others)		



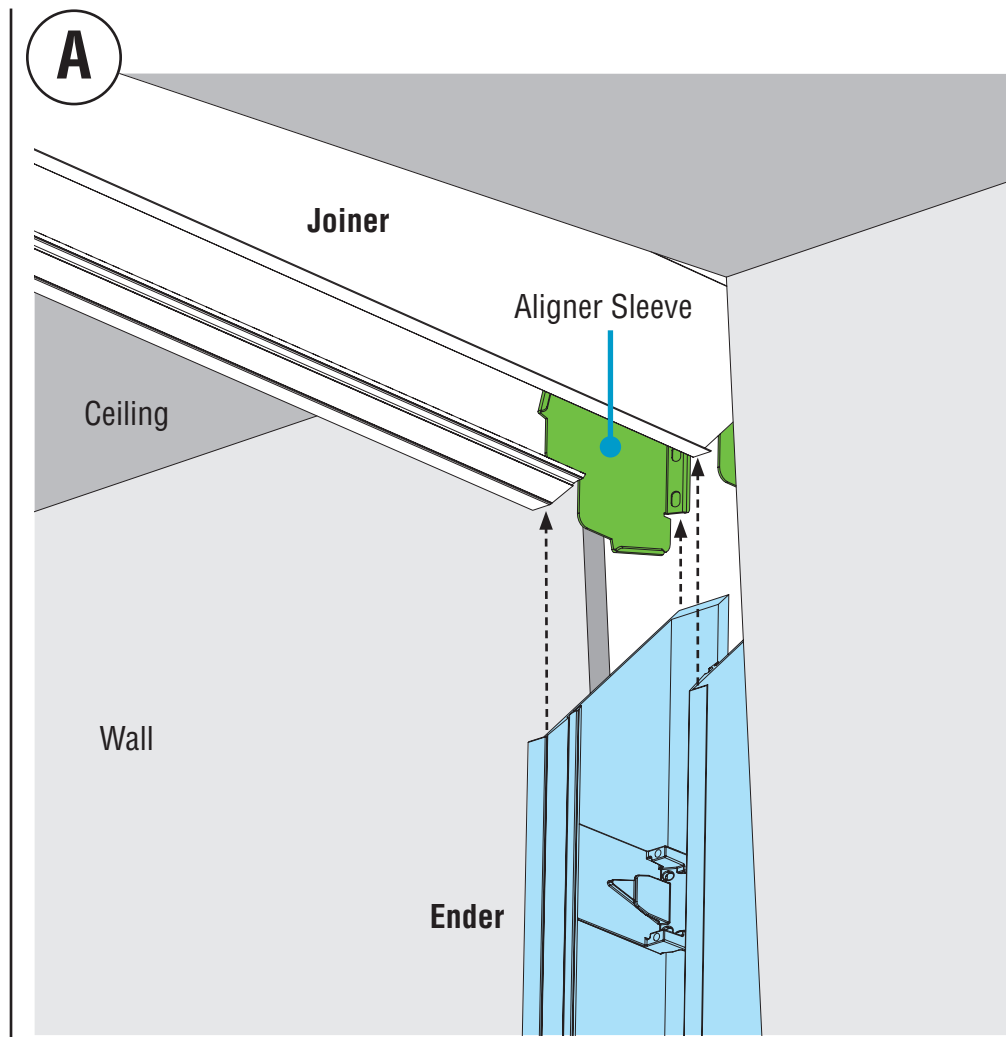
# HP-2 / HP-4 / HP-6 Ceiling to Wall Inside Corner Installation Instructions

## Step 5 - Mounting Ender to Structure

**Mount Ender to Structure**



- While properly supporting luminaire, maneuver luminaire near wall/ceiling opening.
- If necessary, loosen bolts on previous luminaire so that it can hang out of the opening at an angle.
- After installing a joiner, return to previous luminaire and tighten.

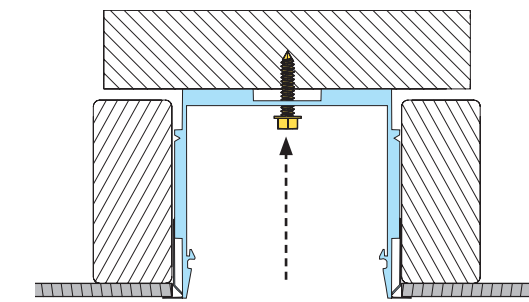


- Align ender with aligner sleeves on joiner and slide together. Be careful not to damage any wiring.
- If necessary, **lift** both luminaires, then slide together.



**Option 1 (Shown) - Mount to Threaded Rod**

- Align threaded rods with mounting holes and slide luminaire into wall/ceiling.
- Install 1/4"-20 nut and 1/4" washer onto 1/4"-20 threaded rod.
- **CRITICAL:** If installing a joiner/ender luminaire in the next step, leave the nut loose, allowing the luminaire to angle out of wall at an angle.



**Option 2 - Mount to Structure**

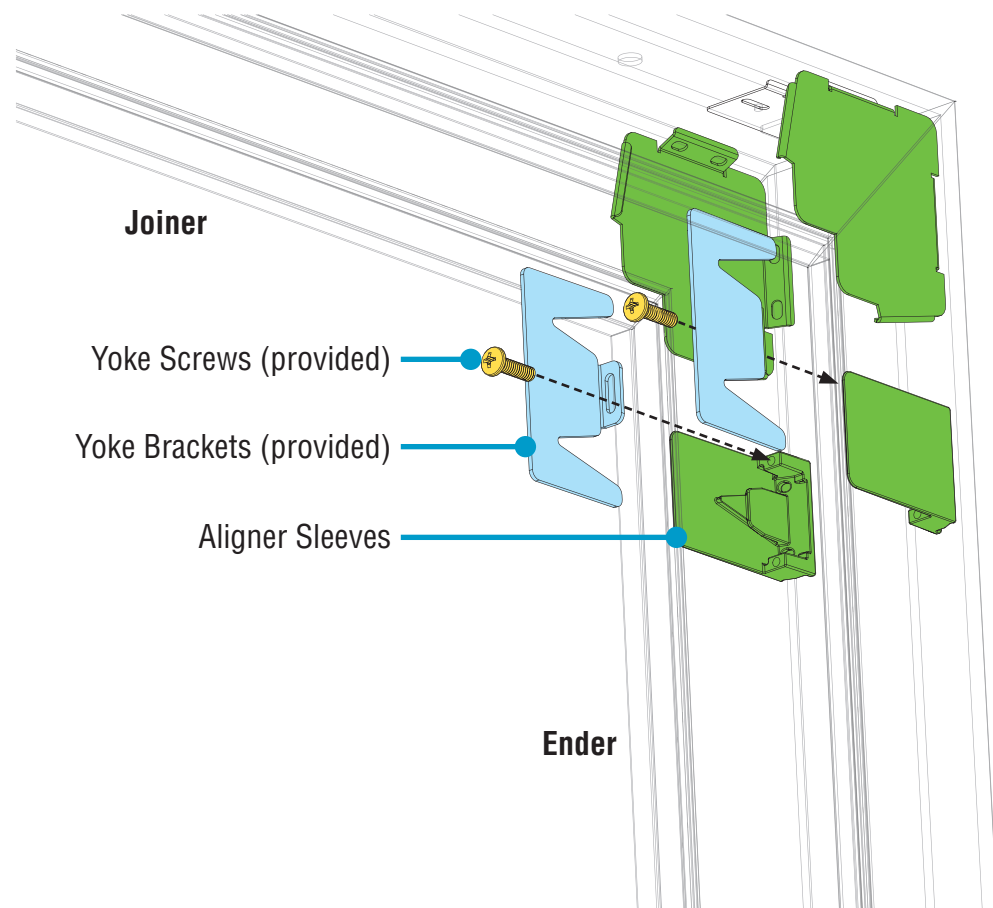
- Slide luminaire into wall/ceiling and mount to structure support with hardware appropriate for the structure type.
- **CRITICAL:** If installing a joiner/ender luminaire in the next step, leave the bolt/screw loose, allowing luminaire to hang out of wall at an angle.

<b>Mounting Option 1</b>		<b>Mounting Option 2</b>	
Threaded Rod (by others)	1/4" Washer (by others)	1/4"-20 Lag Bolt (by others)	
	1/4"-20 Nut (by others)		

# HP-2 / HP-4 / HP-6 Ceiling to Wall Inside Corner Installation Instructions

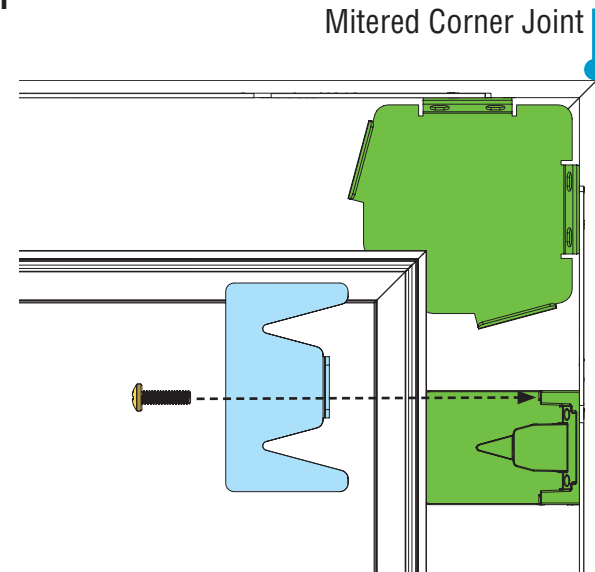
## Step 6 - Securing Corner Joints

### A. Secure Corner Joint with Yoke Brackets

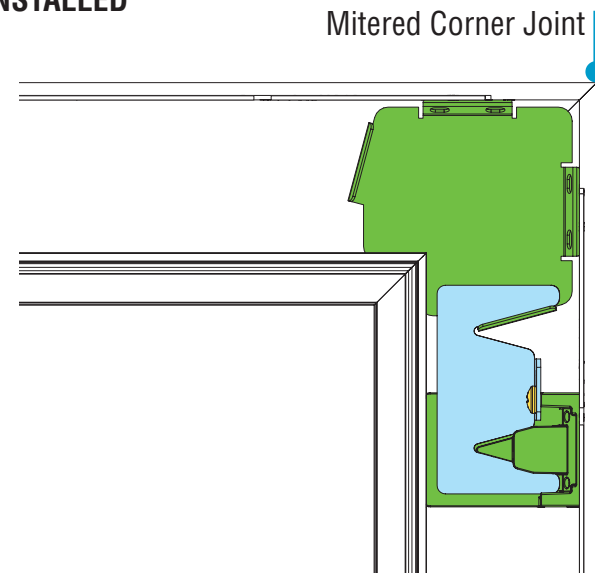


- Before installing yoke brackets, ensure the joining corners of luminaires meet flush and square.
- **CRITICAL:** Ensure yoke brackets properly engage with aligner sleeves.
- Secure joint by threading (but not yet tightening) yoke screws through yoke brackets and into aligner sleeves.

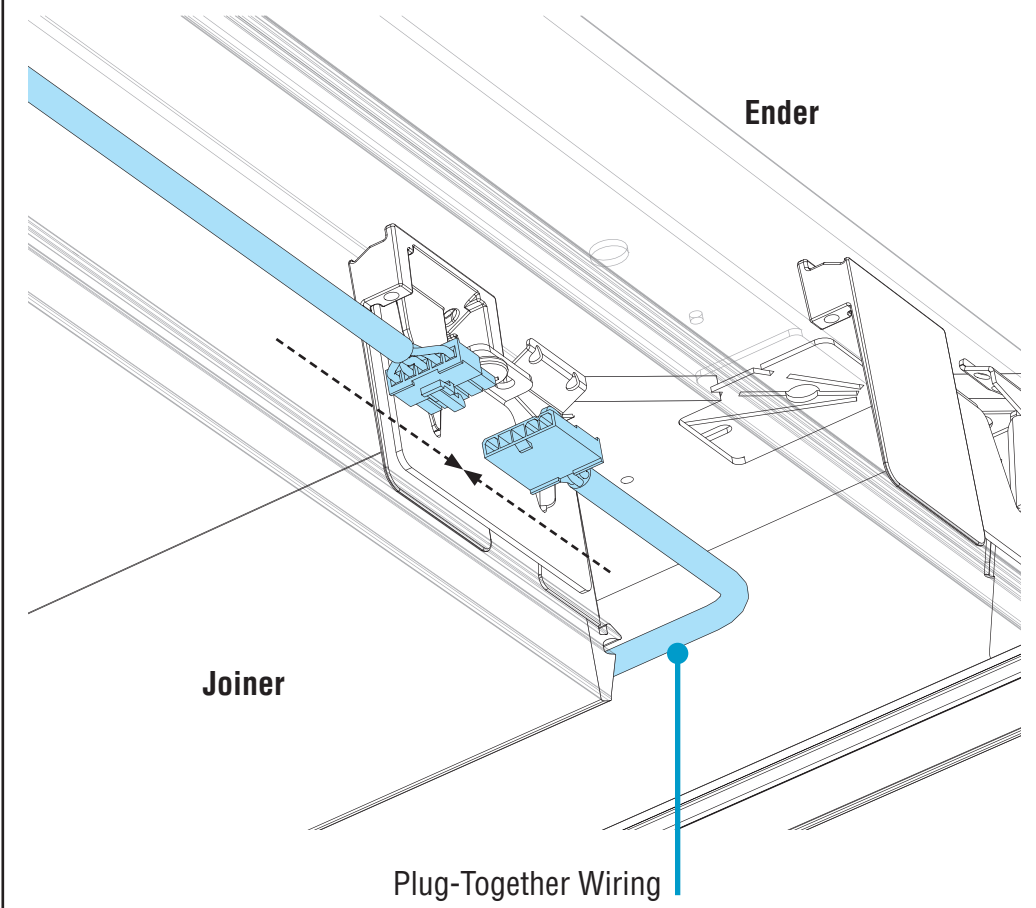
IN ALIGNMENT



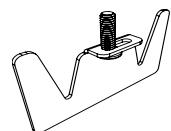
CORRECTLY INSTALLED



### B. Make Electrical Connections



- Connect plug-together wiring.



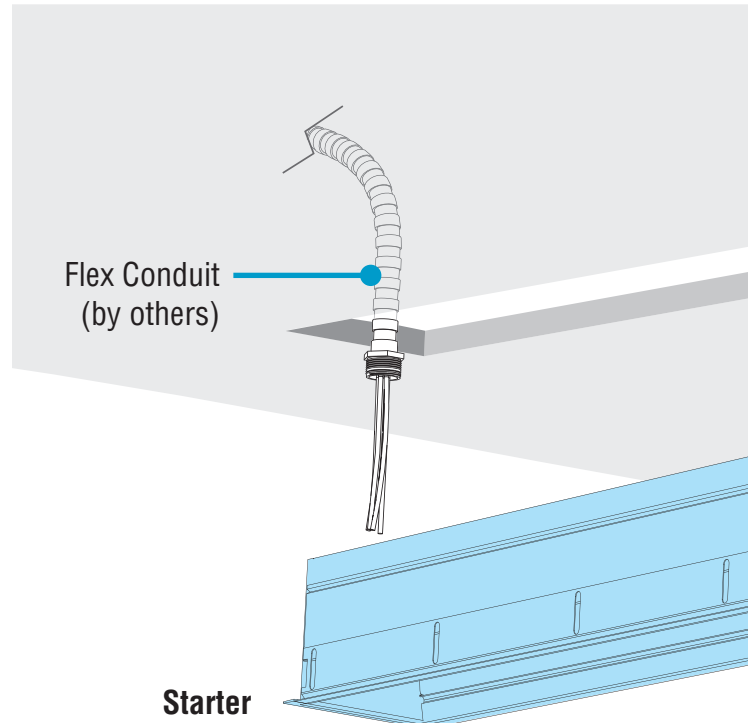
Yoke Bracket w/ Screw  
#10-32 x 5/8" (provided)



# HP-2 / HP-4 / HP-6 Ceiling to Wall Inside Corner Installation Instructions

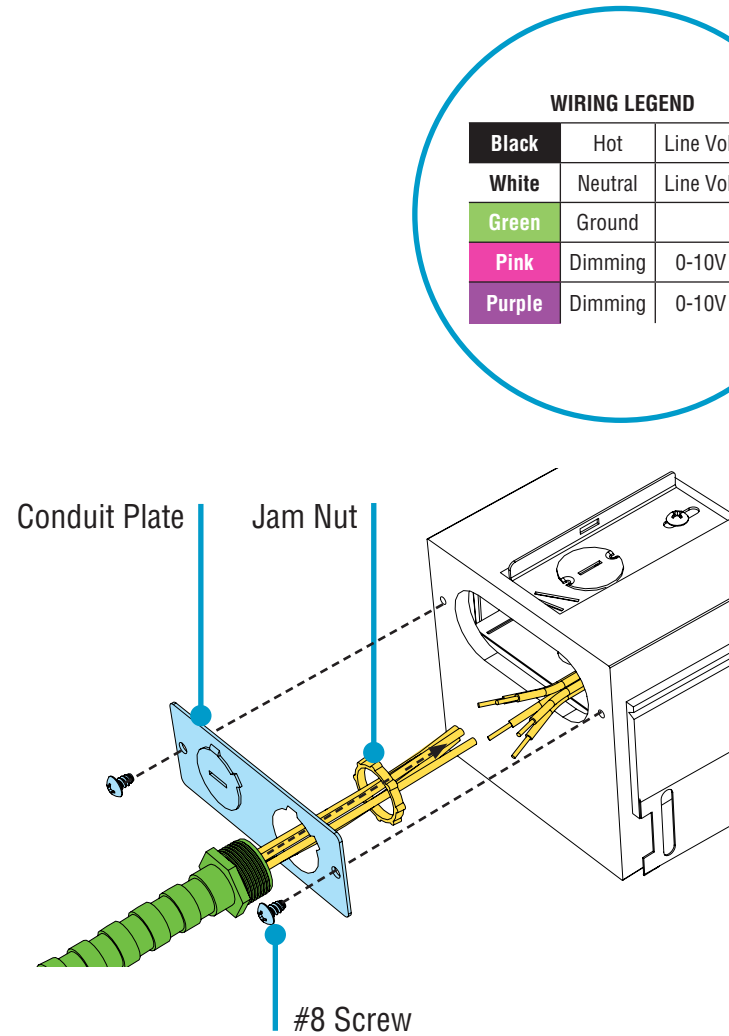
## Step 6 - Mounting Starter to Structure

### A. Make Electrical Connections



- While properly supporting luminaire, maneuver starter luminaire near ceiling opening.
- Make electrical connections at **ENDCAP**, at **TOP** or with a **SPLICE BOX**.

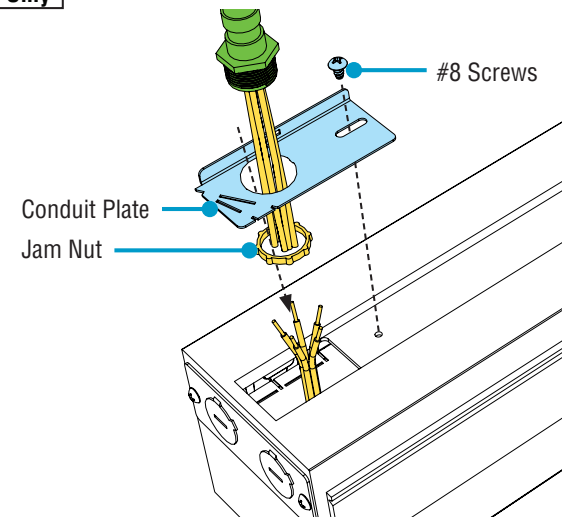
### B. Make Electrical Connections



#### CONDUIT PLATE - ENDCAP (Standard)

- Remove two screws holding conduit plate.
- Install conduit and jam nut onto conduit plate.
- Wire-nut electrical connections. See wiring legend above.
- Reinstall conduit plate and screws. Do not damage any wires.

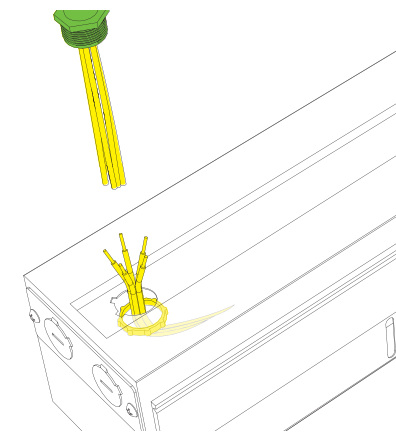
#### HP-4 Only



#### CONDUIT PLATE - TOP (Optional: HP-4 ONLY)

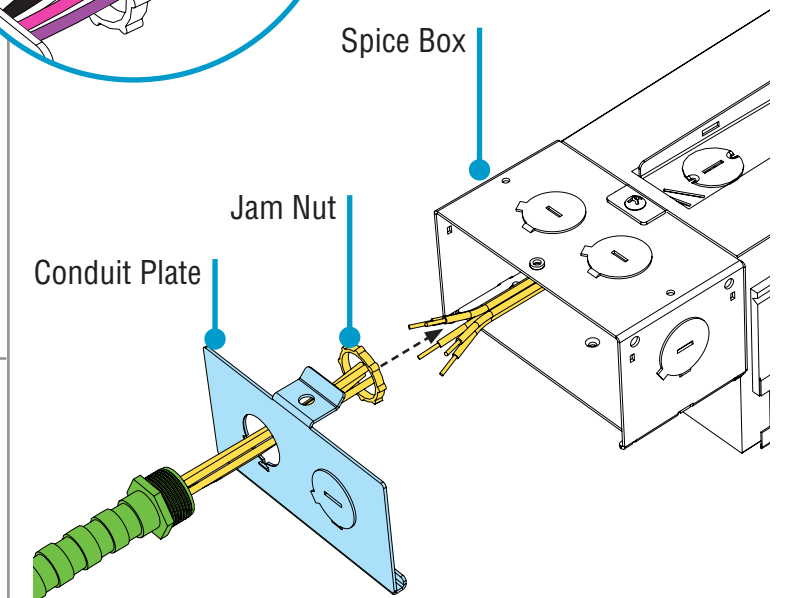
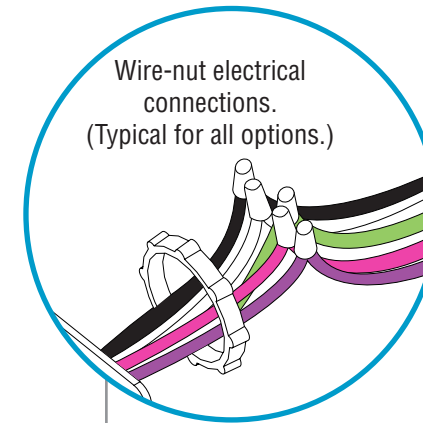
- Remove screw holding conduit plate.
- Install conduit and nut onto conduit plate.
- Wire-nut electrical connections. See wiring legend above.
- Reinstall conduit plate and screw. Do not damage any wires.

#### HP-2 & HP-6 Only



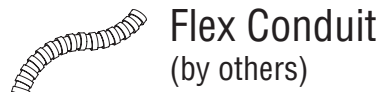
#### CONDUIT KO - TOP (Optional: HP-2, HP-6 ONLY)

- Install conduit and nut onto KO.
- Wire-nut electrical connections. See wiring legend above.



#### SPLICE BOX (Optional)

- Lift tab to unsnap and remove splice box cover.
- Install conduit and nut onto splice box cover.
- Wire-nut electrical connections. See wiring legend above.
- Reinstall splice box cover. Do not damage any wires.



CONTINUED

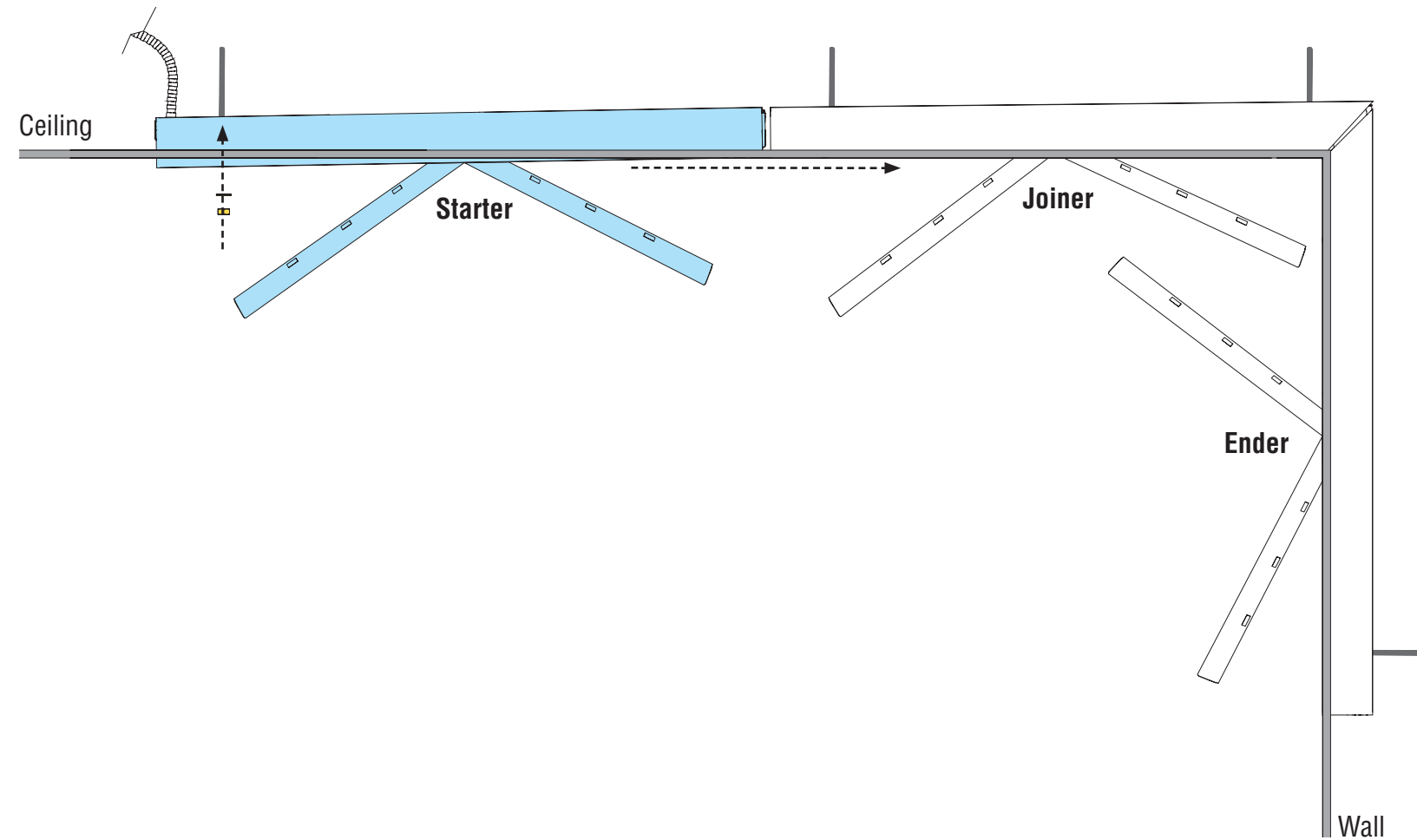


0-10V  
Dimming

# HP-2 / HP-4 / HP-6 Ceiling to Wall Inside Corner Installation Instructions

## Step 7 - Mounting Starter to Structure

### A. Mount Starter to Structure



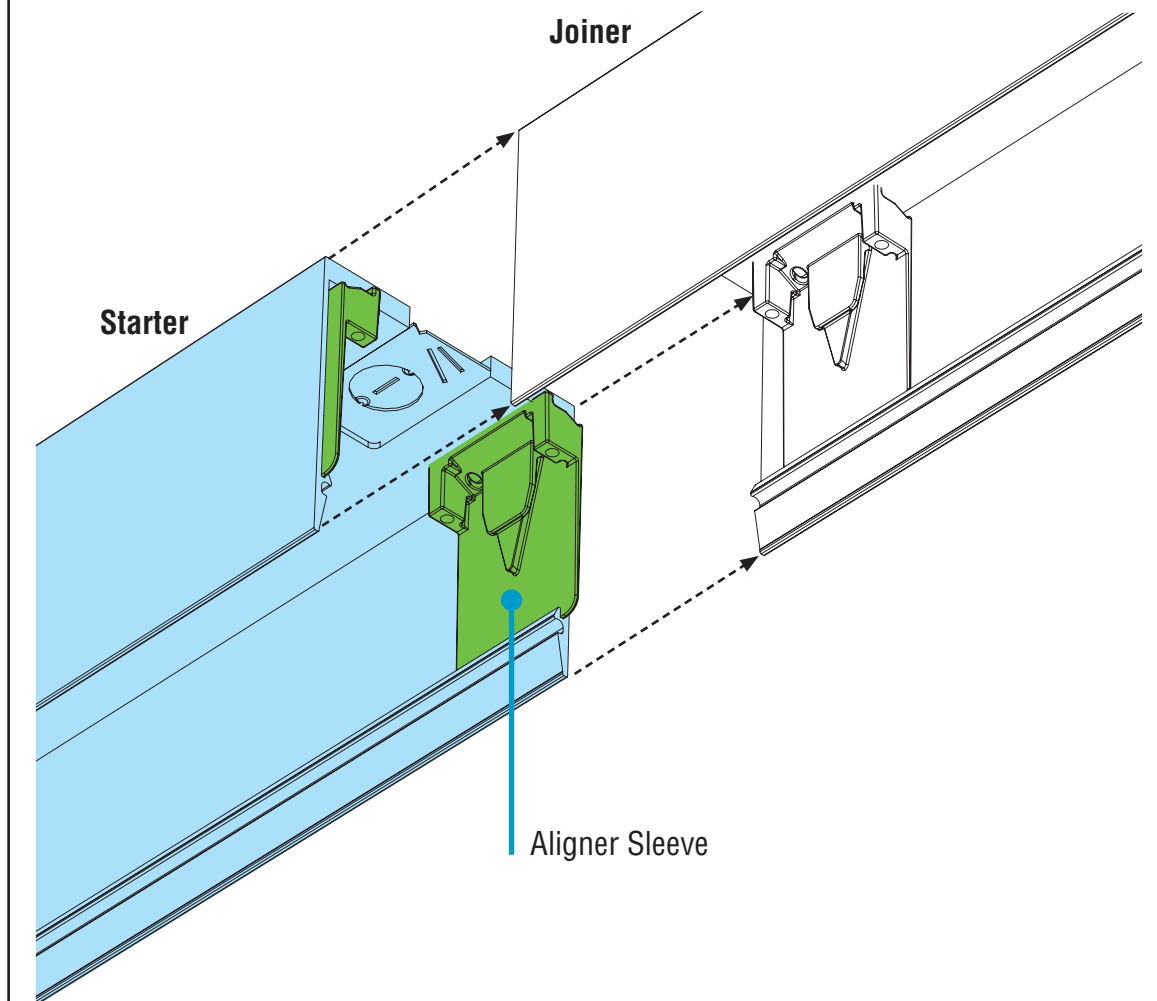
#### Option 1 (Shown) - Mount to Threaded Rod

- Align threaded rods with mounting holes and slide luminaire into wall/ceiling.
- Install 1/4"-20 nut and 1/4" washer onto 1/4"-20 threaded rod.
- **CRITICAL:** If installing a joiner/ender luminaire in the next step, leave the nut loose, allowing the luminaire to hang out of ceiling at an angle.
- If there is no joiner/ender, then tighten nuts fully.

#### Option 2 - Mount to Structure

- Slide luminaire into wall/ceiling and mount to structure support with hardware appropriate for the structure type.
- **CRITICAL:** If installing a joiner/ender luminaire in the next step, leave the bolt/screw loose, allowing luminaire to hang out of ceiling at an angle.
- If there is no joiner/ender, then tighten nuts fully.

### B. Join Luminaires



- Align starter aligner sleeves with joiner and slide together. Be careful not to damage any wiring.
- If necessary, **lift** both luminaires, then slide together.

**Mounting Option 1**

Threaded Rod  
(by others)

1/4" Washer  
(by others)

1/4"-20 Nut  
(by others)

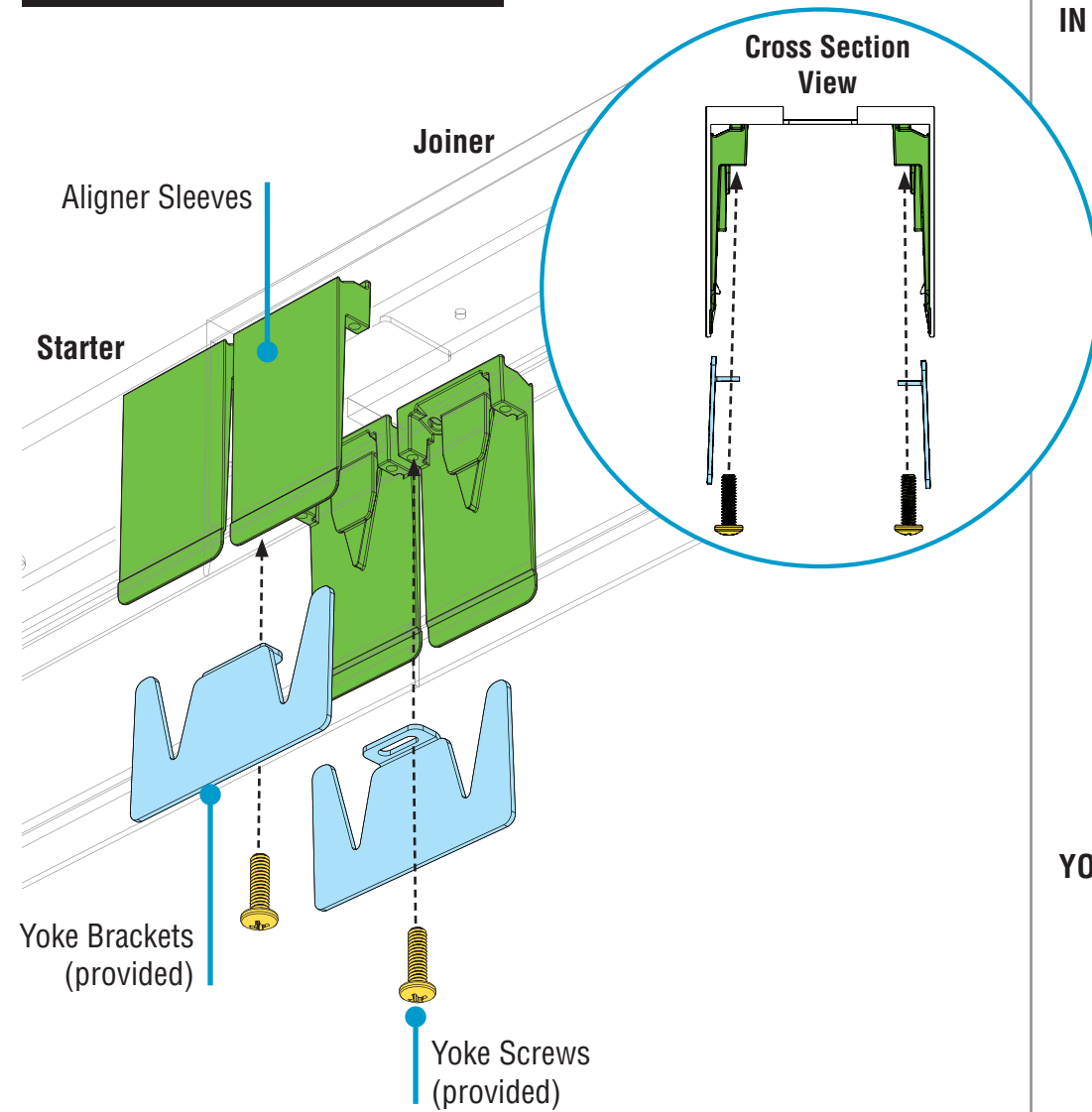
**Mounting Option 2**

1/4"-20 Lag Bolt  
(by others)

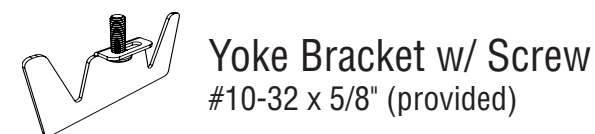
# HP-2 / HP-4 / HP-6 Ceiling to Wall Inside Corner Installation Instructions

## Step 8 - Securing Luminaire Joints

### A. Secure Joint with Yoke Brackets

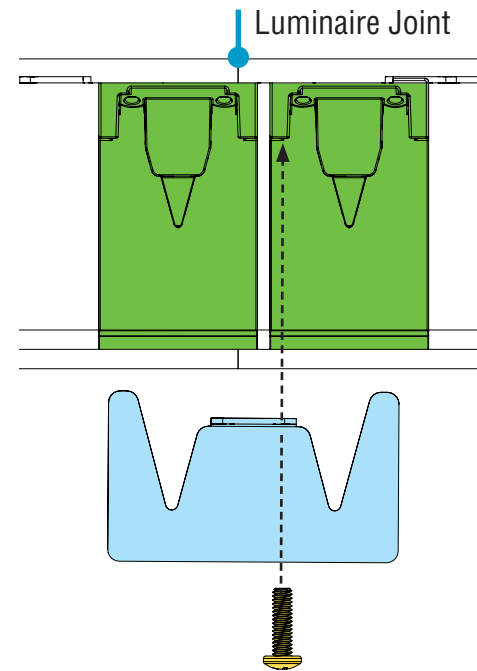


- **FOR SENSOR OR SOCKET:** If luminaire contains a sensor or socket at joint, refer to page 4 of appropriate Addendum before Securing Luminaire Joints.
- Before installing yoke brackets, ensure the joining ends of luminaires meet flush and square.
- **CRITICAL:** Ensure yoke brackets properly engage with aligner sleeves.
- Secure **all** joints by using a screwdriver<sup>1</sup> to tighten yoke screws through yoke brackets and into the aligner sleeves until joint seam of luminaire is closed.

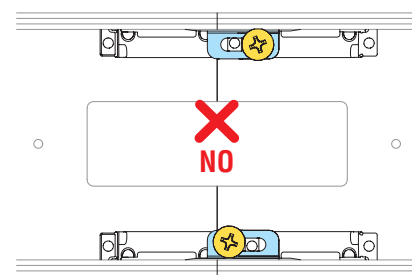


<sup>1</sup> Screwdriver with 6" bit required.

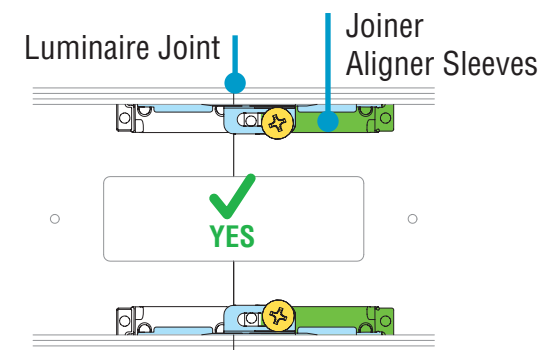
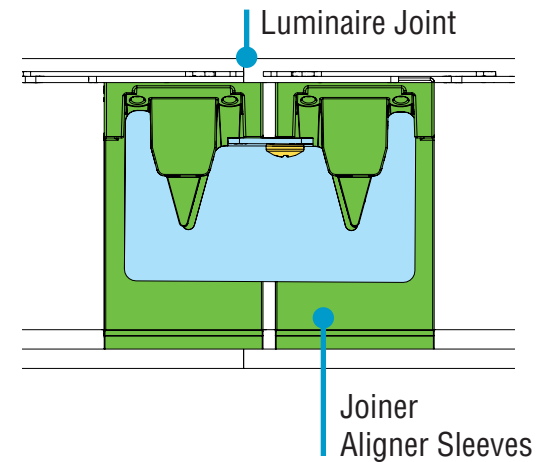
### IN ALIGNMENT



### YOKE SCREW ALIGNMENT Bottom-Up View

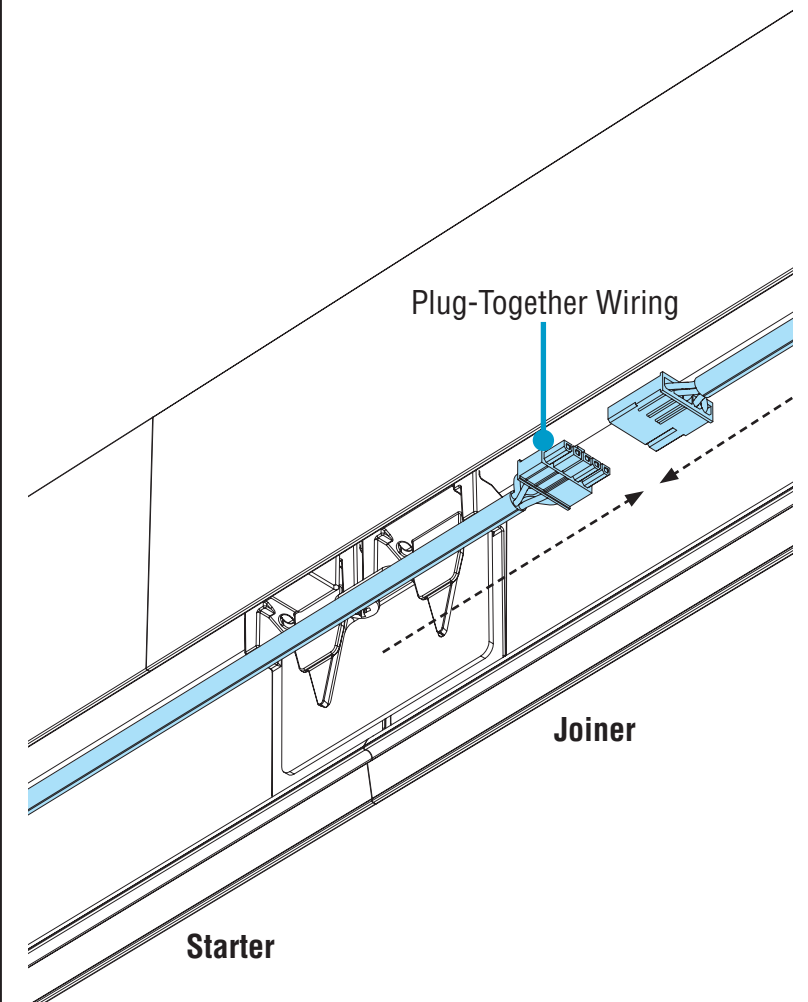


### CORRECTLY INSTALLED



**NOTE:** Yoke screws should be installed directly across from each other, not diagonally, and in holes furthest from the joint line. One yoke screw per one yoke bracket.

### B. Make Electrical Connections



- Connect plug-together wiring.



Socket Removal & Installation



Universal & Robust Joints

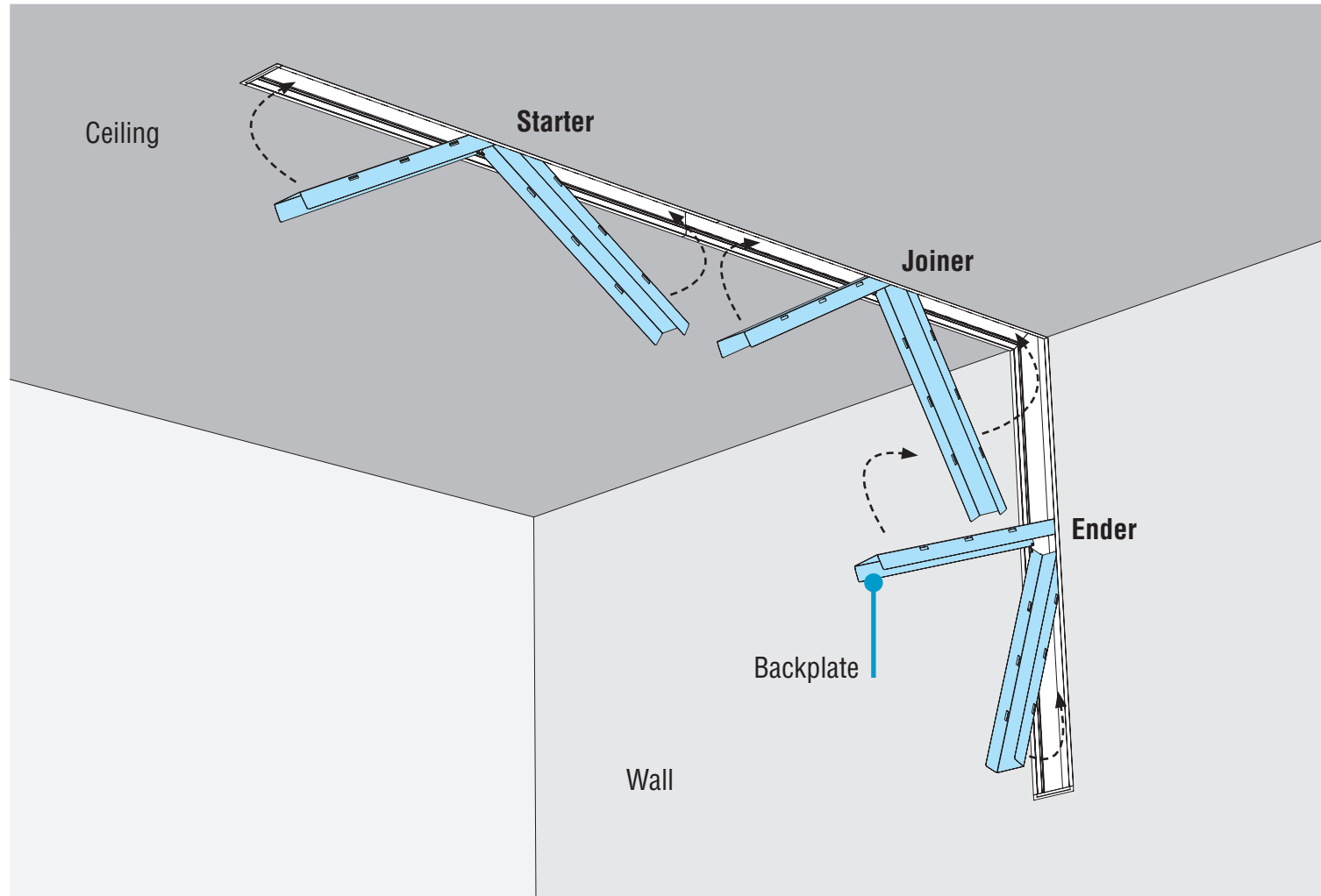


Simple Plug-Together Wiring

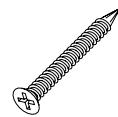
# HP-2 / HP-4 / HP-6 Ceiling to Wall Inside Corner Installation Instructions

## Step 9 - Closing Luminaires

### A. Close All Backplates



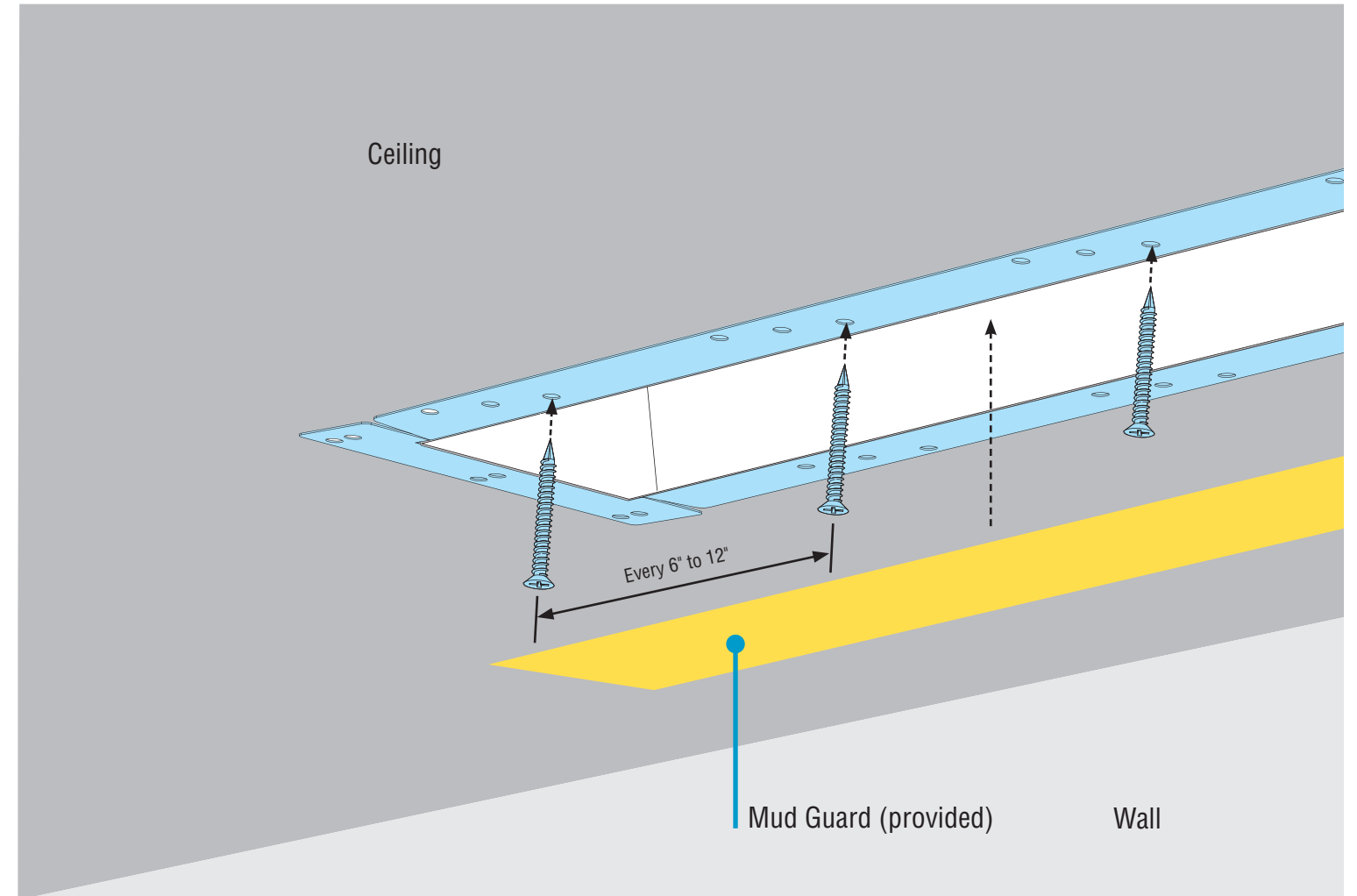
- **FOR SENSOR OR SOCKET:** If luminaire contains a sensor or socket at joint, refer to page 5 of appropriate Addendum before Closing Luminaires.
- Reinstall **all** backplates by snapping into clips.



Screws/Fasteners  
(by others)

<sup>1</sup> Screws or fasteners: drywall - drywall screws, wood - wood screws, etc.

### B. Secure Flange To Structure **Spackle Flange Only**



- Secure spackle flanges to wall/ceiling using appropriate screws or fasteners<sup>1</sup> for hard surface, per local building codes.
- Install the "mud guards" cardboard inserts to help prevent spackle and paint from getting into the luminaire.

CONTINUED



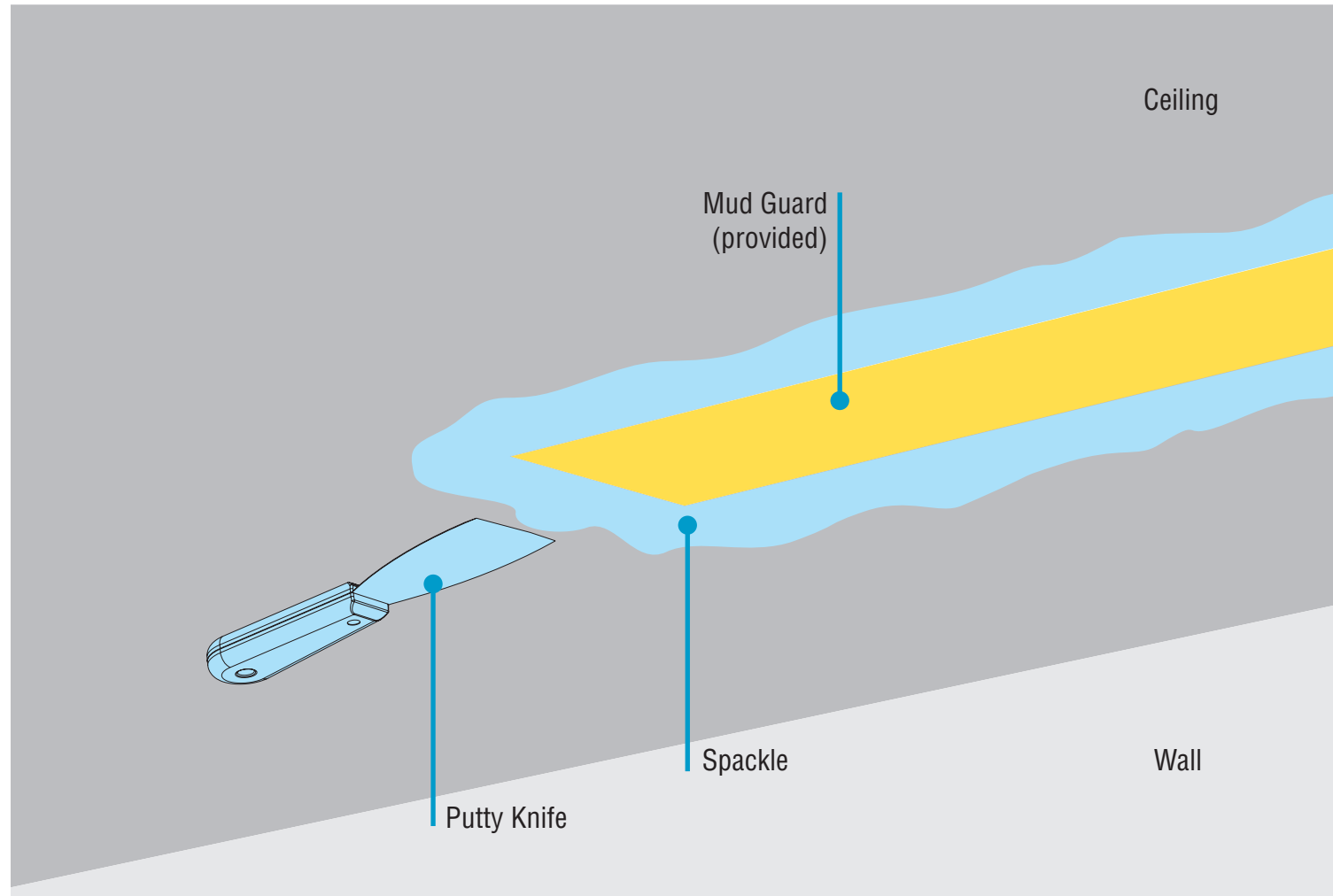
Socket Removal  
& Installation

12 of 13

# HP-2 / HP-4 / HP-6 Ceiling to Wall Inside Corner Installation Instructions

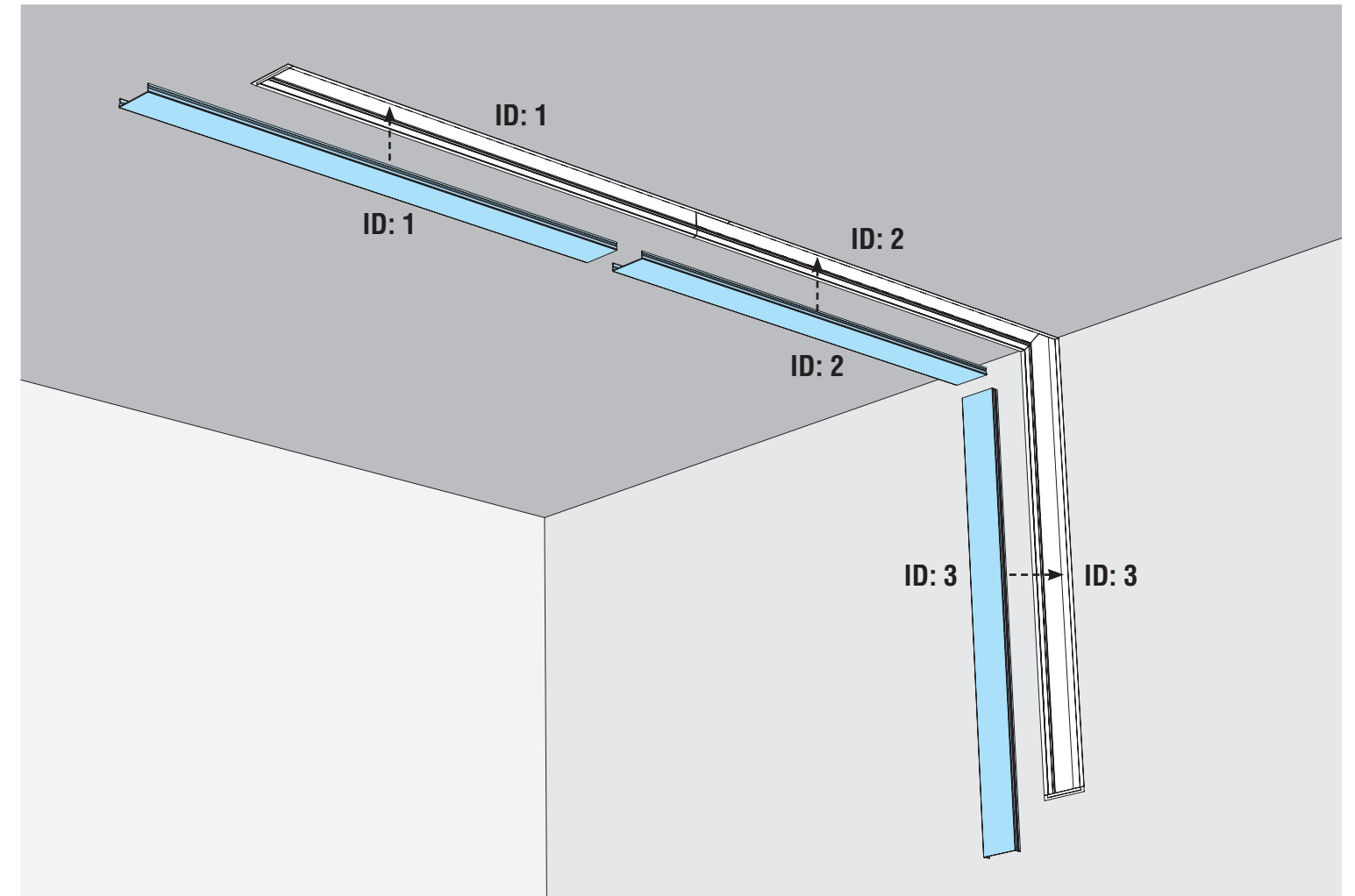
## Step 9 - Closing Luminaires

### C. Apply Spackle **Spackle Flange Only**



- Spackle and paint over flanges up to luminaire edge.
- **CAUTION:** Careful not to drop spackle into luminaire. Immediately wipe off excess spackle that may have gotten onto luminaire edges.
- Perform all spackling and painting to walls and ceiling prior to removing "mud guard".
- Remove all mud guards.

### D. Final Step - Replace Diffusers



- Remove diffusers from protective plastic bag.
- **CAUTION:** Wear gloves to keep diffuser surface clean.
- **CRITICAL:** Be sure to install correct diffuser to its corresponding luminaire ID.
- Install diffusers into luminaire body, ensuring they snap into place.
- Turn power on to luminaire.