

HP-2 / HP-4 / HP-6 Ceiling to Surface Mount Inside Corner Installation Instructions

Overview

NOTES

- If luminaire contains a sensor or socket refer to the appropriate Addendum.
- All power connections should be installed according to local/national codes by a Certified Electrician.
- This installation requires **proper support** as each luminaire is being installed.
- **DO NOT attempt to join luminaires together on the floor.** Damage may result when lifted.



HELPFUL VIDEOS



0-10V Dimming



Effortless Access



Socket Removal & Installation



Universal & Robust Joints



Simple Plug-Together Wiring

Step 1
Mounting Locations, Options & Rough-Ins
Pages 2-4

Step 2
Identification & Preparation
Page 5

Step 3
Opening Luminaires
Page 6

Step 6
Mounting Starter to Structure
Pages 9-10

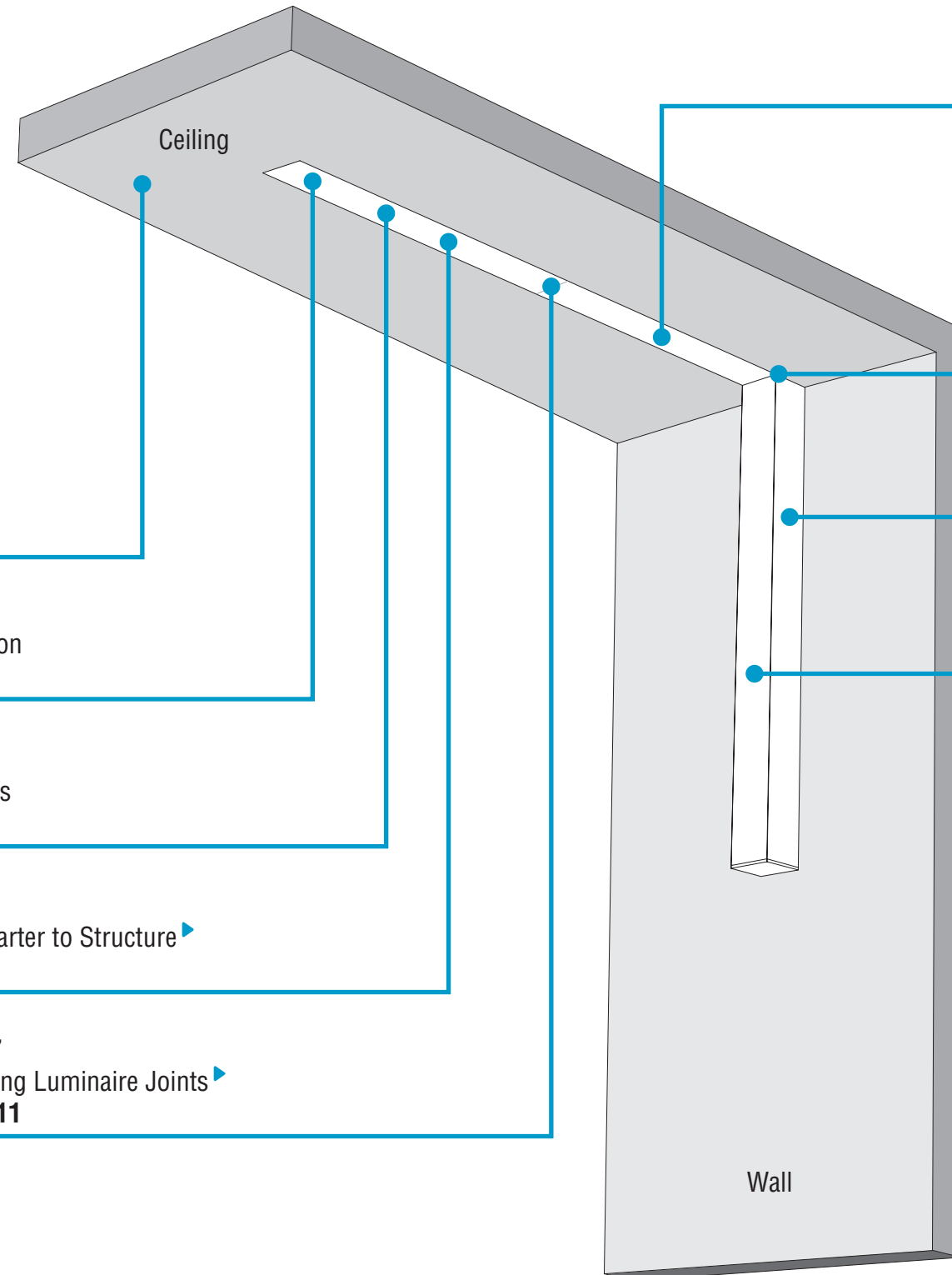
Step 7
Securing Luminaire Joints
Page 11

Step 4
Mounting Joiner to Structure
Page 7

Step 8
Securing Corner Joints
Page 12

Step 5
Mounting Ender to Structure
Page 8

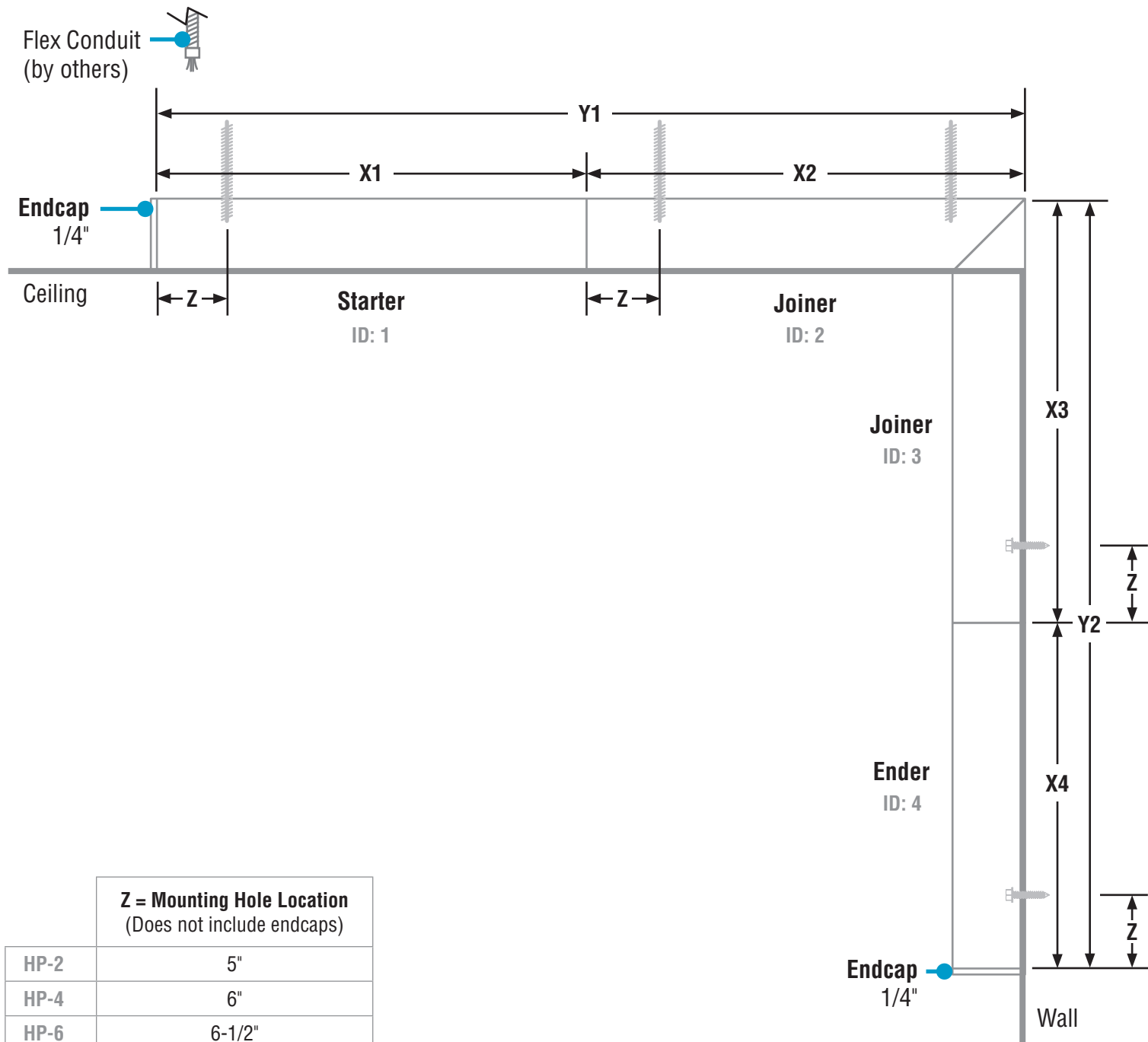
Step 9
Closing Luminaires
Pages 13-14



HP-2 / HP-4 / HP-6 Ceiling to Surface Mount Inside Corner Installation Instructions

Step 1 - Mounting Locations, Options & Rough-Ins

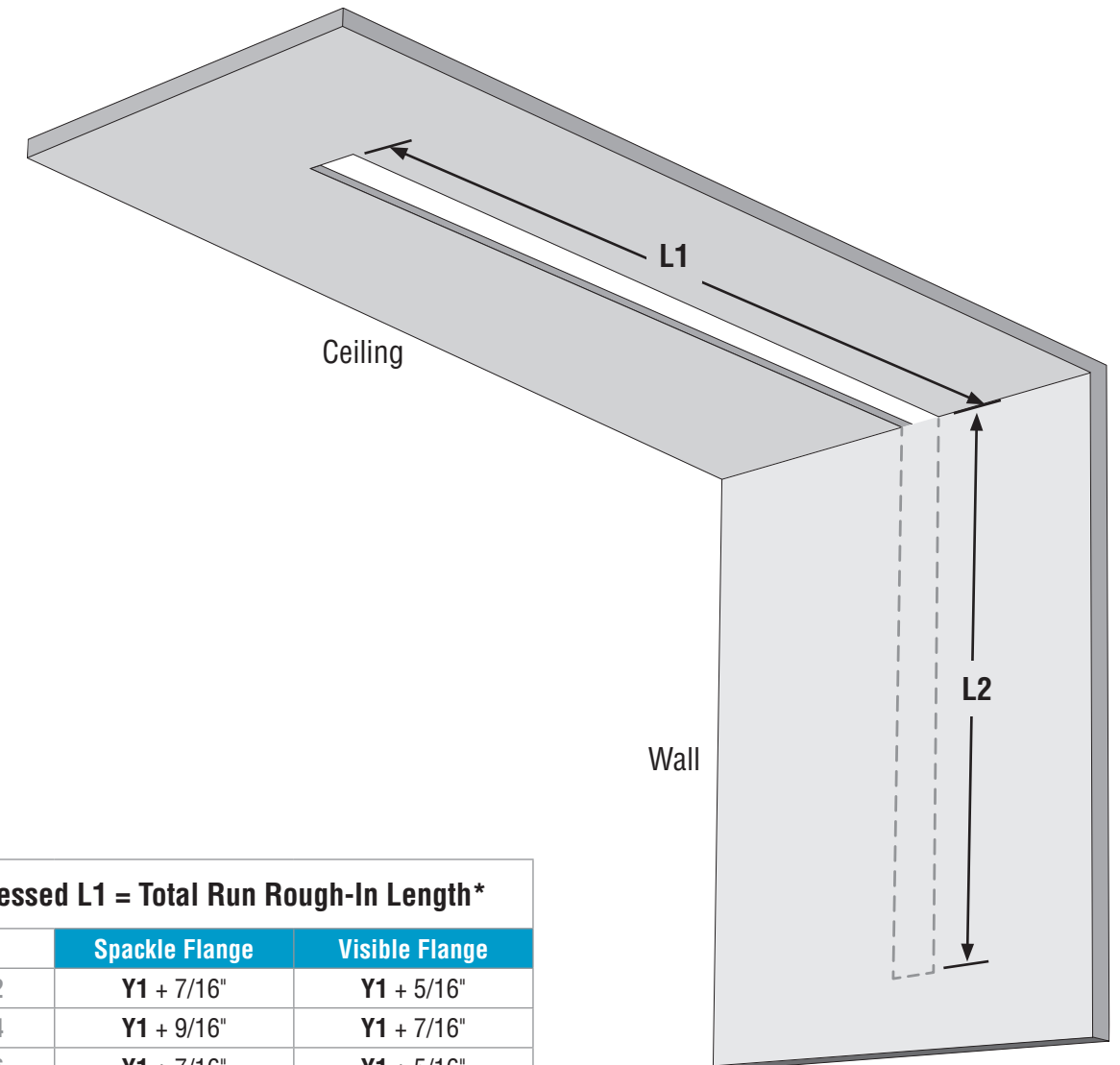
Total Run Length



X = Luminaire section length (**does not include** endcaps)
Y1 = Total run length of luminaire, depending on your build (**does not include** endcaps)
Y2 = Total run length of luminaire, depending on your build (**does not include** endcaps)
Z = Mounting hole location
Endcap = 1/4"

Refer to Record Drawings and building plans to determine exact mounting, suspension points, and power feed locations.

Ceiling Rough-In & Surface Mount Running Length



See Page 3 for Rough-In [Width](#)

Recessed L1 = Total Run Rough-In Length*		
	Spackle Flange	Visible Flange
HP-2	$Y1 + 7/16"$	$Y1 + 5/16"$
HP-4	$Y1 + 9/16"$	$Y1 + 7/16"$
HP-6	$Y1 + 7/16"$	$Y1 + 5/16"$

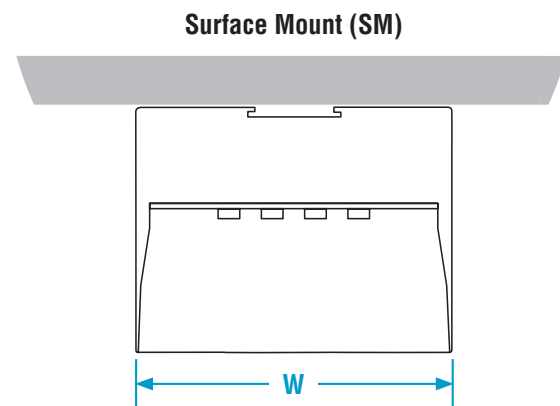
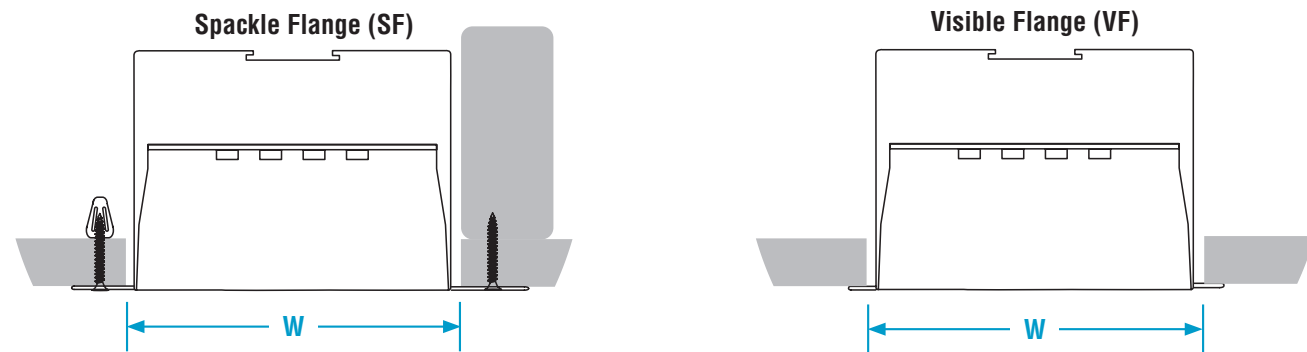
Surface Mount L2 = Total Running Length*	
	Surface Mount
HP-2	$Y2 - 4"$
HP-4	$Y2 - 4"$
HP-6	$Y2 - 4"$

NOTE: Endcaps already accounted for in above L1 & L2 dimension table formulas.
 * Tolerance: VF: +/- 1/16", SF: +/- 3/16"

HP-2 / HP-4 / HP-6 Ceiling to Surface Mount Inside Corner Installation Instructions

Step 1 - Mounting Locations, Options & Rough-Ins

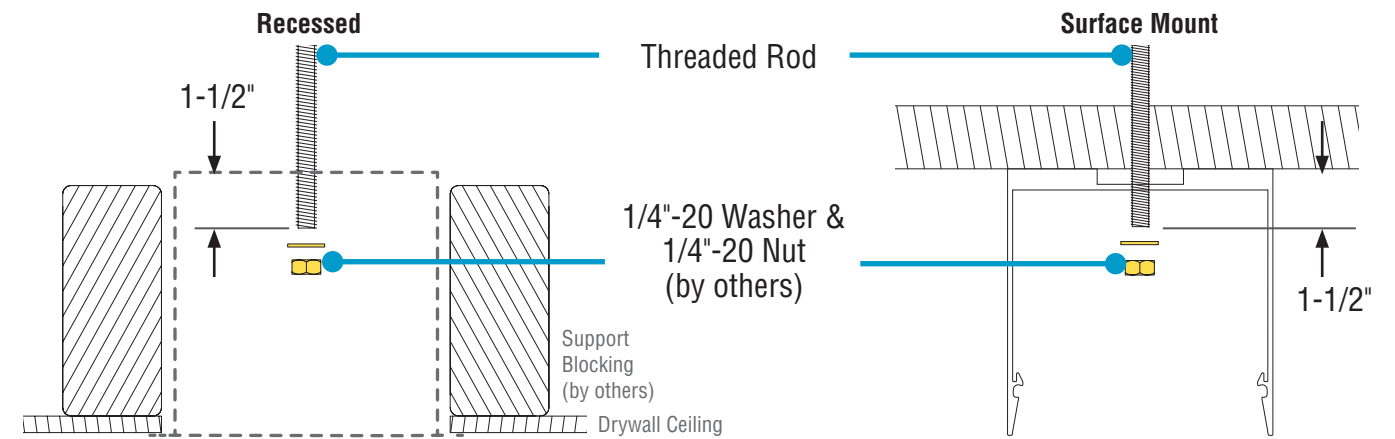
Rough-In Widths



	W = Rough-In Width*	
	Spackle Flange	Visible Flange
HP-2	3-1/8"	2-1/2"
HP-4	4-7/8"	4-1/4"
HP-6	6-1/8"	5-9/16"

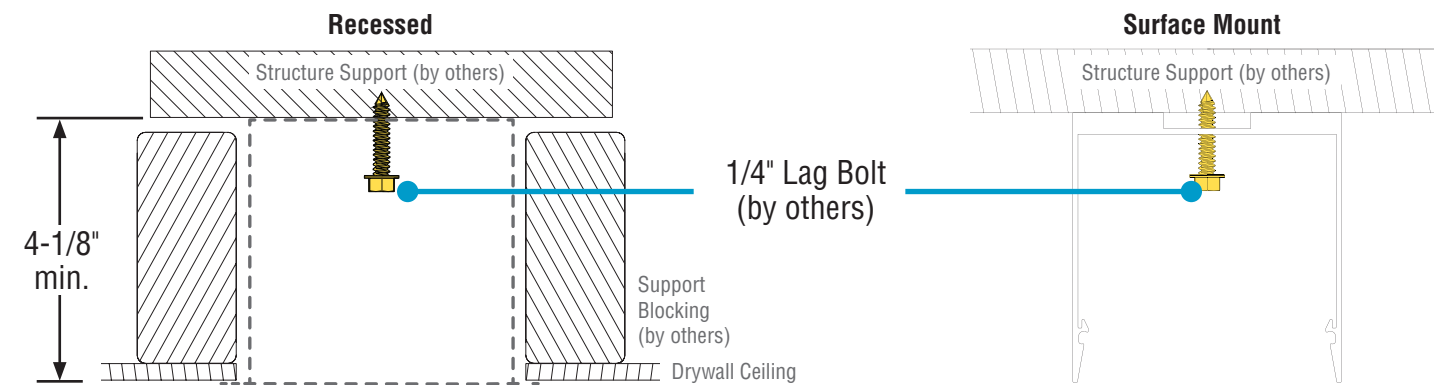
- Use rough-in dimension table above and Record Drawings to determine rough-in measurements.
- Build wall/ceiling with rough-in according to rough-in dimensions.
- **CRITICAL:** Drywall or weak paneling must be secured to blocking (studs) around rough-in opening in the wall/ceiling.

Mounting Options



Option 1 - Mount to Threaded Rod

- Install threaded rods to structure.
- Provide 1-1/2" of exposed threaded rod for mounting.
- Install electrical junction box and electrical conduit at feed locations.



Option 2 - Mount to Support Structure

- Support blocking must not exceed distance to wall/ceiling surface.
- Install electrical junction box and electrical conduit at feed locations.
- Distance from support block to surface must be a minimum of 4-1/8".

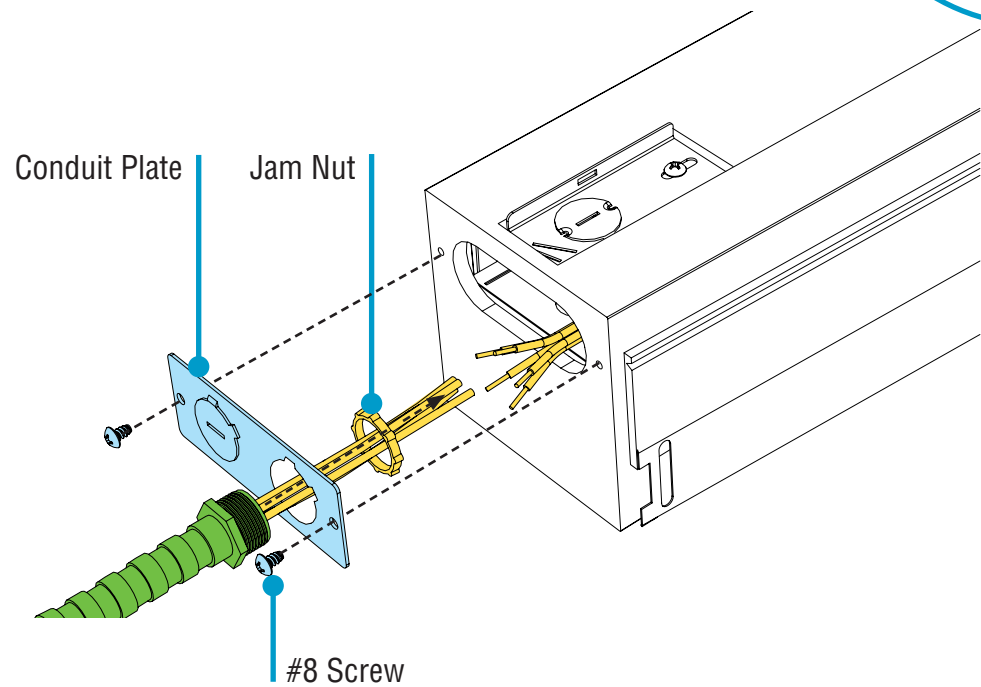
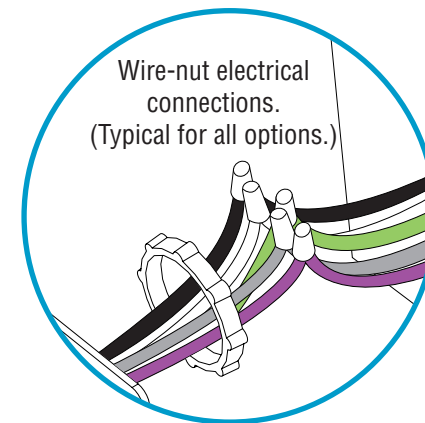
HP-2 / HP-4 / HP-6 Ceiling to Surface Mount Inside Corner Installation Instructions

Step 1 - Mounting Locations, Options & Rough-Ins

Electrical Connection Options

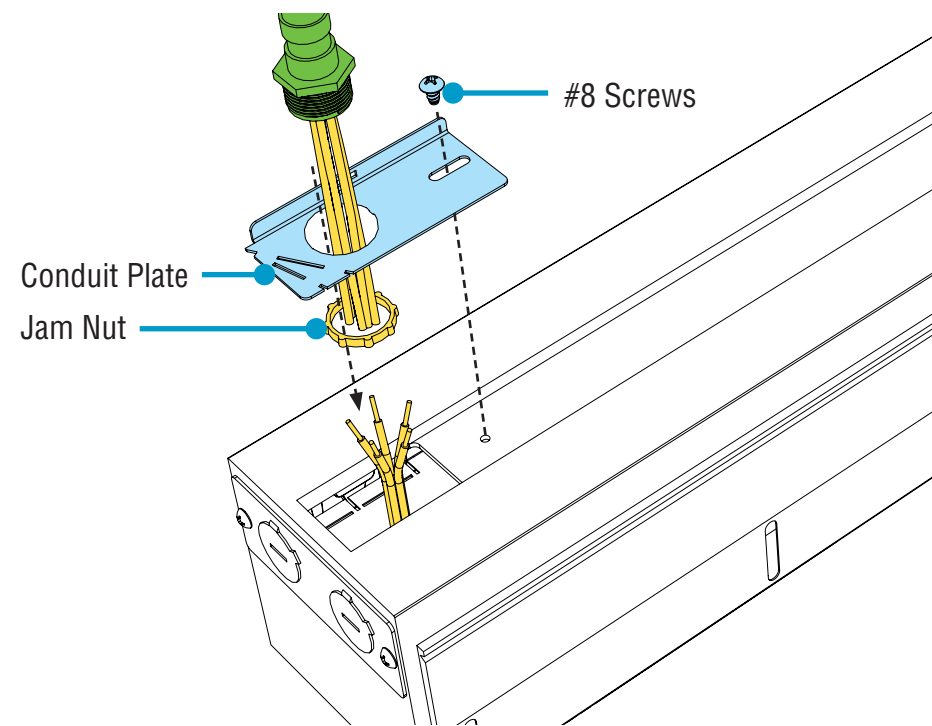
WIRING LEGEND

Black	Hot	Line Voltage
White	Neutral	Line Voltage
Green	Ground	
Grey	Dimming	0-10V DC
Purple	Dimming	0-10V DC



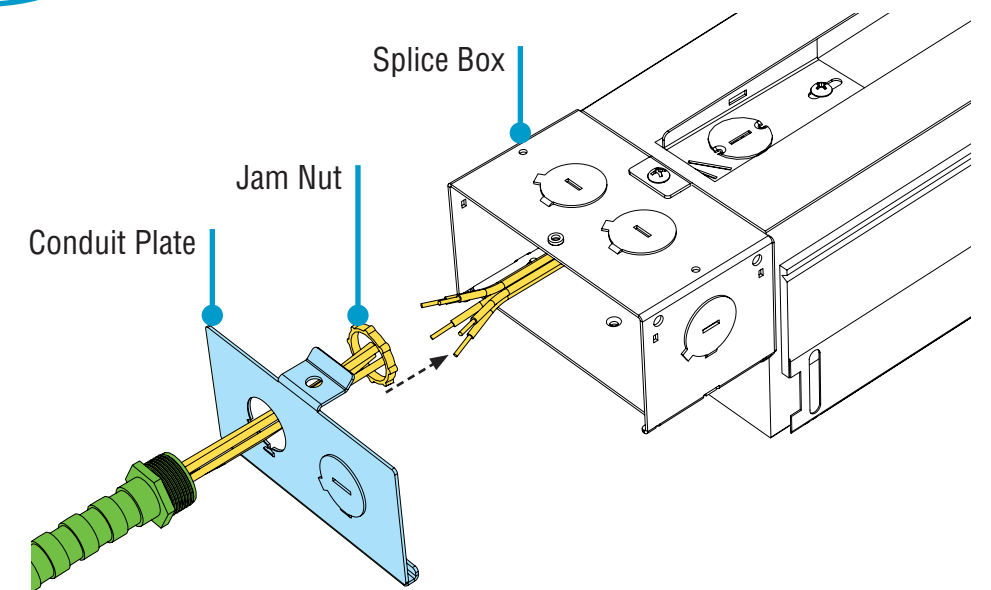
CONDUIT PLATE - ENDCAP (Standard)

- Remove two screws holding conduit plate.
- Install conduit and jam nut onto conduit plate.
- Wire-nut electrical connections. See wiring legend above.
- Reinstall conduit plate and screws. Do not damage any wires.



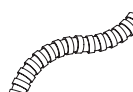
CONDUIT PLATE - TOP (Optional: HP-4 ONLY)

- Remove screw holding conduit plate.
- Install conduit and nut onto conduit plate.
- Wire-nut electrical connections. See wiring legend above.
- Reinstall conduit plate and screw. Do not damage any wires.



SPLICE BOX (Optional)

- Lift tab to unsnap and remove splice box cover.
- Install conduit and nut onto splice box cover.
- Wire-nut electrical connections. See wiring legend above.
- Reinstall splice box cover. Do not damage any wires.

 Flex Conduit
(by others)



0-10V
Dimming

HP-2 / HP-4 / HP-6 Ceiling to Surface Mount Inside Corner Installation Instructions

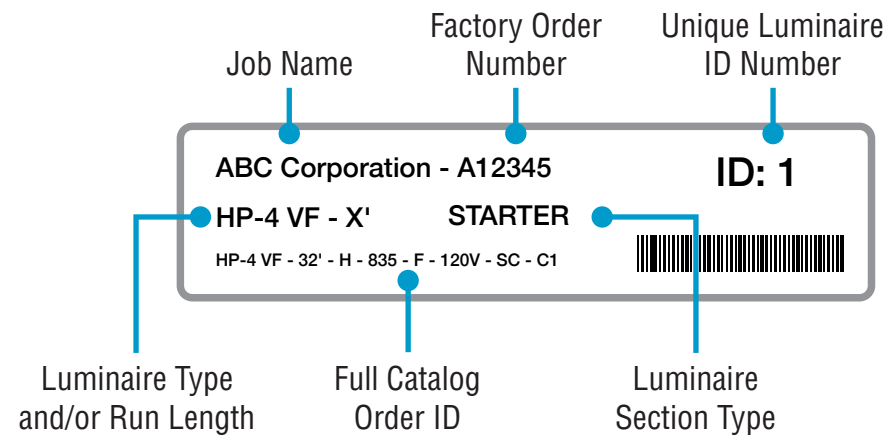
Step 2 - Identification & Preparation

A. Identify Luminaires



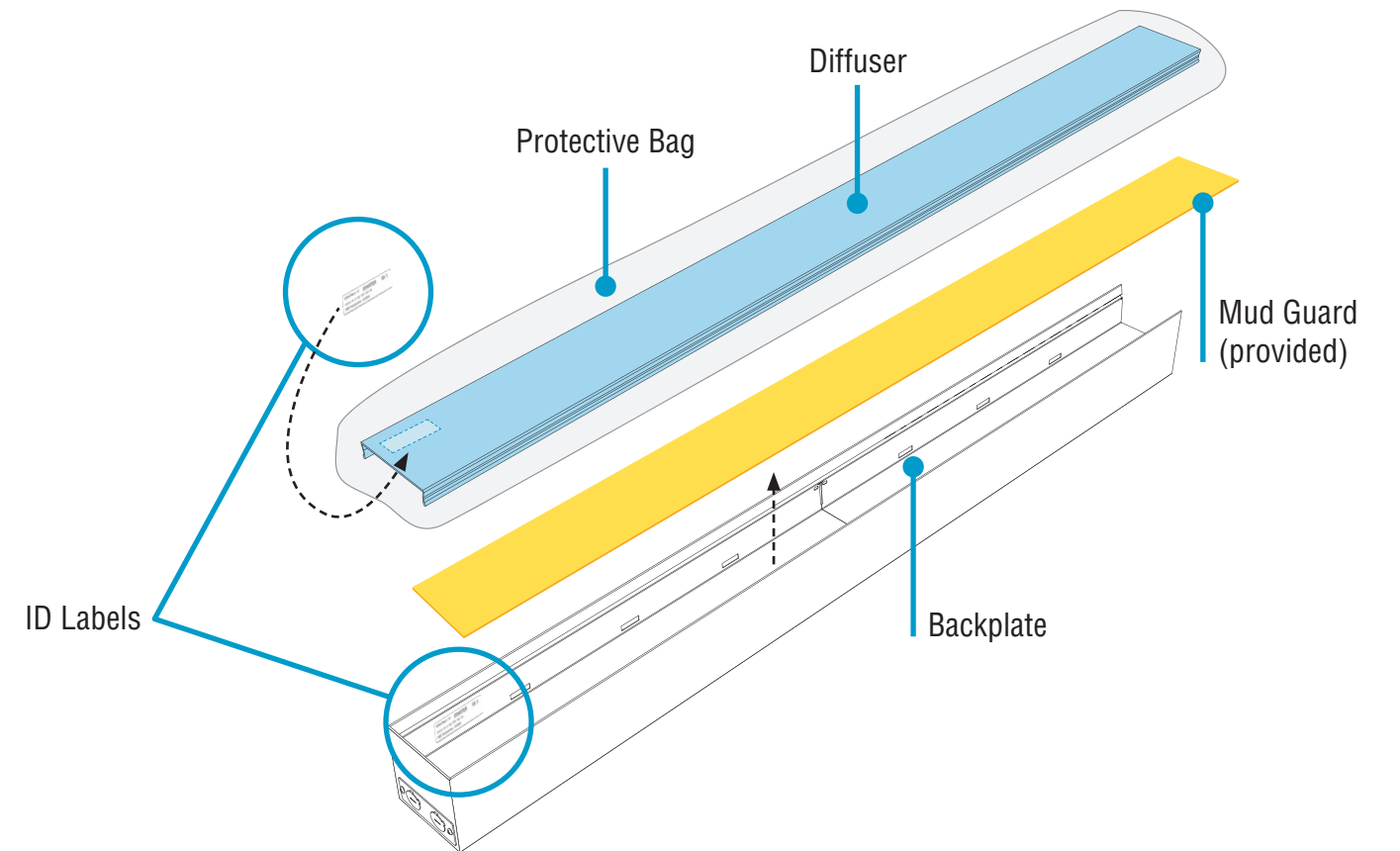
CAUTION

Arrange luminaires in order according to ID# at their install locations.



- Identify all luminaires by their ID label that can be found on the box, the diffuser and inside the luminaire.
- **NOTE:** Exact location of labels in these areas may vary.
- Remove all luminaires from their box.
- Refer to Record Drawings that can be found in the hardware kit.

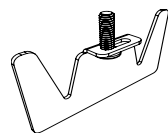
B. Remove Diffusers



- Carefully remove all diffusers, keeping them inside their protective bags.
- Set aside all diffusers to prevent from getting dirty or damaged.
- Ensure diffusers can be clearly identified back to its corresponding luminaire.
- **CAUTION (Spackle Flange Only):** Carefully remove "Mud Guards" and keep them as they will be reinstalled in Step 9, B.

Kitted Hardware

- Finelite has provided items listed here, with their Finelite part numbers. These items can be found in separate boxes shipped with the luminaire.
- Account for all parts and set aside until they are needed.
- All other hardware needed for this installation will be by others.



Yoke Bracket
Part# 45042

#10-32 x 5/8"

Yoke Screw

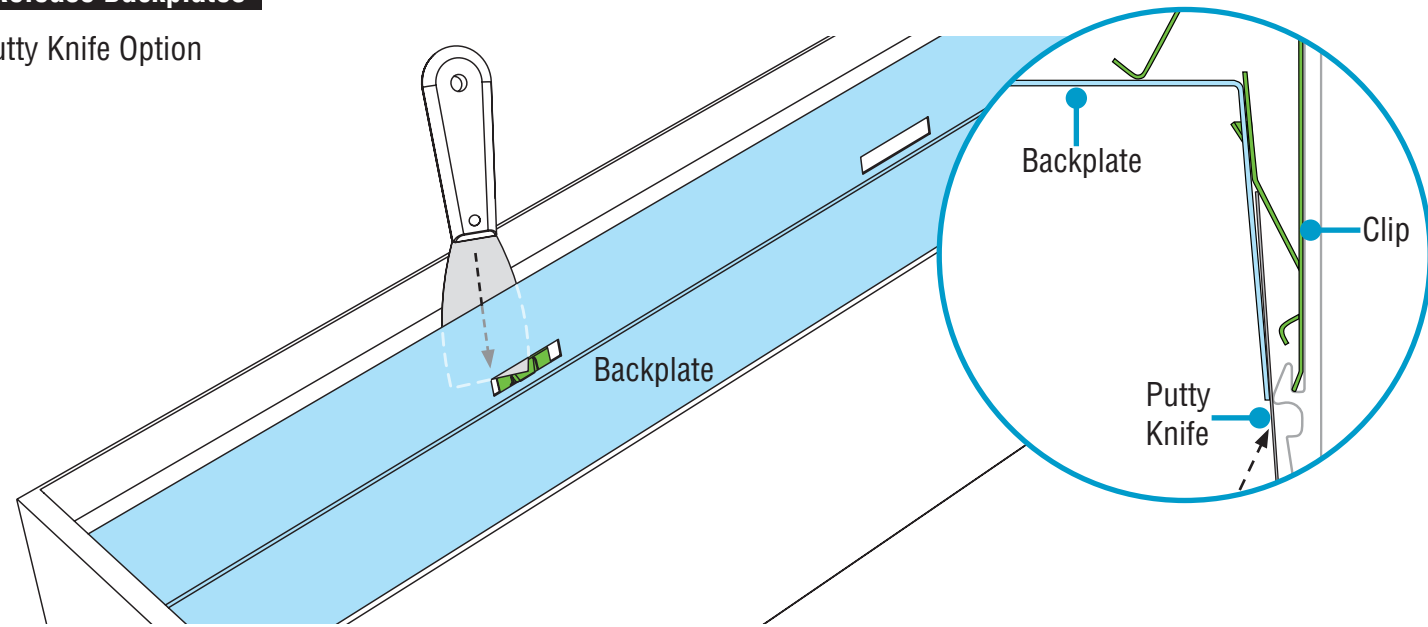
Part# 94144
Securing Corner Joints
p. 7, Step 6
Securing Luminaire Joints
p. 10, Step 8

HP-2 / HP-4 / HP-6 Ceiling to Surface Mount Inside Corner Installation Instructions

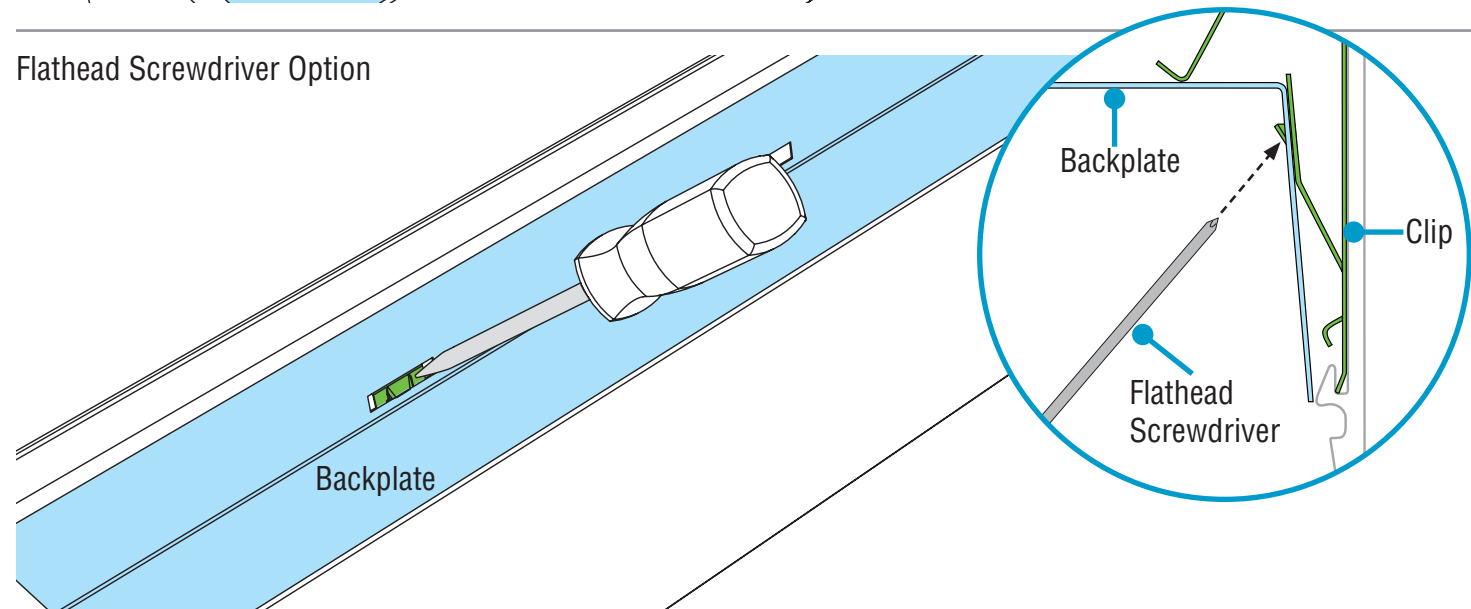
Step 3 - Opening Luminaires

Release Backplates

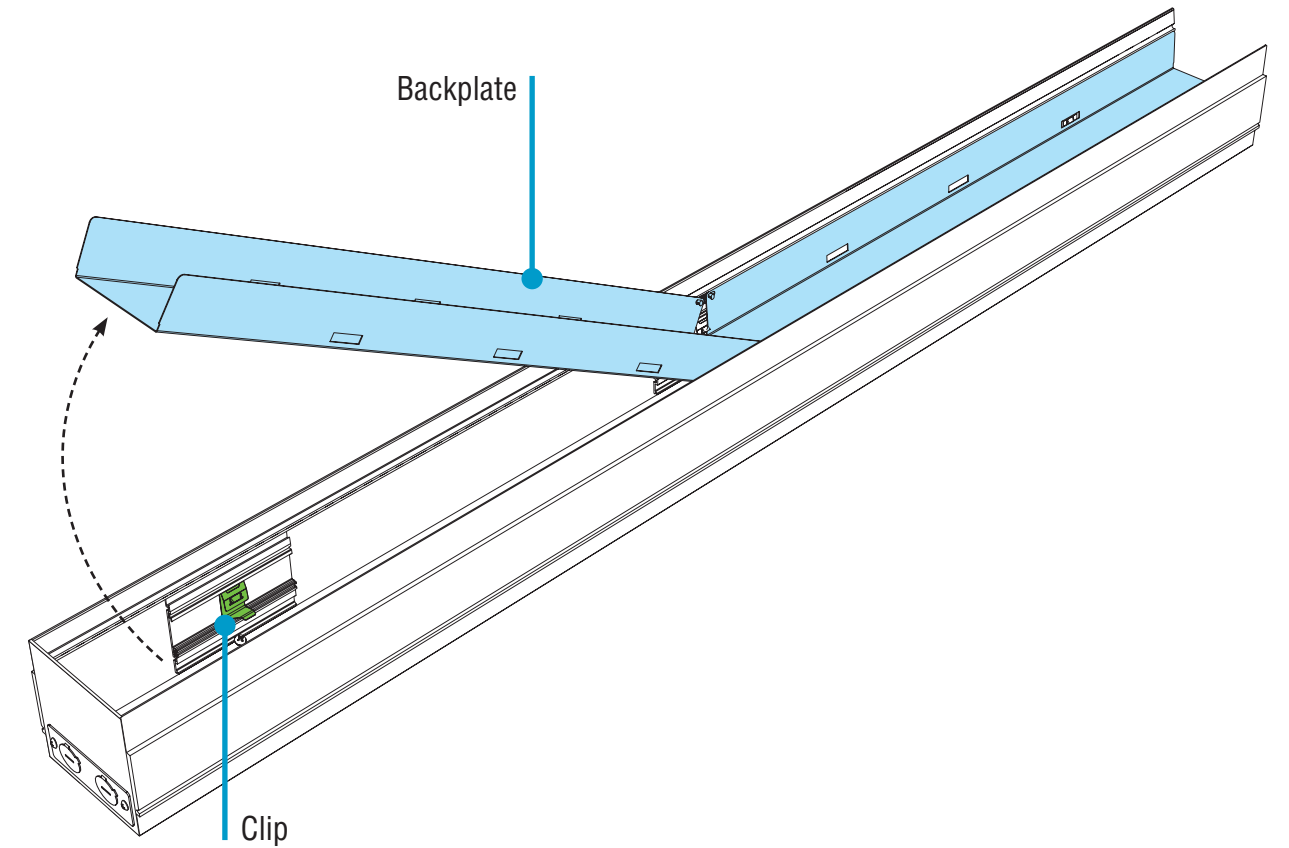
Putty Knife Option



Flathead Screwdriver Option



- Release the backplates from clips by sliding the blade of a putty knife behind backplate edges.
- To use a flathead screwdriver: From inside backplate, press end of screwdriver against the clip until the backplate is released.



- Carefully rotate all backplates out and let them hang from luminaire bodies.

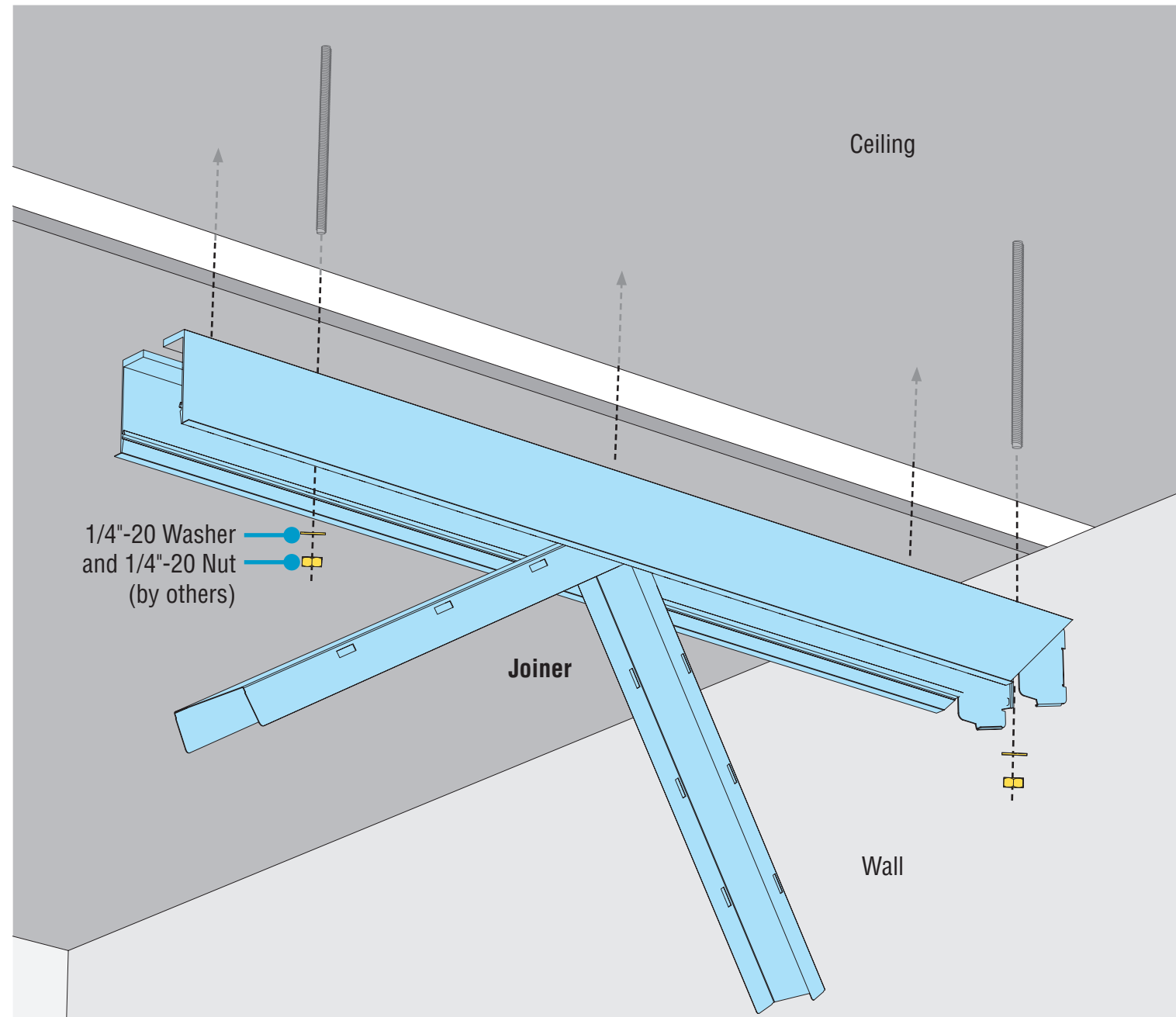


Effortless
Access

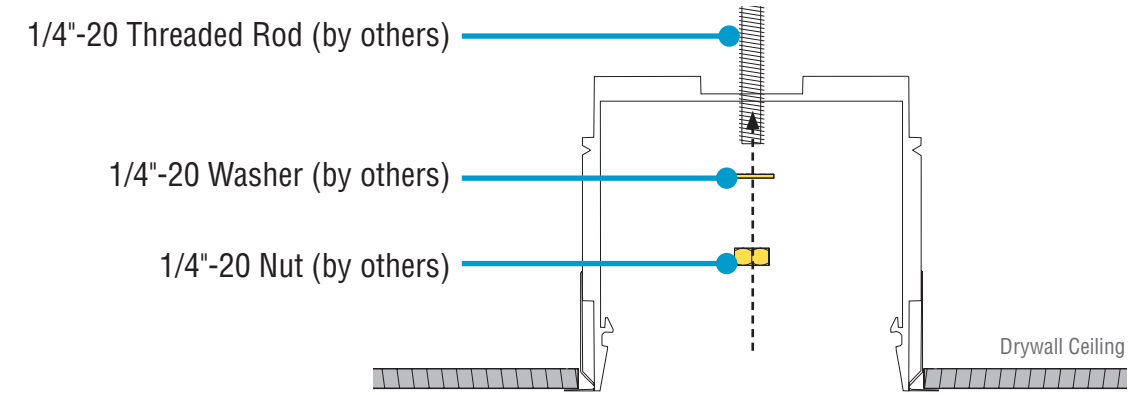
HP-2 / HP-4 / HP-6 Ceiling to Surface Mount Inside Corner Installation Instructions

Step 4 - Mounting Joiner to Structure

Mount Joiner to Ceiling

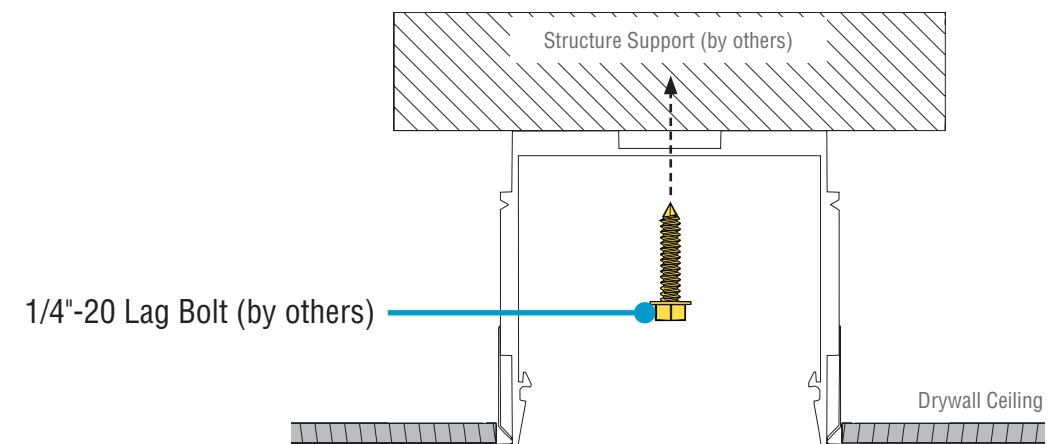


Option 1 (Shown) - Mount to Threaded Rod

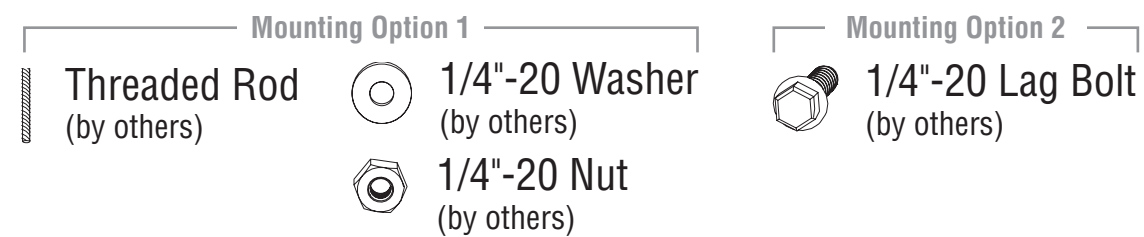


- Align threaded rods with mounting holes and slide luminaire into ceiling.
- Install 1/4"-20 nut and 1/4"-20 washer onto 1/4"-20 threaded rod.
- **CRITICAL:** If installing a joiner/ender luminaire in the next step, leave the nut loose.
- **NOTE:** Support blocking is needed for Spackle Flange luminaires.

Option 2 - Mount to Structure Support



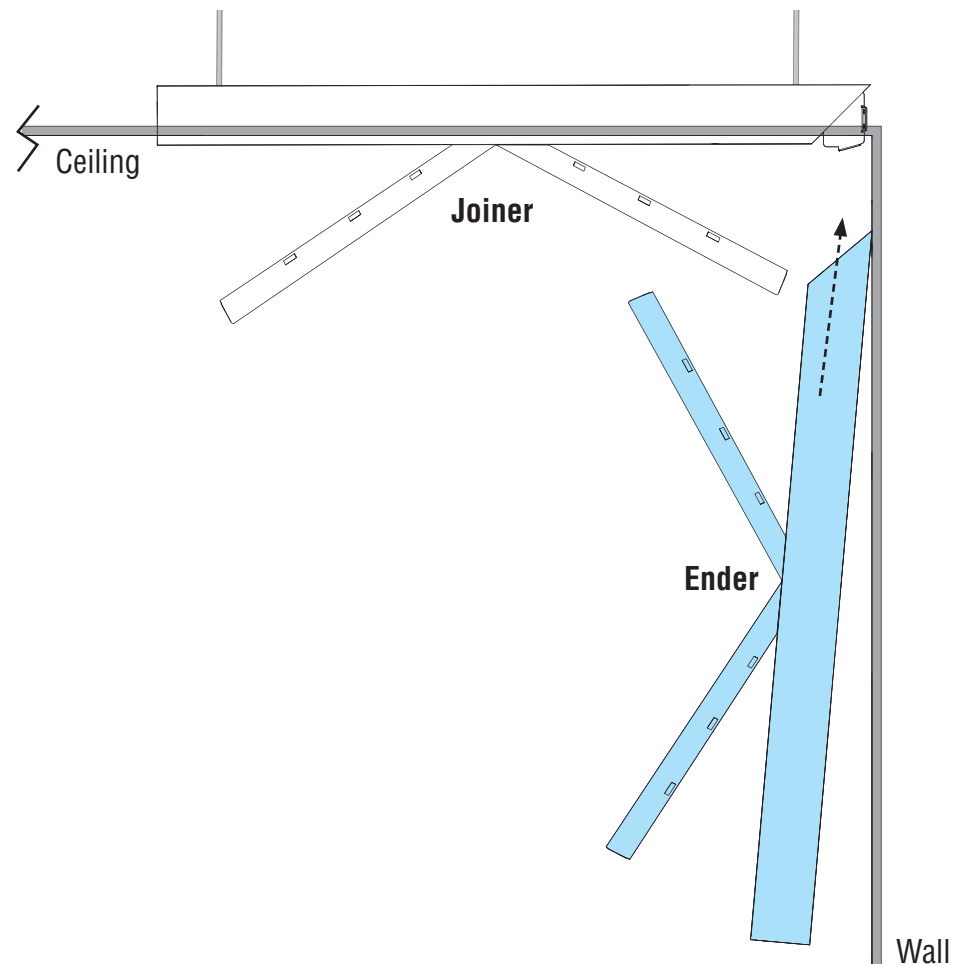
- Slide luminaire into ceiling and mount to structure support with hardware appropriate for the structure type.
- **CRITICAL:** If installing a joiner/ender luminaire in the next step, leave the nut loose.
- **NOTE:** Support blocking is needed for Spackle Flange luminaires.



HP-2 / HP-4 / HP-6 Ceiling to Surface Mount Inside Corner Installation Instructions

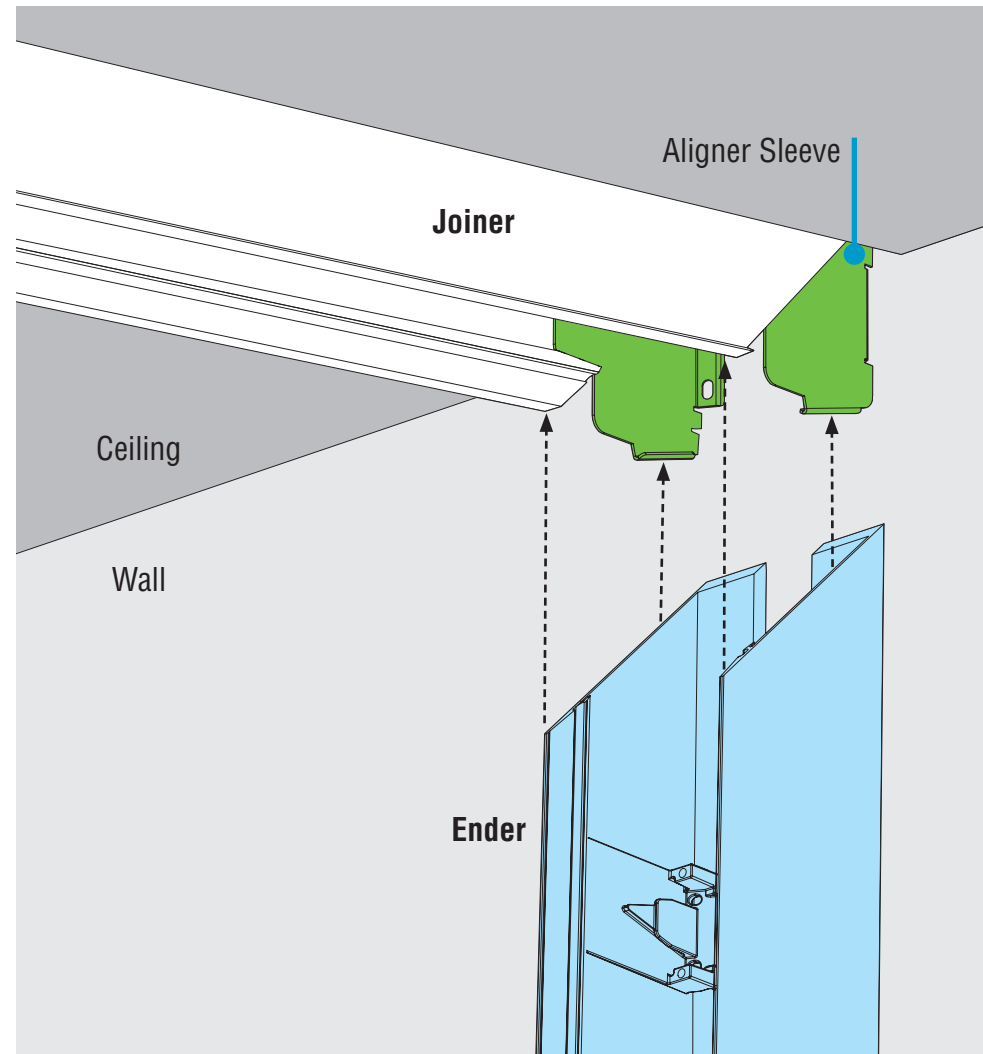
Step 5 - Mounting Ender to Structure

A. Mount Ender to Wall



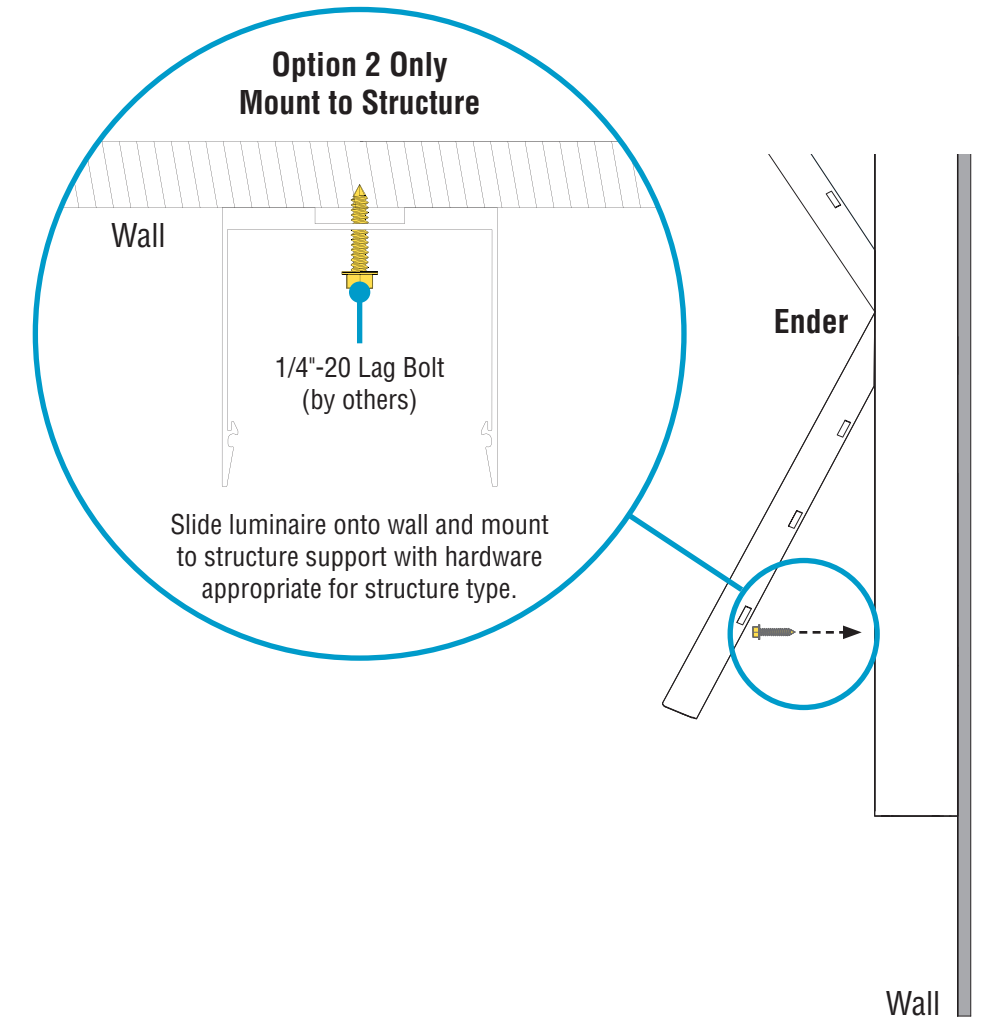
- While properly supporting luminaire, maneuver ender luminaire to wall.

B. Join Luminaires

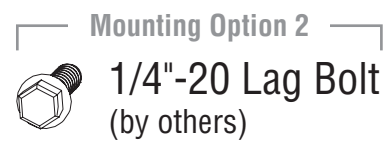


- Align ender with aligner sleeves on joiner and slide together. Be careful not to damage any wiring.

C. Secure Ender to Wall



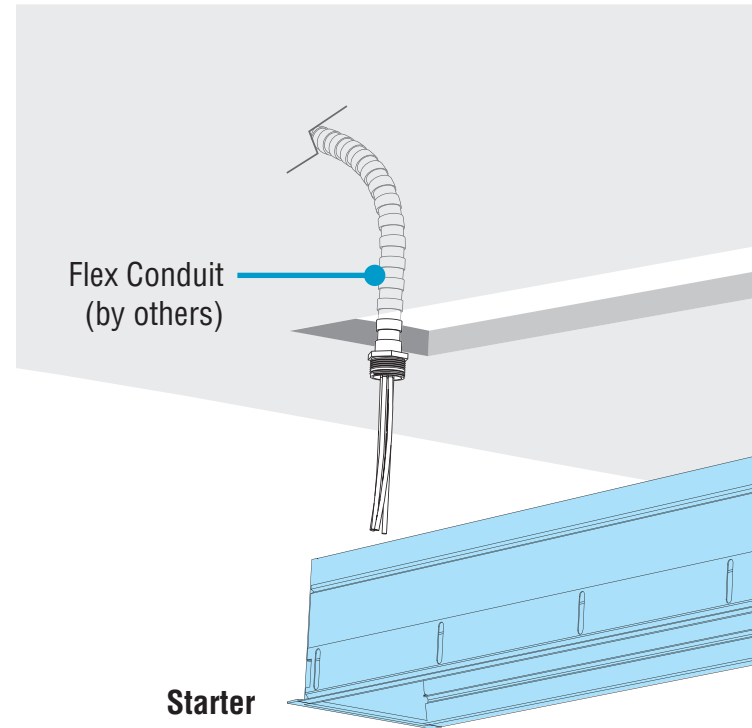
- Secure ender luminaire to wall with a 1/4"-20 lag bolt or hardware appropriate for structure type.
- After installing the ender, return to previous luminaire and tighten.



HP-2 / HP-4 / HP-6 Ceiling to Surface Mount Inside Corner Installation Instructions

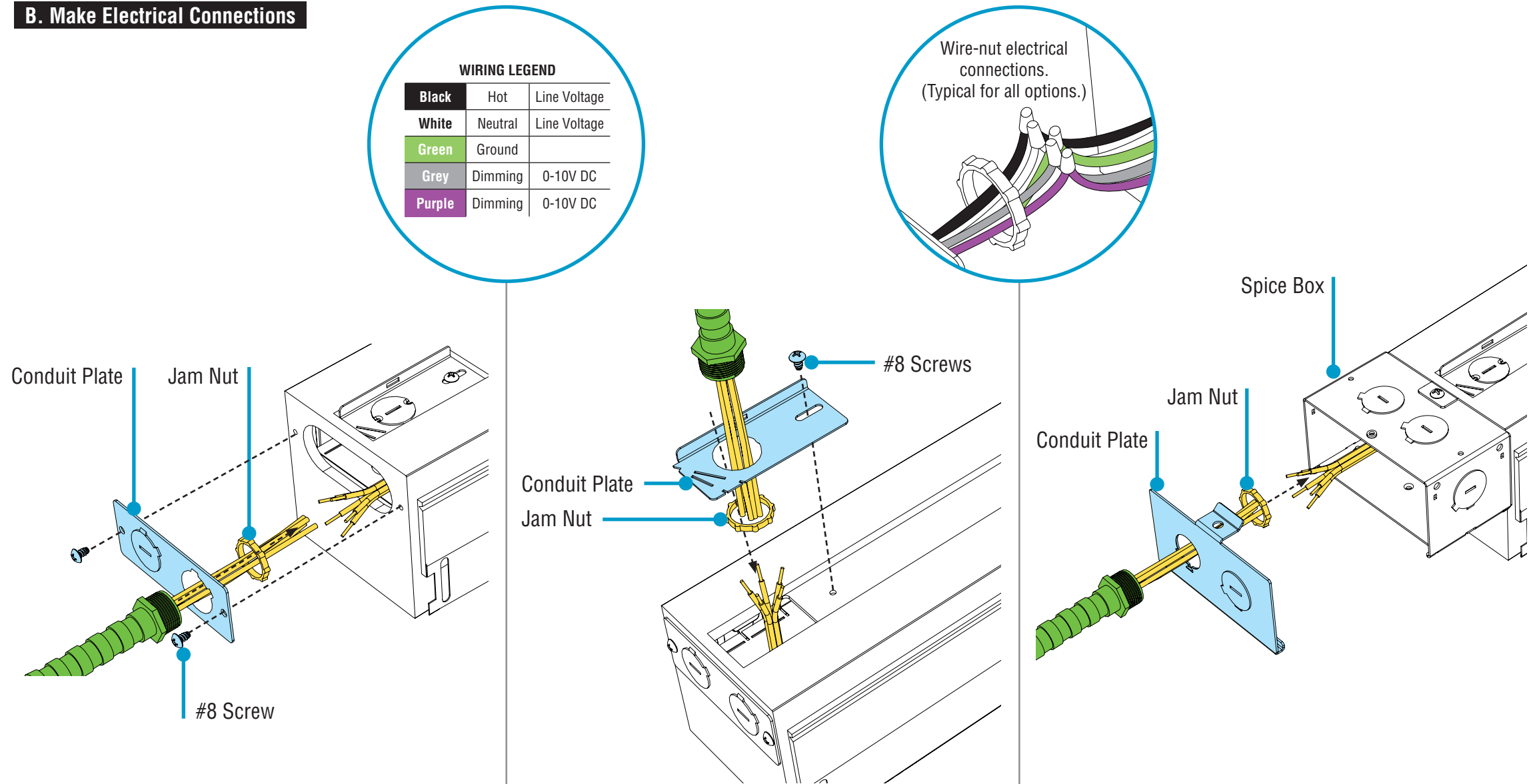
Step 6 - Mounting Starter to Structure

A. Make Electrical Connections



- **FOR SENSOR OR SOCKET:** If luminaire contains a sensor or socket at endcap, refer to page 2 of appropriate Addendum before Mounting Starter to Structure.
- While properly supporting luminaire, maneuver starter luminaire near ceiling opening.
- Make electrical connections at **ENDCAP**, at **TOP** or with a **SPLICE BOX**.

B. Make Electrical Connections



CONDUIT PLATE - ENDCAP (Standard)

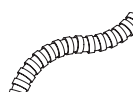
- Remove two screws holding conduit plate.
- Install conduit and jam nut onto conduit plate.
- Wire-nut electrical connections. See wiring legend above.
- Reinstall conduit plate and screws. Do not damage any wires.

CONDUIT PLATE - TOP (Optional: HP-4 ONLY)

- Remove screw holding conduit plate.
- Install conduit and nut onto conduit plate.
- Wire-nut electrical connections. See wiring legend above.
- Reinstall conduit plate and screw. Do not damage any wires.

SPLICE BOX (Optional)

- Lift tab to unsnap and remove splice box cover.
- Install conduit and nut onto splice box cover.
- Wire-nut electrical connections. See wiring legend above.
- Reinstall splice box cover. Do not damage any wires.

 Flex Conduit
(by others)



Socket Removal
& Installation



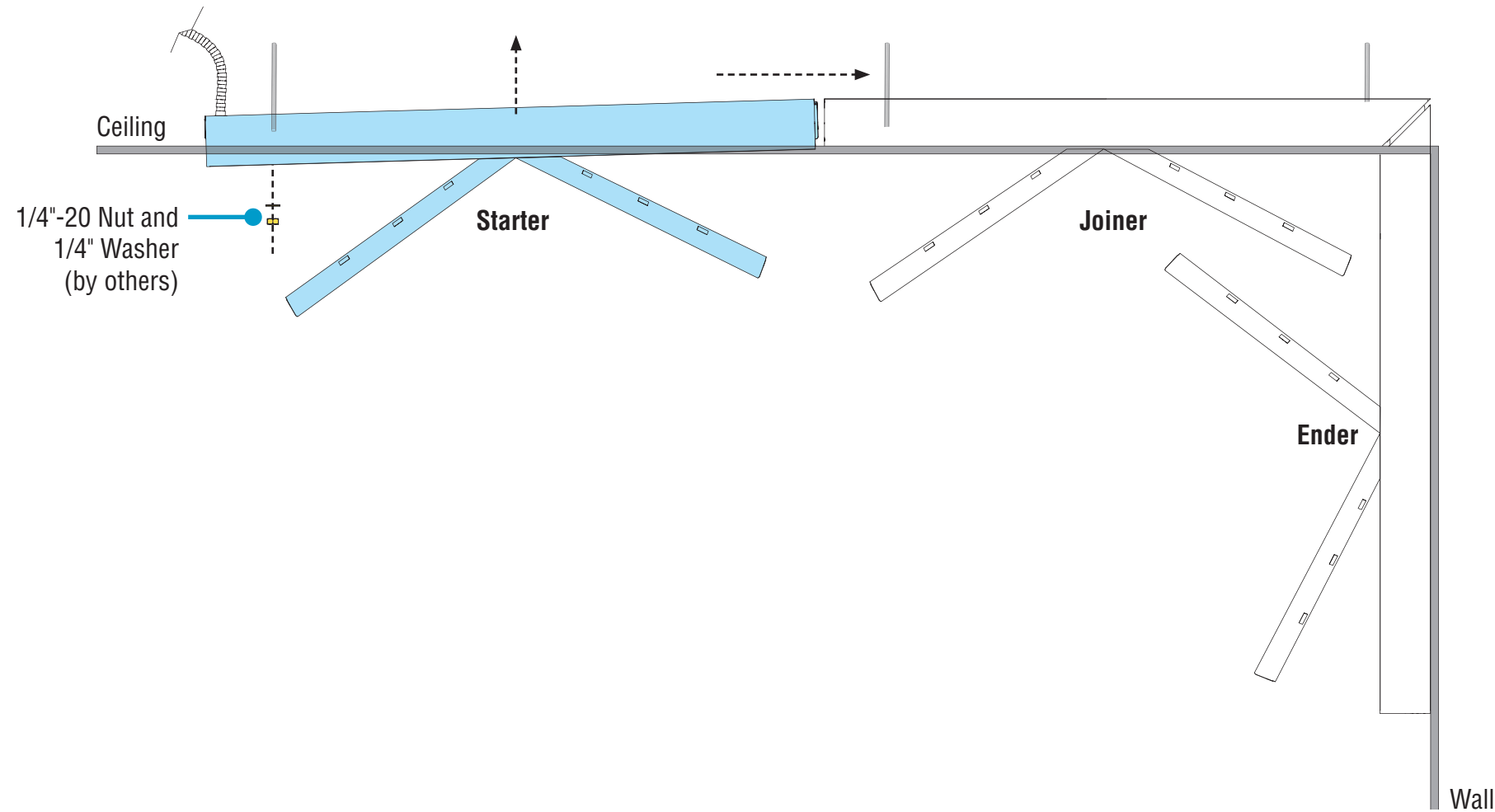
0-10V
Dimming

CONTINUED

HP-2 / HP-4 / HP-6 Ceiling to Surface Mount Inside Corner Installation Instructions

Step 6 - Mounting Starter to Structure

C. Mount Starter to Structure



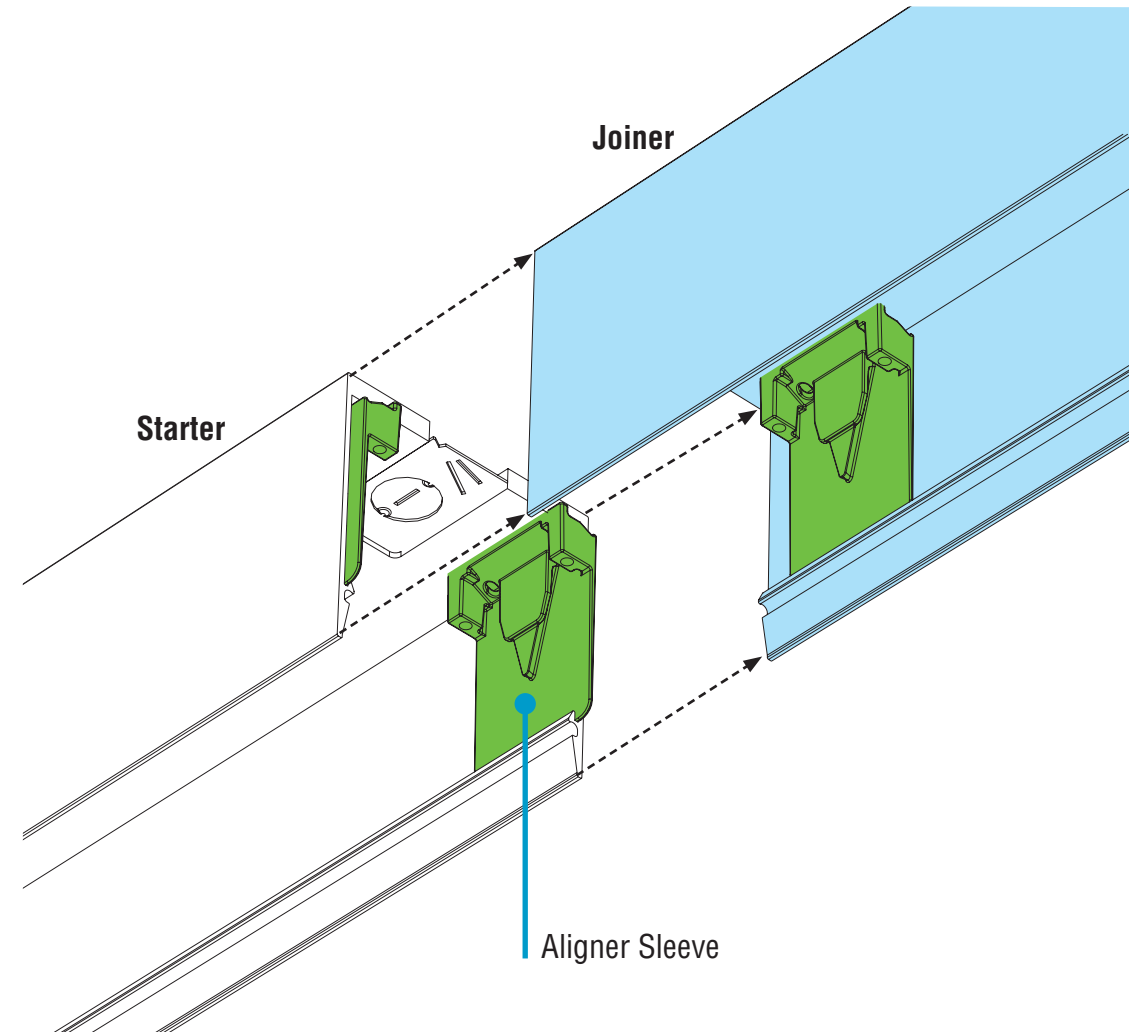
Option 1 (Shown) - Mount to Threaded Rod

- Align threaded rods with mounting holes and slide luminaire into ceiling.
- Install 1/4"-20 nut and 1/4" washer onto 1/4"-20 threaded rod.
- **CRITICAL:** If installing a joiner/ender luminaire in the next step, leave the nut loose, allowing the luminaire to hang out of ceiling at an angle.
- If there is no joiner/ender, then tighten nuts fully.

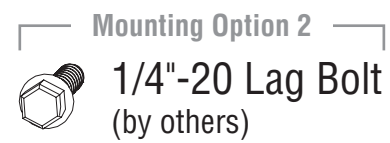
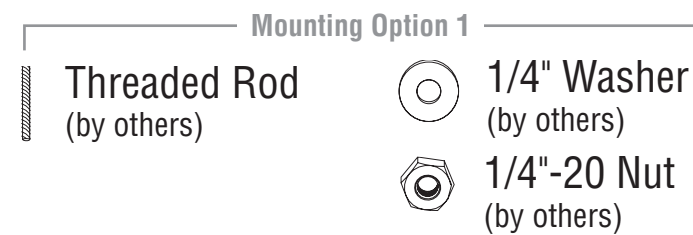
Option 2 - Mount to Structure

- Slide luminaire into wall/ceiling and mount to structure support with hardware appropriate for the structure type.
- **CRITICAL:** If installing a joiner/ender luminaire in the next step, leave the bolt/screw loose, allowing luminaire to hang out of ceiling at an angle.
- If there is no joiner/ender, then tighten nuts fully.

D. Join Luminaires



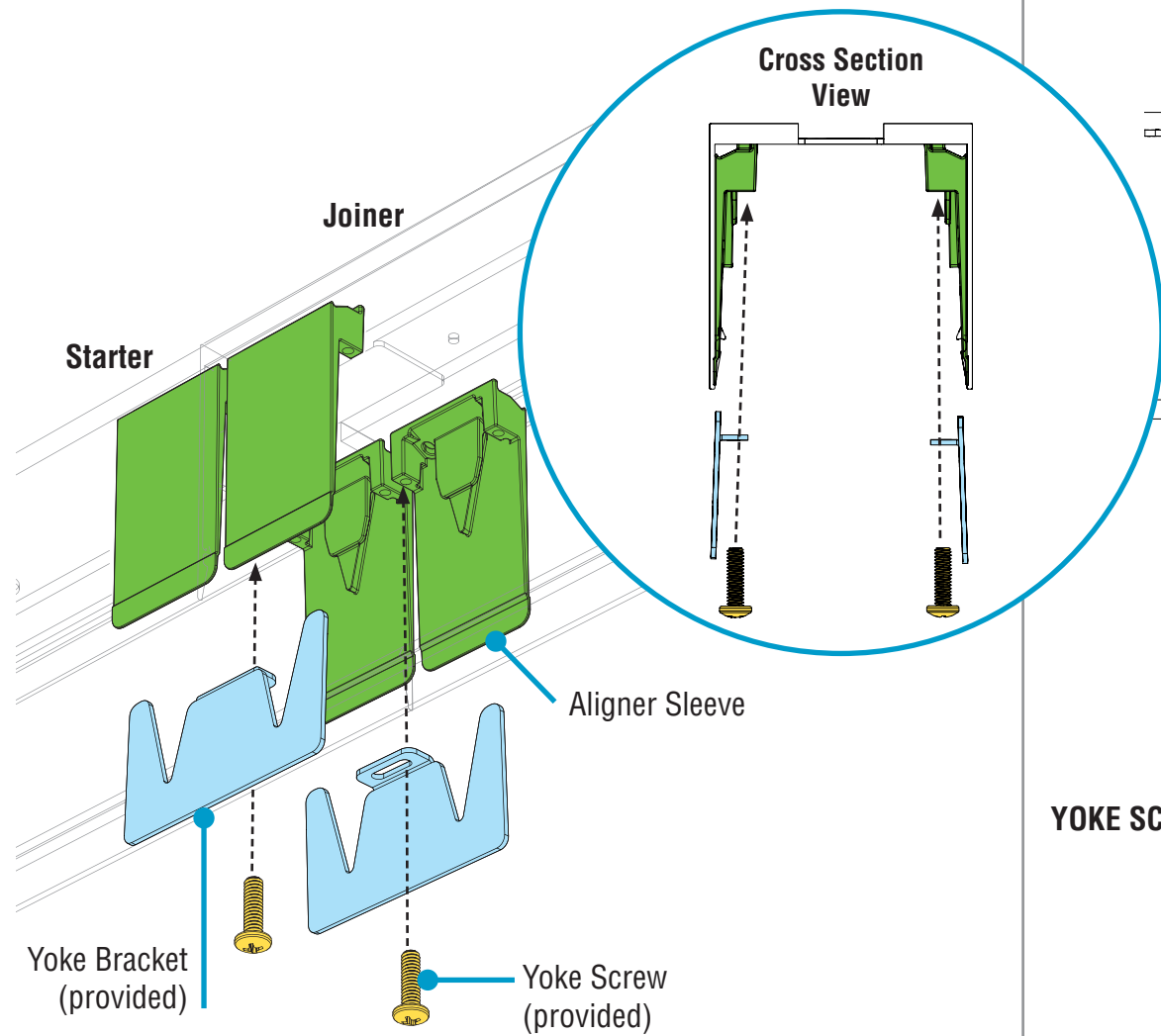
- Align starter aligner sleeves with joiner and slide together. Be careful not to damage any wiring.
- If necessary, **lift** both luminaires, then slide together.



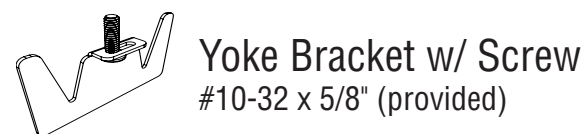
HP-2 / HP-4 / HP-6 Ceiling to Surface Mount Inside Corner Installation Instructions

Step 7 - Securing Luminaire Joints

A. Secure Joint with Yoke Brackets

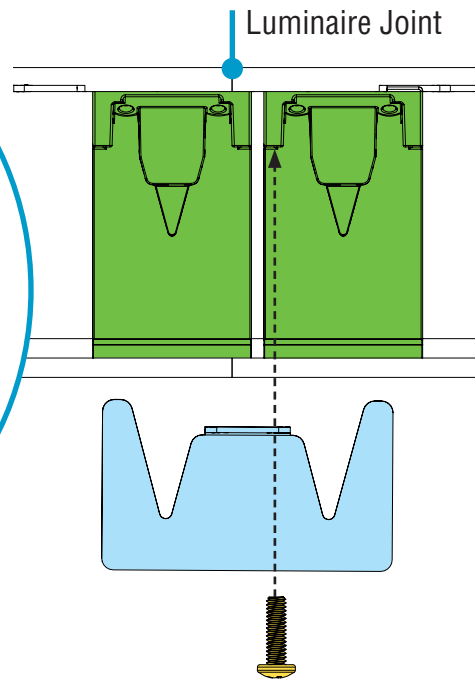


- **FOR SENSOR OR SOCKET:** If luminaire contains a sensor or socket at joint, refer to page 4 of appropriate Addendum before Securing Luminaire Joints.
- Before installing yoke brackets, ensure the joining ends of luminaires meet flush and square.
- **CRITICAL:** Ensure yoke brackets properly engage with aligner sleeves.
- Secure joints by using a screwdriver¹ to tighten yoke screws through yoke brackets and into the aligner sleeves until joint seam of luminaire is closed.

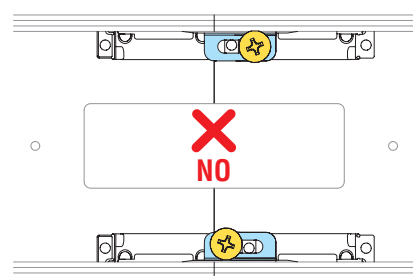


¹ Screwdriver with 6" bit required.

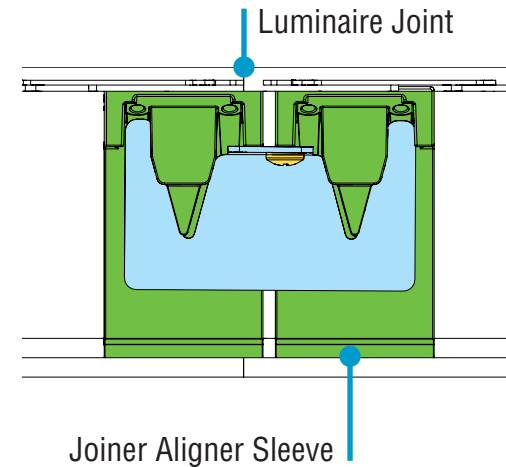
IN ALIGNMENT



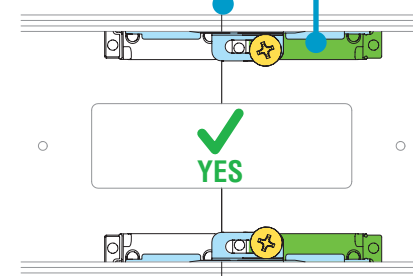
YOKE SCREW ALIGNMENT Bottom-Up View



CORRECTLY INSTALLED

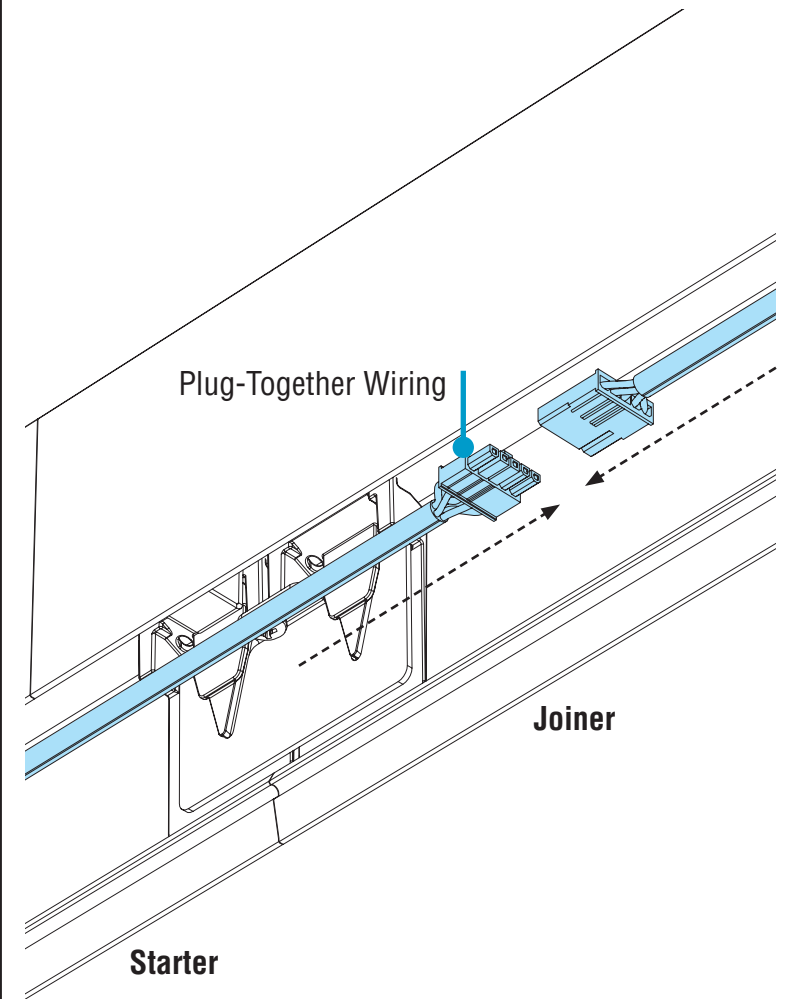


Luminaire Joint Joiner Aligner Sleeve



NOTE: Yoke screws should be installed directly across from each other, not diagonally, and in holes furthest from the joint line. One yoke screw per one yoke bracket.

B. Make Electrical Connections



- Connect plug-together wiring.



Socket Removal & Installation



Universal & Robust Joints

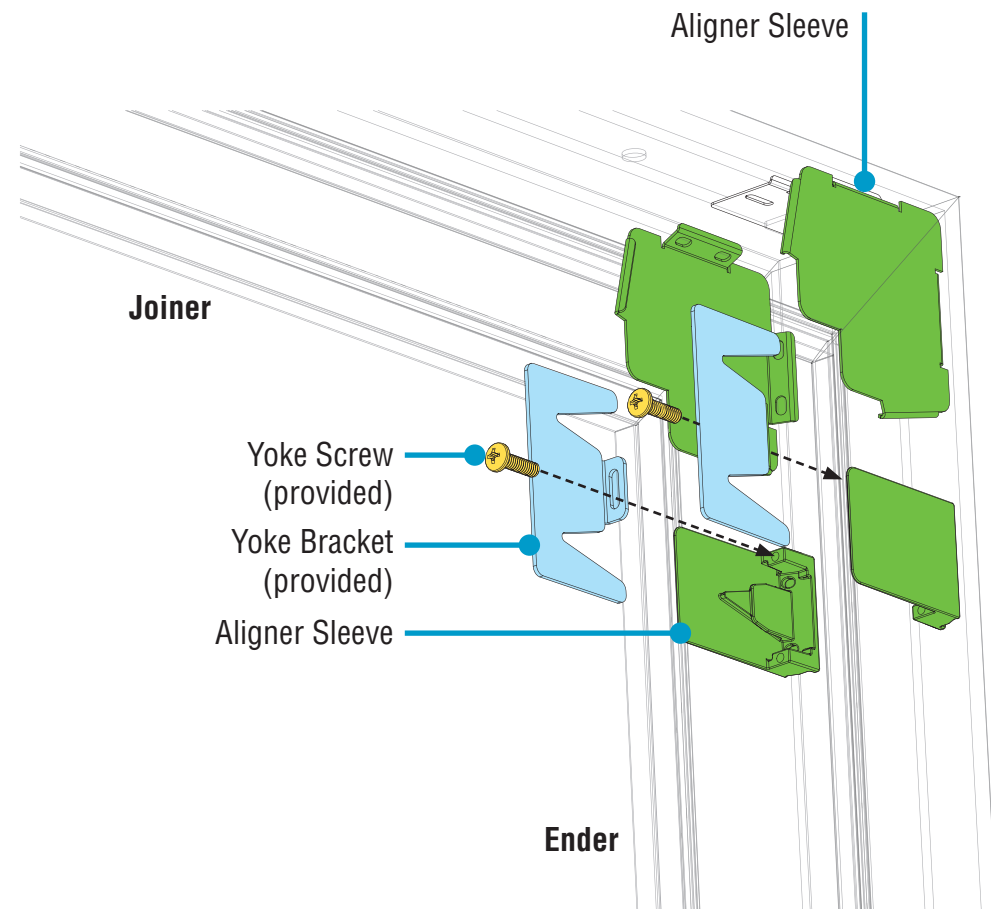


Simple Plug-Together Wiring

HP-2 / HP-4 / HP-6 Ceiling to Surface Mount Inside Corner Installation Instructions

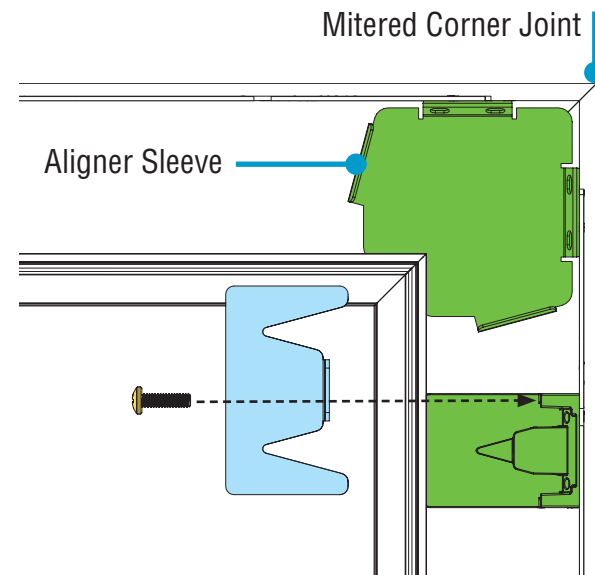
Step 8 - Securing Corner Joints

A. Secure Joint with Yoke Brackets

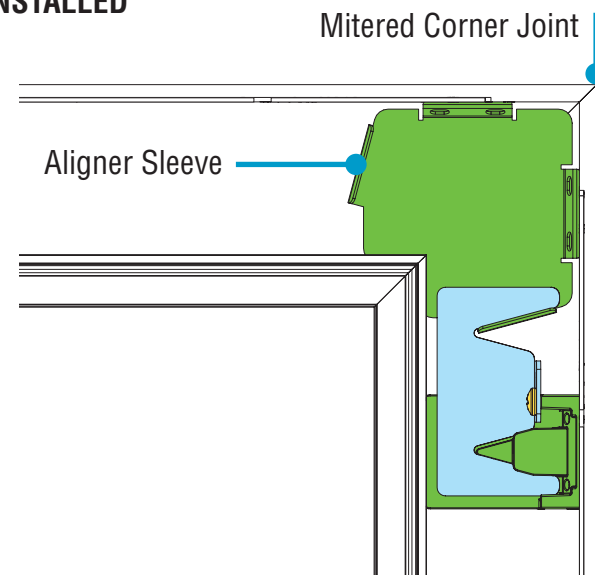


- Before installing yoke brackets, ensure the joining corners of luminaires meet flush and square.
- **CRITICAL:** Ensure yoke brackets properly engage with aligner sleeves.
- Secure corner joint by using a screwdriver¹ to tighten yoke screws through yoke brackets and into the aligner sleeves until joint seam of joiner and ender luminaires is closed.

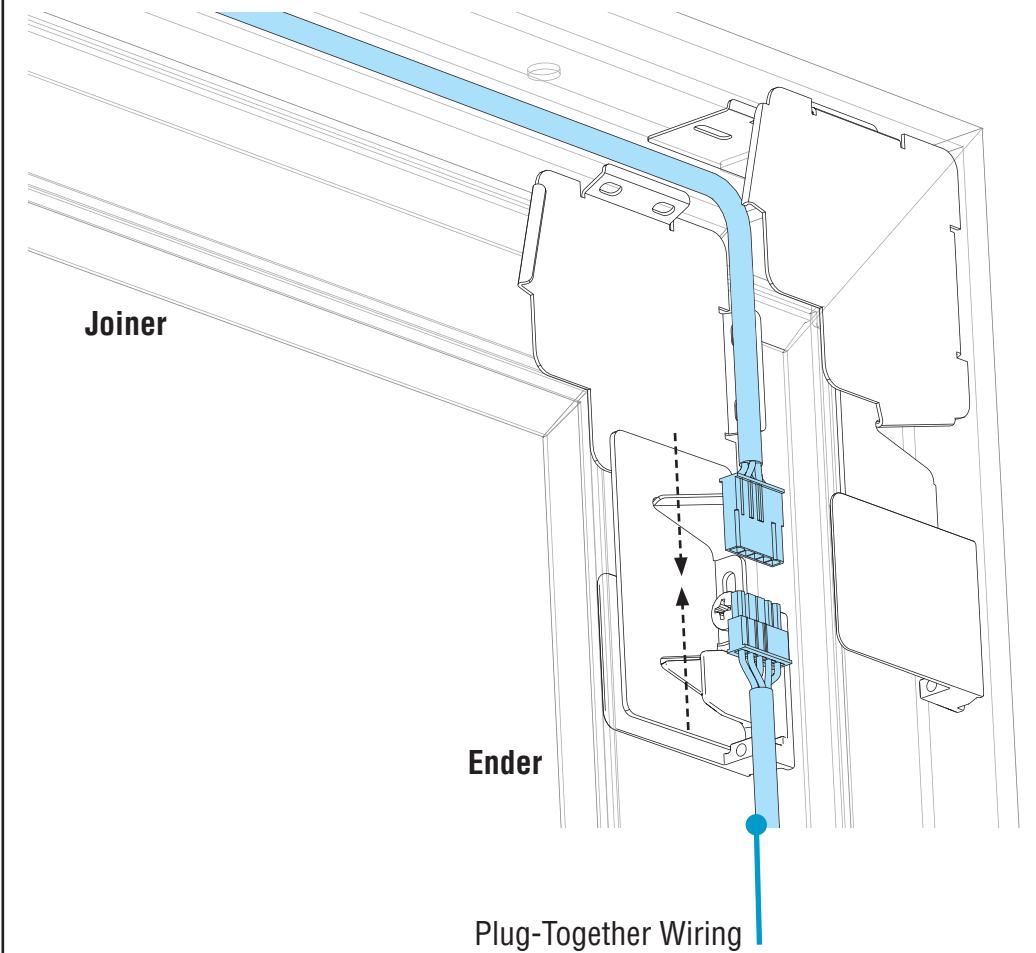
IN ALIGNMENT



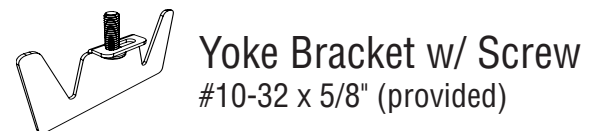
CORRECTLY INSTALLED



B. Make Electrical Connections



- Connect plug-together wiring at corner joint.



¹ Screwdriver with 6" bit required.

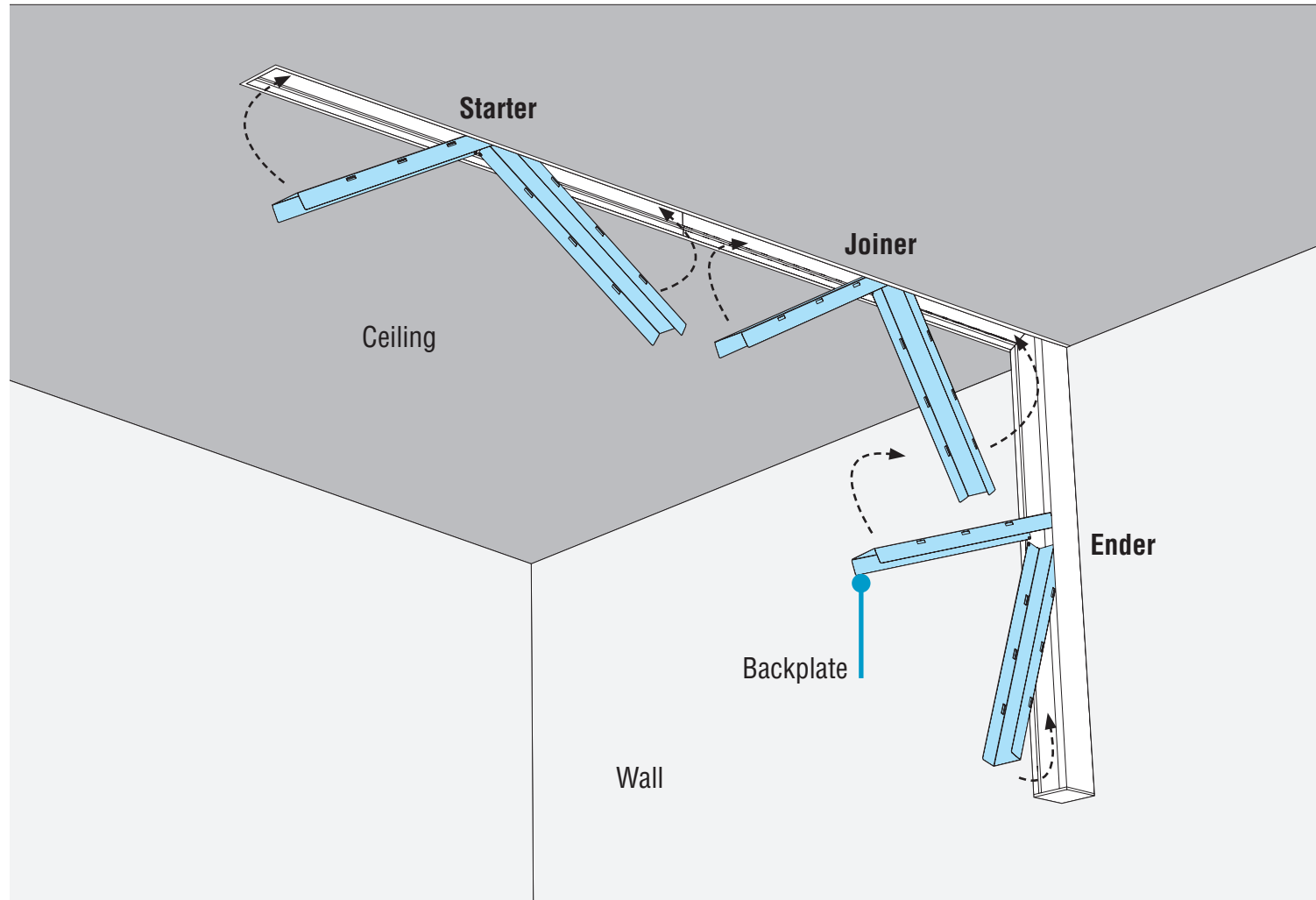


Simple
Plug-Together
Wiring

HP-2 / HP-4 / HP-6 Ceiling to Surface Mount Inside Corner Installation Instructions

Step 9 - Closing Luminaires

A. Close All Backplates



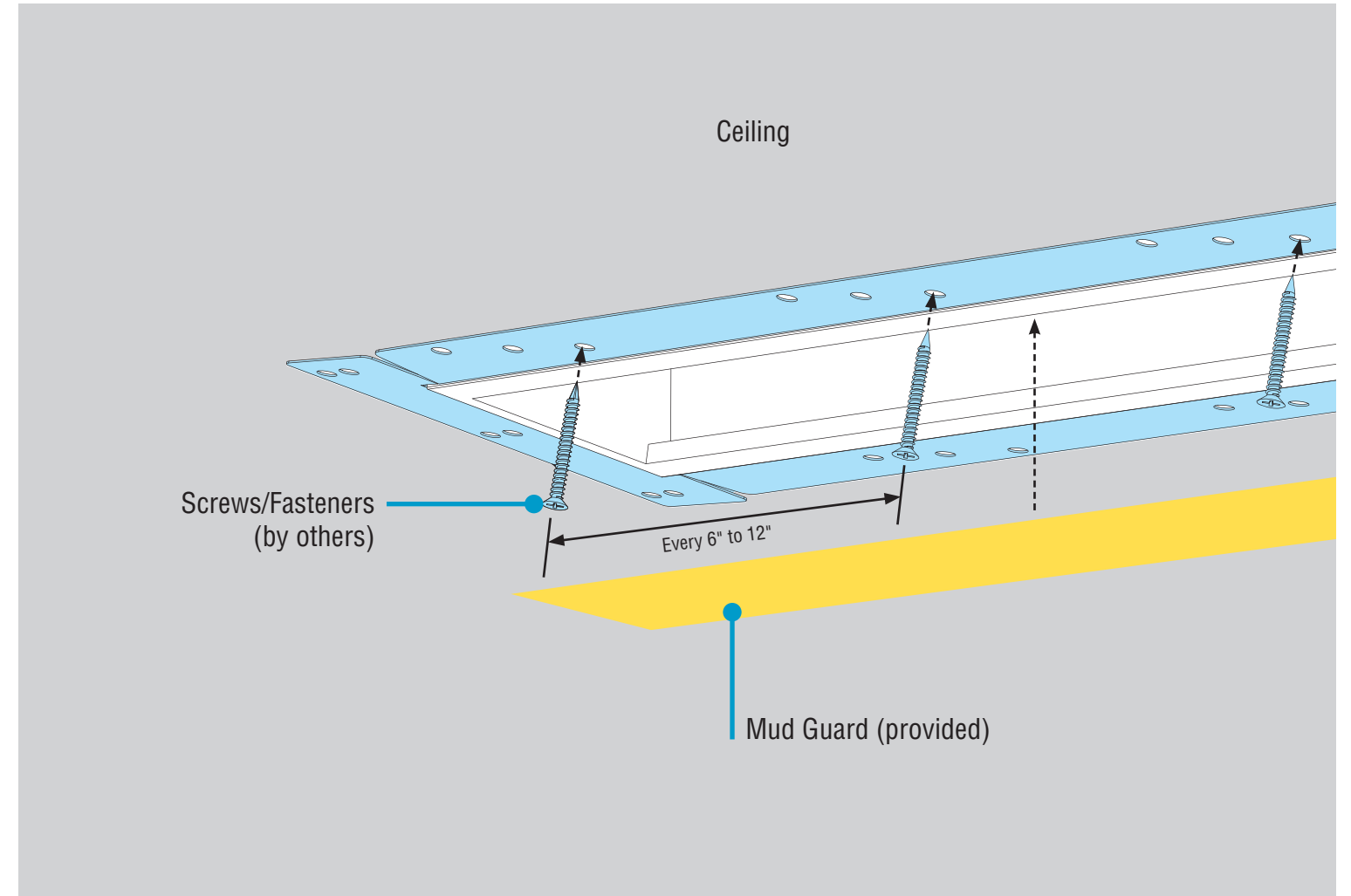
- **FOR SENSOR OR SOCKET:** If luminaire contains a sensor or socket at endcap, refer to page 3 of appropriate Addendum. If luminaire contains a sensor or socket at joint, refer to page 5 of appropriate Addendum.
- Tighten **all** mounting screws.
- Reinstall **all** backplates by snapping into clips.



Screws/Fasteners
(by others)

¹ Screws or fasteners: drywall - drywall screws, wood - wood screws, etc.

B. Secure Flange to Structure **Spackle Flange Only**



- Secure spackle flanges to wall/ceiling using appropriate screws or fasteners¹ for hard surface, per local building codes.
- Install the "mud guard" cardboard inserts to help prevent spackle and paint from getting into the luminaire.

CONTINUED



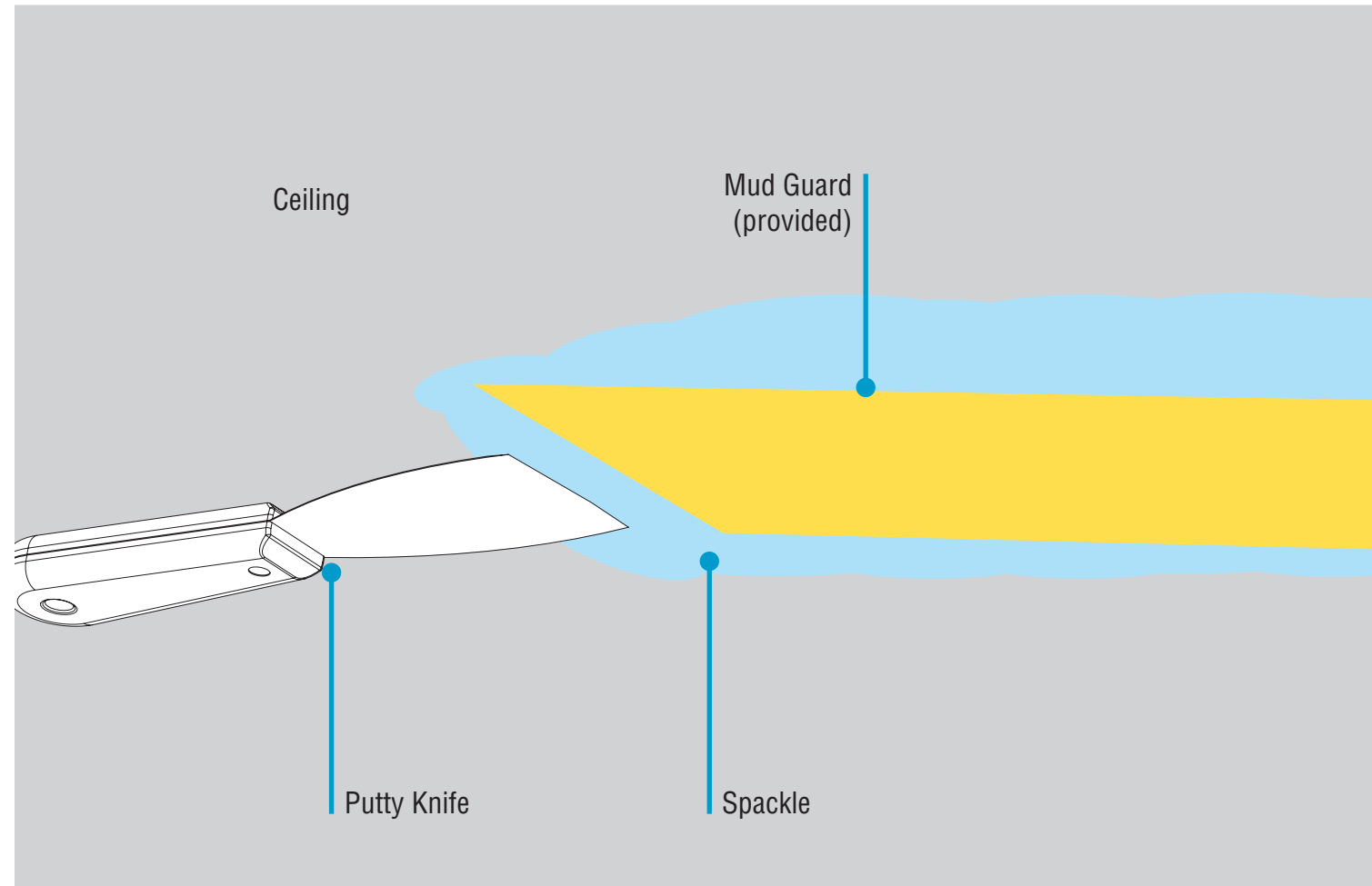
Socket Removal
& Installation

13 of 14

HP-2 / HP-4 / HP-6 Ceiling to Surface Mount Inside Corner Installation Instructions

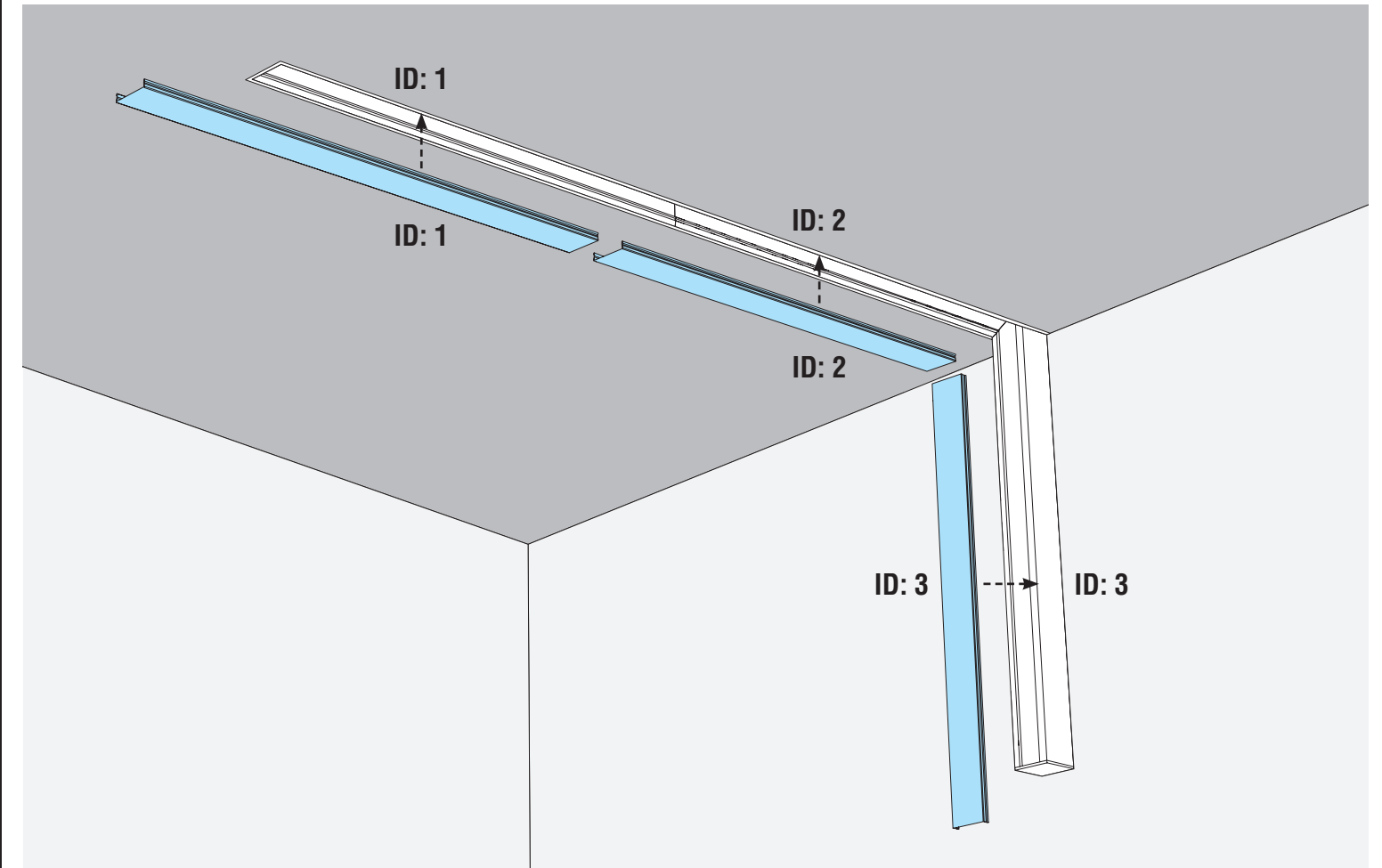
Step 9 - Closing Luminaires

C. Apply Spackle **Spackle Flange Only**



- Spackle and paint over flanges up to luminaire edge.
- **CAUTION:** Careful not to drop spackle into luminaire. Immediately wipe off excess spackle that may have gotten onto luminaire edges.
- Perform all spackling and painting to walls and ceiling prior to removing "mud guards."
- Remove all mud guards.

D. Final Step - Replace Diffusers



- **NOTE:** If your installation includes a battery backup, please see addendum (98333) that should be included with your kitting package.
- Remove diffusers from protective plastic bag.
- **CAUTION:** Wear gloves to keep diffuser surface clean.
- **CRITICAL:** Be sure to install correct diffuser to its corresponding luminaire ID.
- Install diffusers into luminaire body, ensuring they snap into place.
- Turn power on to luminaire.