

H04 Uplight/Downlight Installation Instructions

Overview

NOTES

- Ensure that reflectors do not get dirty or damaged.
- If luminaire contains a sensor refer to the Sensor Addendum.
- All power connections should be installed according to local/national codes by a Certified Electrician.
- This installation requires **proper support** as each luminaire is being installed.
- **DO NOT attempt to join luminaires together on the floor.** Damage may result when lifted.



HELPFUL
VIDEOS



0-10V
Dimming



Simple
Plug-Together
Wiring



Universal &
Robust Joints



Reflector
Installation

Step 1
Mounting & Suspension
Page 2

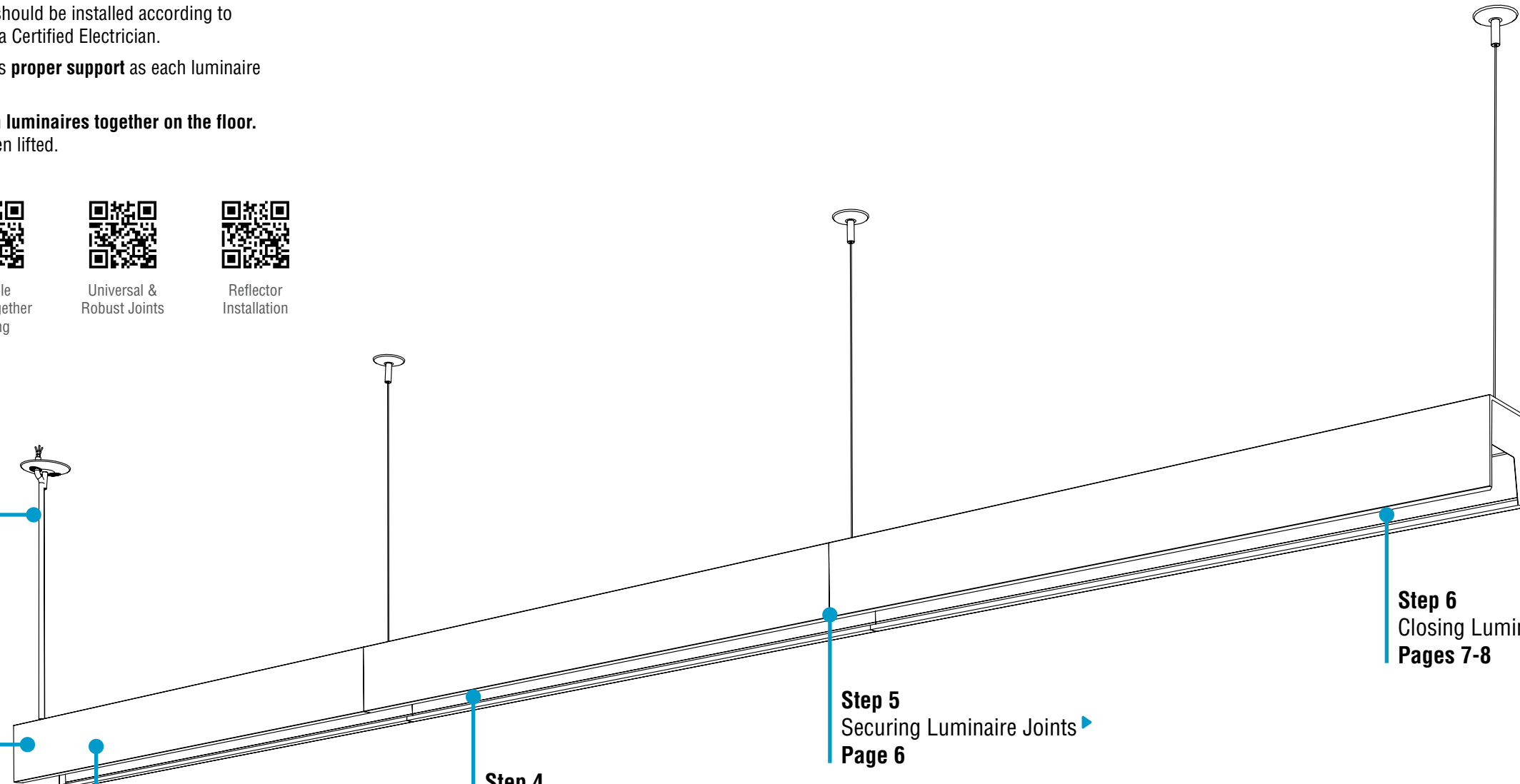
Step 2
Identification & Preparation
Page 3

Step 3
Mounting Starter to Structure
Page 4

Step 4
Joining Luminaires
Page 5

Step 5
Securing Luminaire Joints
Page 6

Step 6
Closing Luminaires
Pages 7-8



H04 Uplight/Downlight Installation Instructions

Step 1 - Mounting & Suspension

Mounting Options

Option 1 T-Bar Mounting - GridBox™, Caddy Clips

- Install GridBox™ and electrical conduit at feed locations.
- Install caddy clips at mounting point locations.
- All caddy clips are to be secured to structure, per local building codes.

Option 2 Drywall (C4), or other hard surfaces* - J-Box, Anchor Bolts

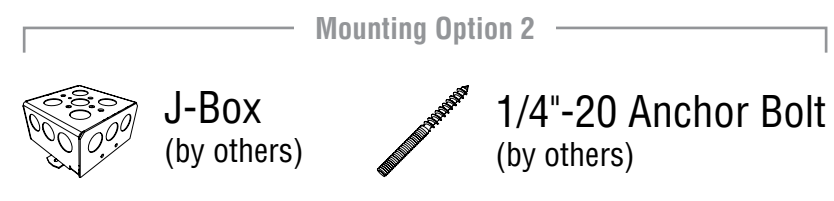
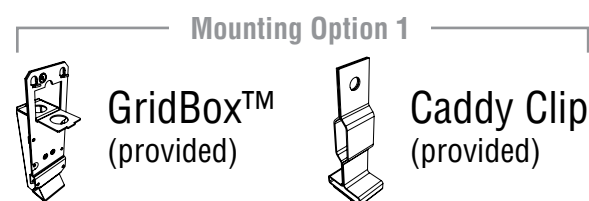
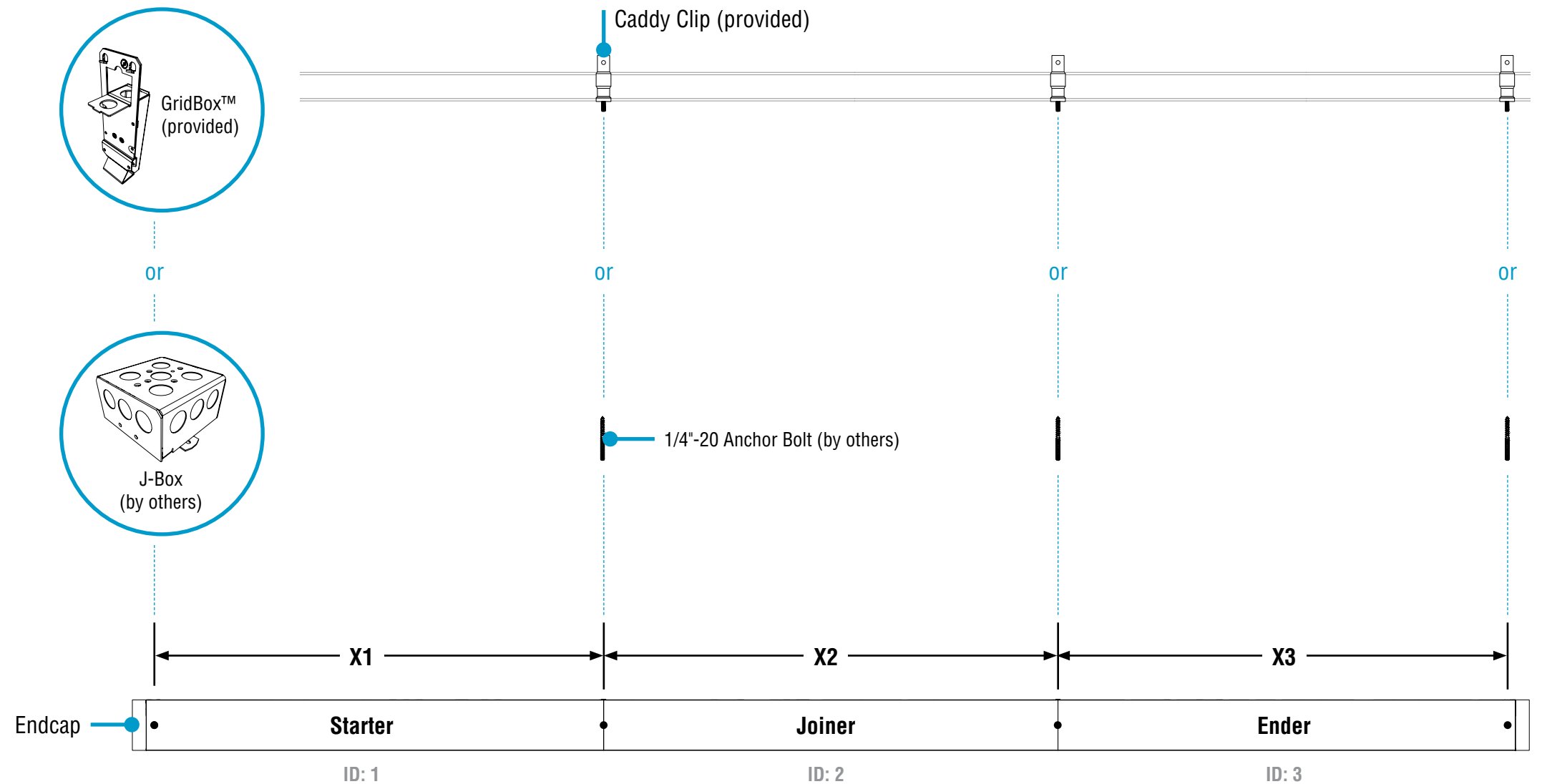
- Install J-Box and electrical conduit at feed locations.
- Install anchor bolts at mounting point locations.
- All anchor bolts are to be secured to structure, per local building codes.

* Other hard surfaces include: wood, sheet metal panels, steel beams, concrete or masonry. Use hardware appropriate for each surface material type.

Suspension Locations

X = Luminaire section length
(X Measurements **do not include** endcaps)

Refer to Record Drawings and building plans to determine exact mounting, suspension points, and power feed locations.



HO4 Uplight/Downlight Installation Instructions

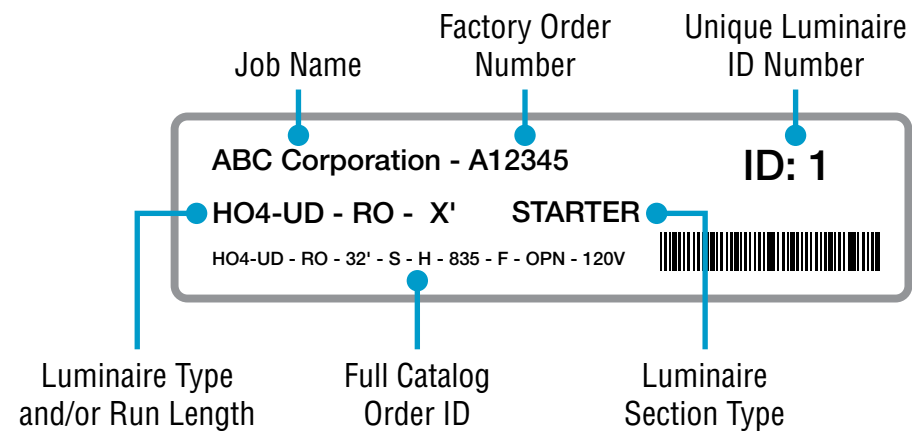
Step 2 - Identification & Preparation

A. Identify Luminaires



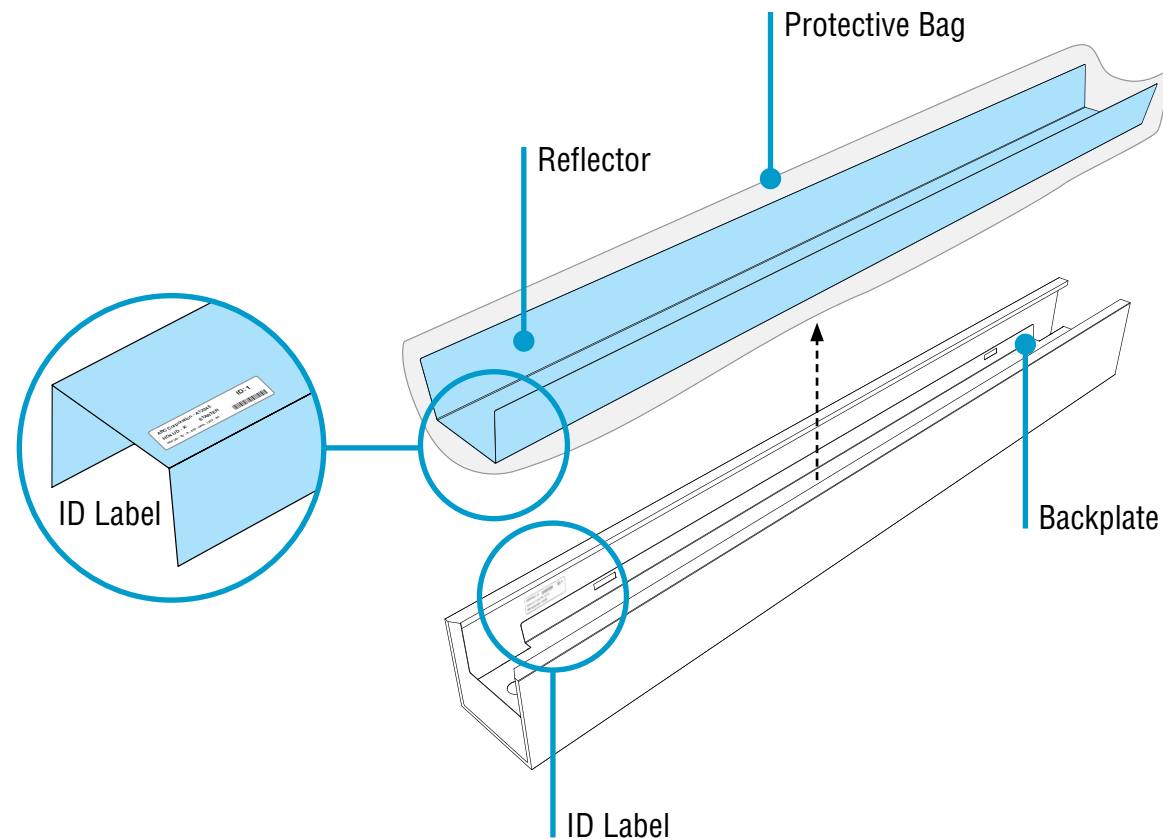
Arrange luminaires in order at their install locations, according to ID#.

CAUTION



- Identify all luminaires by their ID label that can be found on the box, on the reflector, and inside the luminaire.
- NOTE:** Exact location of labels in these areas may vary.
- Remove luminaires from box.
- Refer to Record Drawings that can be found in the hardware kit.

B. Remove Reflector Top-Down View



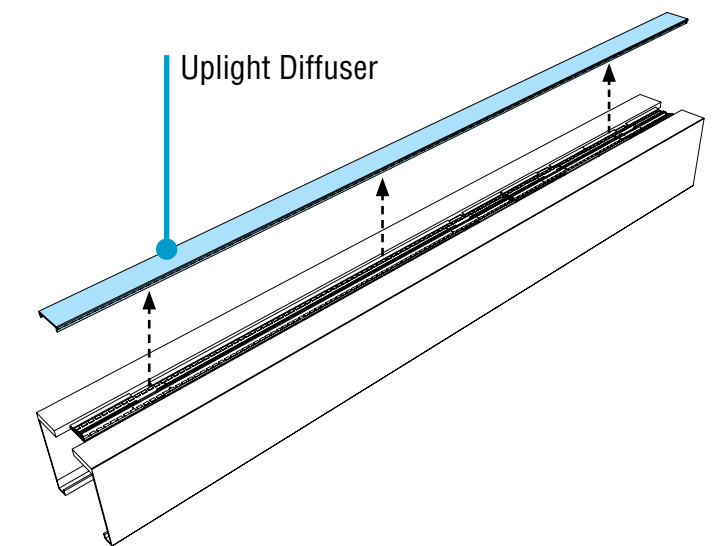
- Carefully remove all reflectors, keeping them inside their protective bags.
- Set aside all reflectors to prevent from getting dirty or damaged.
- Ensure reflectors can be clearly identified back to its corresponding luminaire.

C. Remove Uplight Diffuser Top-Down View



Wear gloves to keep diffuser surface clean.

CAUTION



- Carefully remove all uplight diffusers.
- Set aside to prevent from getting dirty or damaged.

Kitted Hardware

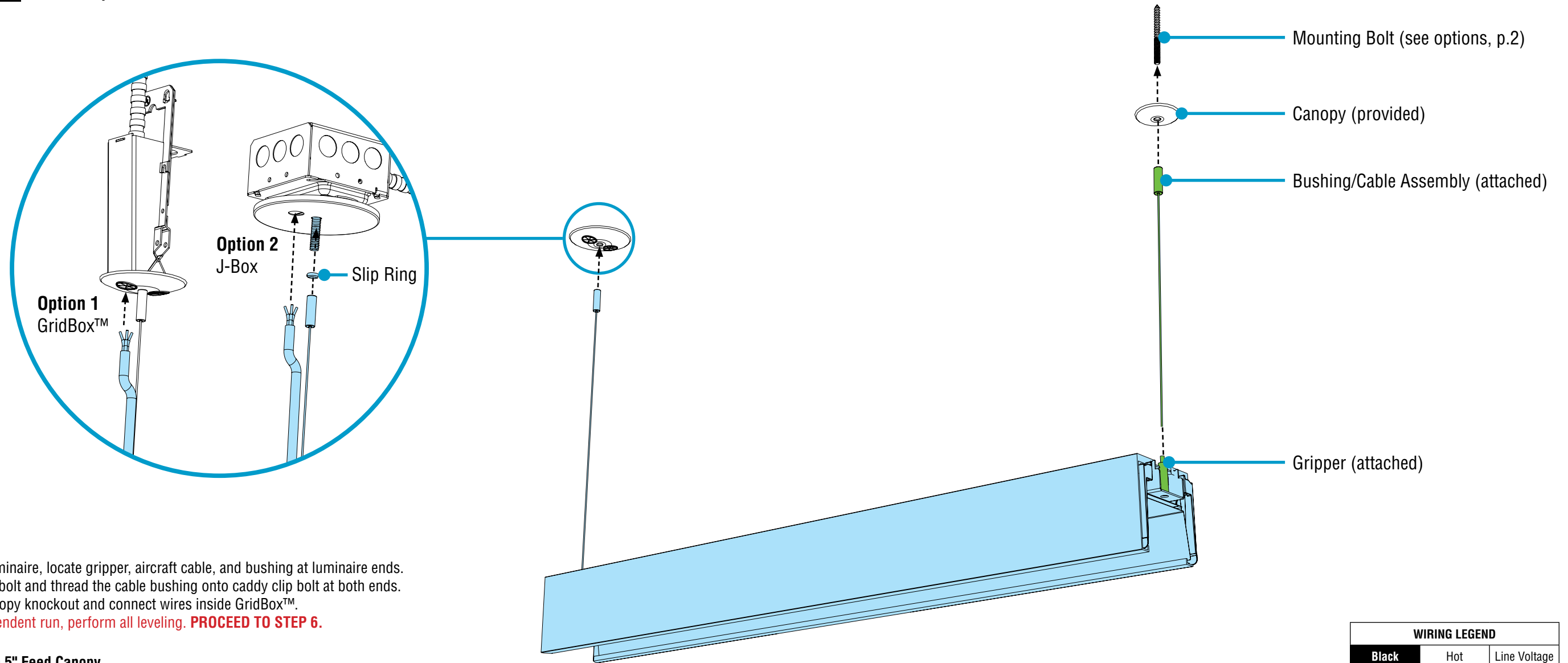
- Finelite has provided items listed here, with their Finelite part numbers. These items can be found in separate boxes shipped with the luminaire.
- Account for all parts and set aside until they are needed.
- All other hardware needed for this installation will be by others.

<p>GridBox™ Part# 89159</p>		<p>5" Dual Feed Canopy Part# 89192</p>		<p>5" Feed Canopy Part# 94108</p>		<p>Support Canopy Part# 89193</p>		<p>Cable Bushing Part# 94014</p>		<p>Safety Crimp Part# 94514</p>	
<p>Dual GridBox™ Part# 89199 Mounting & Suspension p. 2, Step 1</p>		<p>5" Feed Canopy Part# 94108 Mounting Starter to Structure p. 4, Step 3 Joining Luminaires p. 5, Step 4</p>		<p>5" Dual Feed Canopy Part# 89192 Mounting Starter to Structure p. 4, Step 3 Joining Luminaires p. 5, Step 4</p>		<p>Support Canopy Part# 89193 Mounting Starter to Structure p. 4, Step 3 Joining Luminaires p. 5, Step 4</p>		<p>Aircraft Cable 50' - Part# 94515-12 (Std.) 100' - Part# 94515-14 150' - Part# 94515-18</p>		<p>Yoke Bracket Part# 45042 #10-32 x 5/8" Screw Part# 94139 Securing Luminaire Joints p. 6, Step 5</p>	
<p>Caddy Clip C1 Ceiling - Part# 94001 C2 Ceiling - Part# 94020 C3 Ceiling - Part# 94029 Mounting & Suspension p. 2, Step 1</p>		<p>Support Canopy Part# 89193 Mounting Starter to Structure p. 4, Step 3 Joining Luminaires p. 5, Step 4</p>		<p>Slip Ring w/Set Screw Part# 94015 Mounting Starter to Structure p. 4, Step 3</p>		<p>Cable Gripper Part# 68129 Mounting Starter to Structure p. 4, Step 3 Joining Luminaires p. 5, Step 4</p>					

H04 Uplight/Downlight Installation Instructions

Step 3 - Mounting Starter to Structure

Mount Starter to Structure Bottom-Up View



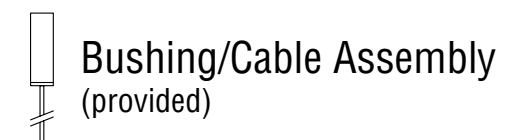
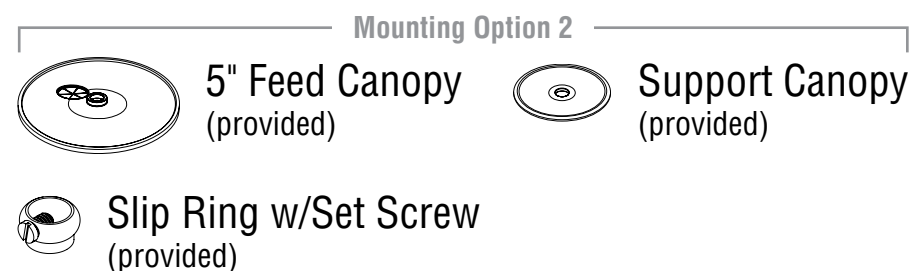
Mounting Option 1 - GridBox™

- While properly supporting luminaire, locate gripper, aircraft cable, and bushing at luminaire ends.
- Slide canopy onto caddy clip bolt and thread the cable bushing onto caddy clip bolt at both ends.
- Feed power cord through canopy knockout and connect wires inside GridBox™.
- **CRITICAL:** If part of an independent run, perform all leveling. **PROCEED TO STEP 6.**

Mounting Option 2 - J-Box with 5" Feed Canopy

- While properly supporting luminaire, locate gripper, aircraft cable, and bushing at luminaire ends.
- Slide canopy onto anchor bolt and thread the slip ring onto anchor bolt. Secure with set screw.
- Thread cable bushing onto anchor bolt.
- Feed power cord through canopy knockout and connect wires inside J-Box.
- **CRITICAL:** If part of an independent run, perform all leveling. **PROCEED TO STEP 6.**

WIRING LEGEND		
Black	Hot	Line Voltage
White	Neutral	Line Voltage
Green	Ground	
Pink	Dimming	0-10V DC
Purple	Dimming	0-10V DC



0-10V
Dimming

H04 Uplight/Downlight Installation Instructions

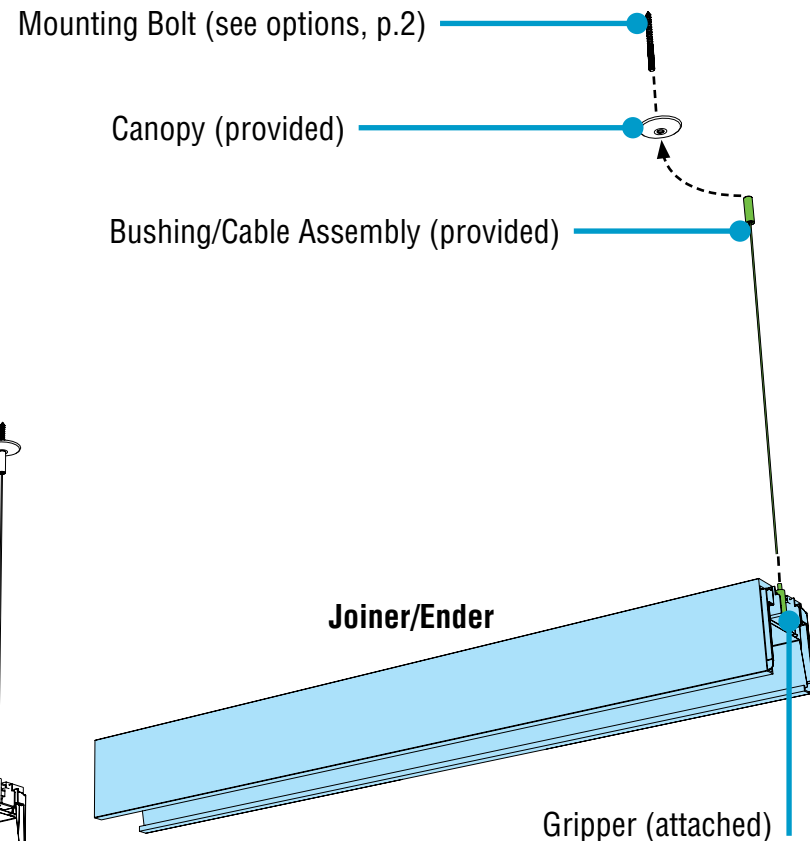
Step 4 - Joining Luminaires

A. Mount Joiner/Ender to Structure Bottom-Up View



CAUTION

DO NOT attempt to join luminaires together on the floor. Damage may result when lifted. Follow these instructions.

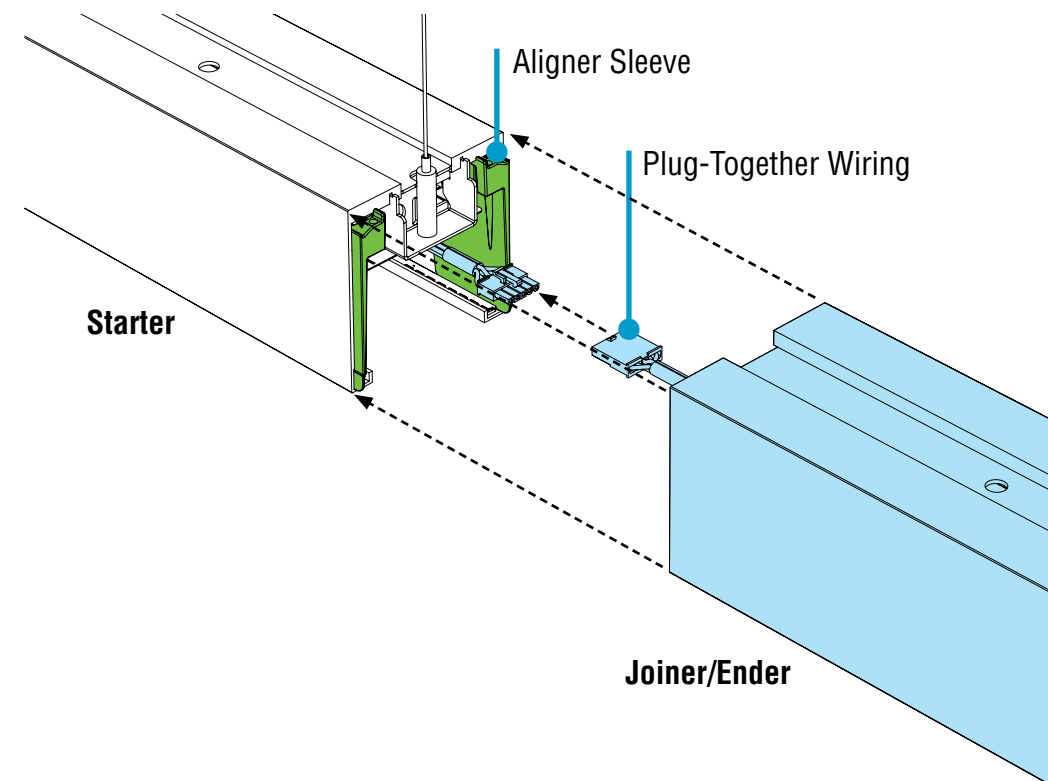


- **FOR SENSOR:** If luminaire contains a sensor at joint, refer to page 4 of Sensor Addendum before joining luminaires.
- For the joiner/ender luminaire, slide canopy appropriate for electrical type onto mounting bolt (anchor bolt or caddy clip bolt).
- Thread the bushing/cable assembly onto mounting bolt.
- While properly supporting luminaire, maneuver luminaire to ceiling.
- Locate gripper at luminaire ends and feed aircraft cable through it by depressing top of gripper.

B. Make Electrical Connections Top-Down View

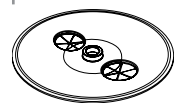


Once luminaires are aligned together, **joiner luminaire is not yet secure**. Ensure it does not slide off as it rests on the starter luminaire.

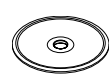


- Connect plug-together wiring.
- Align joiner/ender with aligner sleeves on starter and slide together. Be careful not to damage any wiring.
- Level joining luminaire by raising or lowering the far end of the joining luminaire. **DO NOT** proceed to install yoke brackets if luminaire ends at the joint are not flush.

Mounting Option 1

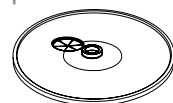


5" Dual Feed Canopy (provided)

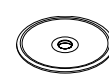


Support Canopy (provided)

Mounting Option 2



5" Feed Canopy (provided)



Support Canopy (provided)



Slip Ring w/Set Screw (provided)



Bushing/Cable Assembly (provided)

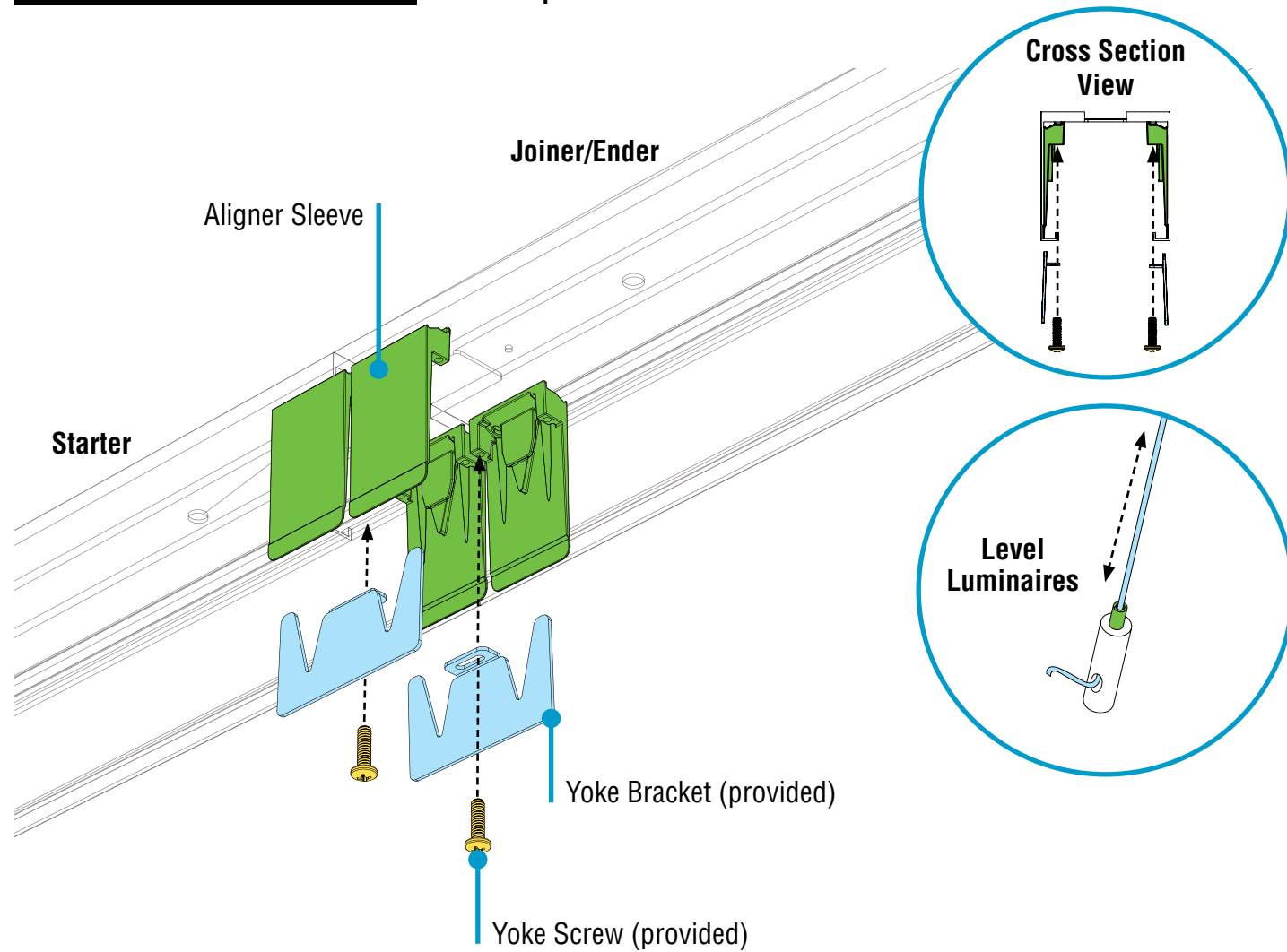


Simple Plug-Together Wiring

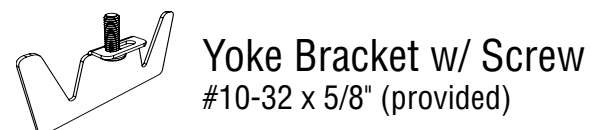
H04 Uplight/Downlight Installation Instructions

Step 5 - Securing Luminaire Joints

Secure Joint with Yoke Brackets Bottom-Up View

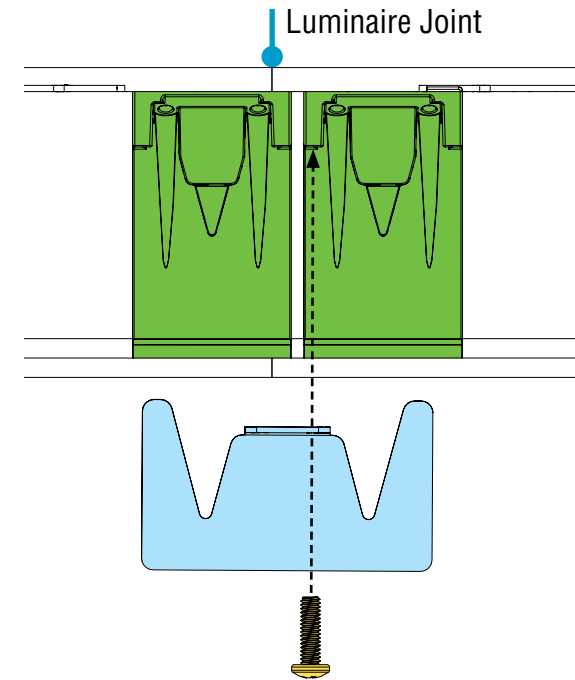


- Before installing yoke brackets, ensure the joining ends of luminaires meet flush and square.
- **CRITICAL:** Ensure yoke brackets properly engage with aligner sleeves.
- Secure joint by threading (but not yet tightening) yoke screws through yoke brackets and into the aligner sleeves.
- Level all luminaires to desired height by depressing top of grippers to adjust cable lengths.
- Tighten yoke screws¹ until joint seam of luminaires is closed.

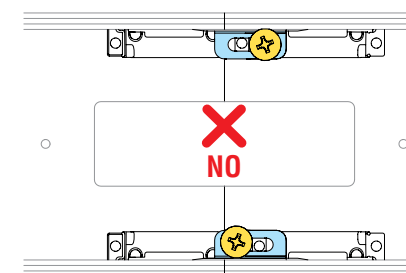


¹ Screwdriver with 6" bit required.

IN ALIGNMENT

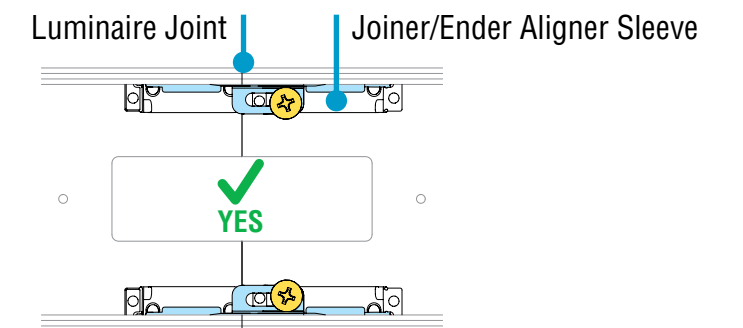
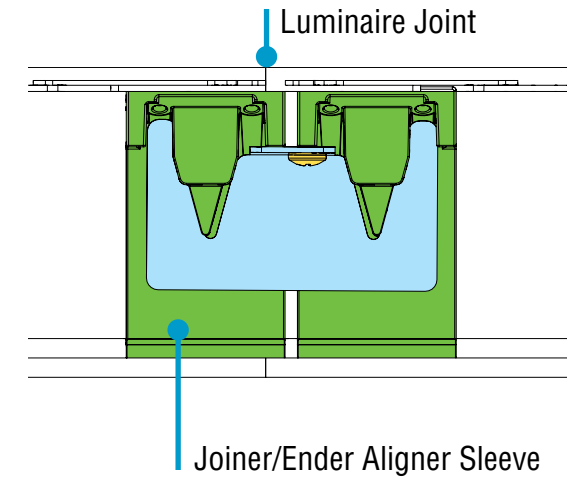


YOKE SCREW ALIGNMENT Bottom-Up View



- **NOTE:** Yoke screws should be installed directly across from each other, not diagonally, and in holes furthest from the joint line. One yoke screw per one yoke bracket.

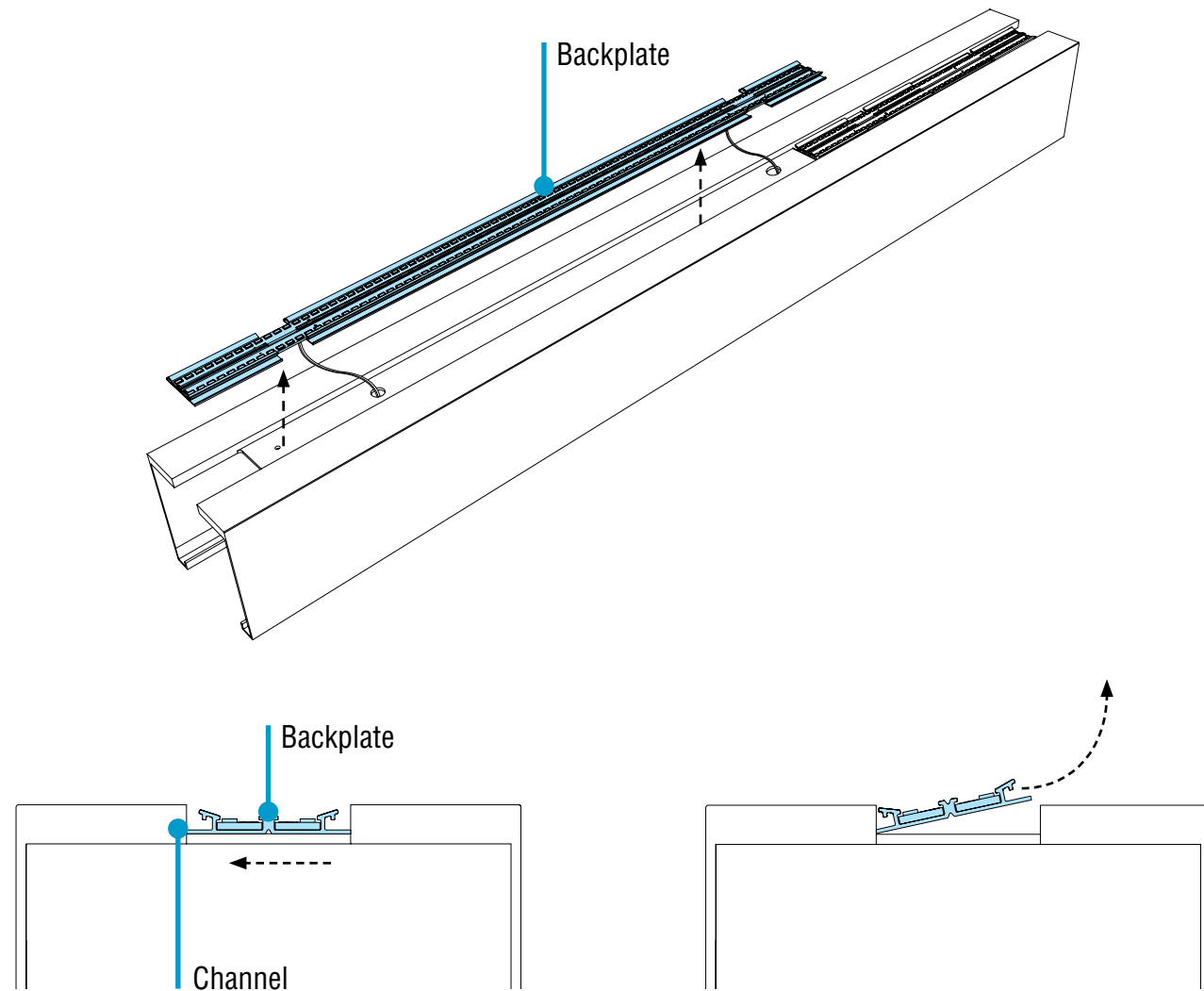
CORRECTLY INSTALLED



H04 Uplight/Downlight Installation Instructions

Step 6 - Closing Luminaires

A. Remove Backplate Top-Down View



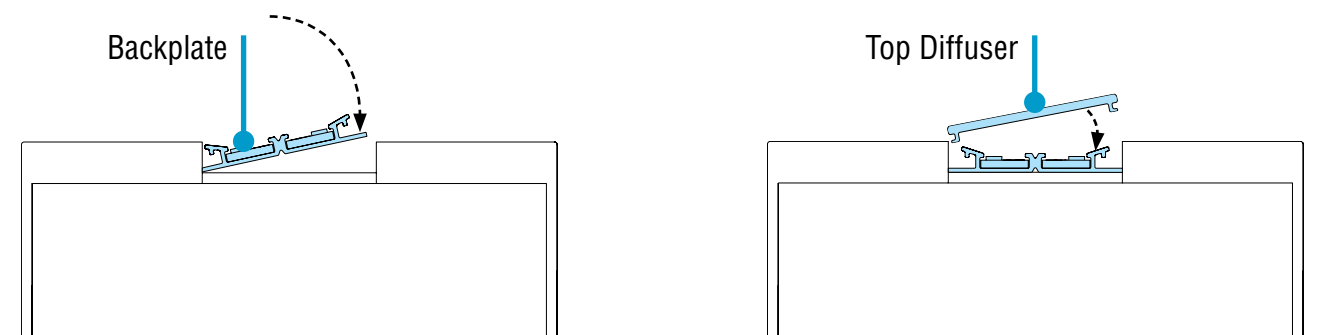
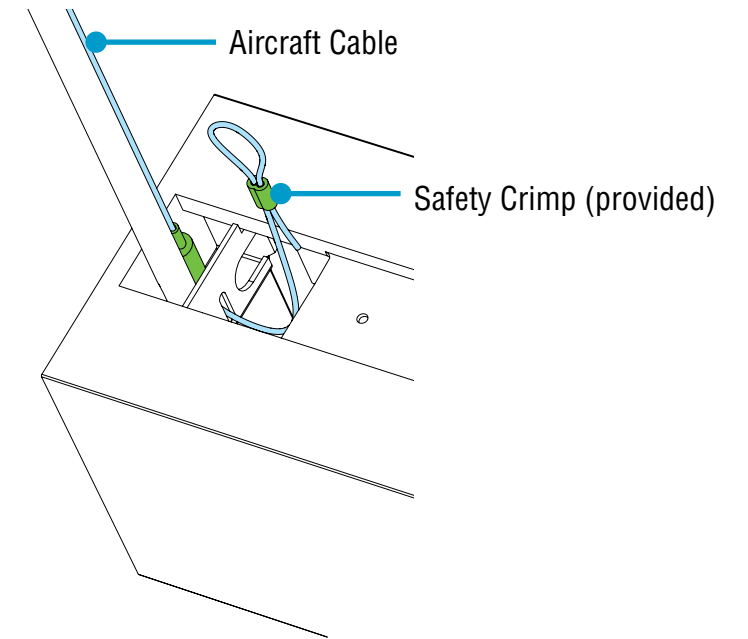
- Only remove backplate at the **END LOCATIONS**.
- Pull backplate to one side of channel, then lift out. **DO NOT** disconnect LED board harnesses.
- Rest backplate on top of luminaire.



B. Crimp Cables & Replace Backplate Top-Down View



CAUTION Wear gloves to keep diffuser surface clean. Be careful not to crease material. Make all adjustments to placement before settling on final position of diffuser.



- Ensure all leveling has been performed prior to applying safety crimp.
- Loop aircraft cable through safety crimp.
- Crimp, cut excess cable, and tuck back into luminaire body.
- Replace backplate by sliding back into the channel and centering.
- Replace top diffuser.
- **CRITICAL:** Be sure to install correct diffuser to its corresponding luminaire ID.

CONTINUED

H04 Uplight/Downlight Installation Instructions

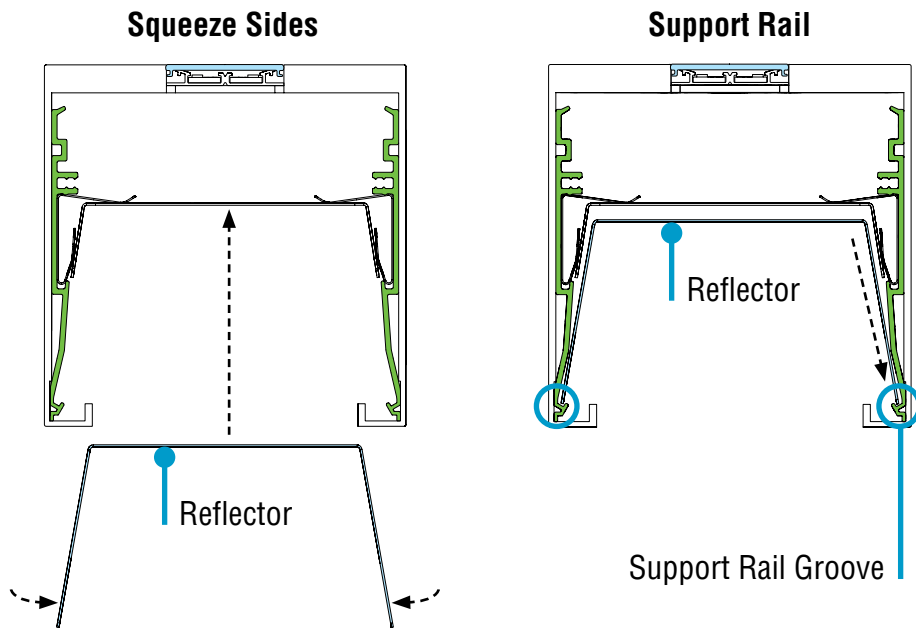
Step 6 - Closing Luminaires

C. Final Step - Install Reflectors Side View

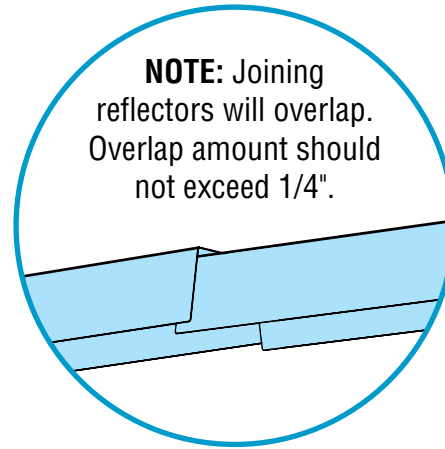


CAUTION

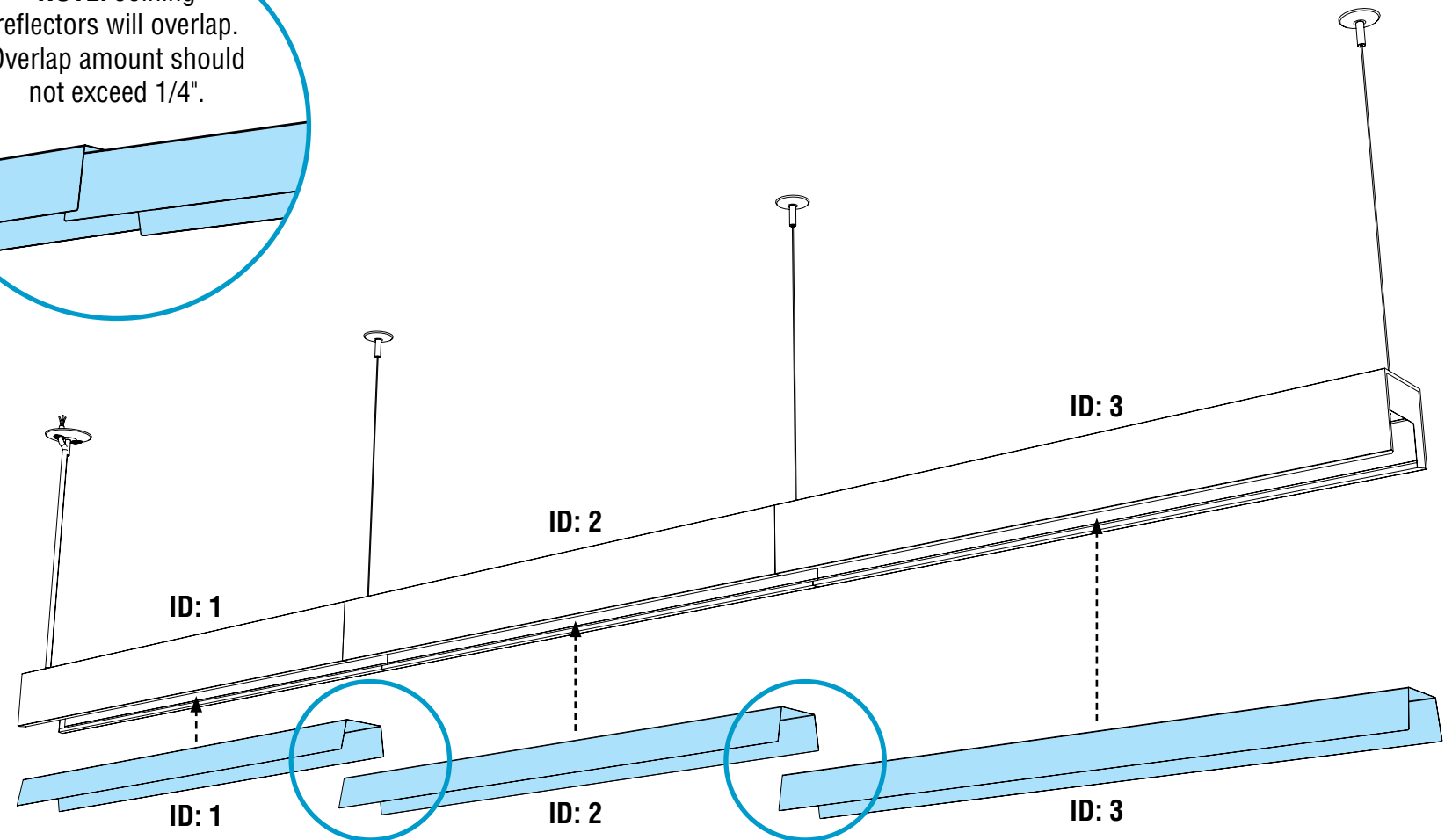
Wear gloves to keep reflector surface clean. Be careful not to crease material. Make all adjustments to placement before settling on final position of reflector.



- **NOTE:** If your installation includes a battery backup, please see addendum (98333) that should be included with your kitting package.
- **FOR SENSOR:** If luminaire contains a sensor at joint, reinstall backplate by rotating into luminaire body and snapping into clips. Then refer to page 6 of Sensor Addendum before Closing Luminaires.
- Remove reflectors from protective plastic bag prior to installing.
- **CRITICAL:** Be sure to install correct reflector to its corresponding luminaire ID.
- Install reflector by squeezing in sides and inserting into luminaire body.
- Ensure reflector is pulled down so that its bottom edges catch the groove of the support rail.



NOTE: Joining reflectors will overlap. Overlap amount should not exceed 1/4".



- **NOTE:** Reflectors installed in joiner and ender luminaires are 1/4" longer. When installing the reflectors, overlap the reflector of the previous luminaire section by 1/4".
- Turn power on to luminaires.



Reflector Installation