

H04 Sensor Housing Addendum Installation Instructions

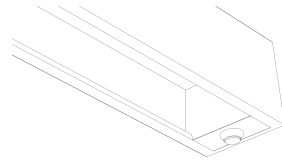
Overview

NOTES

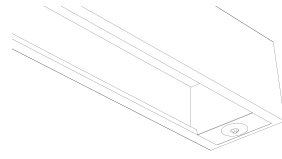
- All power connections should be installed according to local/national codes by a Certified Electrician.
- This installation requires **proper support** as each luminaire is being installed.
- **DO NOT attempt to join luminaires together on the floor.** Damage may result when lifted.

This addendum applies to the following sensors and test button:

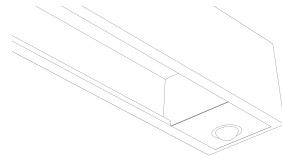
Daylight Sensor



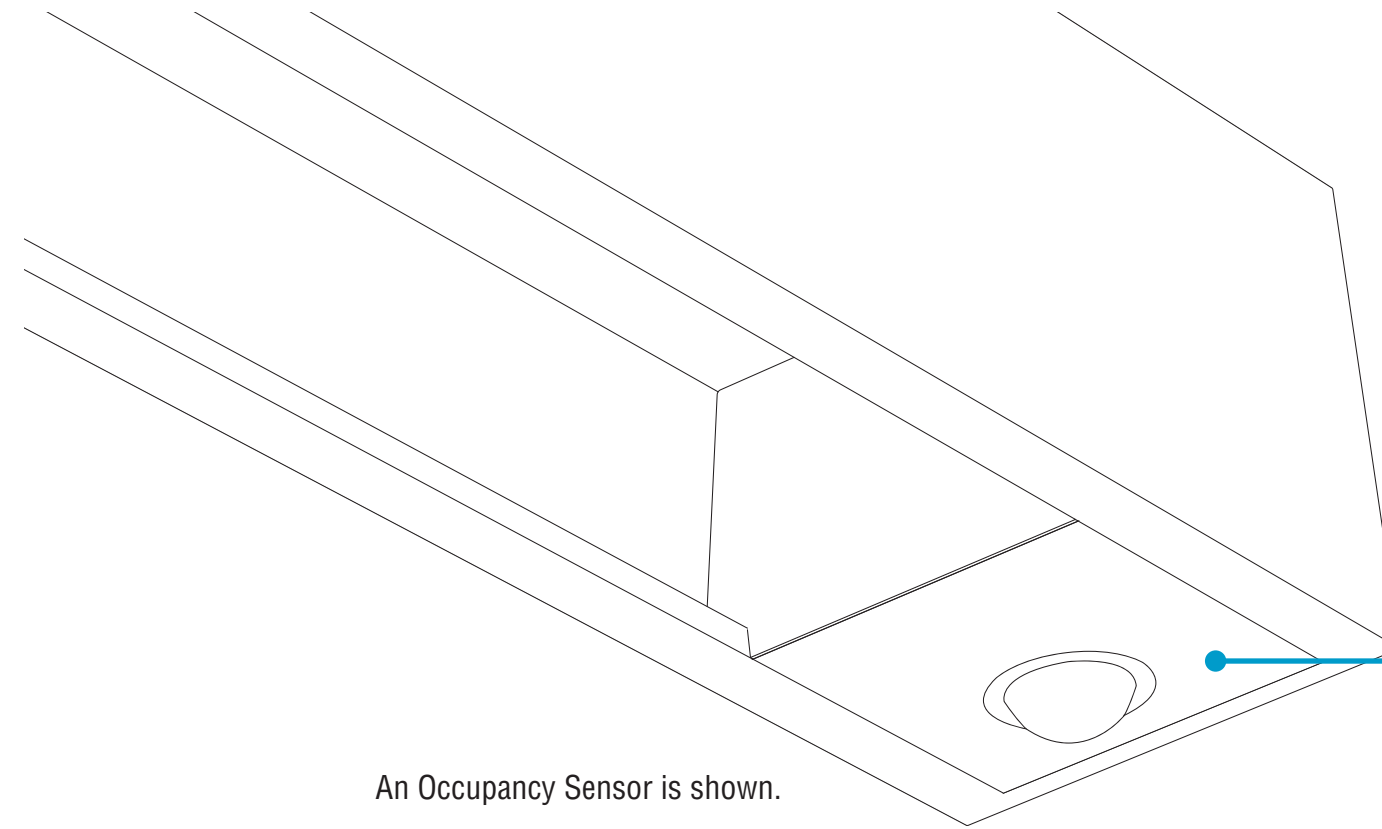
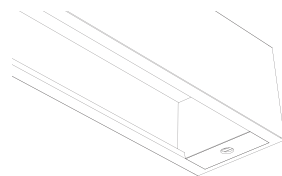
Enlightened Micro Sensor



Occupancy Sensor



Test Button



An Occupancy Sensor is shown.

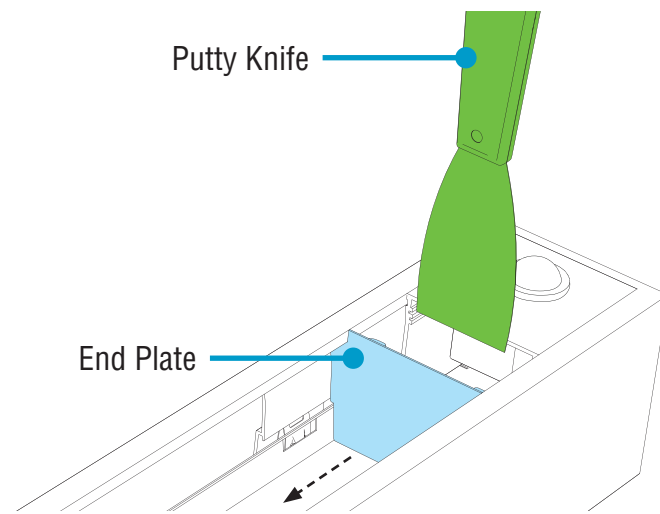
Sensor Housing Addendum at Endcap
Pages 2-3

Sensor Housing Addendum at Joint
Pages 4-7

H04 Sensor Housing Addendum Installation Instructions

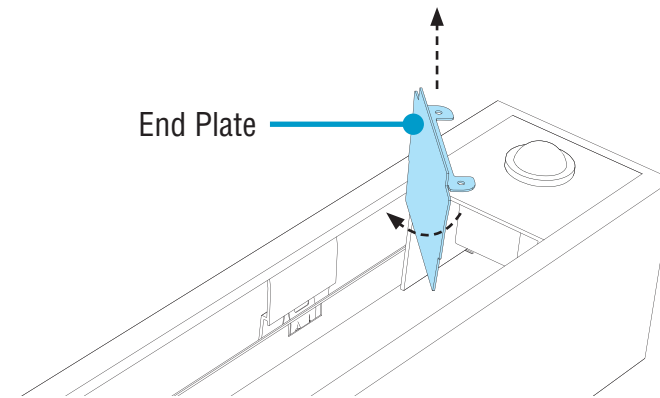
Step 1 - Remove Sensor at Endcap; Surface Mount, Spackle & Visible Flange Only

A. Release End Plate



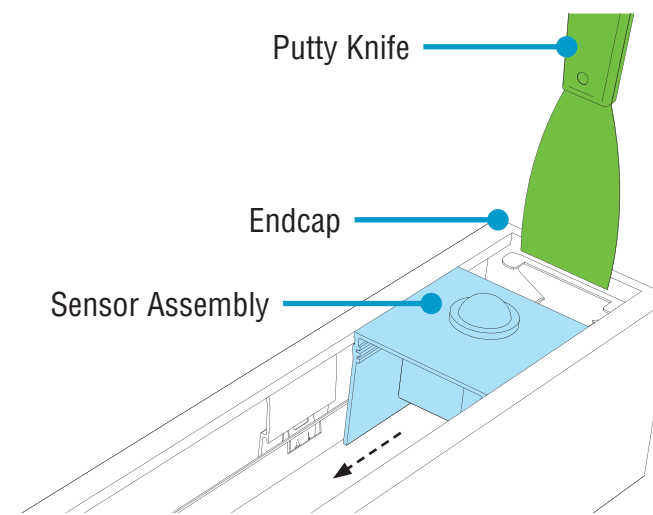
- Release end plate by gently sliding the blade of a putty knife between end plate and sensor assembly.

B. Remove End Plate



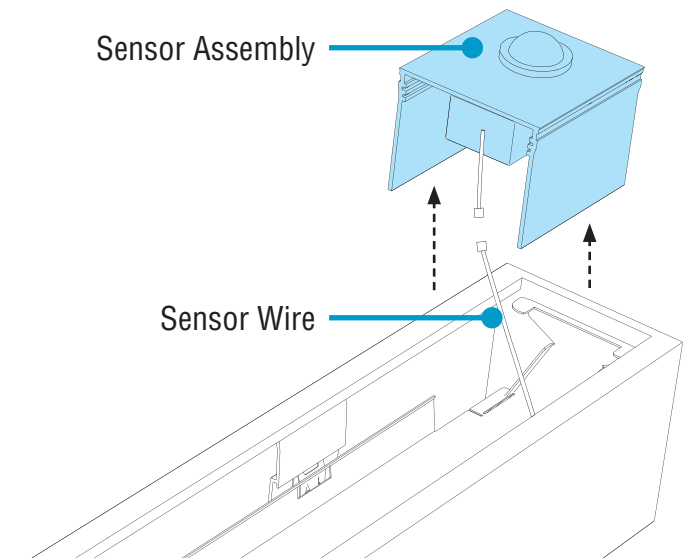
- Rotate end plate and remove from luminaire.

C. Release Sensor Assembly



- Release sensor assembly by gently sliding the putty knife between sensor assembly and luminaire body.
- Slide sensor assembly away from endcap.

D. Remove Sensor Assembly

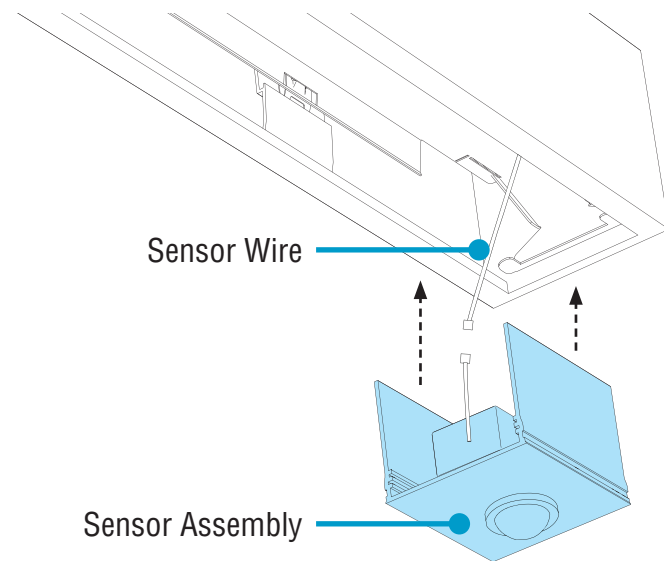


- Remove sensor assembly from luminaire by lifting it straight up and out.
- Disconnect sensor wire from sensor assembly.
- Once sensor assembly is removed, refer back to Luminaire Installation Instructions: Opening Luminaire.

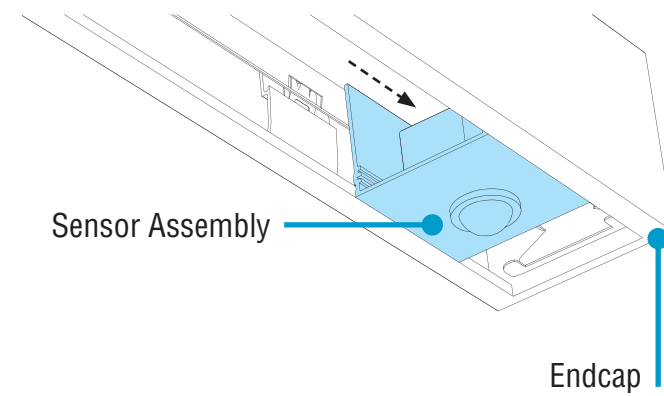
H04 Sensor Housing Addendum Installation Instructions

Step 2 - Reinstall Sensor at Endcap; Surface Mount, Spackle & Visible Flange Only

A. Replace Sensor Assembly

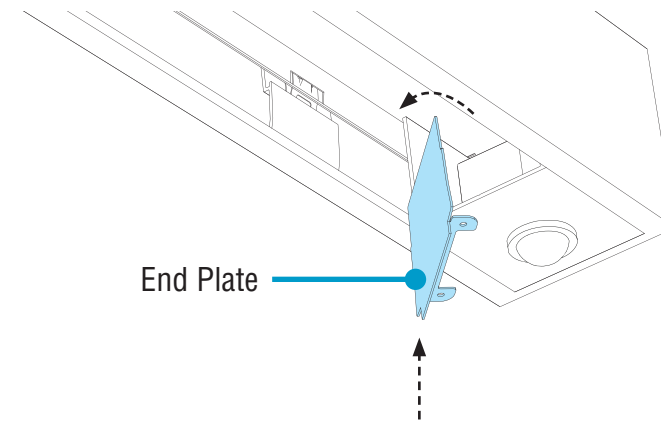


- Once luminaire is mounted and backplate is replaced, reconnect sensor wire to sensor assembly.
- Replace sensor assembly back into luminaire by gently pushing up.

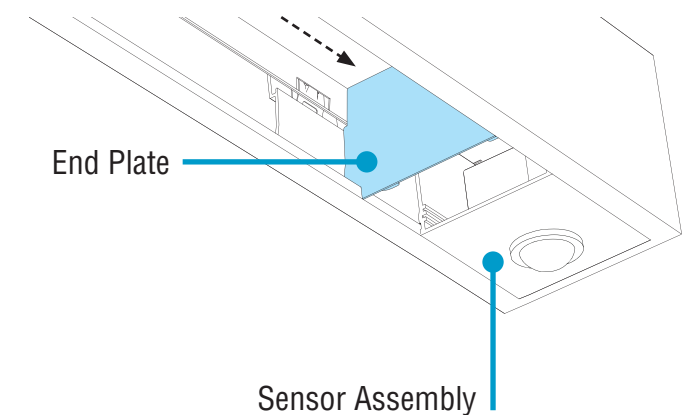


- Slide sensor assembly back towards endcap until flush with luminaire.

B. Replace End Plate



- Rotate end plate and insert into luminaire.



- Slide end plate towards sensor assembly.
- Once end plate is flush with sensor assembly, refer back to Luminaire Installation Instructions: Closing Luminaires.

H04 Sensor Housing Addendum Installation Instructions

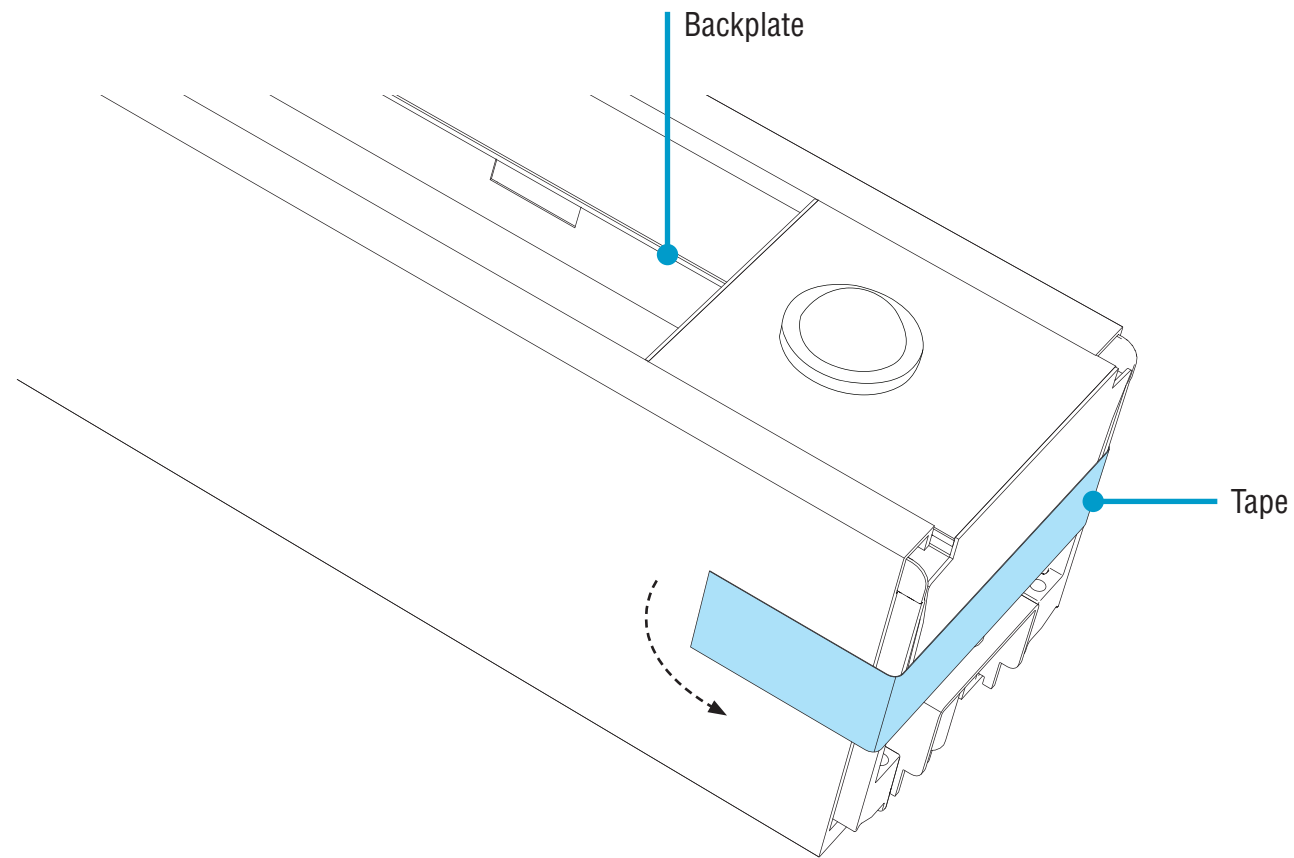
Step 1 - Remove Sensor at Luminaire Joint; For All Mounting Options

A. Remove Sensor at Joint

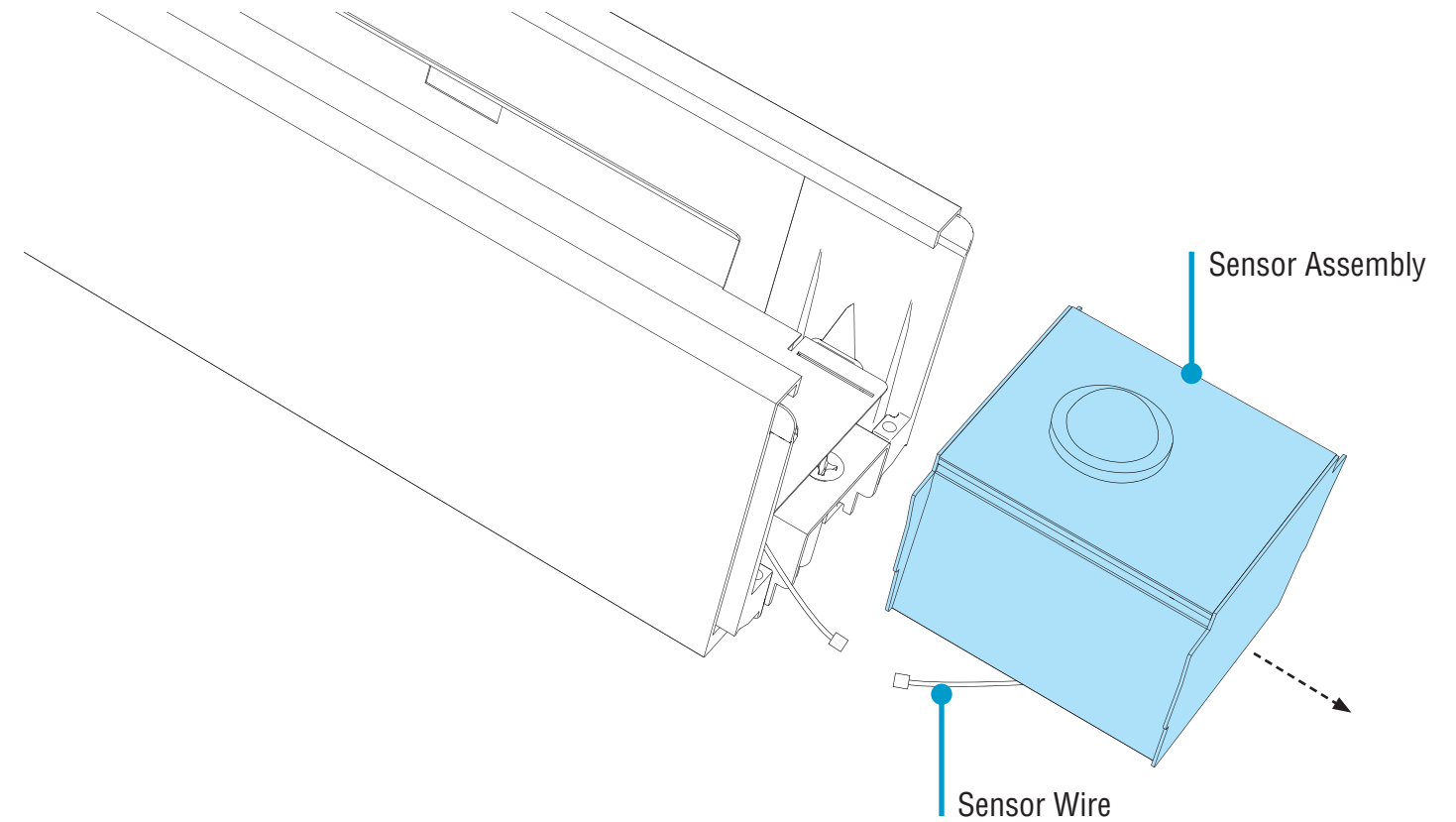


CAUTION

DO NOT attempt to join luminaires together on the floor. Damage may result when lifted. Follow these instructions.



- Slide sensor assembly out of luminaire.
- Disconnect sensor wire from sensor assembly.



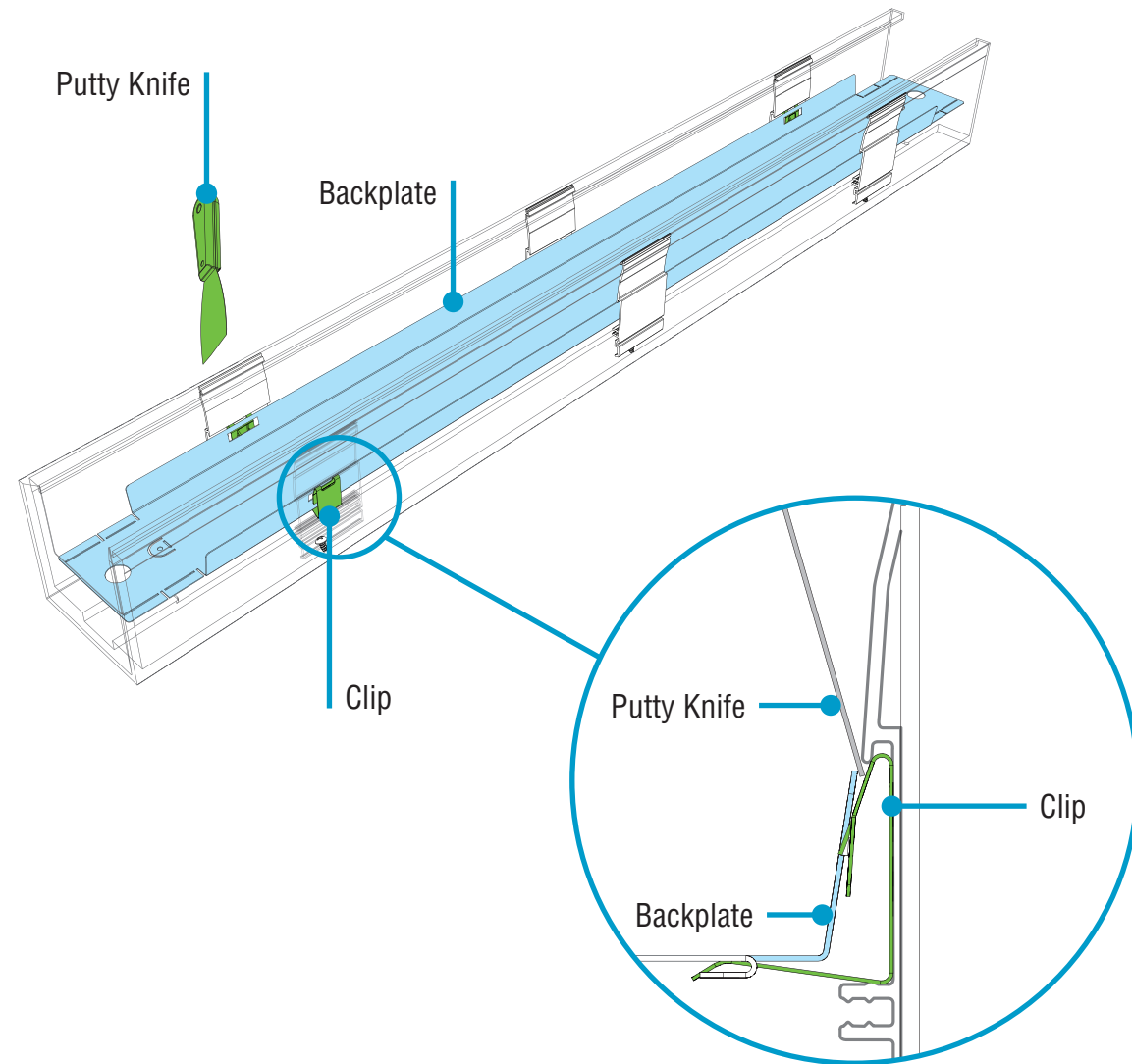
- Remove tape holding sensor assembly onto luminaire and discard.

CONTINUED

H04 Sensor Housing Addendum Installation Instructions

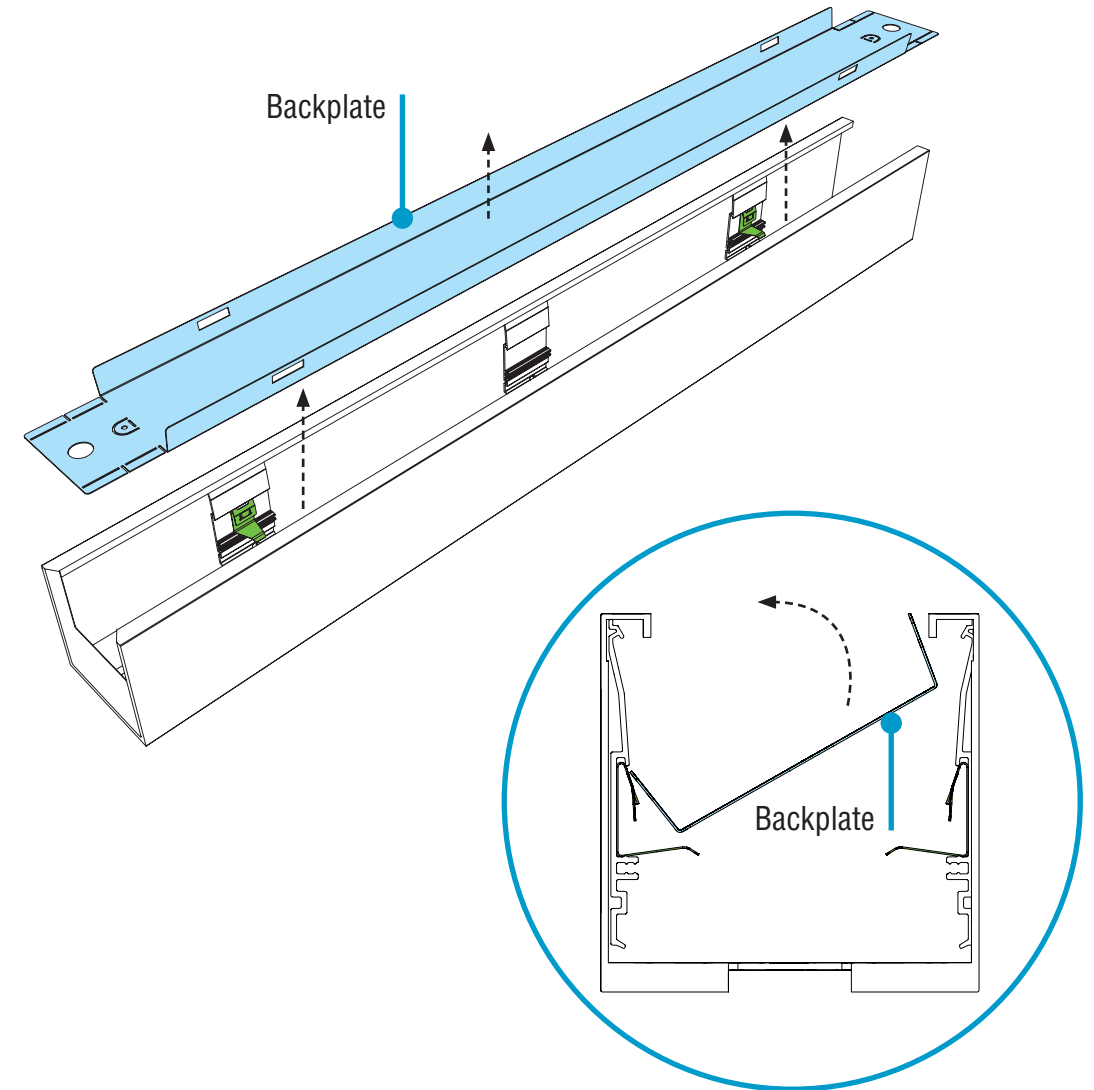
Step 1 - Remove Sensor at Luminaire Joint; For All Mounting Options

B. Release Backplate



- Use putty knife to slip behind backplate edges and release backplate from clips.

C. Remove Backplate

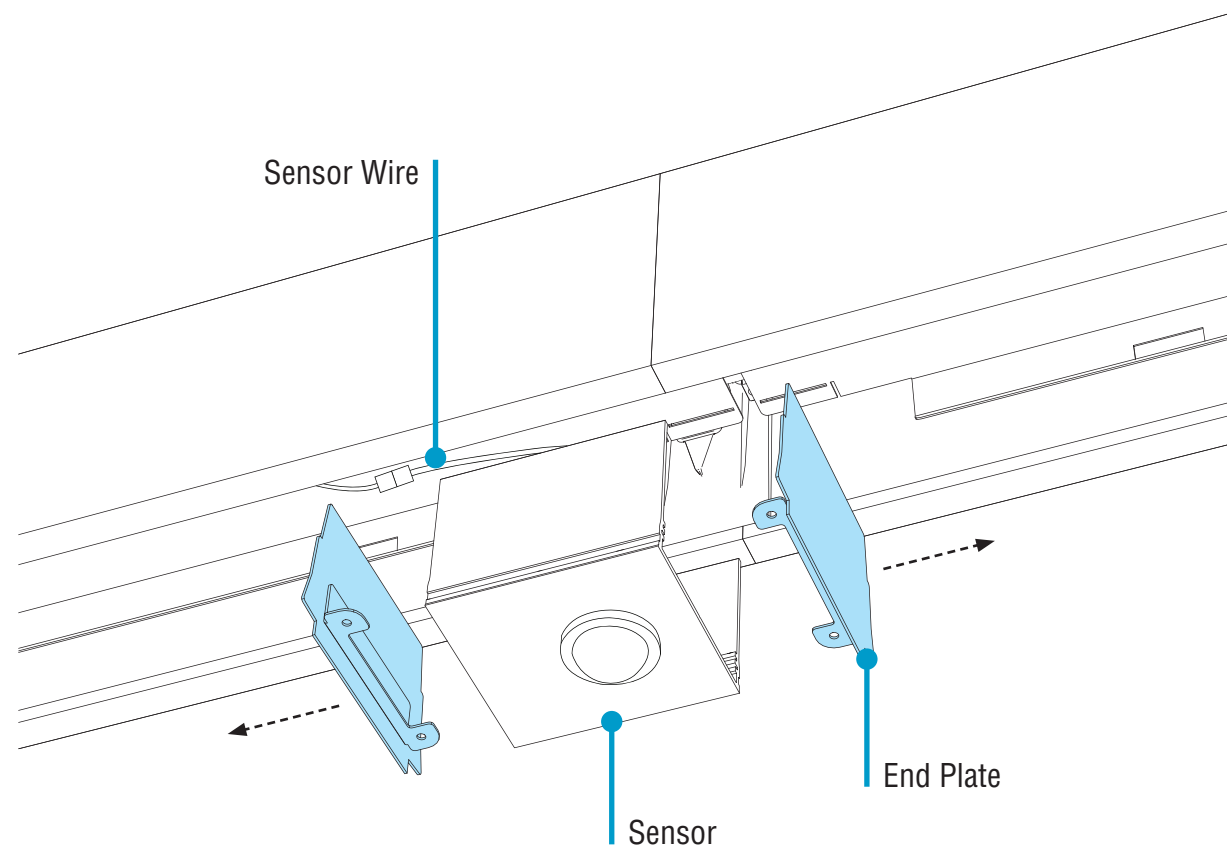


- Rotate backplate out of luminaire and set aside to prevent from getting dirty or damaged.
- Once backplate has been removed, refer back to Luminaire Installation Instructions: Joining Luminaires.

H04 Sensor Housing Addendum Installation Instructions

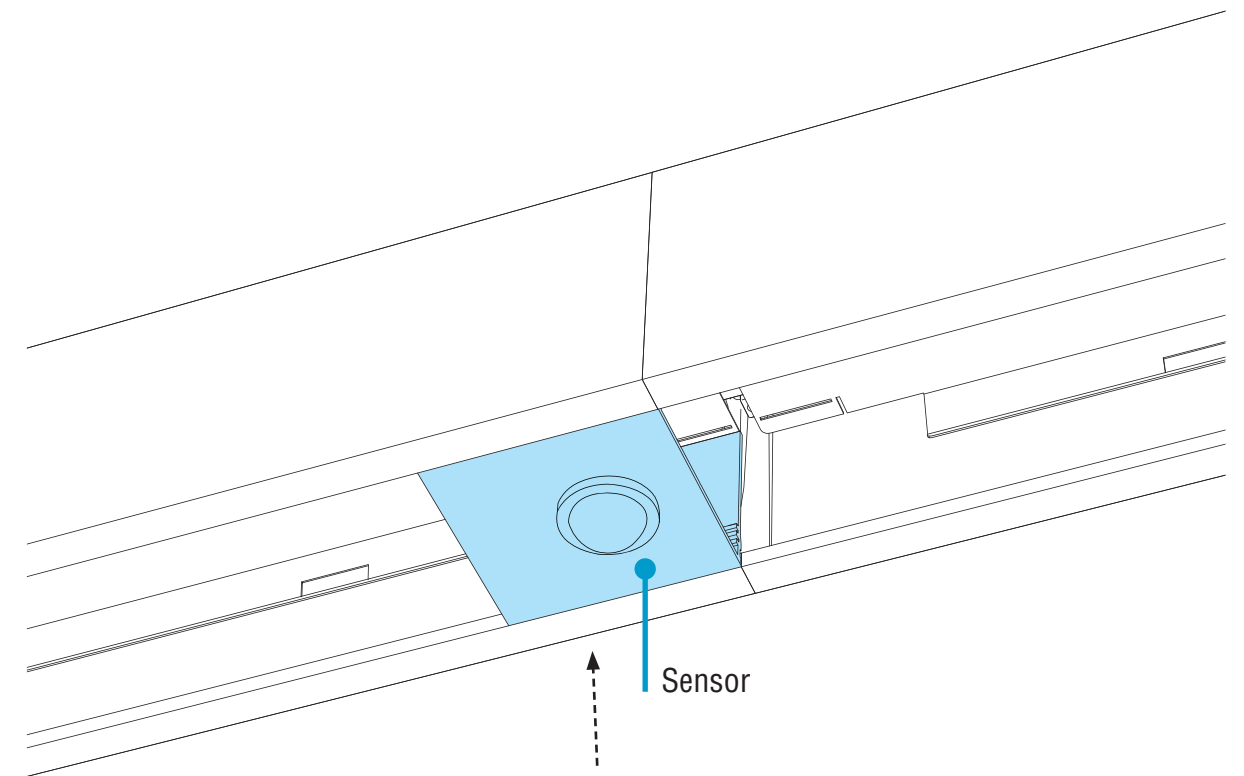
Step 2 - Reinstall Sensor at Luminaire Joint; For All Mounting Options

A. Remove End Plates



- Once luminaires are joined and backplates are replaced, remove both end plates from sensor.
- Reconnect sensor wire to sensor.

B. Replace Sensor



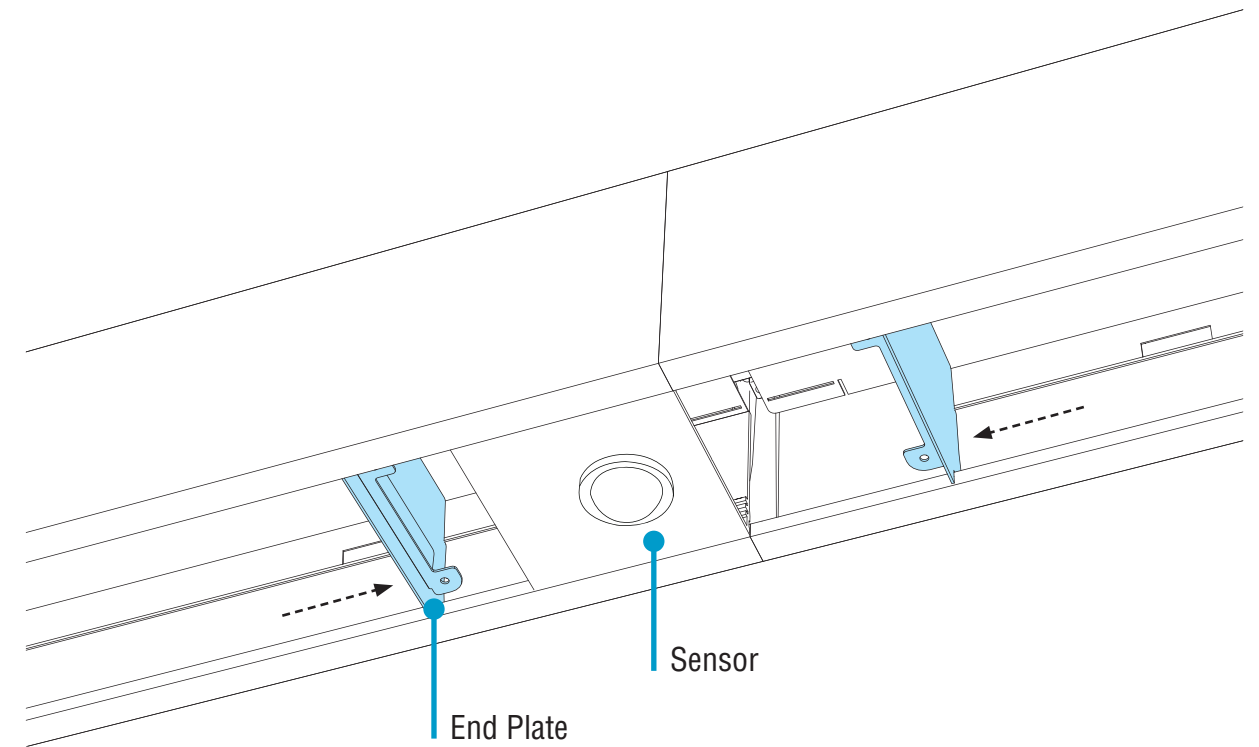
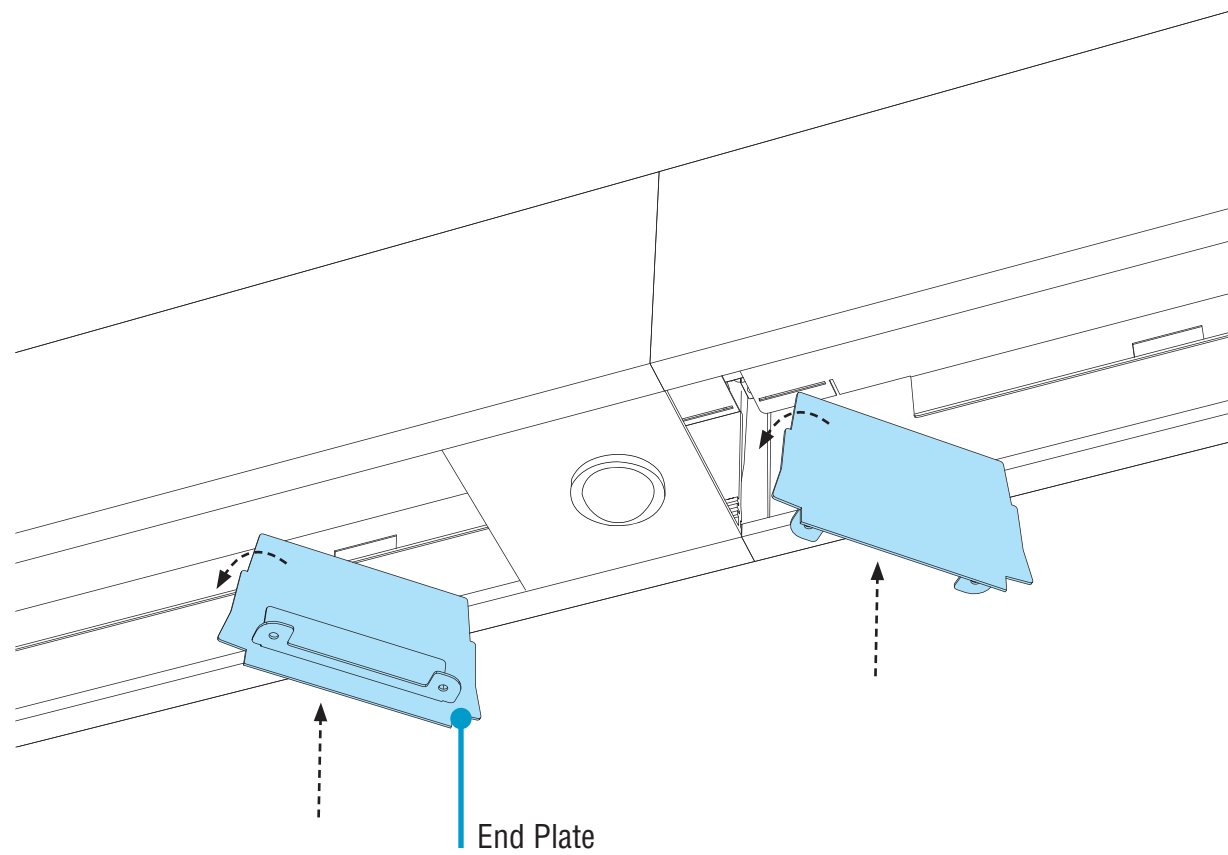
- Replace sensor back into luminaire by gently pushing it up until it snaps in place.

CONTINUED

H04 Sensor Housing Addendum Installation Instructions

Step 2 - Reinstall Sensor at Luminaire Joint; For All Mounting Options

C. Replace End Plates



- Rotate end plates and insert into luminaire.

- Slide end plates toward sensor until they snap in place.
- Once end plates are in place, refer back to Luminaire Installation Instructions: Closing Luminaires.