

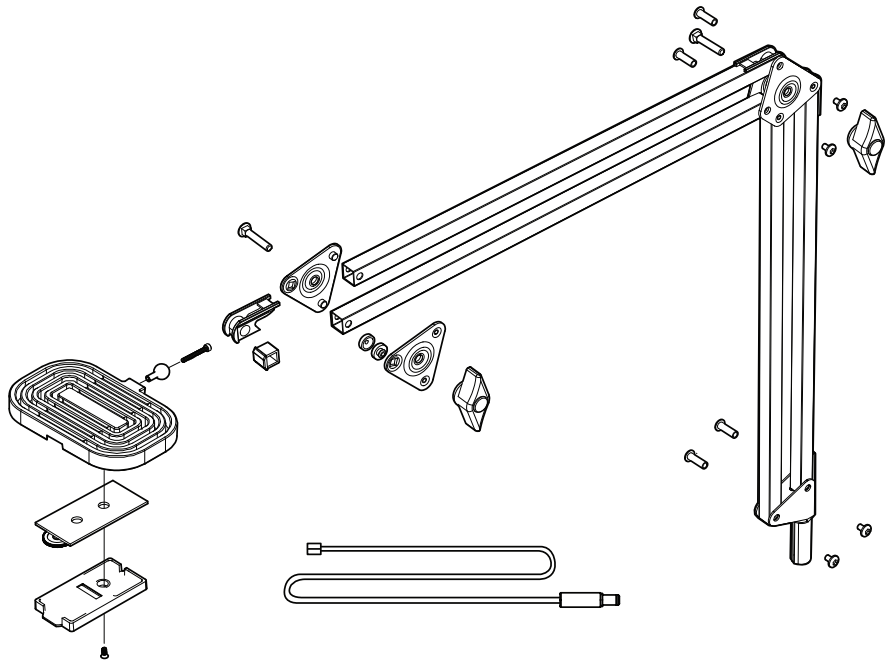
Reach Desk Lamp Recycling

Disassembly Instructions

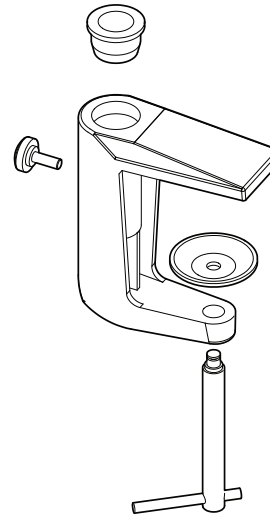
Reach breaks down easily for recycling at the end of usable life.

FINELITE®
Better Lighting

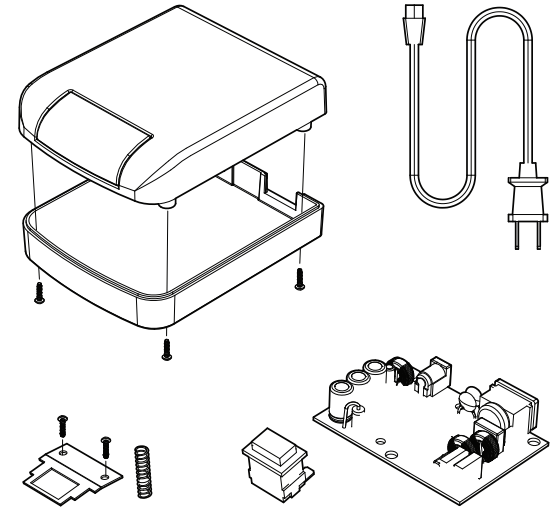
Reach Desk Lamp


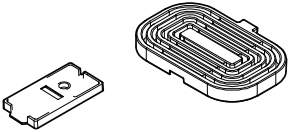

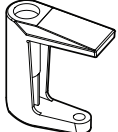



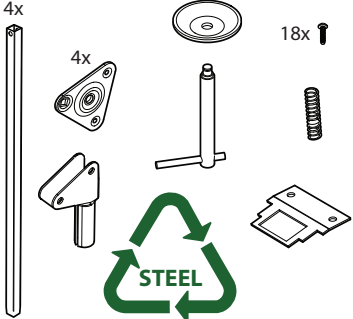

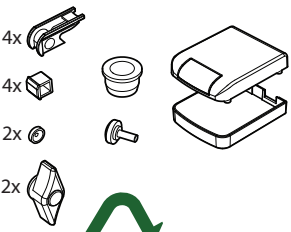

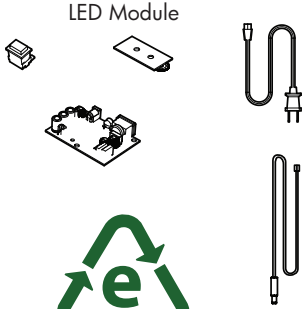


Clamp



Power Supply

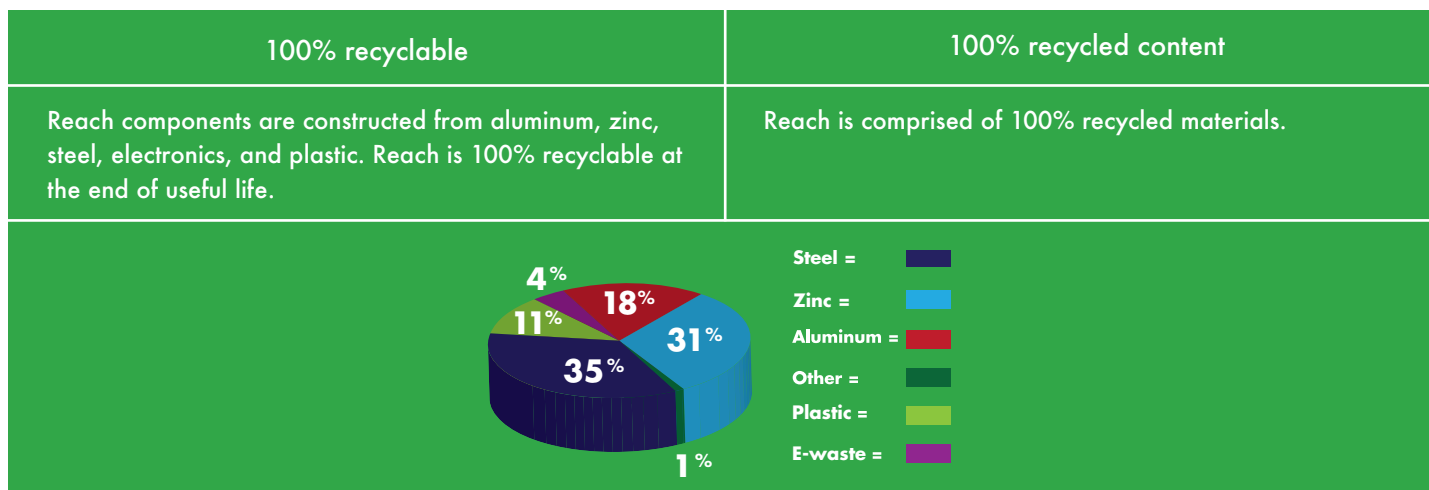


 	 	 	 	 	 
---	---	---	--	---	---

© 2020 FINELITE, INC. ALL RIGHTS RESERVED. CPG0038_V2_07/20

Reach Environmental Product Summary

FINELITE[®]
Better Lighting



LEED Points - 2009 Rating System Note: No luminaire, individually or collectively, can guarantee a specific number of points for LEED certification.

	New Construction & Major Renovation	Commercial Interiors	Existing Buildings Operations & Maintenance	
Energy & Atmosphere				
Optimize Energy Performance	Prerequisite 1-3 Credit 1 Up to 19 points	Prerequisite 1-3 Credit 1.1 Up to 5 points	Prerequisite 1-3 Credit 1, Up to 18 points	The Integrated Office Lighting System (IOLS) attains 50% lighting power savings by using efficient LED task lighting, proper vertical illumination, and a low ambient lighting design.
Indoor Environmental Quality				
Controllability of Systems - Lighting	Prerequisite 1-3 Credit 6.1 1 point	Prerequisite 1-2 Credit 6.1 1 point	Prerequisite 1-3 Credit 2.2 1 point	Curve desk lamps contribute to this credit by allowing occupants to control their task lighting.
Innovation				
Path 2 Exemplary Performance	Credit 1 1-3 points	Credit 1 1-3 points	Credit 1 1-3 points	

To learn more about LEED and potential Materials and Resources credits, visit www.finelite.com.

Due to continuing improvements, Finelite reserves the right to change specifications without notice. Please visit www.finelite.com for most current data.
Finelite, Inc. • 30500 Whipple Road • Union City, CA 94587-1530 • 510 / 441-1100 • Fax: 510 / 441-1510 • www.finelite.com