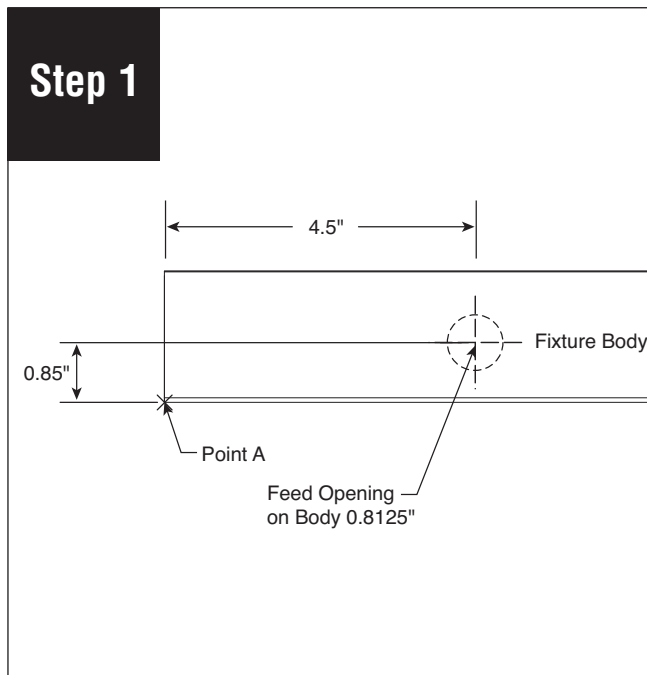
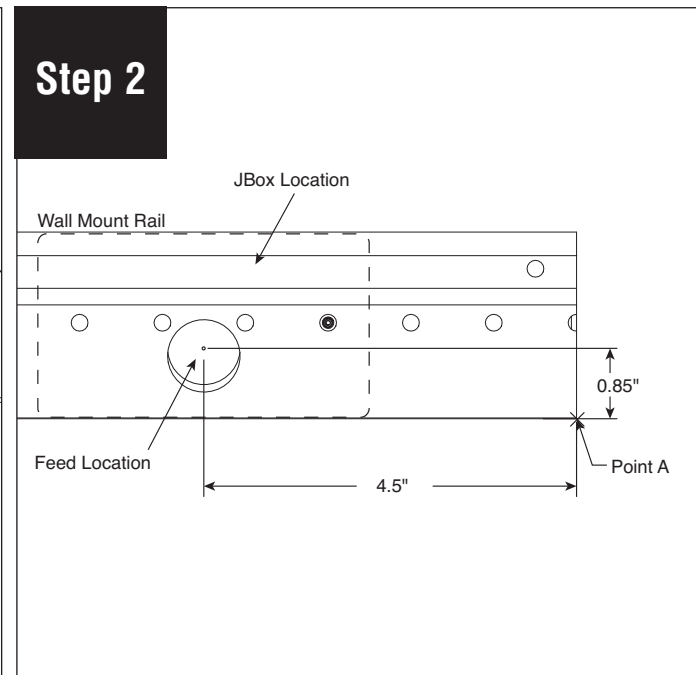


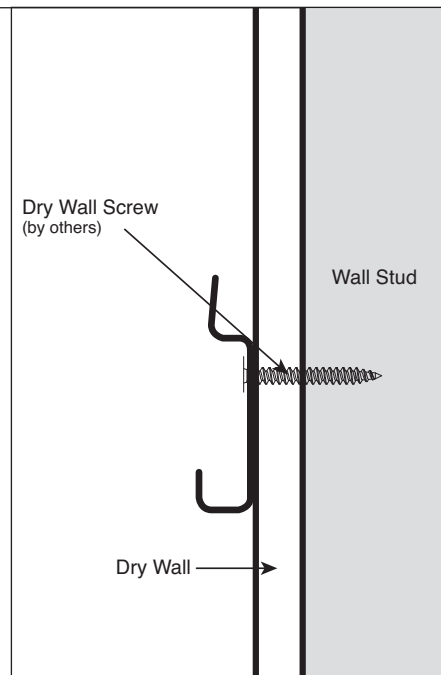
Series 18 LED Wall Mount Starter Installation Instructions



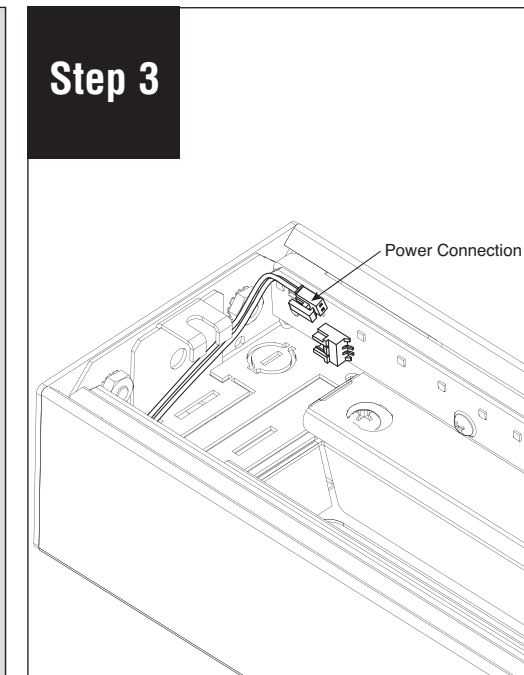
Position starter fixture on wall in desired location and mark on the wall Point A.



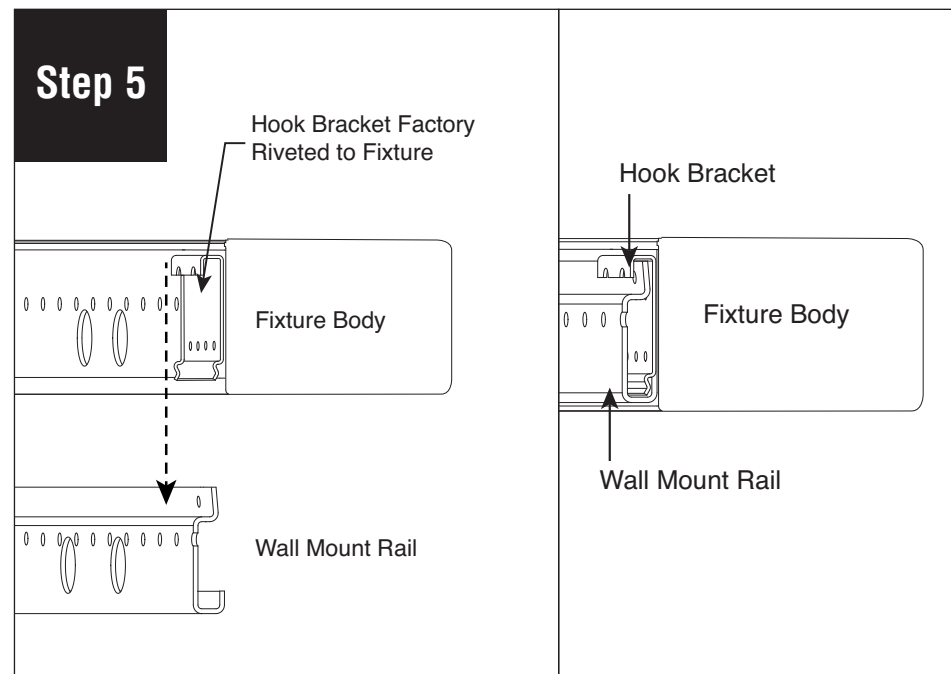
Determine feed location by measuring a horizontal line 4.5" from Point A toward center of fixture, then 0.85" up from the luminaire bottom. Mark this spot for the feed. Install JBox into wall at the wire feed location. Mount wall mount rail to wall with dry wall screws (by others) into the wall studs. Level the rail after the first screw and secure with the second screw.



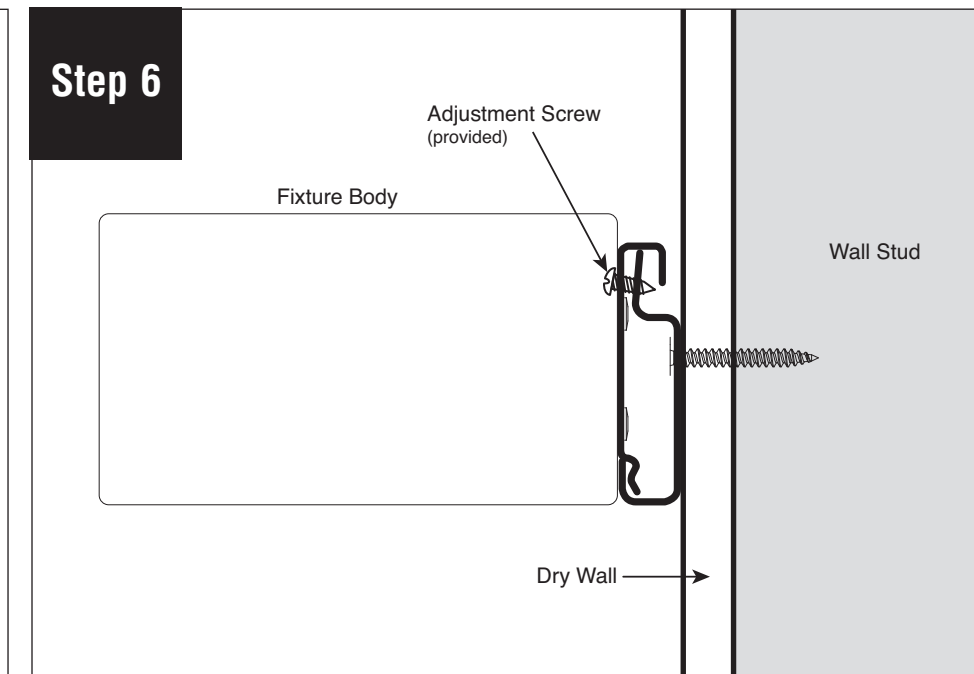
Unplug the power connection to the LED board closest to the wall.



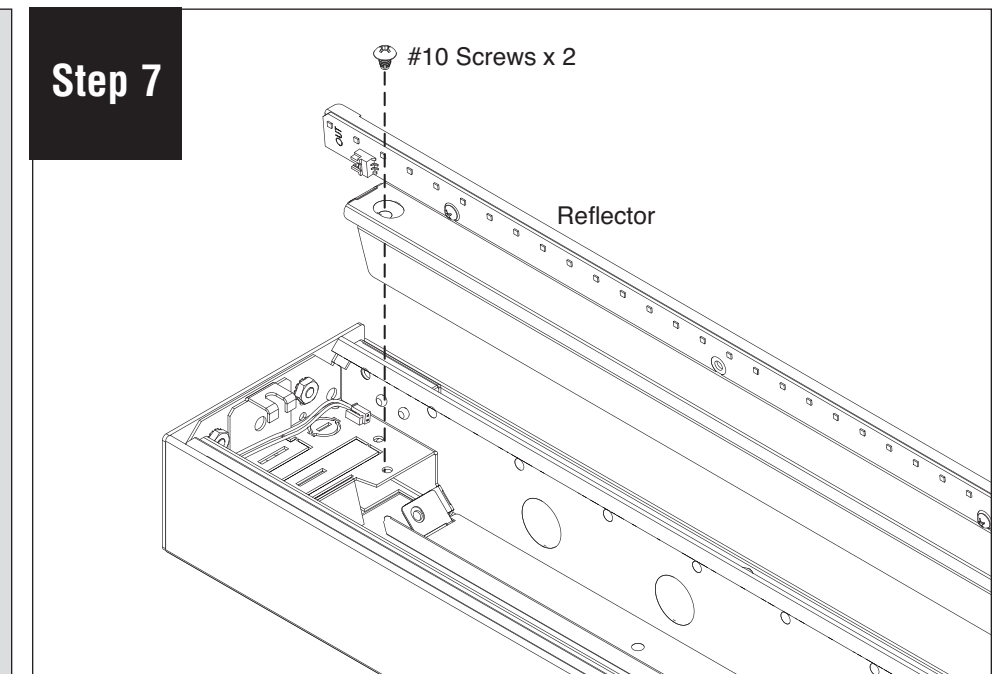
Remove the reflector with LED board nearest the wall by removing the #10 screws at both end of the fixture. Holding the fixture to the wall and connect power wires.



Feed wires into the fixture. Holding fixture parallel to wall and slightly above mounting bracket, slide fixture straight down to engage hooks on top and bottom of mounting bracket. Align end of fixture with end of bracket.



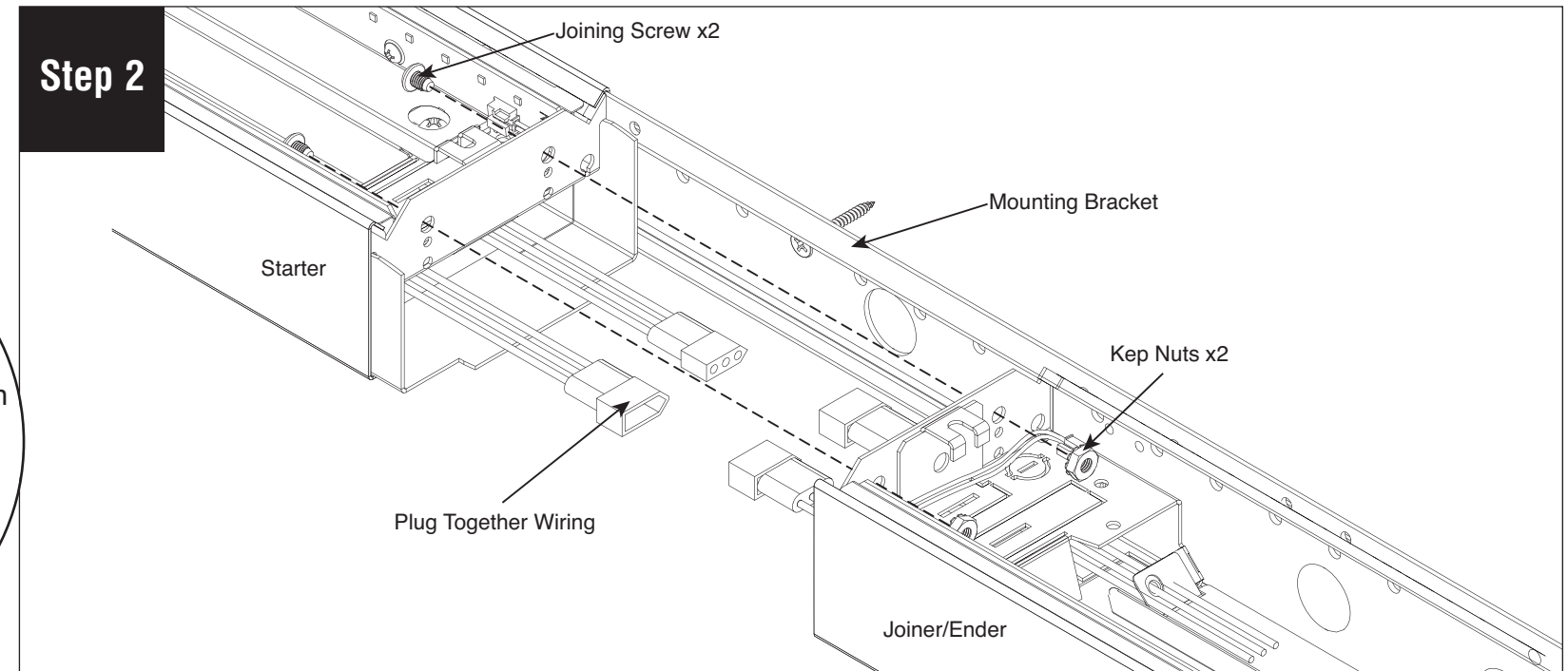
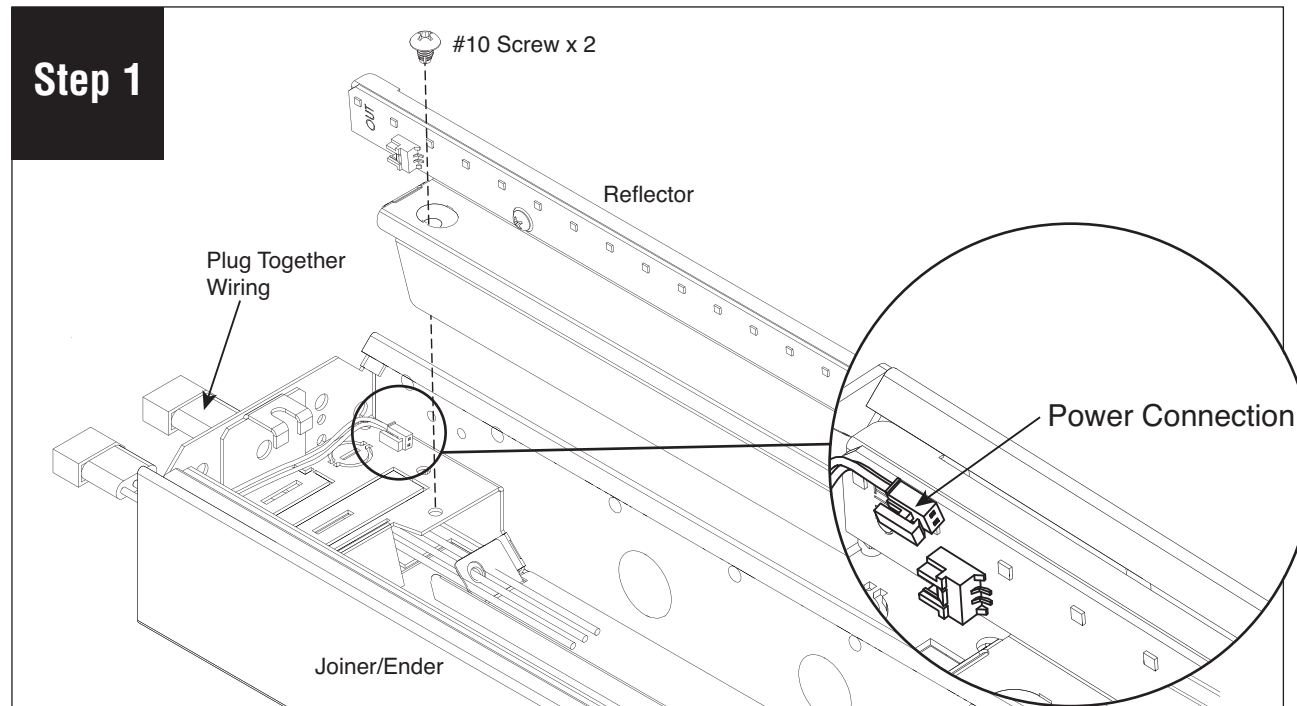
Check to ensure top and bottom of hook bracket are engaged in mounting bracket. Insert adjustment screw (provided) at each hook bracket location and thread into mounting rail. Tighten/release to raise or lower fixture.



Re-install the reflector and power connector. Turn fixture power on.

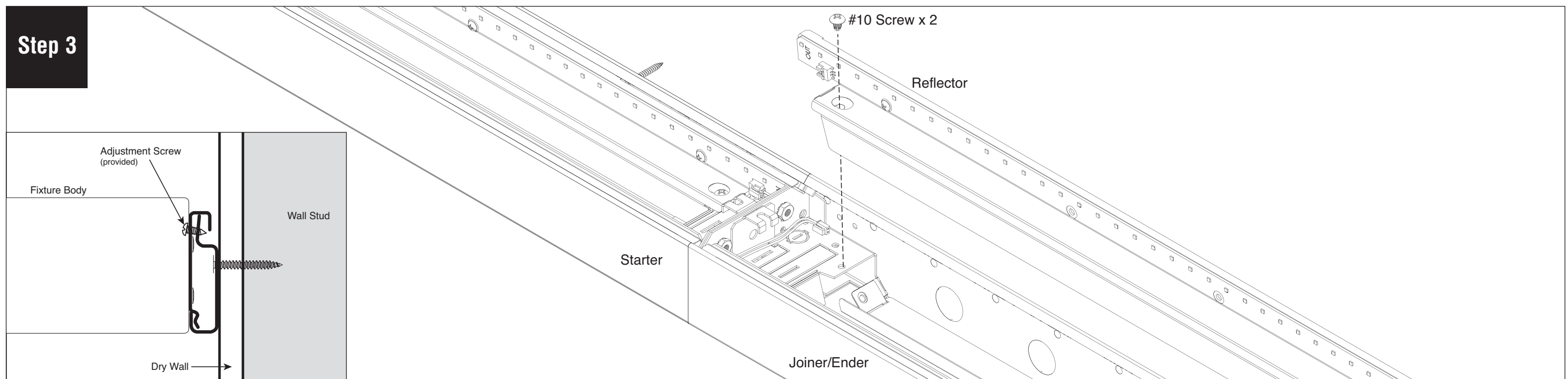
Note: All power connections to be installed to local/national codes by a Certified Electrician.

Series 18 LED Wall Mount Joiner Installation Instructions



Unplug power connection to the LED board closest to the wall. Remove reflector/LED board closest to the wall by removing the shown #10 screws both ends.

Connect plug together wiring. Holding fixture parallel to wall and slightly above mounting bracket, slide fixture straight down to engage hooks on top and bottom of mounting bracket. Join the fixtures together using the joining screws and keps provided. Be cautious not to damage wiring.



Check to ensure top and bottom of hook bracket are engaged in mounting bracket. Insert adjustment screw (provided) at each hook bracket location and thread into mounting rail. Tighten/release to raise or lower fixture. Replace the reflector and reconnect LED board power connector. Turn on power to fixture.