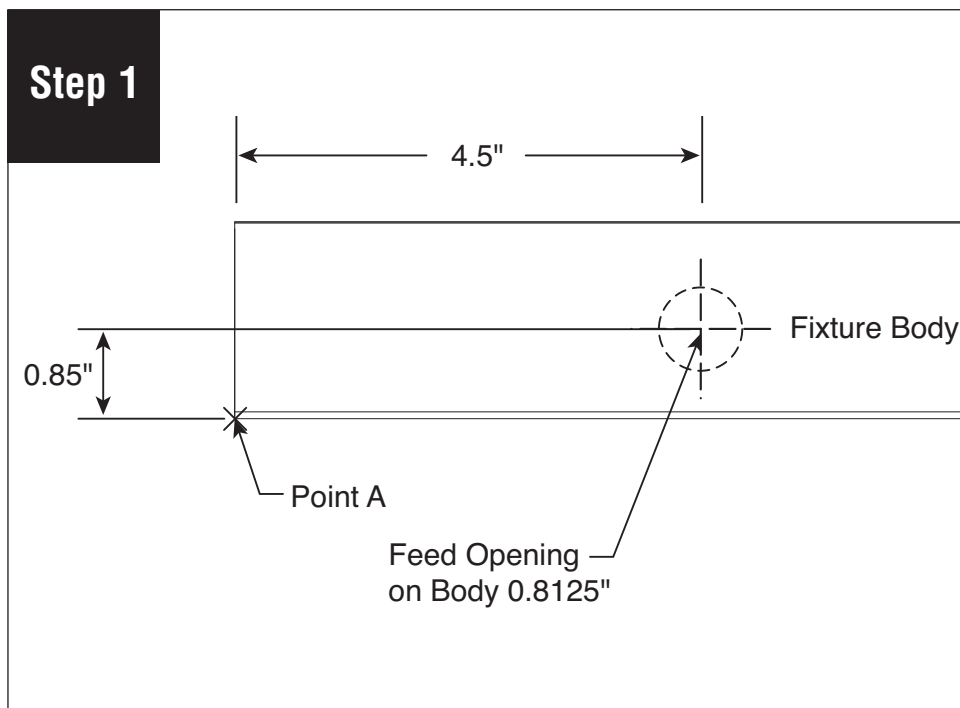
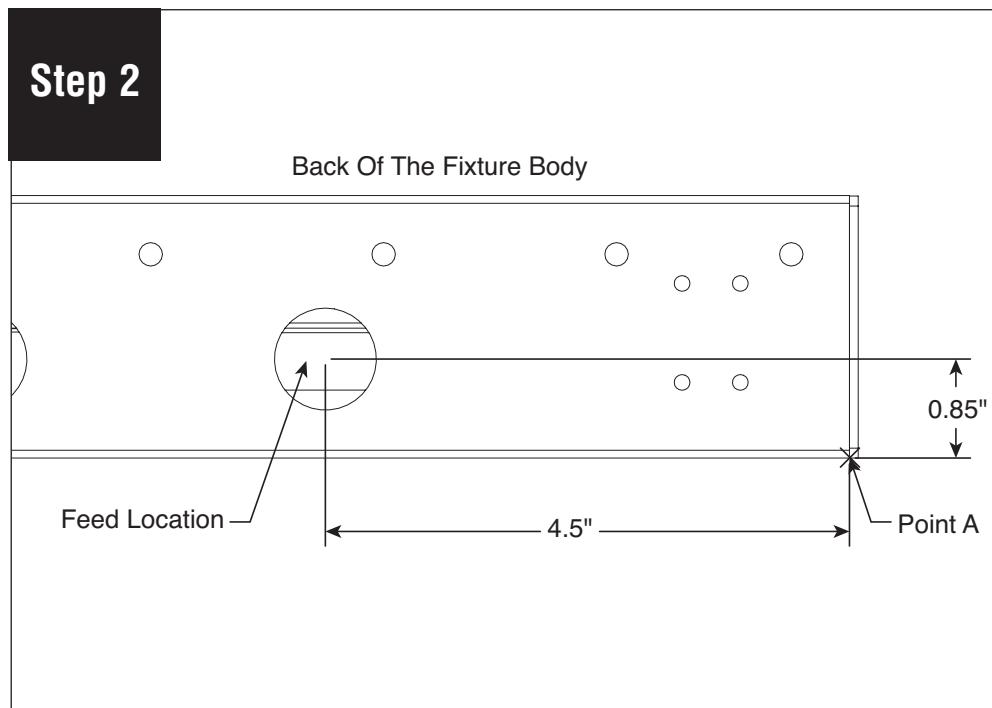


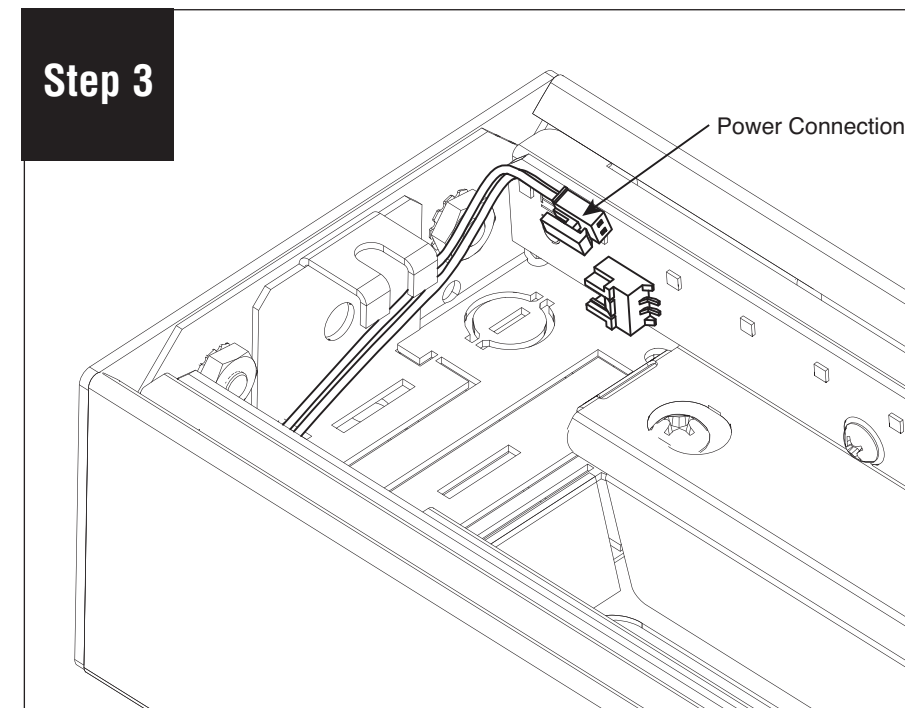
# Series 18 LED Surface Mount Starter Installation Instructions



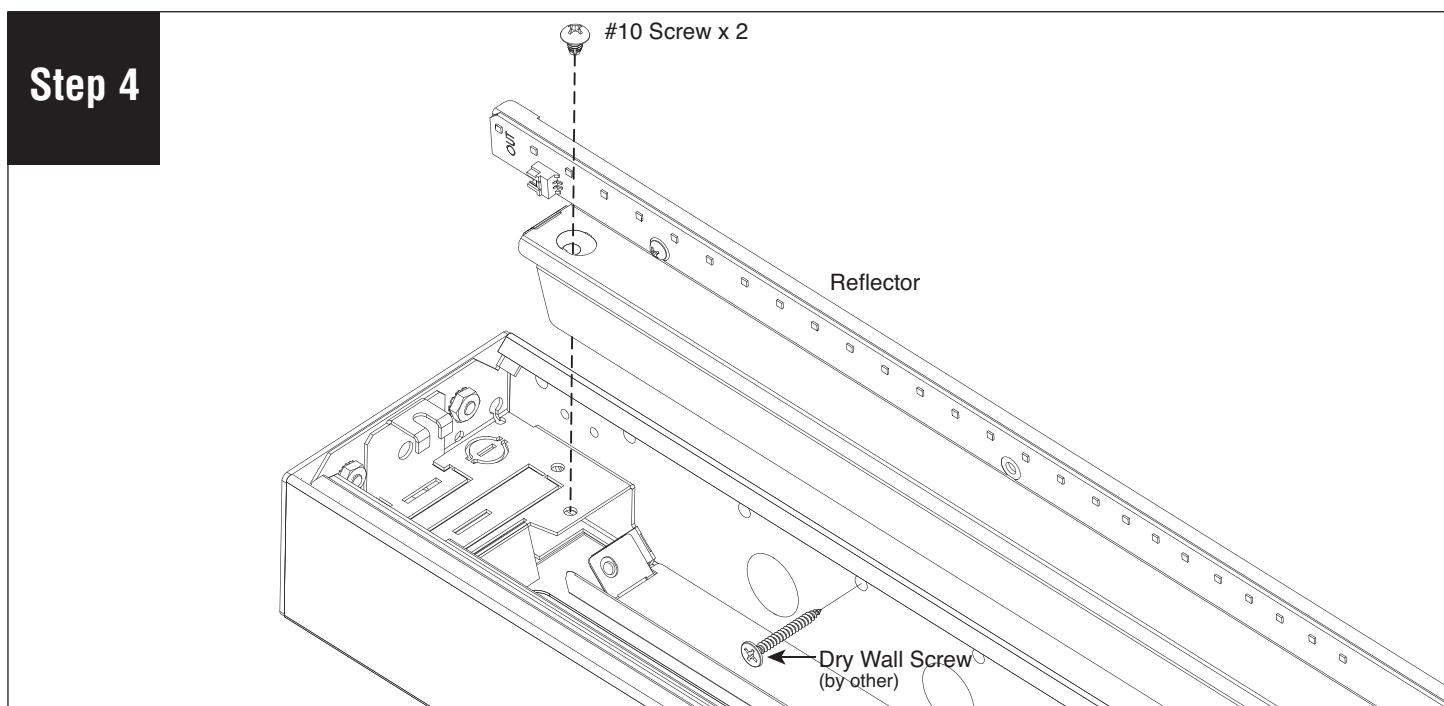
Position starter fixture on wall in desired location and mark on the wall Point A.



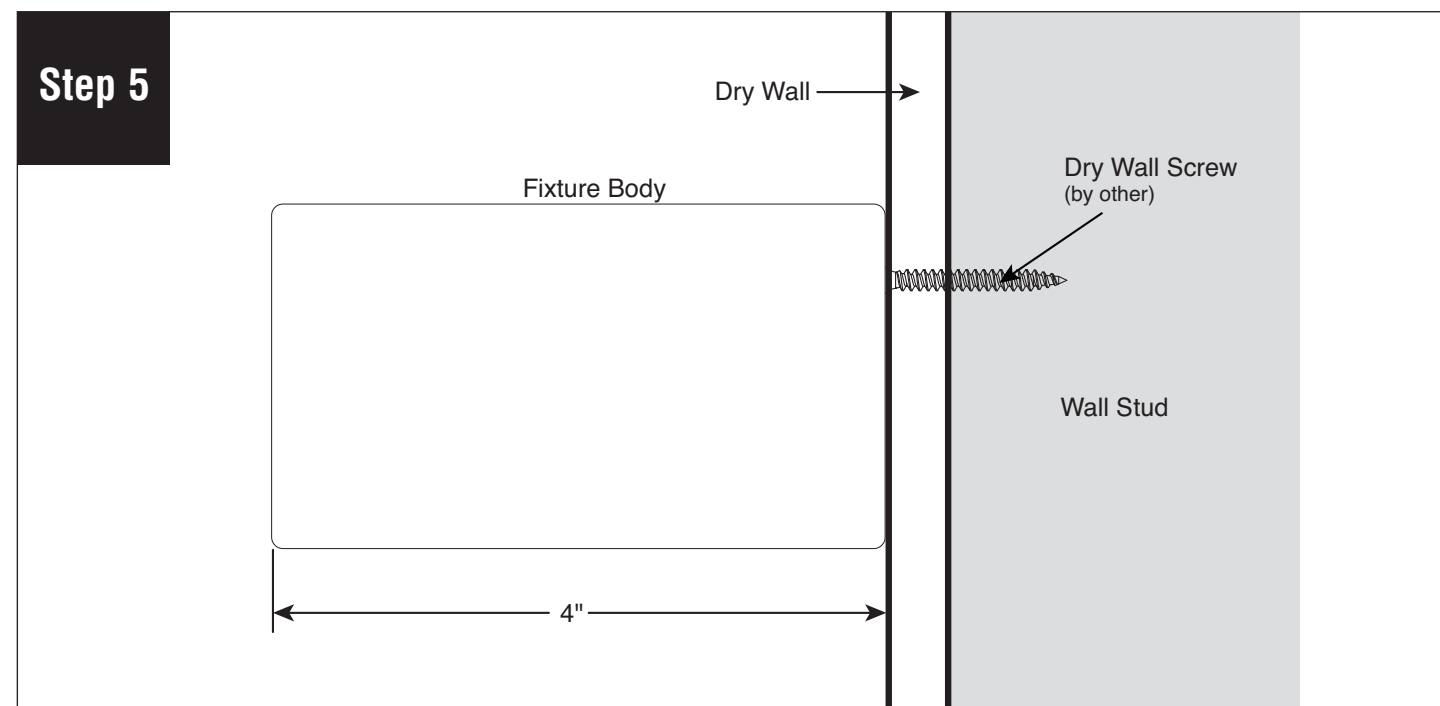
Determine feed location by measuring a horizontal line 4.5" from Point A toward center of fixture, then .85" up from the luminaire bottom. Mark this spot for the feed. Locate wall studs or install suitable backing in wall. Install JBox into wall at the wire feed location.



Unplug the power connection to the LED board closest to the wall.

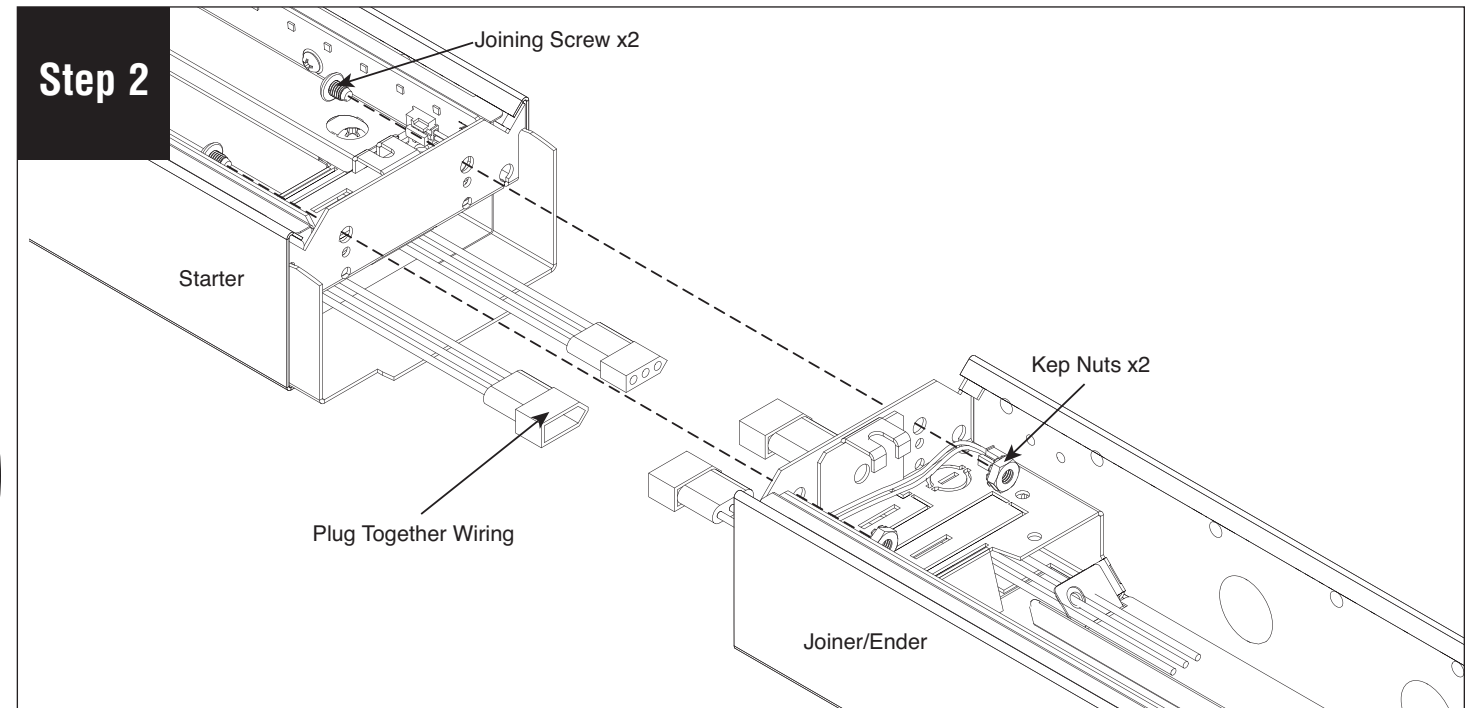
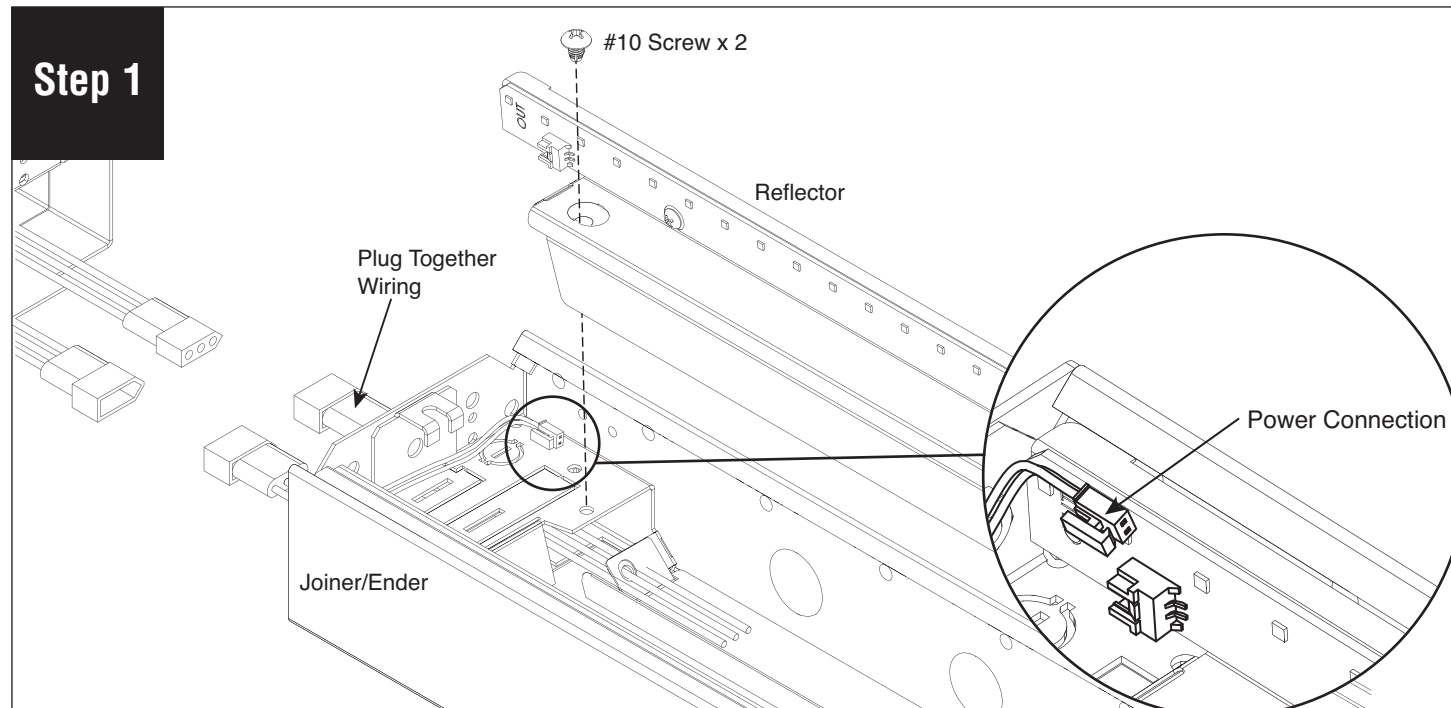


Remove the reflector with LED board nearest the wall by removing the #10 screws show (one on each end of the fixture). Holding the fixture to the wall, connect power wires and feeds wires into the fixture.



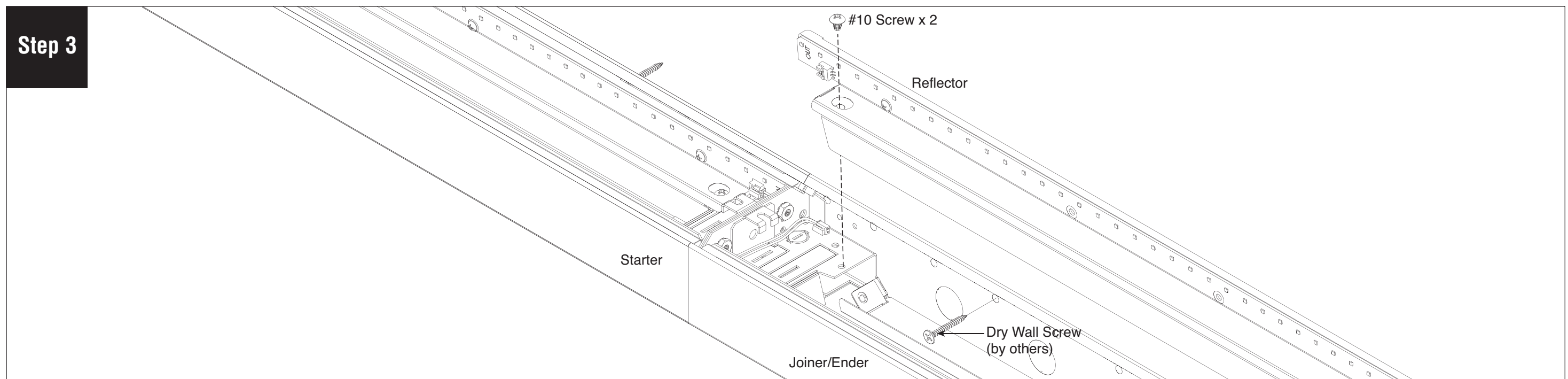
Mount fixture with dry wall/wood screws (provided by others) through screw holes and into the wall studs. Level the fixture after the first screw and secure with the second screw. Re-install the reflector and power connector to LED board. Turn fixture power on.

# Series 18 LED Surface Mount Joiner Installation Instructions



Unplug power connection to the LED board closest to the wall. Remove reflector/LED board closest to the wall by removing the shown #10 screws both ends.

Connect plug together wiring. Join the fixtures together using the joining screws and kep nuts provided. Be cautious not to damage wiring.



Mount Starter fixture with dry wall/wood screws (by others) through screw holes and into the wall studs. Level the fixture after the first screw and secure with the second screw. Replace the reflector and reconnect power connector to LED board. Turn on power to fixture.