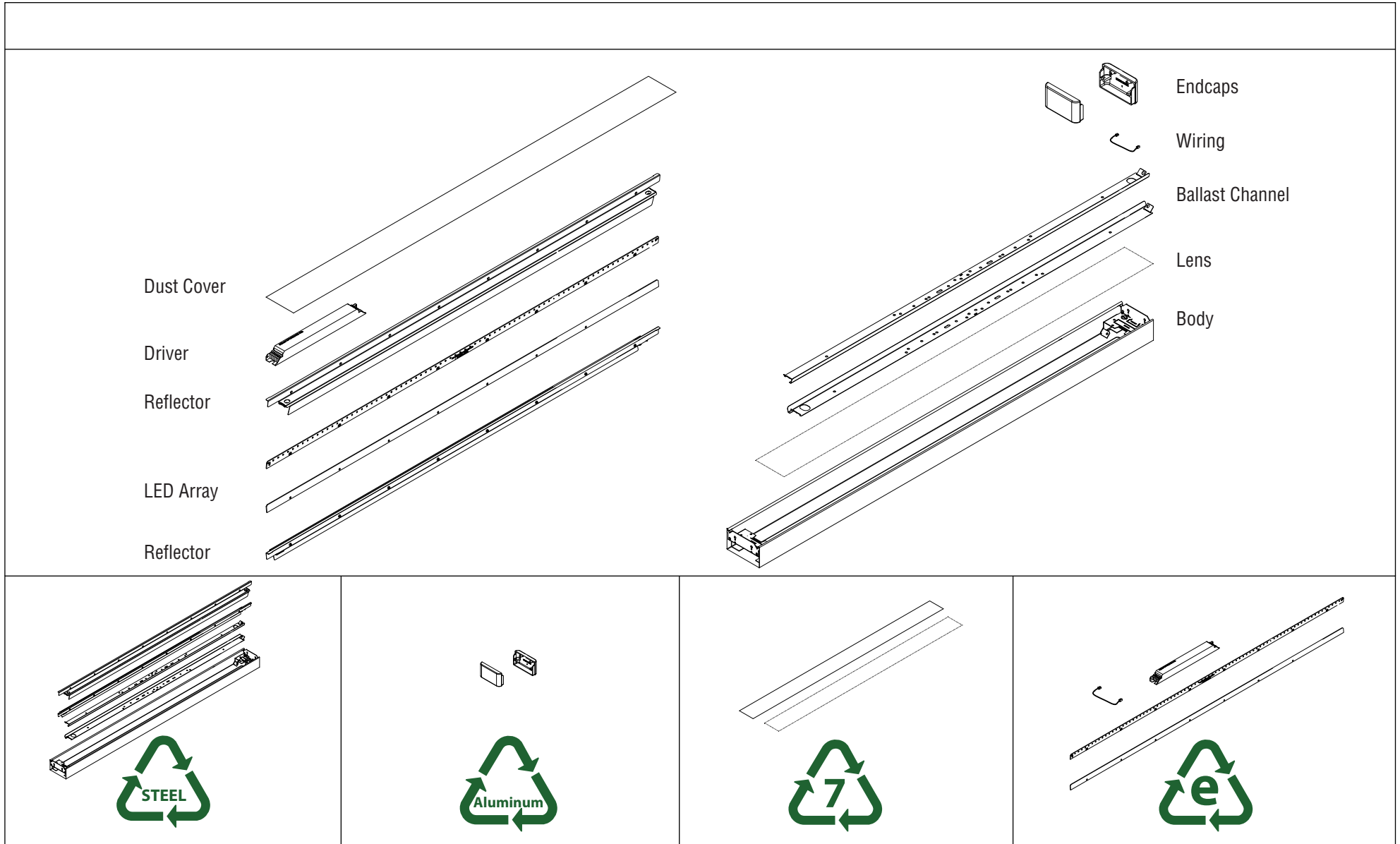


# S18 LED-2-Engine (2E) Recycling

## Disassembly Instructions

**FINELITE**<sup>®</sup>  
Better Lighting

S18 LED 2E breaks down easily for recycling at the end of usable life.



\* Recycling information typical for all luminaire sizes. Contact factory for more information.

Due to continuing improvements, Finelite reserves the right to change specifications without notice. Please visit [www.finelite.com](http://www.finelite.com) for most current data.

Finelite, Inc. • 30500 Whipple Road • Union City, CA 94587-1530 • 510 / 441-1100 • Fax: 510 / 441-1510 • [www.finelite.com](http://www.finelite.com)

A brand of  **legrand**<sup>®</sup>

# S18 LED 2-Engine (2E) Environmental Product Summary

S18 LED 2E data shown

