



Series 18 LED

Indirect/Direct Luminaires

Project: CarGurus; Location: Cambridge, MA; Architect: Spagnolo Gisness & Associates; Photographer: © Robert Benson Photography



FINELITE
Better Lighting

Series 18 LED

Indirect/Direct Luminaires

At just 4" by 2-1/4", Series 18 LED 2-Engine integrates exceptionally well into low-ceiling environments.

This product is enrolled in the International Living Future Institute (ILFI) Declare 2.0 Program and is third-party verified with options achieving Red List Approved and Declared status.



Features

Tailored Output

Optimizing lighting levels to accommodate architectural design elements and code requirements.

Static White Output Options:

- Standard (S)
- Boosted Standard (B)
- High (H)
- Very High (V)

Tunable White Output Options:

- Boosted Standard (B)
- Very High (V)

Features

Tailored Color

Tune white light and intensity
to the preferences of the
people in the space.



- Static White light options at 3000K, 3500K and 4000K CCT
- Tunable White option for two-source tunable white light between 2700K and 6500K CCT
- 80+ and 90+ CRI options available

Features

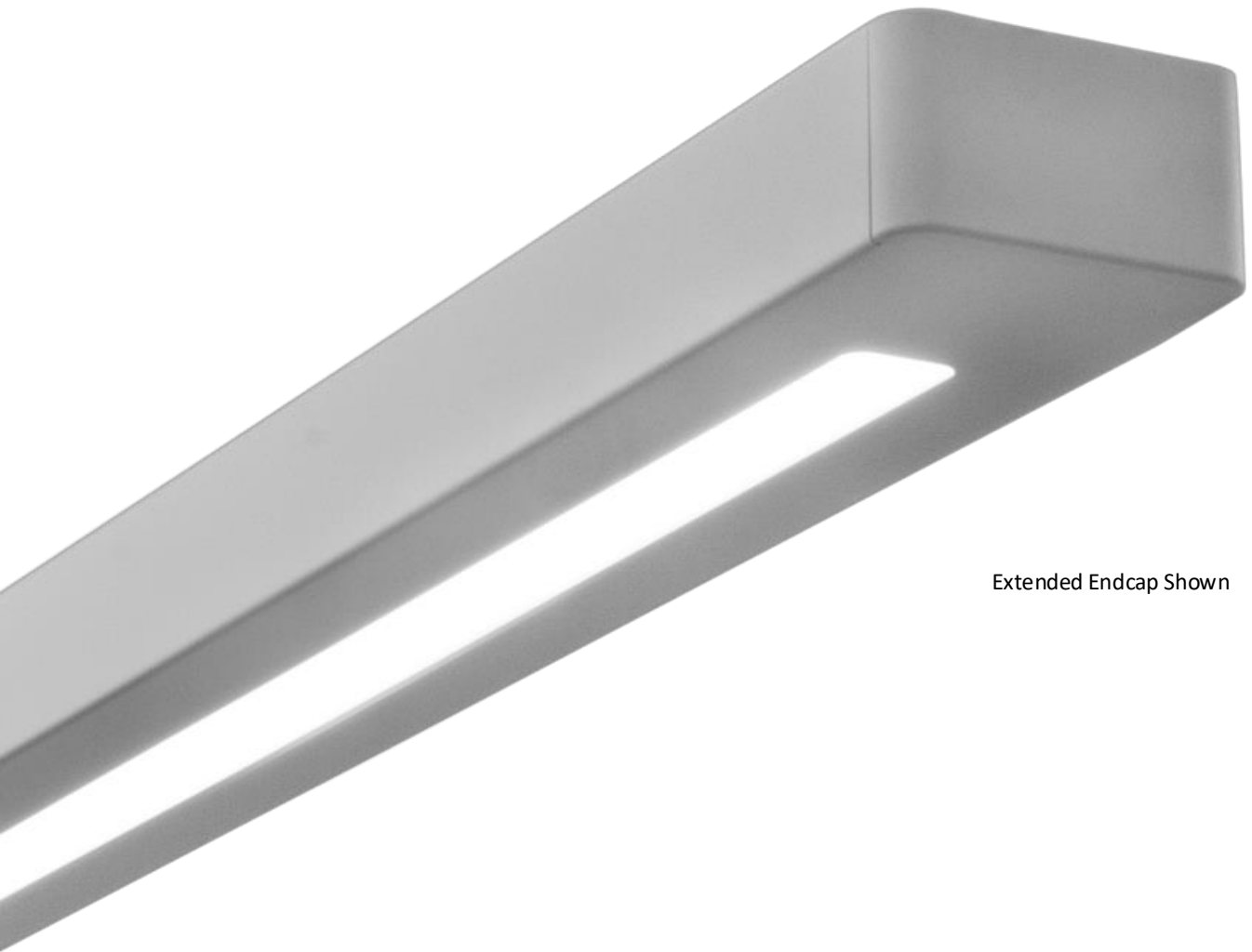
Tailored Control

Dim and tune the lighting to fit user preference.

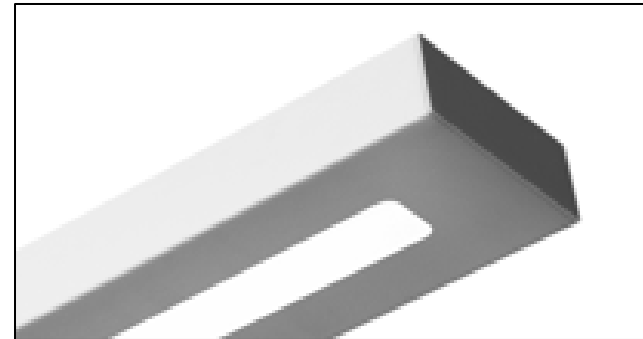
- Dimming from 100% to 10%, standard; 1% available
- Industry-leading pre-qualified drivers and controls options available
- Integrated or networked daylight and occupancy sensors options available
- Simplified white light color tuning design

Series 18 LED

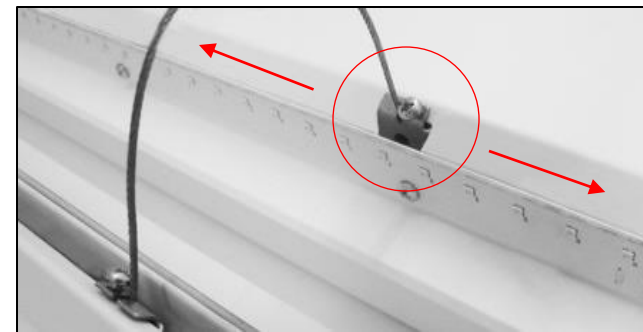
Indirect/Direct Luminaires



Extended Endcap Shown



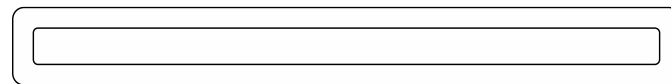
Flat end cap (FE) standard.
Extended endcap (EE)
Options available.



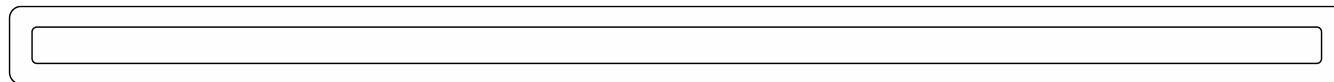
Optional Flexible Mounting
suspension points provide extra
flexibility on the job site.

DCO Shielding

Continuous shielding is standard and has a maximum length of 8-foot. The visible diffuse area is 7'9" centered on an 8-foot housing. Optional segmented shielding is available.



4' Standard



8' Standard Continuous Shielding (CS) LED Only

Performance

Series 18 LED 2E Open

Very High Output – 4' Luminaire

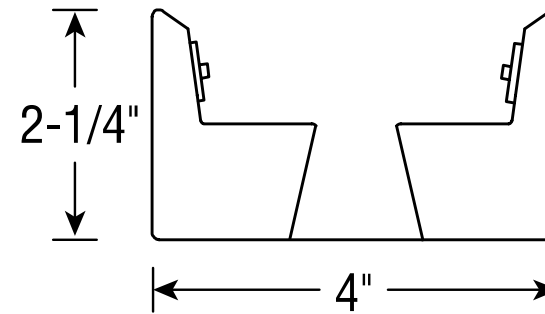
Efficacy: 91 lumens per watt

Total Luminaire Output: 4416 lumens (1104 lumens/foot)

38.1 watts (9.3 watts/foot)

CCT: 3500K

ITL LM79 Report 85168



Total Light Output, 3500K, 80 CRI (Lumens)			
S*	B*	H*	V**
1808	2273	3435	4416

S*	B*	H*	V**
1808	2273	3435	4416

Power, 3500K, 80 CRI (Watts/Foot)			
S*	B*	H*	V**
3.6	4.6	7.1	9.3

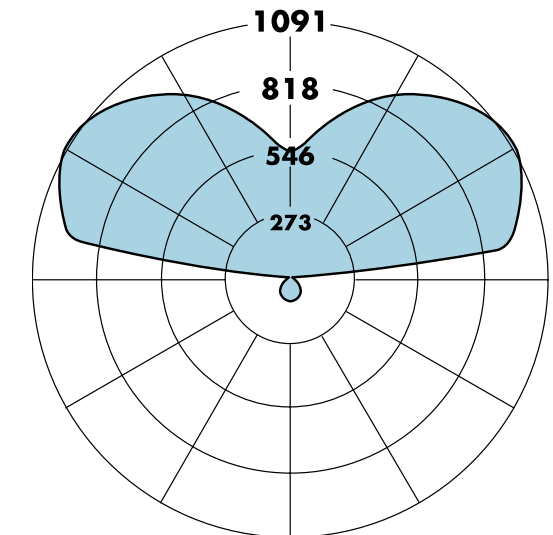
S*	B*	H*	V**
3.6	4.6	7.1	9.3

Light Output, 3500K, 80 CRI (Lumens/Foot)			
S*	B*	H*	V**
452	568	859	1104

S*	B*	H*	V**
452	568	859	1104

Efficacy, 3500K, 80 CRI (Lumens/Watt)			
S*	B*	H*	V**
124	123	120	119

S*	B*	H*	V**
124	123	120	119



S – Standard Output, B – Boosted Standard Output, H – High Output, V – Very High Output

* Family Correlation based on 4' luminaire 3500K Very High Output (V) test – 120V

** Correlation based on ITL report: 85168

Notes

– For Tunable White data please see Tunable White technical sheets.

The Finelite Difference



10-Year performance-based warranty



10-working-day shipping on standard orders



Tailored Lighting available



Buy American Act Compliance