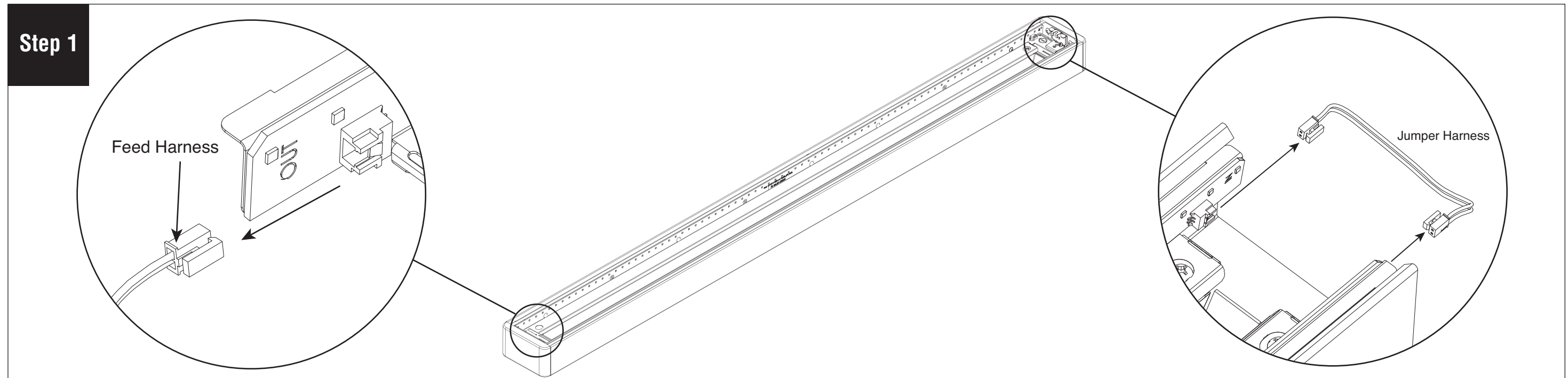
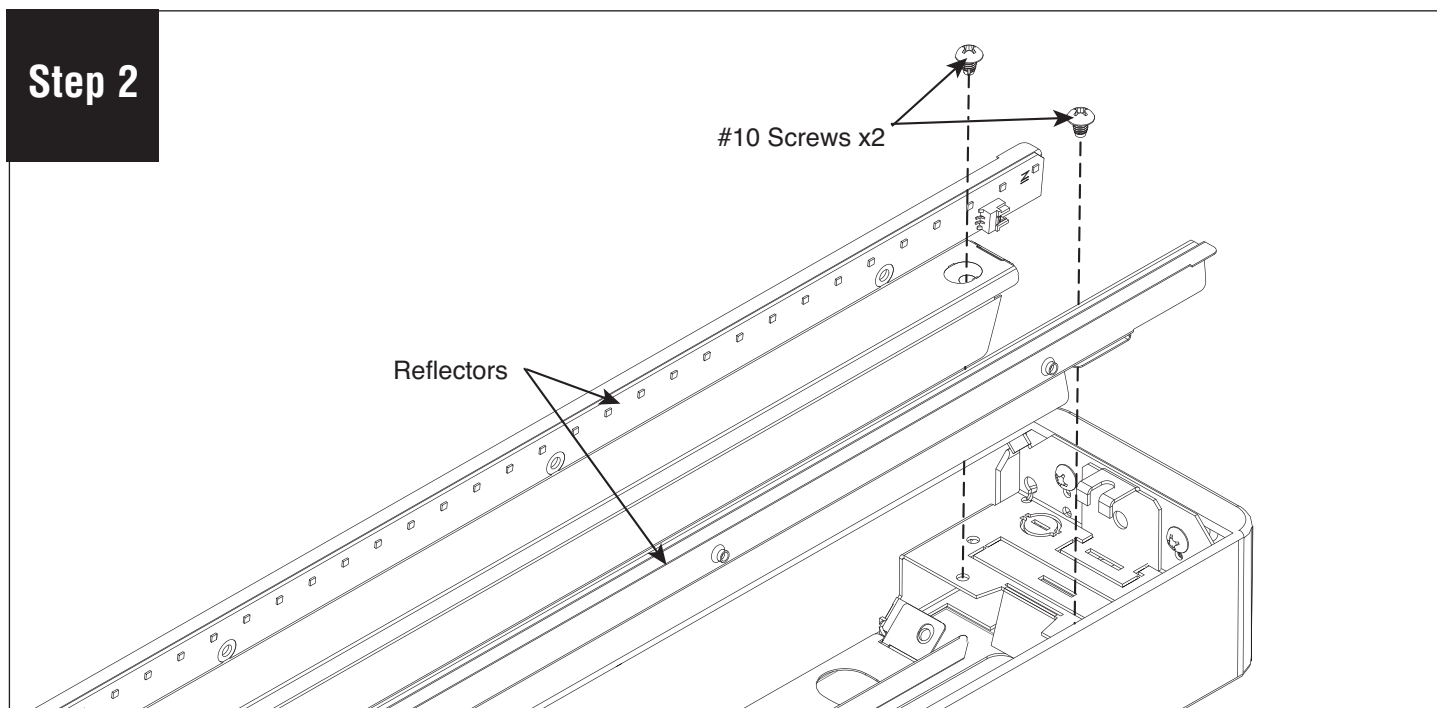


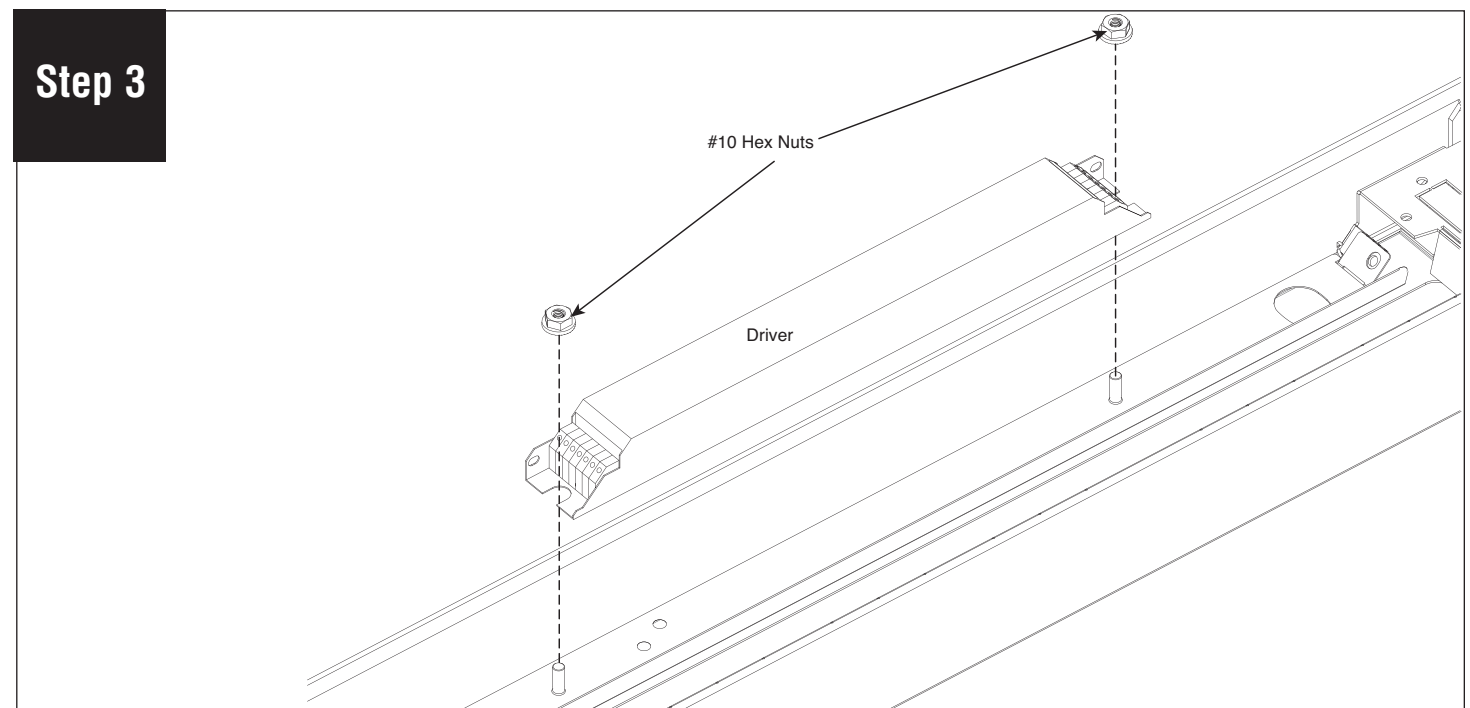
Series 18 LED Driver Replacement Installation Instructions



Disconnect feed harness and jumper harness from LED light engine.



Remove (4) #10 screws that hold the reflectors into the fixture, take reflectors with the LED light engines out of the fixture.



Remove (2) #10 Hex Nuts that secure the LED driver(s) and replace with new driver(s). Reverse steps to reassemble fixture.