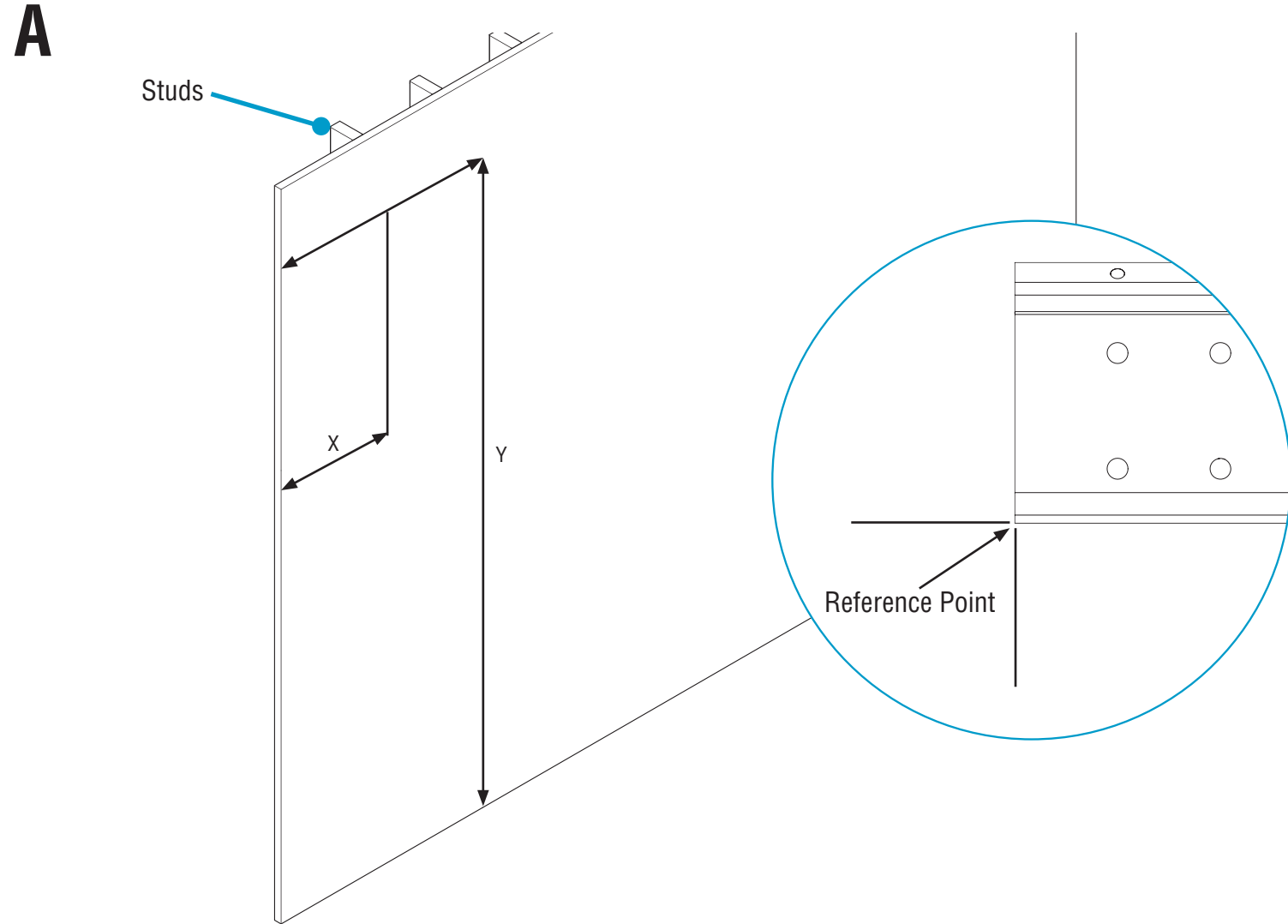


# HP-WS Perimeter Slot T-Bar Pocket Endcap Installation Instructions

(To be used in addition to T-Bar Installation Instructions)

**Rail Placement** (at beginning of installation)

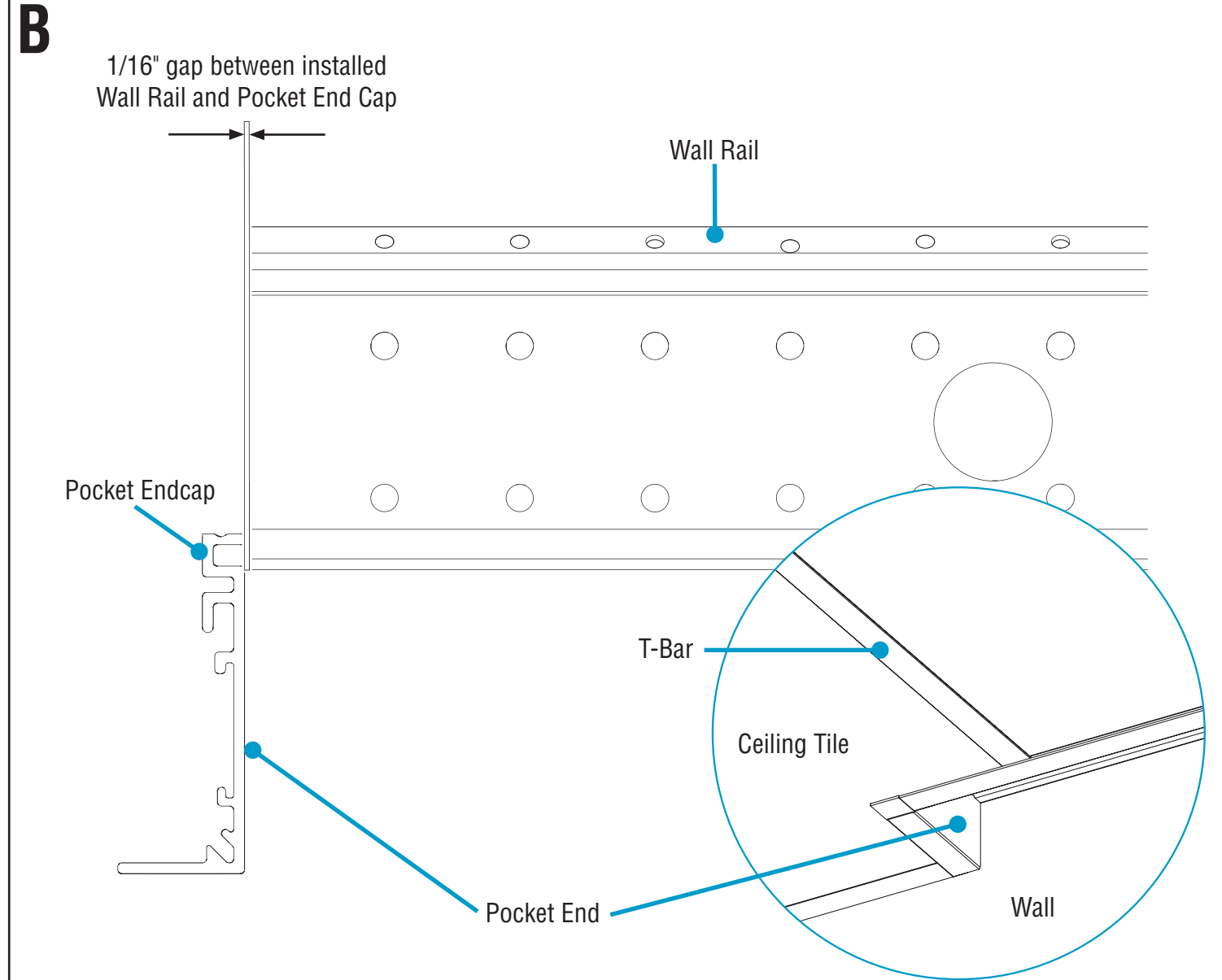


For Wall Rail placement, use the table to help you find where the height of the Wall Rail will be mounted. Mark wall for "Y" dimension, make sure lines are level.

To find the "X" dimension for mounting the Wall Rail, factor 1/16" from where the pocket end will be once mounted. That "X" and "Y" from Step A will give you your reference point.

Height Configuration	Y = Height of Bottom of the Wall Rail
2"	Ceiling Height A.F.F. + 2-1/8"
4"	Ceiling Height A.F.F. + 4-1/8"
6"	Ceiling Height A.F.F. + 6-1/8"

Tolerances on dimensions are ± 1/16"

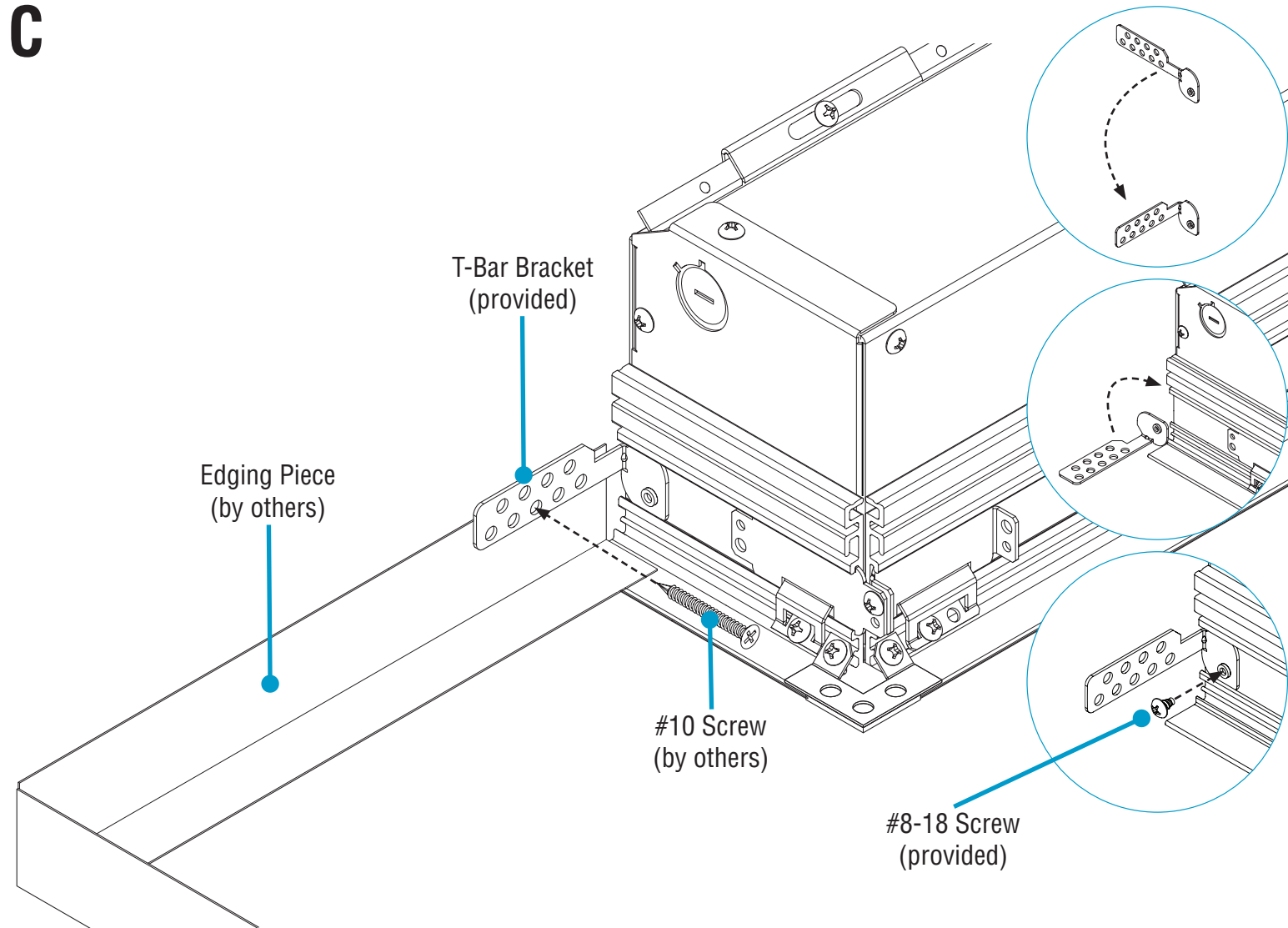


# HP-WS Perimeter Slot T-Bar Pocket Endcap Installation Instructions

(To be used in addition to T-Bar Installation Instructions)

**Endcap Support** (during Support to Structure phase)

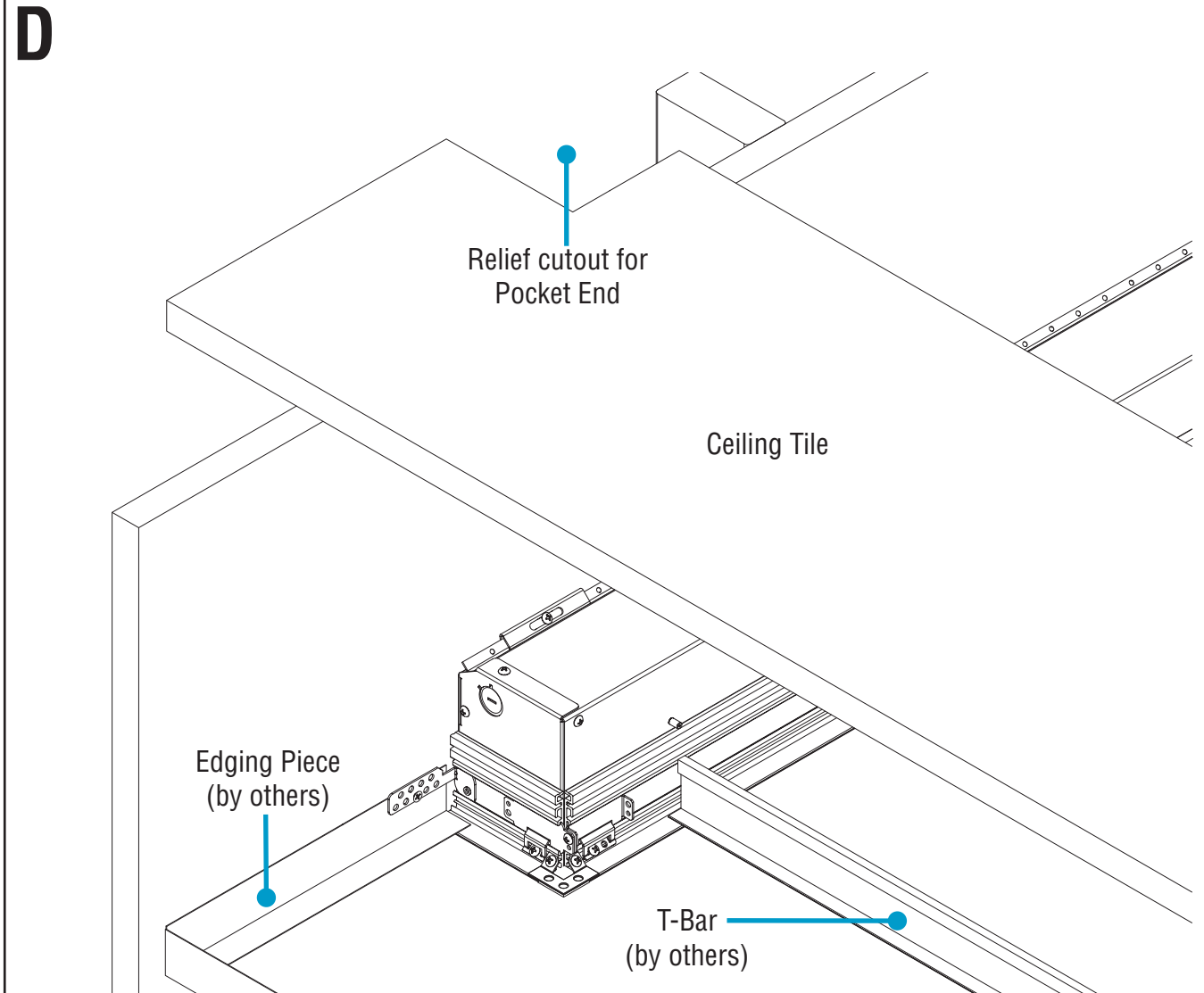
**C**



Locate a T-Bar Bracket (provided). Bend it 90 degrees as shown. Align the T-Bar Bracket to the slot in the extruded portion of the Pocket Endcap. Rotate the T-Bar Bracket 90 degrees so the tab with holes is parallel to the wall. Put in edging piece. Slide T-Bar Bracket towards the wall until contact. Set bracket into place by screwing in a #8-18 screw (provided). Use appropriate #10 screws (by others) to fasten T-Bar Bracket to wall.

**Finishing** (after T-Bar Runners and wall edging pieces are in place)

**D**



Cut appropriate reliefs from ceiling tiles so they fit around fixture.

