

# HP-WS Perimeter Slot Driver Replacement Instructions

## Overview

### NOTES

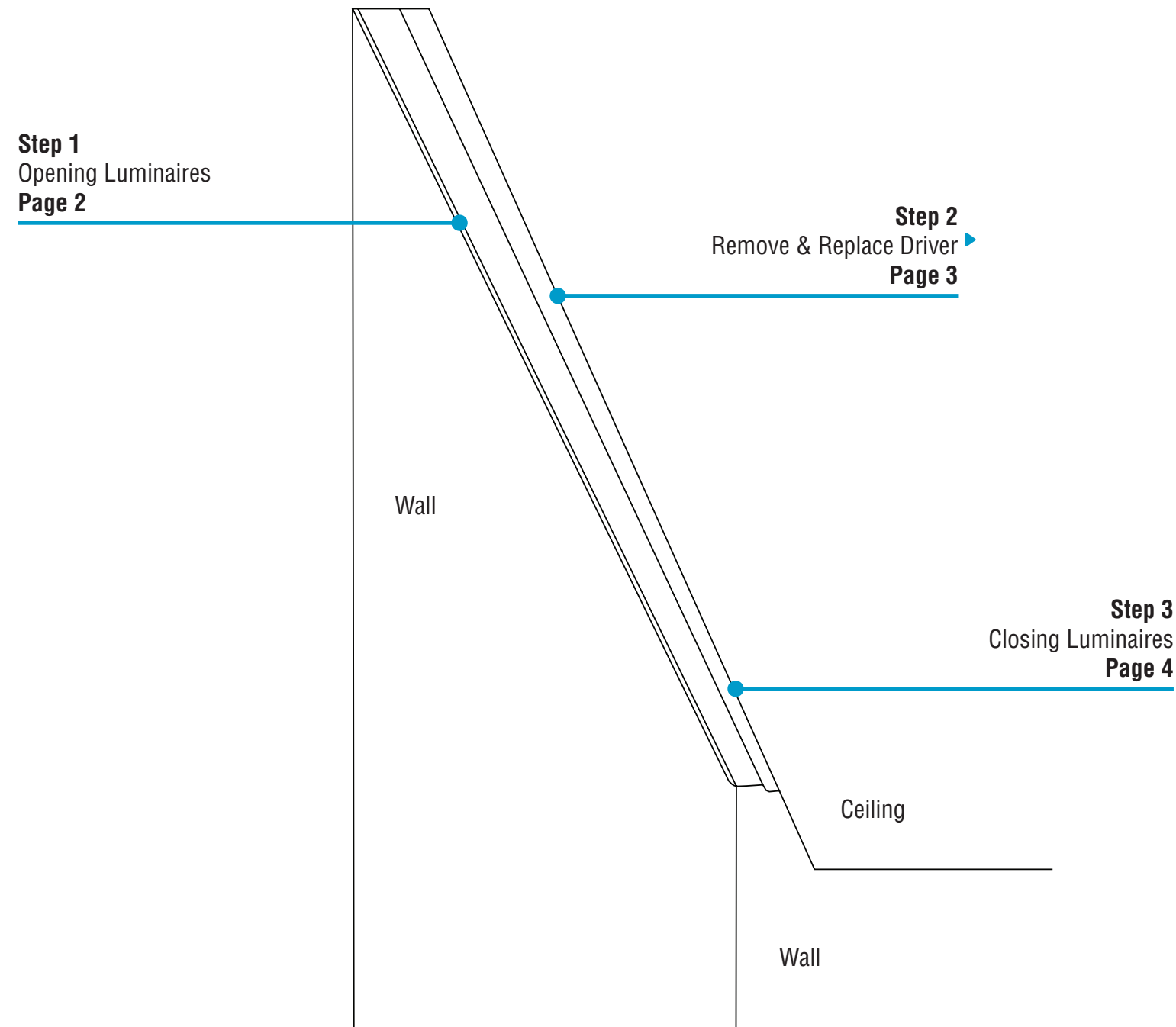
- This Driver Replacement Instructions applies to all Mounting Methods.
- All power connections should be installed according to local/national codes by a Certified Electrician.



HELPFUL  
VIDEO



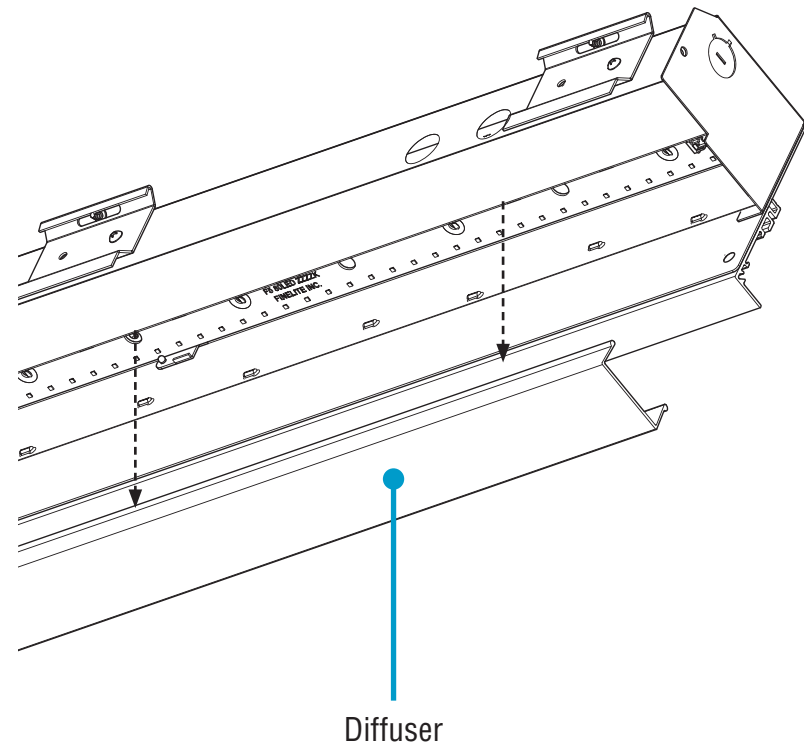
0-10V  
Dimming



# HP-WS Perimeter Slot Driver Replacement Instructions

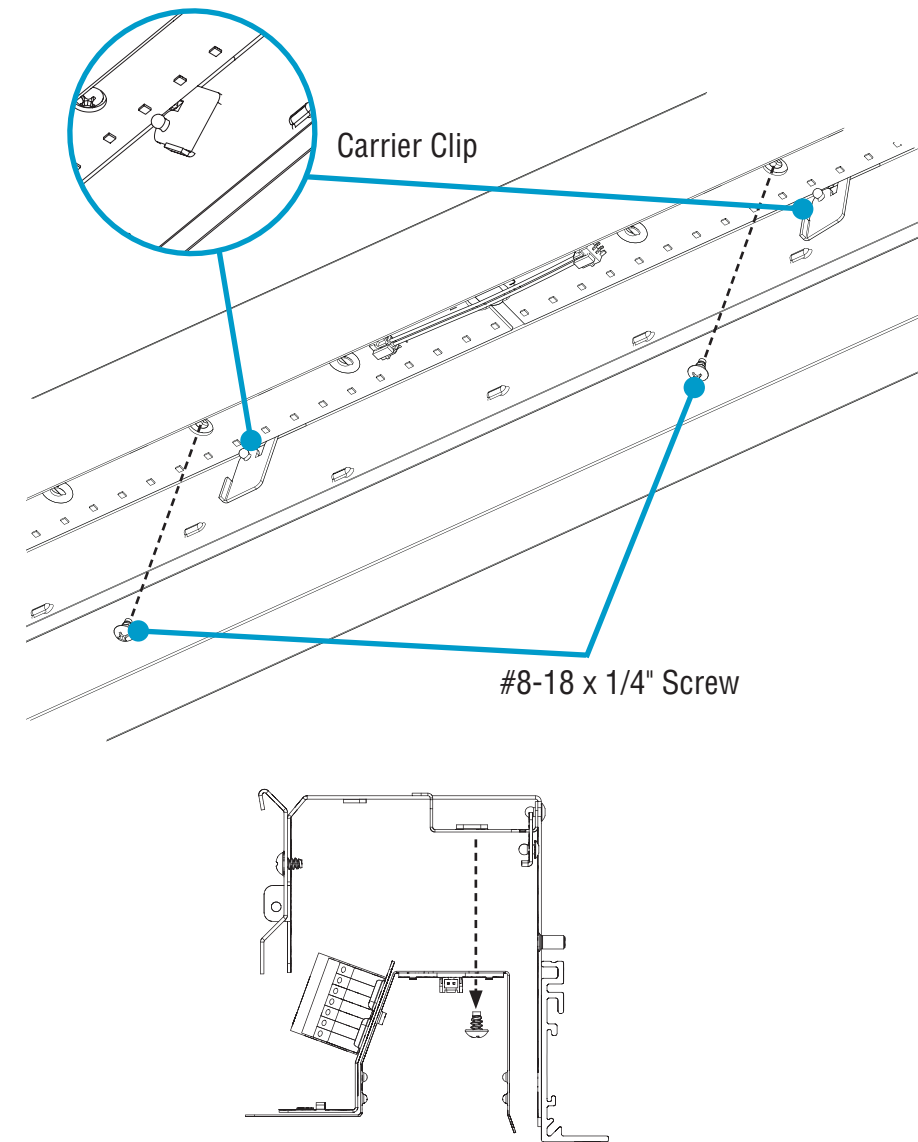
## Step 1 - Opening Luminaires

### A. Remove Diffuser




- Turn power off to luminaire.
- Remove diffuser and set aside to prevent it from getting dirty or damaged.

### B. Remove Carrier Assembly



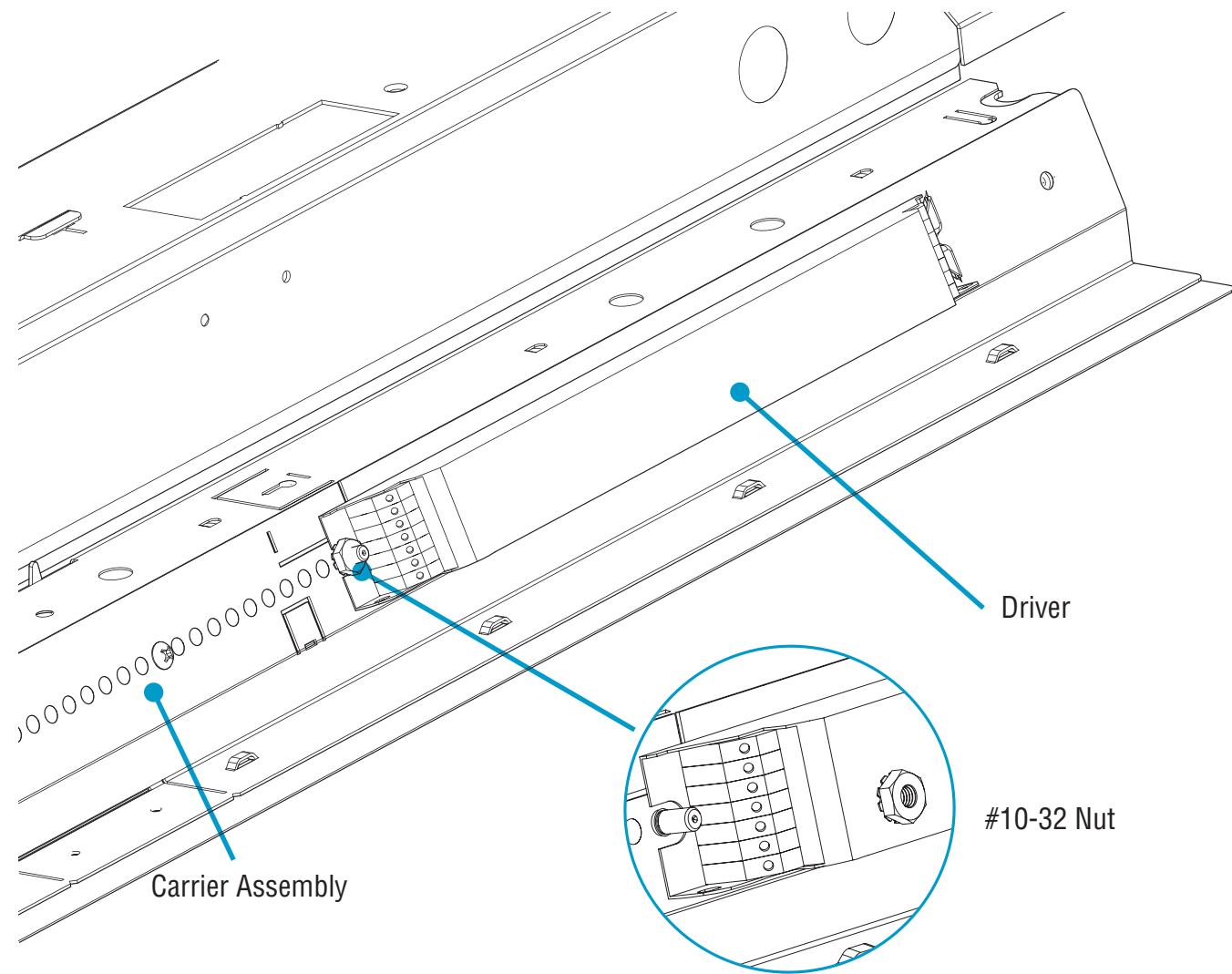
- Remove #8-18 x 1/4" screws.
- Rotate carrier clips clockwise to release carrier.
- Carrier is supported by safety cables.

 #8-18 x 1/4" Screw(s)  
(provided)

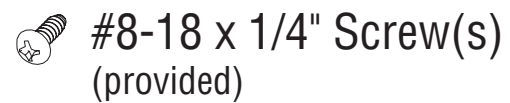
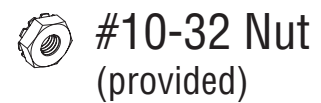
# HP-WS Perimeter Slot Driver Replacement Instructions

## Step 2 - Remove & Replace Driver

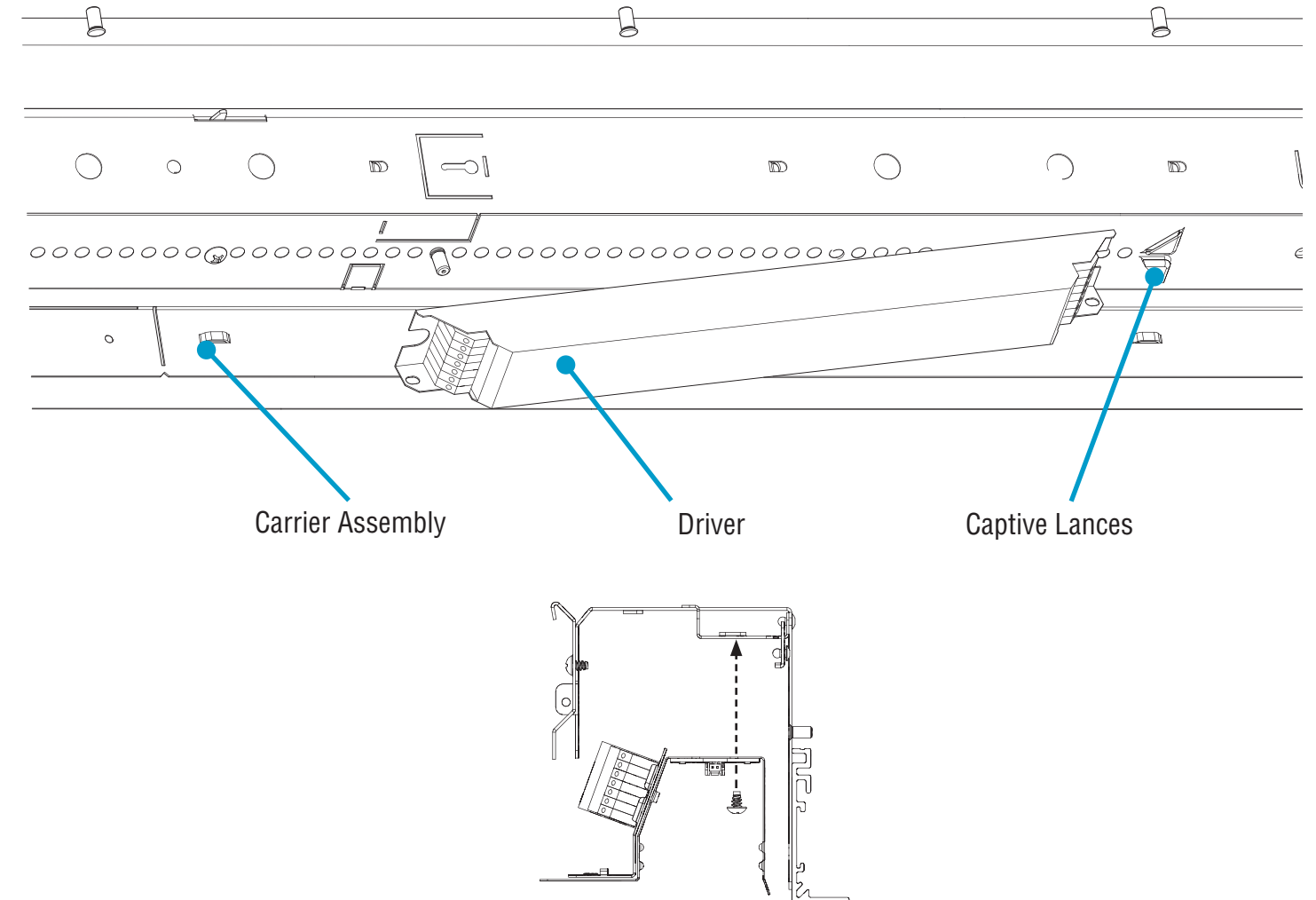
### A. Remove #10-32 Nut



- Remove #10-32 nut that holds the driver.



### B. Replace LED Boards

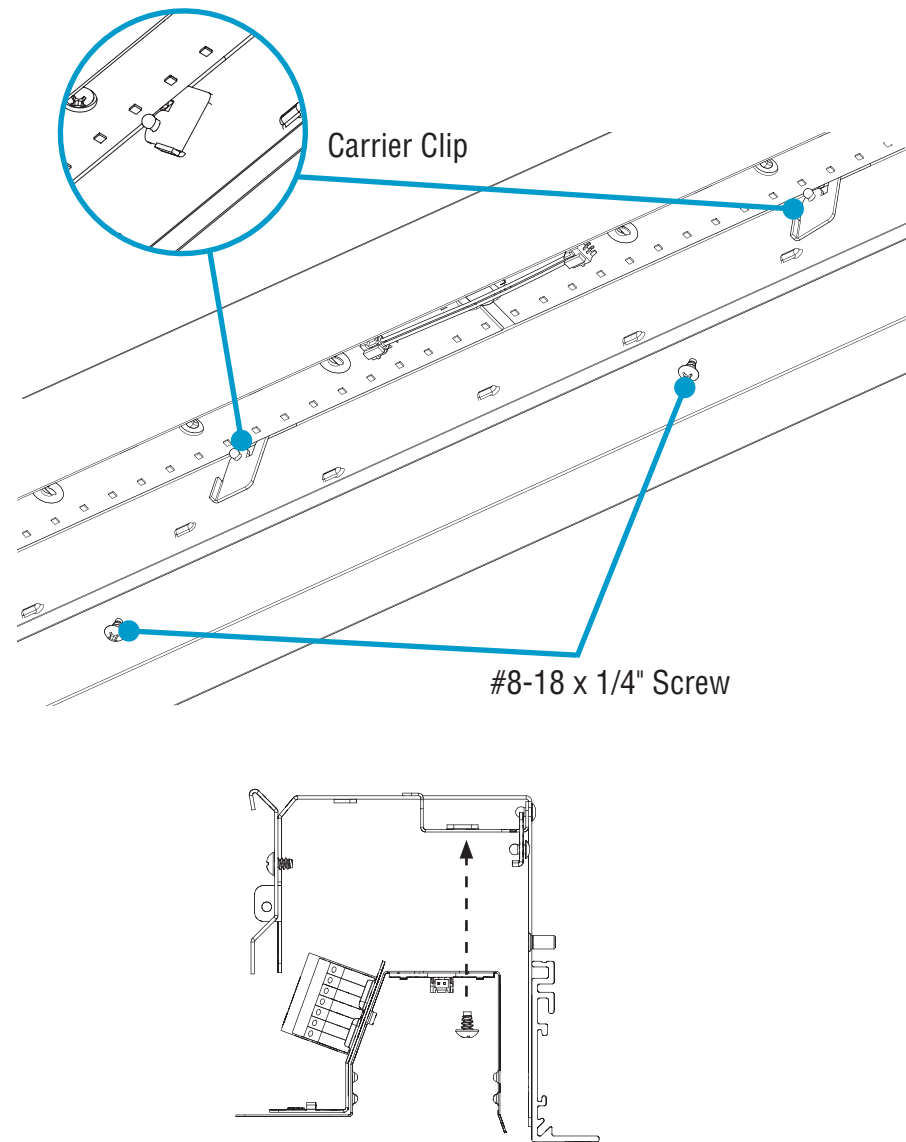


- Disconnect all wiring from driver.
- Slide driver away from captive lances.
- Replace with new driver and reconnect all wiring.


# HP-WS Perimeter Slot Driver Replacement Instructions

## Step 3 - Closing Luminaires

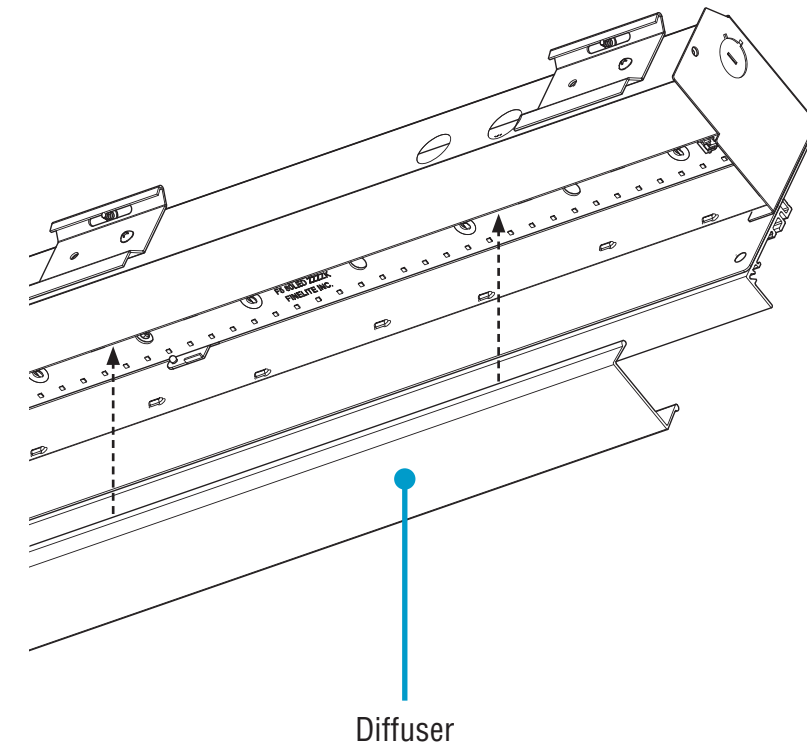
### A. Replace Carrier Assembly



- Replace the Carrier Assembly back into its position in the luminaire.
- Rotate carrier clips counter-clockwise.
- Replace #8-18 x 1/4" screws to secure the Carrier.

 #8-18 x 1/4" Screw(s)  
(provided)

### B. Replace Diffuser



- Replace diffuser back into luminaire.
- Turn power on to luminaire.