



Project: ikm Architects Office • Architect: ikm Architects • Lighting Design: ikm Architects • Location: Pittsburgh, PA

Perimeter Lighting Collection

Declare.



High Performance 2" Perimeter Slot

HP-2 WS Perimeter Slot features tailored lengths down to a 1/16" or adjustable illuminated telescoping for on-site flexibility, fully illuminated and factory built 90° corners, plus an all-in-one box shipping method to streamline installation. The narrow 2" aperture creates a crisp ribbon of light at the transition between wall and ceiling for a highly desirable aesthetic.



High Performance Perimeter Slot

The High Performance Perimeter Slot (HP-WS) creates a wash of light at the transition between wall and ceiling planes. Designed to accommodate straight runs and corner applications. Available in 2', 3', 4', and 8' section lengths with telescoping options that can be combined to make longer runs. Standard 2", 4", and 6" regressed optic options available. A post-ceiling installation method allows the luminaire to install after ceiling framing is complete.

High Performance Wall Grazer

The High Performance Wall Grazer (HP-WG) is a perimeter luminaire that creates a uniform grazing distribution of light to enhance and emphasize textured or feature-wall vertical surfaces. The light separates the wall and ceiling planes and increases visual contrast. Available in tailored lengths, minimum 2', in increments accurate to 1/16". Standard 2", 4", and 6" regressed optic options available.

Features



Tailored Output

Optimize lighting levels to accommodate architectural design elements and code requirements.

Tailored Control

Dim and tune the lighting to fit user preference.

Tailored Color

Tune white light and intensity to the preferences of the people in the space.

Tailored Lengths ¹

Minimum 2', increments accurate to 1/16".

Installation

An installation method optimized for simplicity, speed and longevity. The luminaire installs after the ceiling framing is complete. Post-ceiling threaded-rod system allows projects to complete on schedule and on time.

Adjustable ²

Optional telescoping section ensures an accurate fit with uniform illumination.

Performance

HP-2 WS delivers up to 796 lumens per foot. HP-WS delivers up to 774 lumens per foot. HP-WG delivers up to 645 lumens per foot.

Corners ²

Accommodates inside and outside 90° corners.

Tapered Optic ³

Award winning uniform illumination through a corner and at the end of a run ensure a consistent lighting level and beautiful design.

Declare 2.0

These products are enrolled in the International Living Future Institute (ILFI) Declare 2.0 Program and are third-party verified.

¹ HP 2-WS and HP-WG Only

² HP 2-WS and HP-WS Only

³ HP-WS Only

HP-2 WS



HP-2 WS

HP-2 WS is truly a contractor friendly Perimeter Slot, featuring: tailored lengths or adjustable illuminated telescoping, fully illuminated and factory built 90° corners, plus an all-in-one box shipping method to streamline installation.

Lengths and Optics

- **Tailored Runs:** Minimum 2' section length. Increments accurate to 1/16" ($\pm 1/32$), standard. 12' maximum section length.
- **Telescoping Runs:** Optional TXL adds 1" to run length and up to an additional 11" of fully illuminated adjustability. Minimum length with TXL: 4'-1" with Std. Osram drivers or 5'-1" with all other drivers. Max single section length with TXL adjustable from 11'-1" to 12'-0".

Tailored Output

- Static White output options: Standard (**S**), Boosted Standard (**B**), High (**H**), and Very High (**V**)
- Tunable White output options: Boosted Standard (**B**), and Very High (**V**)

Tailored Color

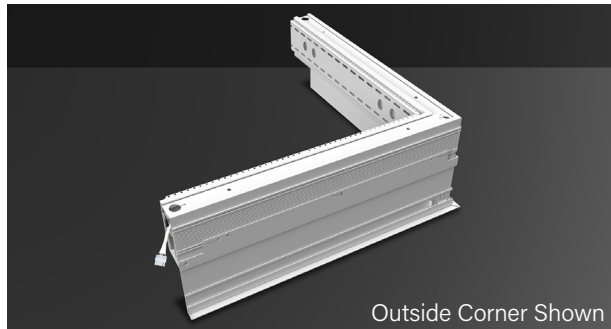
- Static White light options at 3000K, 3500K and 4000K CCT
- Tunable White option for two-source tunable white light between 2700K and 6500K CCT
- 80+ and 90+ CRI options

Tailored Control

- Dimming from 100% to 10%, standard; 1% available
- Industry-leading pre-qualified drivers and controls options
- Simplified white light color tuning design

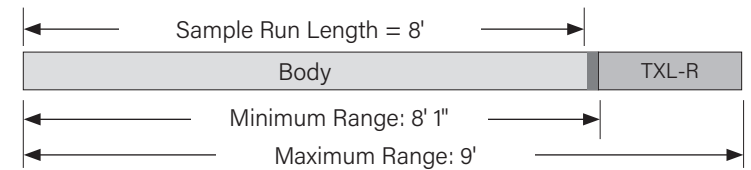
Pre-built Inside & Outside 90° Corners

Fully illuminated, factory built plug-together corners for easy installation

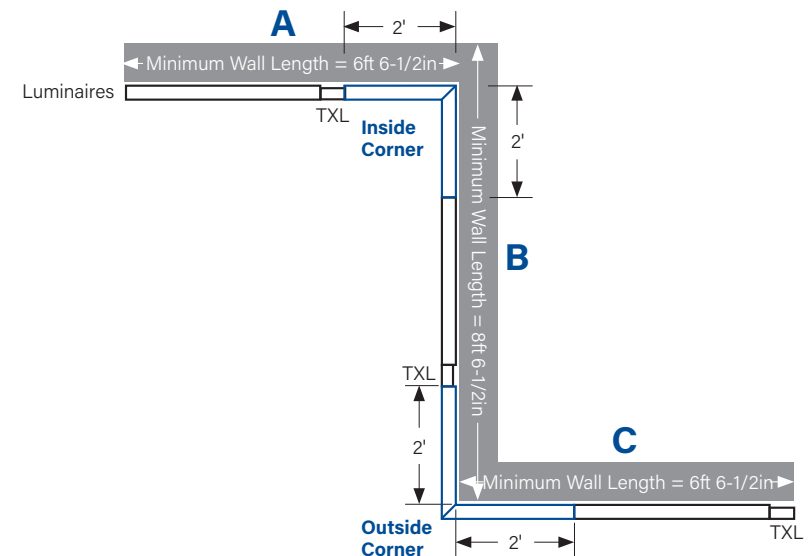


Note

– Wall Bracket Mounting & Threaded-Rod available.



Ordering Sample: HP-2 WS-4D-8'-B-835-96LG-277-SC-FC-10%-WB-C1-FE-L-TXL-R-SW



Configuration with pre-built 90° corners and telescoping*

* Consult factory for applications that require shorter than minimum lengths

H2-WS Performance

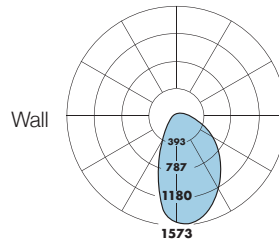
HP-2 WS-4D-4'-V-835

Efficacy: 90 lm/W

Total luminaire output: 3184 lumens (796 lm/ft)
35.4 watts (8.9 W/ft)

CCT: 3500K

ITL LM79 Report 94264



Total Light Output, 3500K, 80 CRI (Lumens) - 4' Luminaire			
S*	B*	H*	V**
1303	1639	2476	3184

Light Output, 3500K, 80 CRI (Lumens Per Foot)			
S*	B*	H*	V**
326	410	619	796

Power, 3500K, 80 CRI (Watts Per Foot)			
S*	B*	H*	V**
3.5	4.4	6.8	8.9

Efficacy, 3500K, 80 CRI (Lumens Per Watt)			
S*	B*	H*	V**
94	93	91	90

S – Standard Output, **B** – Boosted Standard Output, **H** – High Output, **V** – Very High Output

* Family Correlation based on 4' luminaire 3500K Very High Output (**V**) test – 120V

** Correlation based on ITL report: 94264

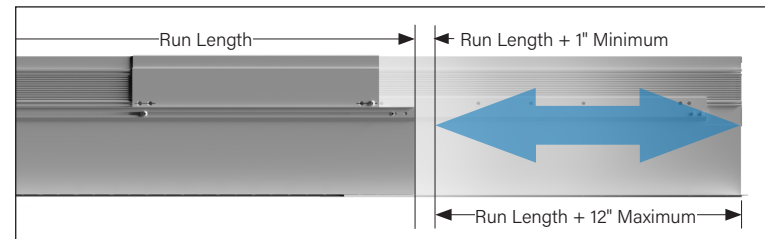
Notes

– Refer to LM-79 reports for other configurations.

CANDELA DISTRIBUTION						
	0.0	22.5	45	67.5	90	Flux
0	1479	1479	1479	1479	1479	1479
5	1552	1527	1468	1418	1367	138
15	1547	1527	1396	1011	762	356
25	1407	1409	1255	530	190	458
35	1217	1226	1066	136	0	475
45	1027	1020	854	17	0	456
55	845	816	636	13	0	401
65	668	618	424	8	0	326
75	503	434	221	4	0	233
85	354	273	56	1	0	140
90	289	207	2	0	0	
95	265	181	0	0	0	87
105	198	120	0	0	0	58
115	135	71	0	0	0	34
125	81	34	0	0	0	17
135	39	9	0	0	0	6
145	8	0	0	0	0	1
155	0	0	0	0	0	0
165	0	0	0	0	0	0
175	0	0	0	0	0	0
180	0	0	0	0	0	0

Telescoping

Spackle Flange & T-Bar (TXL-L, TXL-M, or TXL-R)



Telescope adds a minimum of 1" and maximum of 12" to the run length provided.

Endcap Options for Telescoping

Spackle Flange Pocketslot Endcap



Standard Endcap (FE-L or FE-R) Pocketslot Endcap (PE-L or PE-R)

T-Bar Pocketslot Endcap

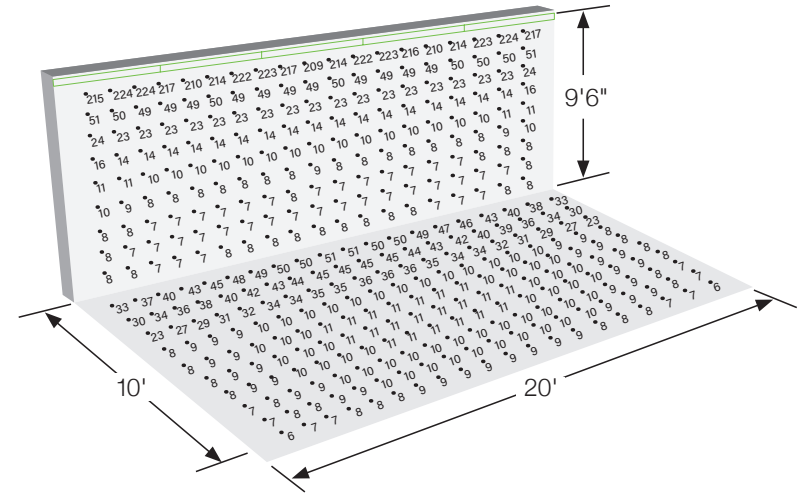
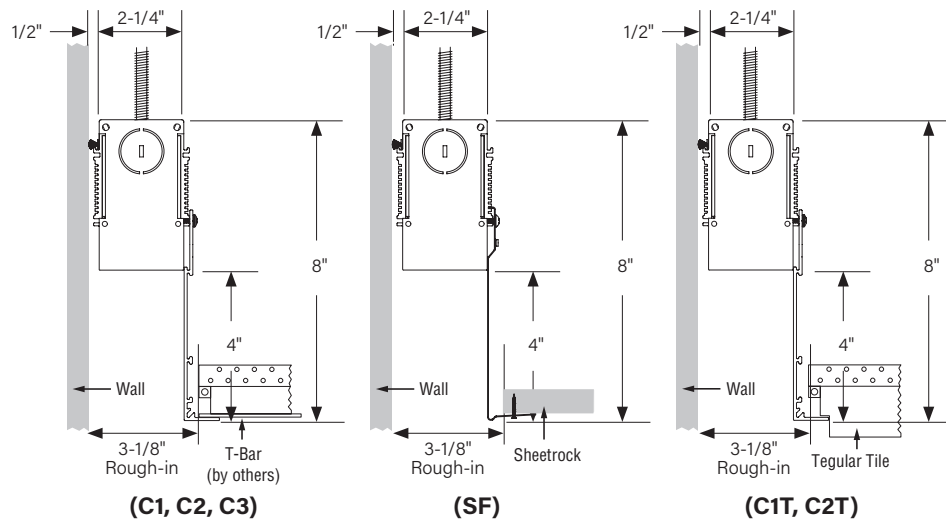


Standard Endcap (FE-L or FE-R) Pocketslot Endcap (PE-L or PE-R)

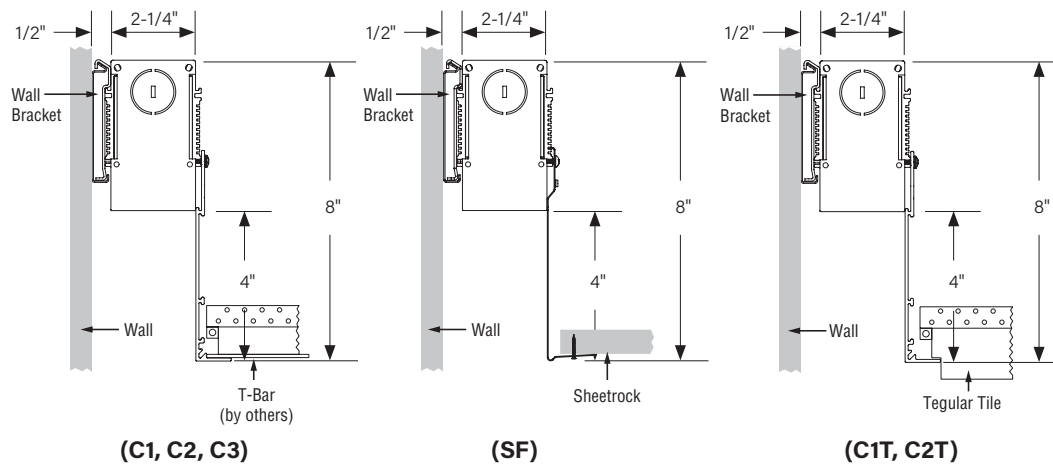
Cross Sections

Application Guide

THREADED-ROD (TR) MOUNTING CROSS SECTIONS



WALL BRACKET (WB) MOUNTING CROSS SECTIONS

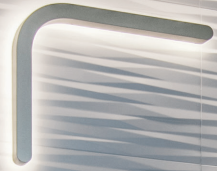


HP-2 WS-4D-4'-V-835 20' Continuous Row

	Wall	Floor
Average Light Level (Footcandles)	38 fc	18 fc
Average to Minimum	5:1	3:1

- Luminaire at 9'6" AFF to bottom of luminaire
- Luminaire recessed into slot
- Room reflectance: 80/50/20
- Light levels are initial

HP-WS



esc



Project: Four Seasons
Architect: Kollin Altomare Architects
Lighting Design: Melinda Morrison Lighting
Location: East Palo Alto, CA

HP-WS

HP-WS is a perimeter luminaire that creates a wash of light at the transition between the wall and ceiling planes. Standard options ship in 10 working days.

Lengths and Optics

- Available standard in 2', 3', 4', and 8' section lengths with telescoping options that can be combined to make longer runs. Standard 2", 4", and 6" regressed optic options available.

Tailored Output

- Static White output options: Standard (**S**), Boosted Standard (**B**), High (**H**), and Very High (**V**)
- Tunable White output options: Boosted Standard (**B**), and Very High (**V**)

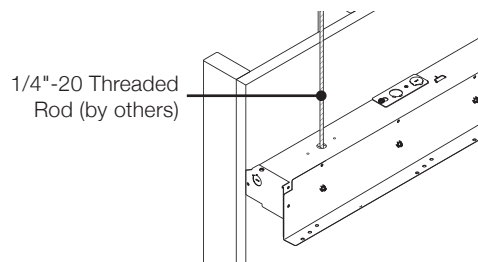
Tailored Color

- Static White light options at 3000K, 3500K and 4000K CCT
- Tunable White option for two-source tunable white light between 2700K and 6500K CCT
- 80+ and 90+ CRI options

Tailored Control

- Dimming from 100% to 10%, standard; 1% available
- Industry-leading pre-qualified drivers and controls options
- Simplified white light color tuning design

Post-Ceiling with Threaded-Rod Mounting Installation

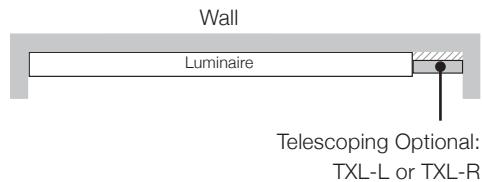


Allows a luminaire to be installed after ceiling framing is complete.

Note

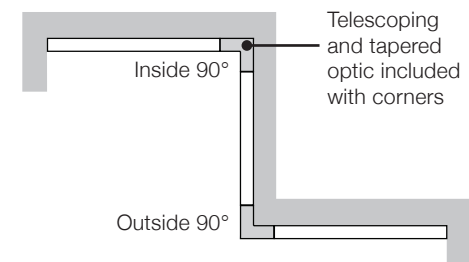
- Wall bracket mounting available.

Straight Runs with Optional Telescoping



Optional telescoping section adds up to 12 inches for a straight run.

Fully Illuminated 90° Corners



Fully illuminated 90° corners with telescoping and tapered optics standard. Consult technical sheet for telescoping lengths on inside and outside corners.

HP-WS Performance

4"W x 2"D

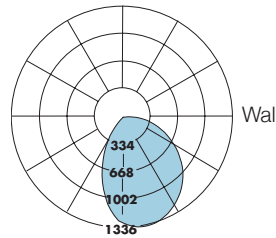
Very High Output – 120V

Efficacy: 84 lumens per watt

Total Luminaire Output: 3097 lumens (774 lumens/foot)
37 watts (9.3 watts/foot)

CCT: 3500K

ITL LM79 Report: 86712



CANDELA DISTRIBUTION						
	0.0	45	90	135	180	Flux
0	1235	1235	1235	1235	1235	
5	1280	1264	1229	1198	1168	116
15	1333	1281	1172	1002	903	321
25	1323	1241	1060	746	586	460
35	1258	1150	909	489	297	519
45	1144	1020	735	248	60	502
55	967	859	555	49	2	436
65	741	654	375	3	0	344
75	514	437	204	2	0	233
85	295	232	52	1	0	121
90	188	132	0	0	0	

Total Light Output, 3500K, 80 CRI (Lumens) - 4' Luminaire				
	S*	B*	H*	V**
4"W x 2"D	1268	1594	2409	3097

Light Output, 3500K, 80 CRI (Lumens Per Foot)				
	S*	B*	H*	V**
4"W x 2"D	317	398	602	774

Power, 3500K, 80 CRI (Watts Per Foot)				
	S*	B*	H*	V**
4"W x 2"D	3.6	4.6	7.1	9.3

Efficacy, 3500K, 80 CRI (Lumens Per Watt)				
	S*	B*	H*	V**
4"W x 2"D	88	87	85	84

S – Standard Output, B – Boosted Standard Output, H – High Output, V – Very High Output

* Family Correlation based on 4' luminaire 3500K Very High Output (V) test – 120V

** Correlation based on ITL report: 86712

Notes

– Refer to LM-79 reports for other configurations.

Endcap Options

Standard Flat (FE-L or FE-R)



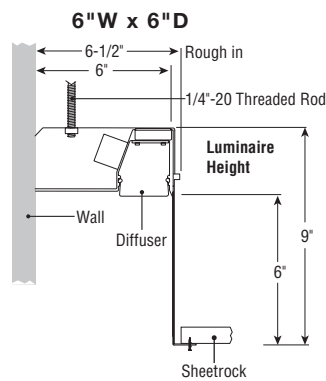
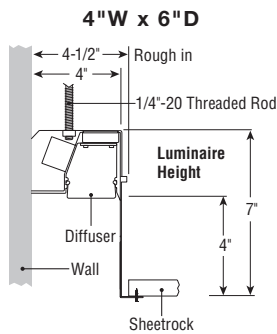
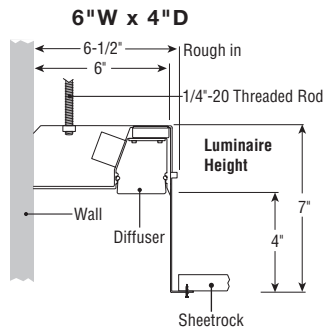
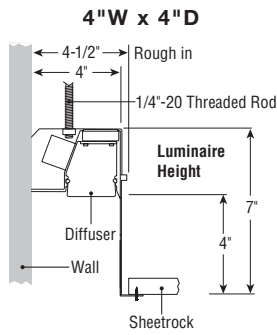
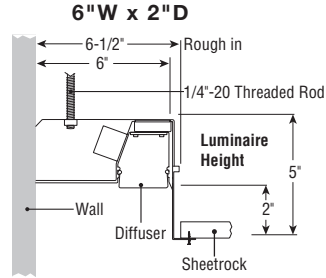
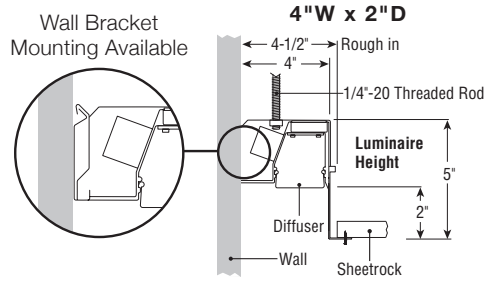
Spackle Flange version shown, T-Bar available.

Pocket Slot (PE-L or PE-R)

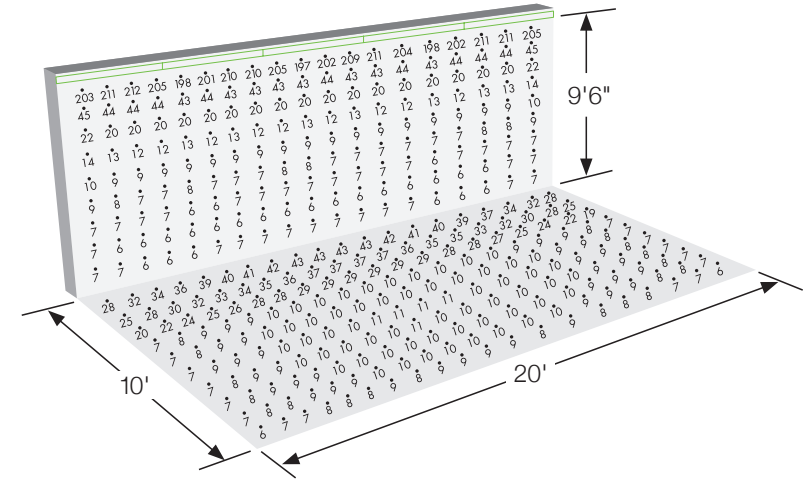


T-Bar version shown, Spackle Flange available.

Cross Sections



Application Guide



HP-WS-4W-4D-H-835
20' Continuous Row

	Wall	Floor
Average Light Level (Footcandles)	35 fc	16 fc
Average to Minimum	6:1	3:1

- Luminaire at 9'6" AFF to bottom of luminaire
- Luminaire recessed into slot
- Room reflectance: 80/50/20
- Light levels are initial

HP-WG



HP-WG

HP-WG is a perimeter luminaire that creates a uniform grazing distribution of light to enhance and emphasize textured or feature-wall vertical surfaces. Standard options ship in 10 working days.

Tailored Length

- Minimum 2', increments accurate to 1/16" (\pm 1/32" standard)

Tailored Output

- Static White options: Standard (**S**), Boosted Standard (**B**), High (**H**), and Very High (**V**)
- Tunable White options: Boosted Standard (**B**), and Very High (**V**)

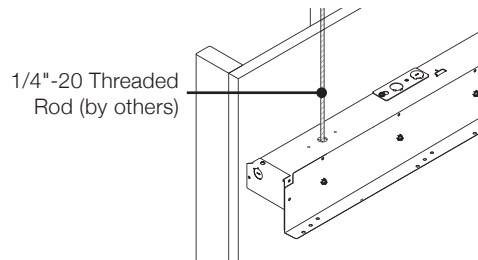
Tailored Color

- Static White light options at 3000K, 3500K and 4000K CCT
- Tunable White option for two-source tunable white light between 2700K and 6500K CCT
- 80+ and 90+ CRI options

Tailored Control

- Dimming from 100% to 10%, standard; 1% available
- Industry-leading pre-qualified drivers and controls options
- Simplified white light color tuning design

Post-Ceiling with Threaded-Rod Mounting Installation



Allows a luminaire to be installed after ceiling framing is complete.

Note

– Wall bracket mounting available.

HP-WG Performance

6"W x 2"D

Very High Output – 120V

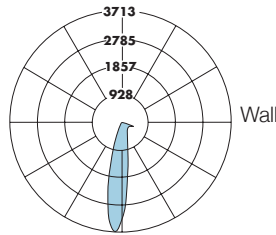
Efficacy: 70 lumens per watt

Total Luminaire Output: 2578 lumens (645 lumens/foot)

36.9 watts (9.2 watts/foot)

CCT: 3500K

ITL LM79 Report: 88542



CANDELA DISTRIBUTION						
	0.0	45	90	135	180	Flux
0	3274	3274	3274	3274	3274	3274
5	2070	2441	3253	3674	3632	274
15	787	1093	3060	2408	1367	527
25	456	628	2670	759	197	491
35	335	420	2134	129	25	401
45	294	312	1542	26	2	312
55	265	253	984	4	0	231
65	341	241	534	1	0	179
75	238	273	217	0	0	121
85	33	30	35	0	0	24
90	31	27	0	0	0	

Total Light Output, 3500K, 80 CRI (Lumens) - 4' Luminaire				
	S*	B*	H*	V**
6"W x 2"D	1055	1327	2005	2578

Light Output, 3500K, 80 CRI (Lumens Per Foot)				
	S*	B*	H*	V**
6"W x 2"D	264	332	501	645

Power, 3500K, 80 CRI (Watts Per Foot)				
	S*	B*	H*	V**
6"W x 2"D	3.6	4.6	7.1	9.2

Efficacy, 3500K, 80 CRI (Lumens Per Watt)				
	S*	B*	H*	V**
6"W x 2"D	73	72	71	70

S – Standard Output, B – Boosted Standard Output, H – High Output, V – Very High Output

* Family Correlation based on 4' luminaire 3500K Very High Output (V) test – 120V

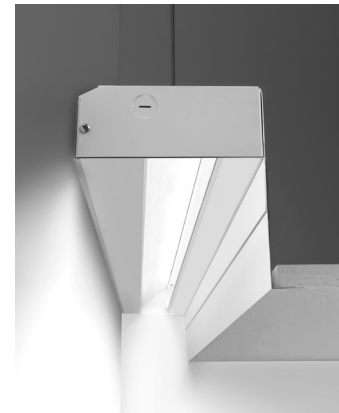
** Correlation based on ITL report: 88542

Note

– For Tunable White data please see Tunable White technical sheets.

Endcap Options

Standard Flat (FE-L or FE-R)



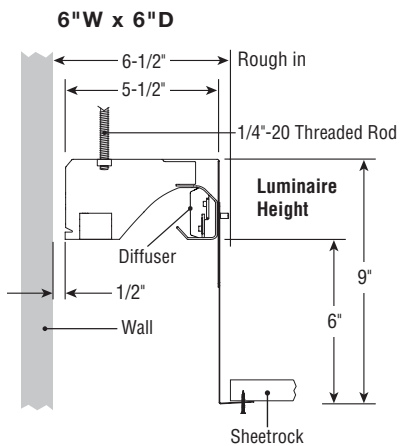
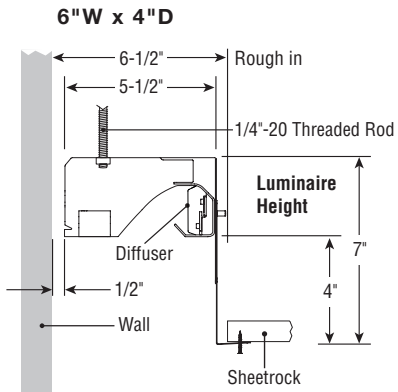
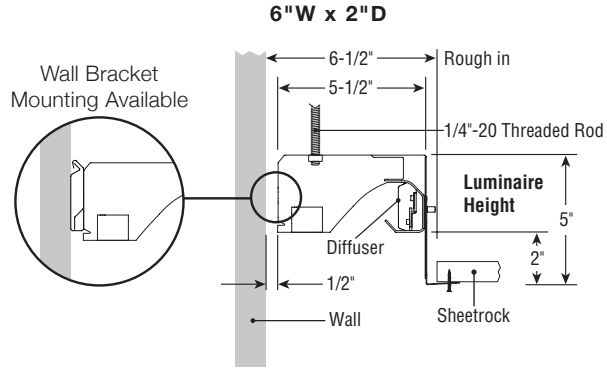
Spackle Flange version shown, T-Bar available.

Pocket Slot (PE-L or PE-R)

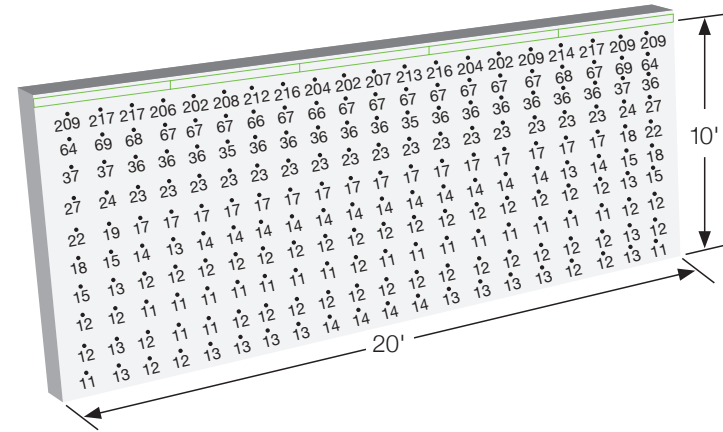


T-Bar version shown, Spackle Flange available.

Cross Sections



Application Guide



HP-WG-6W-2D-V-835 20' Continuous Row	
Wall	
Average Light Level (Footcandles)	42 fc
Average to Minimum	4:1

- Luminaire at 10'0" AFF to bottom of luminaire
- Room dimensions 20' wide and 10' deep
- Room reflectance: 80/50/20
- Light levels are initial

Airline Clubs

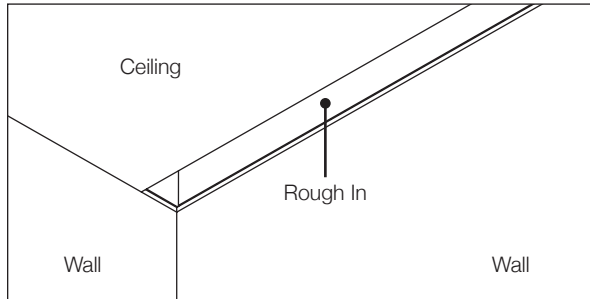
Project: Boston Logan Airport - Terminal E
Architect: AECOM
Lighting Design: Collaborative Lighting, LLC
Location: Boston, MA
Product: HP-WS



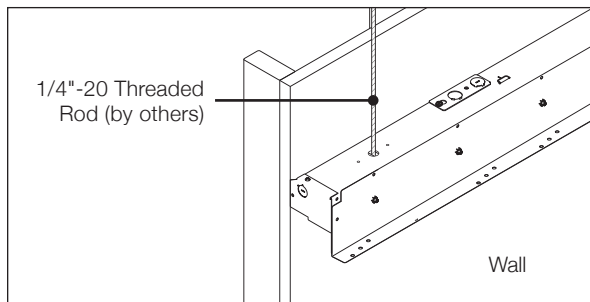
Installation

Post-ceiling with threaded-rod mounting is the standard mounting option, which eliminates the need to install mounting hardware or luminaires prior to the slot being framed. Luminaire mounts on threaded rod. Gasket runs length of luminaire ensuring a clean finish at the wall.

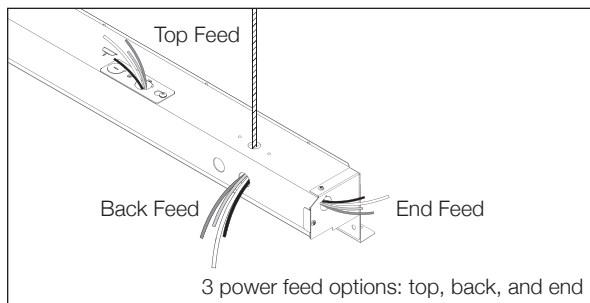
Post-ceiling with threaded-rod mounting installation is as easy as 1, 2, 3.



1 Prepare rough in.



2 Install luminaire onto 1/4\"-20 threaded rod (by others).



3 Connect power to luminaires.
HP2-WS Top and End feed is default. Consult factory for back feed.

Note

– For wall bracket mounting, refer to installation instructions.

FINELITE[®]

Better Lighting

The Finelite Difference



10-year performance-based warranty



Ships in 10 working days for standard orders



Tailored Lighting



Buy American Act Compliance