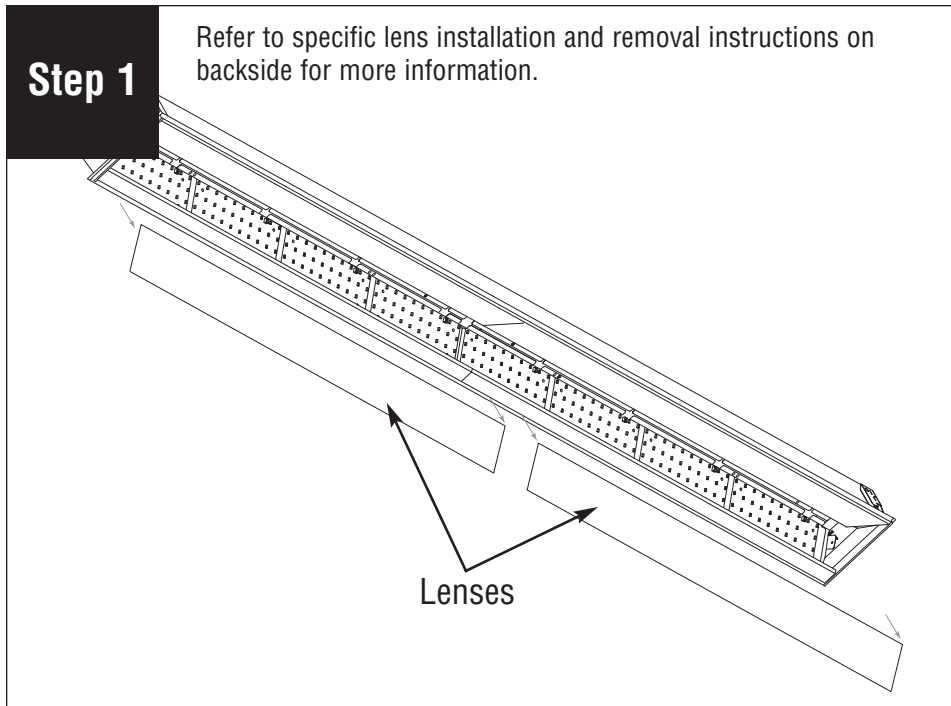
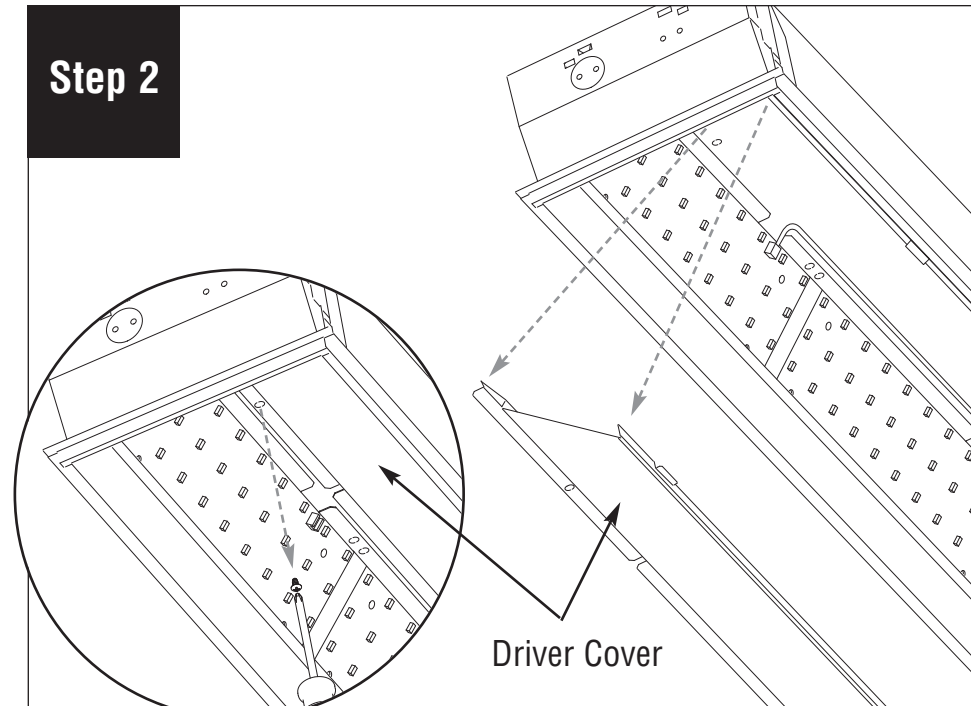


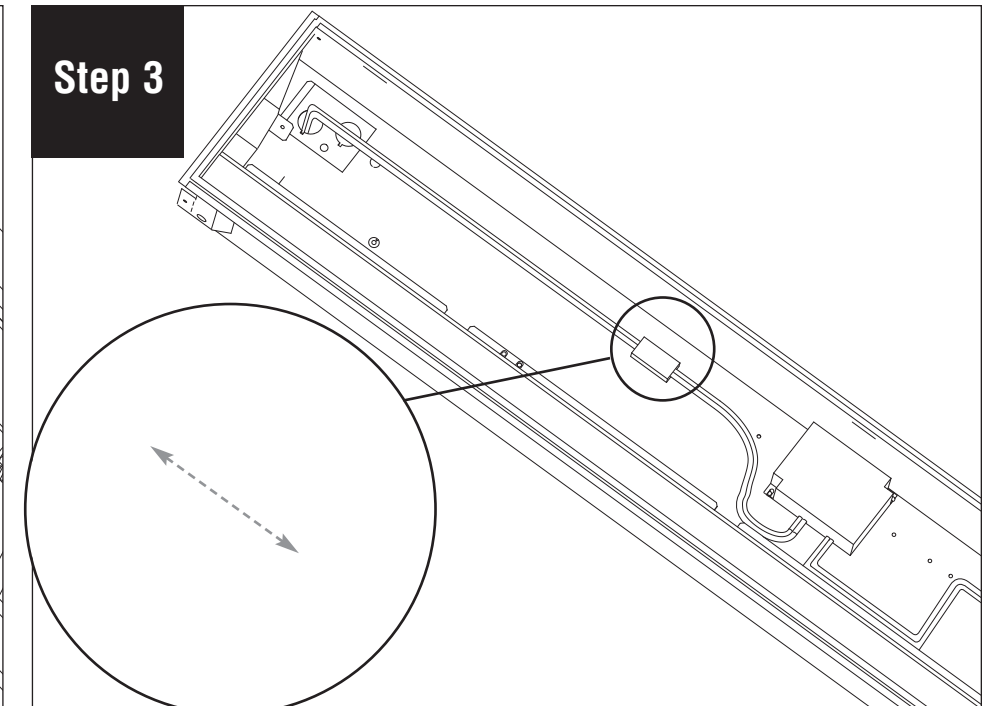
HPW LED Light Engine Replacement Installation Instructions



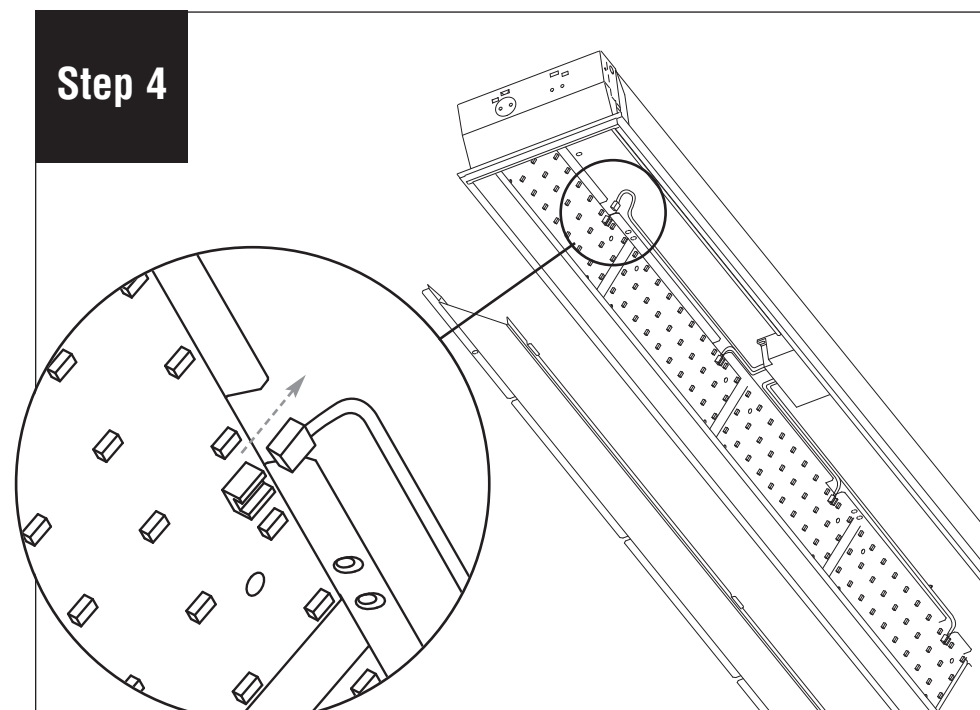
Disconnect power. Remove lenses by shifting slightly inward and lifting out of fixture.



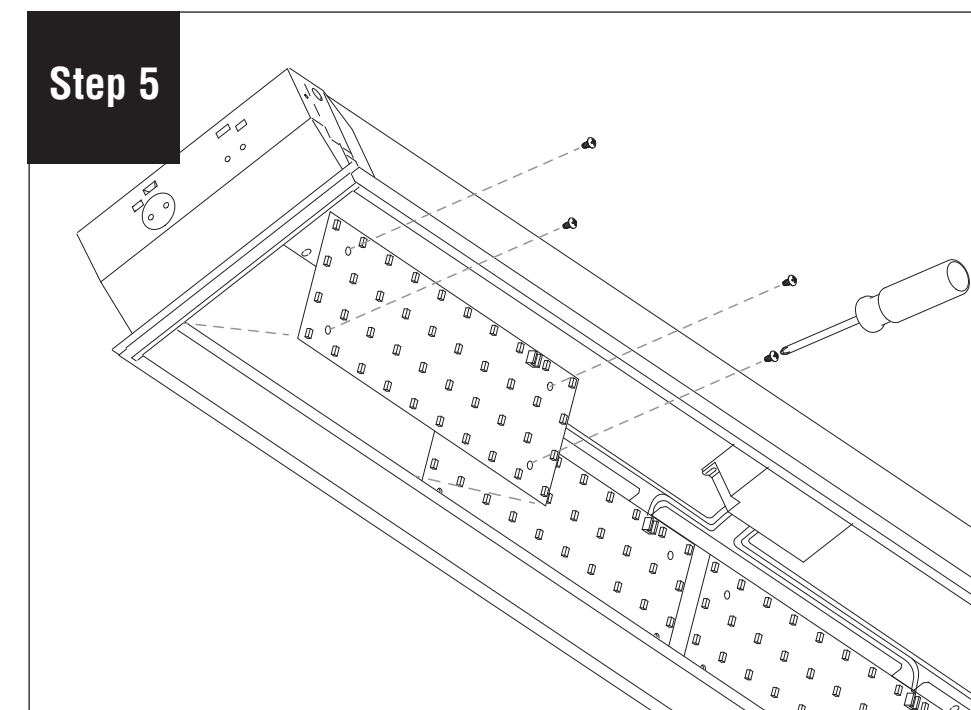
Remove screws from driver cover to access primary driver.



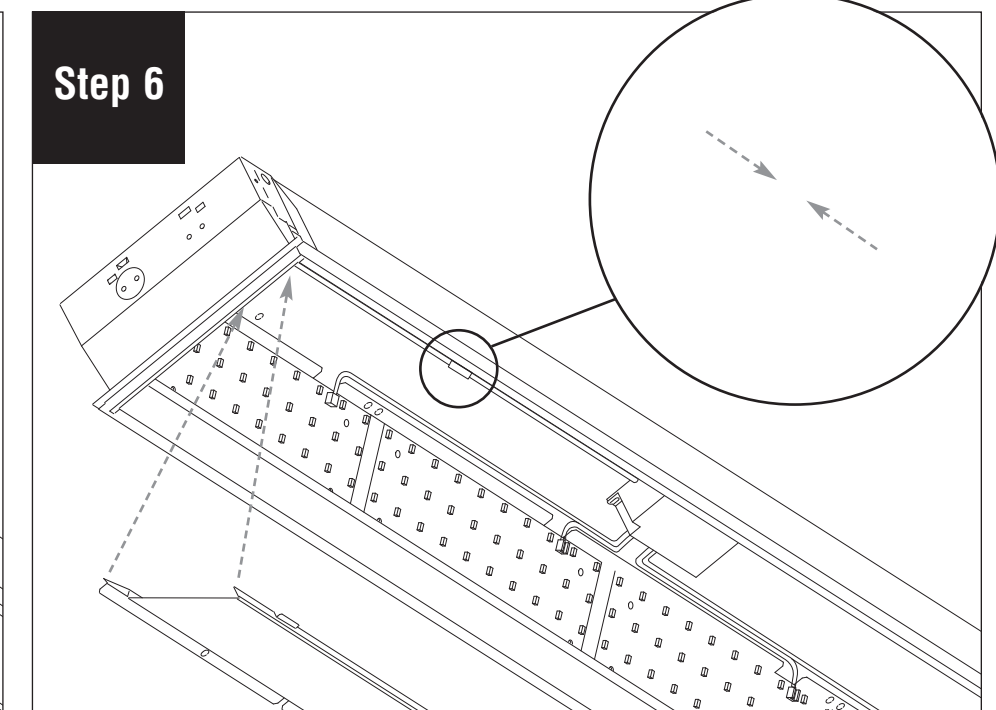
Disconnect the primary driver connection.



Unplug the connection between LED boards and driver.



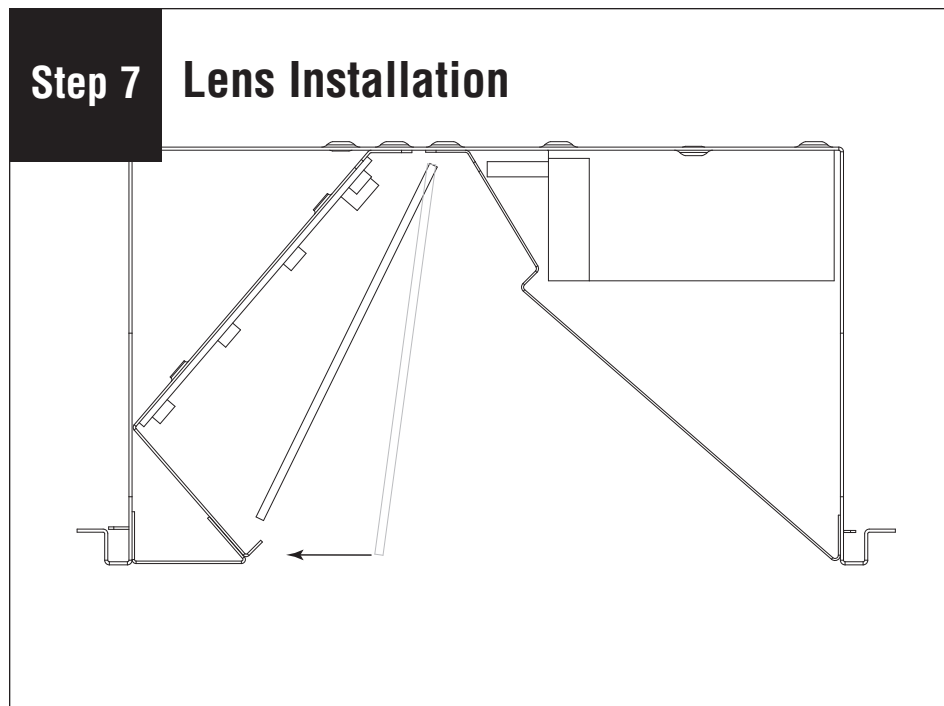
Remove (4) screws from LED board. Replace with new LED board and reconnect to driver.



Reconnect the primary driver connection. Replace the driver cover and secure with screws.

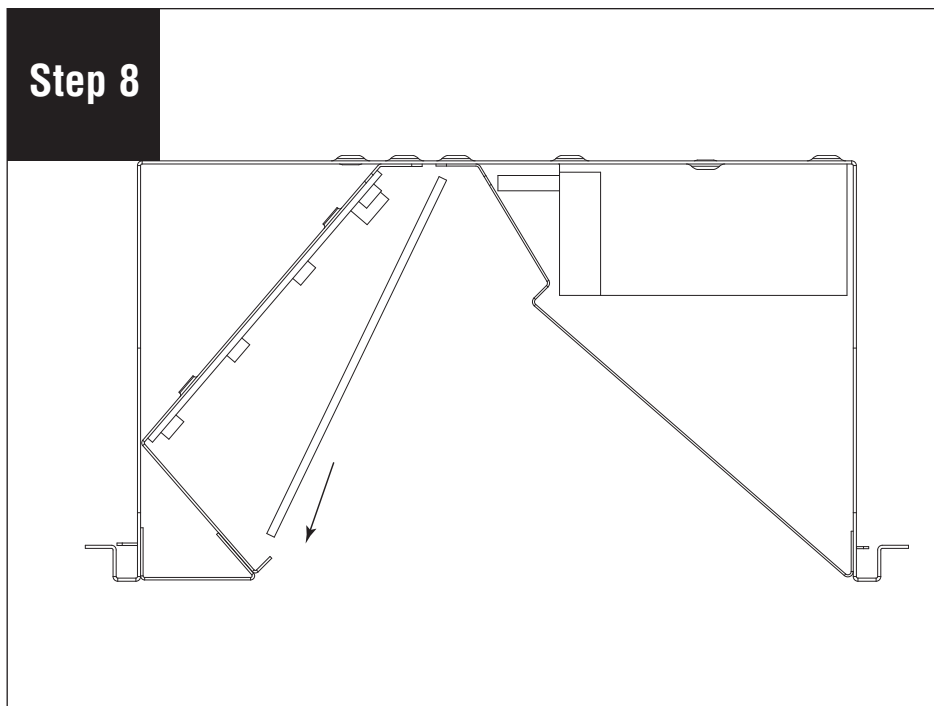
HPW LED Light Engine Replacement Installation Instructions

Step 7 Lens Installation



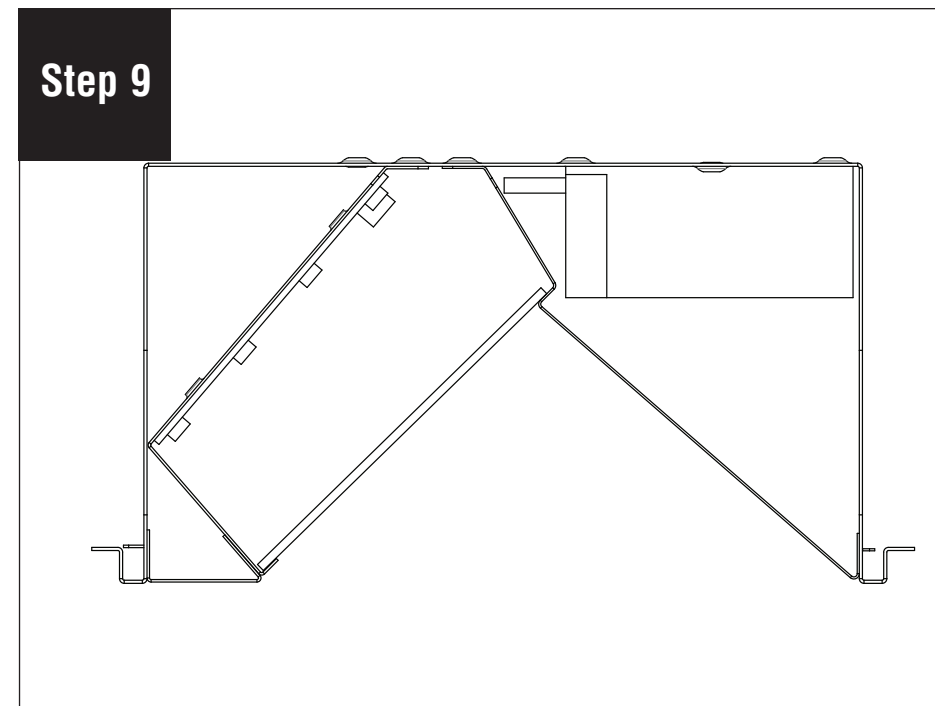
Gently tip lens towards light engine. Lift lens upwards toward the inside of the fixture.

Step 8



Starting at one end, carefully slide edge out of frame.

Step 9



Carefully lower lens into fixture.