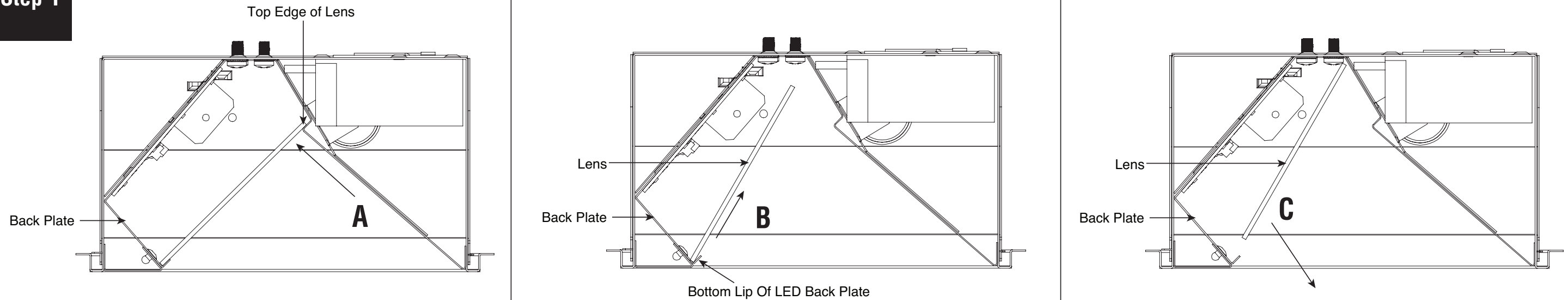
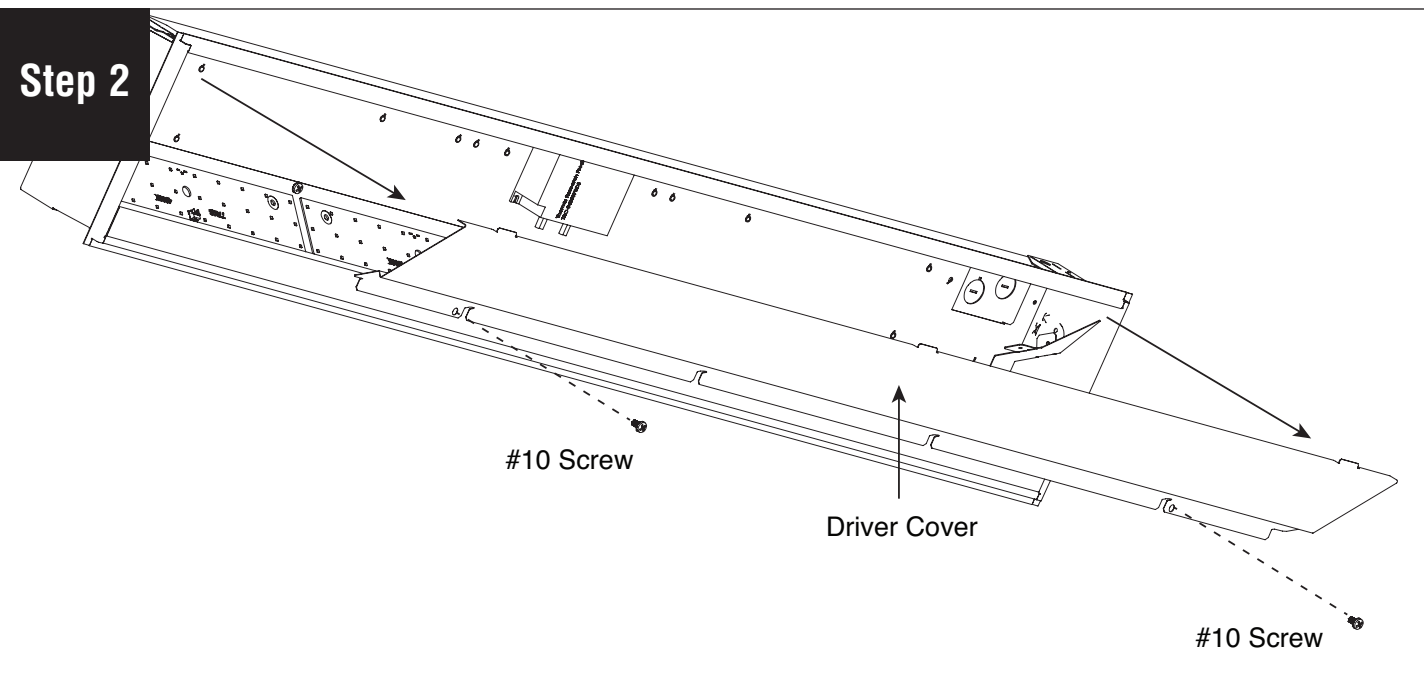


Step 1



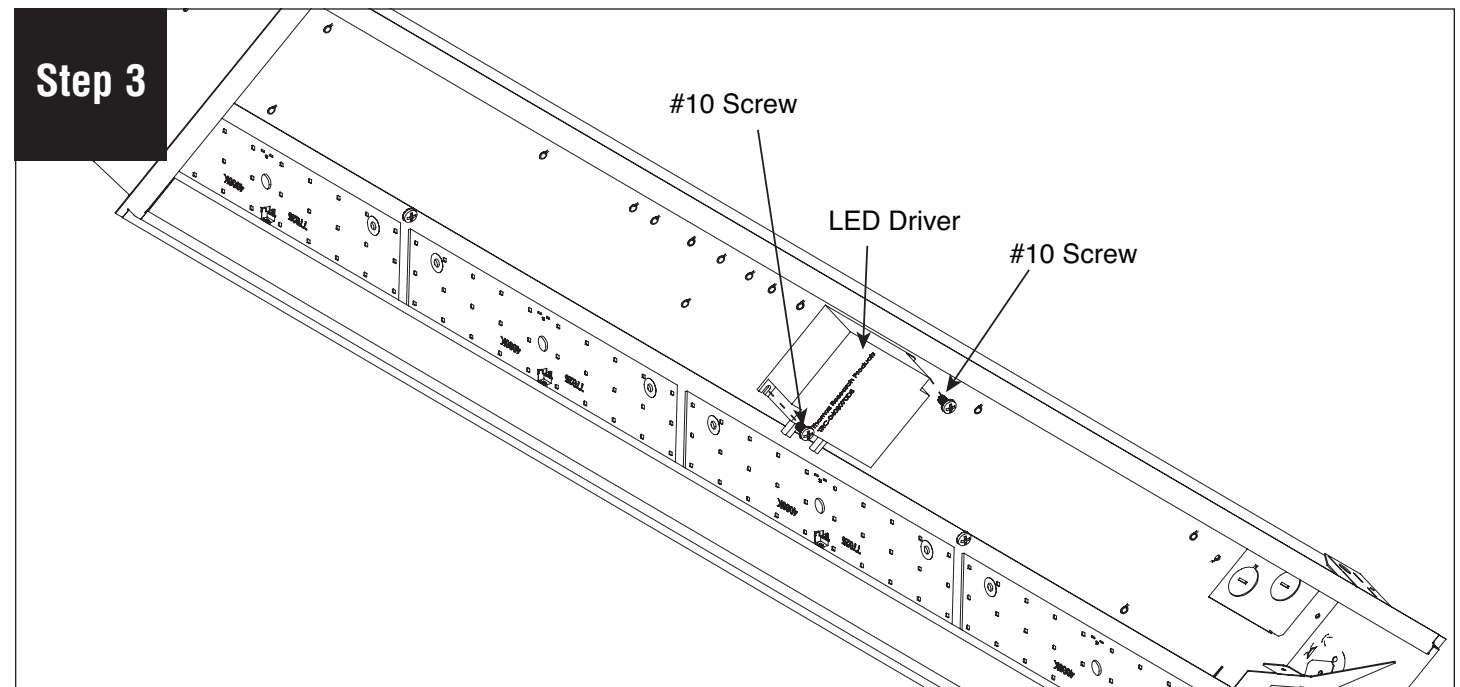
A. Remove the lens by pushing the top edge of the lens in. B. Lift the lens up slightly to clear the bottom lip of the led back plate. C. Then swing the bottom edge of lens away from back plate. Set lens aside.

Step 2



Remove 2 #10 screws. Then remove driver cover.

Step 3



Remove 2 #10 screws that hold the driver, and disconnect all electrical connections. Remove and replace new driver. Reconnect all electrical connections and reinstall driver cover and lens.