

HPT 2'x2', 3'x3', & 4'x4' T-Bar Installation Instructions

Overview

NOTES

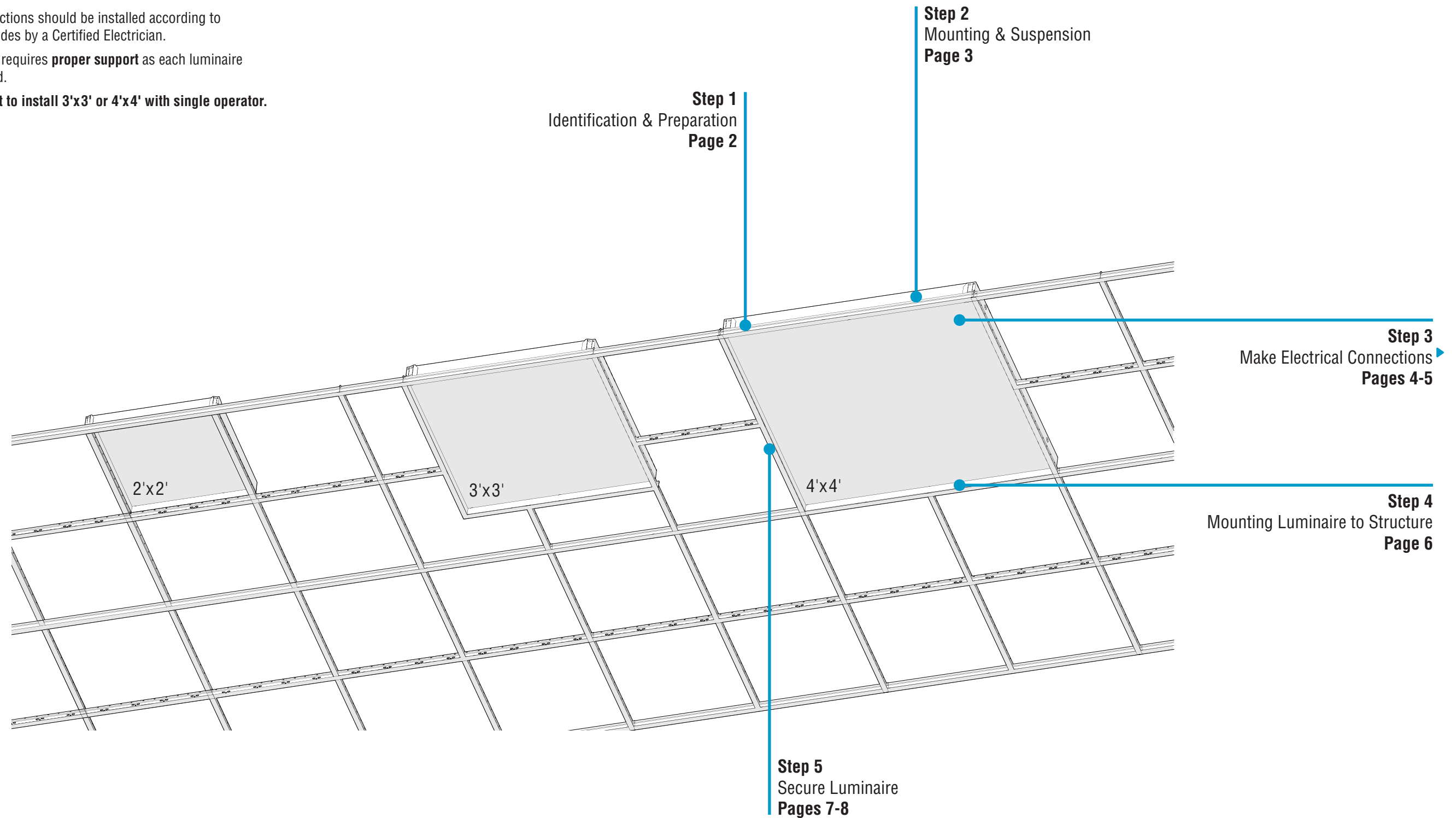
- All power connections should be installed according to local/national codes by a Certified Electrician.
- This installation requires **proper support** as each luminaire is being installed.
- **DO NOT attempt to install 3'x3' or 4'x4' with single operator.**



HELPFUL
VIDEO



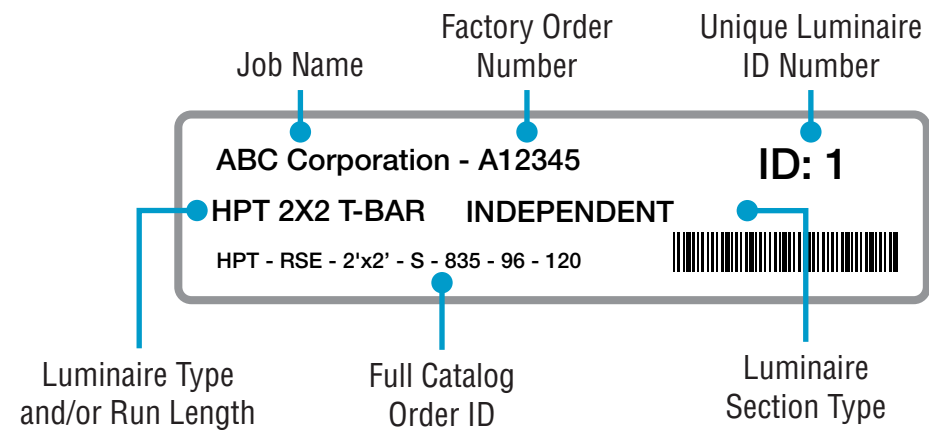
0-10V
Dimming



HPT 2'x2', 3'x3', & 4'x4' T-Bar Installation Instructions

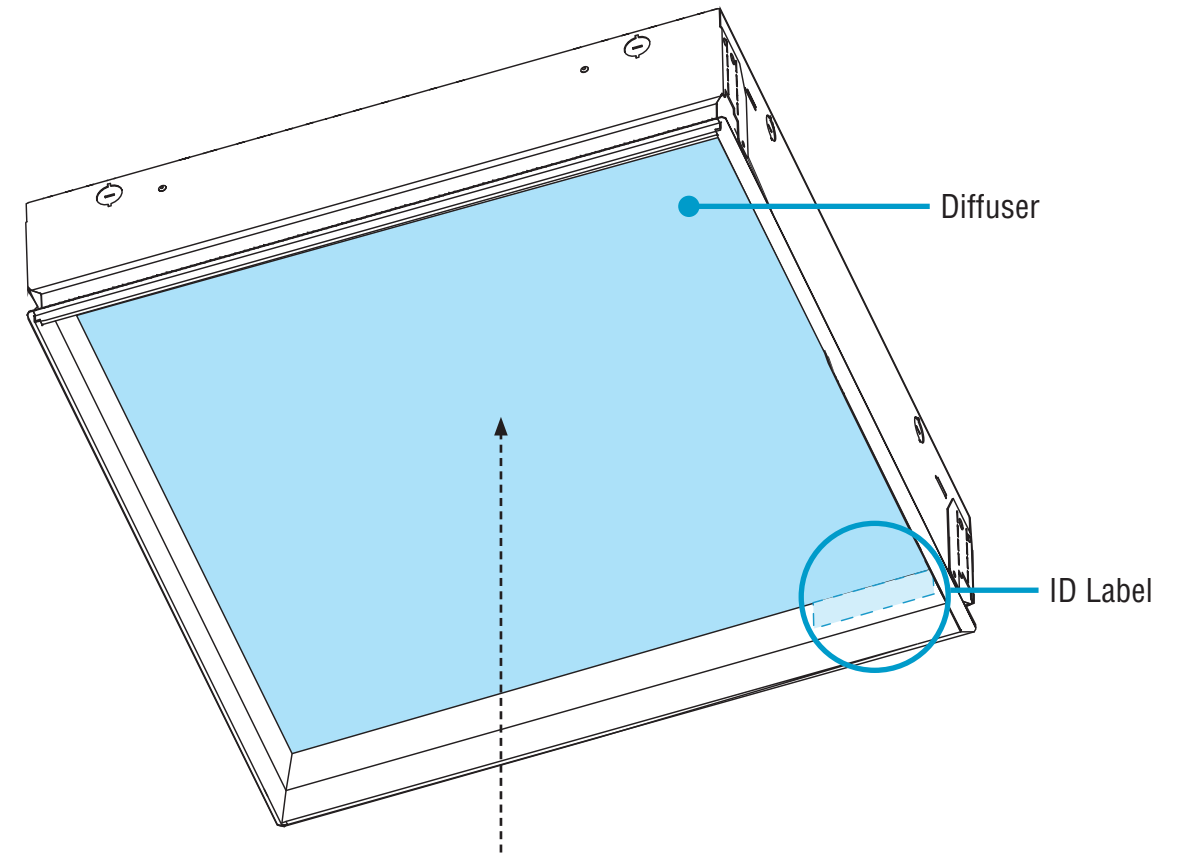
Step 1 - Identification & Preparation

A. Identify Luminaire



- Identify all luminaires by their ID label that can be found on box and inside luminaire.
- **NOTE:** Exact location of labels in these areas may vary.
- Remove luminaire from box.
- Refer to Record Drawings that can be found in hardware kit.

B. Locate ID Label



- Push up diffuser to locate ID label inside luminaire.

Kitted Hardware

- Finelite has provided items listed here, with their Finelite part numbers. These items can be found in separate boxes shipped with the luminaire.
- Account for all parts and set aside until they are needed.
- All other hardware needed for this installation will be by others.



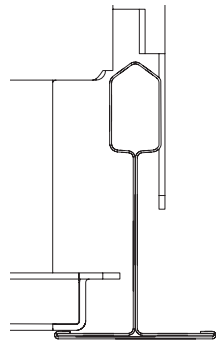
#10-32 x 3/8" Pan Phillips Type F
Part# 92108
Make Electrical Connections
p. 4-5, Step 3

HPT 2'x2', 3'x3', & 4'x4' T-Bar Installation Instructions

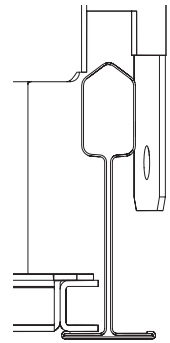
Step 2 - Mounting & Suspension

A. Mounting Options

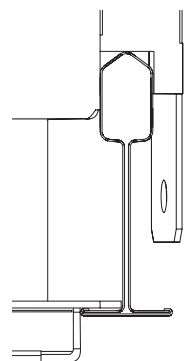
1" T-Bar (C1)



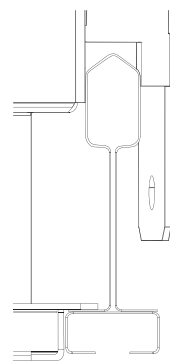
9/16" T-Bar (C2)



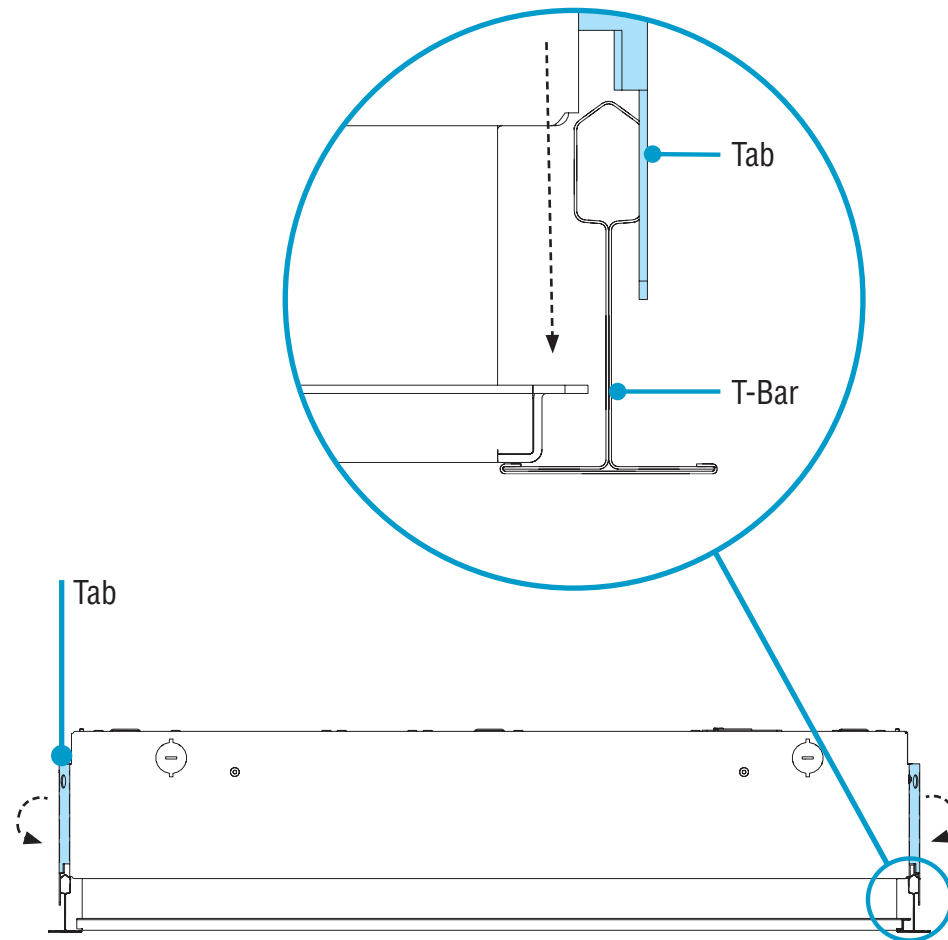
9/16" T-Bar Tegular (C2T)



Standard Screw Slot (C3)



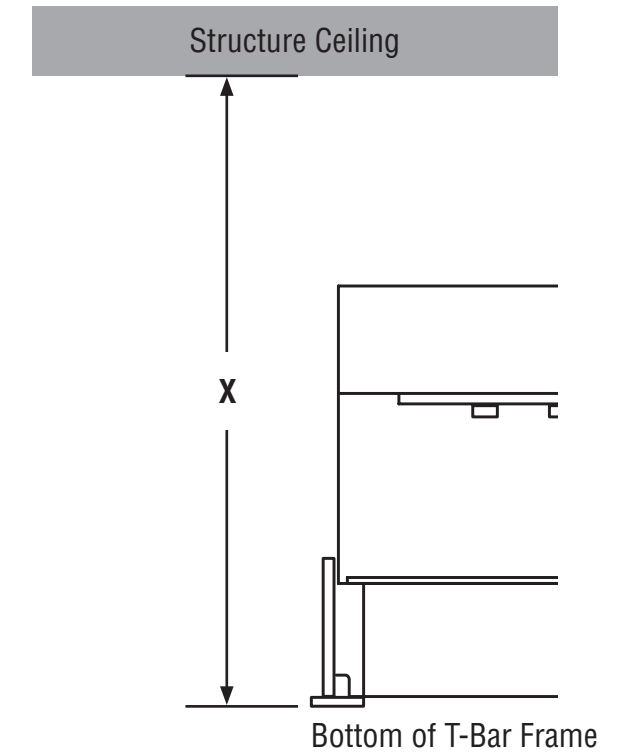
B. Suspension Locations Side View



2'x2' is shown.

- Locate and fold out tabs on side of luminaire.
- **NOTE:** If mounting another luminaire directly adjacent, make sure to rotate second luminaire so that tabs are located perpendicular to luminaire shown here.

C. T-Bar Frame Clearance Side View



Luminaire Size (ft)	Minimum Height	
	X (in)	
2x2	18	
3x3	19	
4x4	19	

- Minimum height is measured from bottom of T-Bar frame to structure ceiling.

HPT 2'x2', 3'x3', & 4'x4' T-Bar Installation Instructions

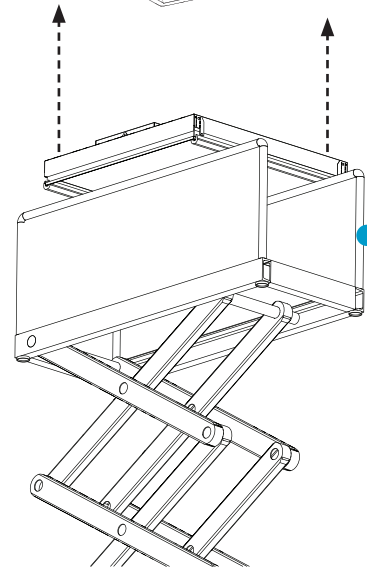
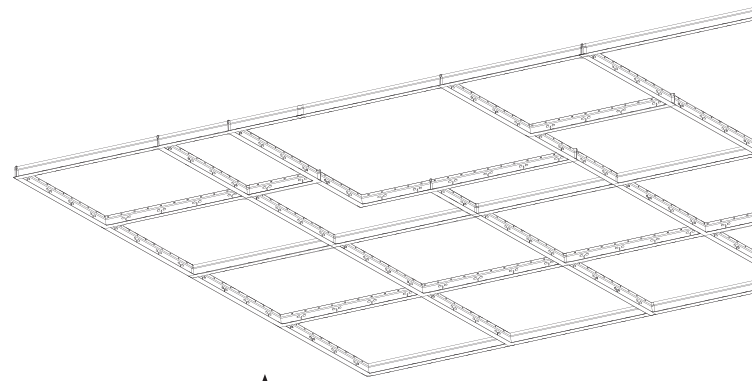
Step 3 - Make Electrical Connections

A. Raise Luminaire Bottom-Up View



DO NOT attempt to install 3'x3' or 4'x4' with single operator.

CAUTION

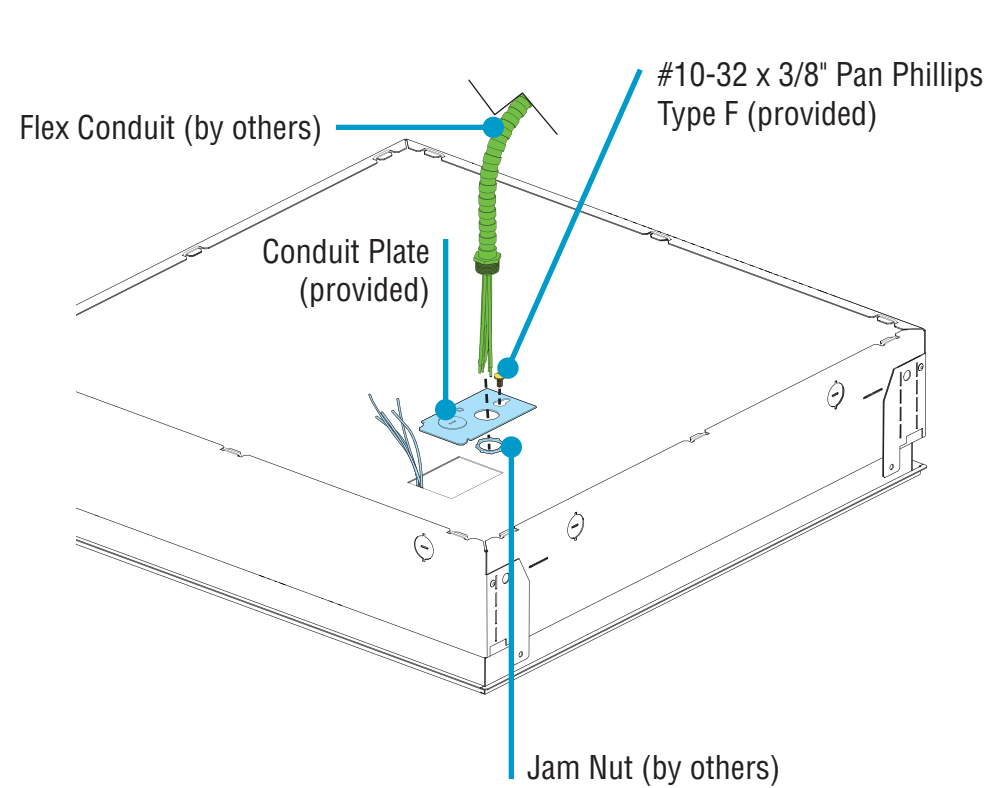


Scissor Lift or Drywall Lift

- **FOR 3'x3' & 4'x4'**: Use of scissor lift or drywall lift recommended for installation.
- Carefully raise luminaire toward ceiling.

B. Install Power Feed Top-Down View

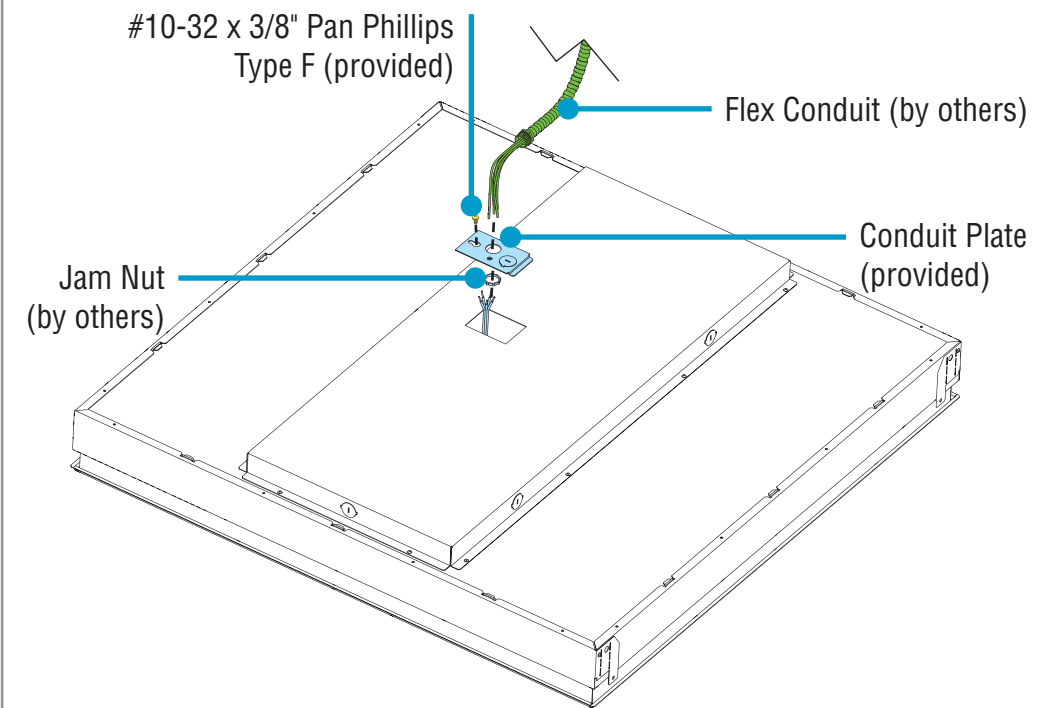
2'x2'



WIRING LEGEND		
Black	Hot	Line Voltage
White	Neutral	Line Voltage
Green	Ground	
Pink	Dimming	0-10V DC
Purple	Dimming	0-10V DC

- Remove conduit plate from top of luminaire.
- Connect all necessary wiring.
- Secure flex conduit to conduit plate.

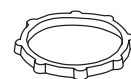
3'x3' & 4'x4'



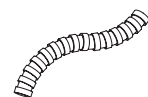
WIRING LEGEND		
Black	Hot	Line Voltage
White	Neutral	Line Voltage
Green	Ground	
Pink	Dimming	0-10V DC
Purple	Dimming	0-10V DC

- Remove conduit plate from top of luminaire.
- Connect all necessary wiring.
- Secure flex conduit to conduit plate.

 #10-32 x 3/8" Pan Phillips Type F (provided)



Jam Nut (by others)



Flex Conduit (by others)

CONTINUED



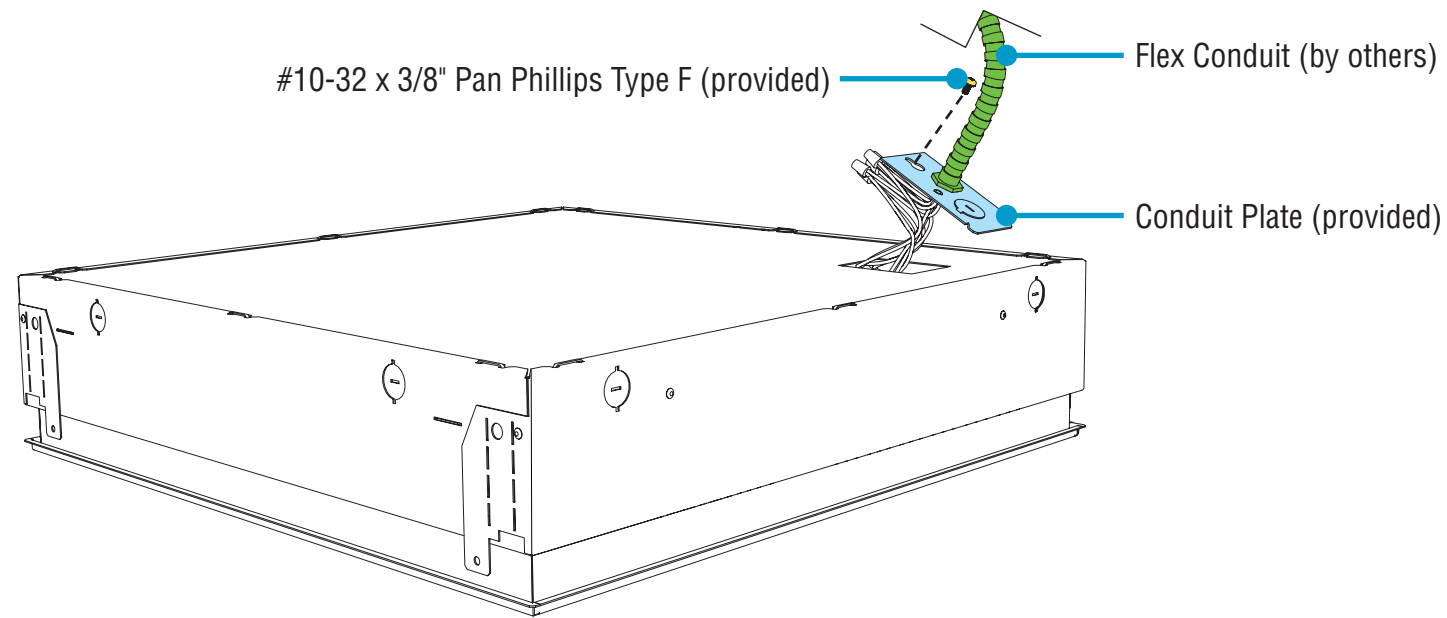
0-10V Dimming

HPT 2'x2', 3'x3', & 4'x4' T-Bar Installation Instructions

Step 3 - Make Electrical Connections

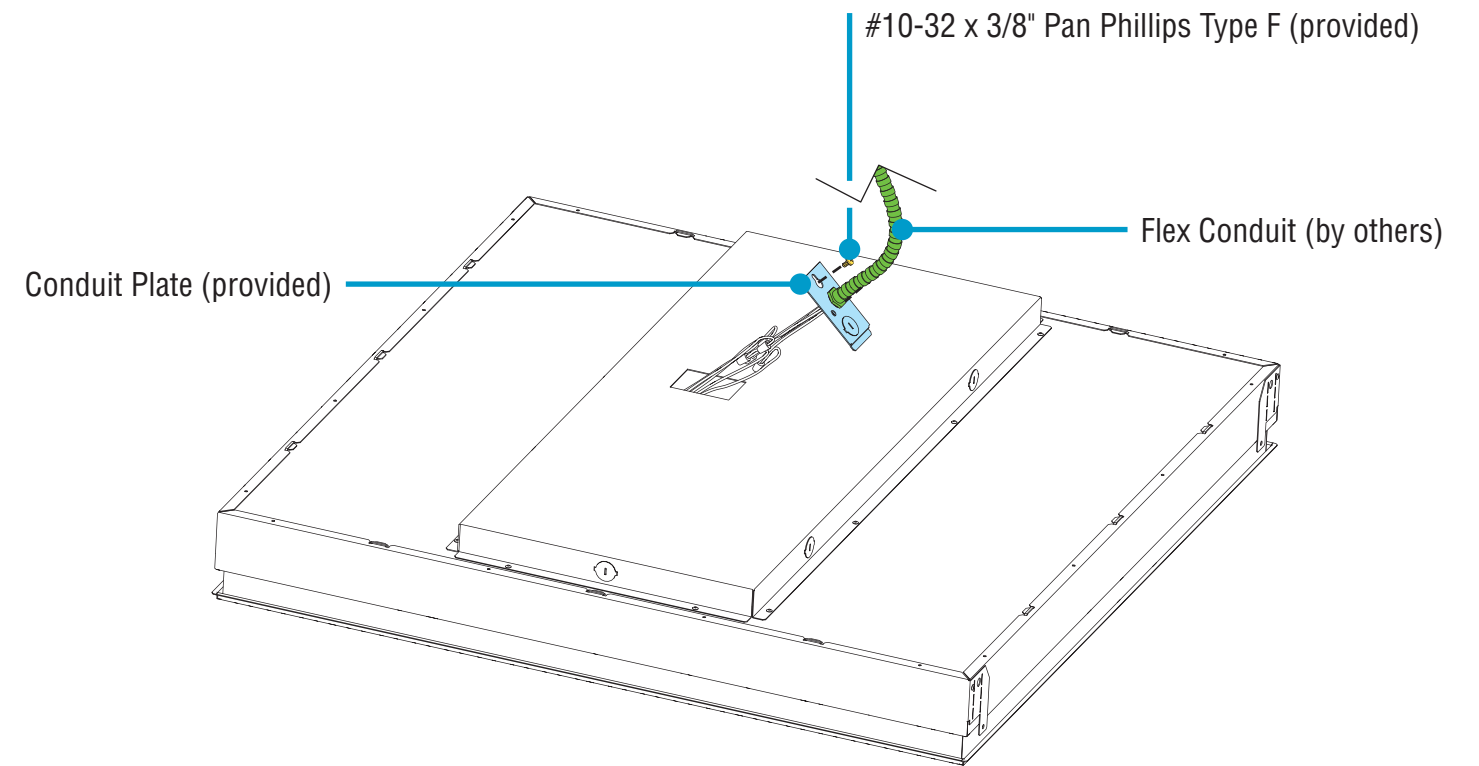
C. Reinstall Conduit Plate Top-Down View

2'x2'




- Reinstall conduit plate by tucking wires back into luminaire and fasten conduit plate back into place.

3'x3' & 4'x4'



- Reinstall conduit plate by tucking wires back into luminaire and fasten conduit plate back into place.

 #10-32 x 3/8" Pan Phillips Type F
(provided)

 Flex Conduit
(by others)

HPT 2'x2', 3'x3', & 4'x4' T-Bar Installation Instructions

Step 4 - Mounting Luminaire to Structure

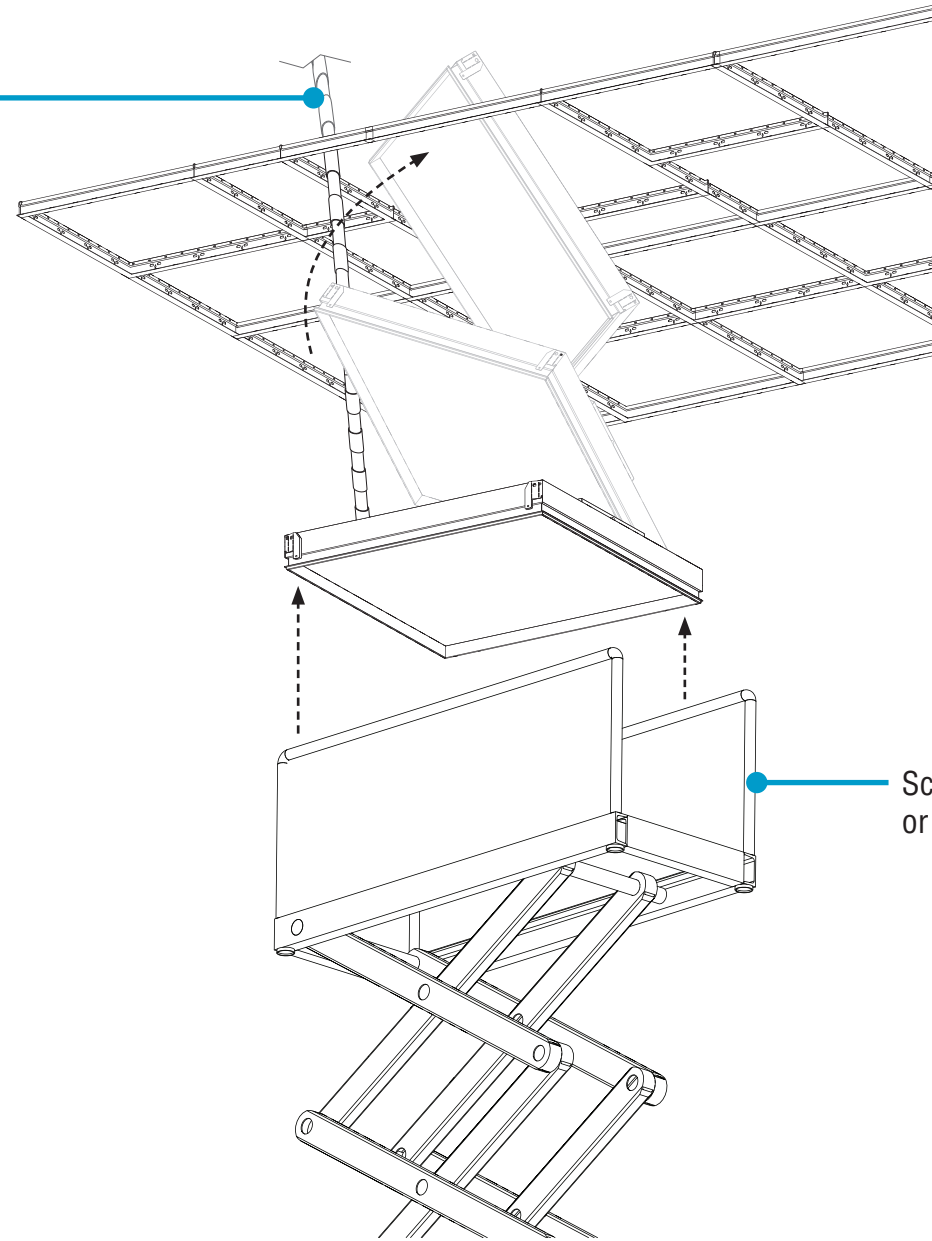
Mount Luminaire to Structure Bottom-Up View



DO NOT attempt to install 3'x3' or 4'x4' with single operator.

CAUTION

Flex Conduit (by others)



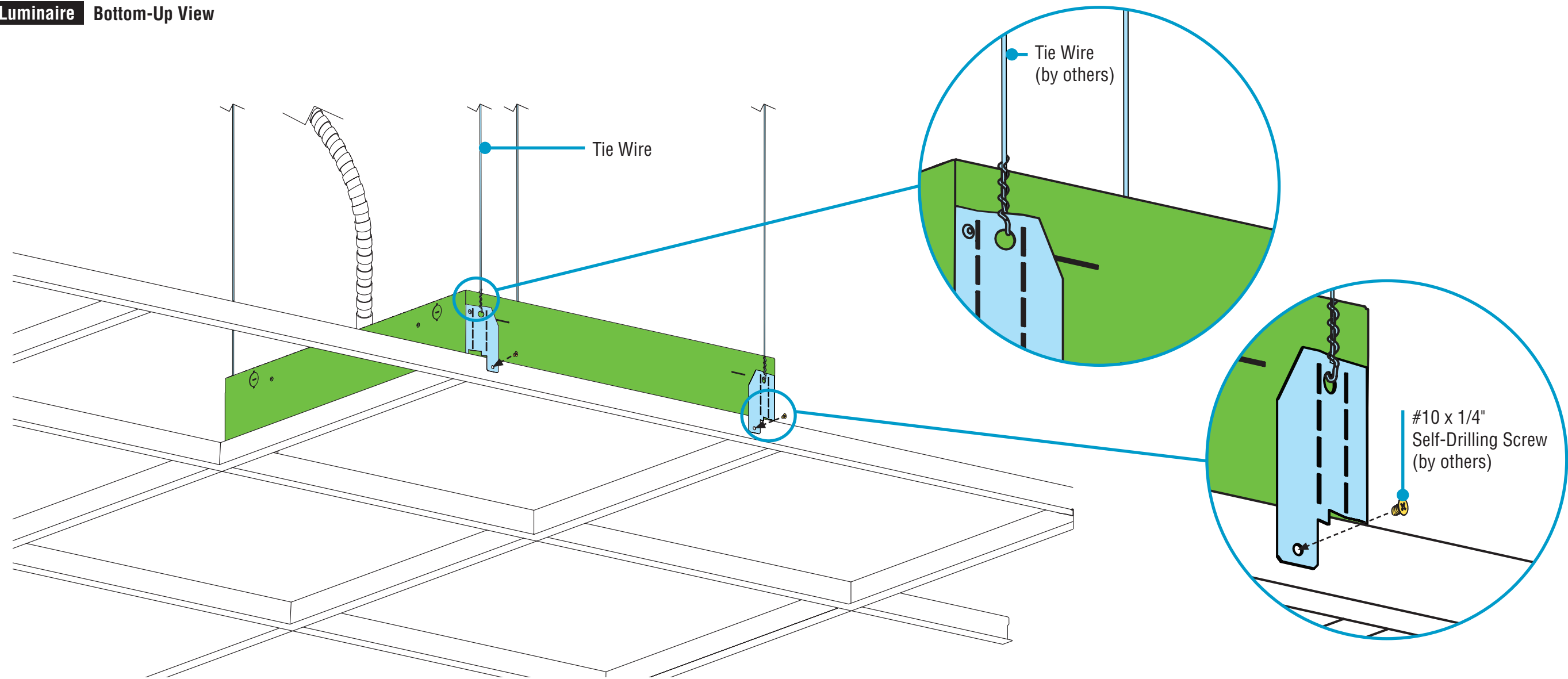
Scissor Lift
or Drywall Lift

- **FOR 3'x3' & 4'x4'**: Use of scissor lift or drywall lift recommended for installation.
- Rotate luminaire and guide luminaire through rough-in.

HPT 2'x2', 3'x3', & 4'x4' T-Bar Installation Instructions

Step 5 - Secure Luminaire

A. Secure Luminaire Bottom-Up View



- Secure tabs to the T-Bar grids using #10 x 1/4" self-drilling screws on all four corners.
- Secure luminaire to building structure using tie-wires, as per code.

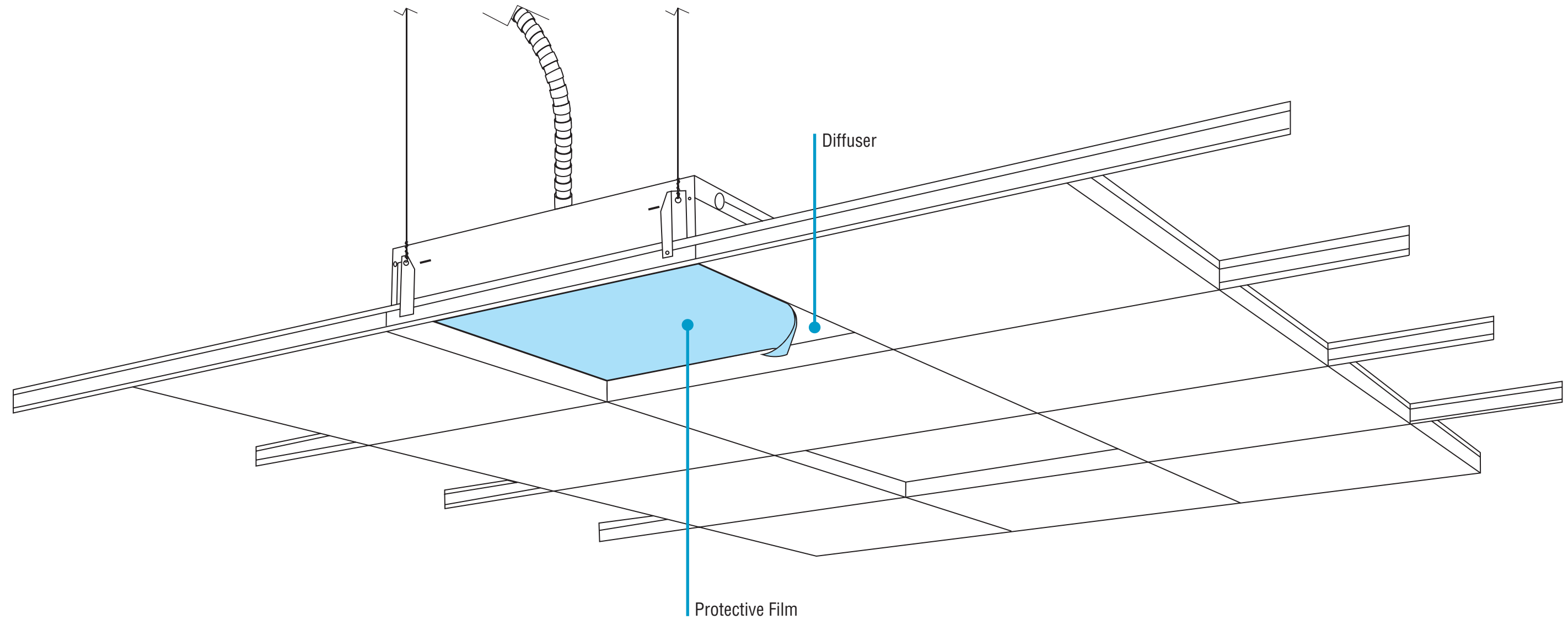
 #10 x 1/4" Self-Drilling Screw
(by others)

CONTINUED

HPT 2'x2', 3'x3', & 4'x4' T-Bar Installation Instructions

Step 5 - Secure Luminaire

B. Final Step - Remove Protective Film Bottom-Up View



- Remove protective film carefully.
- Turn power on to luminaire.