

HPT 2'x2', 3'x3', & 4'x4' LED Engine Replacement Instructions

Overview

NOTES

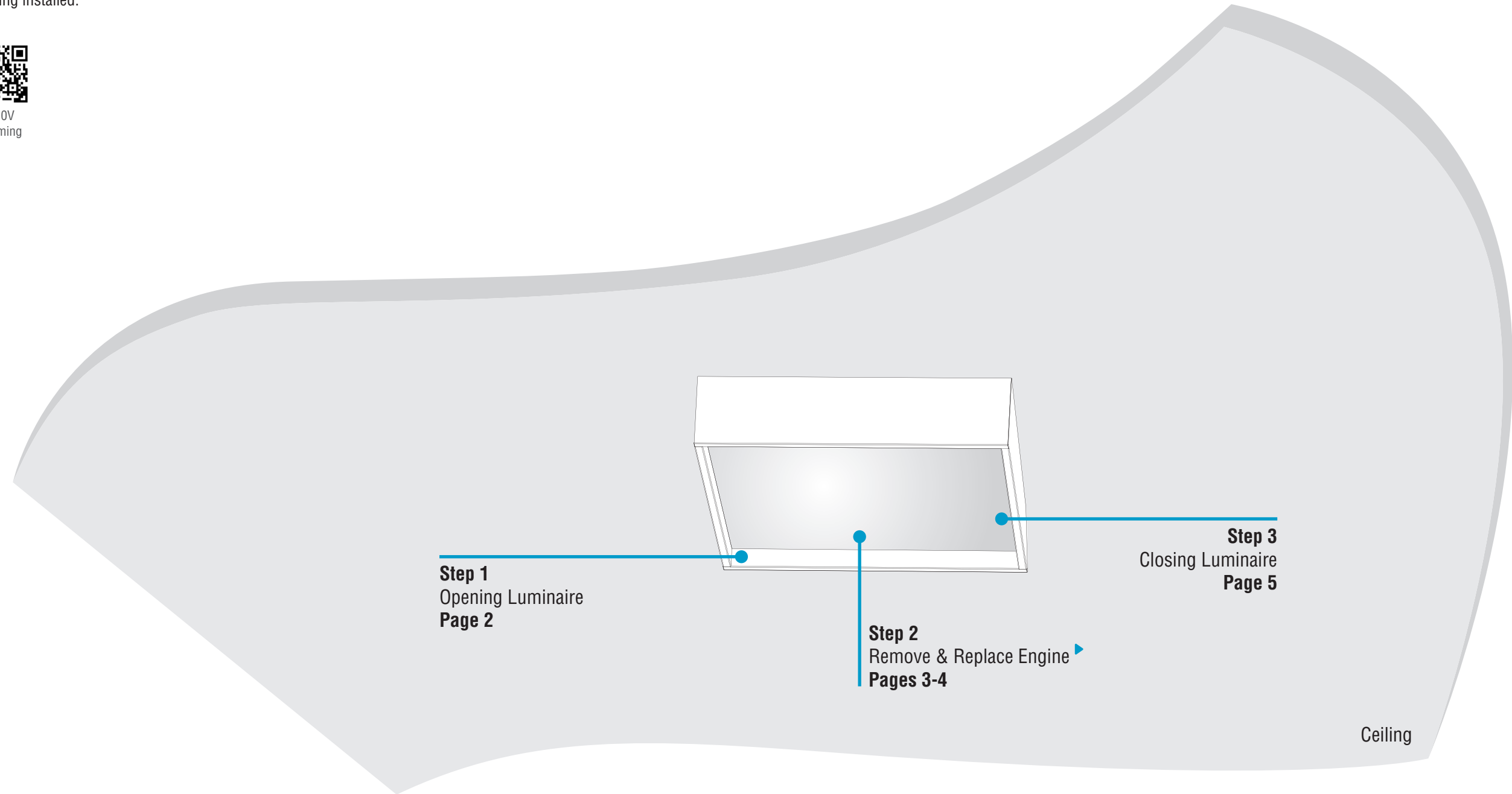
- All power connections should be installed according to local/national codes by a Certified Electrician.
- This installation requires **proper support** as each luminaire is being installed.



HELPFUL
VIDEO



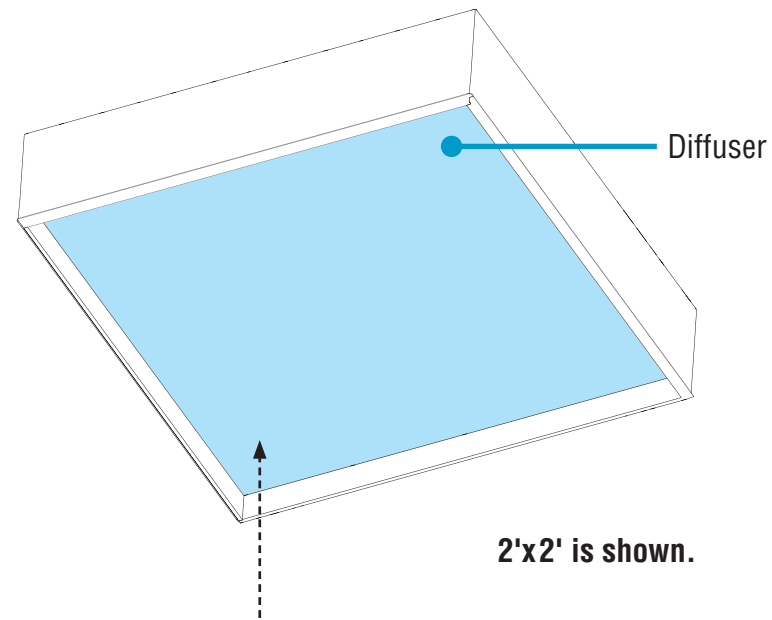
0-10V
Dimming



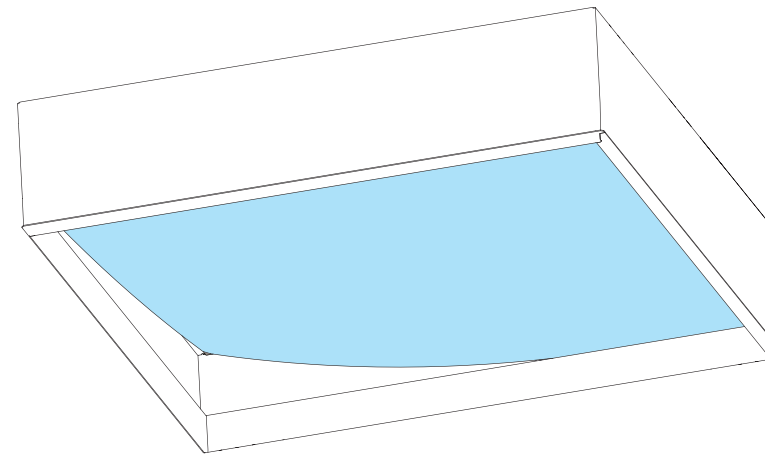
HPT 2'x2', 3'x3', & 4'x4' LED Engine Replacement Instructions

Step 1 - Opening Luminaire

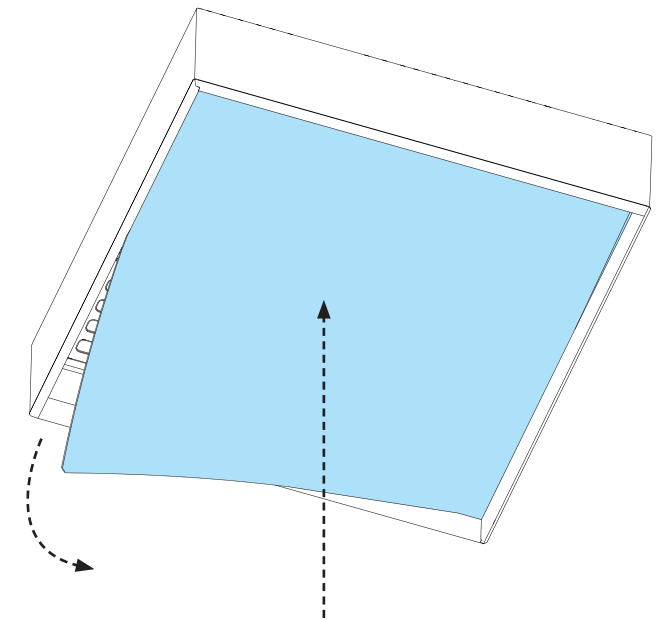
Remove Diffuser Bottom-Up View



- **CAUTION:** Wear gloves to keep diffuser surface clean.
- Turn power off to luminaire.
- Gently push any corner of the diffuser upward into the body.



- Once the diffuser is pushed up, grab the corner of the diffuser using your finger as a hook.



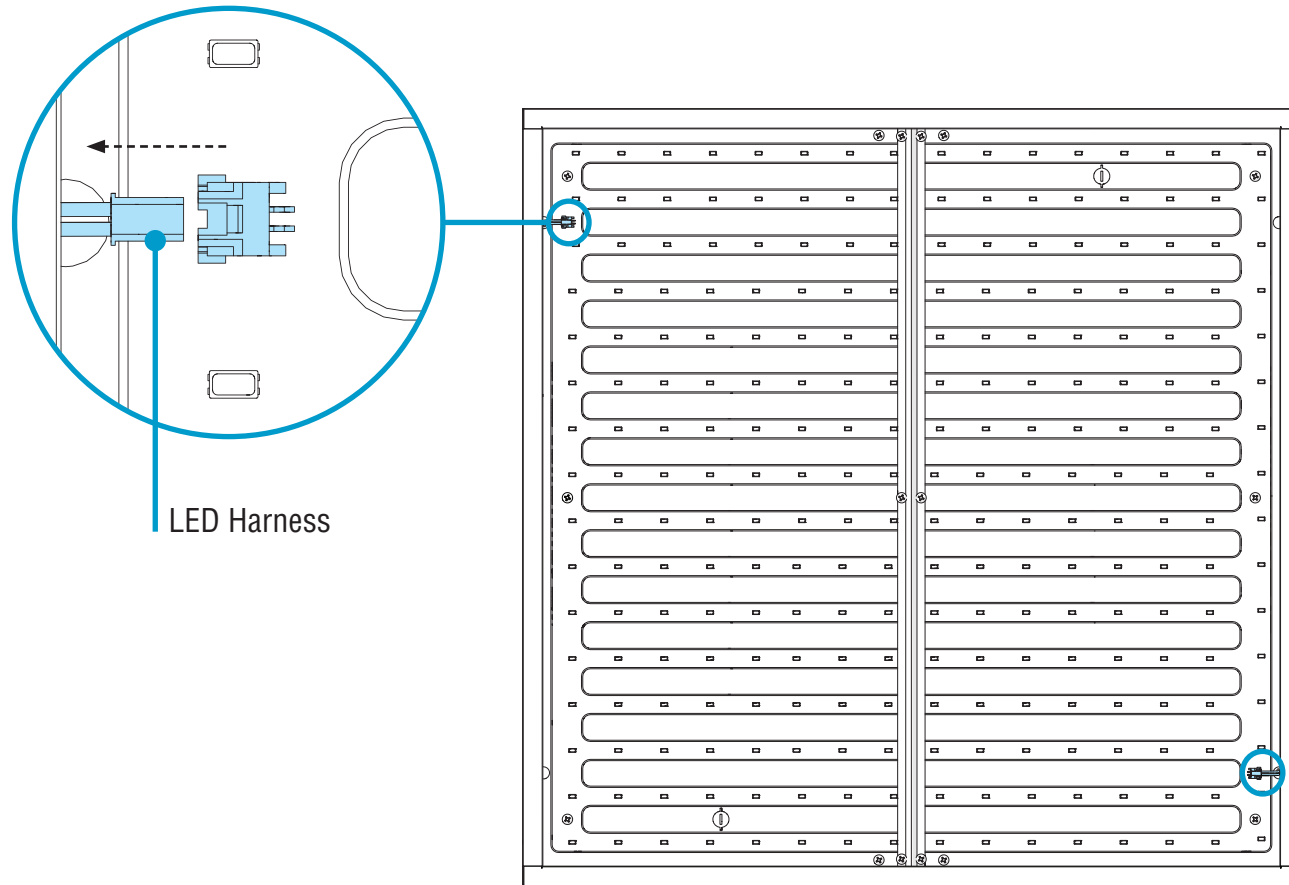
- Once the corner is hooked, gently press the center of the diffuser upward into the body. At the same time, pull the hooked corner out of the body as you gently bend the diffuser.
- Continue pulling from one corner to the next in order to dislodge the diffuser with a zipper-like motion until the diffuser is completely removed.
- Set aside all diffusers to prevent from getting dirty or damaged.
- Ensure diffuser can be clearly identified back to its corresponding luminaire.

HPT 2'x2', 3'x3', & 4'x4' LED Engine Replacement Instructions

Step 2 - Remove & Replace Engine

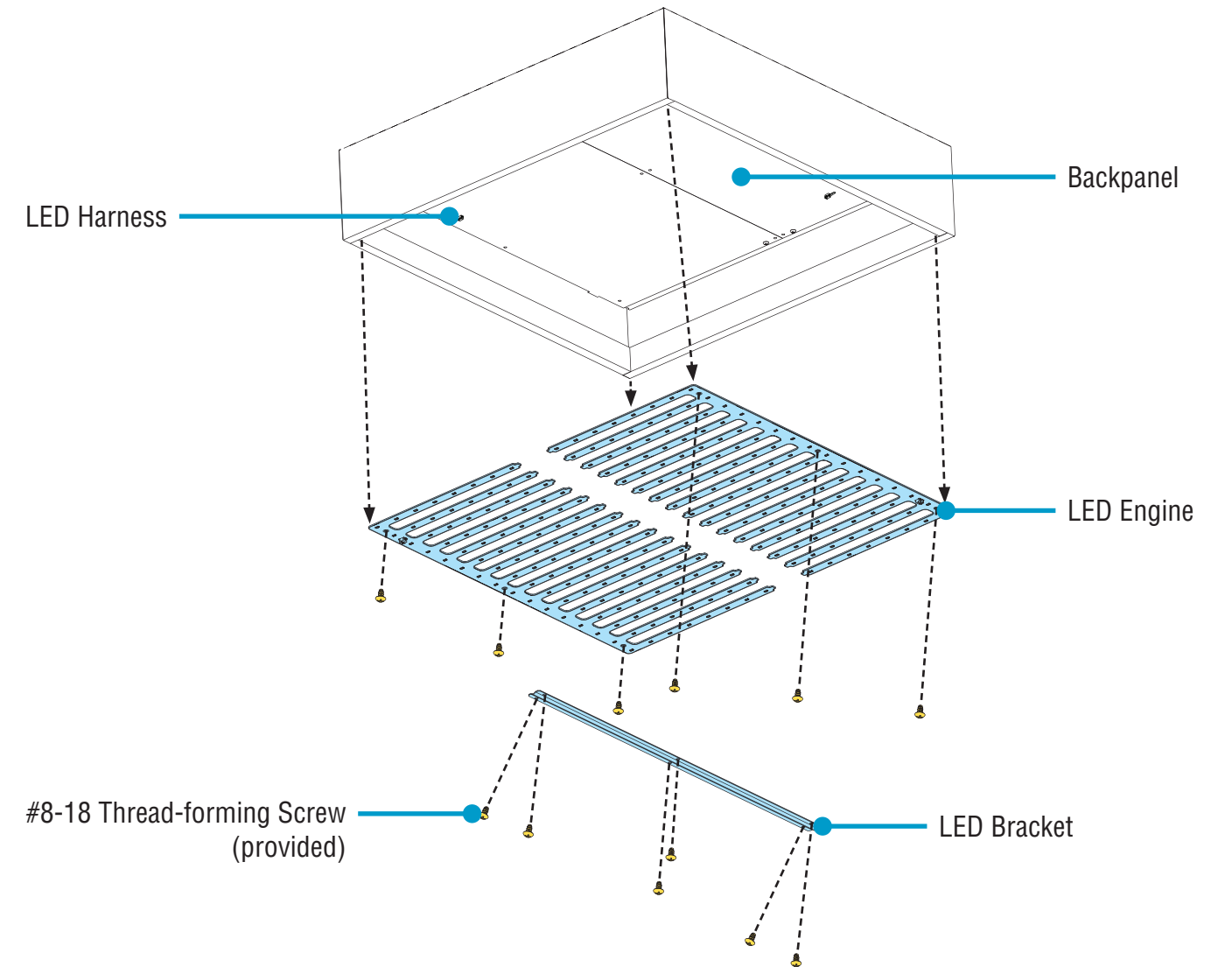
Remove & Replace Engine Bottom-Up View

2'x2'



- Disconnect LED Harnesses.

2'x2'



- Remove old LED engines and LED bracket from backpanel by removing the #8-18 thread-forming screws.
- Reinstall new LED engines and LED bracket onto backpanel by replacing the #8-18 thread-forming screws.
- Reconnect LED harnesses.

CONTINUED



0-10V
Dimming

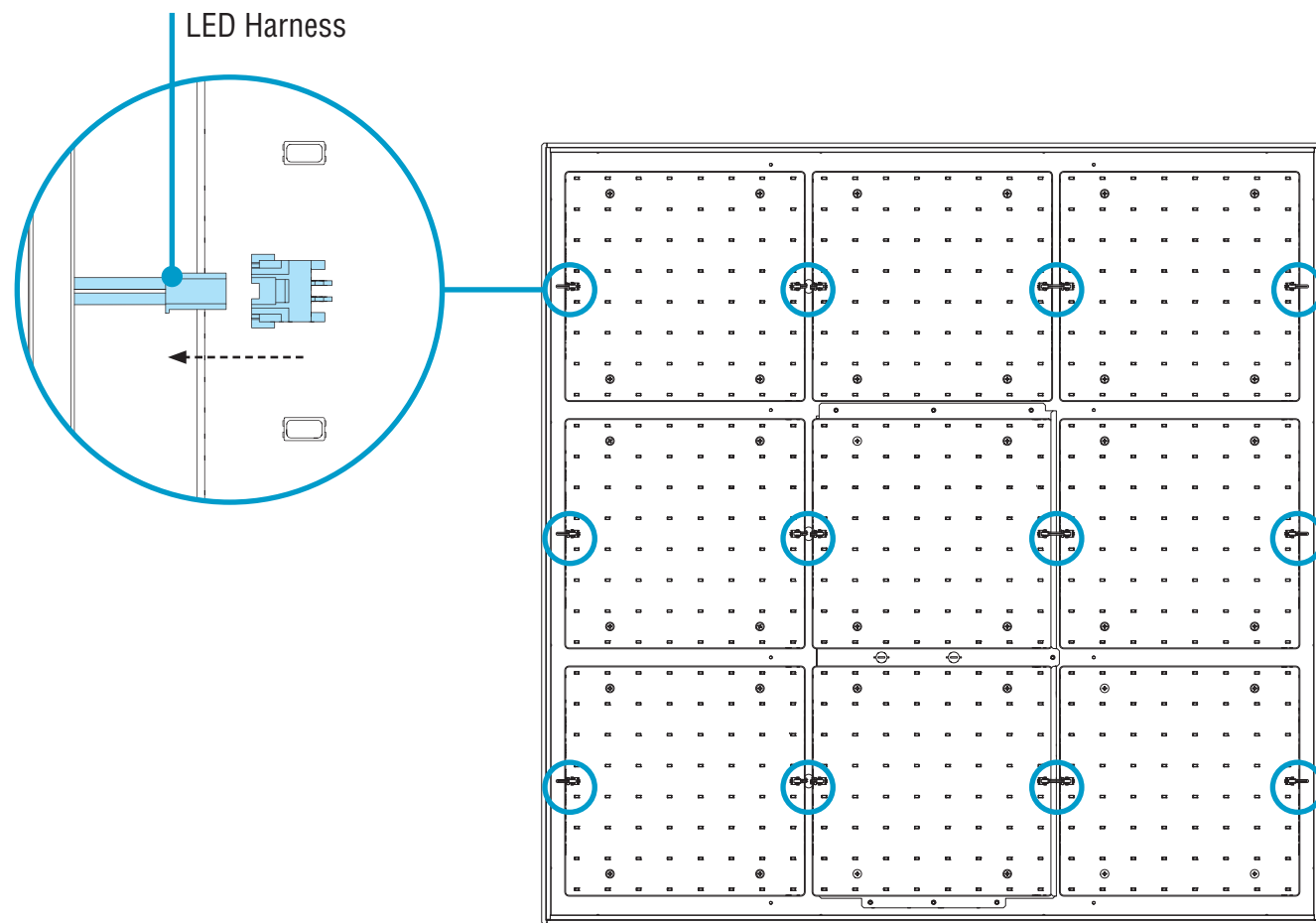
3 of 5

HPT 2'x2', 3'x3', & 4'x4' LED Engine Replacement Instructions

Step 2 - Remove & Replace Engine

Remove & Replace Engine - Continued Bottom-Up View

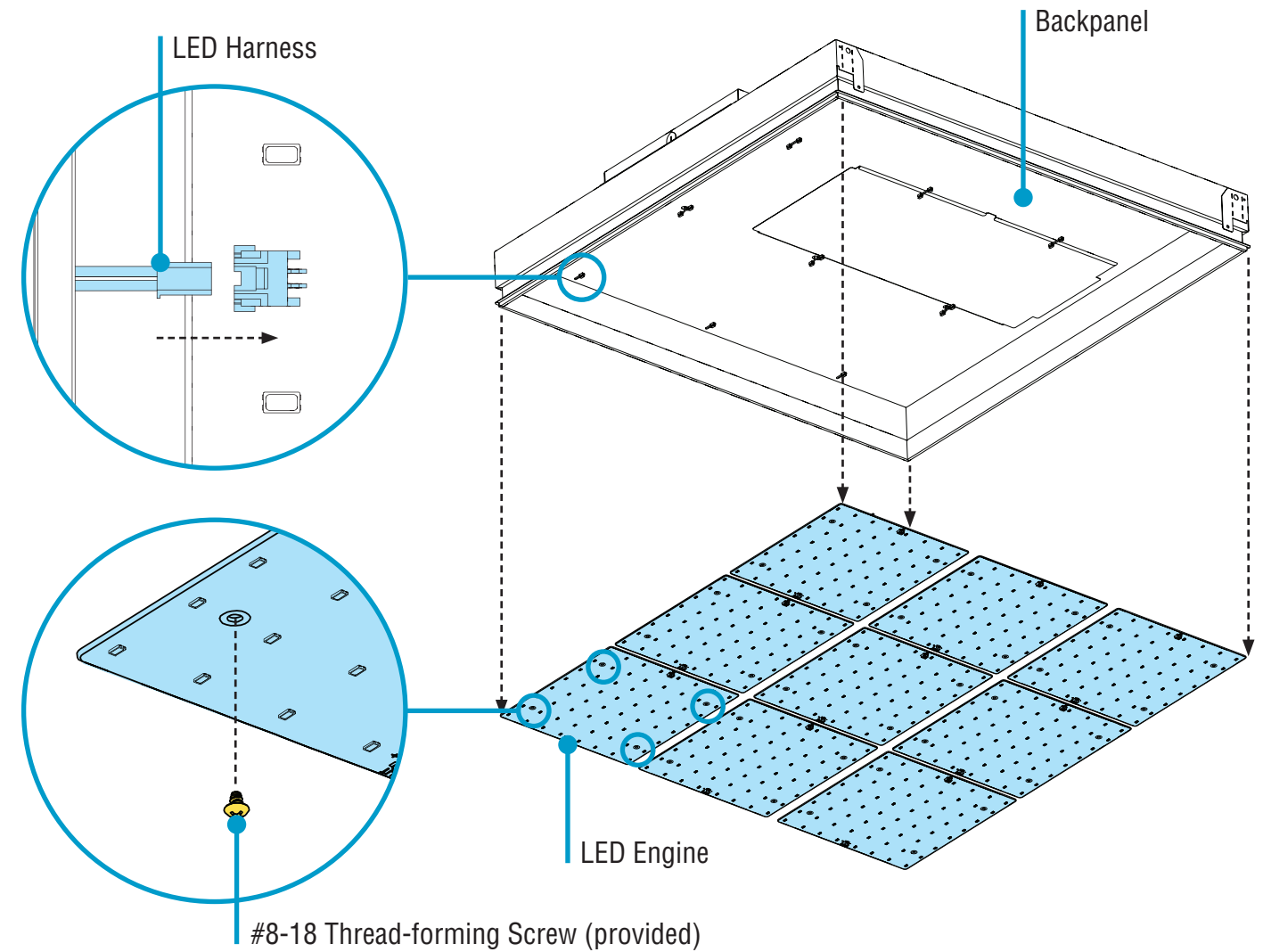
3'x3' & 4'x4'



3'x3' is shown.

- Disconnect LED Harnesses.

3'x3' & 4'x4'



- Remove old LED engines from backpanel by removing the #8-18 thread-forming screws.
- **NOTE:** 3'x3' has 36 screws in total and 4'x4' has 48 screws in total (4 per LED engine).
- Reinstall new LED engines onto backpanel by replacing the #8-18 thread-forming screws.
- Reconnect LED harnesses.

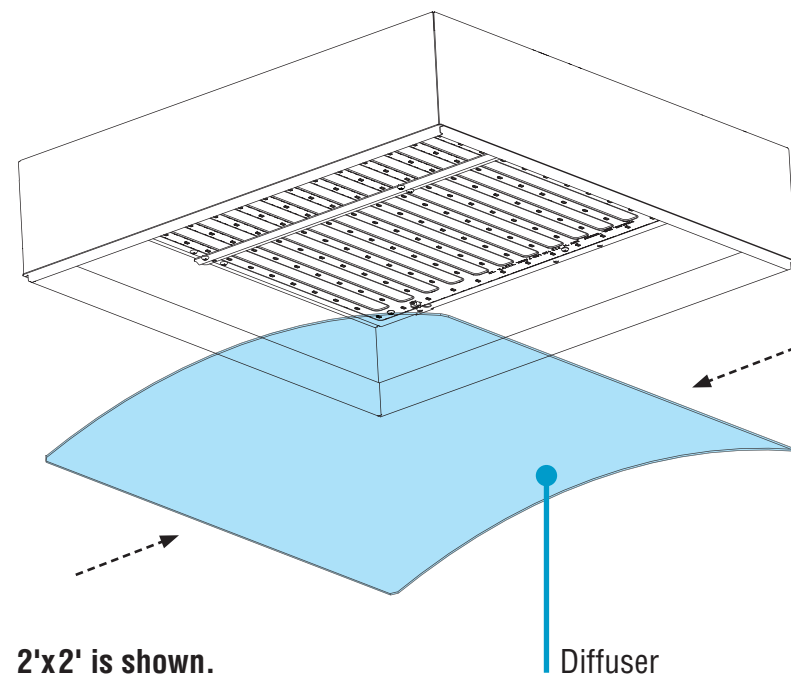


0-10V
Dimming

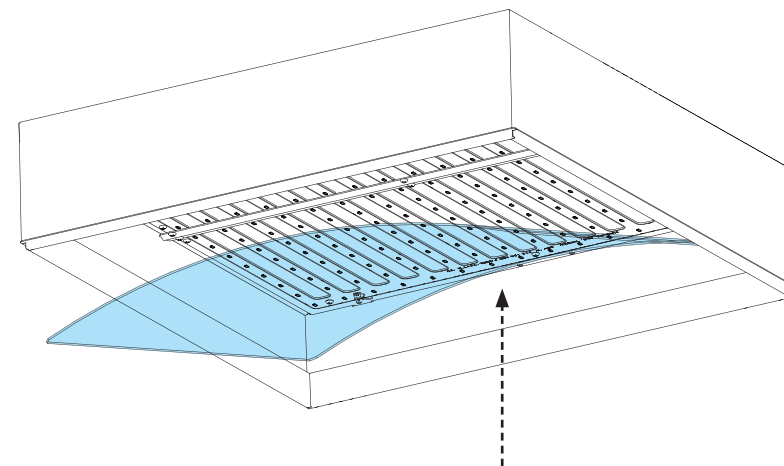
HPT 2'x2', 3'x3', & 4'x4' LED Engine Replacement Instructions

Step 3 - Closing Luminaire

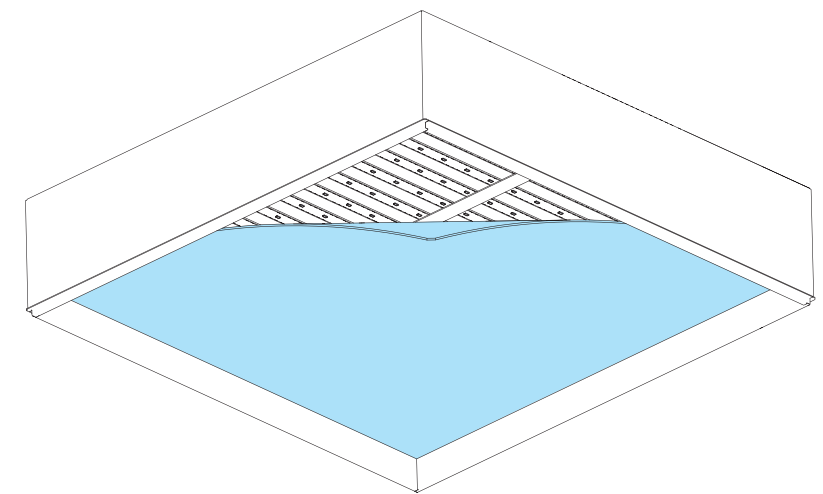
Final Step - Replace Diffuser Bottom-Up View



- **CAUTION:** Wear gloves to keep diffuser surface clean.
- **CRITICAL:** Be sure to install correct diffuser to its corresponding luminaire ID.
- Hold diffuser on either side as indicated by the arrows.
- Gently bend diffuser.



- Place one edge of the diffuser into the luminaire.
- Push the rest of the diffuser into the luminaire from one corner to the next.



- Push a corner into the luminaire and then work your way across diffuser to the next corner.
- Turn power on to luminaire.