

HPT 2'x2', 3'x3', & 4'x4' Drywall Installation Instructions

Overview

NOTES

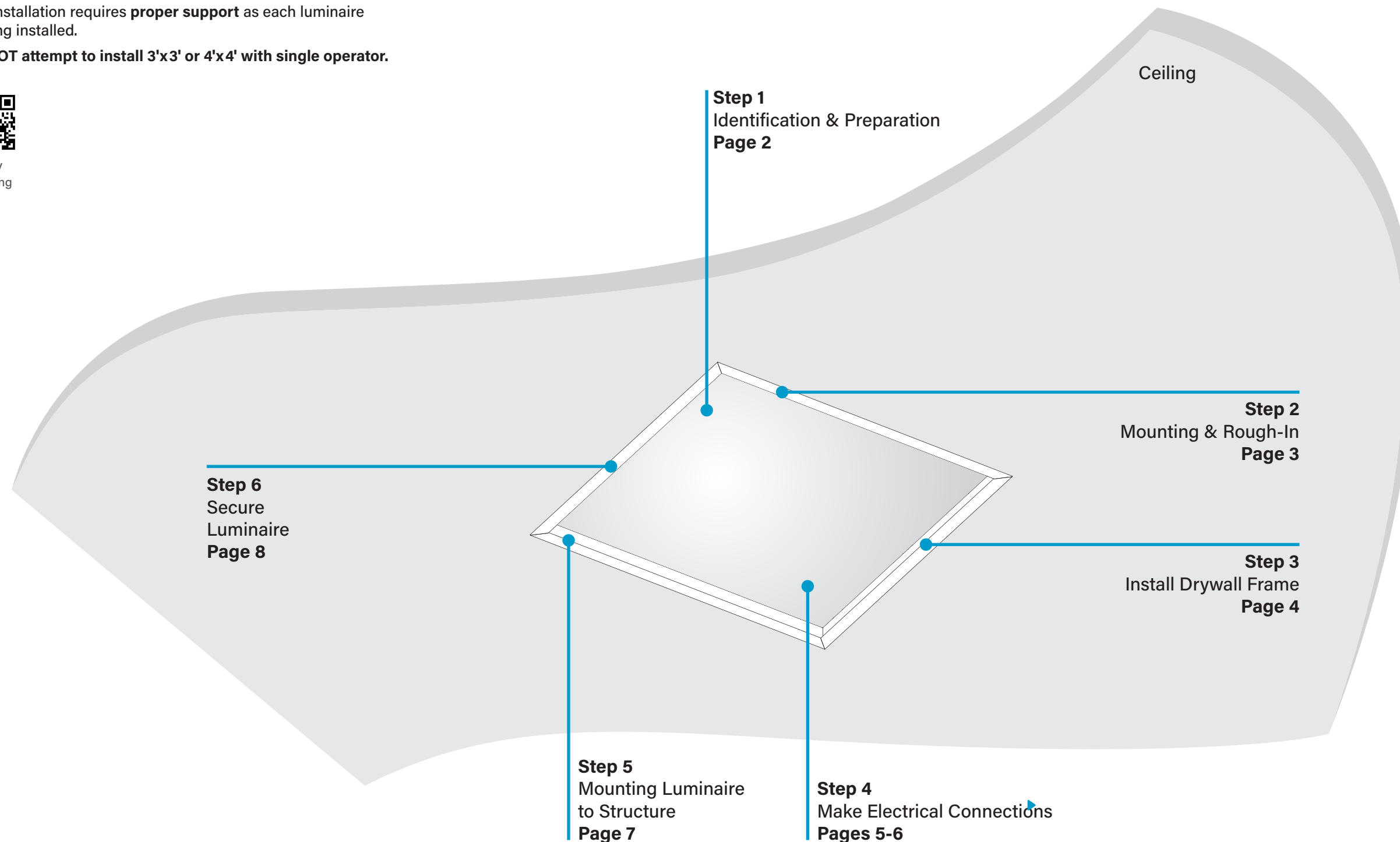
- All power connections should be installed according to local/national codes by a Certified Electrician.
- This installation requires **proper support** as each luminaire is being installed.
- **DO NOT attempt to install 3'x3' or 4'x4' with single operator.**



HELPFUL
VIDEO



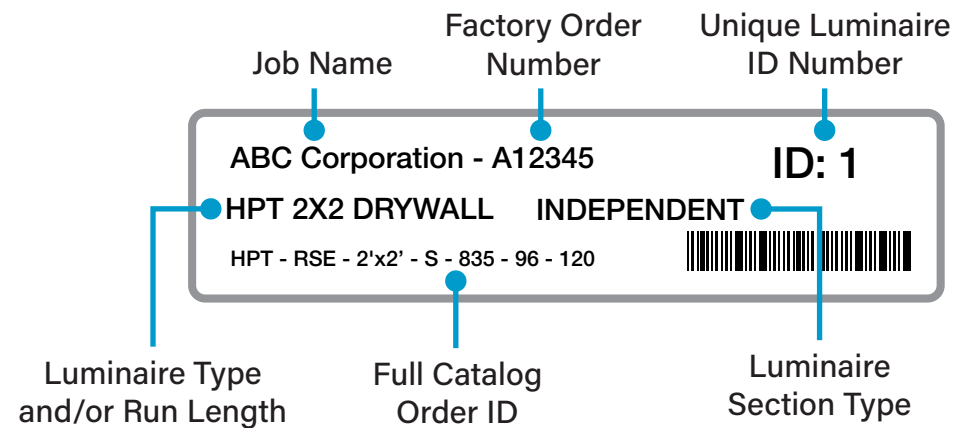
0-10V
Dimming



HPT 2'x2', 3'x3', & 4'x4' Drywall Installation Instructions

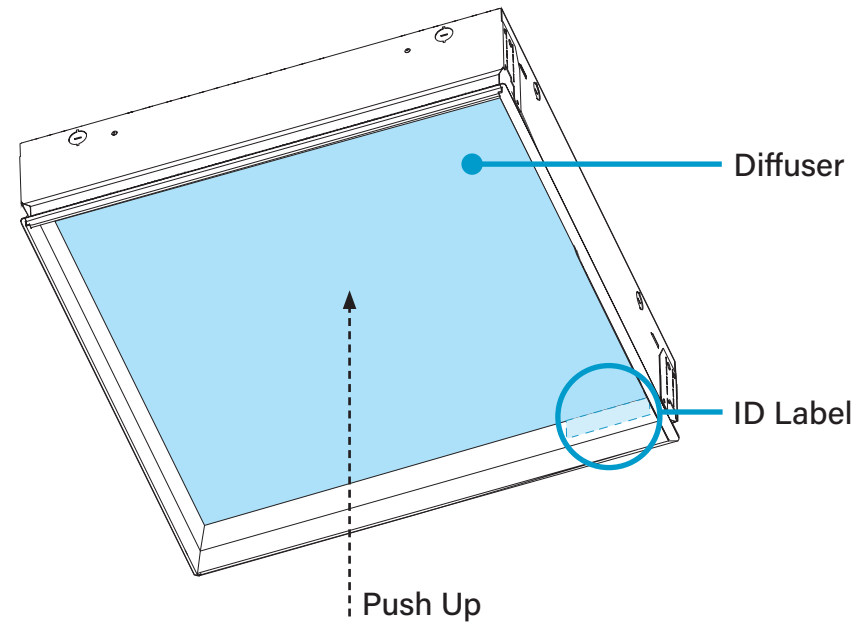
Step 1 - Identification & Preparation

A. Identify Luminaire



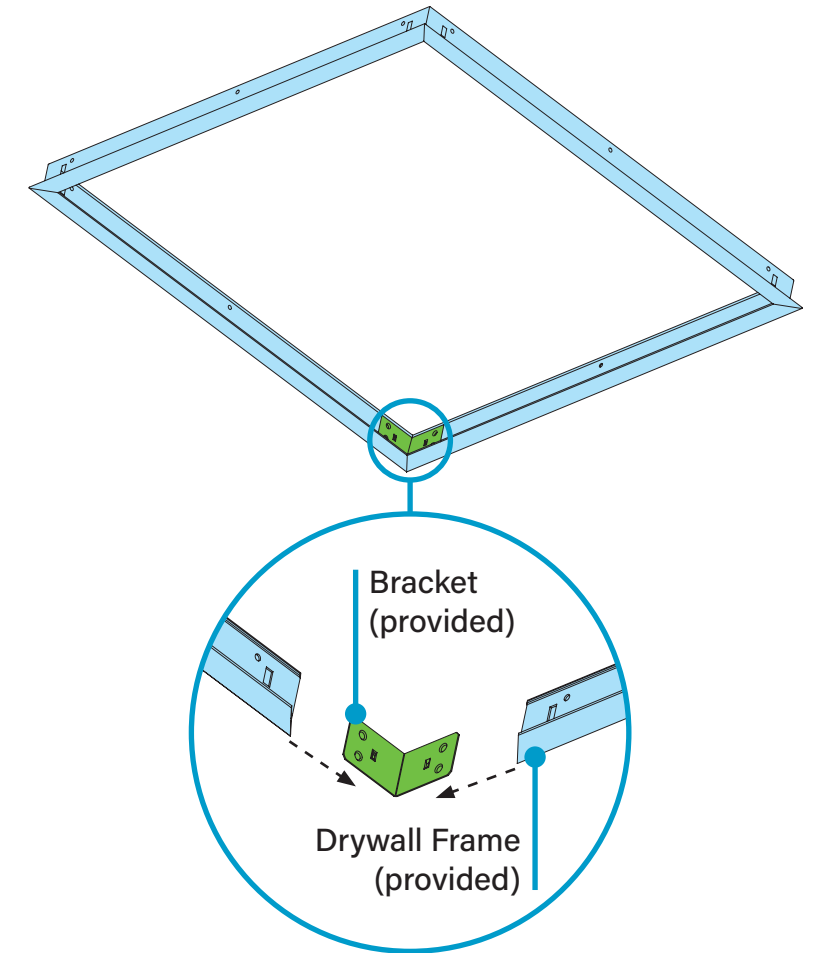
- Identify all luminaires by their ID label that can be found on box and inside luminaire.
- **NOTE: Exact location of labels in these areas may vary.**
- Remove luminaire from box.
- Refer to Record Drawings that can be found in hardware kit.

B. Locate ID Label Bottom-Up View



- Push up diffuser to locate ID label inside luminaire.

C. Assemble Drywall Frame Bottom-Up View



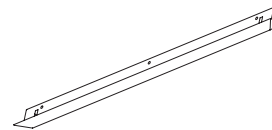
- Slide drywall frame pieces onto brackets until they lock into place.

Kitted Hardware

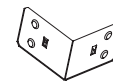
- Finelite has provided items listed here, with their Finelite part numbers. These items can be found in separate boxes shipped with the luminaire.
- Account for all parts and set aside until they are needed.
- All other hardware needed for this installation will be by others.



#10-32 x 3/8" Pan Phillips Type F
Part# 92108
Make Electrical Connections
p. 5-6, Step 4



Drywall Frame Piece
2'x2' - Part# 64166 (QTY 4)
3'x3' - Part# 64789 (QTY 4)
4'x4' - Part# 64168 (QTY 4)
Identification & Preparation
p. 2, Step 1
Install Drywall Frame
p. 4, Step 3

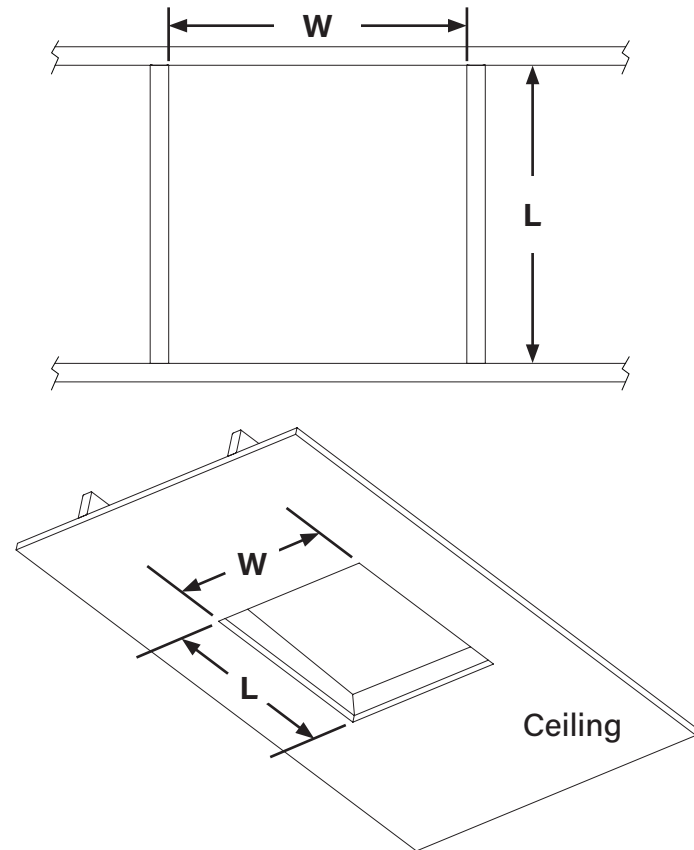


Bracket
Part# 64169
Identification & Preparation
p. 2, Step 1

HPT 2'x2', 3'x3', & 4'x4' Drywall Installation Instructions

Step 2 - Mounting & Rough-In

A. Mounting Measurements Bottom-Up View

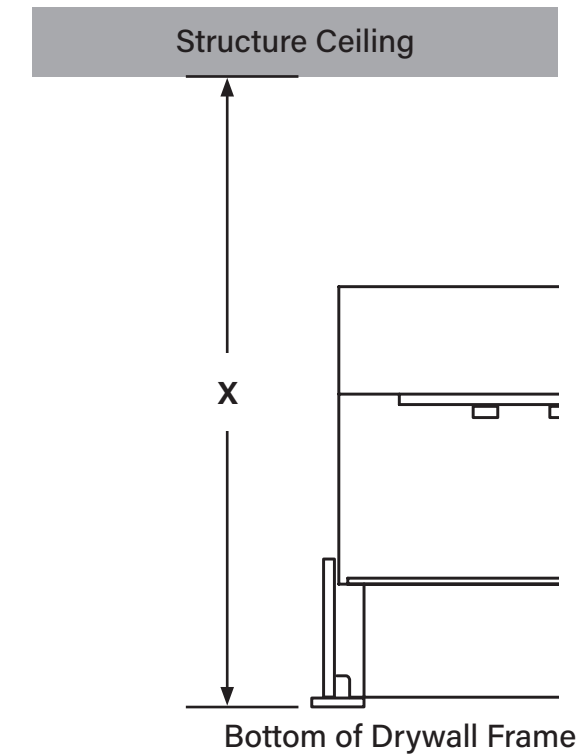


Luminaire Size (ft)	W (in)	L (in)
2x2	24-3/16	24-3/16
3x3	36-3/16	36-3/16
4x4	48-3/16	48-3/16

Tolerance: +/- 1/8"

- Refer to Record Drawings and building plans to determine exact mounting and power feed locations.
- Using proper backing, Drywall or weak paneling must be secured to support blocking (studs) around wall/ceiling.

B. Drywall Frame Clearance Side View



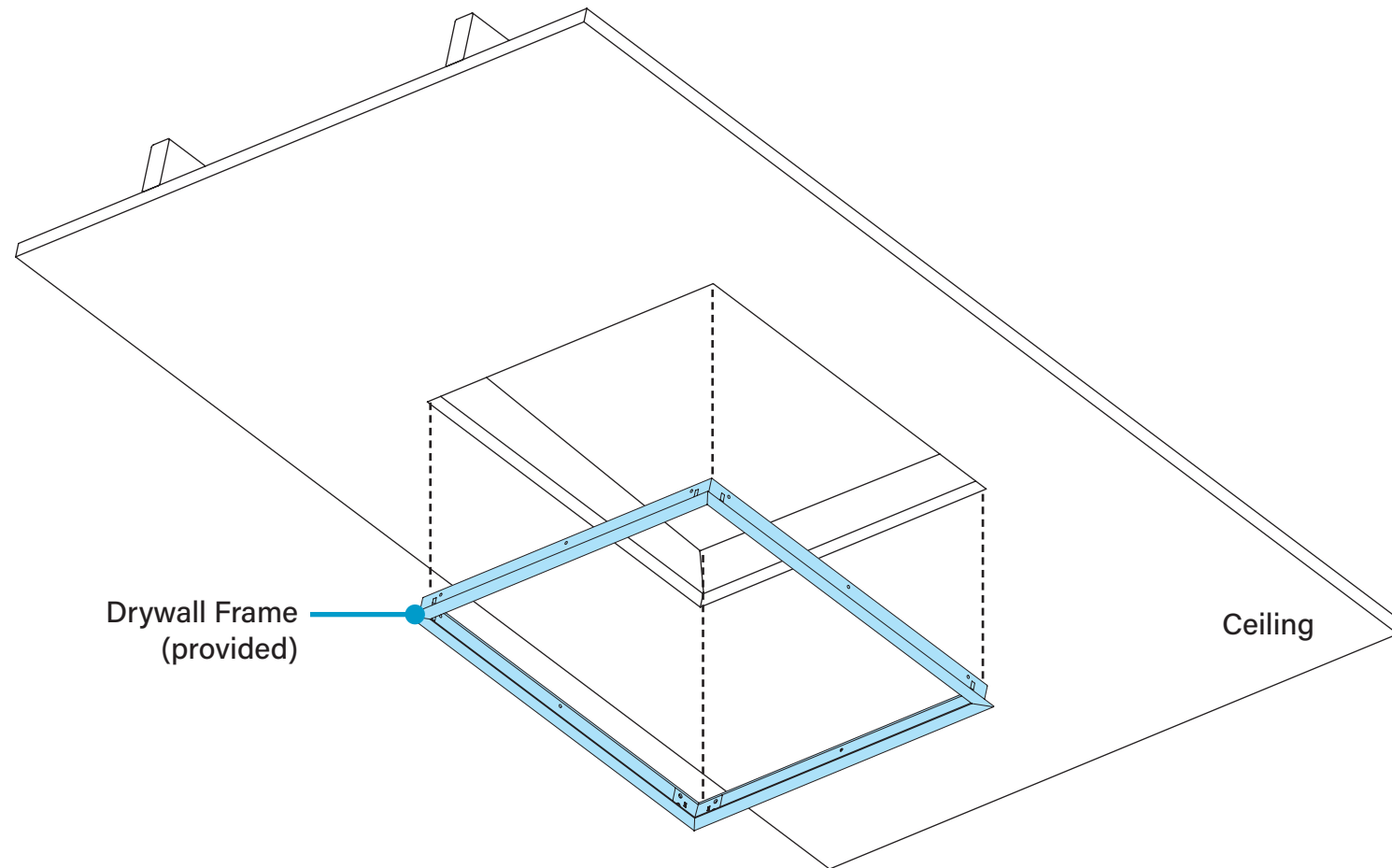
Luminaire Size (ft)	Minimum Height
	X (in)
2x2	18
3x3	19
4x4	19

- Minimum height is measured from bottom of drywall frame to structure ceiling.

HPT 2'x2', 3'x3', & 4'x4' Drywall Installation Instructions

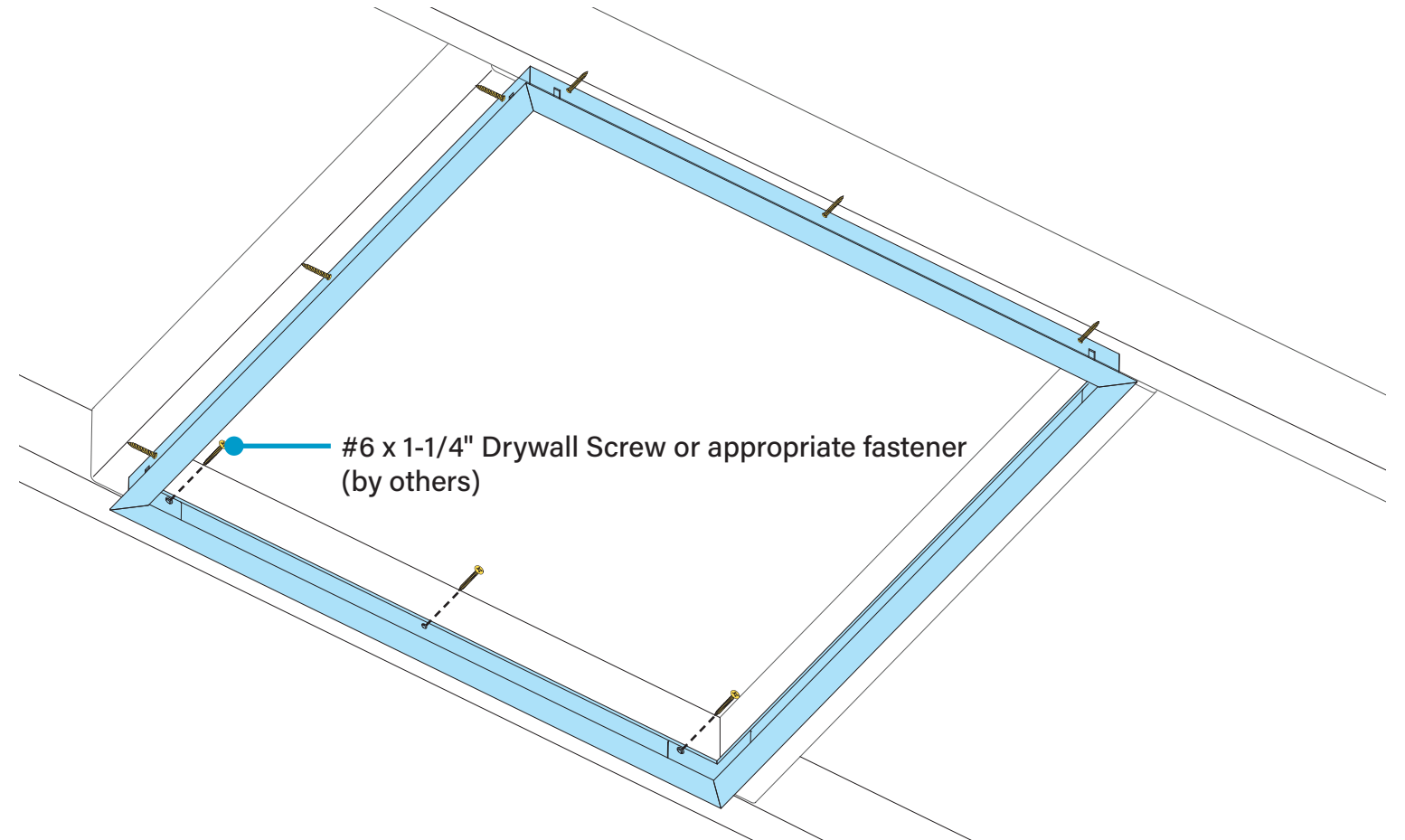
Step 3 - Install Drywall Frame

A. Install Drywall Frame Bottom-Up View

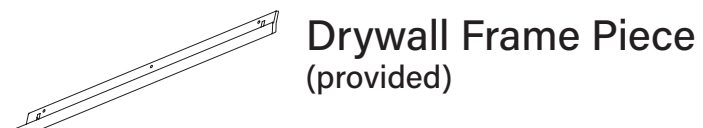
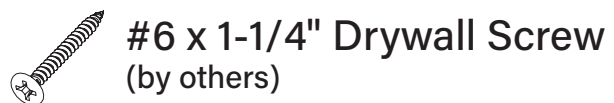


- Fit drywall frame to backing into rough-in opening.

B. Secure Drywall Frame Bottom-Up View



- Fasten drywall frame to support blocking using proper fasteners through holes in the drywall frame kit.
- Secure using three #6 x 1-1/4" drywall screws or appropriate fasteners on each side of the drywall frame.



HPT 2'x2', 3'x3', & 4'x4' Drywall Installation Instructions

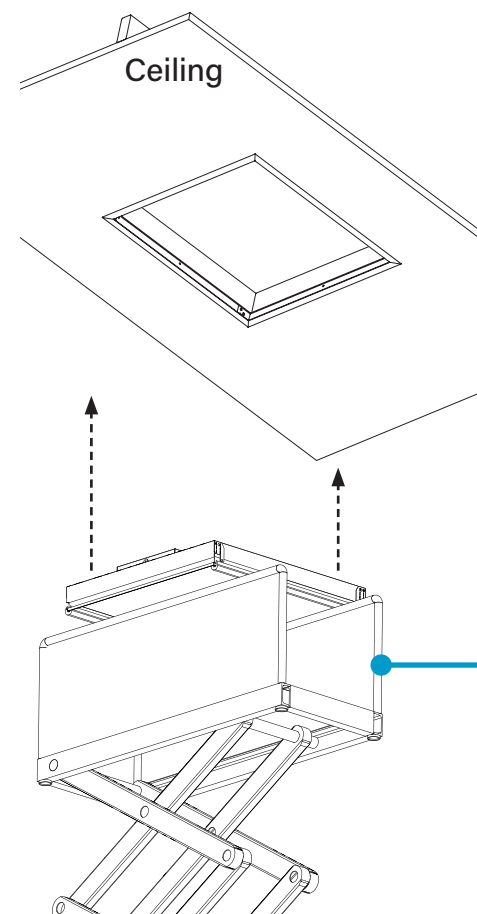
Step 4 - Make Electrical Connections

A. Raise Luminaire Bottom-Up View



DO NOT attempt to install 3'x3' or 4'x4' with single operator.

CAUTION

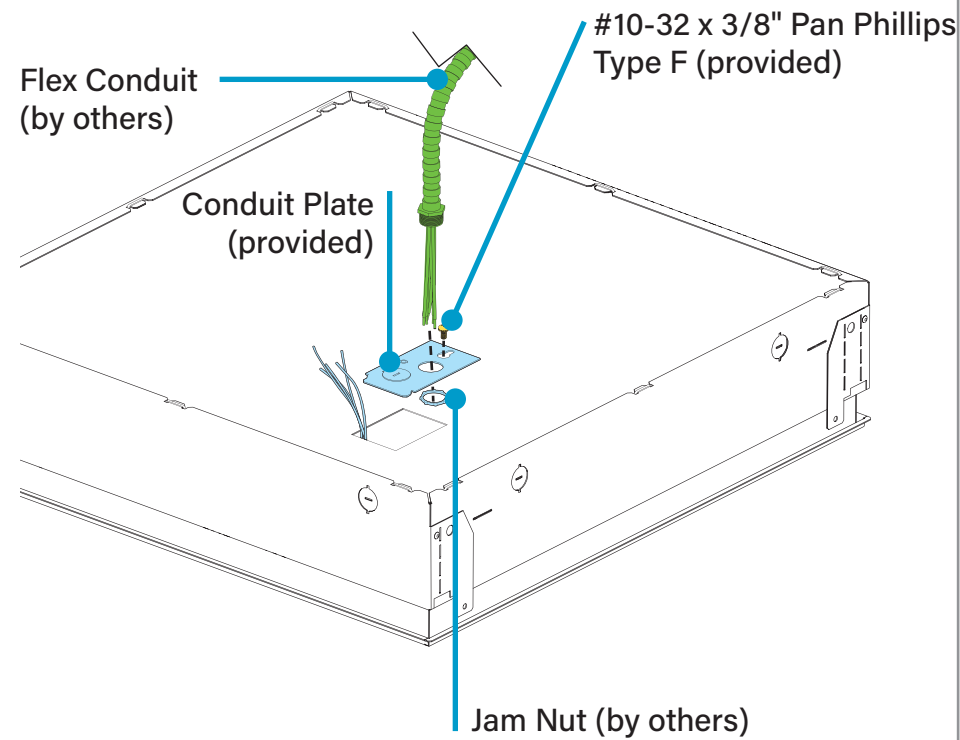


Scissor Lift or Drywall Lift

- **FOR 3'x3' & 4'x4':** Use of scissor lift or drywall lift recommended for installation.
- Carefully raise luminaire toward ceiling.

B. Install Power Feed Top-Down View

2'x2'



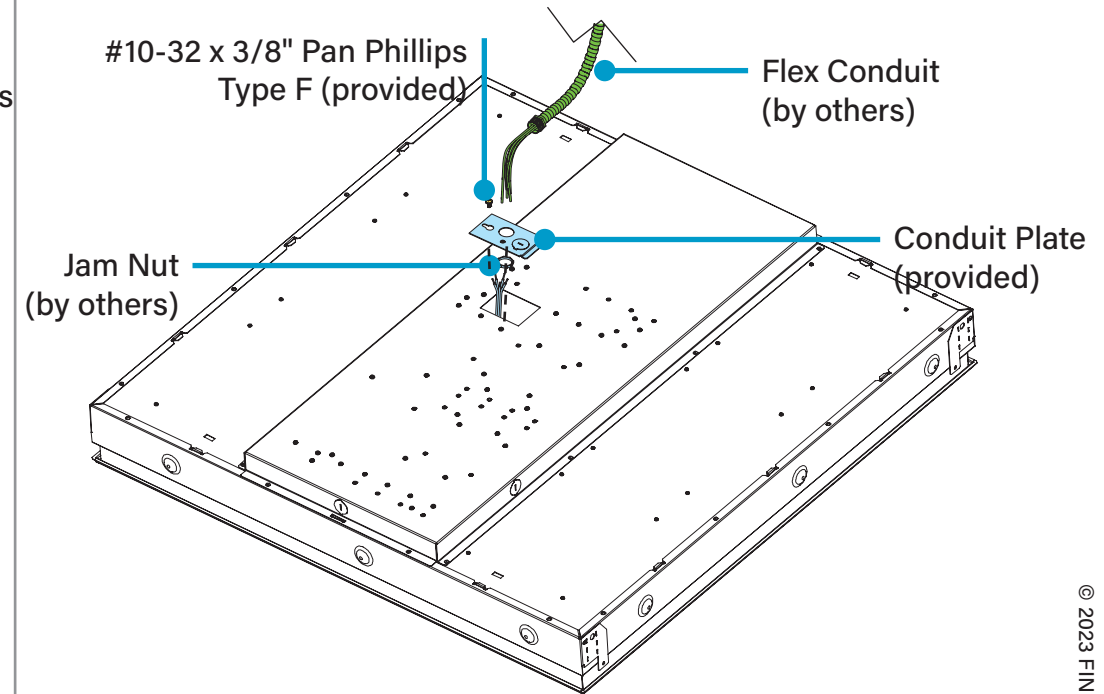
#10-32 x 3/8" Pan Phillips Type F (provided)

Jam Nut (by others)

WIRING LEGEND		
Black	Hot	Line Voltage
White	Neutral	Line Voltage
Green	Ground	
Pink	Dimming	0-10V DC
Purple	Dimming	0-10V DC

- Remove conduit plate from top of luminaire.
- Connect all necessary wiring.
- Secure flex conduit to conduit plate.

3'x3' & 4'x4'



#10-32 x 3/8" Pan Phillips Type F (provided)

Flex Conduit (by others)

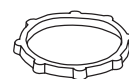
Jam Nut (by others)

Conduit Plate (provided)

WIRING LEGEND		
Black	Hot	Line Voltage
White	Neutral	Line Voltage
Green	Ground	
Pink	Dimming	0-10V DC
Purple	Dimming	0-10V DC

- Remove conduit plate from top of luminaire.
- Connect all necessary wiring.
- Secure flex conduit to conduit plate.

 #10-32 x 3/8" Pan Phillips Type F (provided)



Jam Nut (by others)



Flex Conduit (by others)

CONTINUED



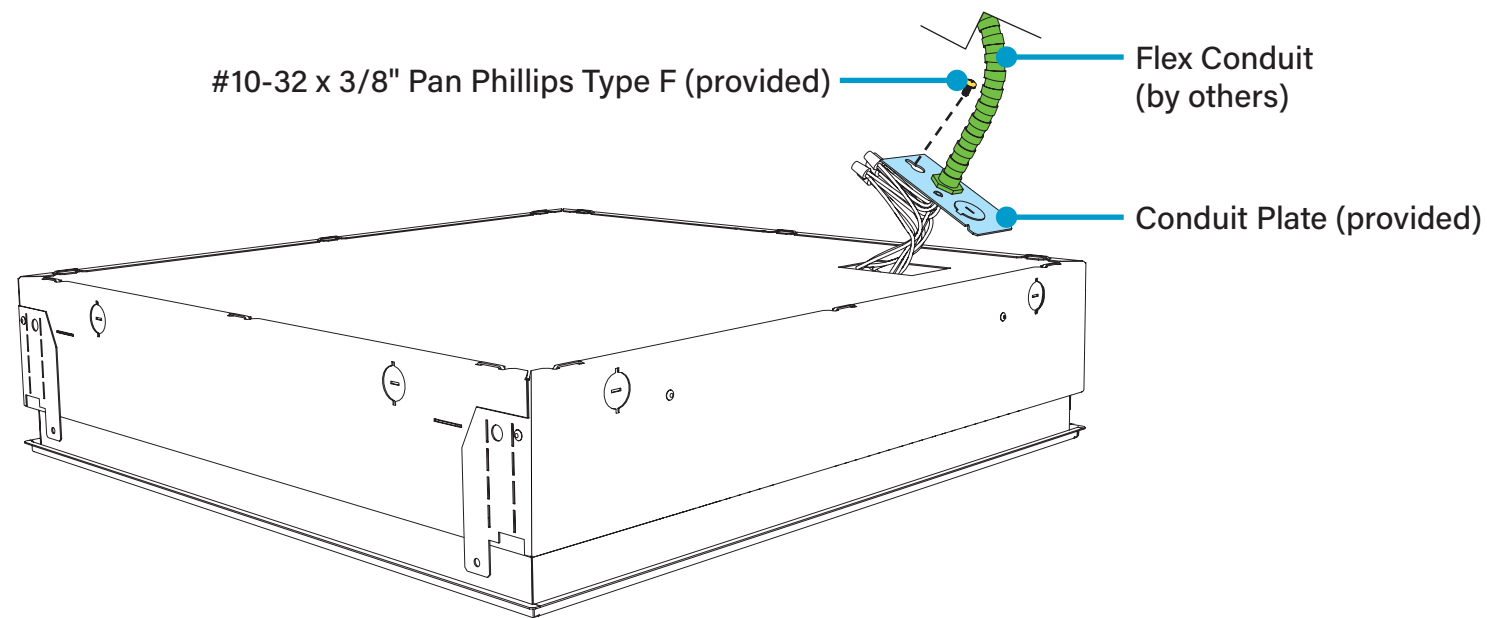
0-10V Dimming

HPT 2'x2', 3'x3', & 4'x4' Drywall Installation Instructions

Step 4 - Make Electrical Connections

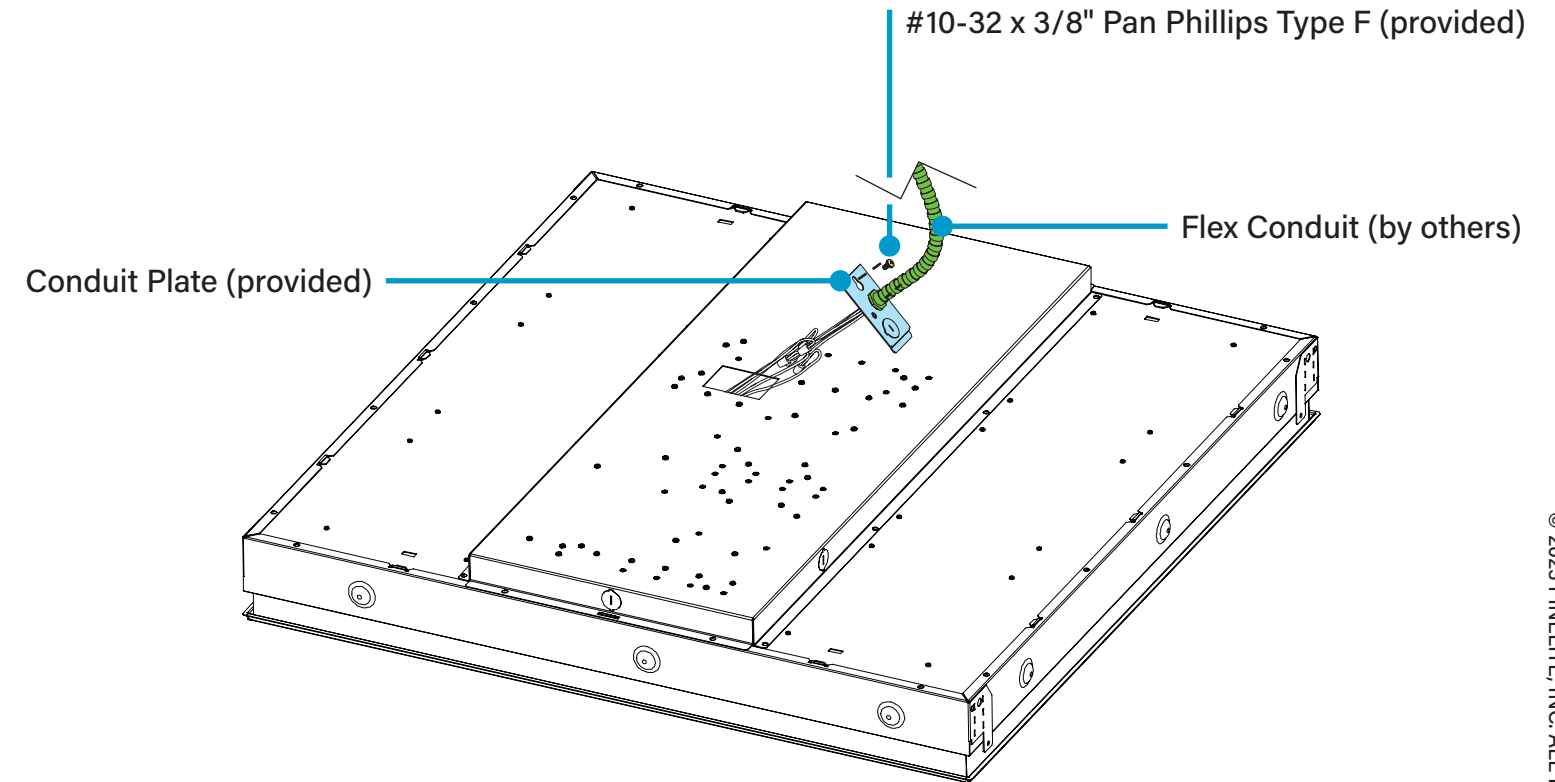
C. Reinstall Conduit Plate Top-Down View

2'x2'



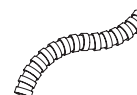
• Reinstall conduit plate by tucking wires back into luminaire and fasten conduit plate back into place.

3'x3' & 4'x4'



• Reinstall conduit plate by tucking wires back into luminaire and fasten conduit plate back into place.

 #10-32 x 3/8" Pan Phillips Type F (provided)

 Flex Conduit (by others)

HPT 2'x2', 3'x3', & 4'x4' Drywall Installation Instructions

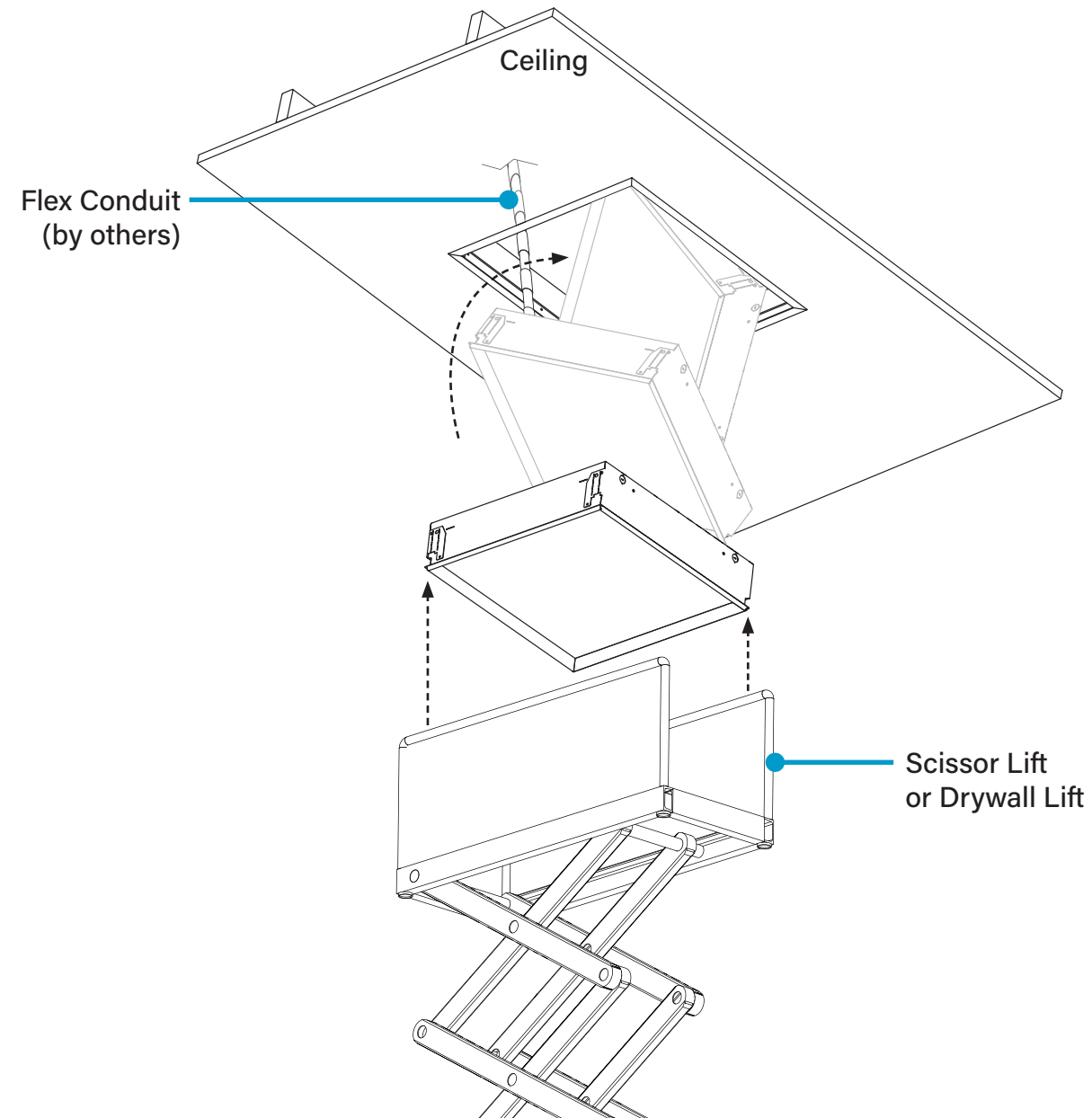
Step 5 - Mounting Luminaire to Structure

Mount Luminaire to Structure Bottom-Up View



CAUTION

DO NOT attempt to install 3'x3' or 4'x4' with single operator.



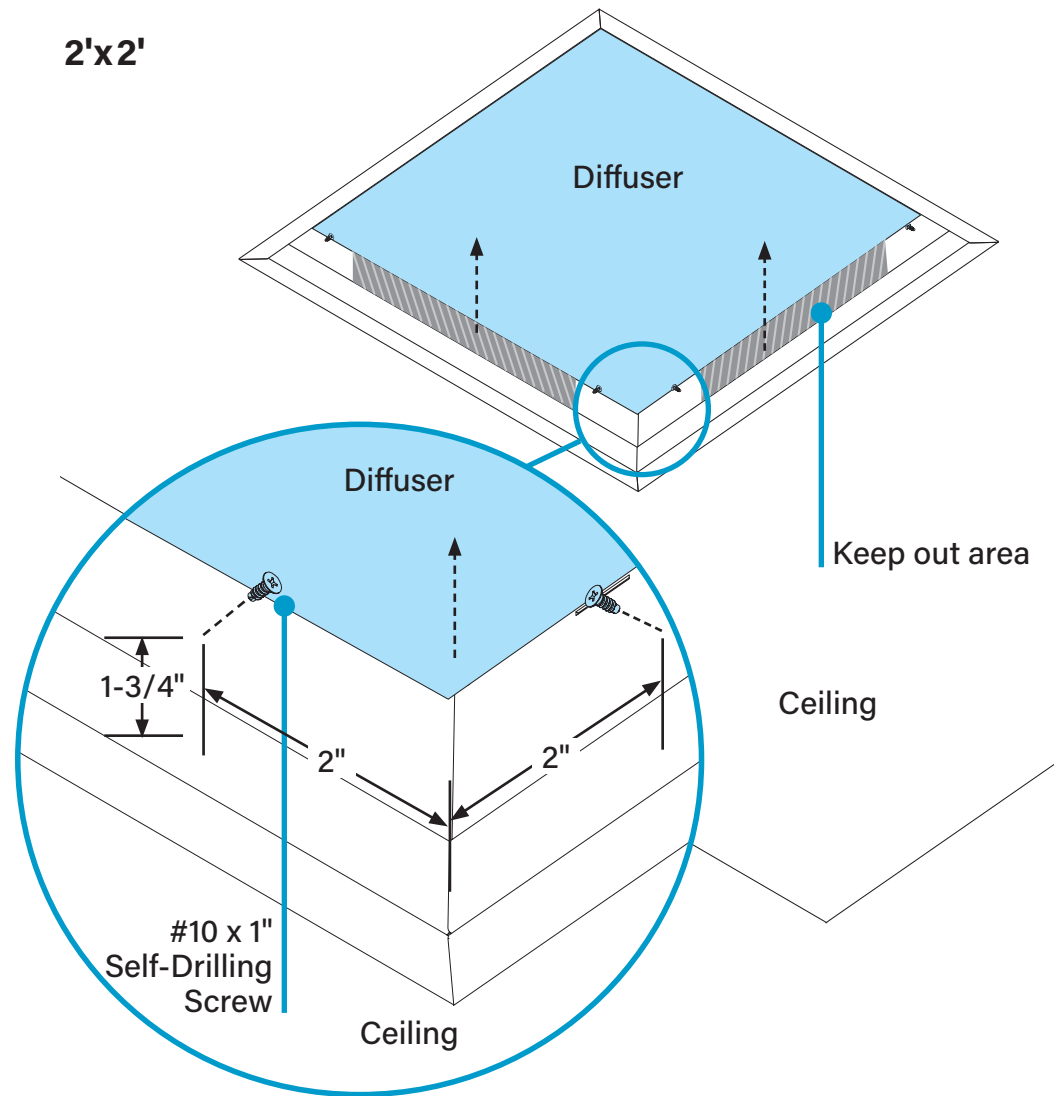
- **FOR 3'x3' & 4'x4':** Use of scissor lift or drywall lift recommended for installation.
- Rotate luminaire and guide luminaire through rough-in.

HPT 2'x2', 3'x3', & 4'x4' Drywall Installation Instructions

Step 6 - Secure Luminaire

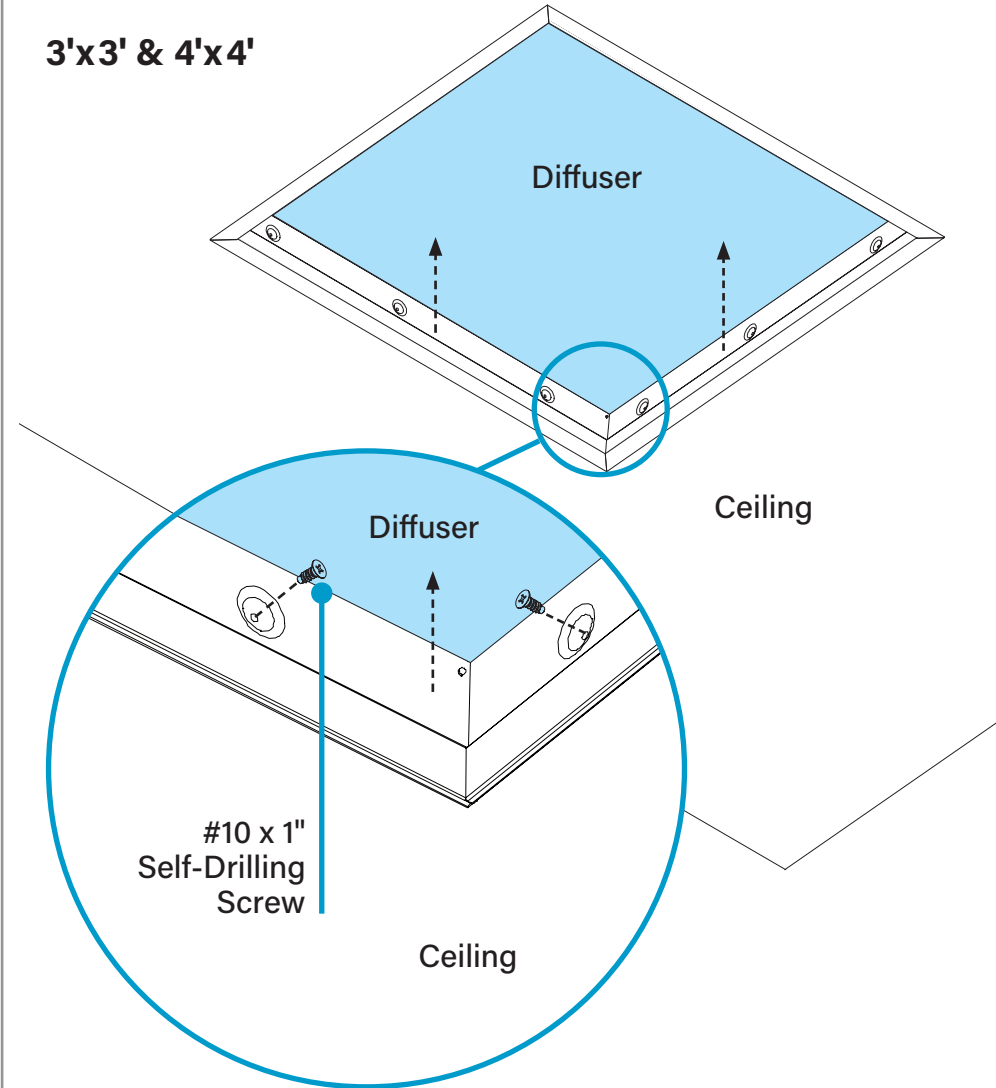
A. Secure Luminaire Bottom-Up View

2'x2'



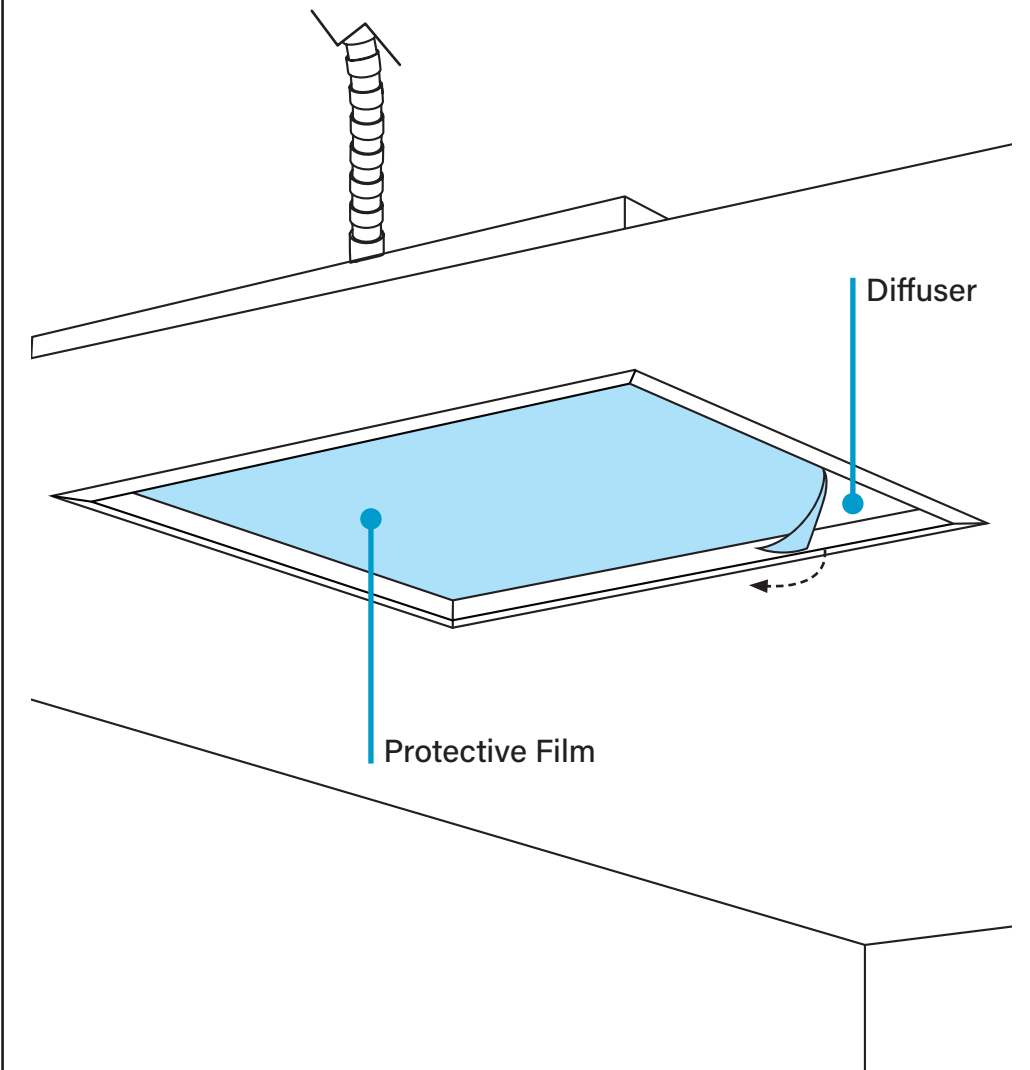
- Push diffuser upward.
- Secure luminaire to drywall frame with two #10 x 1" self-drilling screws on all four sides. Screws should be within 2" of the corner.
- Slide diffuser back in place.
- **NOTE: All self-drilling screws must be at least 1-3/4" from bottom of fixture. Do not overtighten screws.**

3'x3' & 4'x4'




- Push diffuser upward.
- Secure luminaire to drywall frame with three #10 x 1" self-drilling screws on all four sides into the dimpled locations.
- Slide diffuser back in place.
- **NOTE: Do not overtighten to structure to prevent flaring the housing. Flaring and damaging the housing could cause lens to not retain well.**

B. Final Step - Remove Protective Film Bottom-Up View



- Remove protective film carefully.
- Turn power on to luminaire.

 #10 x 1" Self-Drilling Screw
(by others)