

# HPT 2'x2', 3'x3', & 4'x4' Driver Replacement Instructions

## Overview

### NOTES

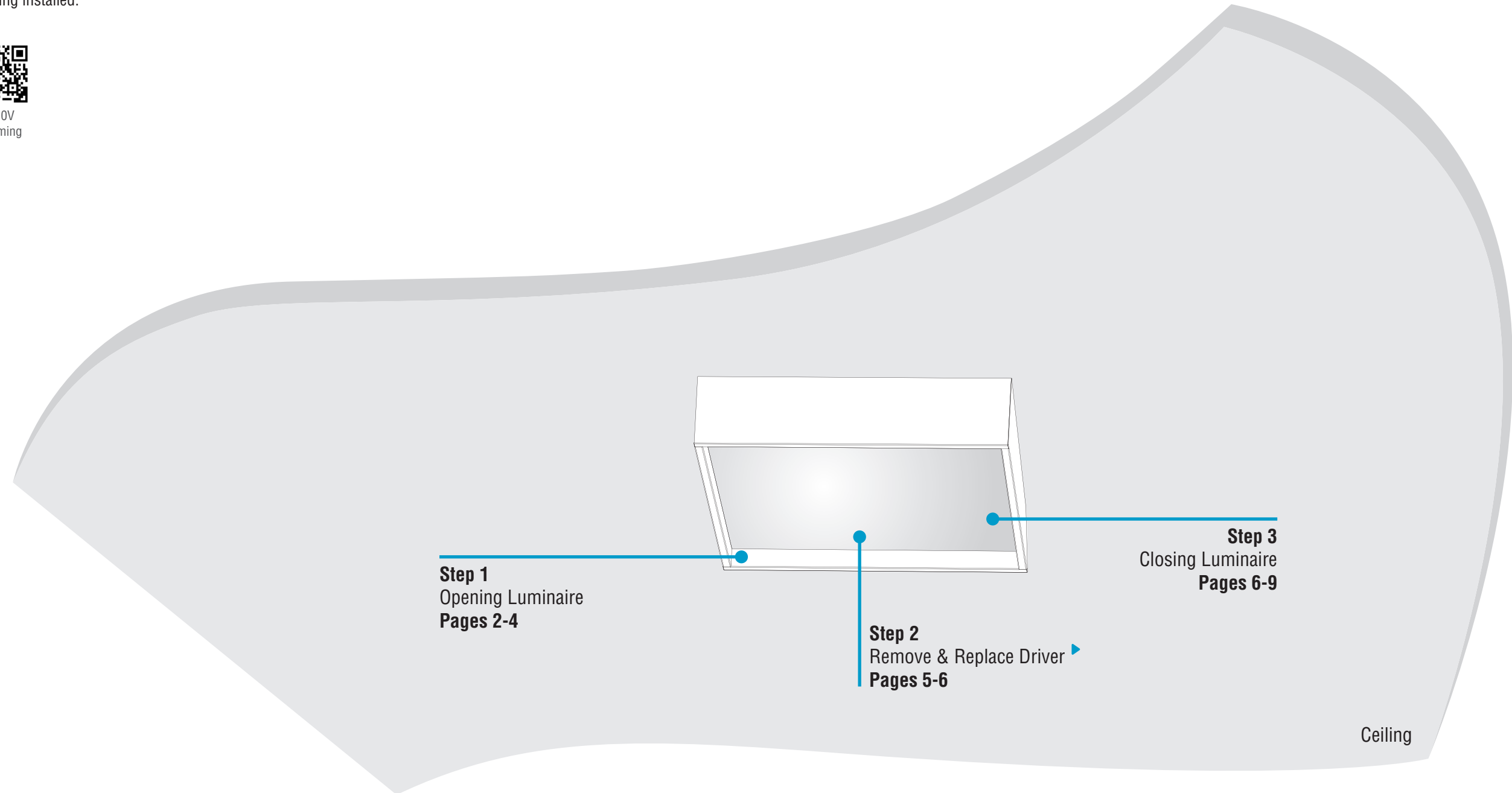
- All power connections should be installed according to local/national codes by a Certified Electrician.
- This installation requires **proper support** as each luminaire is being installed.



HELPFUL  
VIDEO



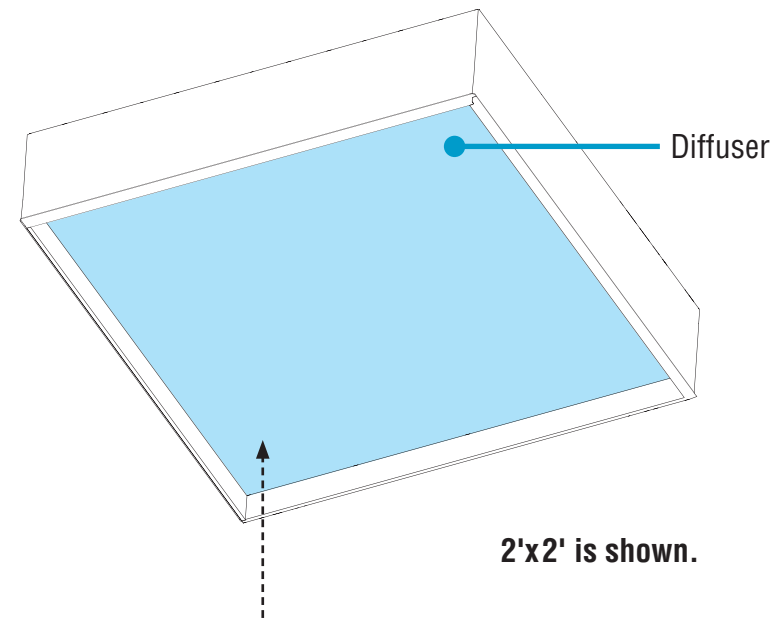
0-10V  
Dimming



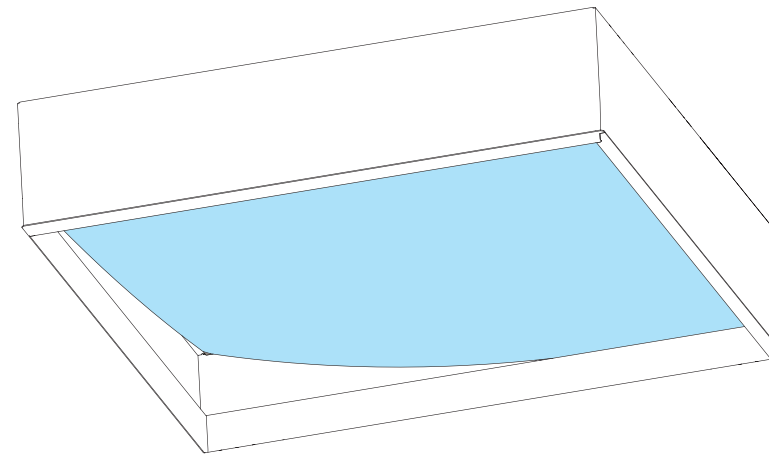
# HPT 2'x2', 3'x3', & 4'x4' Driver Replacement Instructions

## Step 1 - Opening Luminaire

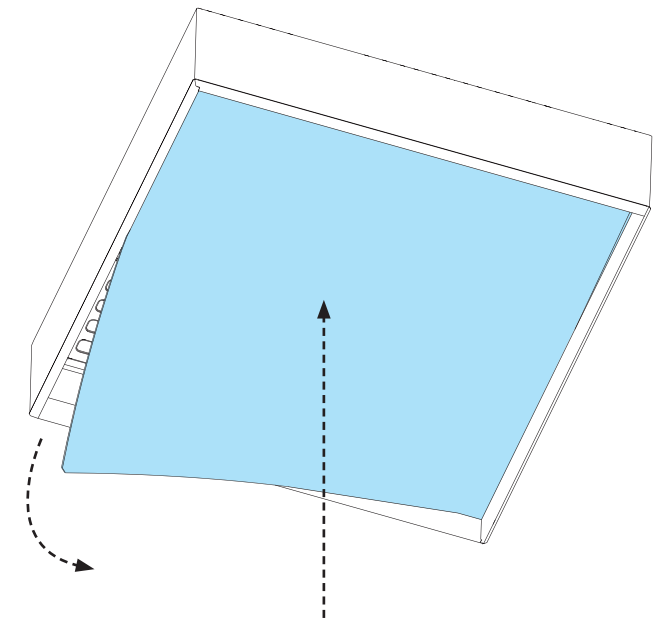
**A. Remove Diffuser** Bottom-Up View



- **CAUTION:** Wear gloves to keep diffuser surface clean.
- Turn power off to luminaire.
- Gently push any corner of the diffuser upward into the body.



- Once the diffuser is pushed up, grab the corner of the diffuser using your finger as a hook.



- Once the corner is hooked, gently press the center of the diffuser upward into the body. At the same time, pull the hooked corner out of the body as you gently bend the diffuser.
- Continue pulling from one corner to the next in order to dislodge the diffuser with a zipper-like motion until the diffuser is completely removed.
- Set aside all diffusers to prevent from getting dirty or damaged.
- Ensure diffuser can be clearly identified back to its corresponding luminaire.

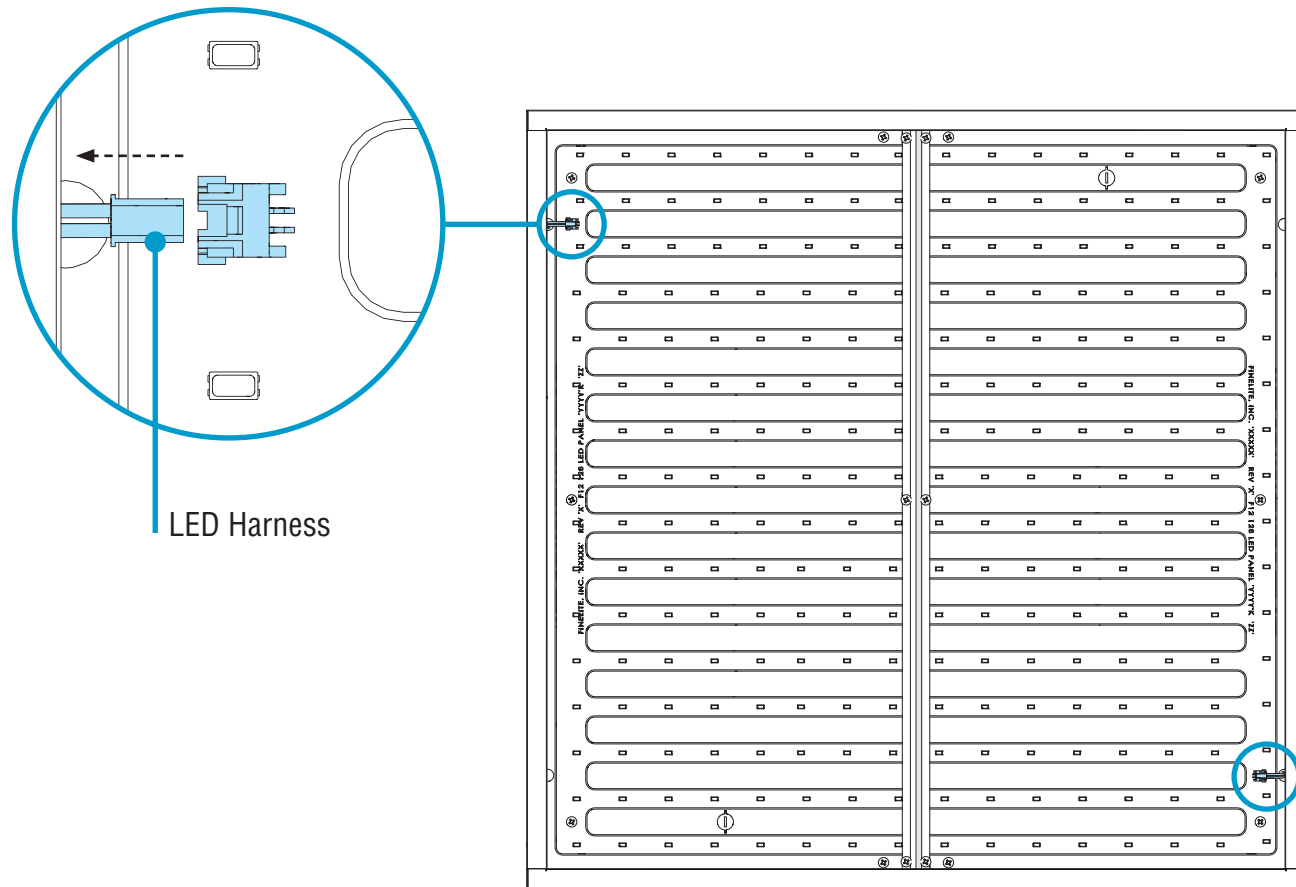
**CONTINUED**

# HPT 2'x2', 3'x3', & 4'x4' Driver Replacement Instructions

## Step 1 - Opening Luminaire

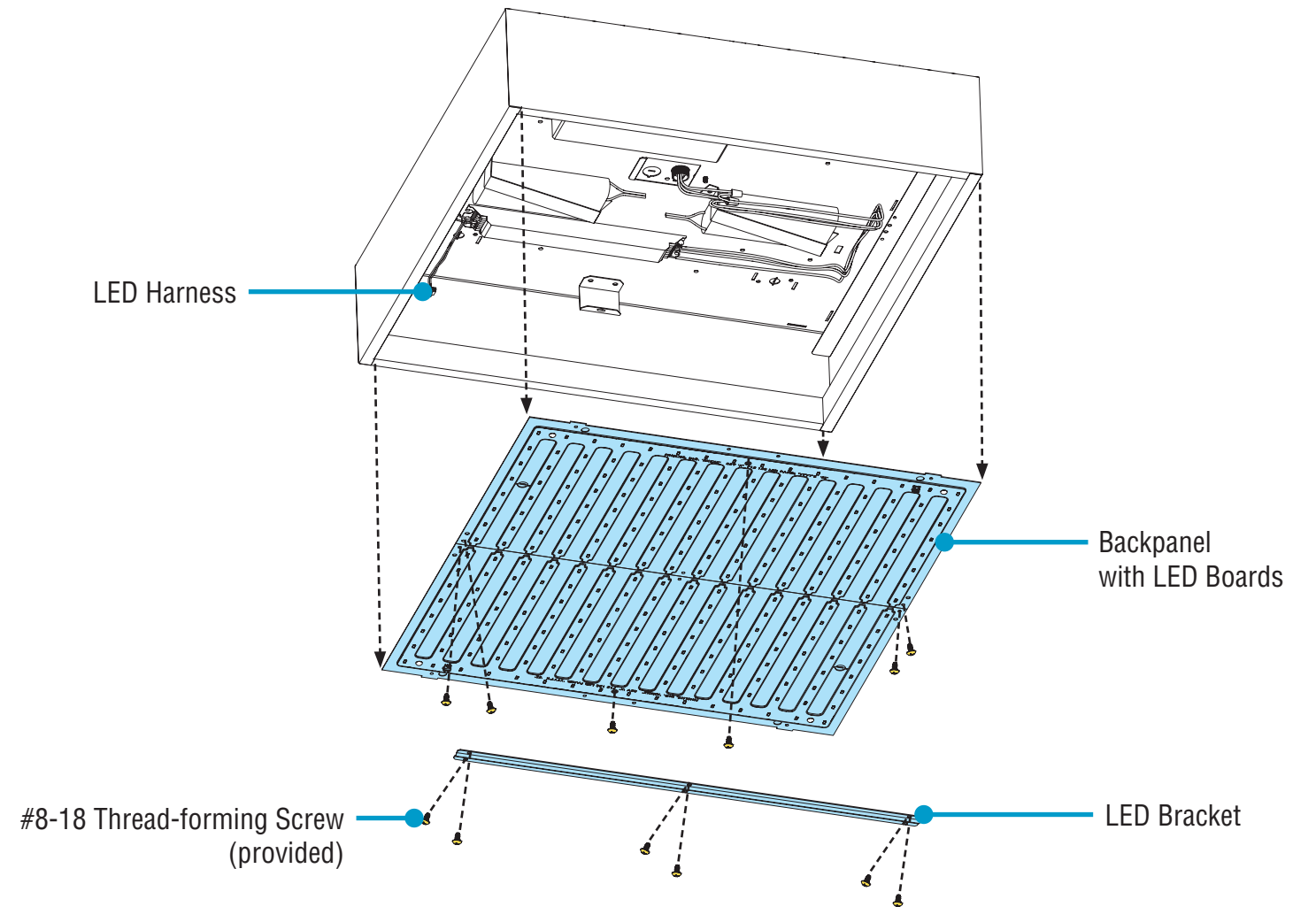
### B. Remove Backpanel

2'x2'



- Disconnect LED Harnesses.

2'x2'



- Remove backpanel with LED boards and LED bracket by removing the #8-18 thread-forming screws.

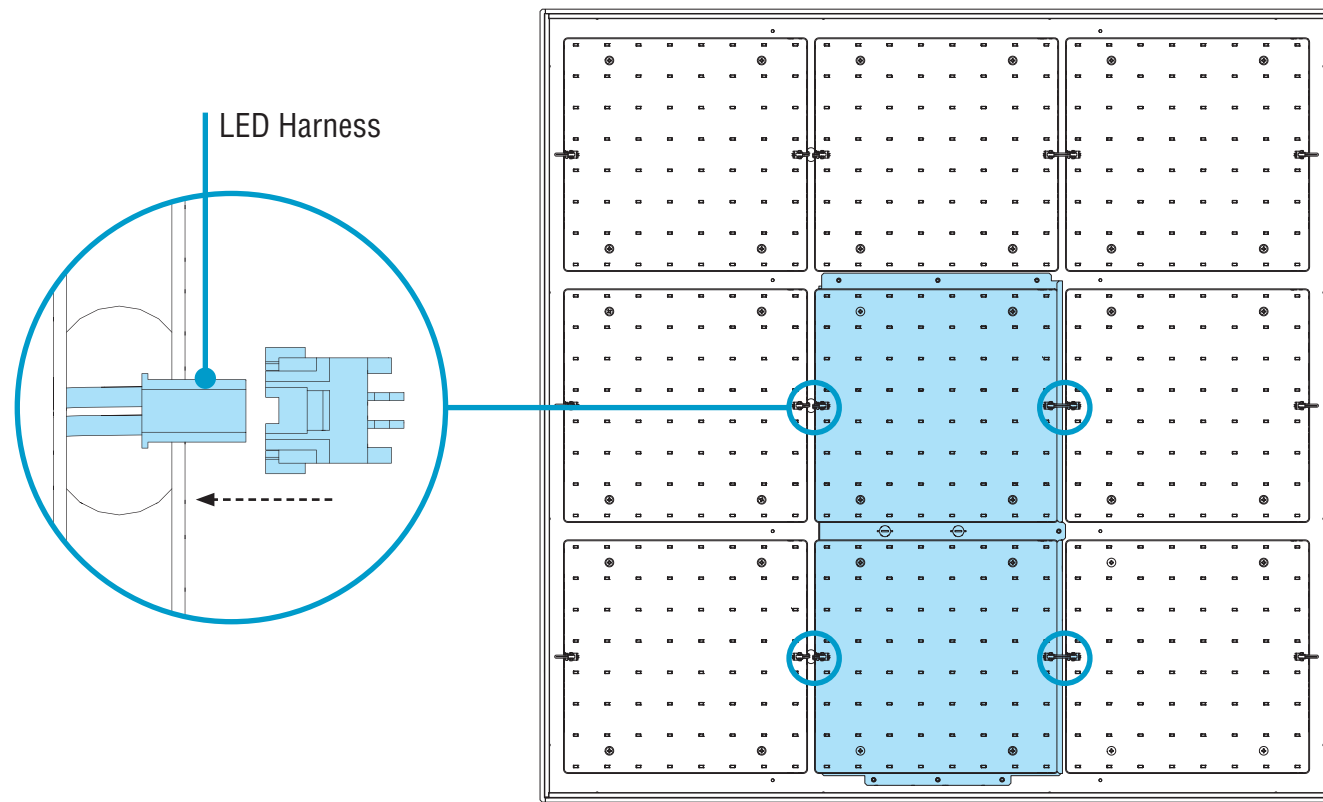
CONTINUED

# HPT 2'x2', 3'x3', & 4'x4' Driver Replacement Instructions

## Step 1 - Opening Luminaire

**B. Remove Backpanel - Continued** Bottom-Up View

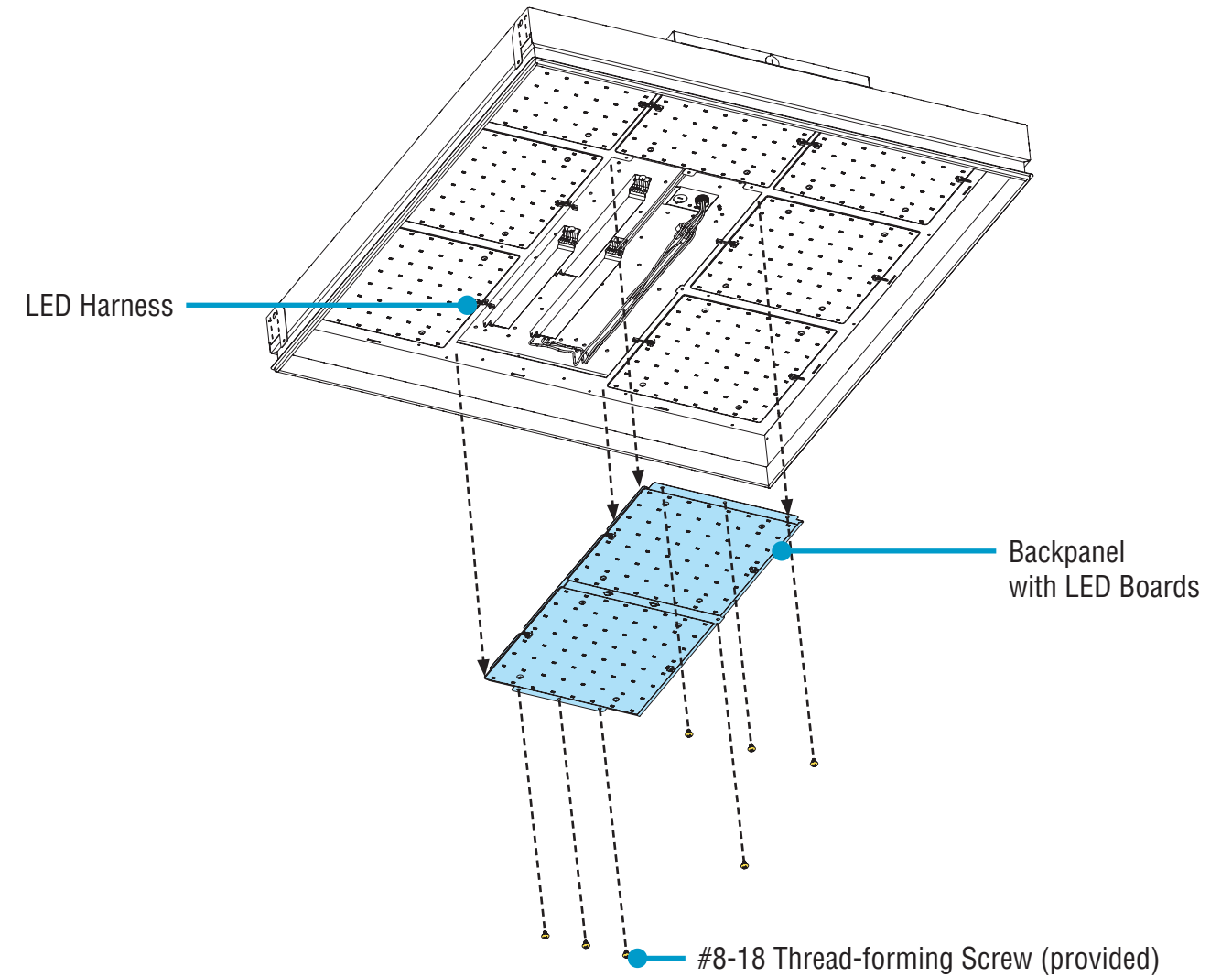
3'x3' & 4'x4'



3'x3' is shown.

- Disconnect LED Harnesses.

3'x3' & 4'x4'



- Remove backpanel with LED boards by removing the #8-18 thread-forming screws.

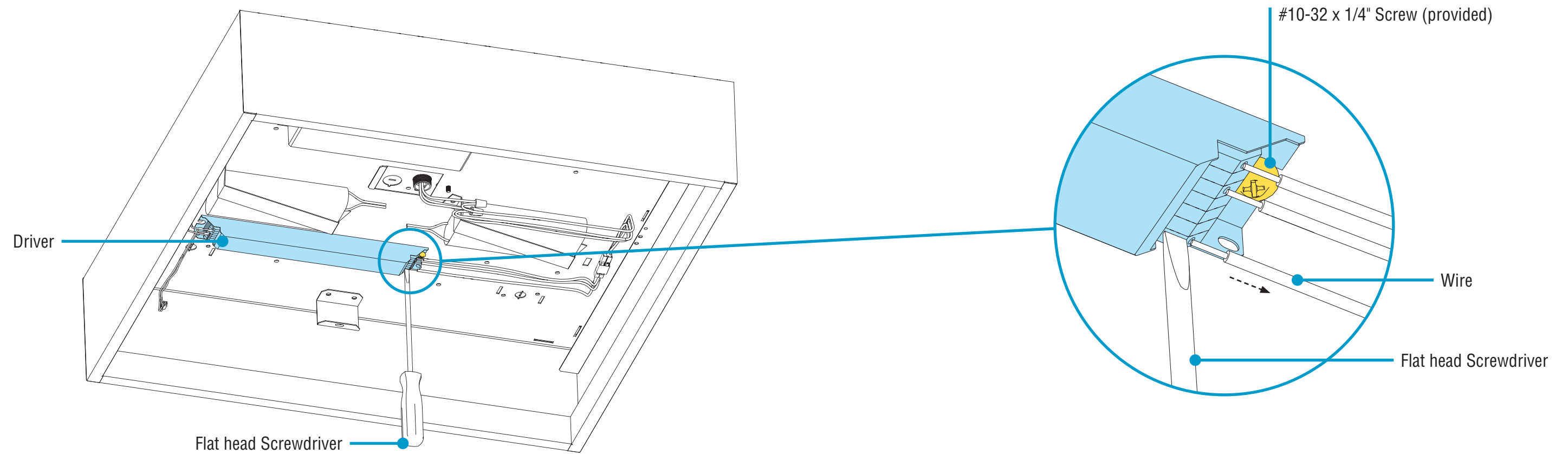
# HPT 2'x2', 3'x3', & 4'x4' Driver Replacement Instructions

## Step 2 - Remove & Replace Driver

**FINELITE**<sup>®</sup>  
*Better Lighting*

### Remove & Replace Driver Bottom-Up View

2'x2'



- Use flat head screwdriver to push connector head at each terminal to release wires from driver.
- Remove #10-32 x 1/4" screw from both ends of driver.
- Remove old driver and replace with new driver.
- Replace #10-32 x 1/4" screw at both ends of new driver.
- Use flat head screwdriver to push connector head at each terminal to reconnect wires to new driver.

CONTINUED



0-10V  
Dimming

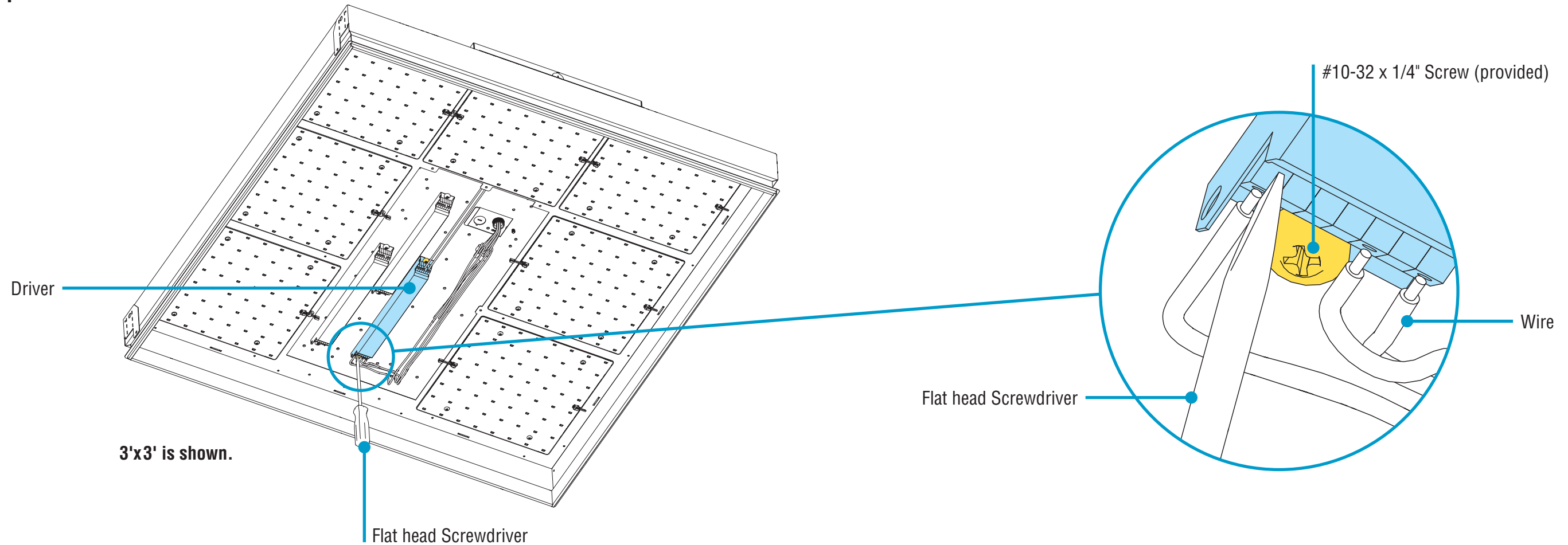
5 of 9

# HPT 2'x2', 3'x3', & 4'x4' Driver Replacement Instructions

## Step 2 - Remove & Replace Driver

**Remove & Replace Driver - Continued** Bottom-Up View

3'x3' & 4'x4'



- Use flat head screwdriver to push connector head at each terminal to release wires from driver.
- Remove #10-32 x 1/4" screw from both ends of driver.
- Remove old driver and replace with new driver.
- Replace #10-32 x 1/4" screw at both ends of new driver.
- Use flat head screwdriver to push connector head at each terminal to reconnect wires to new driver.
- **NOTE:** Repeat this step for each driver that needs to be replaced.



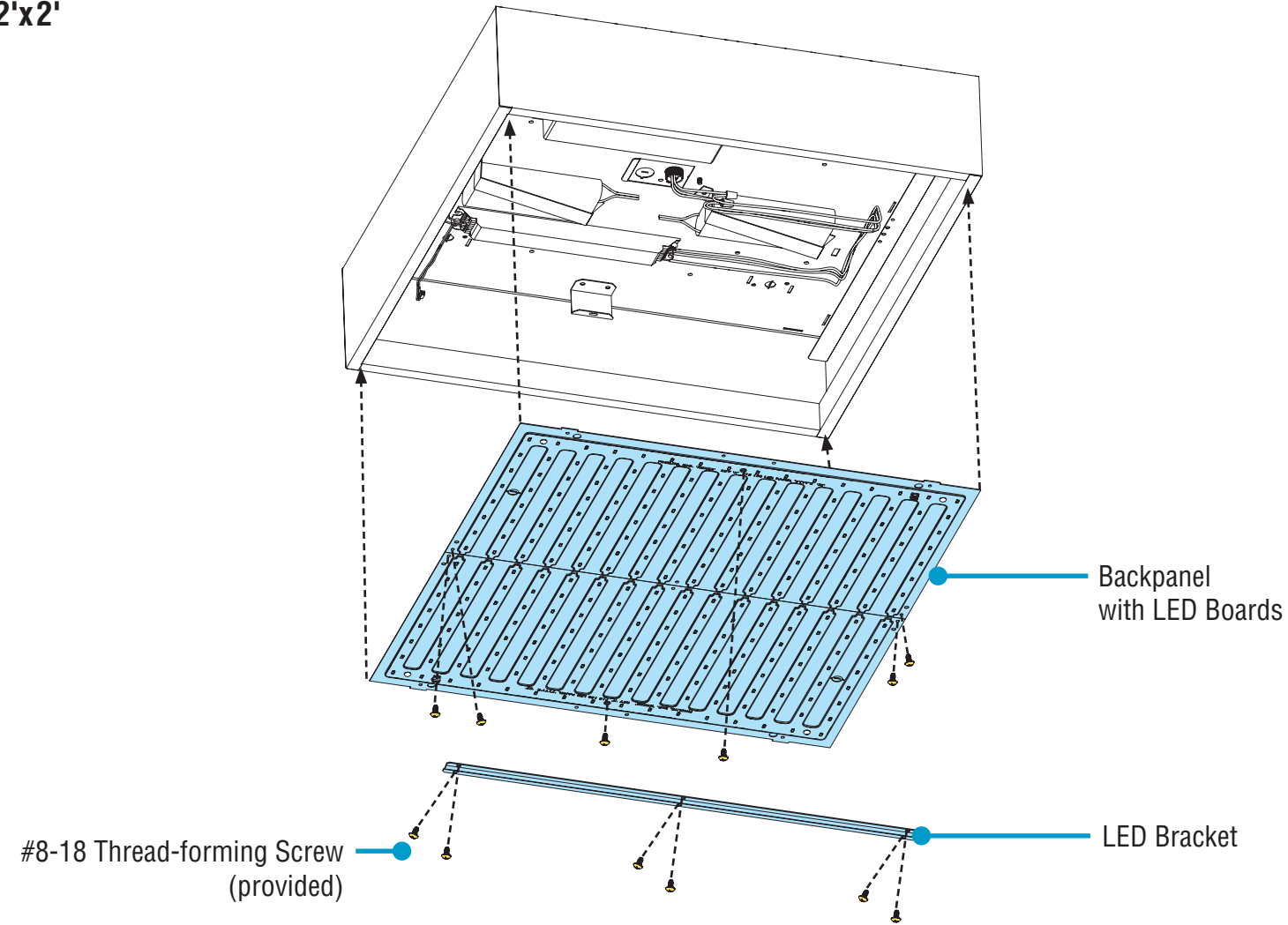
0-10V  
Dimming

# HPT 2'x2', 3'x3', & 4'x4' Driver Replacement Instructions

## Step 3 - Closing Luminaire

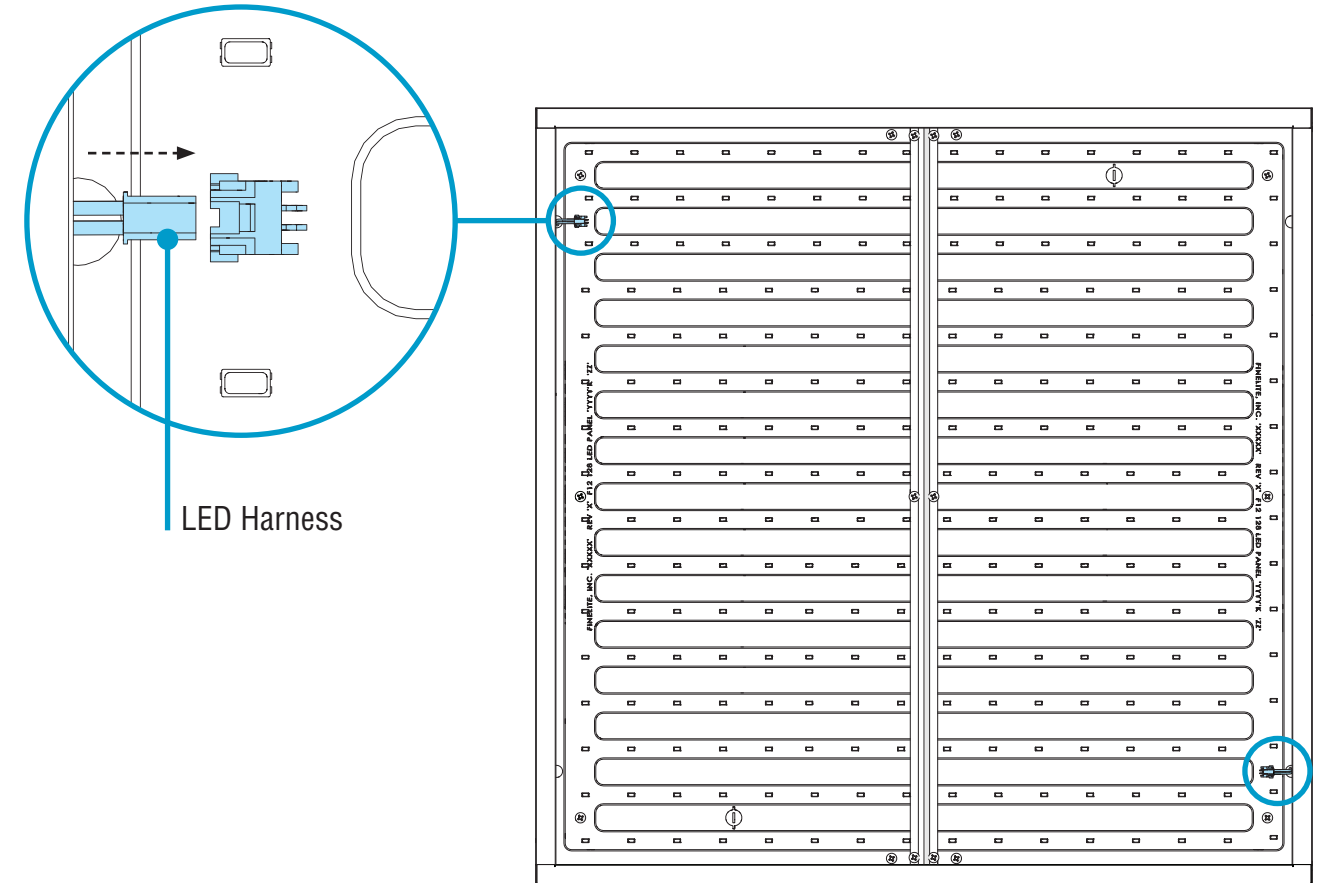
**A. Replace Backpanel** Bottom-Up View

2'x2'



- Replace backpanel with LED boards and LED bracket by replacing the #8-18 thread-forming screws.

2'x2'



- Reconnect LED Harnesses.

CONTINUED

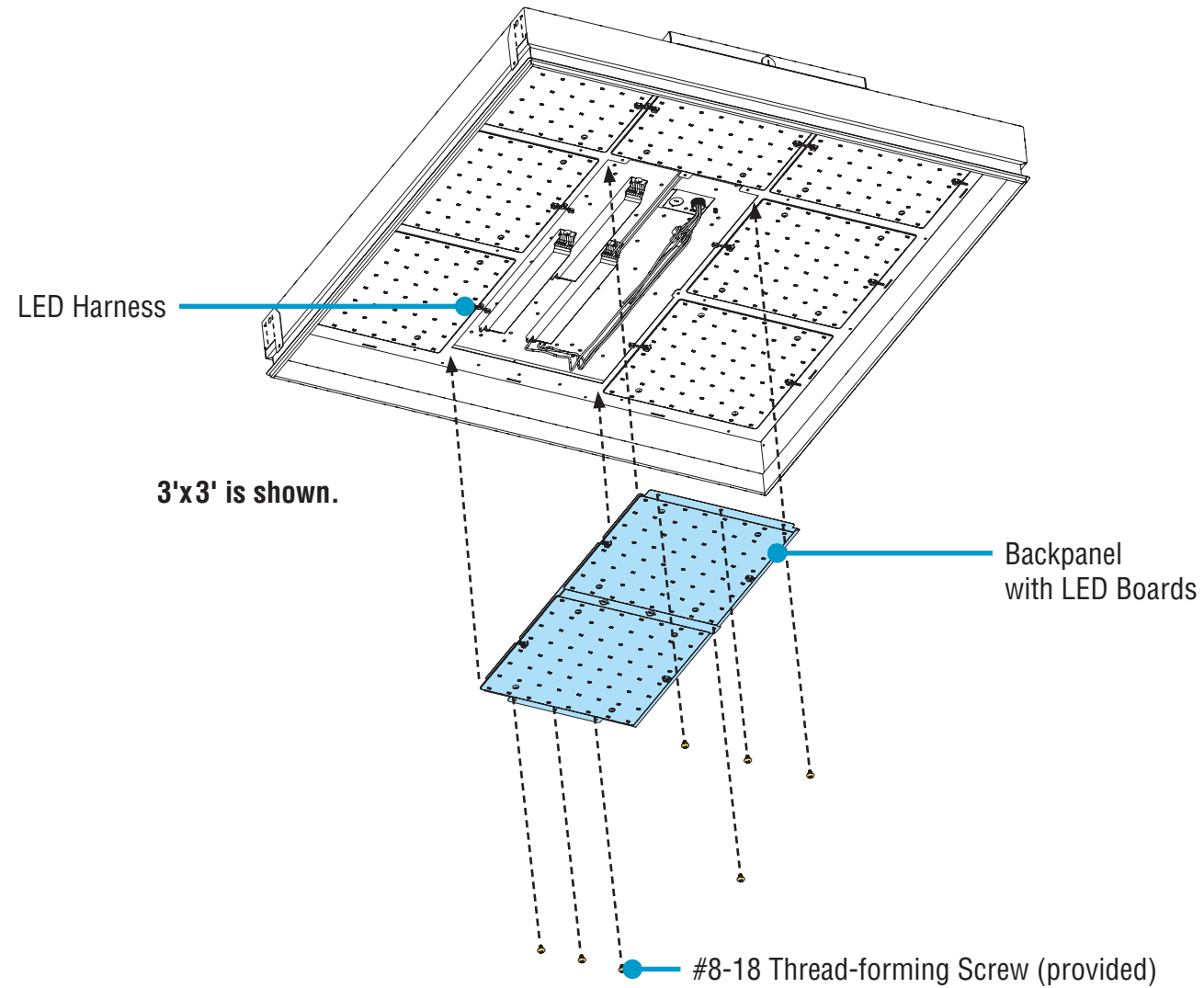


# HPT 2'x2', 3'x3', & 4'x4' Driver Replacement Instructions

## Step 3 - Closing Luminaire

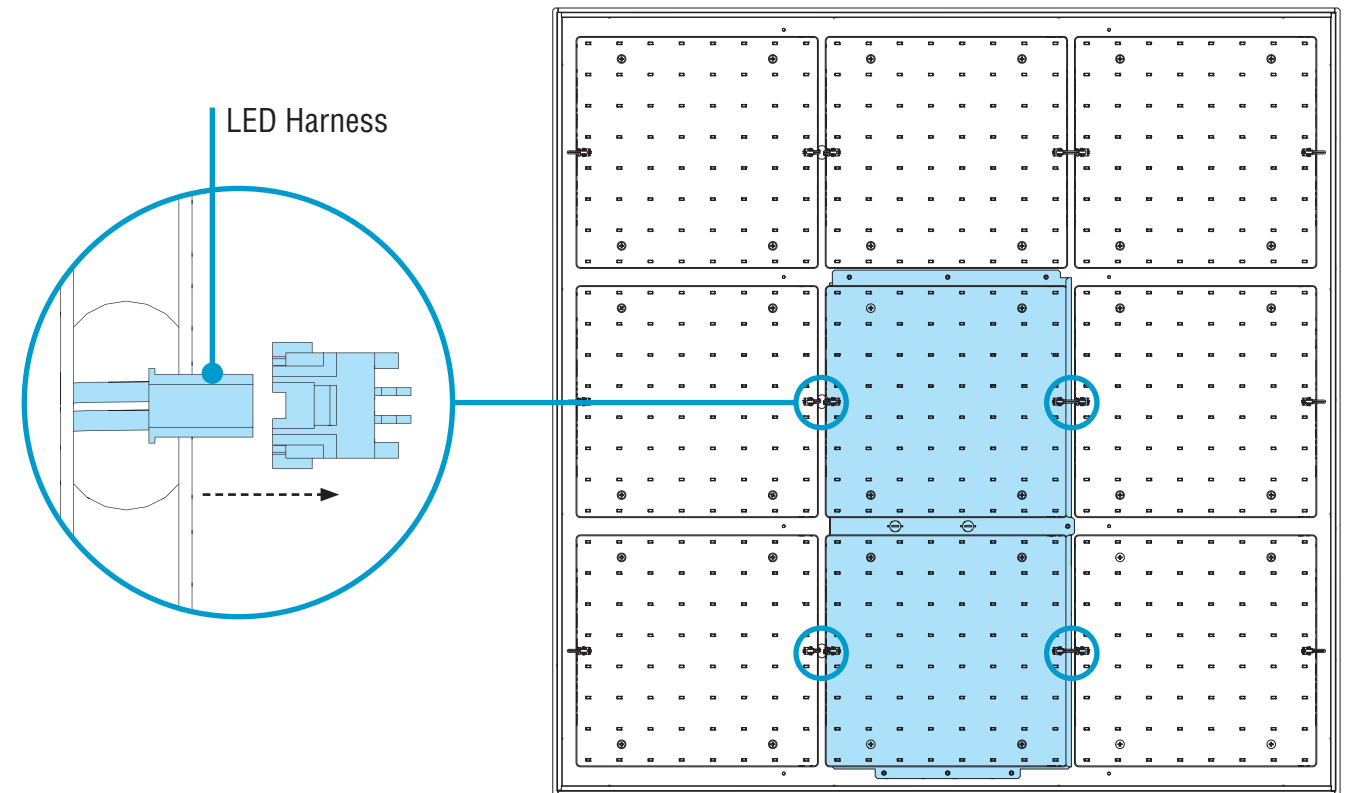
**A. Replace Backpanel - Continued** Bottom-Up View

3'x3' & 4'x4'



- Replace backpanel with LED boards by replacing the #8-18 thread-forming screws.

3'x3' & 4'x4'



- Reconnect LED Harnesses.

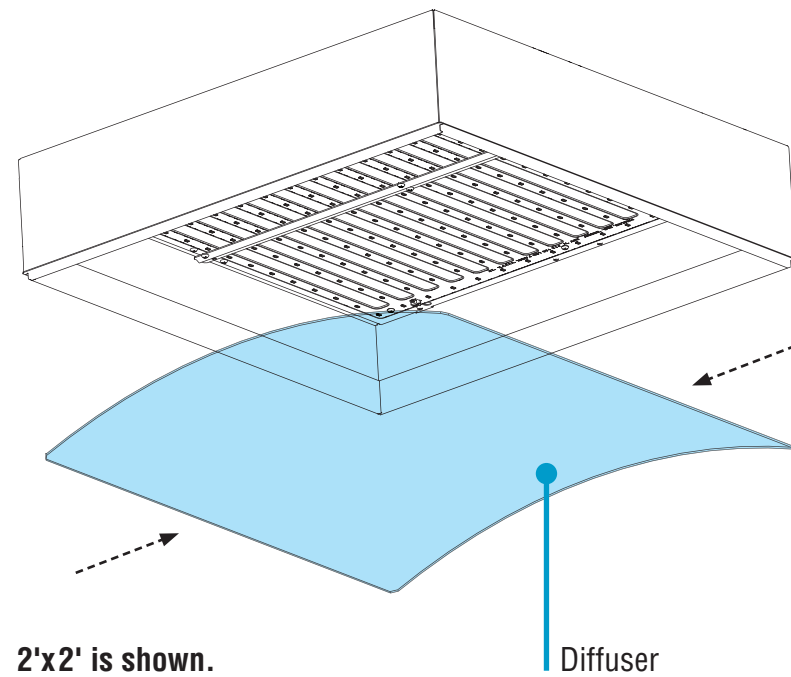
CONTINUED



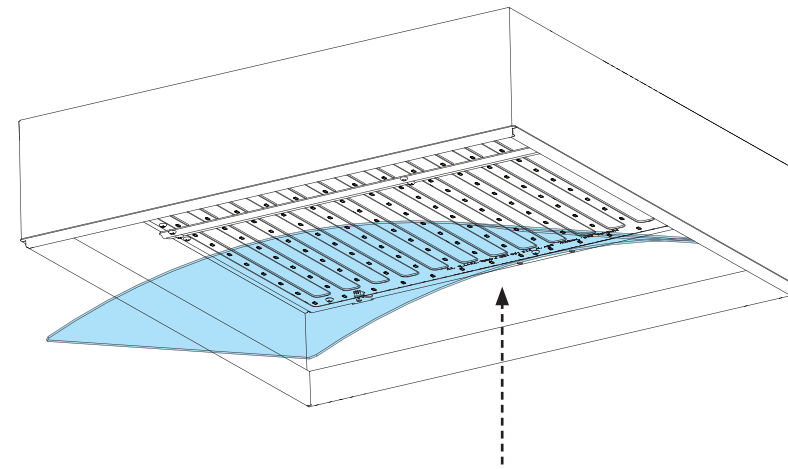
# HPT 2'x2', 3'x3', & 4'x4' Driver Replacement Instructions

## Step 3 - Closing Luminaire

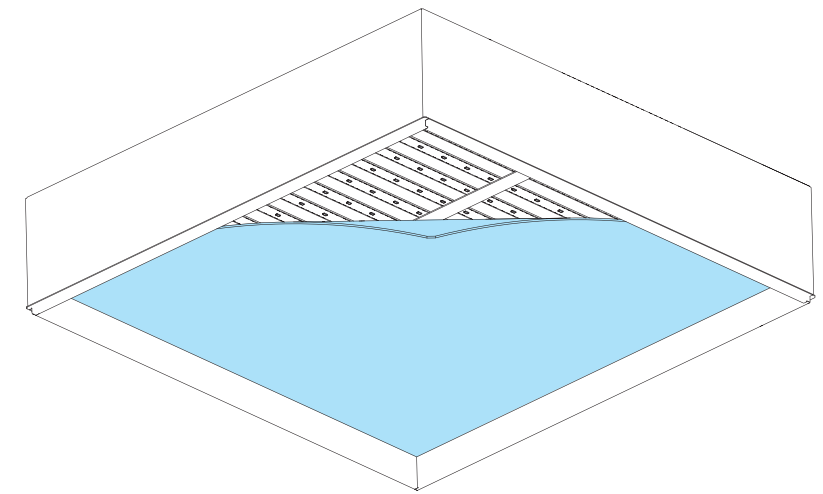
**B. Final Step - Replace Diffuser** Bottom-Up View



- **CAUTION:** Wear gloves to keep diffuser surface clean.
- **CRITICAL:** Be sure to install correct diffuser to its corresponding luminaire ID.
- Hold diffuser on either side as indicated by the arrows.
- Gently bend diffuser.



- Place one edge of the diffuser into the luminaire.
- Push the rest of the diffuser into the luminaire from one corner to the next.



- Push a corner into the luminaire and then work your way across diffuser to the next corner.
- Turn power on to luminaire.